

MONOGRAM 30" BUILT-IN ADVANTIUM® 240 ZSB9231NSS



THE MONOGRAM MINIMALIST COLLECTION
Streamlined design and precisely machined metals create a contemporary yet functional aesthetic

PRECISION COOKING MODES
Master new recipes and perfectly execute favorite dishes using this ultra-smart system that automatically tracks cooking progress, modifies temperatures and adjusts cook times

5-IN-1-OVEN
Experience exceptional flexibility and cooking results with this innovative five-in-one oven. Advantium® Technology enhanced, as a convection oven, toaster oven, warming/proofing oven, precision cook oven, and microwave

POWERFUL PERFORMANCE
Oven-quality foods cook up to eight times faster than a conventional oven, with no preheating required

SOPHISTICATED STYLING
Elegant design and clean lines offer a stylish, modern look that complements the rest of the Monogram kitchen

SPACIOUS INTERIOR
Generous, 1.7-cu.-ft oven space with a large 16" turntable allows for full rotation of a 9" x 13" casserole dish; plus the removable oven rack offers the convenience of multi-level cooking

PREPROGRAMMED RECIPES
Provide quick and easy programming of over 175 pre-set food selections and allows programming of up to 30 custom recipes

INSTALLATION FLEXIBILITY
Ovens can be installed in 30" wall cabinet

LCD CONTROLS
Allow you to adjust oven settings with little effort

STORAGE DRAWER
For 30" 5-In-1 Ovens - UXB903SNSS



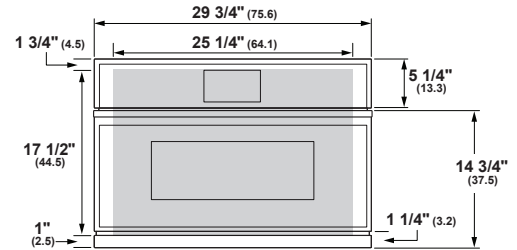
SPECIFICATIONS

Overall Width	29 3/4" (75.6)
Overall Height	20 1/4" (51.4)
Overall Depth (includes control panel thickness)	22 7/8" (58.1)
Oven Door Clearance	13 1/4" (33.7)
Overall Oven Interior Capacity	1.7 cu. ft.
Oven Interior Dimensions (W x H x D)	20 1/16" x 8 1/2" x 17" (51 cm x 21.6 cm x 43.2 cm)
Minimum Cabinet Width	30" (76.2)
Minimum Cabinet Depth	23 1/2" (59.7)
Minimum Base Support	130 lbs (59 kg)
Cutout Width	25 1/4" (64.1)
Cutout Height	17 1/2" (44.5)
Cutout Depth	23 1/2" (59.7)
Voltz/Hertz/Amps	240/208 VAC, 60 Hz, 30A
Power Cord Length	48" (121.9)
Electrical Rating	4.72 kW at 208V 6.3 kW at 240V
Total Amps	30A
Shipping Weight	92 lbs (41.7 kg)

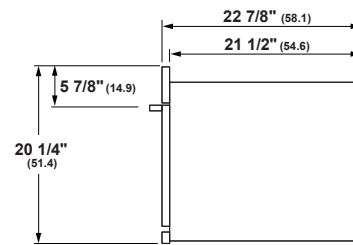
ATTENTION ELECTRICIAN:

A 240/208V, 60Hz, 30 Amp circuit is required. An individual properly grounded branch circuit or circuit breaker is required. Hardware junction box is required for built-in product.

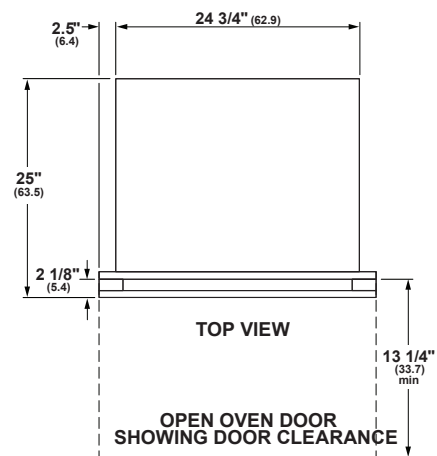
OVERALL DIMENSIONS



FRONT VIEW (SHOWING CUTOUT OVERLAP)



SIDE VIEW

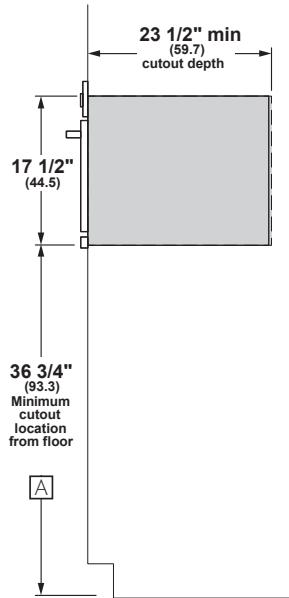


TOP VIEW

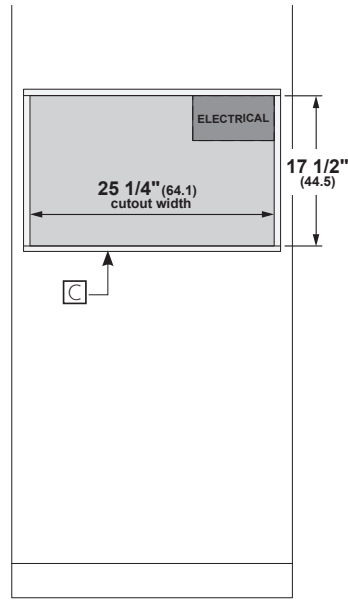
OPEN OVEN DOOR
SHOWING DOOR CLEARANCE

Dimensions in parentheses are in centimeters unless otherwise noted. Actual product dimensions may vary due to manufacturing tolerances.

WALL INSTALLATION



STANDARD
INSTALLATION



STANDARD INSTALLATION
FRONT VIEW

HELPFUL TIPS

- A Based on a user height of 5' 6" to 5' 10"
- B Junction box location (May also be located in adjacent cabinet.)
- C Platform must be able to support cabinet load, weight of oven, and additional oven loads

For more details, refer to the installation instructions for this product on Monogram.com. Dimensions in parentheses are in centimeters unless otherwise noted.