

# BFTF2716SSIME



28" Top Mount Stainless Steel with Ice Maker and EverFresh+



## GENERAL PROPERTIES

Cooling System	NeoFrost Dual Cooling Technology
Control System	Electronic Controls
Finish	Stainless Steel - Coated Finish for Easy to Clean
Field Reversible Door	Yes
Type	Freestanding

## CAPACITY

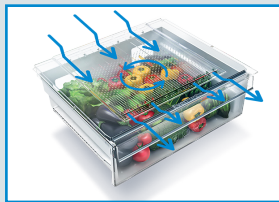
Total Net Volume	13.53 cu. ft.
Fresh Food Net Volume	10.10 cu. ft.
Freezer Net Volume	3.43 cu. ft.

## PERFORMANCE

Fresh Food Temperature Range*	33° F to 46° F
Freezer Temperature Range*	-11° F to 0° F
Freeze Guard	Works in Temperatures between 23° F and 110° F
Modes	On/Off Power, On/Off Icemaker, Temperature Control, Vacation, Economy
ENERGY STAR® Certified	Yes
Annual Energy Consumption	326 kWh/year

\*Actual temperatures may vary upon different options.

## PREMIUM TECHNOLOGY



### EVERFRESH+™ WITH ACTIVE FRESH BLUE LIGHT

Our EverFresh+ with Active Fresh Blue Light technology keeps fresh food fresher three times longer than the average refrigerator – for up to 30 days! Our technology retains vitamins and nutrients that simulates natural lighting conditions, extending the photosynthesis process of fruits and vegetables in your refrigerator.



### NEOFROST DUAL COOLING TECHNOLOGY™

NeoFrost™ Dual Cooling's separate cooling systems for each compartment maintain ideal air flow and optimal temperatures with a high level of humidity in both the freezer and the fridge.



### FREEZE GUARD

Beko freezers will work in ambient temperatures between 23°F and 110°F without any loss of performance at any pre-set temperature of the unit, thanks to effective usage of inverter compressor and electronic control technology.

# BFTF2716SSIME



## 28" Top Mount Stainless Steel with Ice Maker and EverFresh+

FRESH FOOD	
EverFresh+	Yes
Active Fresh Blue Light	Yes
Electronic Control Display Type	Digital Inner Display
Auto Defrost	Yes
Interior Illumination	LED- Side Walls
Shelves	3 - Full-depth Glass Shelves
Crispers	1 - Humidity Controlled
Deli Drawer	1
Door Shelves	3
Compressor	Variable Speed VCC

FREEZER	
Automatic Ice Maker	Up to 2.2 lbs. a day
Interior Illumination	Yes
Auto Defrost	Yes
Door Racks	2

TECHNICAL INFORMATION	
Required Power Supply	120 V / 60 Hz
Rated Current	1.25 A
Noise Level	38 dBA
Refrigerant	R600a
Plug Type	NEMA 3-Prong
Power Cord Length	6 ft.

DIMENSIONS	
H x W x D (in)	67 <sup>3</sup> / <sub>4</sub> x 27 <sup>1</sup> / <sub>2</sub> x 26 <sup>3</sup> / <sub>8</sub>
H x W x D (mm)	1720 x 700 x 597
Height with Hinge Cap (in)	68 <sup>7</sup> / <sub>8</sub>
Width (in)	27 <sup>1</sup> / <sub>2</sub>
Depth without Door (in)	21 <sup>11</sup> / <sub>16</sub>
Product Weight (lbs)	147.71
Product Weight (kg)	67
Packed Weight (lbs)	165.35
Packed Weight (kg)	75

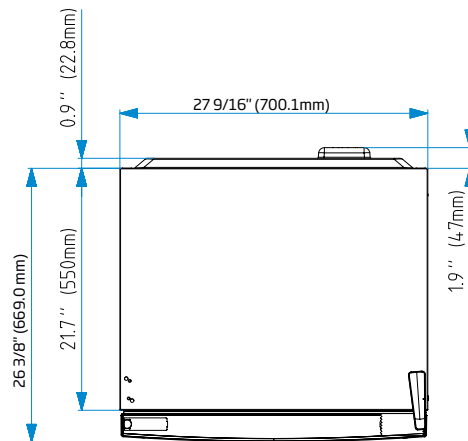
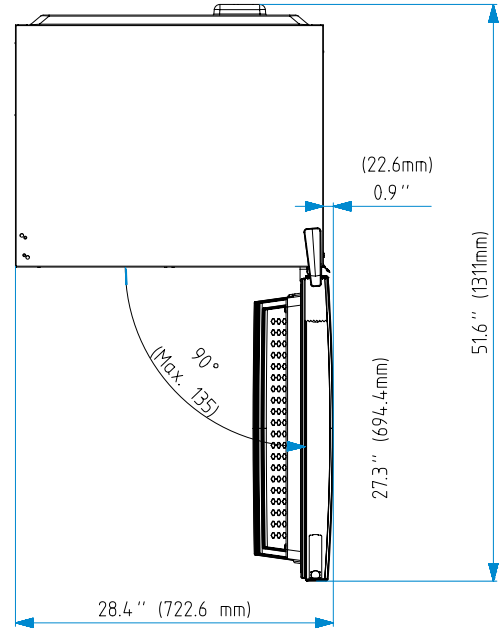
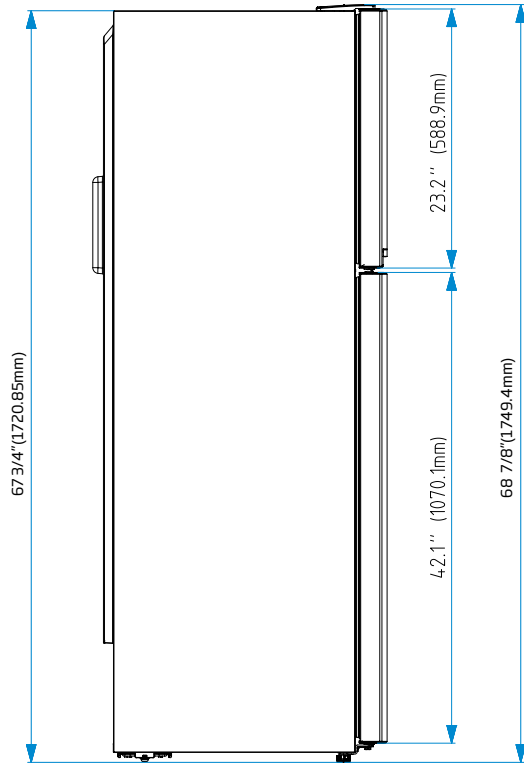
ACCESSORIES	
Water Filter	No

WARRANTY	
All Products	2 -year Full Warranty
Sealed System Parts Only	5-year Warranty
ProSmart Inverter Motor	10-year Warranty – parts only

# BFTF2716SSIME



28" Top Mount Stainless Steel with Ice Maker and EverFresh+



NOTE TO THE INSTALLER: All height, width, and depth dimensions are shown in inches (as well as metric). Beko U.S., Inc. reserves the absolute and unrestricted right to change product materials and specifications, at any time, without notice. Please visit our website, [www.BekoAppliances.com](http://www.BekoAppliances.com), or call 888.352.2356 to verify the latest specifications with final dimensional data and other details prior to installation and making a cutout. Applicable product limited warranty information may be found in accompanying product materials, or you may contact your account manager for further details. Proper installation is the responsibility of the installer. Product failure due to improper installation is not covered under the Limited Warranty.