

Dual Fuel Range, 48", 5 Burners with Griddle, Self-cleaning

Series 9 | Professional

Stainless Steel with Black Glass | Natural gas



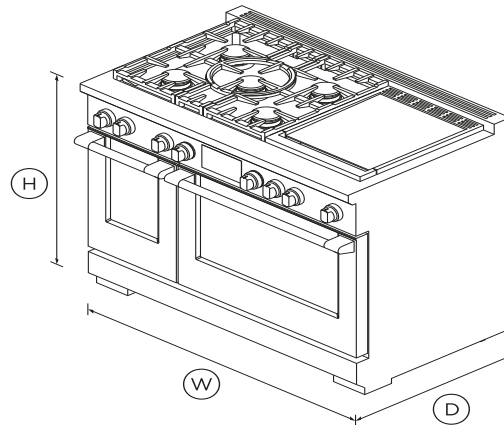
With intuitive touchscreen and specialized cooking functions across two ovens, this range is a stand-out addition to your kitchen.

- Guided cooking using your touchscreen makes it simple to cook by food, function or recipe.
- Gas cooktop with griddle and a top burner heat up to 23,000 BTU, for seriously fast boiling
- 6.9 cu ft total oven capacity across two oven cavities

- Ensure perfect results with the food probe, included

DIMENSIONS

Height	35 ³ / ₄ - 36 ³ / ₄ "
Width	47 ⁷ / ₈ "
Depth	29 ¹ / ₈ "



FEATURES & BENEFITS

Cook with confidence

Our touchscreen interface provides an intuitive guided cooking experience that helps deliver perfect results, whether you've been cooking all your life or just starting out. Cook with a favorite method, a hero ingredient, or a go-to cooking function or recipe. The screen tilts for improved ergonomics and optimal visibility while cooking.

SPECIFICATIONS

Accessories

Square handle option	AH-R48
----------------------	--------

Capacity

Total capacity	6.9cu ft
----------------	----------

Cleaning

- Dishwasher proof trivets
- Pyrolytic self-clean

Controls

- High resolution display
- Metal illuminated dials
- Sabbath mode

Gas requirements

Fitting and pipe	½ NPT, min. ⅝" Ø flex
Supply Pressure (natural gas)	6" to 9" W.C

Main oven features

- Bake
- Clean
- Convection Bake
- Convection Broil
- Large broil pan
- Main oven- Self cleaning
- Main oven- True convection

Number of main oven functions **15**

Oven features

Electronic oven control •
 Full extension telescopic **2**
 Internal light •
 Pyrolytic self-clean •

Oven functions

Pyrolytic self-clean •

Oven performance

Main Oven Shelf Positions **5**
 Main Oven Total Capacity **4.8cu ft**
 Main Oven Usable Capacity **3.8cu ft**
 Main oven- Bake **4600W**
 Main oven- Broil **4000W**
 Main oven- True convection **2500W**
 Secondary Oven- Bake **2450W**
 Secondary Oven- Broil **3600W**
 Secondary Oven- Capacity **2.1cu ft**
 Secondary Oven- Capacity **1.8cu ft**
 Secondary Oven- Shelf **5**

Power requirements

Electric circuit **4 wire**
 Rated current **50A**
 Supply frequency **60Hz**
 Supply voltage **120 - 240V**

Product dimensions

Depth **29 1/8 "**
 Depth (Excluding handles) **29 1/8 "**
 Height **35 3/4 - 36 3/4 "**
 Height (excluding vent trim) **35 3/4 - 36 3/4 "**
 Width **47 7/8 "**

Rangetop features

Sealed Dual Flow Burners™ **5**
 Sealed range top •
 Simmer on all burners **140°F**
 Vent trim included **Flat vent trim**

Rangetop Performance

Max burner power **23500BTU**
 Power back left **18500BTU**
 Power back right **18500BTU**
 Power centre **23500BTU**
 Power front left **18500BTU**
 Power front right **18500BTU**
 Power griddle **24000BTU**
 Total cooktop power **121500BTU**

Secondary Oven features

Bake •
 Convection Bake •
 Convection Broil •
 Secondary oven functions **11**

Warranty

Parts and labor **Limited 2 Years Parts & Labor**

SKU **81894**

The product dimensions and specifications in this page apply to the specific product and model. Under our policy of continuous improvement, these dimensions and specifications may change at any time. You should therefore check with Fisher & Paykel's Customer Care Centre to ensure this page correctly describes the model currently available. Â© Fisher & Paykel Appliances Ltd 2019.



A PEACE OF MIND SALE

24 Hours 7 Days a Week Customer Support

T 1300 650 590 W www.fisherpaykel.com