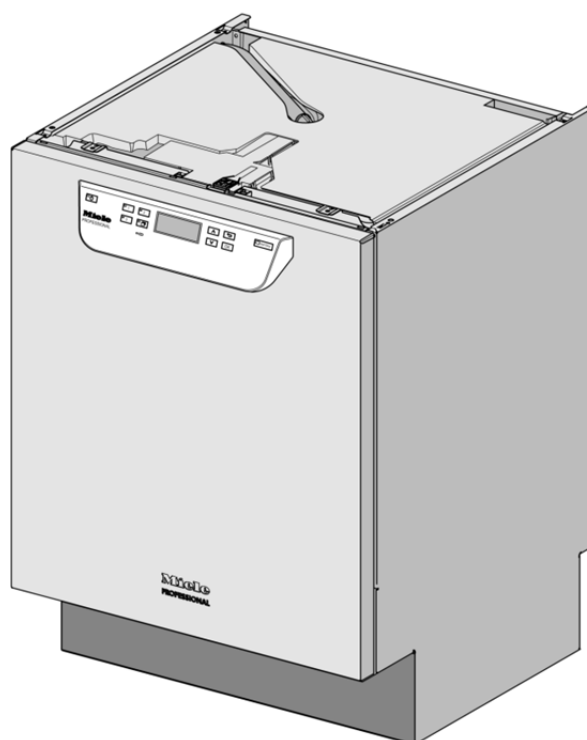


## Installation Plan



## Professional Dishwasher

PG 8056

Mat. no.: 10 251 400

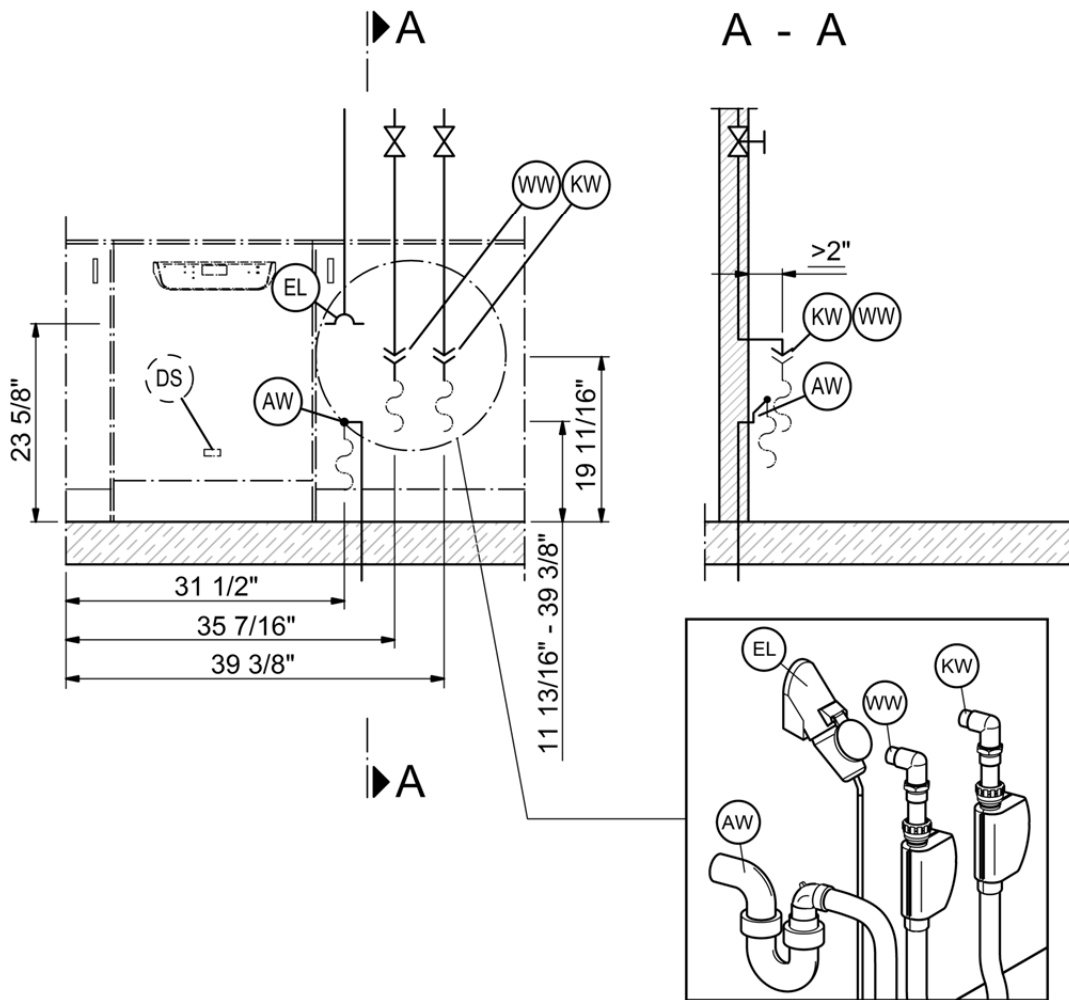
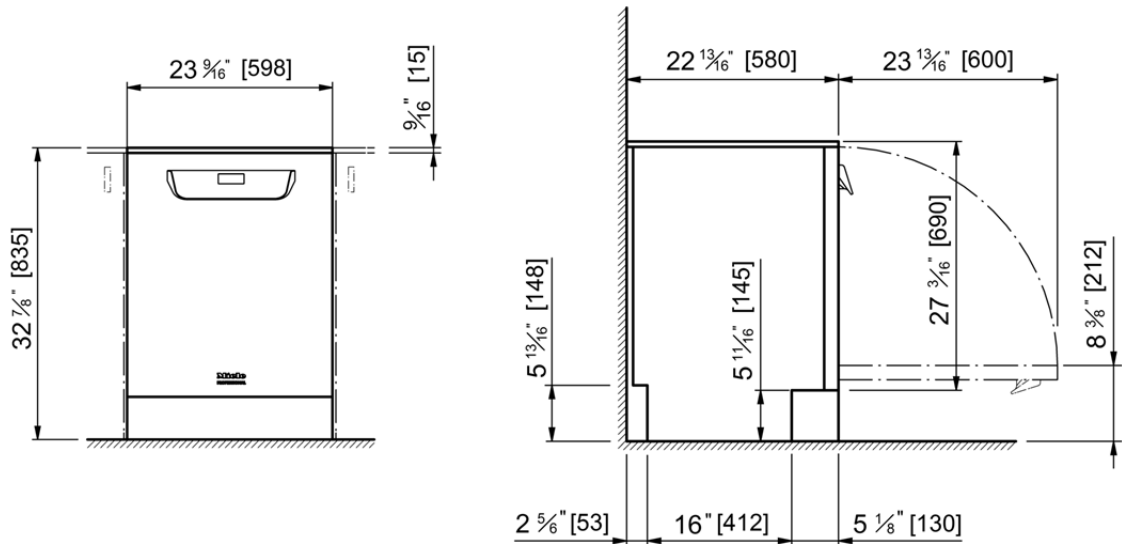
**en - US**

## Installation instruction



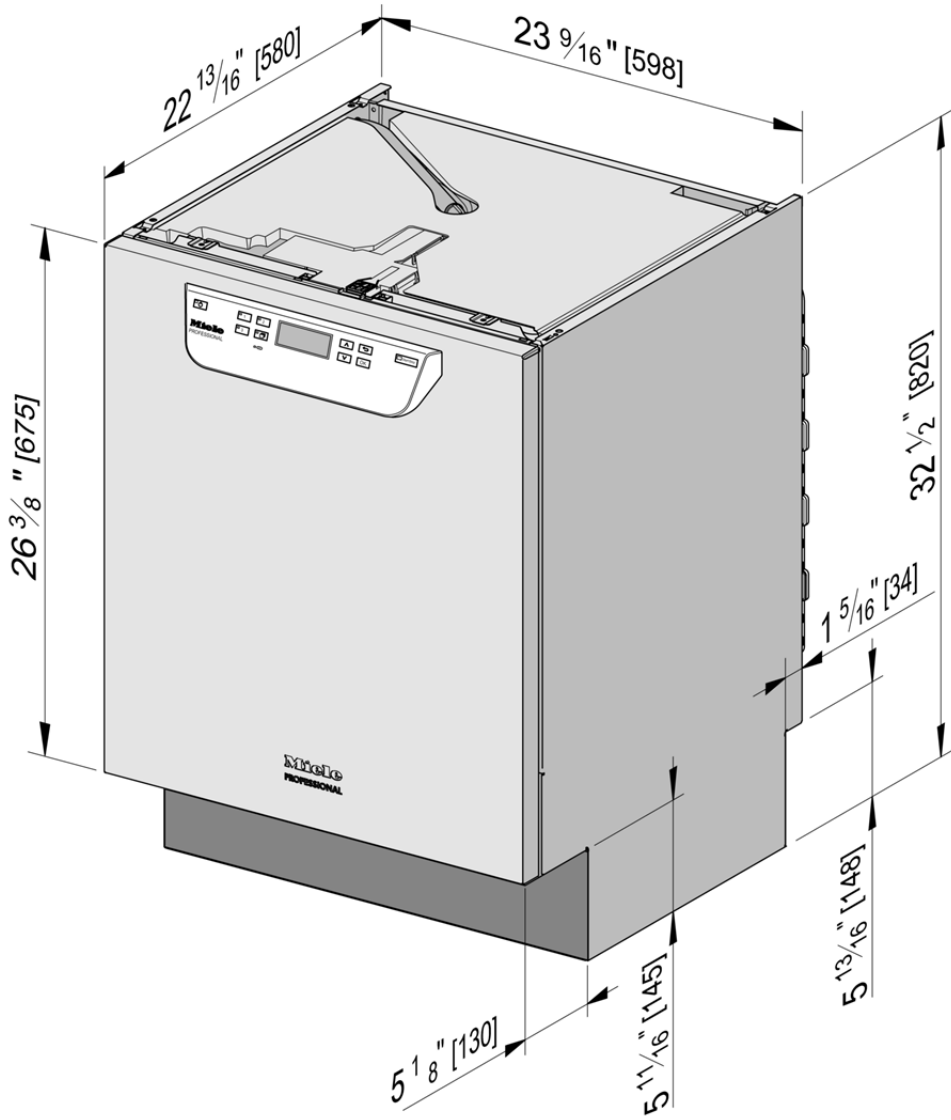
**Observe installation instructions when installing machine.  
This dishwasher is suitable for residential and commercial use.**

<b>Installation</b>	Installation should only be carried out by authorized installers in accordance with valid regulations, relevant standards and health and safety codes!
<b>Condensate</b>	Only use commercial grade cabinetry in the vicinity of this dishwasher as condensate may otherwise cause damage.
<b>Machine feet</b>	To ensure stability install the included floor bracket BBF-80 (Installation Instructions Mat.no.: 09788890)
<b>Electrical connection</b>	<p>It is recommended to make electrical connection via a plug and socket so that electrical safety checks can be carried out easily. The socket must be accessible after machine installation.</p> <p>With a fixed installation, this must be via a main switch to be provided on site, which must completely isolate the machine from the power supply with a contact gap of at least 1/8" (3 mm).</p> <p>If necessary, an equipotential bond with good contact connection must be provided in accordance with all appropriate national and local regulations.</p> <p>Protection class IP21</p>
<b>Non-return device</b>	Connection to a drinking water supply is permitted without an additional non-return device.
<b>External dosing system (optional)</b>	Connect up to two dosing systems at the rear panel for liquid cleaning agent and rinse aid.



Dimensions in drawings in inches & [mm]

EL	Electrical connection	WW	Hot water
KW	Cold water	AW	Drain water
DS	External dosing connection (optional)		



Dimensions in drawings in inches & [mm]

## Electrical connection (208 V)

Voltage <b>(default)</b>	2 AC 208V 60 Hz	2 AC 208V 60 Hz
Rated load	5.8 kW	5.8 kW
Fuse rating	2 × 30 A	2 × 30 A
Minimum cross-section	3 × AWG 10	3 × 5.2 mm <sup>2</sup>
Length of electrical cord (UL 921) with plug	approx. 5' 7"	approx. 1.7 m
Electrical connection	NEMA L6-30	NEMA L6-30

Voltage <b>(convertible)</b>	3 AC 208V 60 Hz	3 AC 208V 60 Hz
Rated load	5.8 kW	5.8 kW
Fuse rating	3 × 20 A	3 × 20 A
Minimum cross-section	4 × AWG 12	4 × 3.3 mm <sup>2</sup>
Length of electrical cord (UL 921) with plug	approx. 5' 7"	approx. 1.7 m
Electrical connection	NEMA L15-20	NEMA L15-20

## Electrical connection (240 V)

Voltage <b>(default)</b>	2 AC 240V 60 Hz	2 AC 240V 60 Hz
Rated load	5.8 kW	5.8 kW
Fuse rating	2 × 30 A	2 × 30 A
Minimum cross-section	3 × AWG 10	3 × 5.2 mm <sup>2</sup>
Length of electrical cord (UL 921) with plug	approx. 5' 7"	approx. 1.7 m
Electrical connection	NEMA L6-30	NEMA L6-30

Voltage <b>(convertible)</b>	3 AC 240V 60Hz	3 AC 240V 60Hz
Rated load	5.8 kW	5.8 kW
Fuse rating	3 × 20 A	3 × 20 A
Minimum cross-section	4 × AWG 12	4 × 3.3 mm <sup>2</sup>
Length of electrical cord (UL 921) with plug	approx. 5' 7"	approx. 1.7 m
Electrical connection	NEMA L15-20	NEMA L15-20

## Cold water connection

Max. temperature	68 °F	20 °C
Max. water hardness	73 gpg	70 °d
Min. flow pressure	29 psi	200 kPa
Min. flow pressure with extended water intake	5.8 psi	40 kPa
Max. pressure	145 psi	1,000 kPa
Throughput	2 gal/min	7.5 l/min
Connection thread - on site (flat sealing)	3/4" Male Garden Hose Thread (USA: 11.5 NH)	3/4" Male Garden Hose Thread
Length of connection hose (supplied)	approx. 5' 7"	approx. 1.7 m

## Hot water connection

Max. temperature	149 °F	65 °C
Max. water hardness	73 gpg	70 °dH
Min. flow pressure	29 psi	200 kPa
Min. flow pressure with extended water intake	5.8 psi	40 kPa
Max. pressure	145 psi	1,000 kPa
Throughput	2 gal/min	7.5 l/min
Connection thread - on site (flat sealing)	3/4" Male Garden Hose Thread (USA: 11.5 NH)	3/4" Male Garden Hose Thread
Length of connection hose (supplied)	approx. 5' 7"	approx. 1.7 m

## Drain water

Drain hose (internal diameter x wall thickness)	7/8" x 1/4"	22 x 6 mm
Length of Commercial Dishwasher drain hose	4' 11"	approx. 1.5 m
Length of Commercial Dishwasher drain hose, max.	13' 1"	approx. 4.0 m
Drain pump head height from floor level, min.	1'	300 mm
Drain pump head height from floor level, max.	3' 3"	1 m
Drain hose delivery, max.	4.2 gal/min	16 l/min
On-site hose connector (external diameter x length)	7/8" x 1 3/16"	22 x 30 mm

## External dosing system (optional)

Connect up to 2 dosing systems at the rear panel for liquid cleaning agent and rinse aid.

## Machine feet

Height adjustable	0 - 2 3/8"	0-60 mm
Foot diameter	1 3/8"	35 mm
Entry point into housing	8 M	8 M

## Heat dissipation to room

Heat transfer by emission	1194 btu/h	0.35 kWh/h
Load on removal	1365 btu/h	0.40 kWh/h

## Machine data

Unit height	32 5/16"	820 mm
Height including cover	32 7/8"	835 mm
Width	23 9/16"	598 mm
Depth	22 13/16"	580 mm
Door height	26 3/8"	670 mm
Net weight	154 lbs	70 kg
Dynamic floor load	1.200 N	1.200 N
Width including transport pallet	26 3/8"	670 mm
Depth including transport pallet	29 1/8"	740 mm
Height including transport pallet	36 1/4"	920 mm

## Set-up conditions

Ambient temperature	41-104 °F	5-40 °C
Max. humidity up to 88°F / 31°C	80%	80%
Max. humidity up to 104°F / 40°C	50%	50%
Max. altitude above sea level	6560'	2,000 m



**U.S.A.  
Miele, Inc.**

**National Headquarters**

9 Independence Way

Princeton, NJ 08540

Phone: 800-991-9380

Fax: 609-419-4241

[www.mieleusa.com](http://www.mieleusa.com)

**Technical Service & Support  
Nationwide**

Phone: 800-991-9380

Fax: 800-220-1348

[proservice@mieleusa.com](mailto:proservice@mieleusa.com)