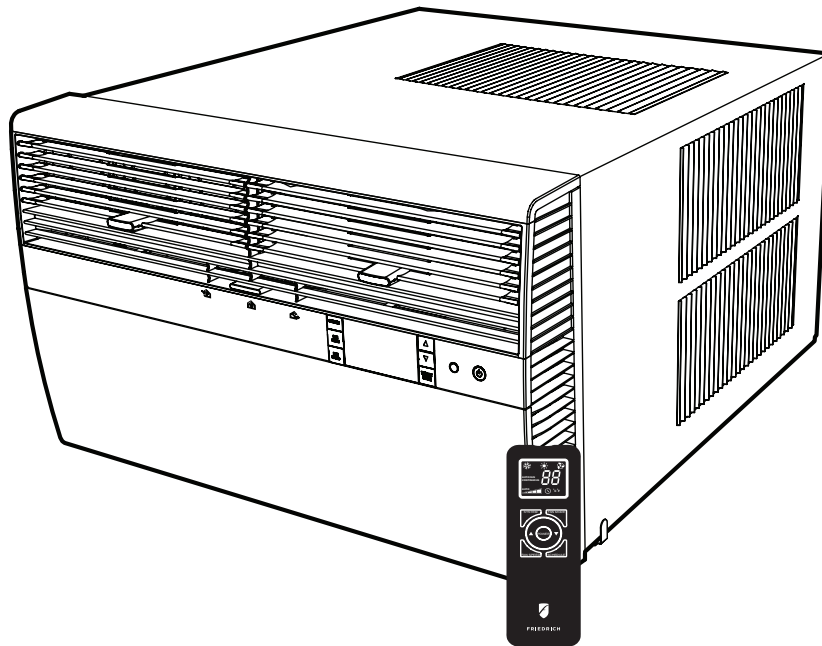




# FRIEDRICH

## Room Air Conditioners



### Standard Chassis Models

---

#### Kühl

115-Volt: KCS08, KCS10, KCS12, KCS14  
230-Volt: KCS12, KCS16, KCM18, KCM21, KCM24  
KCL22, KCL24, KCL28, KCL36

---

#### Kühl +

*Electric Heat*

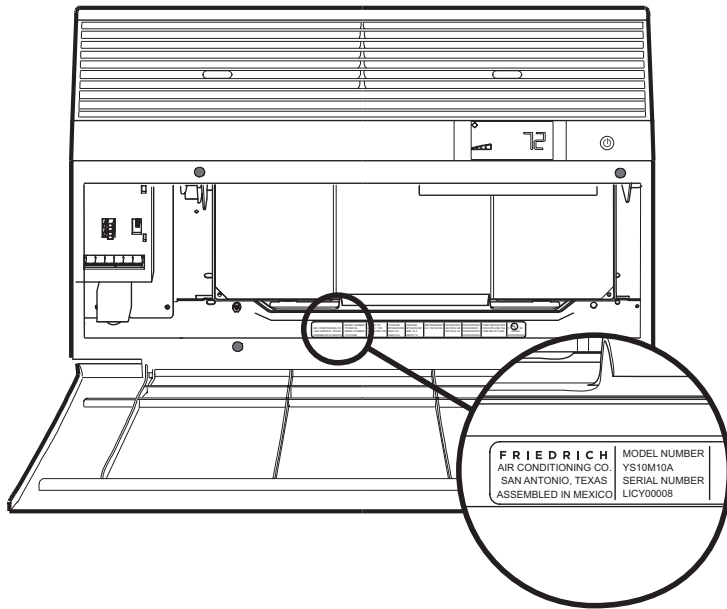
115-Volt: KHS10  
230-Volt: KES12, KES16, KH12, KEM18  
KHM18, KHM24, KEL36, KHL24

#### Kühl +

*Heat Pump*

Thank you for your decision to purchase the Friedrich High Efficiency Air Conditioner. Your new Friedrich has been carefully engineered and manufactured to give you many years of dependable, efficient operation, maintaining a comfortable temperature and humidity level. Many extra features have been built into your unit to assure quiet operation, the greatest circulation of cool, dry air, and the most economic operation.

**THANK YOU, on behalf of our entire company,  
for making such a wise purchase.**



### Register your air conditioner

Model information can be found on the name plate behind the front cover.

Please complete and mail the owner registration card furnished with this product, or register online at [www.friedrich.com](http://www.friedrich.com).

For your future convenience, record the model information here.

MODEL NUMBER

SERIAL NUMBER

PURCHASE DATE


---

# Table of Contents

Safety Precautions .....	4
Unpacking Instructions .....	5
WARNING: Before Operating Your Unit .....	6
Standard Filter Cleaning / Installation Instructions .....	7
Premium Carbon Filter Installation Instructions .....	8
Control Panel Operation .....	9
New Kühl Control Options .....	22
Wi-Fi Set-Up Instructions .....	23
Control Panel Operation Instructions .....	24
Remote Control Operation .....	25
Remote Effectiveness .....	25
Airflow Selection and Adjustment .....	26
Installation Instructions .....	27
Installation Hardware and Accessory Details .....	28
Standard Window Installation .....	29
Cord Routing Change .....	38
Thru-the-Wall Installation .....	40
Final Inspection & Start-up Checklist .....	44
Routine Maintenance .....	45
Service and Assistance .....	45
Available Accessories .....	45
Troubleshooting Tips .....	46
Warranty .....	48
Performance Installation & Test Method Addendum .....	49


# Safety Precautions

**Your safety and the safety of others is very important.**




We have provided many important safety messages in this manual and on your appliance. Always read and obey all safety messages.

This is a safety Alert symbol.  
This symbol alerts you to potential hazards that can kill or hurt you and others.

 **WARNING**

All safety messages will follow the safety alert symbol with the word "WARNING" or "CAUTION". These words mean:

Indicates a hazard which, if not avoided, can result in severe personal injury or death and damage to product or other property.


 **CAUTION**


Indicates a hazard which, if not avoided, can result in personal injury and damage to product or other property.

All safety messages will tell you what the potential hazard is, tell you how to reduce the chance of injury, and tell you what will happen if the instructions are not followed.

**NOTICE**

Indicates property damage can occur if instructions are not followed.

 **WARNING**






**Refrigeration system under high pressure**

Do not puncture, heat, expose to flame or incinerate.

Only certified refrigeration technicians should service this equipment.

R410A systems operate at higher pressures than R22 equipment. Appropriate safe service and handling practices must be used.

Only use gauge sets designed for use with R410A. Do not use standard R22 gauge sets.

<b>THINK</b>	 <b>WARNING</b>	 <b>AVERTISSEMENT</b>	 <b>ADVERTENCIA</b>
<b>SAFETY FIRST</b>	Do not remove, disable or bypass this unit's safety devices. Doing so may cause fire, injuries, or death.	Ne pas supprimer, désactiver ou contourner cette l'unité des dispositifs de sécurité, faire vous risqueriez de provoquer le feu, les blessures ou la mort.	No eliminar, desactivar o pasar por alto los dispositivos de seguridad de la unidad. Si lo hace podría producirse fuego, lesiones o muerte.



# Unpacking Instructions

**STEP 1.** Cut all 4 packing straps.

**STEP 2.** Remove wooden shipping bar dividers.

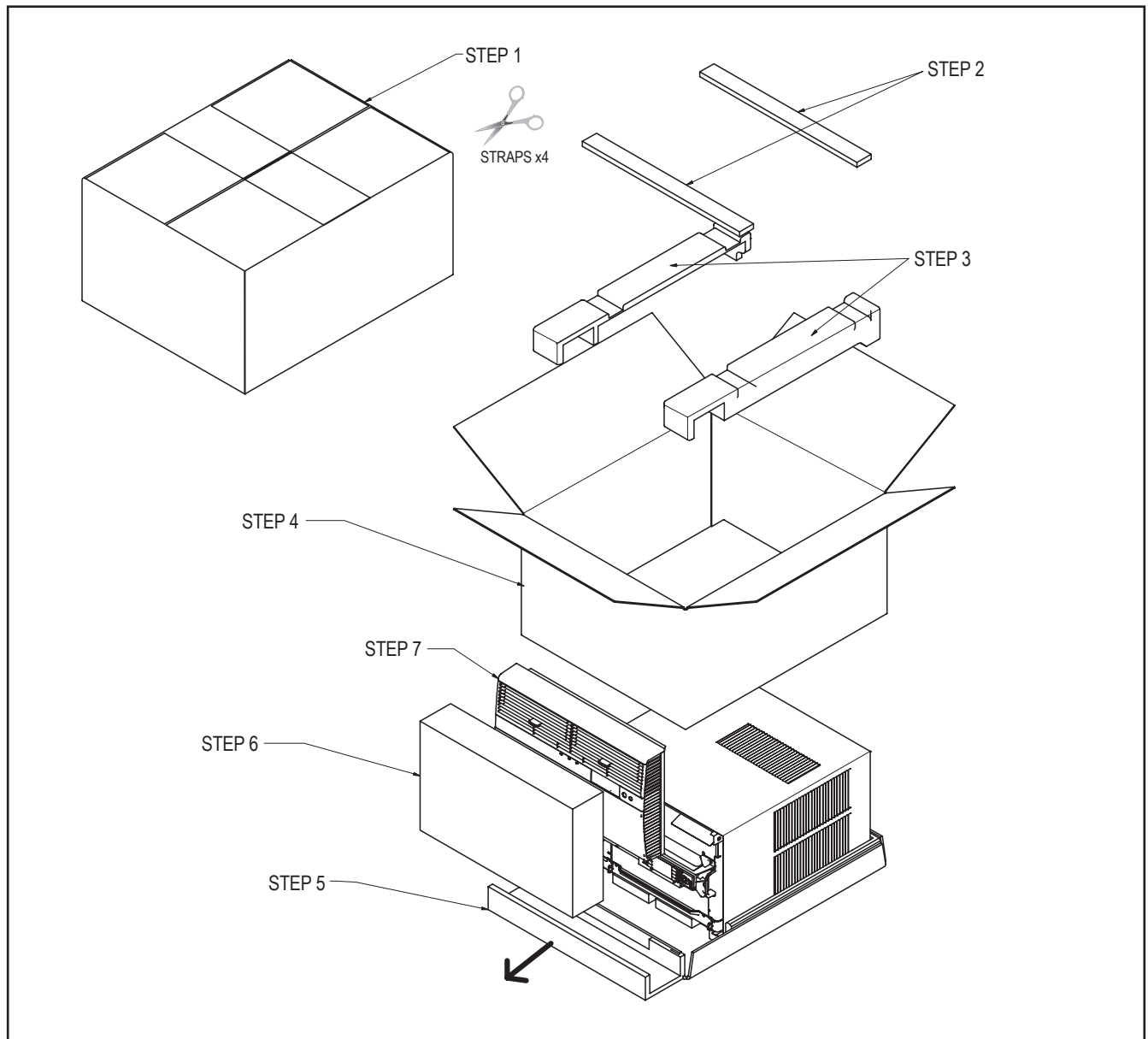
**STEP 3.** Remove top foam pads.

**STEP 4.** Slowly remove outer box, careful not to loosen decorative front.

**STEP 5.** Slide the front forward.


**STEP 6.** Carefully lift decorative front box from foam front support.

**STEP 7.** Remove decorative front and set safely aside.



# WARNING: Before Operating Your Unit

**⚠ WARNING**



**Electrical Shock Hazard**

Make sure your electrical receptacle has the same configuration as your air conditioner's plug. If different, consult a Licensed Electrician.

Do not use plug adapters.  
Do not use an extension cord.  
Do not remove ground prong.

Always plug into a grounded 3 prong outlet.  
Failure to follow these instructions can result in death, fire, or electrical shock.

## Make sure the wiring is adequate for your unit.

If you have fuses, they should be of the time delay type. Before you install or relocate this unit, be sure that the amperage rating of the circuit breaker or time delay fuse does not exceed the amp rating listed in Table 1.

## DO NOT use an extension cord.

The cord provided will carry the proper amount of electrical power to the unit; an extension cord may not.

## Make sure that the receptacle is compatible with the air conditioner cord plug provided.

Proper grounding must be maintained at all times. Two prong receptacles must be replaced with a grounded receptacle by a certified electrician.

The grounded receptacle should meet all national and local codes and ordinances. You must use the three prong plug furnished with the air conditioner. Under no circumstances should you remove the ground prong from the plug.

## Test the power cord.

All Friedrich room air conditioners are shipped from the factory with a Leakage Current Detection Interrupter (LCDI) equipped power cord. The LCDI device on the end of the cord meets the UL and NEC requirements for cord connected air conditioners.

To test your power supply cord:





1. Plug power supply cord into a grounded 3 prong outlet.
2. Press RESET (see Figure 1).
3. Press TEST, listen for click; the RESET button trips and pops out.
4. Press and release RESET (Listen for click; RESET button latches and remains in). The power cord is ready for use.

**NOTICE**

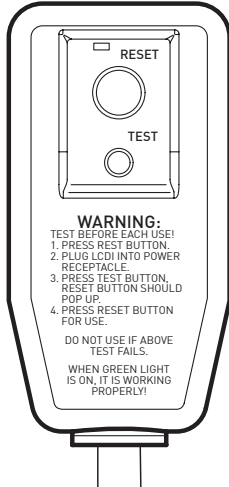
Do not use the LCDI device as an ON/OFF switch.

Failure to adhere to this precaution may cause premature equipment malfunction.

Once plugged in, the unit will operate normally without the need to reset the LCDI device. If the LCDI device fails to trip when tested or if the power supply cord is damaged, it must be replaced with a new power supply cord from the manufacturer. Contact our Technical Assistance Line at (800) 541-6645. To expedite service, please have your model number available.

MODEL	CIRCUIT RATING OR TIME DELAY FUSE		REQUIRED WALL RECEPTACLE	
	AMP	VOLT	NEMA NO.	
KCS08, KCS10 KCS12, KCS14 KHS10	15	125	5-15R	
KCS12, KCS16 KCM18, KCM21 KCL22	15	250	6-15R	
KCM24, KCL28 KES12, KES16 KHS12, KCL24	20	250	6-20R	
KCL36, KEM18 KEM24, KEL36 KHM18, KHL24	30	250	6-30R	

**Figure 1**



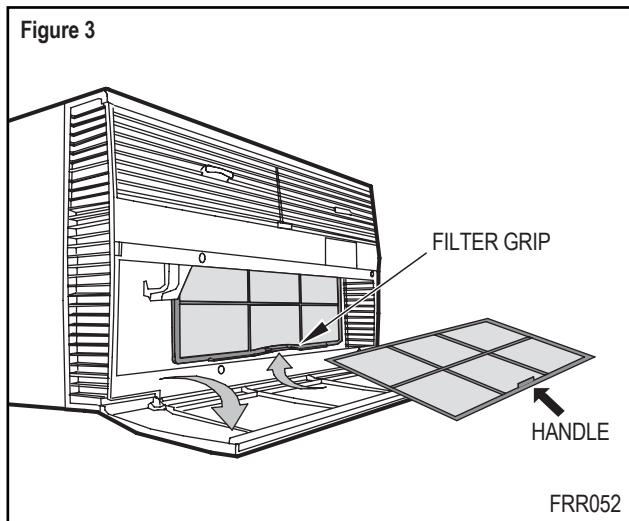
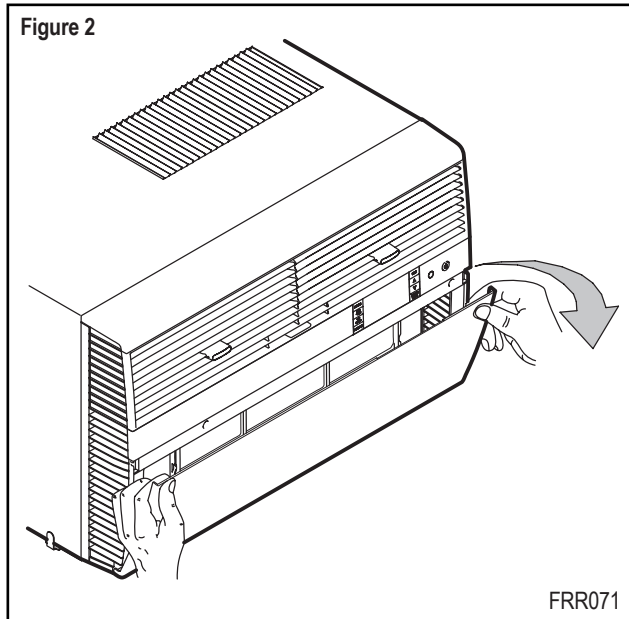
**WARNING:**  
TEST BEFORE EACH USE!  
1. PRESS RESET BUTTON.  
2. PLUG LCDI INTO POWER RECEPTACLE.  
3. PRESS TEST BUTTON. RESET BUTTON SHOULD POP UP.  
4. PRESS RESET BUTTON FOR USE.

DO NOT USE IF ABOVE TEST FAILS.  
WHEN GREEN LIGHT IS ON, IT IS WORKING PROPERLY!

FRR072

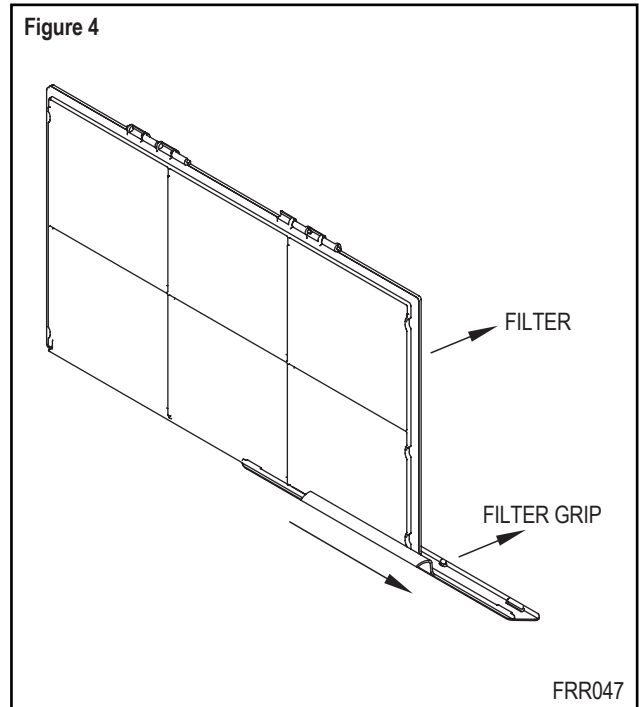
# Standard Filter Cleaning / Installation Instructions

**STEP 1.** Swing the door open and remove the filter by grasping the filter grip and pushing the filter holder upward and outward.

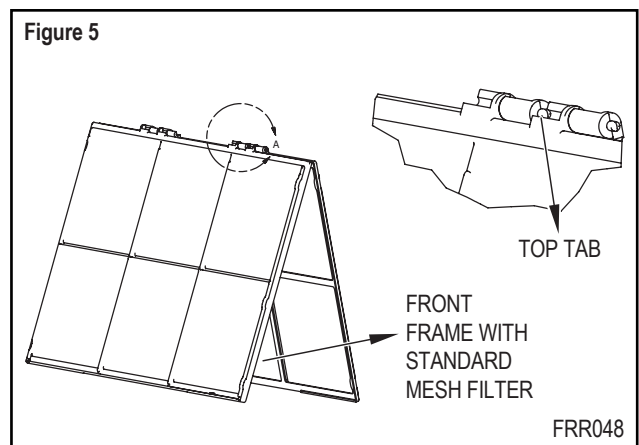


**STEP 2.** Slide the filter grip out from the filter as shown in Figure 4.

**NOTE:** Make sure the front frame with the mesh filter is facing you.



**STEP 3.** Swing the front frame open. Clean the front frame by washing the dirt from the filter. Use a mild soap solution if necessary. Allow filter to dry.



**STEP 4.** Install the filter grip back into the filter by sliding it into the filter.

**NOTE:** The filter handle slides into the frame in only one direction. If the tab in the frame stops the handle from sliding in, slide the handle from the other direction. **DO NOT FORCE THE HANDLE INTO THE FRAME.**

**STEP 5.** Install the filter back into the unit. Follow the instructions on the inside of the front door.

# Premium Carbon Filter Installation Instructions

**STEP 1.** Remove the filter from the unit as per the instructions on the inside of the filter door.

**STEP 2.** Hold the filter at the top and slide the grip out as shown in Figure 4.

**STEP 3.** If you already have a carbon filter installed remove the dirty filter by laying the filter down and swinging open the front frame as shown in Figure 6.

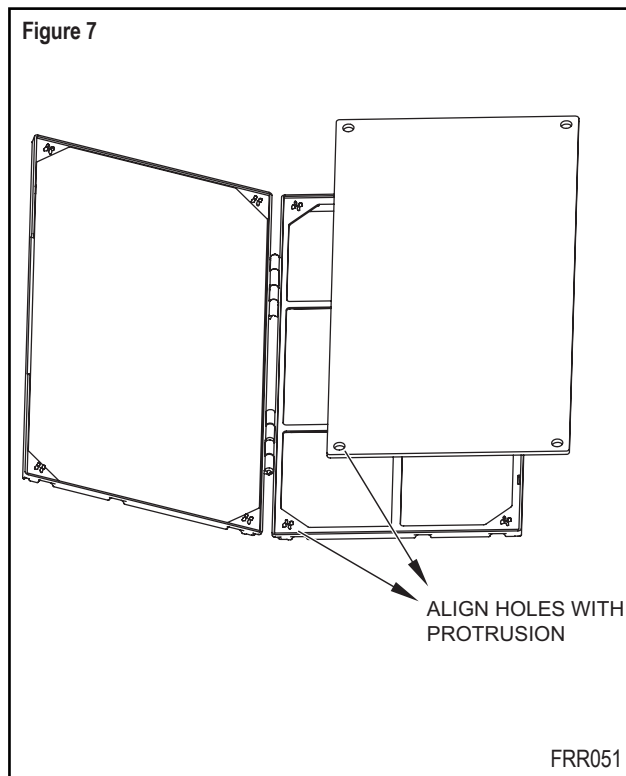
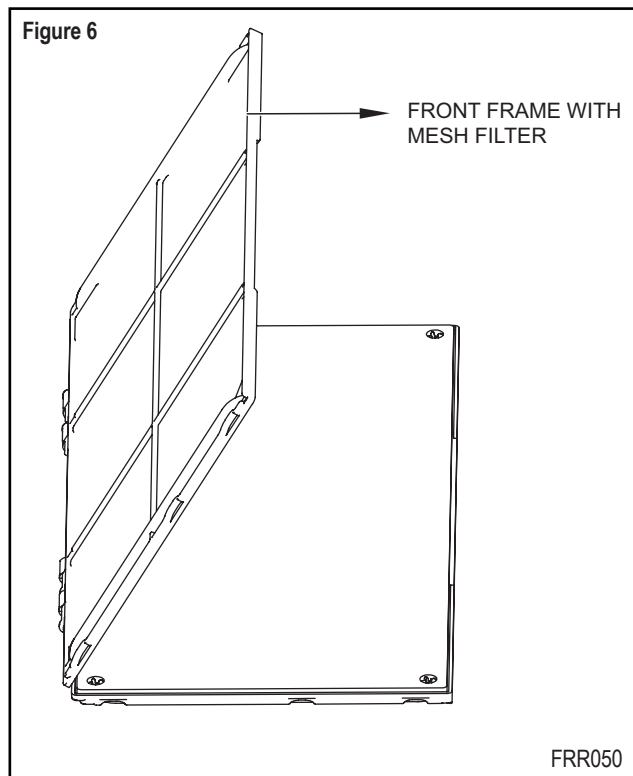
**NOTE:** Make sure the frame with the mesh is facing toward you.

**STEP 4.** Place the new carbon filter on the top of the back filter frame. The carbon filter has been cut to the correct dimension and should fit within the frame as shown in Figure 7.

**NOTE:** The carbon filter is not a reusable filter, and needs to be replaced every three months for optimum efficiency.

**STEP 5.** Slide the filter handle back on to hold the frames together and slide the assembly into the unit as per the instructions on the door.

**NOTE:** The filter handle slides into the frame in only one direction. If the tab in the frame stops the handle from sliding in, slide the handle from the other direction. **DO NOT FORCE THE HANDLE INTO THE FRAME.**



# Control Panel Operation

All of the control panel function buttons and mode icons can be viewed in Figure 8.

**Power On** – Press the button to turn on the air conditioner. The power button illuminates to indicate that the power is on. The backlight on the power switch will automatically turn off after 20 seconds of inactivity. The remote control can also be used to turn power ON / OFF (see Remote Control).

**Display** – The display is a high efficiency LCD with a built-in backlight. After 20 seconds of inactivity, the display switches off. Touching any button automatically changes the display to full brightness.

There are three control push buttons on each side of the display.

Figure 8

SYSTEM	FAN MODE	FAN SPEED	TEMPERATURE Increment UP	TIMER	IR WINDOW	ON / OFF
Cycles between AUTO, HEAT, COOL, or FAN ONLY (if equipped)	Sets fan to either: - Cycle automatically - Run continuously	Sets fan speed: LOW, MED, HIGH or AUTO (if equipped)	TEMPERATURE Increment DOWN	Turns ON or OFF	Do not block	Turns unit on/off

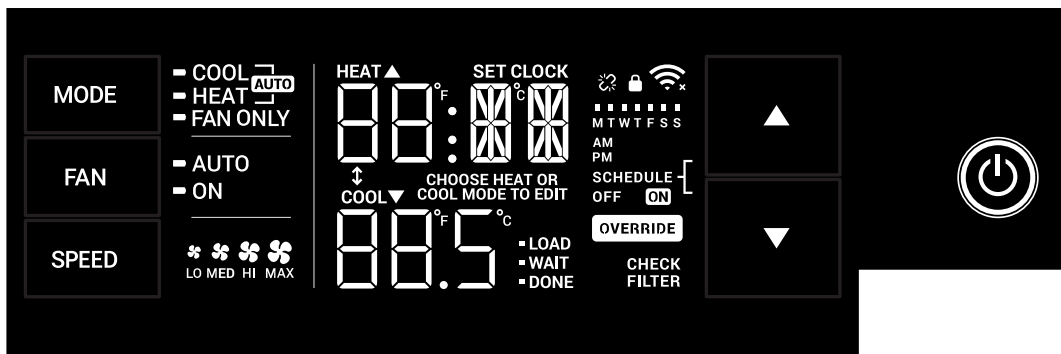
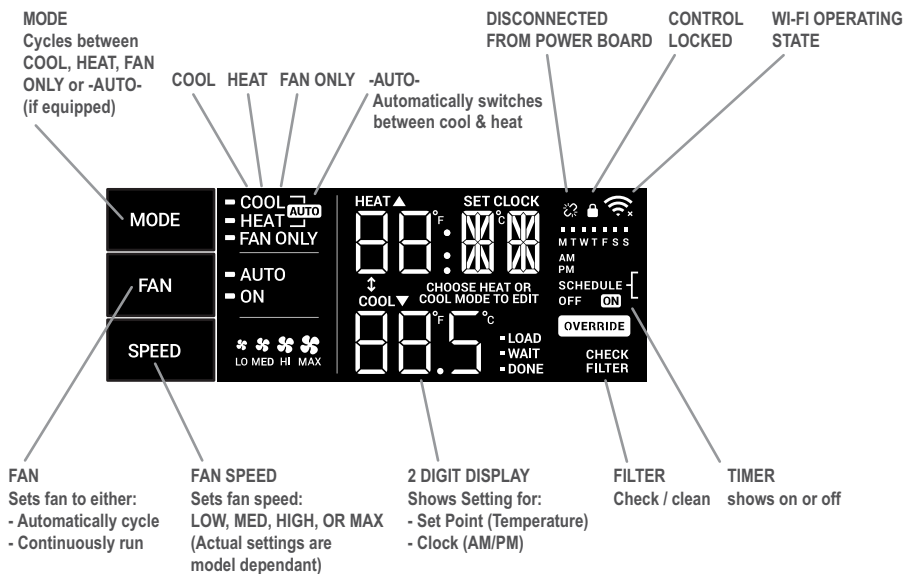


Figure 9



# Control Panel Operation

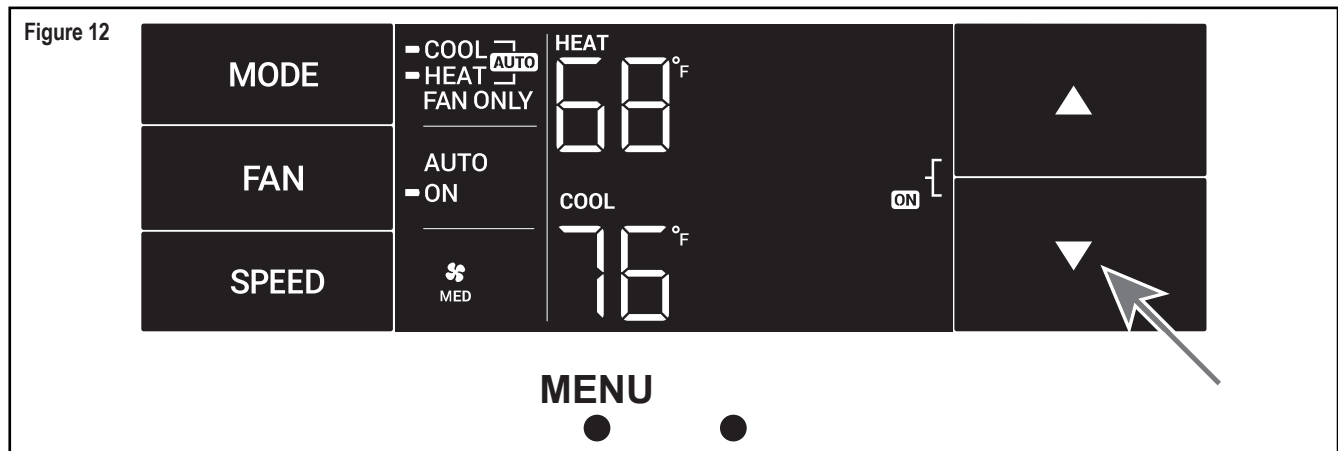
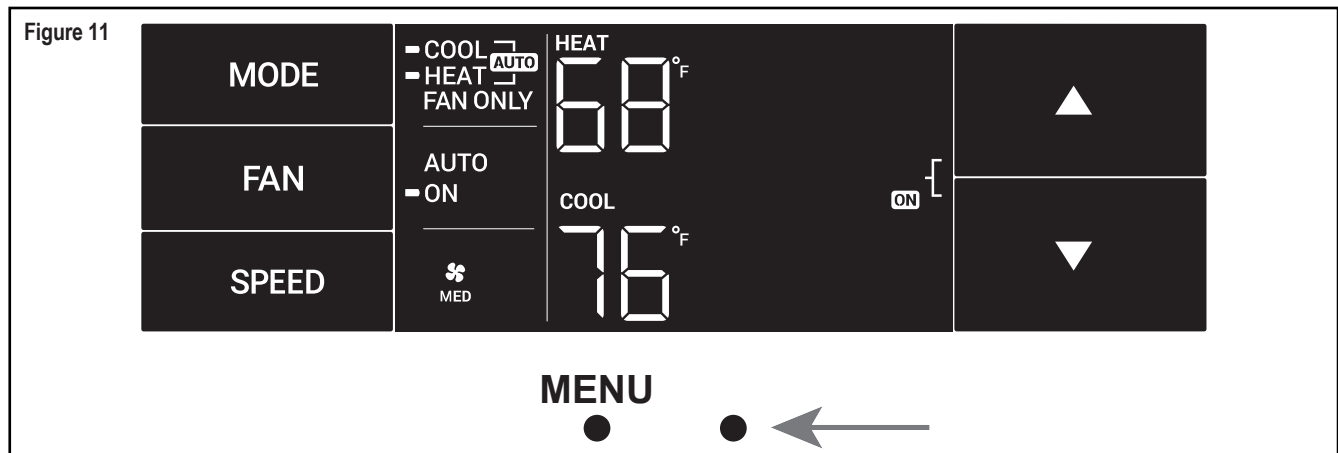
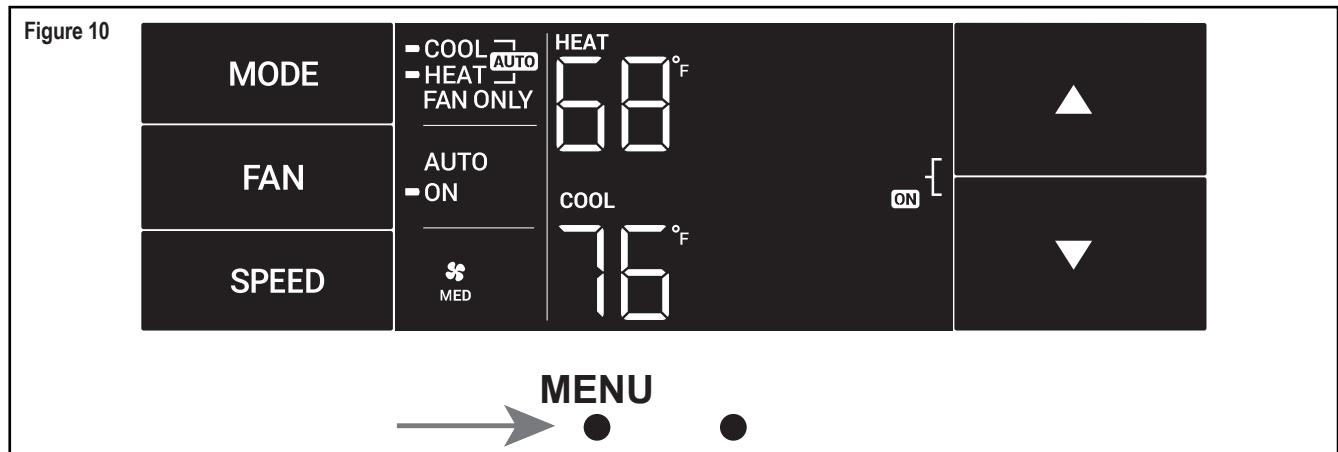
## Accessing Sub-Menus

The leftmost MENU button accesses the sub-menu. See Figure 10.

The arrow buttons navigate the 6 menu options (See Figure 11):

- LIM
- LOCK
- TM
- CnCT
- F-C
- diAG

The rightmost button exits the menu. See Figure 12.

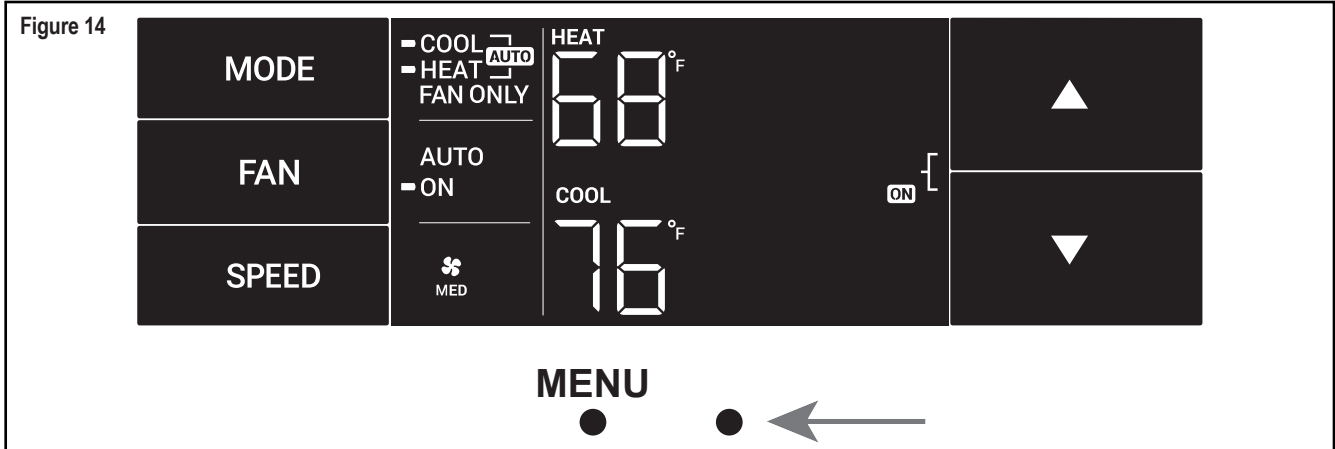
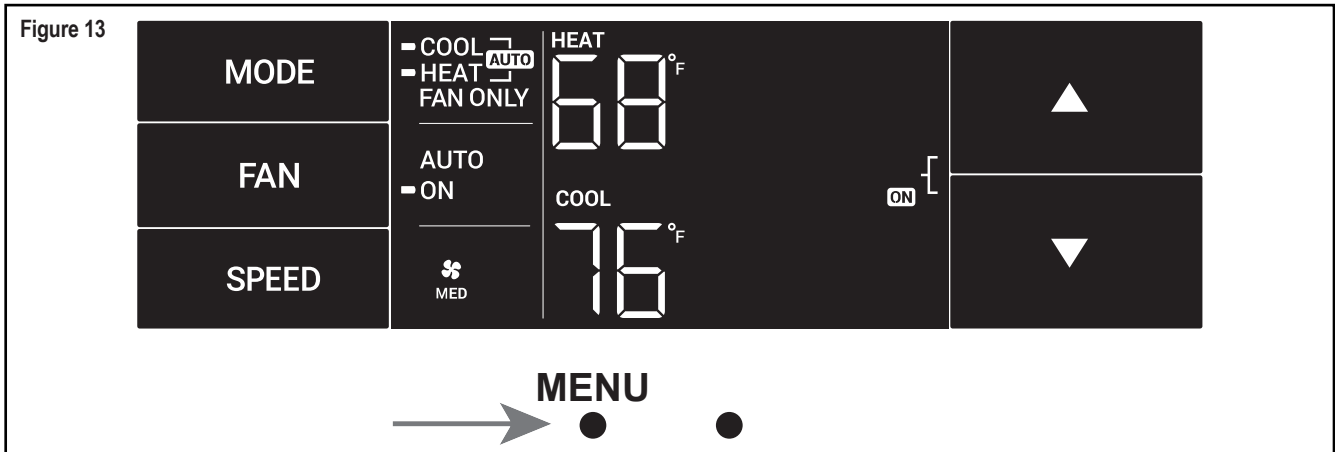


# Control Panel Operation

## Navigating Inside the Sub-Menus

The leftmost MENU button moves you forward through the sub-menu.  
See Figure 13.

The rightmost button moves you backward once inside the LIM and TM menus.  
See Figure 14.



# Control Panel Operation

## The LIM Menu

This is the limit menu. See Figure 15.

Upon entering the menu, the first option will be to set the lower setpoint limit using the arrow buttons. See Figure 16.

Then you can set the higher setpoint limit using the arrow buttons. See Figure 17.

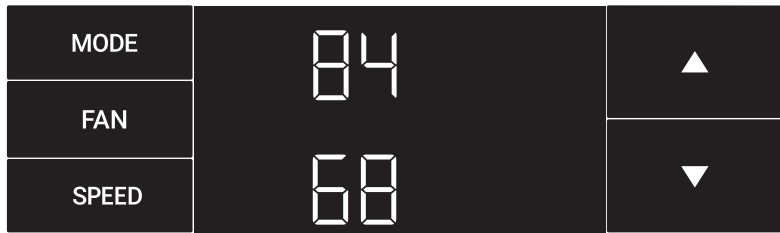
Pressing the leftmost button completes the limit setting. See Figure 18.

Figure 15



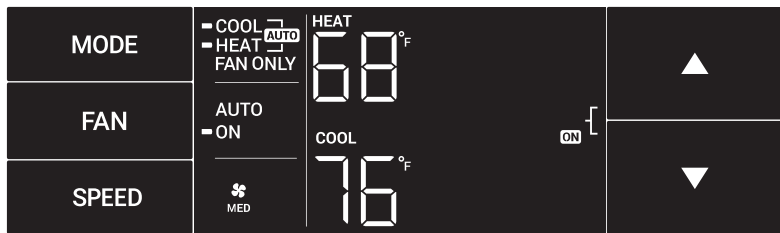
MENU ● ●

Figure 16



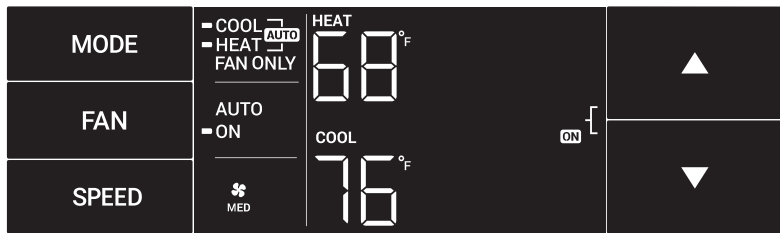
MENU ● ●

Figure 17



MENU ● ●

Figure 18



MENU ● ●



# Control Panel Operation

## The TM Menu

This is the TM menu used to set a timer. See Figure 19.

In the menu, you set the current time using the arrow buttons. See Figure 20. (Note: These two "set clock" steps will be skipped if the unit is already connected to Wi-Fi.)

First, set the hour.

Using the leftmost button, you switch to the minutes and complete setting the time. See Figure 21.

You select your mode. Either cool, heat, or auto. Toggle these using the arrow buttons. See Figure 22. (Note: cooling-only models skip this step.)

The process is the same for all three modes. Auto mode will be shown as the example.

Figure 19



MENU

Figure 20



MENU

Figure 21



MENU

Figure 22



MENU

# Control Panel Operation

## The TM Menu continued

Auto mode selected. See Figure 23.

Note: The auto mode timer sets both the cool and heat setpoint.

Set the cool setpoint for your first timer period using the arrow buttons. The cooling mode timer only sets the cool setpoint. See Figure 24.

Set the time to start the first timer period. See Figure 26.

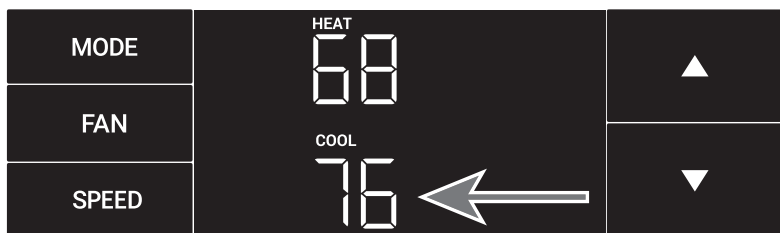
Next, set the heat setpoint for your first timer period. The heating mode timer only sets the heat setpoint. See Figure 25.

Figure 23



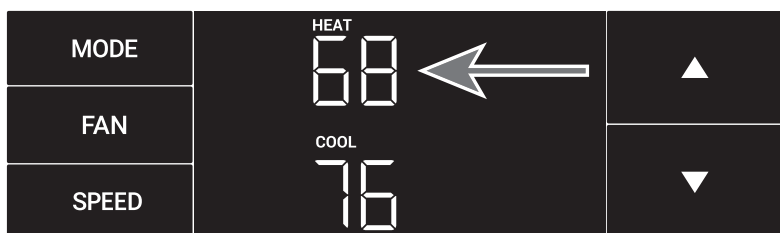
MENU ● ●

Figure 24



MENU ● ●

Figure 25



MENU ● ●

Figure 26



MENU ● ●

# Control Panel Operation

## The TM Menu continued

Set the cool setpoint for the second scheduled timer. See Figure 27.

Set the heat setpoint for the second timer.

Set the time to start the second timer period. See Figure 28.

Press the leftmost button to complete the time timer setup. See Figure 29.

Figure 27

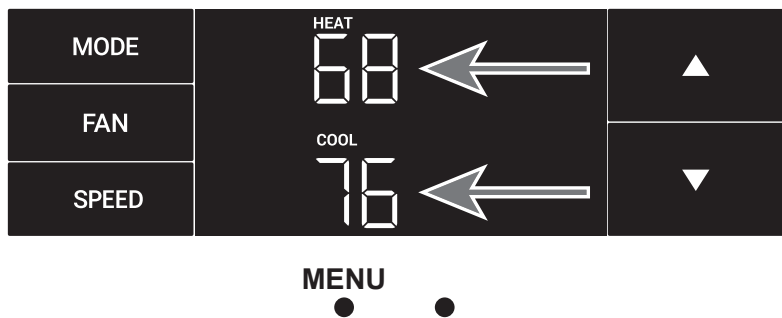
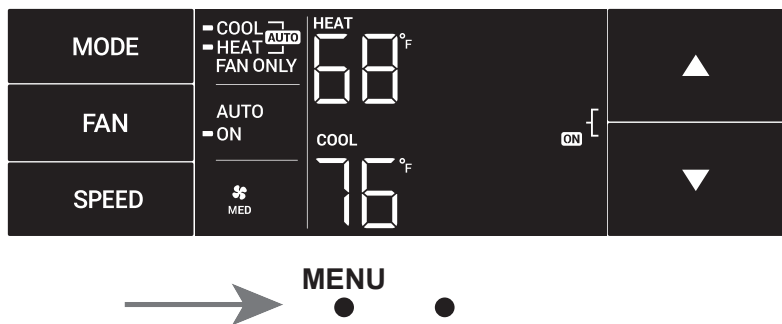


Figure 28



Figure 29



# Control Panel Operation

## The F-C Menu

This menu is used to toggle between Fahrenheit and Celsius.

This is the Fahrenheit/ Celsius Menu. See Figure 30.

Using the arrow buttons on the right side switches it from Fahrenheit to Celsius. See Figures 31 and 32.

Figure 30



MENU ● ●

Figure 31



MENU ● ●

Figure 32



MENU ● ●

# Control Panel Operation

## The Lock Menu

This menu is used to lock the changing setting with a password.

This is the Lock Menu. See Figure 33.

The default is the off setting. Use the arrows to toggle between off and on. See Figure 34.

This is LOCK on. See Figure 35.

Set the first digit of the password using the arrow buttons. Use the left-most button to proceed to the next digit. See Figure 36.

Figure 33



Figure 34

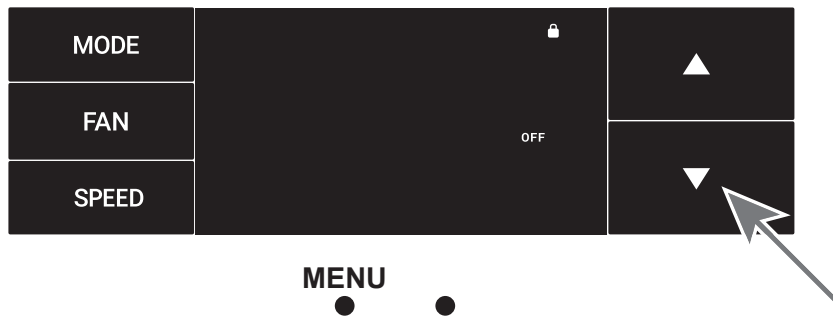
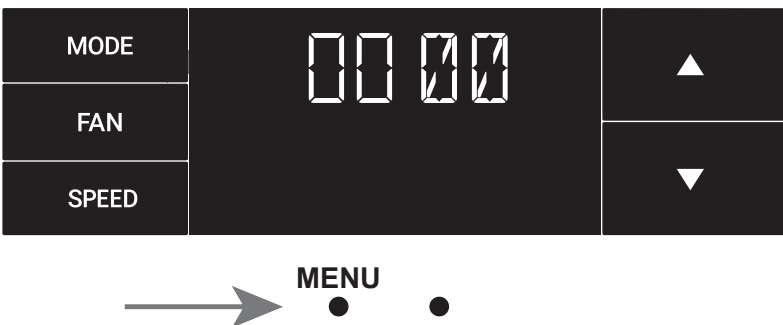


Figure 35



Figure 36



# Control Panel Operation

## The Lock Menu continued

Set the second digit of the password using the same method.  
See Figure 37.

Set the third digit of the password using the same method.  
See Figure 38.

Set the fourth digit of the password using the same method.  
See Figures 39.

Press the leftmost button to complete the password process.  
See Figure 40.

Figure 37



Figure 38

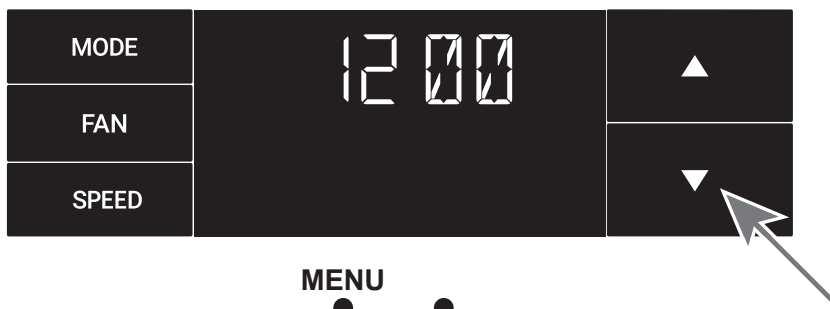
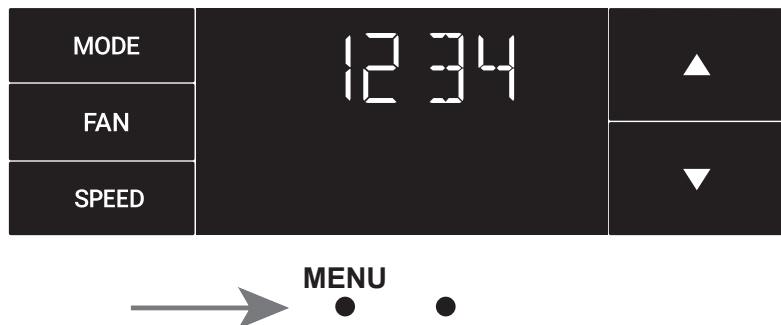


Figure 39



Figure 40



# Control Panel Operation

## The Lock Menu continued

The ON on the right side of the display shows the lock function is active. To go back into the menu, select the leftmost button again. See Figure 41.

Enter the password in the same manner it was created. See Figure 42.

Entering the correct password will give the user access to all of the sub-menus. See Figure 43.

Accessing the lock menu will allow you to toggle lock OFF if needed. See Figure 44.

Figure 41

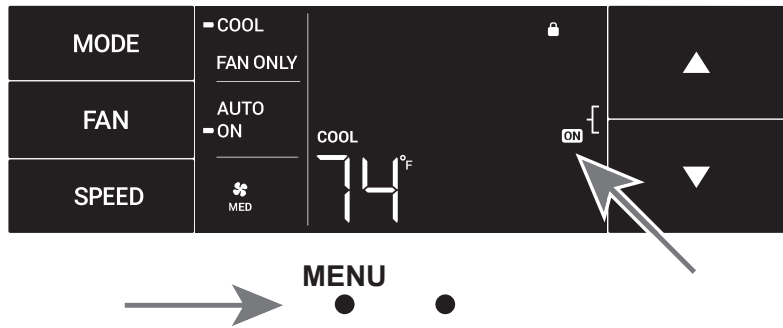


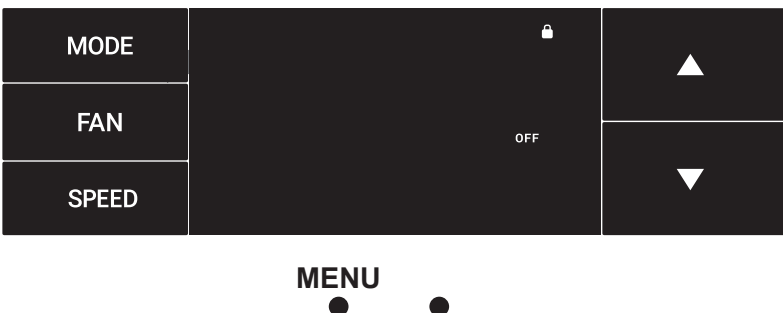
Figure 42



Figure 43



Figure 44



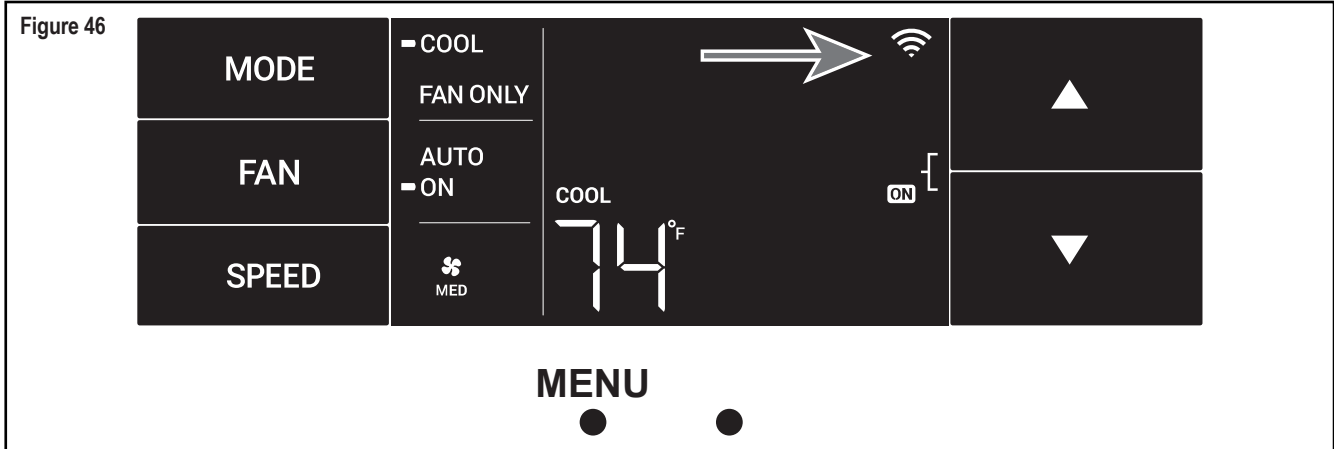
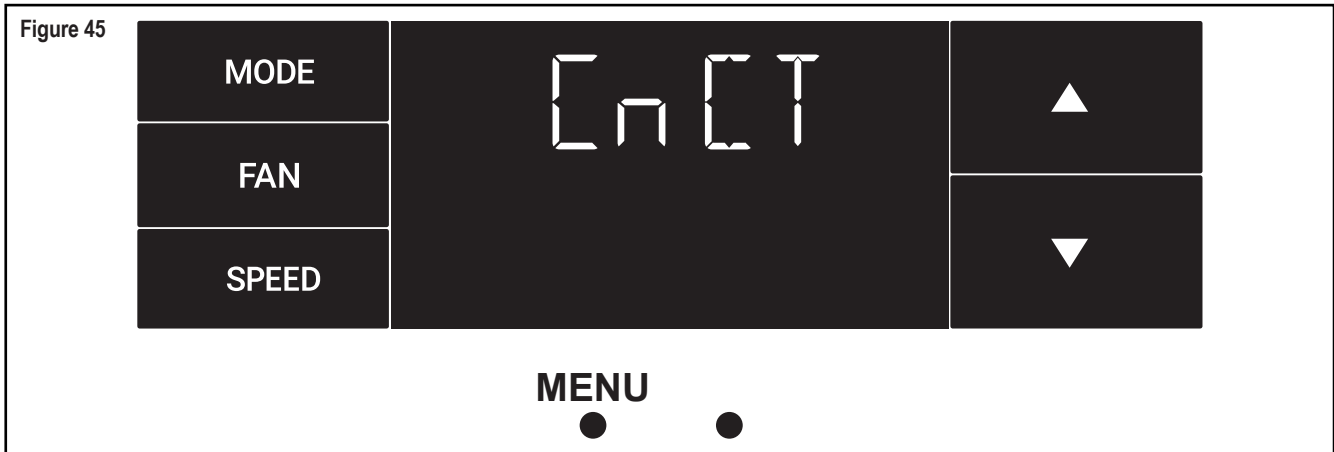
# Control Panel Operation

## The CnCT Menu

This menu is used to turn on Wi-Fi connection.

This is the CnCT menu. Pressing the leftmost button will activate Wi-Fi. See Figure 45.

The Wi-Fi symbol in the top right corner of the display shows Wi-Fi connection is on. See Figure 46.





# Control Panel Operation

## The diAG Menu

This menu is used to access the diagnostic codes. See Figure 47.

Selecting this sub-menu shows the E that represents "Error." See Figure 48.

Toggle through the error codes using the arrow keys. See Figure 49.

Figure 47



Figure 48



Figure 49



---

# New Kühl Control Options

The new Kühl gives you a variety of options for control, programming, and scheduling including wireless capabilities.

## Wireless Programming and Control:

Friedrich Connect allows you to conveniently control, program, and monitor your air conditioning unit remotely from a smartphone or computer.

## Pre-Programmed Timer Options:

Your unit's digital control comes equipped with a 24-hour timer.

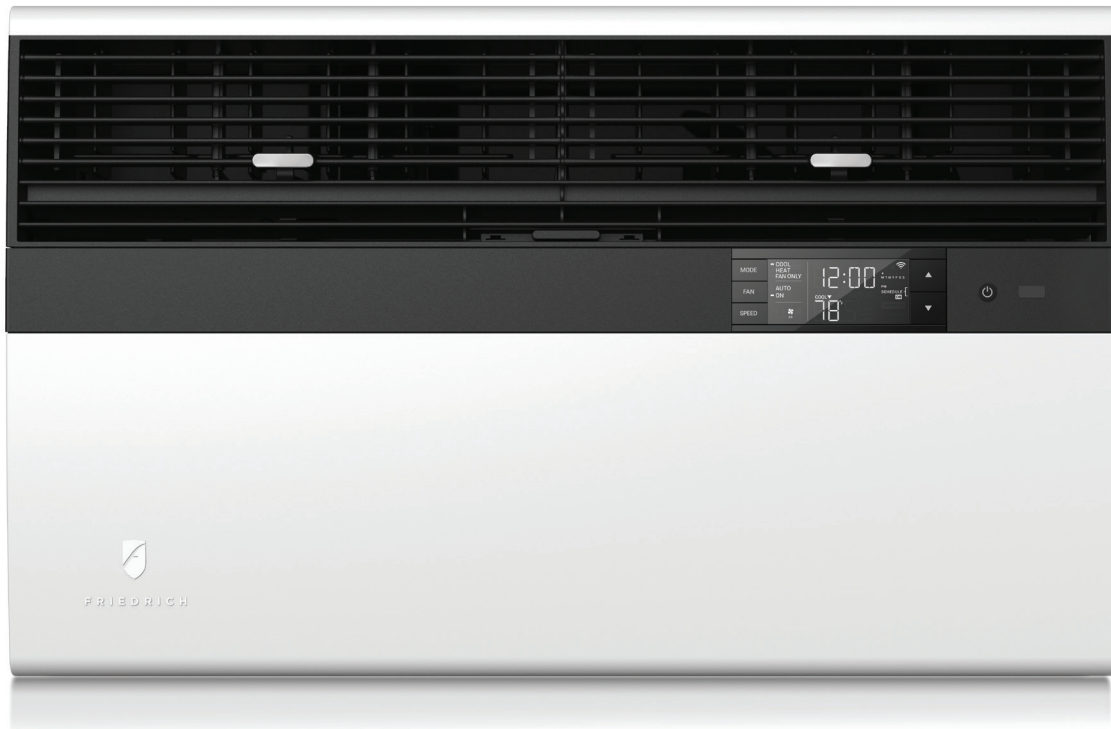
### 24-Hour Timer

The 24-hour timer allows you to set 2 temperature changes at pre-set times or a unit control panel.

## Customizable Programming Options:

Customizable timers, with up to four temperature adjustments per day, can be set using Friedrich Connect for one or multiple units.

**See [www.friedrich.com](http://www.friedrich.com) for complete details on Friedrich Connect.**



# Wi-Fi Set-Up Instructions

## Accessing Sub-Menus:

Below are the set-up instructions for Wi-Fi to use your unit wirelessly.

Follow the instructions below:

- STEP 1.** Using a mobile device such as a smartphone or laptop, navigate to [www.FriedrichConnect.com](http://www.FriedrichConnect.com).
- STEP 2.** Sign-in using your username and password.
- STEP 3.** Click the “Add Device” button.
- STEP 4.** Select the time zone the device is located in and click the “Next” button.
- STEP 5.** To start the setup process click the menu button on the home screen of your Kühl model.

**STEP 6.** Using the up and down arrows, navigate to the CnCT screen (Figure 50).

**STEP 7.** Click the menu button, this will begin the setup process for your Friedrich Connect enabled device.

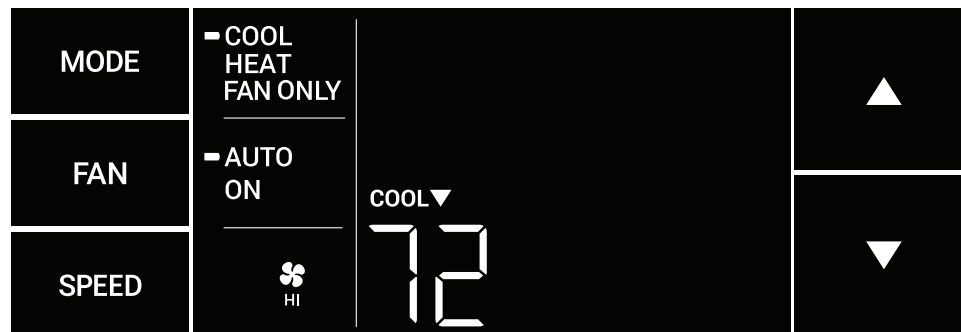
**STEP 8.** Click the “Next” button on your mobile device.

**STEP 9.** Follow the on-screen steps to finish adding the device to your account.

Figure 50



Figure 51



---

# Control Panel Operation Instructions

**SYSTEM** - The **MODE** button allows you to sequentially select up to four modes of operation:

- AUTO** Available on select models
- COOL**
- HEAT** Available on select models
- FAN ONLY**

## **AUTO FAN (No Cooling Demand)**

When in **AUTO** mode, the fan only operates when the system has a demand to cool or heat the room.

In the **ON** fan mode, the fan operates all the time. The system periodically cools or heats the fan's airflow but the flow of air does not stop.

**UP and DOWN Arrows** - Pressing either an **UP** or **DOWN** button changes the system's setpoint (desired room temperature). These buttons are also used to make system parameter changes later in this manual.

One press equals 1 degree of change in Fahrenheit mode. One press equals 0.5 degree change in Celsius mode.

## **TIMER**

The timer can be engaged or disengaged from the control panel. This is done by pressing or holding the **UP** and **DOWN** arrows simultaneously for three seconds.

## **OTHER FUNCTIONS**

### **°F–°C Select**

To switch from degrees Fahrenheit (F) to Celsius (C), press the **MENU** button and enter the **F-C** sub-menu.

**FAN SPEED** - Depending on your model, the **FAN SPEED** button allows you to toggle between three or four modes of operation: **LOW**, **MEDIUM**, **HIGH** and **MAX**.

## **Alerts**

When the filter needs to be cleaned or replaced, the **CHECK FILTER** icon displays.

The alert can be dismissed by pressing the **FAN MODE** and **TIME** for 3 seconds.

## **Lock Control Panel**

To lock/unlock the front panel controls, navigate to the "**LOCK**" sub-menu found after clicking the **MENU** button. The lock requires a four digit pass code to lock/unlock the unit. This pass code will be required to enter the menu to unlock the unit. The **LOCK** icon illuminates to indicate the locked status.

The **LOCK** icon disappears to indicate unlocked status.

## **External Control Status**

The **Wi-Fi** icon illuminates to indicate that the system is receiving a Wi-Fi connection. The **Wi-Fi** icon also provides information about the signal strength.

## **ADVANCED FUNCTIONS**

The functions mentioned in the following section may or may not be available depending on the air conditioner model.

### **Modify the TIMER Function**

Navigate to the **TIME** menu to set the timer.

# Remote Control Operation

**Remote Control** - Refer to Figure 52 during operation description.

**Getting Started** - Install two (2) AAA batteries in the battery compartment located on the back of the unit.

**Operation** - The remote control should be within 25 feet of the air conditioner for operation (refer to Figure 52 for effectiveness). Press the power button to turn the remote on. The remote will automatically power off after 15 seconds if the buttons are not being pressed. The remote must be on to control the unit.

**POWER Button** - Turns remote and unit on and off.

**SYSTEM Button** - Allows the user to sequentially select the following: **AUTO**, **COOL**, **HEAT**, and **FAN ONLY** operations. When the button is pressed, the display indicates which mode has been selected via a display message. Note that when the heating function is not available, the system will automatically skip the **HEAT** mode.

**FAN MODE Button** - Selects between automatic (**AUTO FAN**) or **CONTINUOUS** operation. In the **AUTO FAN** mode, the fan only turns on and off when the compressor operates or the heat function is enabled.

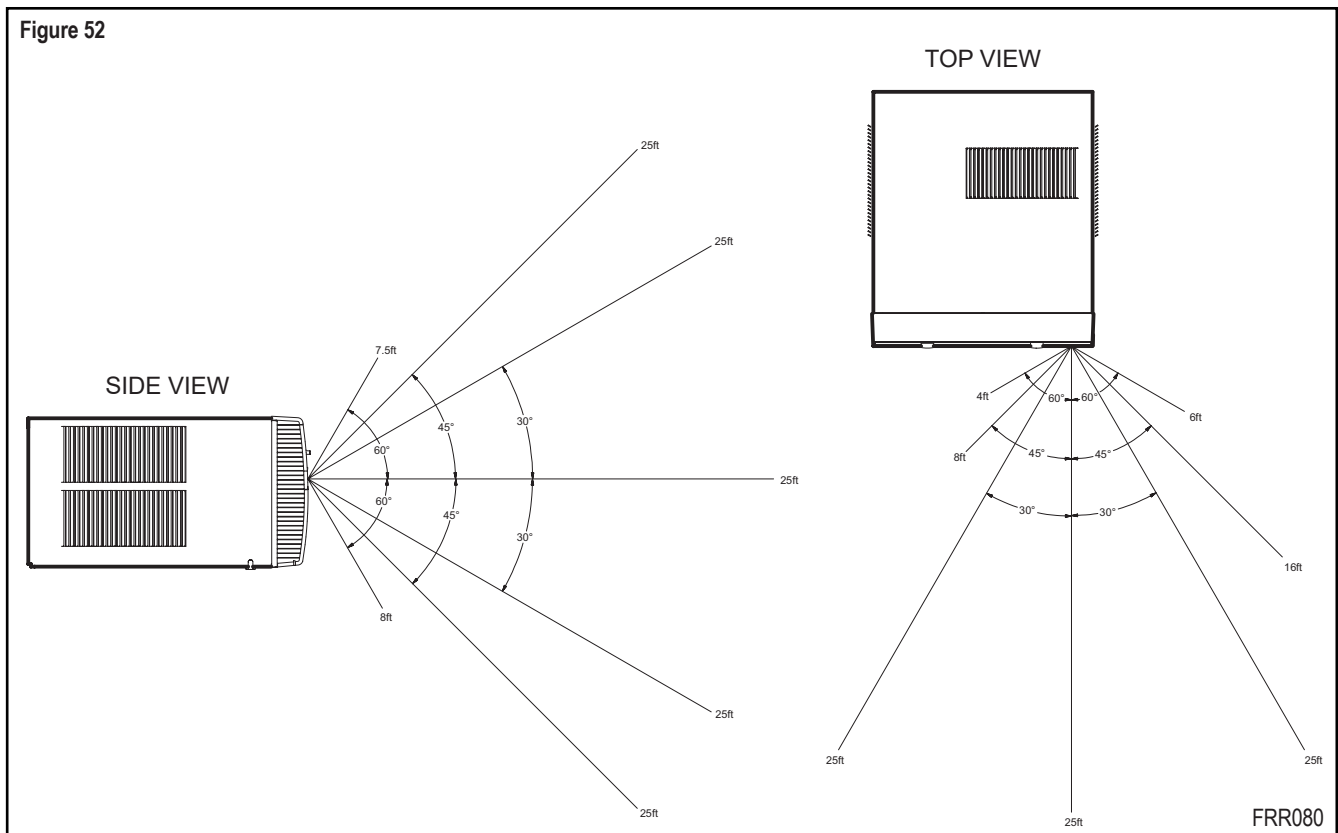
**NOTE:** **AUTO FAN** is not available in the **FAN ONLY** Mode, the display indicates **CONTINUOUS**. In the **CONTINUOUS** mode, fan speed is determined by your selection on the **FAN SPEED** button.

**FAN SPEED Button** - Used to sequentially select new fan speed, plus **AUTO** operation. When the **FAN SPEED** button is pressed, the fan speed icon (triangle) changes to indicate the new speed level. Fan speed automatically varies depending on the set temperature on the control panel and the actual room temperature. For example, if there is a big difference between your set temperature and the actual room temperature, the system fan speed increases to **HIGH**. It remains at this speed until the room temperature matches the set temperature.

**UP and DOWN Arrows** - Pressing either the **UP** or **DOWN** button changes the desired room temperature. The factory preset lower and upper limits are 60 °F (16 °C) and 99 °F (37 °C). These buttons are also used to navigate between function options when using the User Menu or Maintenance Mode.

## Remote Effectiveness

**Handheld Remote** - Has an operating range of up to 25 ft. The infrared remote control signal must have a clear path to transmit the command to the air conditioning unit. The remote signal has some ability to “bounce” off of walls and furniture similar to a television remote control. The diagram below shows the typical operating range of the control in a standard room with 8 ft high ceilings.



# Airflow Selection and Adjustment


## Airflow direction adjustment


The airflow path may be adjusted to distribute air independently from the left or right side of the discharge opening. Each of the banks of louvers can be directed left, right, up, or down in order to achieve the most optimum airflow positioning.

To adjust airflow direction, grab the lever in the center of the louver bank and move it in the direction that you would like the air to be directed. Please note that it is normal that airflow may be stronger out of one side of the louvers than the other.

## Fresh air and exhaust control

Your air conditioner has the ability to bring fresh air into the room or exhaust stale air out of the room. The control slide is found on the upper part of the unit (see Figure 53).

**TO BRING IN FRESH AIR** – Move the lever to the **Fresh Air**  position which allows outside air to enter the room. This is useful in fall and spring as a means of bringing in fresh outside air when using FAN ONLY. It can also be used in the summer with the compressor in the Cooling Mode if you wish.

**TO EXHAUST INDOOR AIR** – Move the lever to the **Exhaust**  position. This will allow stale air to be expelled to the outside of the dwelling. This is especially handy in the spring or fall when indoor air tends to get stale, or after a social gathering involving smokers, or to remove cooking odors.


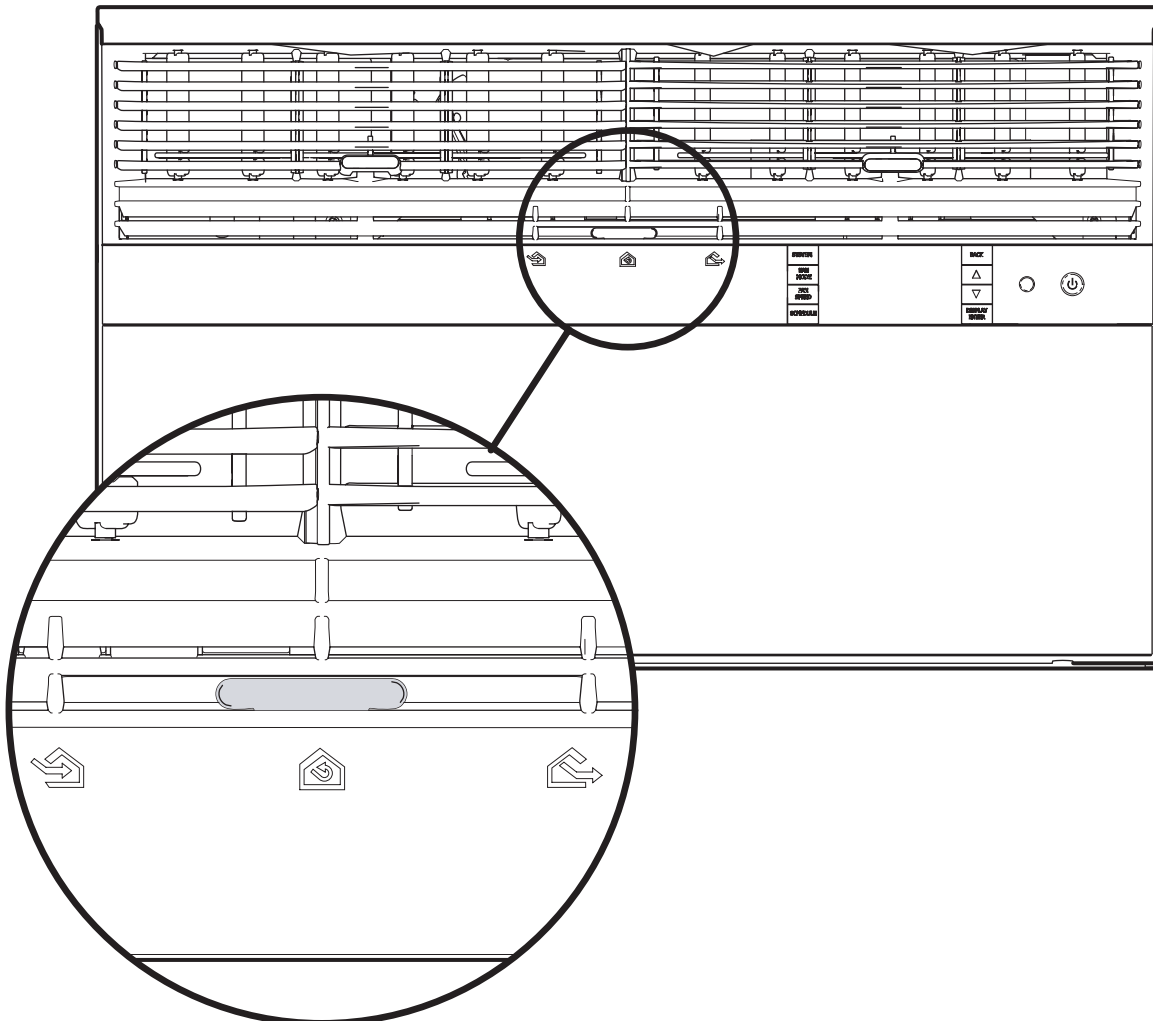
**BEST PERFORMANCE** – Move the lever to the **Re-Circulate Position**.  This is the most efficient mode for cooling and heating.

Figure 53




FRR008

# Installation Instructions

## READ THIS FIRST! Electrical Requirements

**⚠ WARNING**



**Electrical Shock Hazard**

Make sure your electrical receptacle has the same configuration as your air conditioner's plug. If different, consult a Licensed Electrician.

Do not use plug adapters.  
Do not use an extension cord.  
Do not remove ground prong.

Always plug into a grounded 3 prong outlet.  
Failure to follow these instructions can result in death, fire, or electrical shock.

**IMPORTANT:** Before you begin the actual installation of your air conditioner, check your local electrical codes and the information below. Your air conditioner must be connected to a power source with the same alternating current (A.C.) voltage and amperage as marked on the name plate located on the chassis. Only A.C. can be used. Direct Current (D.C.) cannot be used.

**CIRCUIT PROTECTION** – Use on single outlet circuit only. An overloaded circuit will invariably cause malfunction or failure of an air conditioner; therefore, it is necessary that the electrical protection is adequate. Due to momentary high current demand when the air conditioner starts, use a "TIME DELAY" fuse or a HACR type circuit breaker. Consult your dealer or power company if in doubt.

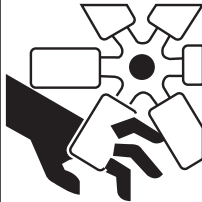
Refer to the electrical name plate located on the air conditioner chassis (see Page 2) to determine the correct fuse or circuit breaker amperage for your model (see Table 1 on Page 6 for electrical receptacle types).

The power cord has a plug with a grounding prong and a matching receptacle is required.

The following instructions are for standard chassis model groups distinguished by the first three letters of the model designations cabinet sizes listed in Table 2.

MODEL DESIGNATION	CABINET SIZE (H x W x D)
SMALL CHASSIS – KCS, KES, KHS	15 15/16" x 25 15/16" x 29" (405 mm x 660 mm x 737 mm)
MEDIUM CHASSIS – KCM, KEM, KHM	17 15/16" x 25 15/16" x 29" (455 mm x 660 mm x 737 mm)
LARGE CHASSIS – KCL, KEL, KHL	20 3/16" x 28" x 35 1/2" (513 mm x 711 mm x 851 mm)

**⚠ WARNING**



**MOVING PARTS HAZARDS**

- Do not operate unit out of sleeve or with front grille removed.
- Do not place hands in blower or fan blade areas.

Failure to do so can result in serious injury.

**⚠ CAUTION**



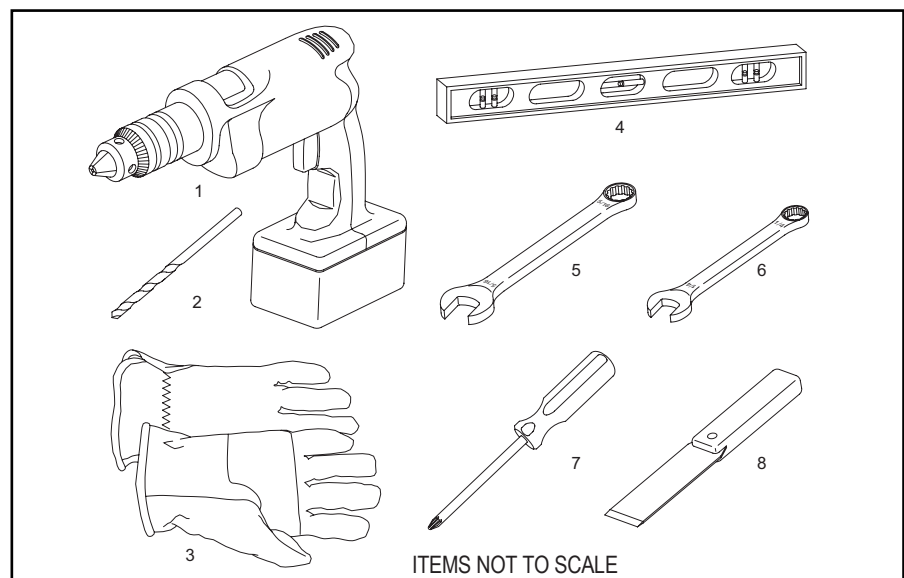
**Excessive Weight Hazard**

Use two or more people when installing your air conditioner.

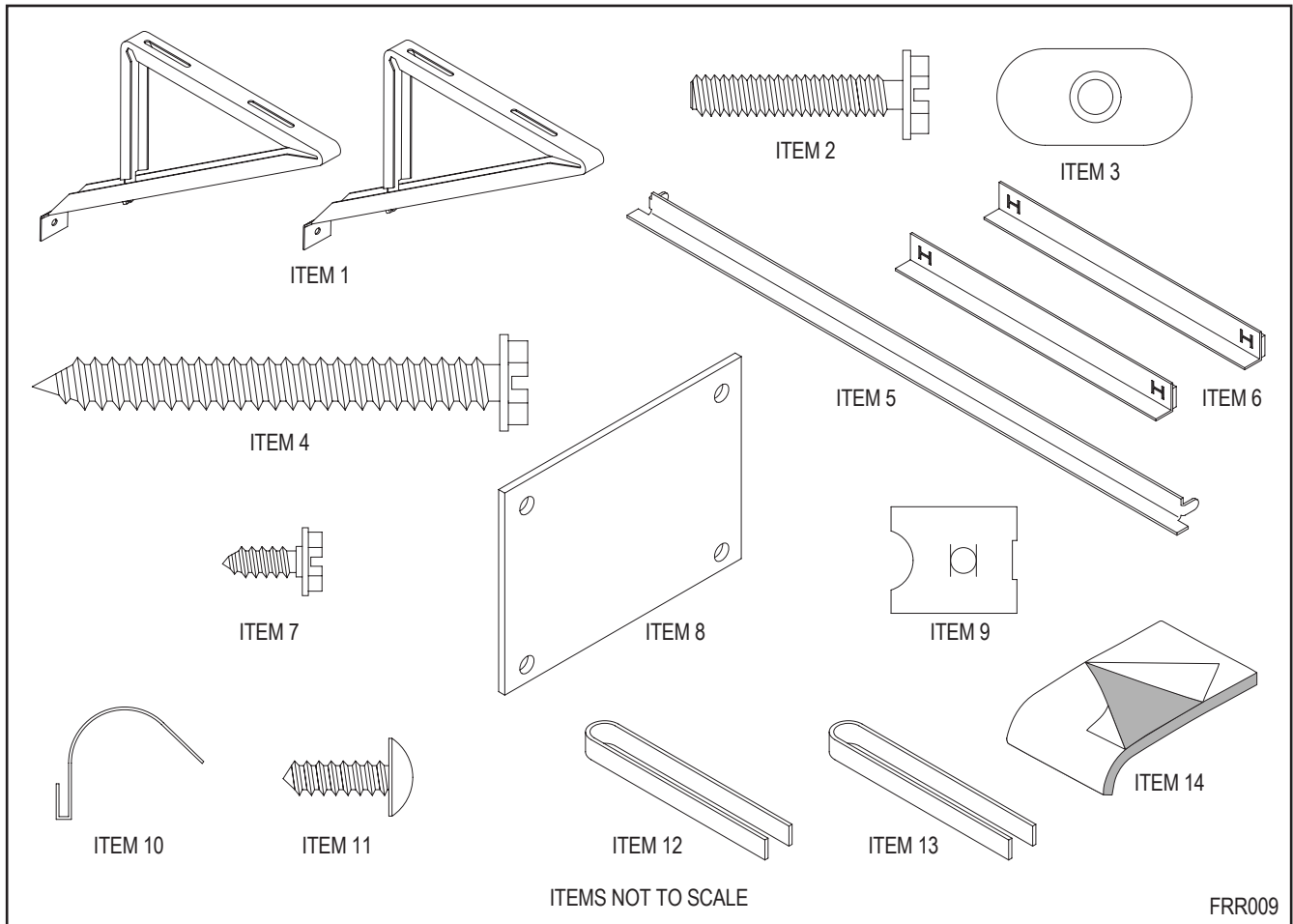
Failure to do so can result in back or other injury.

## Recommended Tools

1. Power Drill
2. 5/32" Drill Bit
3. Gloves
4. Carpenters Level
5. 5/16" Wrench
6. 1/4" Wrench
7. #2 Phillips Screw Driver
8. Putty Knife or (wood stir stick)



# Installation Hardware and Accessory Details



Window Mount Installation Hardware		
ITEM NO	DESCRIPTION	QTY.
<b>WINGBOARD MOUNTING PARTS</b>		
8	WINGBOARD (MASONITE)	1
9	"J" TYPE SPEED NUT	4
10	WINGBOARD CLIP (SPRING STEEL)	4
11	SCREW, #8 x 1/2" PHILLIPS TRUSS HD.	4
<b>WINDOW SEALING</b>		
12	WINDOW SEAL GASKET (DARK FOAM)	1
13	CHASSIS SEAL GASKET (LIGHT FOAM)	1
<b>SHELL MOUNTING PARTS</b>		
1	SUPPORT BRACKET	2
2	SCREW, 10-24 x 1" HEX HEAD	4
3	10-24 FLAT WELD NUT	4
4	SCREW, SHEET METAL #12 x 2"	7
<b>WINGBOARD ANGLE MOUNTING</b>		
5	WINGBOARD ANGLE, TOP	1
6	WINGBOARD ANGLE, SIDE	2
7	SCREW, SHEET METAL #8 x 3/8"	2

Thru-the-Wall Installation Hardware		
ITEM NO	DESCRIPTION	QTY.
<b>MOUNTING PARTS</b>		
4	SCREW, SHEET METAL #12A x 2"	7
14	CHASSIS SEAL GASKET (LIGHT FOAM)	1

**NOTE:** Kühl + models do not come with window mounting components. When mounting a cooling and heating model, a window installation kit must be purchased separately.

**KWIKS** – For all KES and KH models.

**KWIKM** – For all KEM and KHM models.


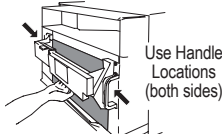
**KWIKL** – For all KEL and KHL models.



# Standard Window Installation

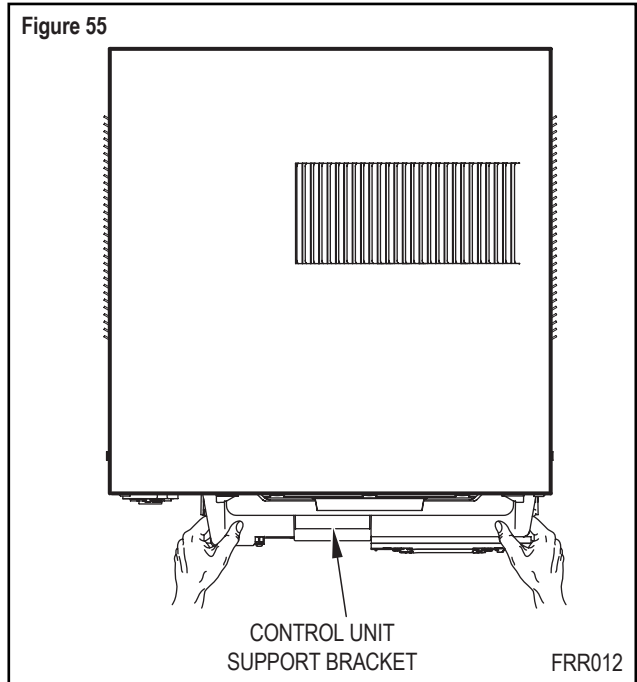
**NOTE:** Hardware and accessories used during installation are shown on Page 28. Each part will be referred as "Item No."

**STEP 1.** Remove the chassis EntryGard™ retainer by removing the far right screw (see Figure 54). Save this screw to reattach the chassis retainer after installation (Step 12). Also, remove and discard the two retainer screws and washer located at the rear of the unit (see Figure 54).

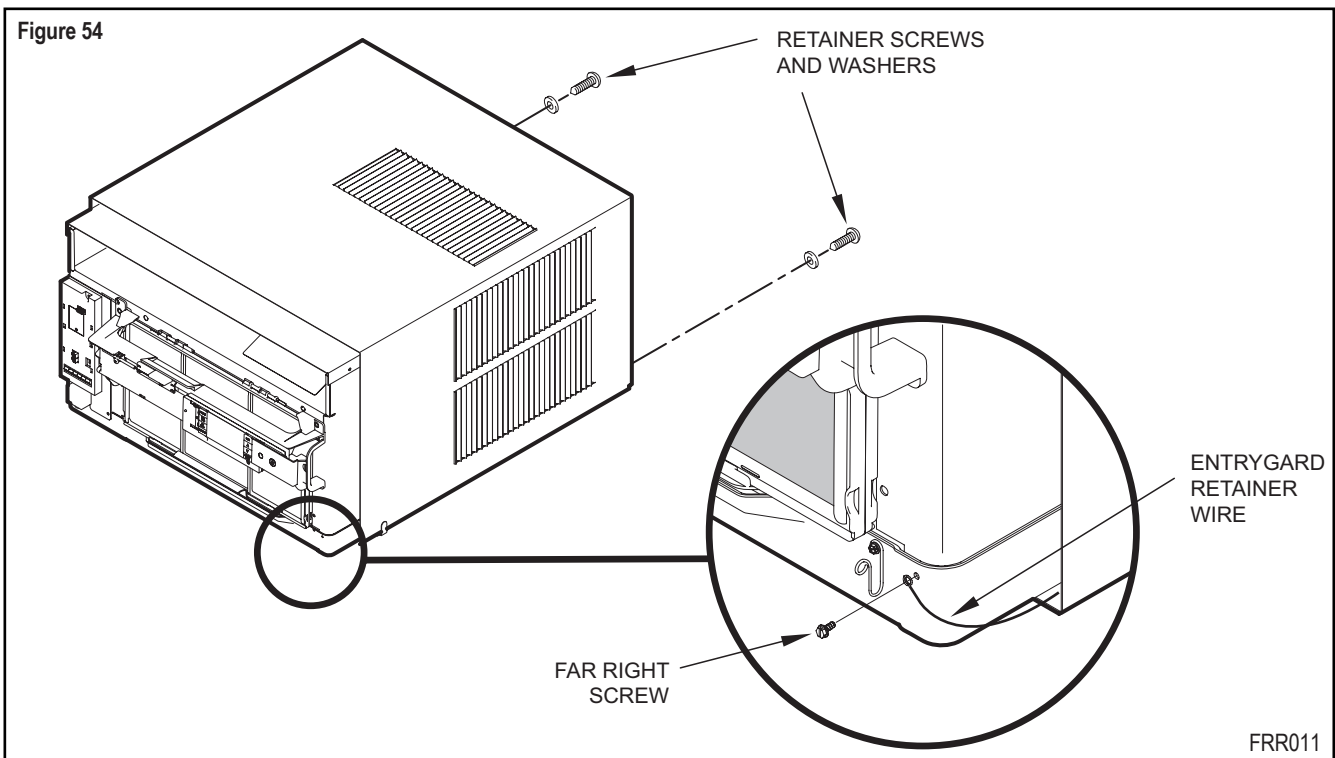
 <b>CAUTION</b>	
 <p>Use Handle Locations (both sides)</p>	<p><b>Handle Use</b></p> <p>Use handle on both sides to pull unit from sleeve.</p> <p>Do not push, pull, or lift from center of support.</p>

**STEP 2.** Hold the cabinet stationary. Then, use the hand grips on both ends of the control unit support bracket to pull the chassis out of the cabinet (see Figure 55).


**STEP 3.** Remove the large white foam blocks used to restrain the compressor during shipment (see Figure 56). Inspect base pan for dislodged white foam blocks and remove. Do not remove any other foam parts.



**STEP 4.** Anchor the side angles (Item 6) by engaging the tabs of the lower sill plate (see Figure 57, Detail B-2) with the loops of the side angle. Engage the tabs of the top angle (Item 5) with the top loops of the side angle (see Figure 57, Detail B-1). Install two (2) screws (Item 7) to secure the top angle tabs and the side angle to cabinet (see Figure 57, Detail B-1).



# Standard Window Installation continued

<b>⚠ CAUTION</b>	
	<p><b>Remove Shipping Blocks</b> Prior to operating the unit remove the foam shipping blocks.</p> <p>Failure to do so may result in damage to the unit which is not covered by the manufacturer's warranty!</p>

**STEP 5.** Check the window sill and frame to be sure they are in good condition and functioning.

**STEP 6. CABINET MOUNTING** – Raise the lower window  $\frac{1}{4}$ " more than the height of the cabinet. Carefully slide the cabinet through the opening until the lower sill plate channel rests behind the window sill and the top angle rests against the window (see Figure 58). Center the cabinet within the opening. Drill three (3)  $\frac{5}{32}$ " diameter pilot holes into window sill using the holes in the cabinet sill plate as a guide. Install three (3) #12 x 2" long screws (Item 4) (see Figure 58).

**STEP 7. OUTSIDE SUPPORT MOUNTING** – Refer to Figures 57 and 58. Assemble the support brackets (Item 1) to the bottom of the cabinet with four (4) 10-24 1" long screws (Item 2) and four 10-24 flat nuts (Item 3). Adjust the support brackets, using a combination of the elongated holes of the bracket and different hole locations in the cabinet, to bring the bottom support bracket pads in contact with the wall. A 1" x 4" or 2" x 4" SPACER SHOULD BE USED BETWEEN THE WALL AND SUPPORT THE BRACKETS WHEN INSTALLED ON ALUMINUM OR VINYL SIDING. Drill  $\frac{5}{32}$ " diameter pilot holes and secure the brackets to the wall with two (2) 12A x 2" long screws (Item 4).


**NOTE:** DO NOT LEVEL the cabinet from front-to-back. Make sure there is approximately a  $\frac{3}{8}$ " to  $\frac{1}{2}$ " slope ( $\frac{1}{8}$  to  $\frac{1}{4}$  bubble on level) toward the outside of the house.

Adjust the support brackets to provide an inside-to-outside slope for excess condensation drainage (refer to Standard Window Installation, Figures 59 through 61). Tighten all screws.

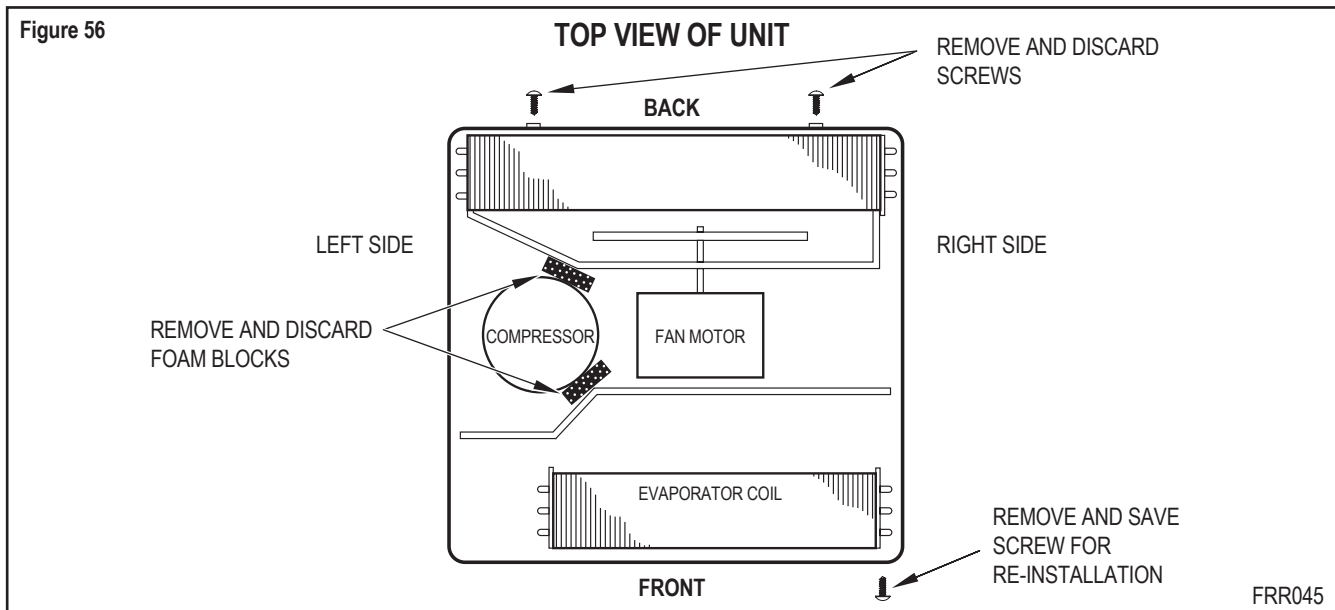
**Alternate support method A:** If you have a deep window sill which prevents you from mounting the brackets as shown in Figure 61, try the following: Using the elongated holes and different hole locations in the cabinet, set the placement of the bracket to support the unit's weight (Figure 62). Tighten all screws.

**Alternate support method B:** If the window ledge gap is narrow, try the following. Bend the bracket end tab flat. Cut the bracket in two (2) places as shown in Figure 63. Bend the short piece so it will be vertical when installed. Adjust the placement as required. Tighten all screws.

**STEP 8.** Measure and cut the wingboard panels (fit with about  $\frac{1}{8}$ " clearance) from the supplied Masonite (Item 8) to fit the space between the window side channels and cabinet (Figure 64). Make sure you include the depth of the window channel.

<b>NOTICE</b>	
	<p>For YOUR security and safety, YOU must provide a means of preventing the upper part of the window from opening.</p>

**STEP 9.** To assemble the wingboard panels, push on the "J" type speed nuts (Item 9) and spring steel clips (Item 10) (see Figure 65 on Page 35). Secure each panel with two (2) screws (Item 11). Refer to Figure 66 on Page 36.



# Standard Window Installation continued

Figure 57

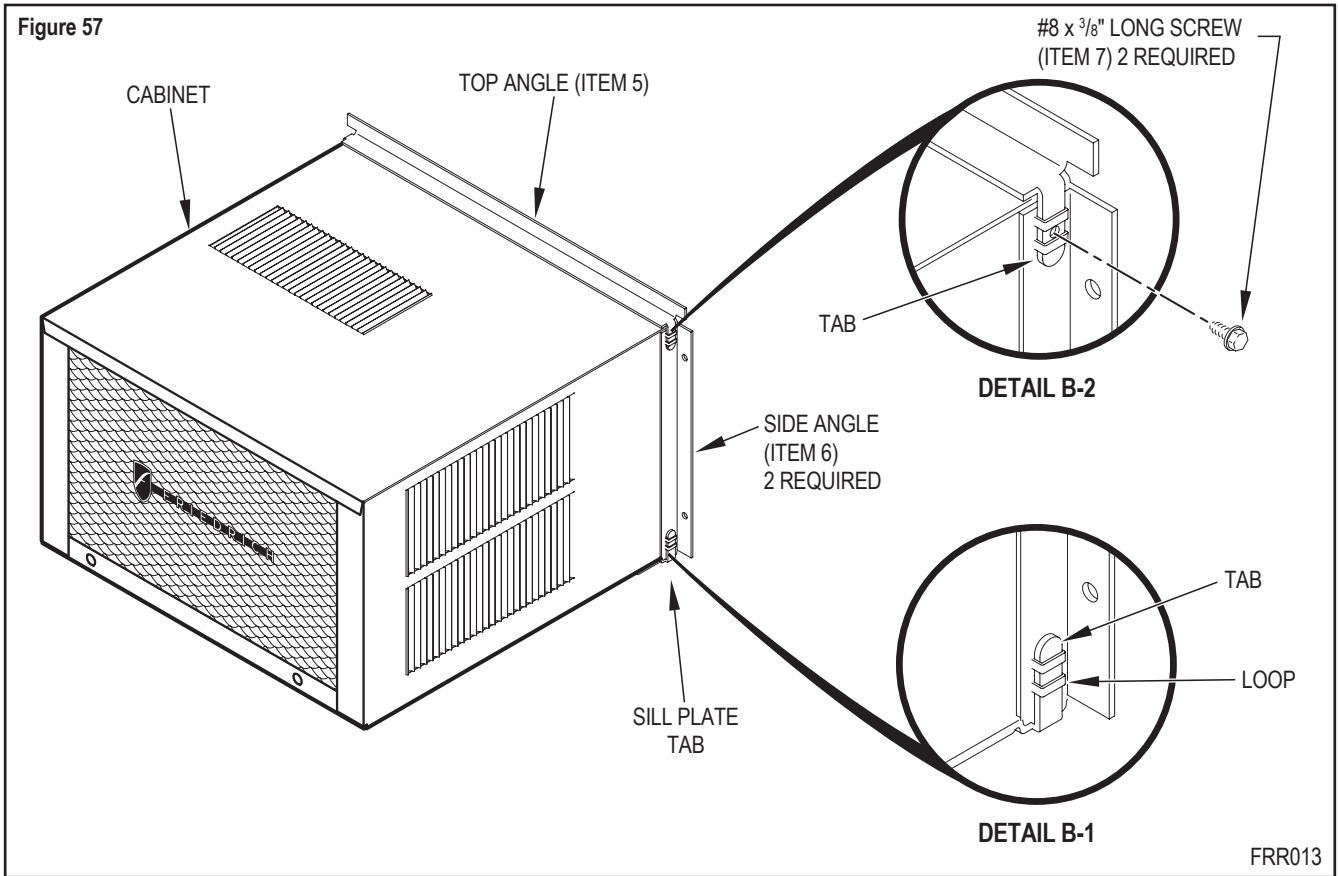
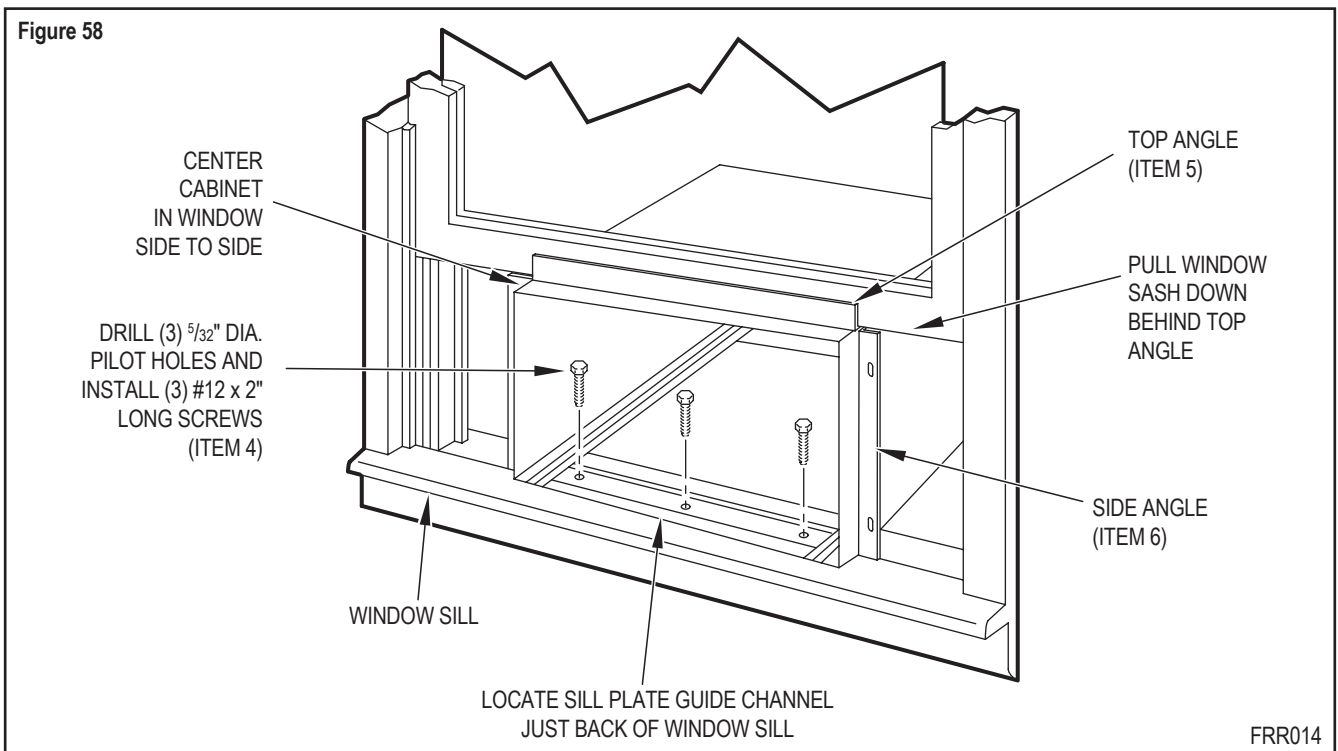
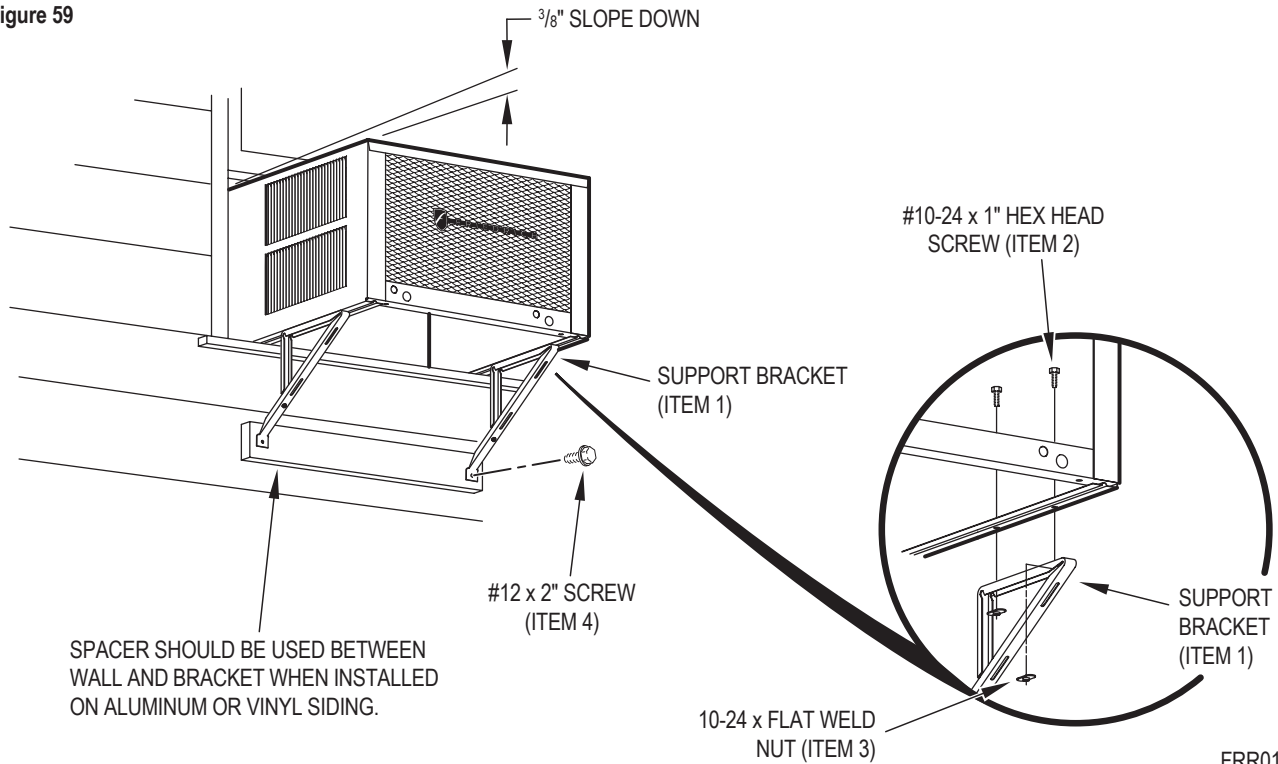


Figure 58



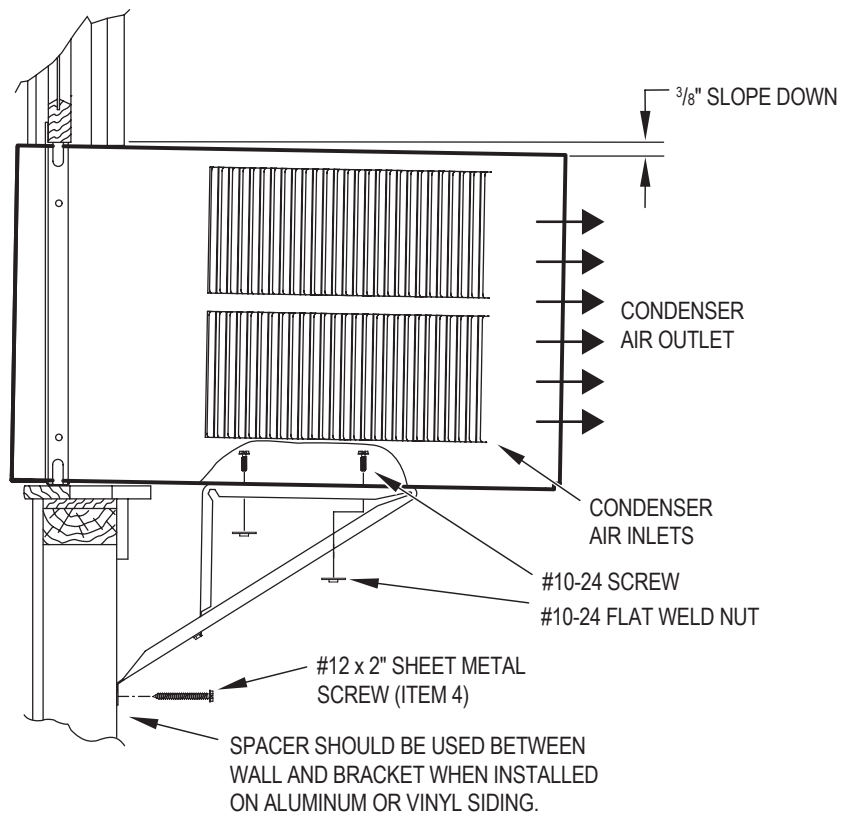
# Standard Window Installation continued

Figure 59



FRR015

Figure 60

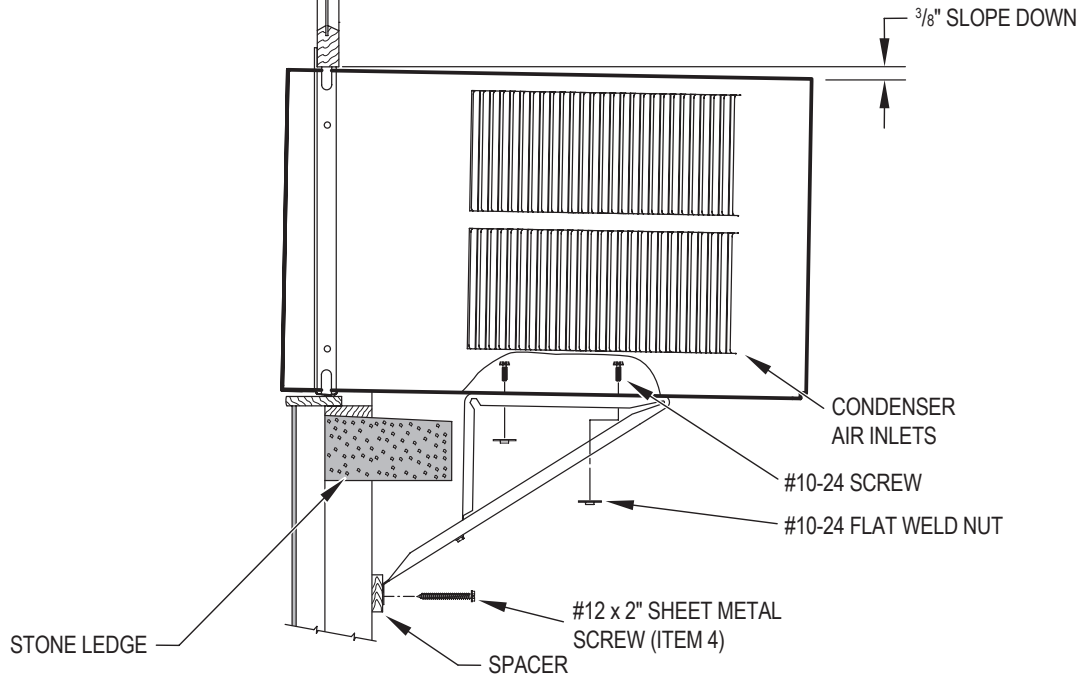


FRR016

# Standard Window Installation continued

Figure 61

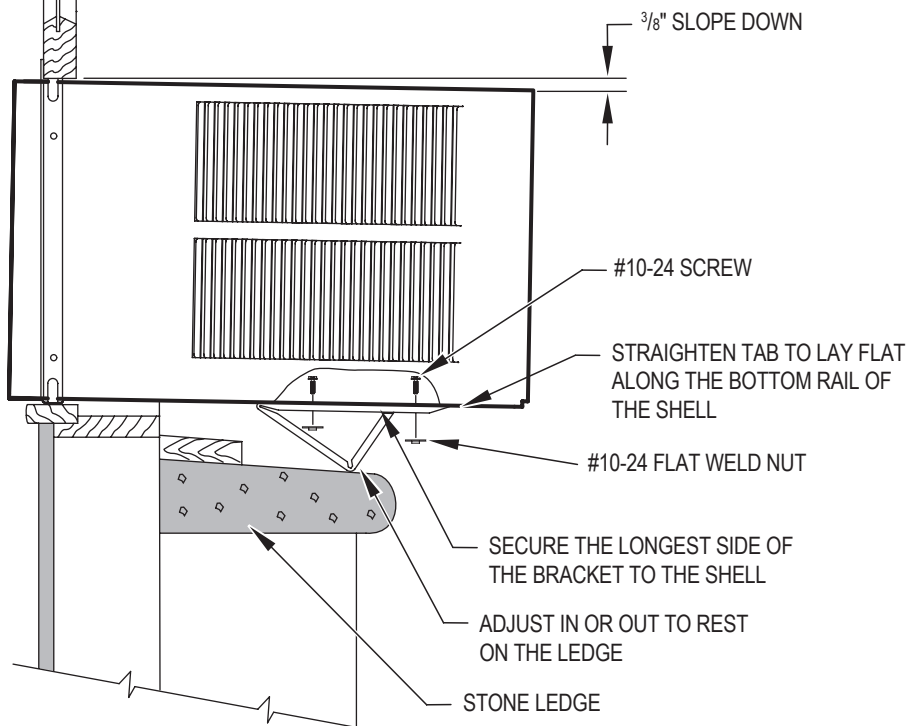
## FOR LEDGES



FRR017

Figure 62

## ALTERNATE METHOD A

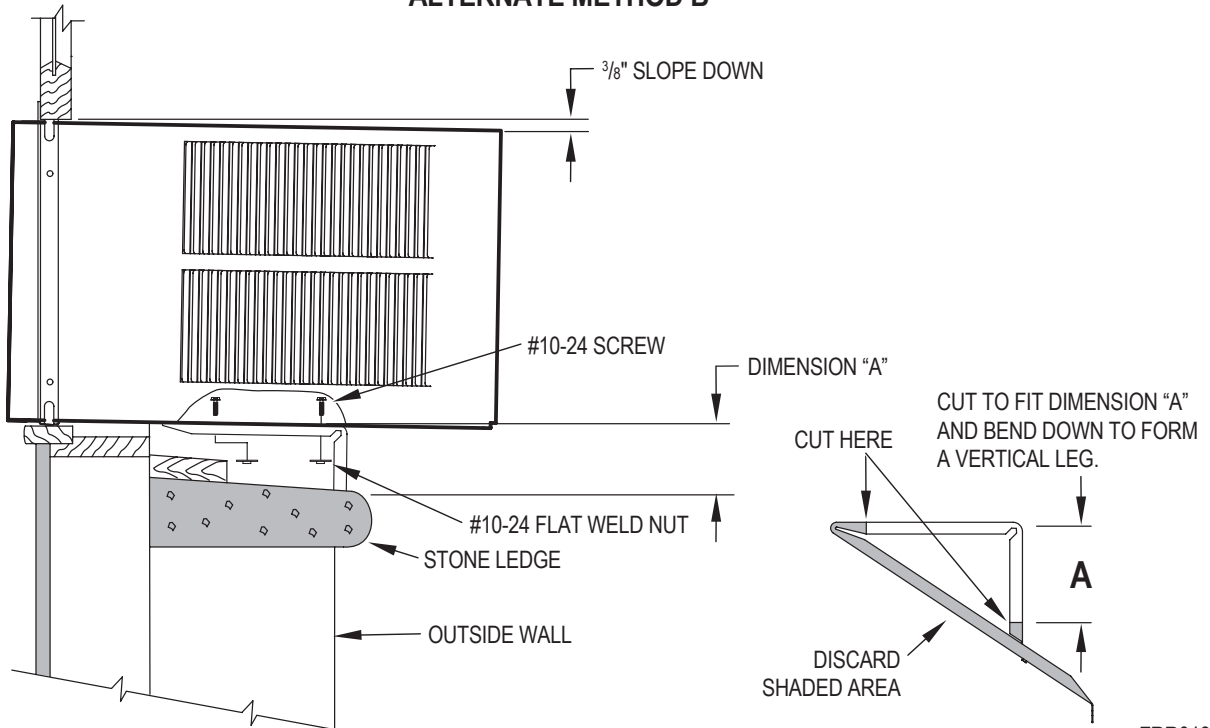


FRR018

# Standard Window Installation continued

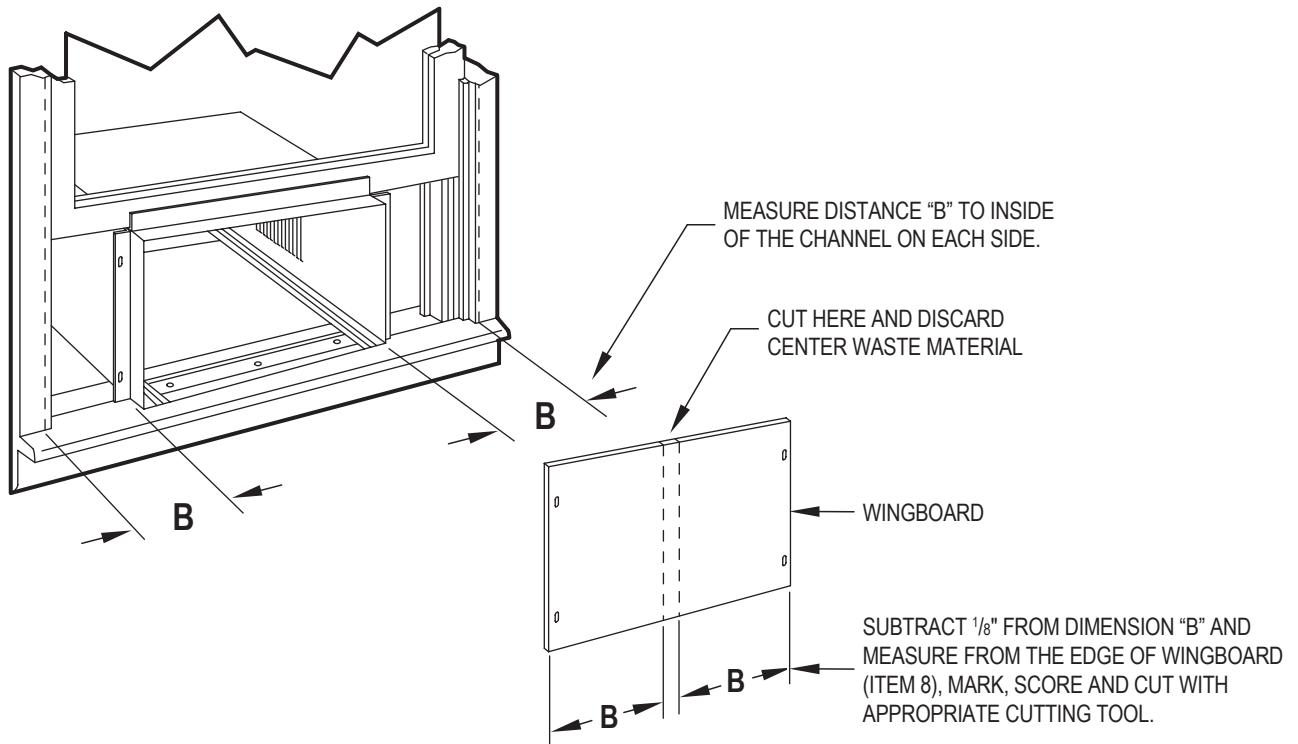
Figure 63

## ALTERNATE METHOD B




FRR019


Figure 64



FRR020

# Standard Window Installation continued

<b>⚠ WARNING</b>	
	<p><b>Falling Object Hazard</b></p> <p>Not following Installation Instructions for mounting your air conditioner can result in property damage, injury, or death.</p>

<b>⚠ CAUTION</b>	
	<p><b>Cut/Sever</b></p> <p>Although great care has been taken to minimize sharp edges in the construction of your unit, use gloves or other hand protection when handling unit</p> <p>Failure to do so can result in minor to moderate personal injury.</p>

**STEP 10. INSTALL THE R1 INSULATION PANEL** – To minimize air leaks and ensure optimal insulation, install the included R1 insulation panel (14 in parts list) (see Figure 67A-C).

First, measure the width from one side of the cabinet/sleeve (covering the side angles where the wingboard was just secured) to the end of the wingboard (see Figure 67A).

Next, cut the R1 insulation panel to the measured width and remove protective cover, exposing adhesive on back panel (see Figure 67B).

Last, evenly apply the adhesive side of the panel across the entire height and width from side angle to wingboard panel (see Figure 67C).

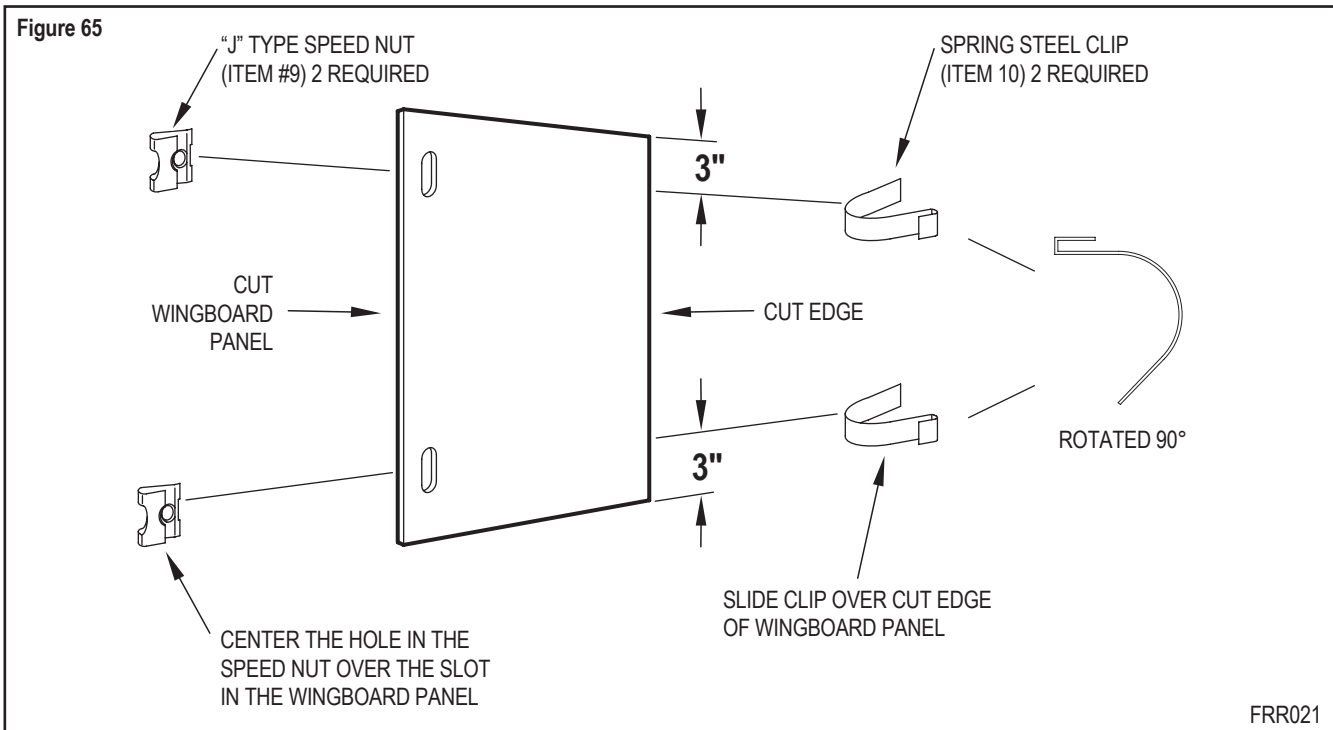
Repeat the steps above for the other wingboard panel.

**STEP 11. INSTALL THE WINDOW SEALING GASKETS** – Measure and cut the dark foam window seal gasket (Item 12) and install it between the upper glass panel and the top part of the window sash (see Figure 67A).

**STEP 12.** Carefully team lift the chassis and set it into the cabinet. Slide the chassis stopping approximately 3" from full insertion. Insert the chassis seal gasket (Item 13) one inch deep between the chassis and the cabinet (see Figure 68) as shown on Page 37. A paint stir stick or ruler might be helpful here. Begin inserting the gasket at either bottom corner and go up the side, across the top, and down the opposite side. Then push the chassis all the way into the cabinet.

**NOTE:** If the chassis seal gasket is not installed or installed improperly, the operation of the unit will be negatively affected. Operational noise and outside noise will also amplified.

**STEP 13.** Reattach the EntryGard™ chassis and EntryGard™ retainer wire with the same screw retained in Step 1 (see Figure 54).

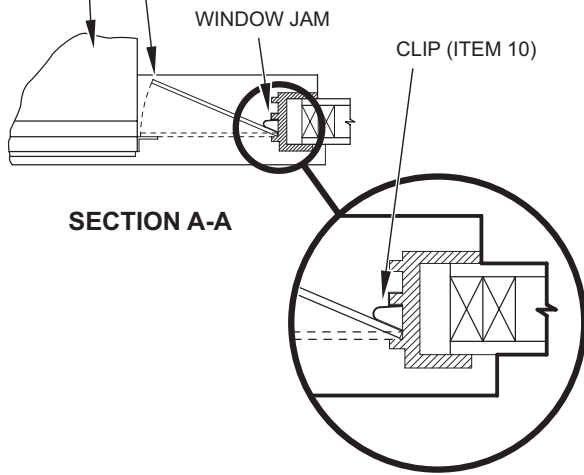


# Standard Window Installation continued

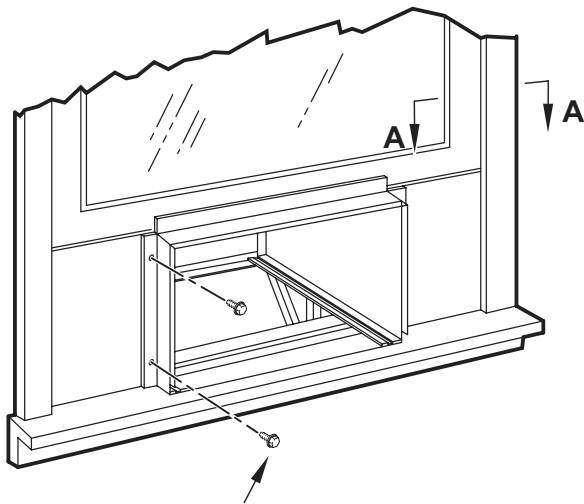
Figure 66

TOP OF CABINET

PLACE WINGBOARD PANEL IN WINDOW JAM TO COMPRESS THE SPRINGS INSIDE THE RUNNERS, AND SWING THE WINGBOARD PANELS INTO PLACE AS INDICATED BY THE DASHED LINES.



SECTION A-A

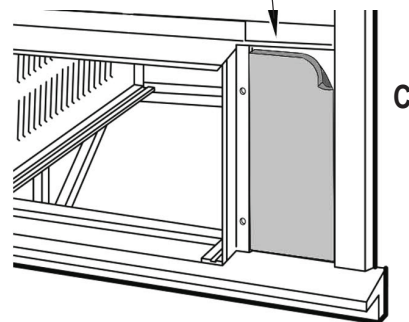
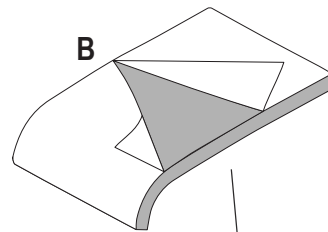
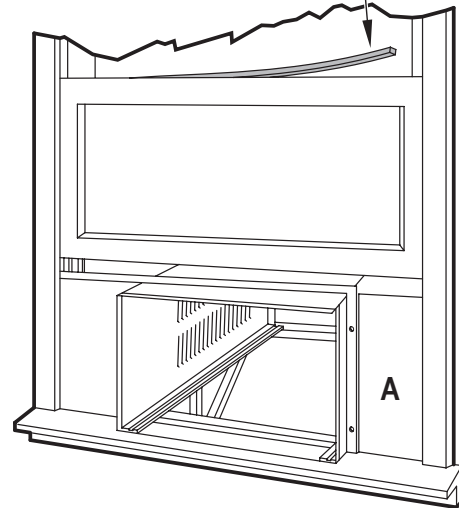


SECURE THE SIDE WINGBOARD PANELS TO THE SIDE ANGLES WITH FOUR (4) #8 x 1/2" LONG SCREWS (ITEM 11), TWO ON EACH SIDE.

FRR022

Figure 67

INSERT FOAM WINDOW SEAL GASKET (ITEM 12)



SECTION B-B

FRR023



# Standard Window Installation continued

**OPTIONAL:** The factory assembles the supply cord so that it exits the left side of the unit at the bottom. At the consumer's discretion, pull the supply cord taut through the loops (refer to Cord Routing Change, Figure 70) and route the cord down.

**STEP 14.** To attach and prevent damage to the front grille, align the cord notch over the cord and center the fresh air lever, then align and tighten the four (4) captive screws as indicated by the arrows in Figure 69. Before closing the front panel, be sure the filter is in place. Make sure curtains do not block the side air intakes.

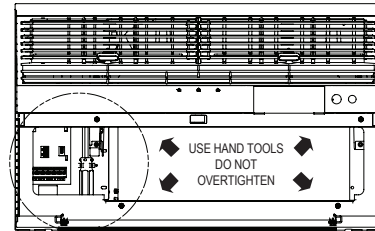
**STEP 15.** Refer to the Control Panel Operation section for instructions.

You are now to control the comfort level of the room.

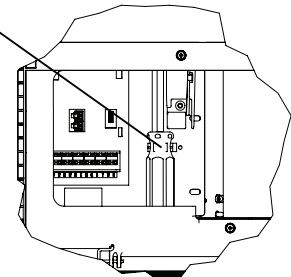
## Use Tool Provided

Please use the provided tool to attach the decorative front to the chassis.

Figure 69

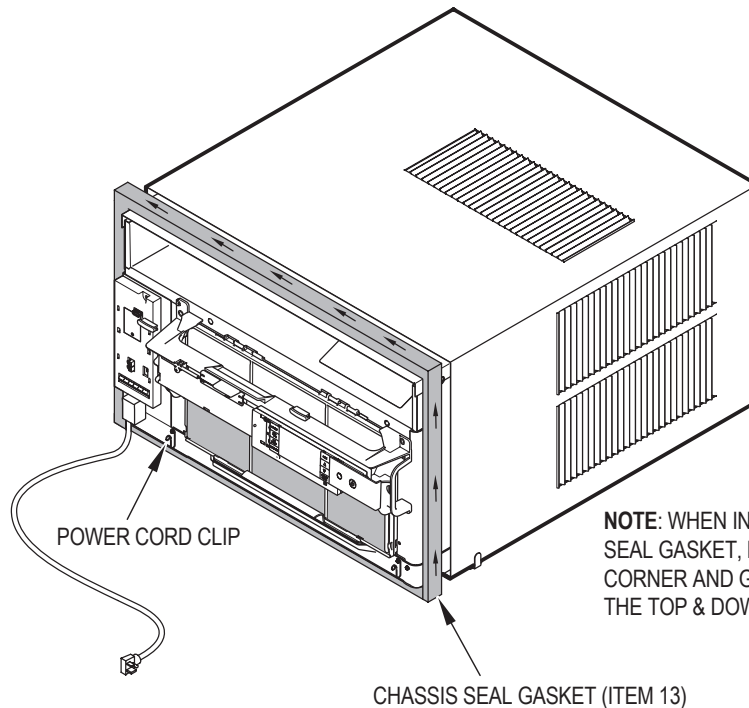


LOCATION OF GRILLE  
REMOVAL TOOL



FRR053

Figure 68




**NOTE:** WHEN INSTALLING THE CHASSIS SEAL GASKET, BEGIN AT EITHER BOTTOM CORNER AND GO UP THE SIDE & ACROSS THE TOP & DOWN THE OPPOSITE SIDE.

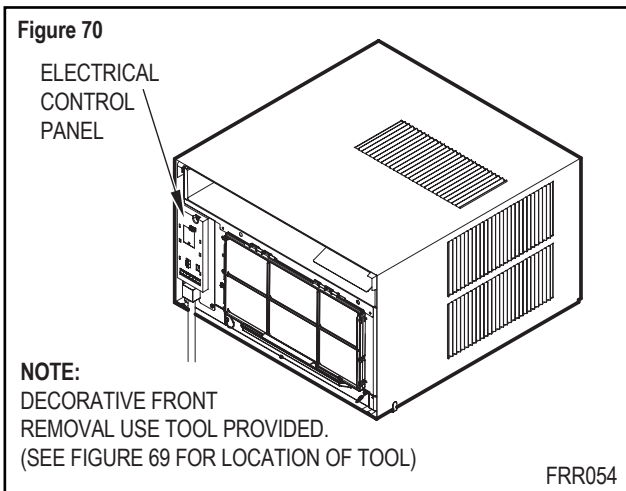
FRR024

# Cord Routing Change

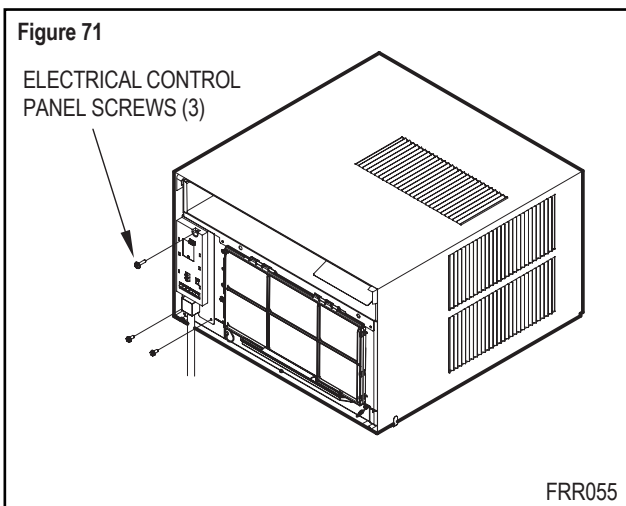
Unplug unit.

<b>⚠ WARNING</b>	
	<b>Electrical Shock Hazard</b> Make sure your electrical receptacle has the same configuration as your air conditioner's plug. If different, consult a Licensed Electrician.  Do not use plug adapters. Do not use an extension cord. Do not remove ground prong.
	Always plug into a grounded 3 prong outlet. Failure to follow these instructions can result in death, fire, or electrical shock.

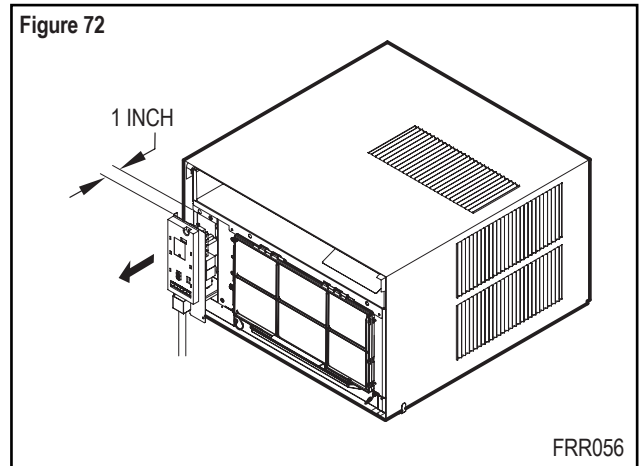
For convenience and optimum appearance, the direction that the power cord exits the unit may be changed from left to right by following the procedure below. Select the exit location on the left or right based on proximity to the power outlet.



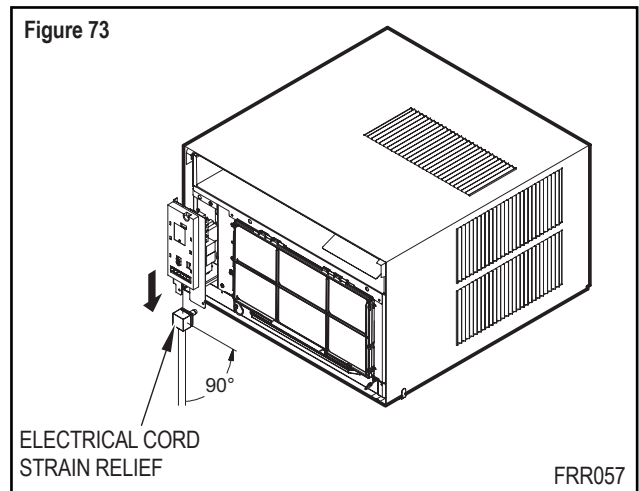
Remove the 3 screws as shown from the electrical control panel. Save to reinstall later.



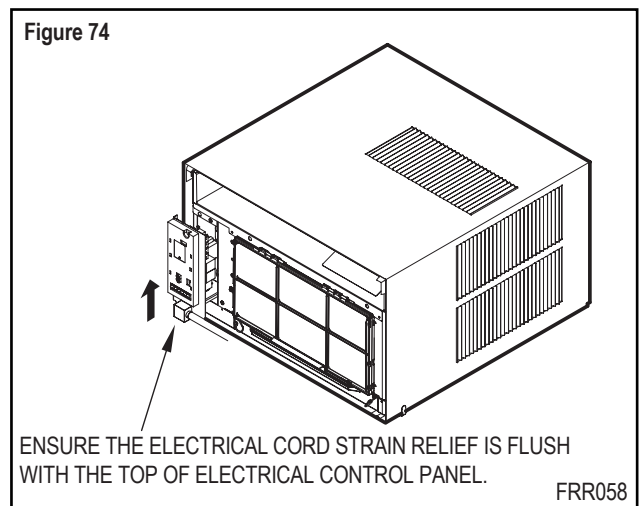
**STEP 16.** Carefully pull out electrical control panel 1", but not all the way.



**STEP 17.** Pull electrical cord strain relief downward until free and rotate 90 degrees to the right.

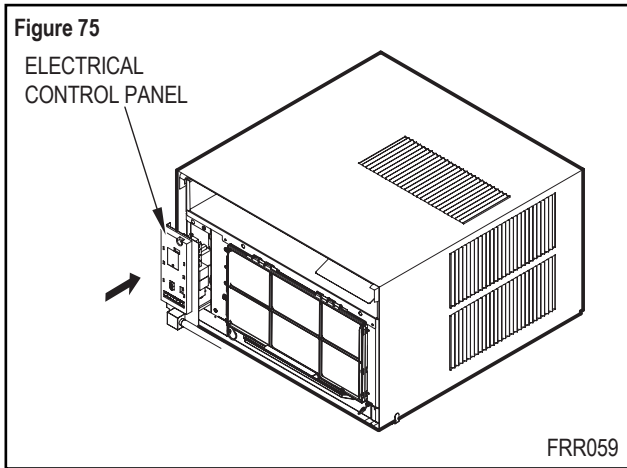


**STEP 18.** Push electrical cord strain relief back upward into the electrical control panel.

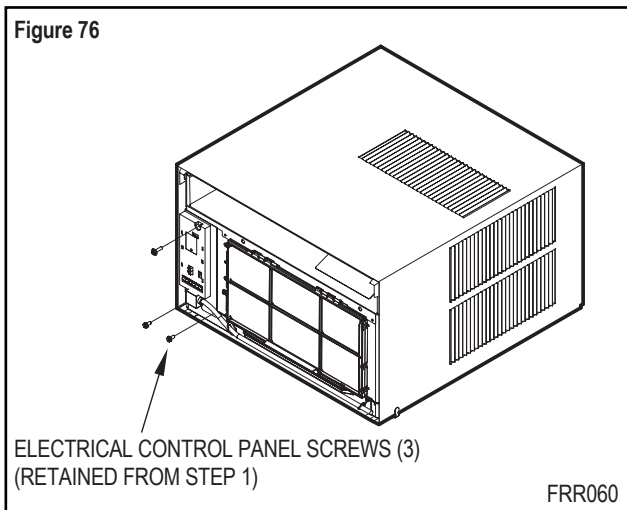


# Cord Routing Change continued

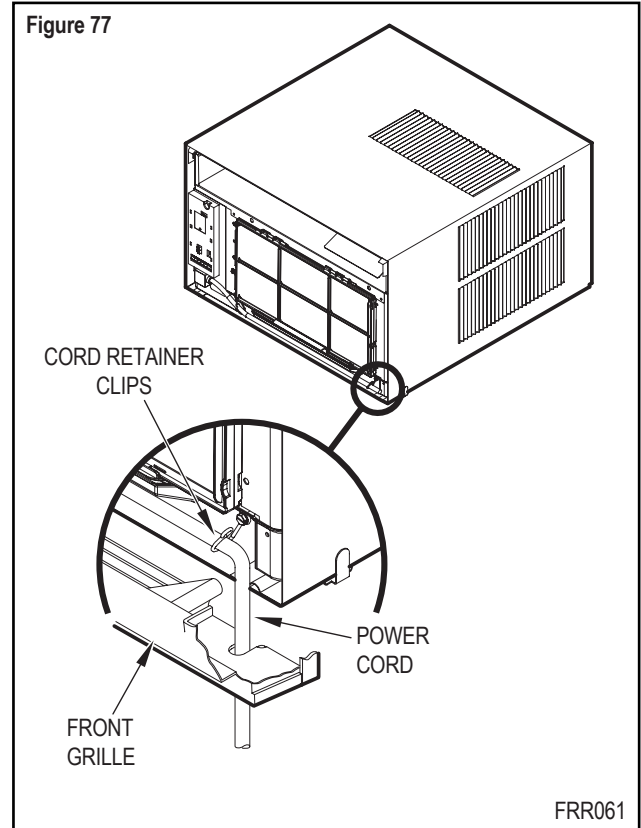
**STEP 19.** Carefully push electrical control panel back into chassis.




**STEP 20.** Reinstall the 3 screws removed earlier to secure electrical control panel.



**STEP 21.** If running power cord to the right of the unit, install the cord into the cord retainer clips along the bottom front of the unit.



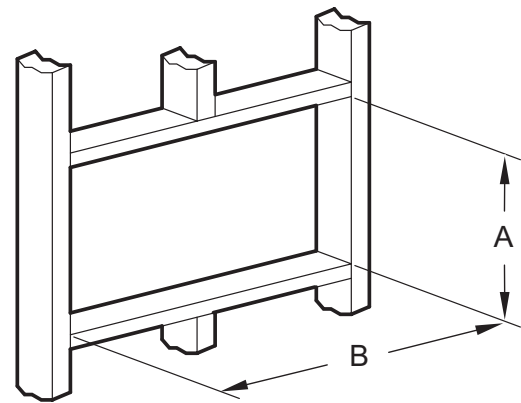
# Thru-the-Wall Installation

<b>⚠ WARNING</b>	
	<p><b>Falling Object Hazard</b></p> <p>Not following Installation Instructions for mounting your air conditioner can result in property damage, injury, or death.</p>

The following instructions apply to wood, masonry, brick, concrete or cinder block wall construction.

**STEP 1.** Follow Steps 1, 2, 3, and 4 of the “STANDARD WINDOW INSTALLATION” instructions beginning on Page 29.

**STEP 2. CABINET PREPARATION** – Remove the sill plate from the cabinet by removing two (2) nuts and screws (Figure 78). Note that the chassis retainer is secured by a right side nut and screw (Detail A, Figure 78). Bend the tabs of the sill plate down into its channel at both ends of the plate or cut them off (Detail B, Figure 78). Rotate the sill plate 180° (end-to-end, Detail B, Figure 78) and reinstall. Reverse the orientation of the nuts and screws, so that the head of the screws are on the underside of cabinet facing up and the nuts are on top (Detail C, Figure 78). Ensure that the chassis retainer is reinstalled as shown in the detail.



FINISHED DIMENSION	SMALL CHASSIS	MEDIUM CHASSIS	LARGE CHASSIS
A	16 <sup>3</sup> / <sub>16</sub> "	18 <sup>3</sup> / <sub>16</sub> "	20 <sup>3</sup> / <sub>8</sub> "
B	26 <sup>3</sup> / <sub>16</sub> "	26 <sup>3</sup> / <sub>16</sub> "	28 <sup>1</sup> / <sub>4</sub> "

**NOTE:** These dimensions are for finished opening size.

<b>NOTICE</b>
<p>The outside cabinet condenser air intake louvers <b>MUST NOT BE BLOCKED</b> by extra thick walls.</p>

**STEP 3. WALL PREPARATION** – The maximum wall thickness permissible without special construction is determined by the model size to be installed. Observe the maximum wall thickness shown in Figure 79. Walls exceeding the maximum thickness shown in the chart should be altered as shown in Figure 79.

**STEP 4. CHECKING WIRING AND PLUMBING** – Check for wiring and plumbing inside and outside of the wall to be sure none will be damaged when the cabinet framework is being constructed.

**STEP 5. OPENING CONSTRUCTION** – Depending upon size of unit to be installed, lay out the hole dimensions per Table 3. Cut and frame-in the opening to finished dimensions. If the wall construction is a typical frame, or 2" x 4" studding with brick or stone veneers, locate the opening next to one of the studs. For masonry, concrete, or cinder block walls, locate an opening for your convenience (see Figures 80, 81, and 82).

# Thru-the-Wall Installation continued

Figure 78

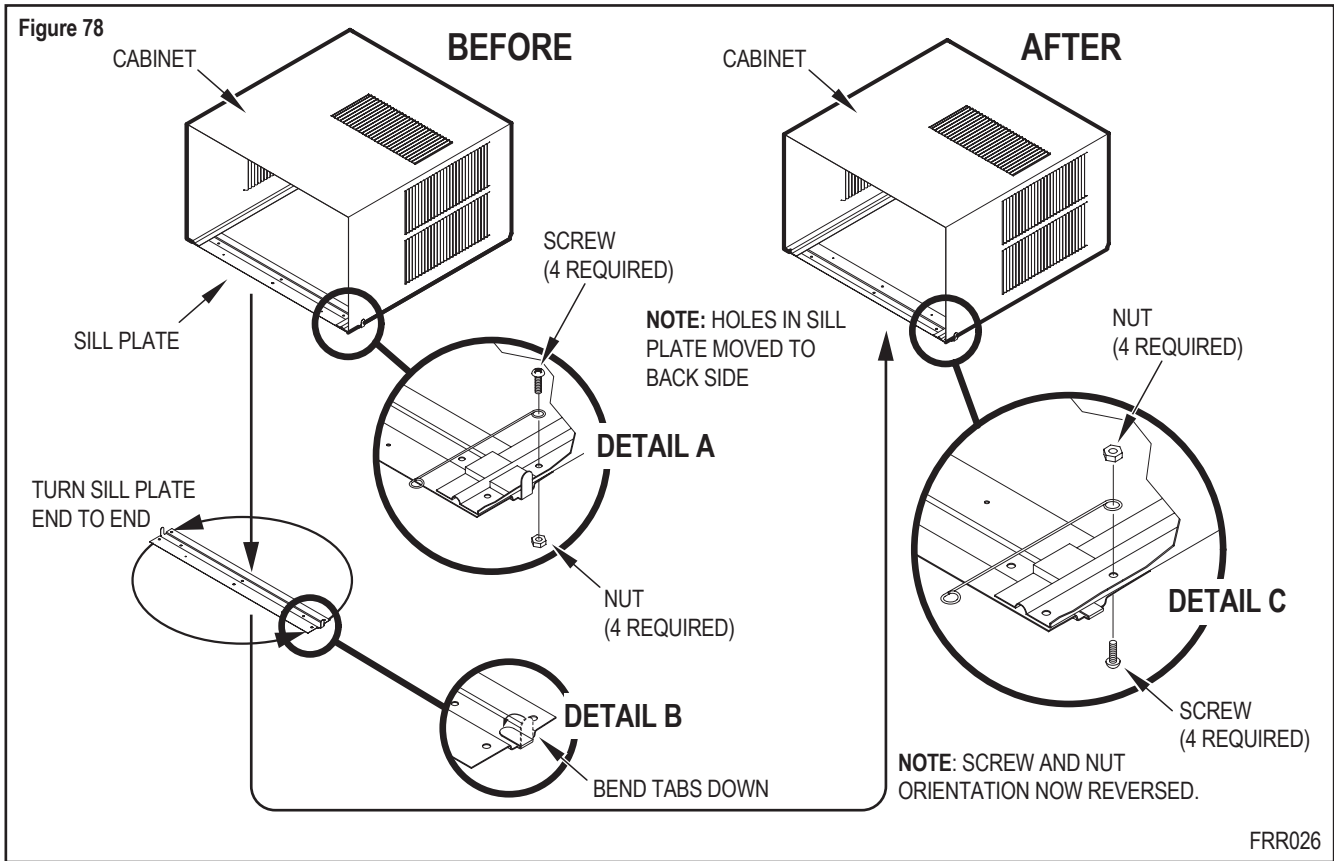
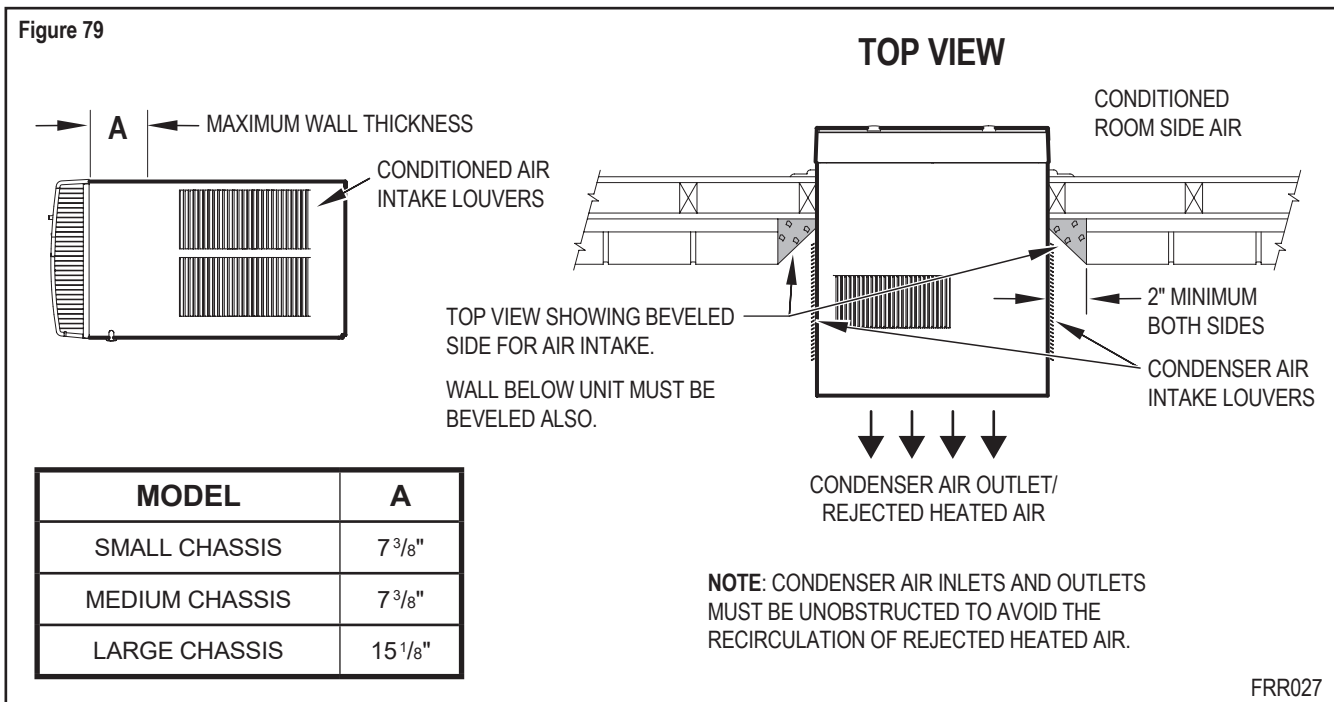
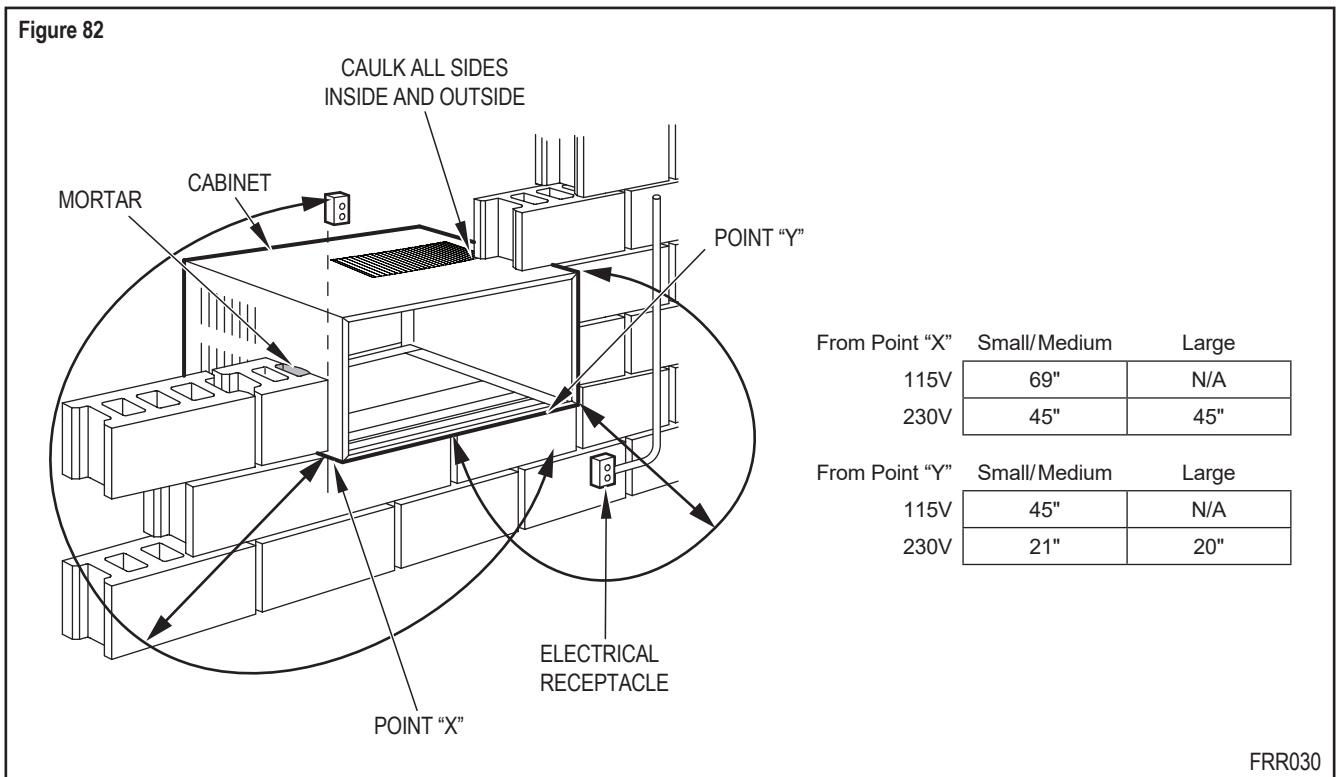
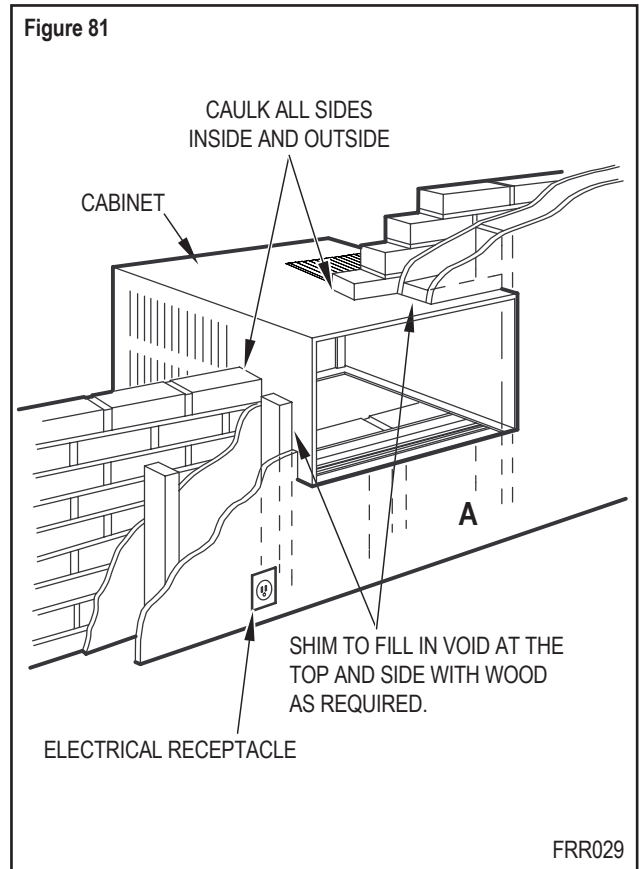
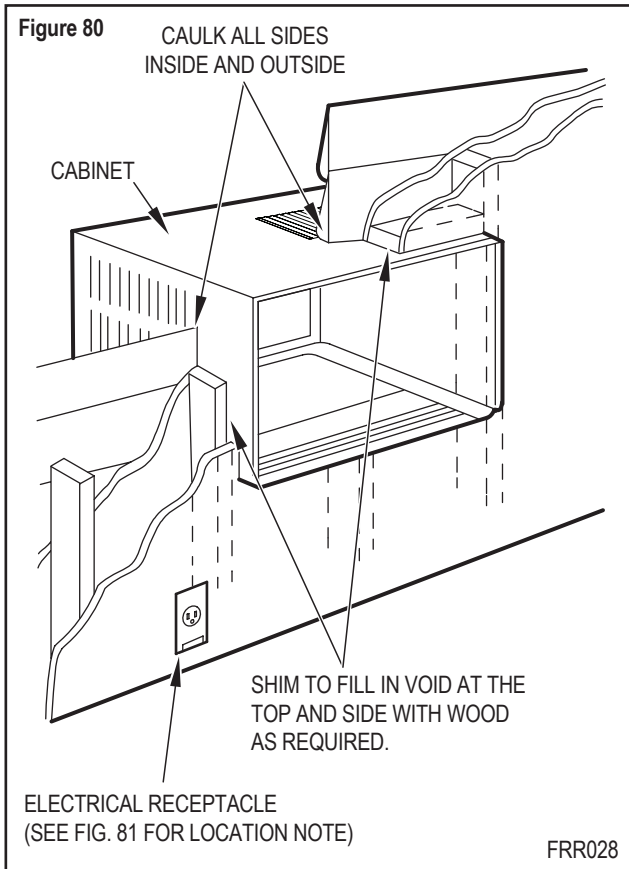


Figure 79



# Thru-the-Wall Installation continued



# Thru-the-Wall Installation continued

**STEP 6.** Slide the cabinet into the hole far enough to allow the guide-channel of the sill plate to contact the inside wall surface (Figure 83).

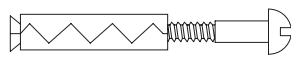
**STEP 7.** Drill three (3)  $\frac{5}{32}$ " diameter pilot holes (use the sill plate holes as a guide) into the frame and install three (3) #12 x 2" long screws (Item 4) (Figure 83).

**NOTE:** Alternate fasteners are required when securing the sill plate or support brackets to material other than wood (cinder block, brick, masonry, or concrete). These items can be purchased at your local hardware store.

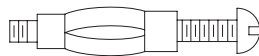
**NOTE:** DO NOT LEVEL the cabinet from front to back. Make sure there is approximately  $\frac{3}{8}$ " to  $\frac{1}{2}$ " slope ( $\frac{1}{8}$  to  $\frac{1}{4}$  bubble on the level) toward the outside of the house.

**STEP 8.** Drill two (2)  $\frac{5}{32}$ " diameter pilot holes in each cabinet side at the locations shown (Figure 83) and install four (4) #12 x 2" screws (Item 4). Provided that Step 5 (hole construction) provides a sturdy mount with solid vertical studs, support brackets may not be required. The installation must support the weight of the unit plus an additional weight of 400 pounds on the rear of the cabinet. If support brackets (Item 1) are available, they can be installed as shown in Figure 83.

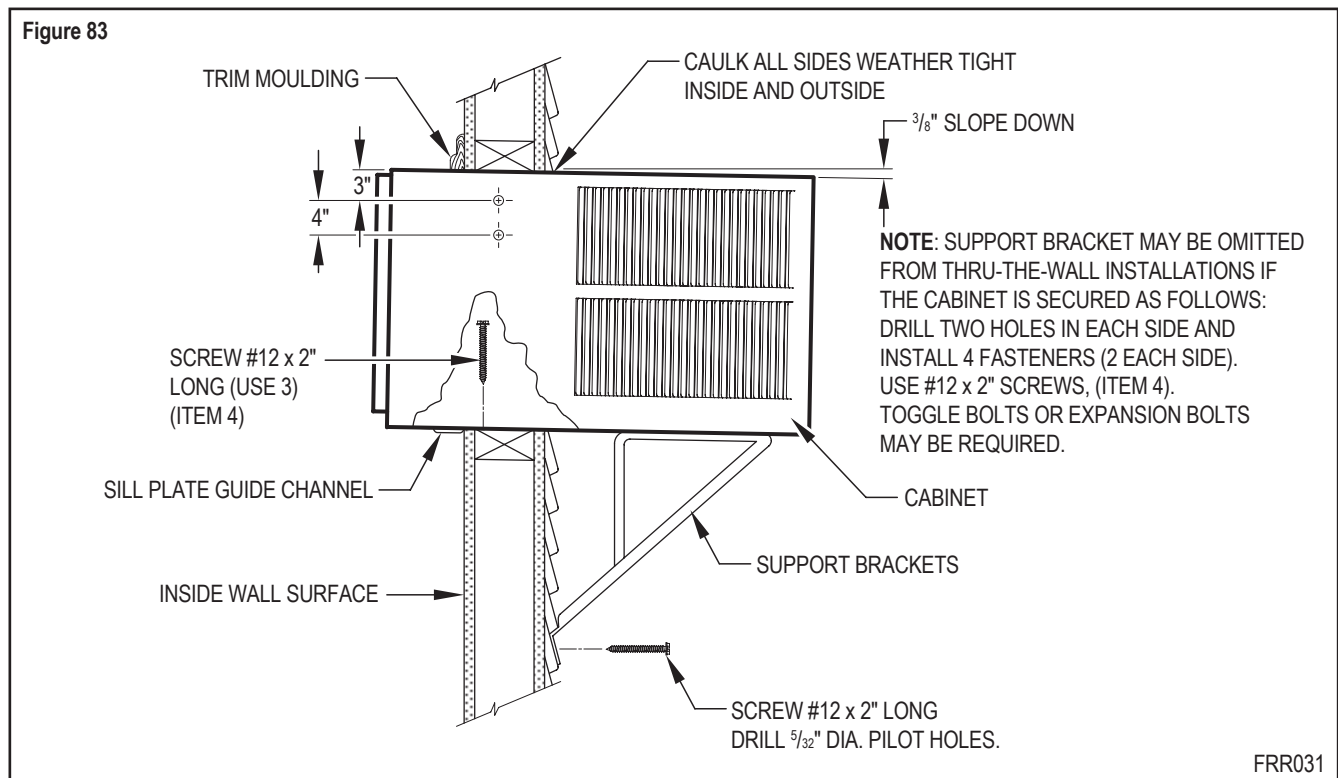
**STEP 9.** Complete the installation by following Steps 12 through 15 of "STANDARD WINDOW INSTALLATION" instructions, starting on Page 35.



EXPANSION ANCHOR BOLT



MOLLY OR TOGGLE BOLT



# Final Inspection & Start-up Checklist

- ◆ Inspect and ensure that all components and accessories have been installed properly and that they have not been damaged during the installation progress.
- ◆ Check the condensate water drain(s) to ensure that they are adequate for the removal of condensate water, and that they meet the approval of the end user.
- ◆ Ensure that all installation instructions concerning clearances around the unit have been adhered to. Check to ensure that the unit air filter, indoor coil, and outdoor coil are free from any obstructions.
- ◆ Ensure that the circuit breaker(s) or fuse(s) and supply circuit wire size have been sized correctly. If the unit was supplied with a power supply cord, insure that it is stored properly.
- ◆ Ensure that the entire installation is in compliance with all applicable national and local codes and ordinances having jurisdiction.
- ◆ Secure components and accessories, such as a decorative front cover.
- ◆ Start the unit and check for proper operation of all components in each mode of operation.
- ◆ Instruct the owner or operator of the units operation, and the manufacturer's Routine Maintenance.

**NOTE:** A log for recording the dates of maintenance and/or service is recommended.

- ◆ Present the owner or operator of the equipment with the Installation & Operation Manual, all accessory installation instructions, and the name, address, and telephone number of the Authorized Friedrich Warranty Service Company in the area for future reference if necessary.

## This is a warm weather appliance

Your air conditioner is designed to cool in warm weather when the outside temperature is above 60 °F (15.6 °C) and below 115 °F (46.1 °C), so it won't cool a room if it is already cool outside. If you want to cool a room in the spring or fall, select the **FAN ONLY** mode and set the Fresh Air/Exhaust air control to Fresh Air. This will bring in a supply of cooler outside air.

## Condensation is normal

Air conditioners actually pump the heat and humidity from your room to the outside. Humidity becomes water, and your air conditioner will use most of the water to keep the outside coil cool. If there is excessive humidity, there may be excess water that will drip outside. This is normal operation.

## Frosting

This usually occurs because of insufficient airflow across the coils, a dirty filter, cool damp weather, or all these. Set the SYSTEM mode to **FAN ONLY** and the frost will disappear. Setting the thermostat a little warmer will probably prevent the frosting from recurring.

## Noises

All air conditioners make some noise. Friedrich units are designed to operate as quietly as possible. An air conditioner mounted in a wall is quieter than one mounted in a window. It is important to ensure that the chassis seal gasket (Item 13) is properly installed (refer to the Installation Instructions).

## Heat pumps operate differently

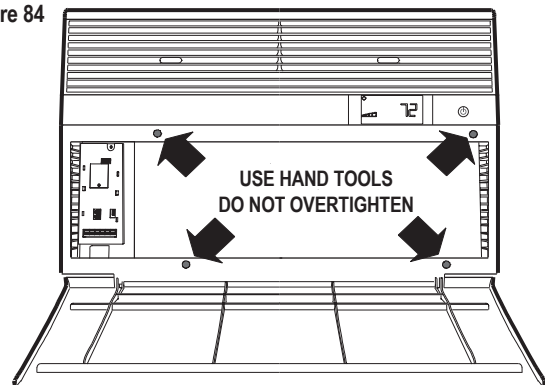
If your unit is a "KH", or heat pump model, there are some things that you will want to be aware of. Some functions of a heat pump differ from your unit when it is used for heating:

1. It is normal for ice to form on the outdoor coil of the heat pump. Moisture in the outside air, passing over the coil when very cold, will form ice.
2. If the outdoor temperature drops below 37 °F (3 °C), your heat pump will automatically turn on the electric resistance heat. When the temperature rises to 40 °F (4 °C), the compressor will resume the heat pump operation. If your unit is a 115 volt model (KHS10), it is designed for use in warmer climates and does not have an electrical heat feature, and will not provide adequate heat below 37 °F (2.8 °C).

## Control Panel Battery Change Procedure

Remove the grille, by loosening four (4) captive screws (see Figure 84). In the upper left corner, remove one (1) screw on the battery retaining door (see Figure 85). Remove and replace the battery (CR2450). Reinstall the battery retaining door. Align the grille guide pins then tighten the four (4) captive screws. Before closing the grille panel door, check the filter. Clean or replace it as necessary.

Figure 84



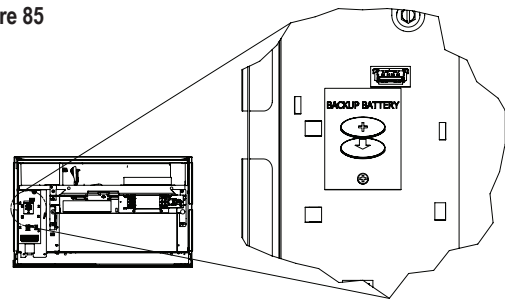
1. USE HAND TOOLS WHEN INSTALLING AND REMOVING FRONT PANEL. DO NOT OVERTIGHTEN SCREWS.



2. DISCONNECT POWER AND FOLLOW ALL LABELED WARNINGS WHEN FRONT PANEL IS REMOVED.

FRR010

Figure 85





# Routine Maintenance

To ensure proper unit operation, the air filter should be cleaned at least monthly, and more frequently if conditions warrant. The unit must be turned off before the filter is cleaned.

## To Remove, Wash and Replace Filter

Lower front panel (Figure 2). Use the handle on the filter to flex filter up and out of retainer. Remove filter from unit (Figure 3). Clean the filter monthly or more frequently if needed. Refer to the Accessories section for filter options.

## Coils & Chassis

**NOTE:** Do not use a caustic cleaning agent on coils or base pan. Use a biodegradable cleaning agent and degreaser. The use of harsh cleaning materials may lead to deterioration of the aluminum fins or the coil end plates.

The indoor coil and outdoor coils and base pan should be inspected periodically (annually or semi-annually) and cleaned of all debris (lint, dirt, leaves, paper, etc.) as necessary. Under extreme conditions, more frequent cleaning may be required. Clean the coils and base pan with a soft brush and compressed air or vacuum. A pressure washer may also be used; however, you must be careful not to bend the aluminum fin pack. Use a sweeping up and down motion in the direction of the vertical aluminum fin pack when pressure cleaning coils.

**NOTE:** It is extremely important to insure that none of the electrical and/or electronic parts of the unit get wet. Be sure to cover all electrical components to protect them from water or spray.

## Decorative Front

Use a damp (not wet) cloth when cleaning the control area to prevent water from entering the unit, and possibly damaging the electronic control.

The decorative front and the cabinet can be cleaned with warm water and a mild liquid detergent. Do NOT use solvents or hydrocarbon based cleaners such as acetone, naphtha, gasoline, benzene, etc.

The indoor coil can be vacuumed with a dusting attachment if it appears to be dirty. DO NOT BEND FINS. The outdoor coil can be gently sprayed with a hose if you can get to it. If not, you might call your dealer for a more thorough cleaning when needed.

The air filter should be inspected weekly and cleaned if needed by vacuuming with a dust attachment or by cleaning in the sink using warm water and a mild dishwashing detergent. Dry the filter thoroughly before reinstalling. Use caution, the coil surface can be sharp.

## Fan Motor & Compressor

The fan motor & compressor are permanently lubricated and require no additional lubrication.

## Wall Sleeve

Inspect the inside of the wall sleeve and drain system periodically (annually or semi-annually) and clean as required. Under extreme conditions, more frequent cleaning may be necessary. Clean both of these areas with an antibacterial and antifungal cleaner. Rinse both items thoroughly with water and ensure that the drain outlets are operating correctly. Check the sealant around the sleeve and reseal areas as needed.

# Service and Assistance

Before calling for service, please check the "Troubleshooting Tips" section on Pages 46 and 47. This may help you to find the answer to your problem, avoid unnecessary service calls, and save you the cost of a service call if the problem is not due to the product itself. If you have checked the "Basic Troubleshooting" section and still need help, it is available as follows:

You can find the name of your local Authorized Service Provider by visiting our website at [www.friedrich.com](http://www.friedrich.com).

## If you require further assistance

You can call the Customer Support Call Center at **1-800-541-6645**.

Before calling, please make sure that you have the complete model and serial number, and date of purchase of your equipment available. By providing us with this information, we will be better able to assist you.

## Our specialists are able to assist you with:

- ◆ Specifications and Features of our equipment.
- ◆ Referrals to dealers, and distributors.
- ◆ Use and Care Information.
- ◆ Recommended maintenance procedures.
- ◆ Installation information.
- ◆ Referrals to Authorized Service Providers and Parts depots.

## Available Accessories

### DC-2 Drain Kit – Part No. 01900235

In some installations, excess condensate water caused by extremely humid conditions, may result in an undesirable water drip such as on a patio or over an entryway. MODEL DC-2 DRAIN KIT (Part No. 01900-235) can be installed to drain excess condensation to an alternate location.

### Carbon Filter Kits

The kits vary depending on the chassis size (small, medium, large). Each kit contains three (3) filters.

**KWCFS** – Carbon filter kit for small chassis models.

**KWCFM** – Carbon filter kit for medium chassis models.

**KWCFL** – Carbon filter kit for large chassis models.

### FriedrichLink™ Adapter Accessory

**KWIFI** – FriedrichLink™ Adapter Accessory for wireless control and additional programming options.

### Decorative Color Front Panel Kits

The kits vary depending on the chassis size (small, medium, large).

**KWBGE(S/M/L)A** – S/M/L Decorative Front Cover in Classic Beige

**KWBLK(S/M/L)A** – S/M/L Decorative Front Cover in Black Onyx

**KWBLU(S/M/L)A** – S/M/L Decorative Front Cover in Cobalt Blue

**KWPNK(S/M/L)A** – S/M/L Decorative Front Cover in Pink Diamond

**KWRED(S/M/L)A** – S/M/L Decorative Front Cover in Deep Red

**KWWHT(S/M/L)A** – S/M/L Decorative Front Cover in Designer White

### Window Installation Kits (Standard in Kühl Models without Heat)

**KWIKS** – For all KES and KHS models.

**KWIKM** – For all KEM and KHM models.

**KWIKL** – For all KEL and KHL models.

See [www.friedrich.com](http://www.friedrich.com) for additional accessories for your unit.

# Troubleshooting Tips

COMPLAINT	CAUSE	SOLUTION
Unit does not operate.	<ul style="list-style-type: none"> <li>The unit is turned to the off position, or the thermostat is satisfied.</li> </ul>	<ul style="list-style-type: none"> <li>Turn the unit to the on position and raise or lower temperature setting (as appropriate) to call for operation.</li> </ul>
	<ul style="list-style-type: none"> <li>The LCDI power cord is unplugged.</li> </ul>	<ul style="list-style-type: none"> <li>Plug into a properly grounded 3 prong receptacle. See “Electrical Rating Tables” on Page 6 for the proper receptacle type for your unit.</li> </ul>
	<ul style="list-style-type: none"> <li>The LCDI power cord has tripped (Reset button has popped out).</li> </ul>	<ul style="list-style-type: none"> <li>Press and release RESET (Listen for click. Reset button latches and remains in.) to resume operation.</li> </ul>
	<ul style="list-style-type: none"> <li>The circuit breaker has tripped or the supply circuit fuse has blown.</li> </ul>	<ul style="list-style-type: none"> <li>Reset the circuit breaker, or replace the fuse as applicable. If the problem continues, contact a licensed electrician.</li> </ul>
	<ul style="list-style-type: none"> <li>There has been a local power failure.</li> </ul>	<ul style="list-style-type: none"> <li>The unit will resume normal operation once power has been restored.</li> </ul>
Unit Trips Circuit Breaker or Blows Fuses.	<ul style="list-style-type: none"> <li>Other appliances are being used on the same circuit.</li> </ul>	<ul style="list-style-type: none"> <li>The unit requires a dedicated outlet circuit, not shared with other appliances.</li> </ul>
	<ul style="list-style-type: none"> <li>An extension cord is being used.</li> </ul>	<ul style="list-style-type: none"> <li>Do NOT use an extension cord with this or any other air conditioner.</li> </ul>
	<ul style="list-style-type: none"> <li>The circuit breaker or time-delay fuse is not of the proper rating.</li> </ul>	<ul style="list-style-type: none"> <li>Replace with a circuit breaker or time-delay fuse of the proper rating. See “Electrical Rating Tables” on Page 6 for the proper circuit breaker/fuse rating for your unit. If the problem continues, contact a licensed electrician.</li> </ul>
LCDI Power Cord Trips (Reset Button Pops Out).	<ul style="list-style-type: none"> <li>The LCDI power cord can trip (Reset button pops out) due to disturbances on your power supply line.</li> </ul>	<ul style="list-style-type: none"> <li>Press and release RESET (Listen for click. Reset button latches and remains in.) to resume normal operation.</li> </ul>
	<ul style="list-style-type: none"> <li>Electrical overload, overheating, or cord pinching can trip (Reset button pops out) the LCDI power cord.</li> </ul>	<ul style="list-style-type: none"> <li>Once the problem has been determined and corrected, press and release RESET (Listen for click. Reset button latches and remains in.) to resume normal operation.</li> </ul>
	<p><b>NOTE:</b> A damaged power supply cord must be replaced with a new power supply cord obtained from the product manufacturer and must not be repaired.</p>	
Unit Does Not Cool/ Heat Room Sufficiently, or Cycles On And Off Too Frequently.	<ul style="list-style-type: none"> <li>The return/ discharge air grille is blocked.</li> </ul>	<ul style="list-style-type: none"> <li>Ensure that the return and/or discharge air paths are not blocked by curtains, blinds, furniture, etc.</li> </ul>
	<ul style="list-style-type: none"> <li>Windows or doors to the outside are open.</li> </ul>	<ul style="list-style-type: none"> <li>Ensure that all windows and doors are closed.</li> </ul>
	<ul style="list-style-type: none"> <li>The temperature is not set at a cool enough/ warm enough setting.</li> </ul>	<ul style="list-style-type: none"> <li>Adjust the Temperature control to a cooler or warmer setting as necessary.</li> </ul>
	<ul style="list-style-type: none"> <li>The filter is dirty or obstructed.</li> </ul>	<ul style="list-style-type: none"> <li>Clean the filter, (see Routine Maintenance), or remove obstruction.</li> </ul>
	<ul style="list-style-type: none"> <li>The indoor coil or outdoor coil is dirty or obstructed.</li> </ul>	<ul style="list-style-type: none"> <li>Clean the coils, (see Routine Maintenance), or remove obstruction.</li> </ul>
	<ul style="list-style-type: none"> <li>There is excessive heat or moisture (cooking, showers, etc.) in the room.</li> </ul>	<ul style="list-style-type: none"> <li>Be sure to use exhaust vent fans while cooking or bathing and, if possible, try not to use heat producing appliances during the hottest part of the day.</li> </ul>
	<ul style="list-style-type: none"> <li>The temperature of the room you are trying to cool is extremely hot.</li> </ul>	<ul style="list-style-type: none"> <li>Allow additional time for the air conditioner to cool off a very hot room.</li> </ul>

## Troubleshooting Tips continued

COMPLAINT	CAUSE	SOLUTION
Unit Does Not Cool/ Heat Room Sufficiently, or Cycles On And Off Too Frequently (continued).	<ul style="list-style-type: none"> <li>The outside temperature is below 60 °F (16 °C).</li> </ul>	<ul style="list-style-type: none"> <li>Do not try to operate your air conditioner in the cooling mode when the outside temperature is below 60 °F (16 °C). The unit will not cool properly, and the unit may be damaged.</li> </ul>
	<ul style="list-style-type: none"> <li>The digital control is set to fan cycling mode.</li> </ul>	<ul style="list-style-type: none"> <li>Since the fan does not circulate the room air continuously at this setting, the room air does not mix as well and hot (or cold) spots may result. Using the continuous fan setting is recommended to obtain optimum comfort levels.</li> </ul>
	<ul style="list-style-type: none"> <li>The air conditioner has insufficient cooling capacity to match the heat gain of the room.</li> </ul>	<ul style="list-style-type: none"> <li>Check the cooling capacity of your unit to ensure it is properly sized for the room in which it is installed. Room air conditioners are not designed to cool multiple rooms.</li> </ul>
	<ul style="list-style-type: none"> <li>The air conditioner has insufficient heating capacity to match the heat loss of the room.</li> </ul>	<ul style="list-style-type: none"> <li>Check the heating capacity of your unit. Air conditioners are sized to meet the cooling load, and heater size is then selected to meet the heating load. In extreme northern climates, room air conditioners may not be able to be used as a primary source of heat.</li> </ul>
Unit Runs Too Much.	<ul style="list-style-type: none"> <li>This may be due to an excessive heat load in the room.</li> </ul>	<ul style="list-style-type: none"> <li>If there are heat producing appliances in use in the room, or if the room is heavily occupied, the unit will need to run longer to remove the additional heat.</li> </ul>
	<ul style="list-style-type: none"> <li>It may also be due to an improperly sized unit.</li> </ul>	<ul style="list-style-type: none"> <li>Be sure to use exhaust vent fans while cooking or bathing and, if possible, try not to use heat producing appliances during the hottest part of the day.</li> </ul>
	<ul style="list-style-type: none"> <li>This may be normal for higher efficiency (EER) air conditioners.</li> </ul>	<ul style="list-style-type: none"> <li>The use of higher efficiency components in your new air conditioner may result in the unit running longer than you feel it should. This may be more apparent, if it replaced an older, less efficient, model. The actual energy usage, however, will be significantly less when compared to older models.</li> </ul>
	<ul style="list-style-type: none"> <li>You may notice that the discharge air temperature of your new air conditioner may not seem as cold as you may be accustomed to from older units. This does not; however, indicate a reduction in the cooling capacity of the unit.</li> </ul>	<ul style="list-style-type: none"> <li>The energy efficiency ratio (EER) and cooling capacity rating (Btu/h) listed on the unit's rating plate are both agency certified.</li> </ul>



# FRIEDRICH

**Friedrich Air Conditioning Company  
10001 Reunion Place, Suite 500  
San Antonio, TX 78216**

**1-800-541-6645  
www.friedrich.com**

**ROOM AIR CONDITIONERS  
LIMITED WARRANTY  
FIRST YEAR**

ANY PART: If any part supplied by FRIEDRICH fails because of a defect in workmanship or material within twelve months from date of original purchase, FRIEDRICH will repair the product at no charge, provided room air conditioner is reasonably accessible for service. Any additional labor cost for removing inaccessible units and/or charges for mileage related to travel by a Service Agency that exceeds 25 miles one way will be the responsibility of the owner. This remedy is expressly agreed to be the exclusive remedy within twelve months from the date of the original purchase.

## **SECOND THROUGH FIFTH YEAR**

**SEALED REFRIGERANT SYSTEM:** If the Sealed Refrigeration System (defined for this purpose as the compressor, condenser coil, evaporator coil, reversing valve, check valve, capillary, filter drier, and all interconnecting tubing) supplied by FRIEDRICH in your Room Air Conditioner fails because of a defect in workmanship or material within sixty months from date of purchase, FRIEDRICH will pay a labor allowance and parts necessary to repair the Sealed Refrigeration System; PROVIDED FRIEDRICH will not pay the cost of diagnosis of the problem, removal, freight charges, and transportation of the air conditioner to and from the Service Agency, and the reinstallation charges associated with repair of the Sealed Refrigeration System. All such cost will be the sole responsibility of the owner. This remedy is expressly agreed to be the exclusive remedy within sixty months from the date of the original purchase.

**APPLICABILITY AND LIMITATIONS:** This warranty is applicable only to units retained within the Fifty States of the U.S.A., District of Columbia, and Canada. This warranty is not applicable to:

1. Air filters or fuses.
2. Products on which the model and serial numbers have been removed.
3. Products which have defects or damage which results from improper installation, wiring, electrical current characteristics, or maintenance; or caused by accident, misuse or abuse, fire, flood, alterations and/or misapplication of the product and/or units installed in a corrosive atmosphere, default or delay in performance caused by war, government restrictions or restraints, strikes, material shortages beyond the control of FRIEDRICH, or acts of God.

**OBTAINING WARRANTY PERFORMANCE:** Service will be provided by the FRIEDRICH Authorized Dealer or Service Organization in your area. They are listed in the Yellow Pages. If assistance is required in obtaining warranty performance, write to: Room Air Conditioner Service Manager, Friedrich Air Conditioning Co.

**LIMITATIONS:** THIS WARRANTY IS GIVEN IN LIEU OF ALL OTHER WARRANTIES. Anything in the warranty notwithstanding, ANY IMPLIED WARRANTIES OF FITNESS FOR PARTICULAR PURPOSE AND/OR MERCHANTABILITY SHALL BE LIMITED TO THE DURATION OF THIS EXPRESS WARRANTY. MANUFACTURER EXPRESSLY DISCLAIMS AND EXCLUDES ANY LIABILITY FOR CONSEQUENTIAL OR INCIDENTAL DAMAGE FOR BREACH OF ANY EXPRESSED OR IMPLIED WARRANTY.

**NOTE:** Some states do not allow limitations on how long an implied warranty lasts, or do not allow the limitation or exclusion of consequential or incidental damages, so the foregoing exclusions and limitations may not apply to you.

**OTHER:** This warranty gives you specific legal rights, and you may also have other rights which vary from state to state.

**PROOF OF PURCHASE:** Owner must provide proof of purchase in order to receive any warranty related services.

All service calls for explaining the operation of this product will be the sole responsibility of the consumer.

All warranty service must be provided by an Authorized FRIEDRICH Service Agency, unless authorized by FRIEDRICH prior to repairs being made.



# Kühl® Standard Chassis

## Performance Testing Installation and Test Method

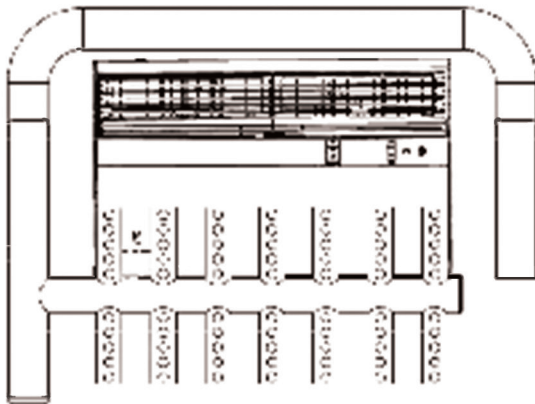
The following instructions only apply to laboratory test procedures and do not apply to actual product installation and operation.

ANSI/ASHRAE Standard 16-1983 (RA 2009) Method of Testing for Rating Room Air Conditioners and Packaged Terminal Air Conditioners shall be adhered to when testing for obtaining cooling capacity and airflow quality for rating this room air conditioning unit.

Maximum cooling capacity must be achieved in accordance with the following instructions:

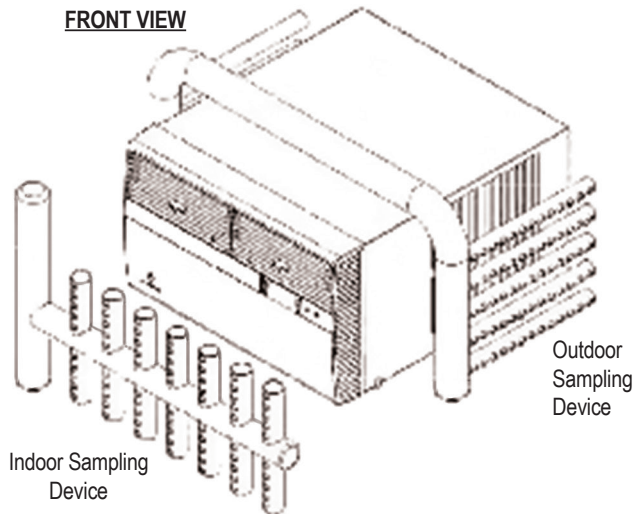
For maximum capacity and efficiency, air shall be sampled 4 to 6 inches away from the intake of the unit. See images below:

### FRONT VIEW



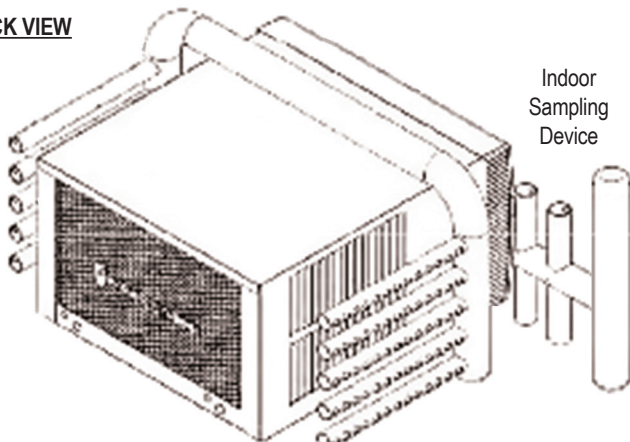
Indoor Sampling Device

### FRONT VIEW



Outdoor Sampling Device

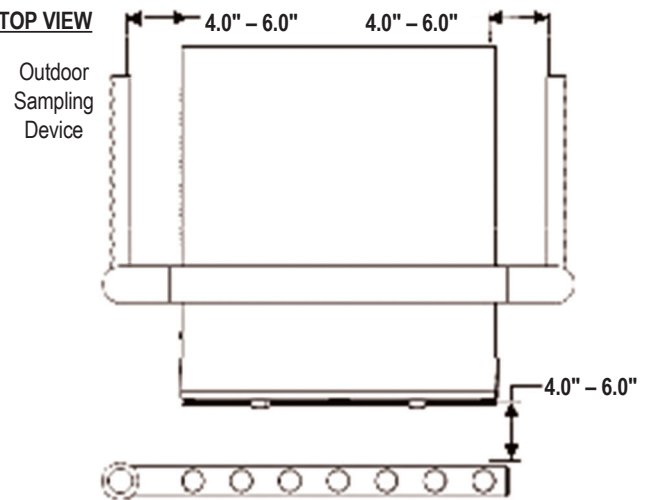
### BACK VIEW



Indoor Sampling Device

Outdoor Sampling Device

### TOP VIEW



Indoor Sampling Device

The indoor and outdoor air sampling devices must comply with:  
ASHRAE 41.1-1986 (RA 2006) - Method for Temperature Measurement  
ASHRAE 41.6-1994 (RA 2006) - Method for Measurement of Moist Air Properties

**NOTE:** Images of the sampler are for display purposes and not to scale



# Kühl® Standard Chassis

## Performance Testing Installation and Test Method *continued*

### Test Unit Installation

As per ANSI/ASHRAE Standard 16-1983 (RA 2009), section 4.2.2, this air conditioner shall be installed per the instructions specified in this Installation & Operation Manual.

### Test Unit Settings

#### **Louver position:**

- Louvers shall be kept in the recessed position (not extended)
- Louvers shall be centered (not directed left or right) and pointed upward

#### **Fan speed:**

- Fan shall be set to the highest speed setting
  - HIGH

#### **System Operation:**

- Unit shall be operating in "Cool" Mode

---

**THIS PAGE LEFT INTENTIONALLY BLANK.**



Friedrich Air Conditioning Co.  
10001 Reunion Place, Suite 500 • San Antonio, Texas 78216  
1-800-541-6645  
[www.friedrich.com](http://www.friedrich.com)

Printed in Mexico

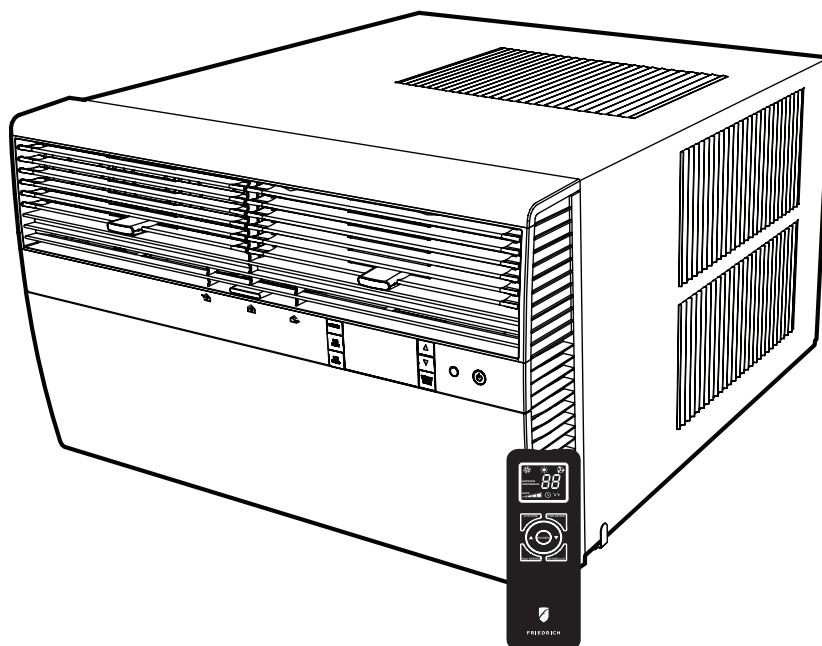
93001015\_00





**FRIEDRICH**

## Climatiseurs Individuels



### Modèles pour fenêtres à guillotine

---

#### Kühl

115-Volt: KCS08, KCS10, KCS12, KCS14  
230-Volt: KCS12, KCS16, KCM18, KCM21, KCM24  
KCL22, KCL24, KCL28, KCL36

---

#### Kühl +

*Chauffage électrique*

115-Volt: KHS10  
230-Volt: KES12, KES16, KH12, KEM18  
KHM18, KHM24, KEL36, KHL24

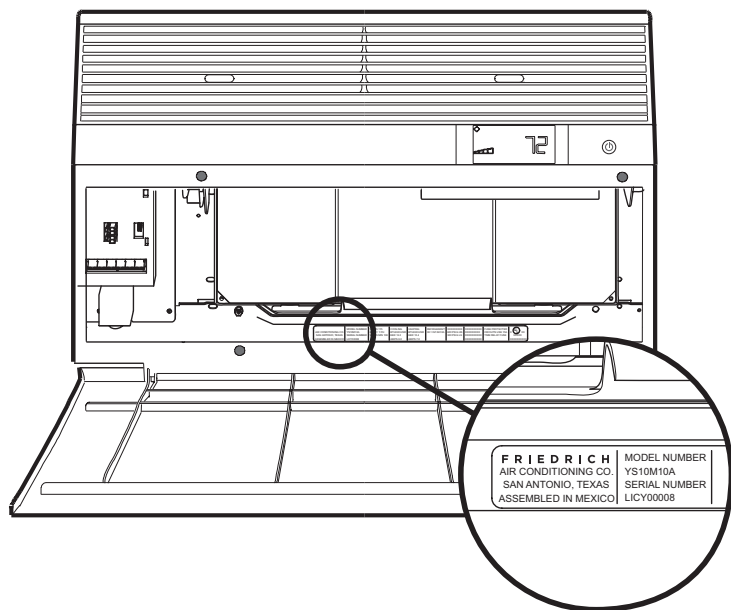
---

#### Kühl +

*Thermopompe*

Votre nouveau climatiseur haute-efficacité a été conçu et fabriqué avec soin afin de vous fournir une température et un niveau d'humidité confortables, avec constance et efficacité pendant de nombreuses années. Les nouvelles caractéristiques de cet appareil assurent un fonctionnement silencieux et optimisent la circulation d'air frais et sec tout en économisant au maximum les ressources énergétiques

## Tout le personnel VOUS REMERCIE pour votre confiance dans la qualité des appareils Friedrich.



### Enregistrez votre climatiseur

Vous trouverez les renseignements concernant le modèle sur la plaque signalétique située derrière le panneau de façade de l'appareil.

Veillez remplir le certificat d'enregistrement fourni avec ce produit et l'expédier par la poste ou vous enregistrer en ligne sur le site [www.friedrich.com](http://www.friedrich.com) (pour les États-Unis uniquement). Pour votre usage personnel, vous pouvez recopier ces renseignements ci-dessous.

NUMÉRO DE MODÈLE

NUMÉRO DE SÉRIE

DATE D'ACHAT

---

# Table des matières

Pour votre sécurité .....	4
Déballage de l'appareil .....	5
AVERTISSEMENT: Avant de mettre l'appareil en marche .....	6
Nettoyage / installation du filtre standard .....	7
Installation du filtre au charbon .....	8
Le panneau de commandes de l'appareil .....	9
Nouvelles options de contrôle Kühl .....	22
Instructions de configuration Wi-Fi .....	23
Instructions de fonctionnement du panneau de commande .....	24
Utilisation de la télécommande .....	25
Efficacité de la télécommande .....	25
Sélection et réglage du flux d'air .....	26
Instructions d'installation .....	27
Détails du matériel et des accessoires d'installation .....	28
Installation de fenêtre standard .....	29
Changement d'orientation du cordon .....	38
Installation à travers le mur .....	40
Liste de vérification finale et start-up .....	44
Entretien périodique .....	45
Dépannage et assistance .....	45
Accessoires disponibles .....	45
Diagnostic de dépannage .....	46
Garantie .....	48
Addenda de méthode d'installation et de test de performance .....	49

# Pour votre sécurité

**La sécurité est primordiale, pour vous comme pour votre entourage.**

Nous avons fourni de nombreux messages de sécurité importants dans ce manuel et sur votre appareil. Toujours lire et obéir à tous les messages de sécurité.

Ceci est un symbole d'alerte.  
Il attire votre attention sur un risque potentiel de blessures ou un danger de mort.

Il est toujours suivi de « AVERTISSEMENT » ou « ATTENTION ». Voici la signification de ces mots:

**AVERTISSEMENT** Indique un danger qui, s'il n'est pas évité, peut provoquer des blessures graves ou fatales et endommager l'équipement et d'autres biens.

**ATTENTION** Indique un danger qui, s'il n'est pas évité, peut provoquer des blessures et endommager l'équipement et d'autres biens.

Tous les messages vous informent sur la nature du danger et la manière de l'éviter ainsi que sur les conséquences en cas de négligence.

**IMPORTANT** Indique un risque de dommages matériels en cas de non-respect des instructions.

**AVERTISSEMENT**

**Système de réfrigération sous pression**

Ne pas percer ni incinérer. Éloigner de toute flamme et de toute source de chaleur. Les réparations et l'entretien ne doivent être effectués que par un technicien qualifié en réfrigération.

Les pressions utilisées pour le R410A sont supérieures à celles du R22. À chaque intervention technique, prendre toutes les précautions recommandées. Utiliser exclusivement des collecteurs conçus pour du R410A et non pour du R22.

<b>THINK SAFETY FIRST</b>	<b>WARNING</b>	<b>AVERTISSEMENT</b>	<b>ADVERTENCIA</b>
	Do not remove, disable or bypass this unit's safety devices. Doing so may cause fire, injuries, or death.	Ne pas supprimer, désactiver ou contourner cette unité des dispositifs de sécurité, faire vous risqueriez de provoquer le feu, les blessures ou la mort.	No eliminar, desactivar o pasar por alto los dispositivos de seguridad de la unidad. Si lo hace podría producirse fuego, lesiones o muerte.

# Déballage de l'appareil

ÉTAPE 1. Coupez les courroies d'emballage.

ÉTAPE 2. Retirez les armatures d'expédition en bois.

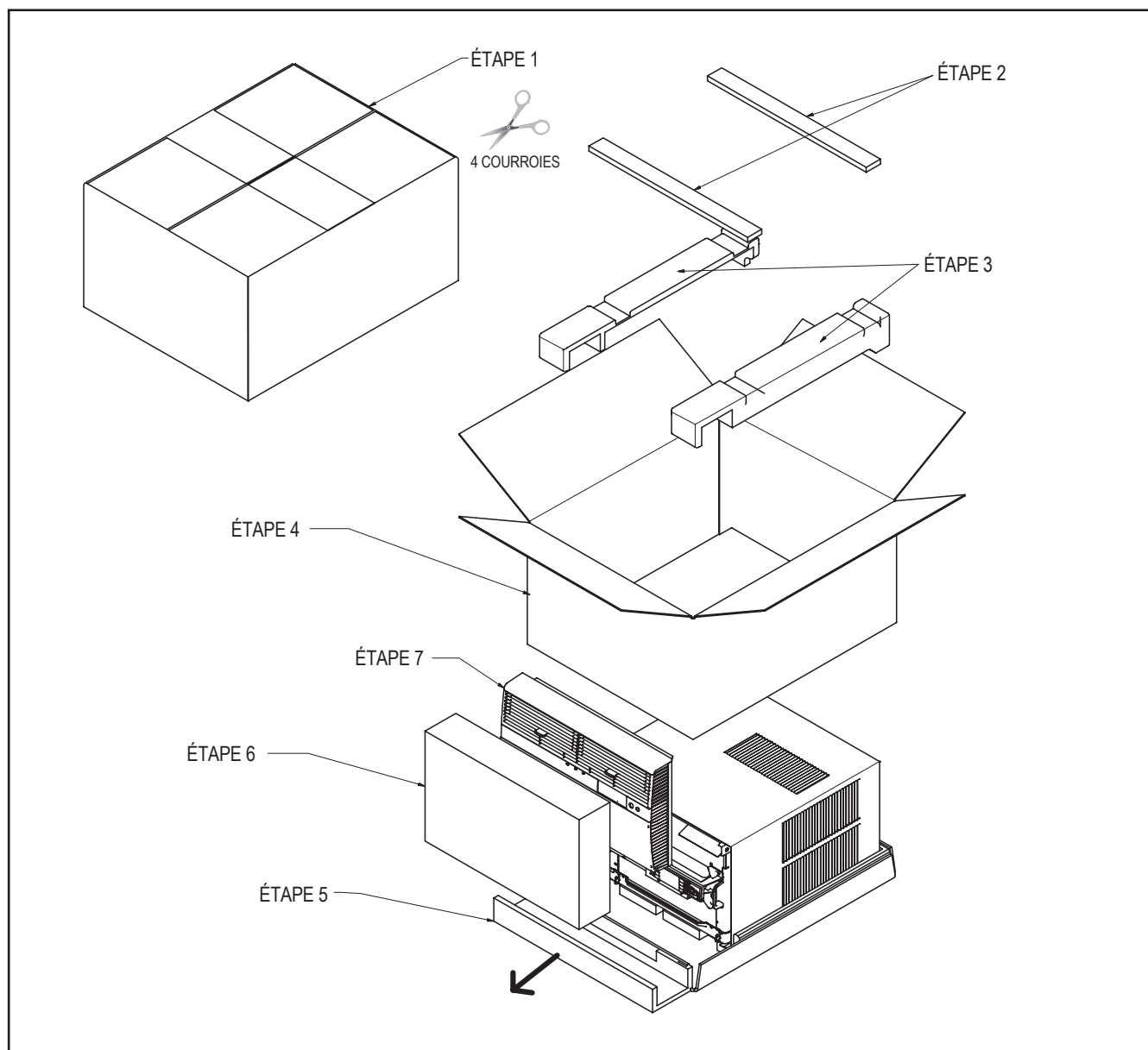
ÉTAPE 3. Retirez les coins supérieurs en mousse.

ÉTAPE 4. Enlevez délicatement le carton extérieur en prenant soin de ne pas faire tomber le panneau avant de l'appareil.

ÉTAPE 5. Faites glisser le support en mousse vers l'avant.


ÉTAPE 6. Soulevez délicatement l'emballage du panneau de façade de son support en mousse.

ÉTAPE 7. Déballez le panneau de façade et mettez-le de côté.



# AVERTISSEMENT : Avant de mettre l'appareil en marche

**⚠ AVERTISSEMENT**



**Risque d'électrocution**

Assurez-vous que votre prise électrique murale soit du type correspondant à la prise du climatiseur. Si ce n'est pas le cas, faites appel à un électricien professionnel.

N'utilisez pas d'adaptateur de prise.  
N'utilisez pas de cordon de rallonge.  
N'enlevez pas la broche de mise à la terre.

Branchez uniquement sur une prise pour 3 broches, reliée à la terre. Coupez l'alimentation électrique avant une réparation ou une.

## Assurez-vous que votre circuit électrique convienne au climatiseur.

S'il y a des fusibles, ceux-ci doivent être du type à retardement. Avant d'installer ou de déplacer cet appareil, veillez à ce que les caractéristiques d'intensité du disjoncteur ou du fusible à retardement ne dépassent pas les valeurs indiquées au Tableau 1.

## N'utilisez JAMAIS un cordon de rallonge.

Le cordon électrique fourni est conçu pour supporter le courant d'alimentation du climatiseur, ce qui n'est peut-être pas le cas d'un cordon de rallonge.

## Assurez-vous que votre prise murale soit compatible avec la fiche fournie avec l'appareil.

La mise à la terre doit être adéquate et permanente. Une prise murale pour deux broches doit être remplacée par un modèle avec prise de terre par un électricien professionnel. La prise murale avec mise à la terre doit être conforme au Code canadien de l'électricité. Vous devez impérativement utiliser la fiche à trois broches livrée avec le climatiseur. Vous ne devez en aucun cas enlever la broche de mise à la terre.

## Testez le cordon d'alimentation.

Tous les climatiseurs individuels Friedrich sont livrés avec un cordon d'alimentation équipé d'un protecteur contre le courant de fuite. Ce dispositif situé à l'extrémité du cordon électrique répond aux normes L et NEC sur l'alimentation électrique des climatiseurs individuels.

Pour tester le cordon d'alimentation:

1. Branchez - le sur une prise murale 3 broches.
2. Appuyez sur RESET (voir Figure 1).
3. Appuyez sur TEST (vous entendrez un déclic). Le bouton RESET se déclenche et ressort.
4. Enfoncez et relâchez le bouton RESET (vous entendrez un déclic; le bouton RESET se verrouille en position enfoncée). Votre cordon d'alimentation est prêt à l'emploi.





**IMPORTANT**

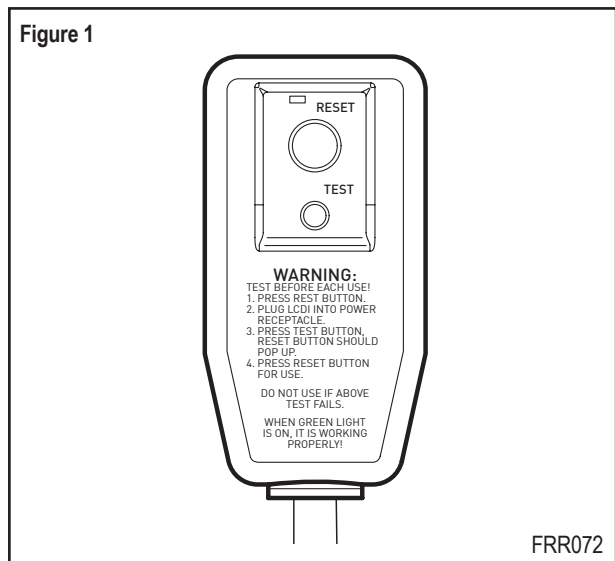
Ne vous servez pas du protecteur contre le courant de fuite en tant qu'interrupteur marche/arrêt.

Ne pas observer cette recommandation peut entraîner une défaillance prématurée de l'équipement.

Une fois branché, l'appareil fonctionnera normalement sans qu'il soit nécessaire de réinitialiser le protecteur. Si celui-ci ne se déclenche pas lors du test ou si le cordon d'alimentation est endommagé, il doit être remplacé par un modèle identique. Appelez notre service technique au (800) 541-6645. Pour accélérer le service, munissez-vous de votre numéro de modèle.

**Tableau 1**

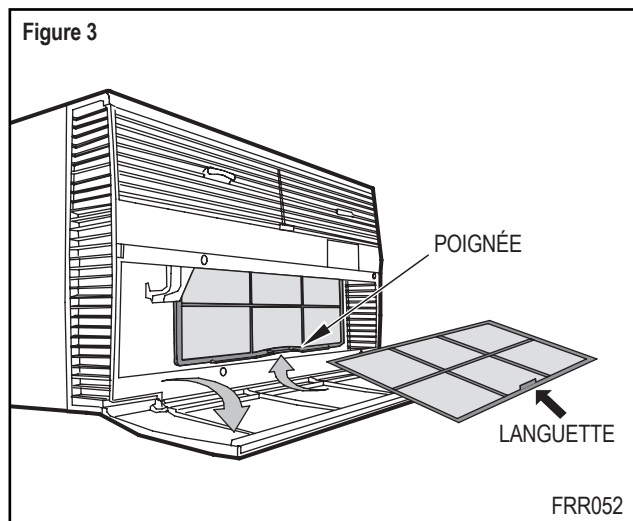
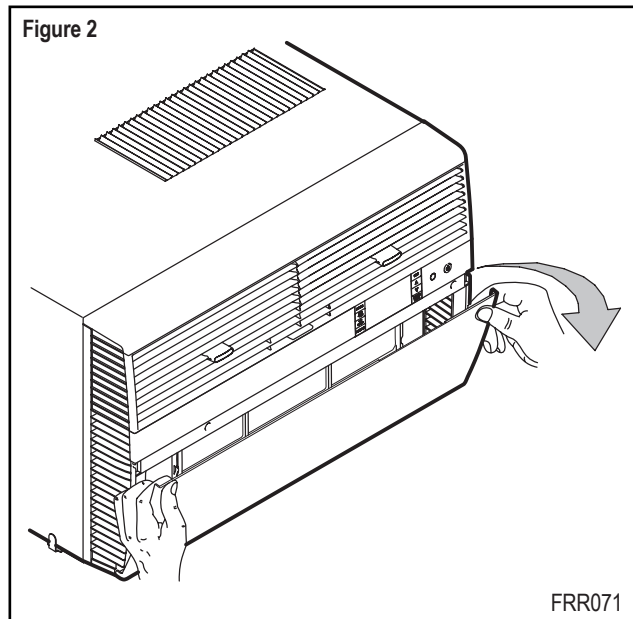
MODÈLE	FUSIBLE À RETARDEMENT/ TENSION CIRCUIT		PRISE MURALE REQUISE	
	AMPÈRES	VOLTS	N° NEMA	
KCS08, KCS10 KCS12, KCS14 KHS10	15	125	5-15R	
KCS12, KCS16 KCM18, KCM21 KCL22	15	250	6-15R	
KCM24, KCL28 KES12, KES16 KHS12, KCL24	20	250	6-20R	
KCL36, KEM18 KEM24, KEL36 KHM18, KHL24	30	250	6-30R	



FRR072

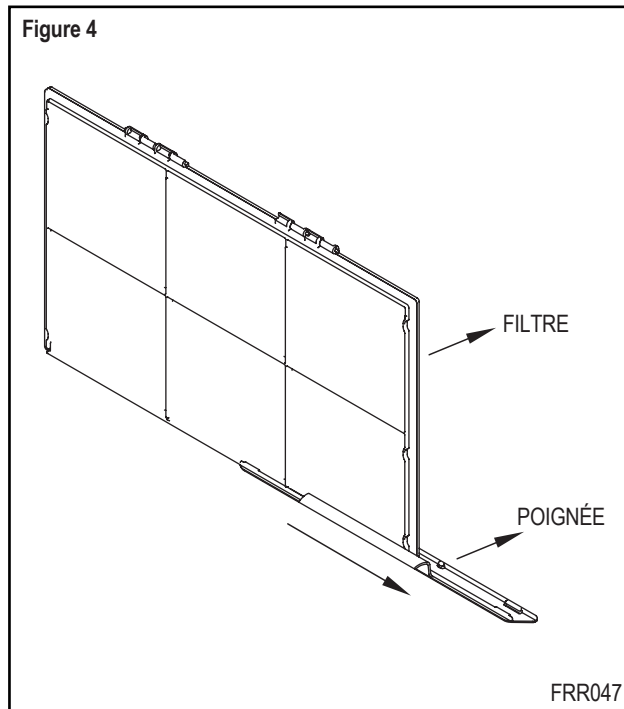
# Nettoyage / installation du filtre standard

ÉTAPE 1. Abaissez le panneau de façade, saisissez le porte-filtre par sa poignée et soulevez-le pour le tirer vers l'extérieur.

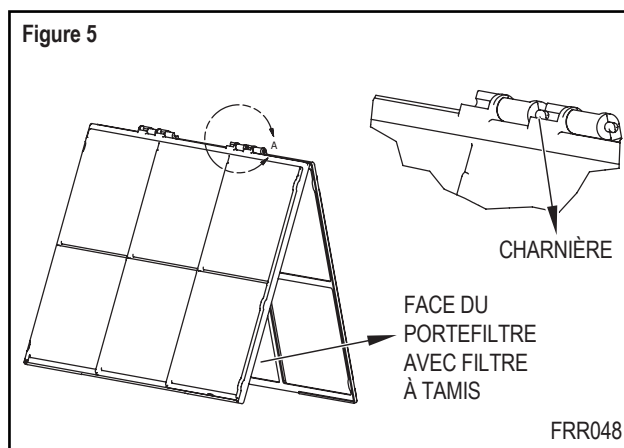


ÉTAPE 2. Enlevez la poignée en la faisant coulisser. Voir Figure 4.

NOTE: Tenez le porte-filtre avec le côté filtre vers vous.



ÉTAPE 3. Ouvrez le porte-filtre. Dépoussiérez le filtre. Si nécessaire, utilisez une solution de savon doux. Laissez sécher.



ÉTAPE 4. Installez à nouveau la poignée sur le porte-filtre en la faisant coulisser.

NOTE: La poignée du porte-filtre ne peut s'insérer que d'un seul côté. Si elle est bloquée par la languette du cadre, insérez-la par l'autre côté. Faites-la coulisser sans forcer.

ÉTAPE 5. Réinstallez le filtre dans l'appareil. Suivez les instructions qui se trouvent sur la face intérieure du panneau de façade de l'appareil.

# Installation du filtre au charbon

**ÉTAPE 1.** Retirez le filtre de l'appareil selon les instructions figurant à l'intérieur du panneau de façade.

**ÉTAPE 2.** En tenant le filtre par le haut, enlevez la poignée en la faisant coulisser (voir Figure 4).

**ÉTAPE 3.** Pour enlever le filtre au charbon usé, posez le porte-filtre à plat et ouvrez-le tel qu'indiqué à la Figure 6.

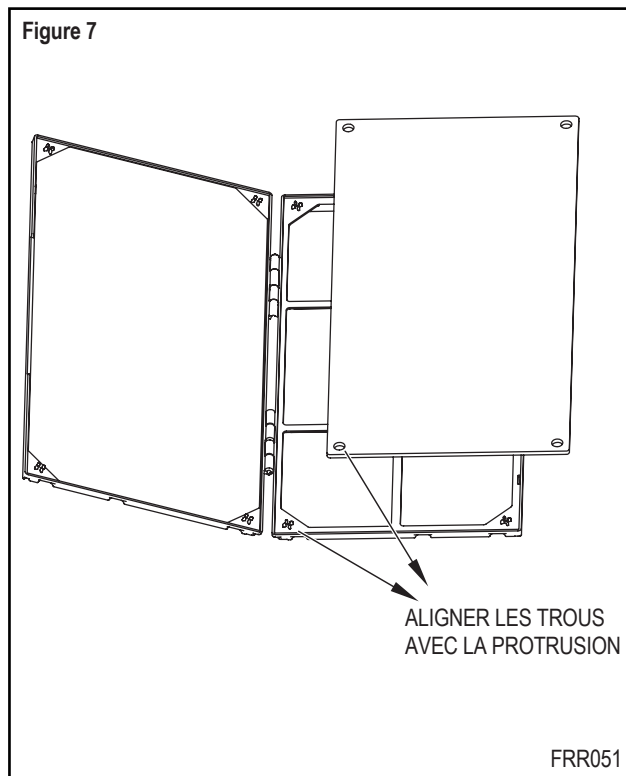
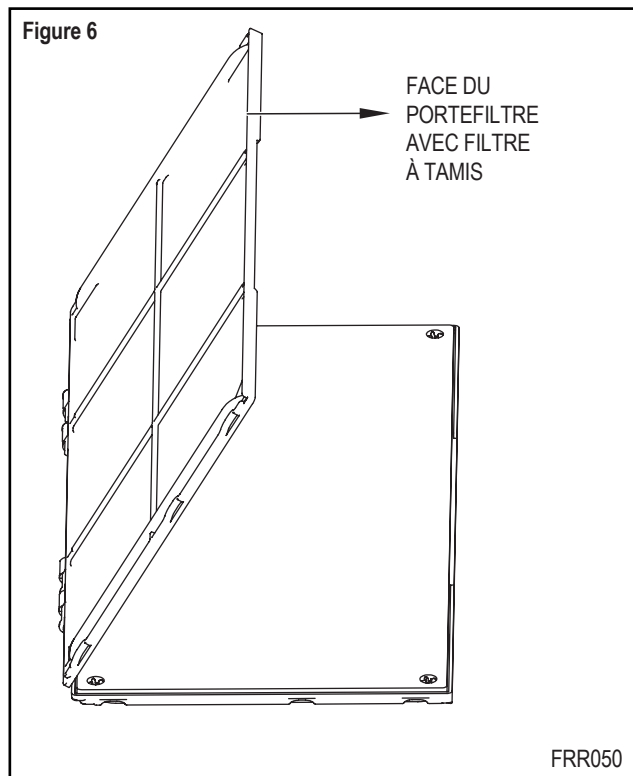
**NOTE:** Tenez le porte-filtre avec le côté filtre face à vous.

**ÉTAPE 4.** Posez le nouveau filtre au charbon sur le fond du porte-filtre. Le filtre au charbon a été coupé aux dimensions du porte-filtre comme le montre la Figure 7.

**NOTE:** Le filtre au charbon n'est pas réutilisable et doit être remplacé tous les trois mois pour être réellement efficace.

**ÉTAPE 5.** Remettez en place la poignée coulissante sur le porte-filtre pour le refermer et installez celui-ci dans l'appareil en suivant les instructions du panneau de façade.

**NOTE:** La poignée du porte-filtre ne peut s'insérer que d'un seul côté. Si elle est bloquée par la languette du cadre, insérez-la par l'autre côté. Faites-la coulisser sans forcer.





# Fonctionnement du panneau de commande

L'ensemble des icônes de mode et des boutons de fonction du panneau de commande peut être visualisé dans la Figure 8.

**Marche/arrêt:** appuyez sur ce bouton pour allumer le climatiseur. Le bouton marche/arrêt s'allume pour indiquer que l'appareil est sous tension. Le rétroéclairage du bouton s'arrête automatiquement après 20 secondes d'inactivité. La télécommande peut également être utilisée pour allumer et éteindre l'appareil (voir Télécommande).

**Écran:** l'écran est un écran LCD haute efficacité avec une fonction de rétroéclairage intégrée. L'écran s'éteint après 20 secondes d'inactivité. Touchez n'importe quel bouton pour activer la luminosité totale de l'écran.

Trois boutons-poussoirs de commande sont positionnés de chaque côté de l'écran.

Figure 8

SYSTÈME	MODE DU VENTILATEUR	VITESSE DU VENTILATEUR	TEMPÉRATURE	MINUTEUR	FENÊTRE IR	MARCHE/ ARRÊT
Options possibles: AUTO, CHAUFFAGE, CLIMATISATION et VENTILATEUR UNIQUEMENT (le cas échéant)	Peut être défini sur: - Cycle automatique - Exécution continue	Définit la vitesse du ventilateur sur: FAIBLE, MOYENNE, ÉLEVÉE ou AUTO (le cas échéant)	Incément vers le HAUT  Incément vers le BAS	Activé ou désactivé	Ne pas bloquer	Allume ou éteint l'appareil

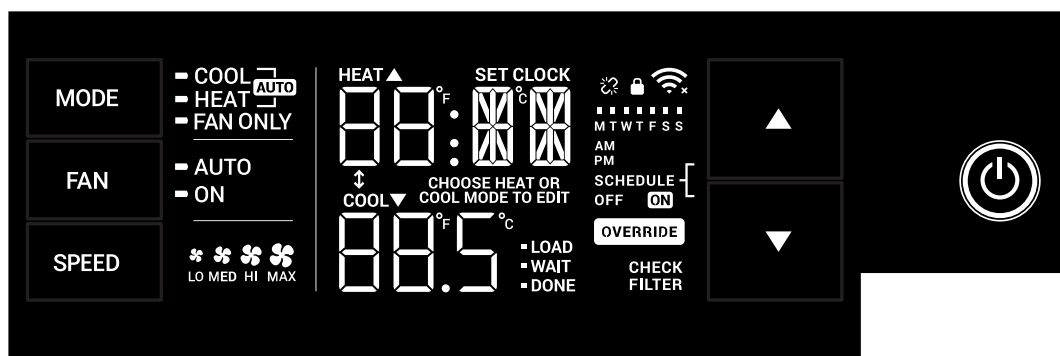
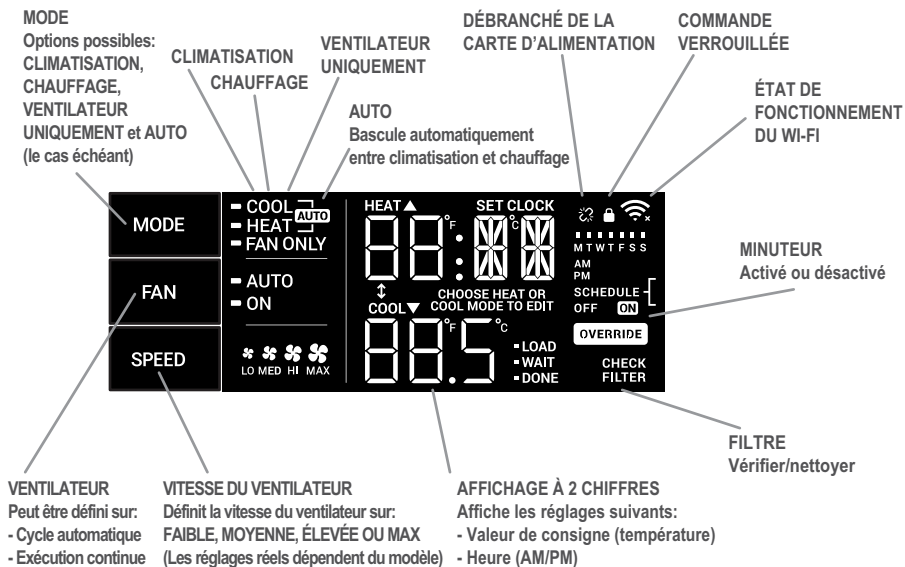


Figure 9



# Fonctionnement du panneau de commande

## Accès aux sous-menus

Le bouton MENU tout à gauche permet d'accéder aux sous-menus. Voir Figure 10.

Les flèches permettent de naviguer entre les 6 options du menu (voir Figure 11):

- LIM
- LOCK
- TM
- CnCT
- F-C
- diAG

Le bouton tout à droite permet de quitter le menu. Voir Figure 12.

Figure 10

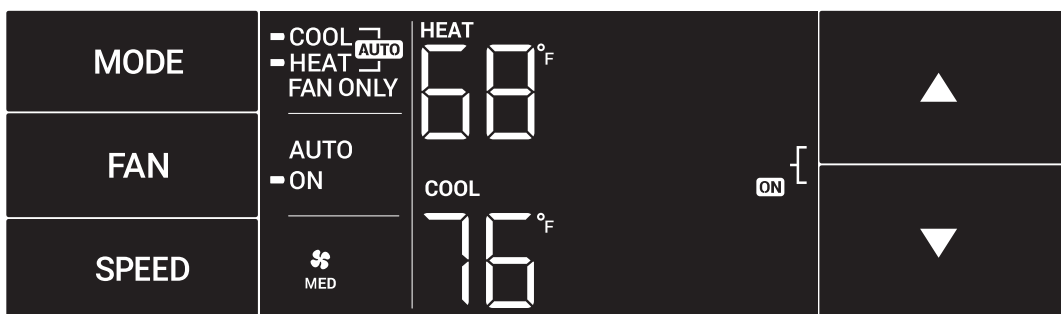


Figure 11

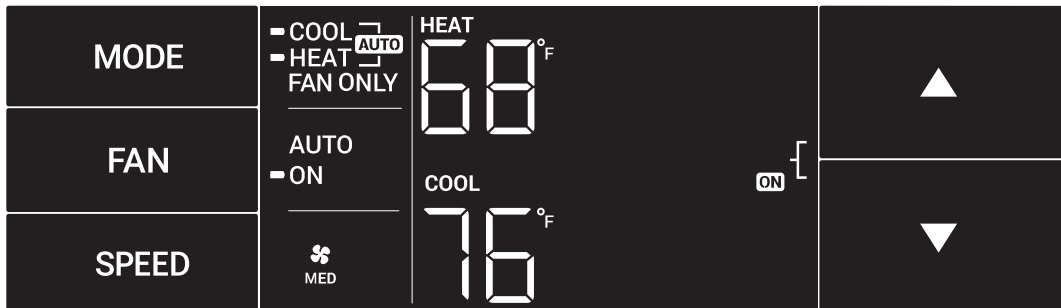
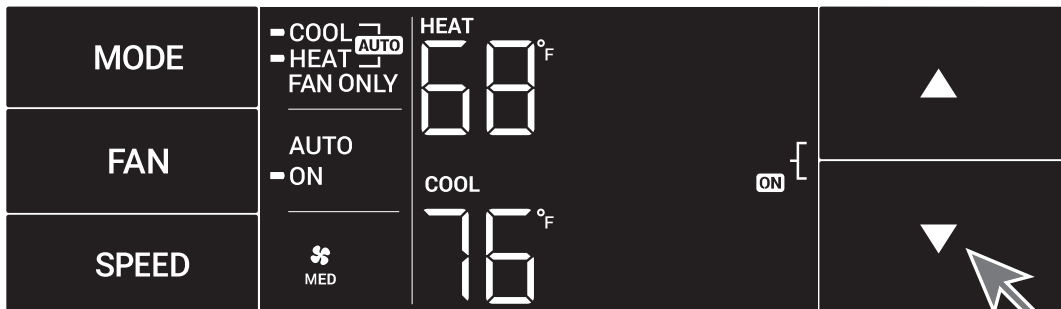


Figure 12



# Fonctionnement du panneau de commande

## Navigation dans les sous-menus

Le bouton MENU tout à gauche permet d'avancer dans le sous-menu.  
Voir Figure 13.

Le bouton tout à droite permet de revenir une fois en arrière dans les menus LIM et TM. Voir Figure 14.

Figure 13

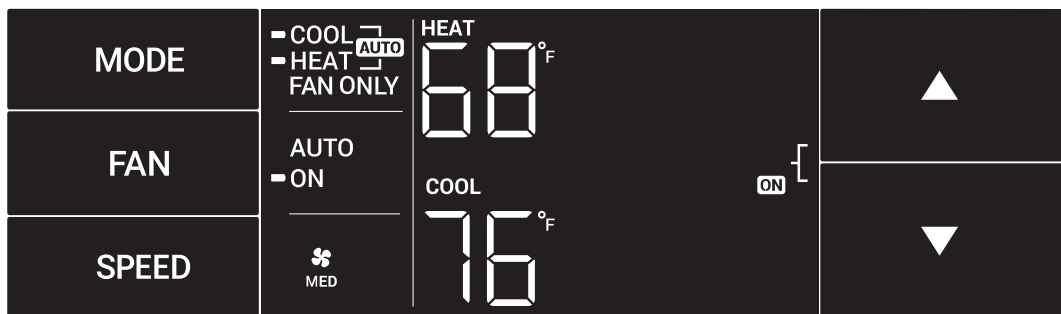
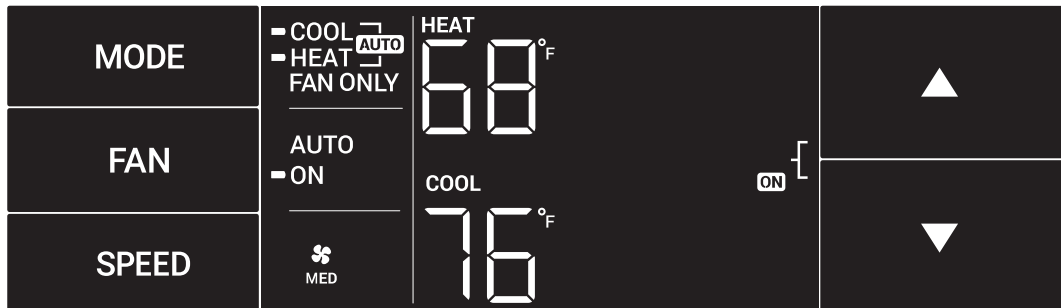


Figure 14



# Fonctionnement du panneau de commande

## Le menu LIM

Il s'agit du menu relatif aux limites. Voir Figure 15.

Lorsque vous entrez dans ce menu, vous pouvez tout d'abord définir la limite de valeur de consigne inférieure à l'aide des flèches. Voir Figure 16.

Vous pouvez ensuite définir la limite de valeur de consigne supérieure à l'aide des flèches. Voir Figure 17.

Appuyez sur le bouton tout à gauche pour terminer le réglage des limites. Voir Figure 18.

Figure 15



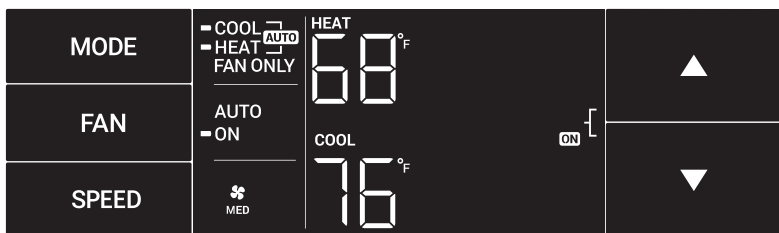
MENU

Figure 16



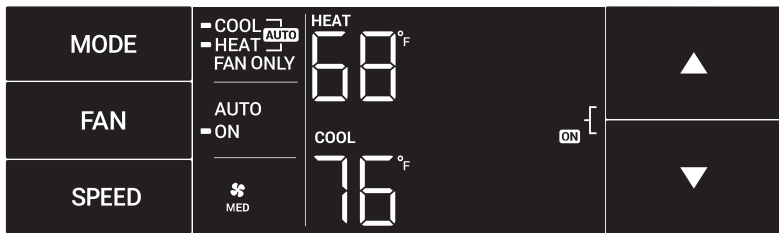
MENU

Figure 17



MENU

Figure 18



MENU



# Fonctionnement du panneau de commande

## Le menu TM

Il s'agit du menu utilisé pour régler le minuteur. Voir Figure 19.

Dans le menu, vous pouvez définir l'heure actuelle à l'aide des flèches. Voir Figure 20. (Remarque: ces deux étapes de réglage de l'heure seront ignorées si l'appareil est déjà connecté au Wi-Fi.)

Réglez d'abord l'heure.

À l'aide du bouton tout à gauche, passez aux minutes et terminez le réglage de l'heure. Voir Figure 21.

Sélectionnez votre mode: climatisation, chauffage ou auto. Utilisez les flèches pour naviguer entre ces options. Voir Figure 22. (Remarque: les modèles réalisant uniquement le refroidissement ignorent cette étape.)

Le processus est identique pour les trois modes. Le mode auto est illustré dans l'exemple.

Figure 19



MENU

Figure 20



MENU

Figure 21



MENU

Figure 22



MENU

# Fonctionnement du panneau de commande

## Le menu TM (suite)

Mode auto sélectionné. Voir Figure 23.

À l'aide des flèches, définissez la valeur de consigne de la climatisation pour la première période du minuteur. Le minuteur du mode de climatisation définit uniquement la valeur de consigne pour la climatisation. Voir Figure 24.

Définissez ensuite la valeur de consigne du chauffage pour la première période du minuteur. Le minuteur du mode de chauffage définit uniquement la valeur de consigne pour le chauffage. Voir Figure 25.

Remarque: le minuteur en mode auto définit à la fois les valeurs de consigne du chauffage et de la climatisation.

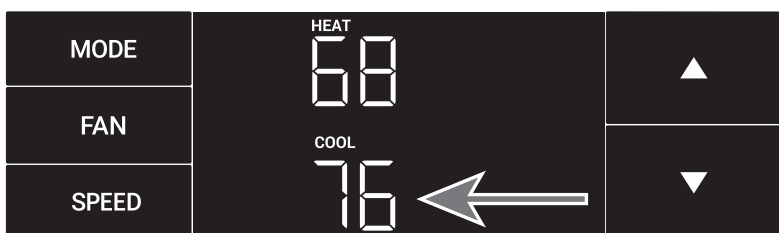
Définissez l'heure de début de la première période du minuteur. Voir Figure 26.

Figure 23



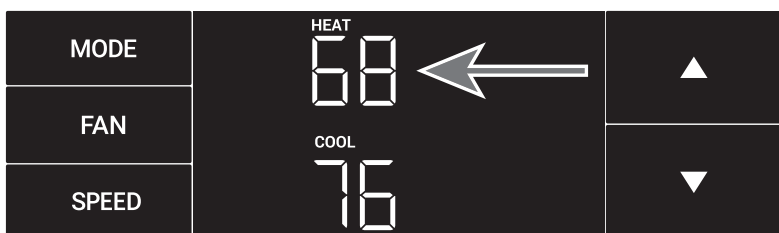
MENU ● ●

Figure 24



MENU ● ●

Figure 25



MENU ● ●

Figure 26



MENU ● ●

# Fonctionnement du panneau de commande

## Le menu TM (suite)

Définissez la valeur de consigne de la climatisation pour le deuxième minuteur programmé. Voir Figure 27.

Définissez l'heure de début du deuxième minuteur. Voir Figure 28.

Définissez la valeur de consigne du chauffage pour le deuxième minuteur.

Appuyez sur le bouton tout à gauche pour terminer le réglage du minuteur. Voir Figure 29.

Figure 27

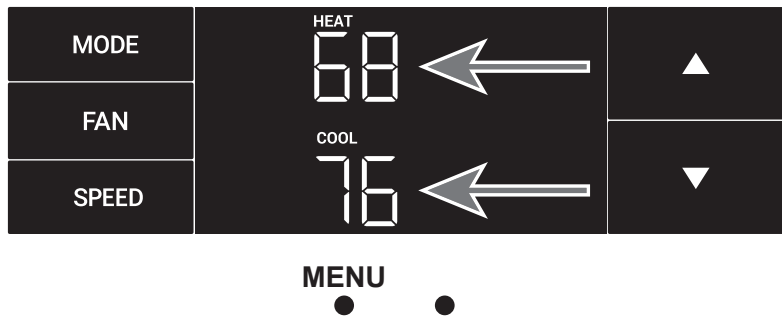


Figure 28

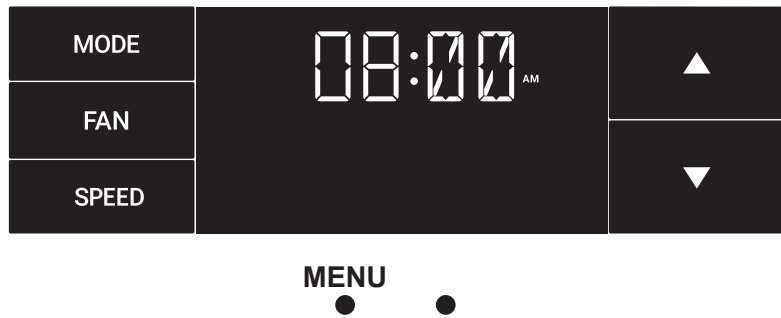
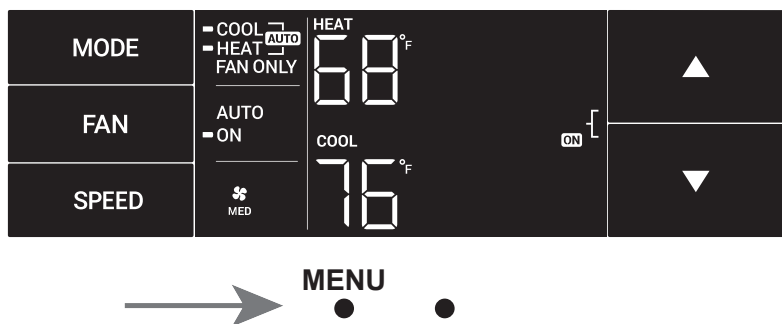


Figure 29



# Fonctionnement du panneau de commande

## Le menu F-C

Ce menu est utilisé pour naviguer entre les unités Fahrenheit et Celsius.

Il s'agit du menu Fahrenheit/Celsius. Voir Figure 30.

Utilisez les flèches côté droit pour passer de Fahrenheit à Celsius.  
Voir Figures 31 et 32.

Figure 30



MENU ● ●

Figure 31



MENU ● ●

Figure 32



MENU ● ●



# Fonctionnement du panneau de commande

## Le menu Lock

Ce menu est utilisé pour verrouiller le réglage à l'aide d'un code d'accès.

Il s'agit du menu de verrouillage. Voir Figure 33.

Par défaut, le verrouillage est désactivé. Utilisez les flèches pour activer et désactiver le verrouillage. Voir Figure 34.

Le verrouillage est activé. Voir Figure 35.

Entrez le premier chiffre du code d'accès à l'aide des flèches. Utilisez le bouton tout à gauche pour passer au chiffre suivant. Voir Figure 36.

Figure 33



Figure 34



Figure 35



Figure 36



# Fonctionnement du panneau de commande

## Le menu Lock (suite)

Entrez le deuxième chiffre du code d'accès de la même manière.  
Voir Figure 37.

Entrez le troisième chiffre du code d'accès de la même manière.  
Voir Figure 38.

Entrez le quatrième chiffre du code d'accès de la même manière.  
Voir Figure 39.

Appuyez sur le bouton tout à gauche pour terminer l'étape du code d'accès.  
Voir Figure 40.

Figure 37



Figure 38

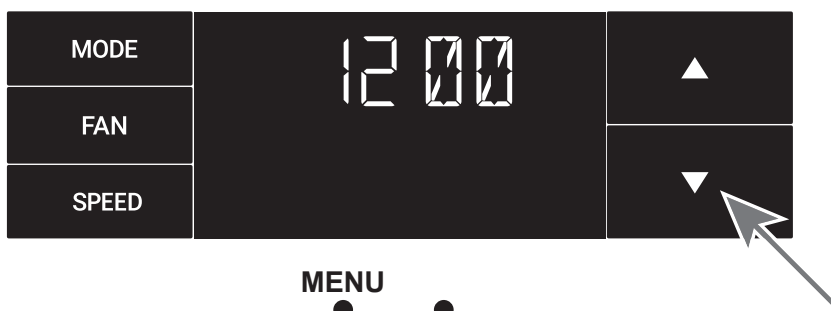


Figure 39

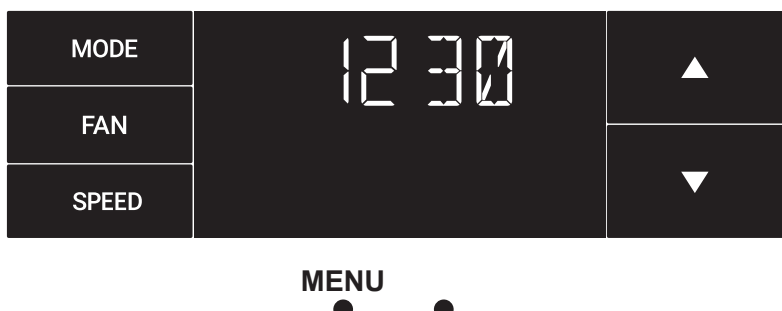
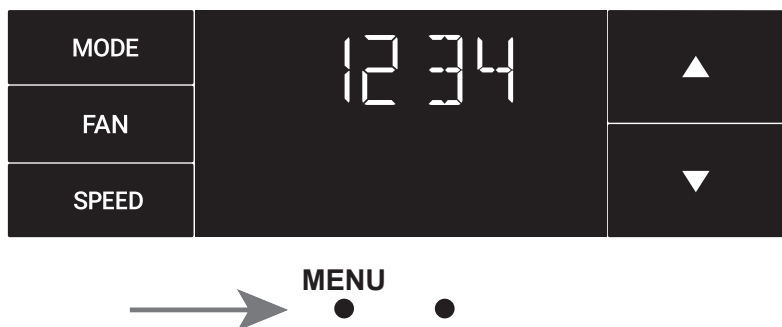


Figure 40



# Fonctionnement du panneau de commande

## Le menu Lock (suite)

Le symbole « ON » (Activé) sur le côté droit de l'affichage indique que la fonction de verrouillage est activée. Pour revenir dans le menu, sélectionnez à nouveau le bouton tout à gauche. Voir Figure 41.

La saisie du bon code d'accès permet à l'utilisateur d'accéder à tous les sous-menus. Voir Figure 43.

Entrez le code d'accès en suivant la manière dont il a été créé. Voir Figure 42.

En accédant au menu de verrouillage, vous pouvez désactiver le verrouillage si besoin. Voir Figure 44.

Figure 41

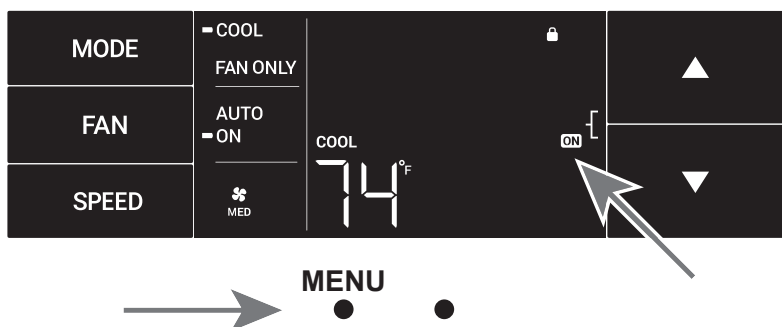


Figure 42

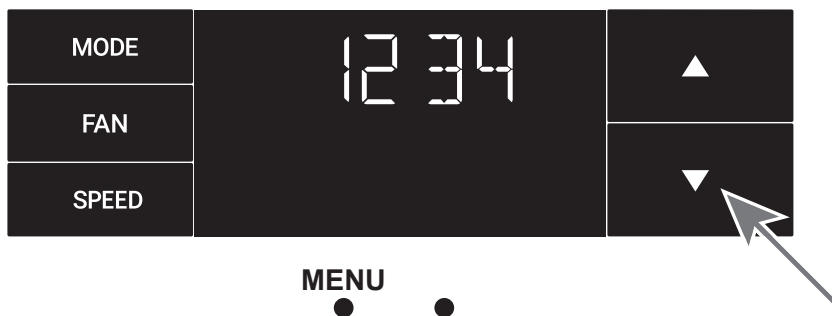
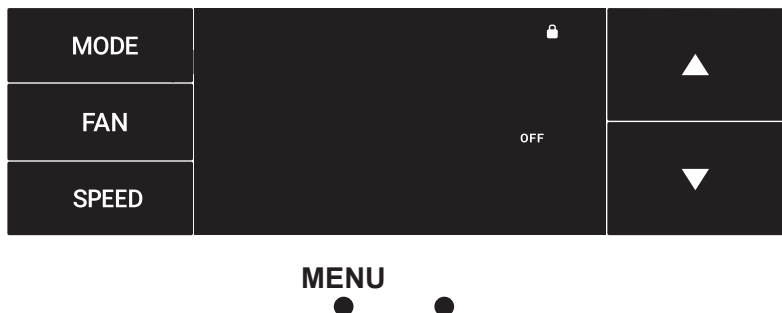


Figure 43



Figure 44



# Fonctionnement du panneau de commande

## Le menu CnCT

Ce menu est utilisé pour activer la connexion Wi-Fi.

Il s'agit du menu CnCT. Appuyez sur le bouton tout à gauche pour activer le Wi-Fi. Voir Figure 45.

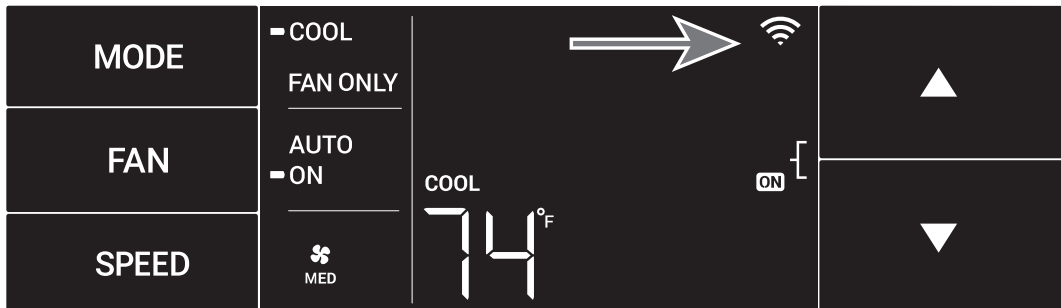
Le symbole du Wi-Fi s'affiche dans l'angle supérieur droit pour indiquer que la connexion Wi-Fi est activée. Voir Figure 46.

Figure 45



MENU

Figure 46



MENU

# Fonctionnement du panneau de commande

## Le menu diAG

Ce menu est utilisé pour accéder aux codes de diagnostic. Voir Figure 47.

Sélectionnez ce sous-menu pour afficher le E représentant « Erreur ». Voir Figure 48.

Naviguez entre les codes d'erreur à l'aide des flèches. Voir Figure 49.

Figure 47



Figure 48



Figure 49



# Options de commande du nouveau modèle Kühl

Le nouveau modèle Kühl vous propose différentes options de commande, de programmation et de planification, notamment des fonctionnalités sans fil.

## Commande et programmation sans fil:

Friedrich Connect vous permet de commander, programmer et surveiller de façon pratique votre appareil de climatisation à distance à partir d'un téléphone intelligent ou d'un ordinateur.

## Options de minuteur pré-programmées:

La commande numérique de votre appareil est équipée d'un minuteur 24 heures.

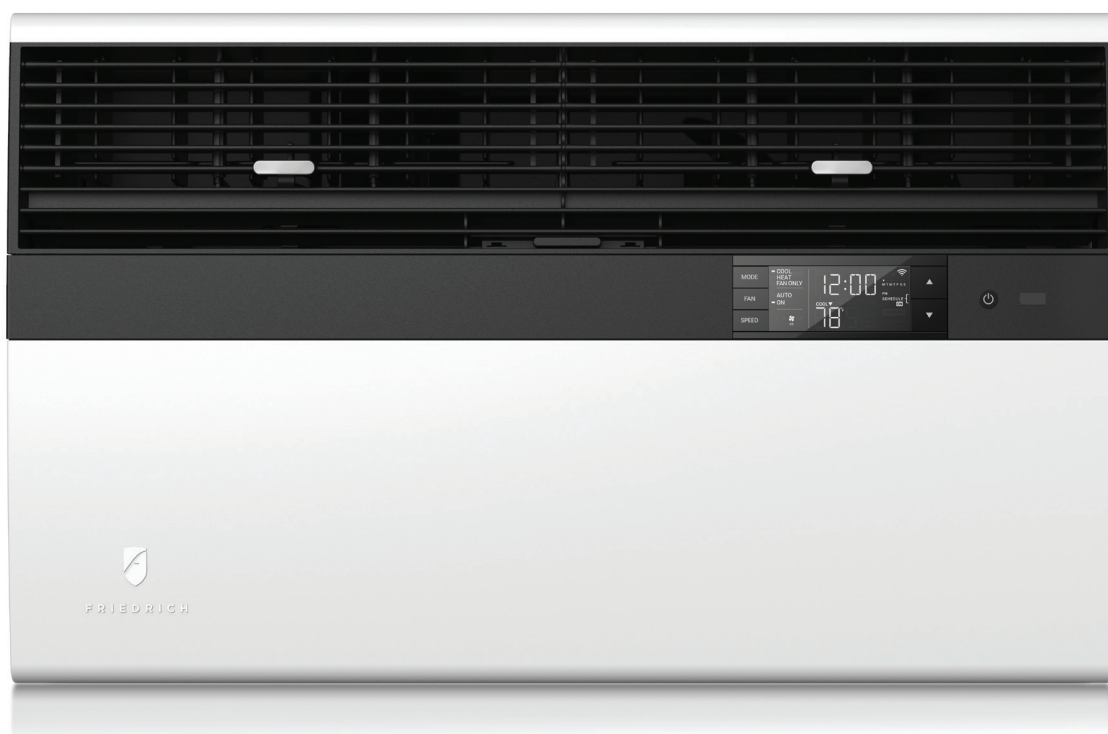
### Minuteur 24 heures

Le minuteur 24 heures vous permet de définir deux changements de température à des heures prédéfinies ou un panneau de commande de l'appareil.

## Options de programmation personnalisables:

Vous pouvez définir des minuteurs personnalisables, avec jusqu'à quatre réglages de température par jour, sur un ou plusieurs appareils à l'aide de Friedrich Connect.

**Consultez [www.friedrich.com](http://www.friedrich.com) pour obtenir plus de détails sur Friedrich Connect.**



# Instructions de réglage du Wi-Fi

## Accès aux sous-menus:

Voici les instructions de réglage du Wi-Fi pour utiliser votre appareil sans fil.

Suivez les instructions ci-dessous:

**ÉTAPE 1** À l'aide d'un dispositif mobile tel qu'un téléphone intelligent ou un ordinateur portable, accédez à la page [www.FriedrichConnect.com](http://www.FriedrichConnect.com).

**ÉTAPE 2** Connectez-vous avec votre nom d'utilisateur et votre mot de passe.

**ÉTAPE 3** Cliquez sur le bouton « Ajouter un appareil ».

**ÉTAPE 4** Sélectionnez le fuseau horaire de l'appareil et cliquez sur le bouton « Suivant ».

**ÉTAPE 5** Pour démarrer le processus de configuration, cliquez sur le bouton de menu sur l'écran d'accueil de votre modèle Kühl.

**ÉTAPE 6** À l'aide des flèches haut et bas, naviguez jusqu'à l'écran CnCT (Figure 50).

**ÉTAPE 7** Cliquez sur le bouton de menu pour lancer le processus de configuration de votre appareil compatible Friedrich Connect.

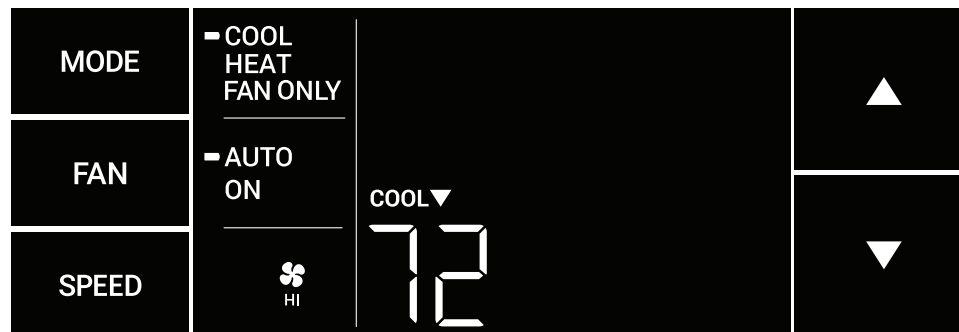
**ÉTAPE 8** Cliquez sur le bouton « Suivant » de votre dispositif mobile.

**ÉTAPE 9** Suivez les étapes à l'écran pour terminer l'ajout du dispositif à votre compte.

Figure 50



Figure 51



# Instructions relatives au fonctionnement du panneau de commande

**SYSTÈME:** le bouton **MODE** vous permet de choisir de manière séquentielle parmi quatre modes de fonctionnement maximum:

**AUTO** Disponible sur les modèles sélectionnés

**CLIMATISATION**

**CHAUFFAGE** Disponible sur les modèles sélectionnés

**VENTILATEUR UNIQUEMENT**

## VENTILATEUR AUTO (pas de demande de refroidissement)

En mode **AUTO**, le ventilateur fonctionne uniquement lorsque le système reçoit une demande de climatisation ou de chauffage de la pièce.

En mode de ventilateur **ACTIVÉ**, celui-ci fonctionne de manière continue. Le système refroidit ou chauffe l'air du ventilateur de manière périodique, mais le flux d'air ne s'arrête pas.

**Flèches HAUT et BAS:** utilisez les boutons de changement **HAUT** et **BAS** pour modifier la valeur de consigne du système (température ambiante souhaitée). Ces boutons sont également utilisés pour effectuer les changements des paramètres du système ultérieurement dans ce manuel.

Une pression équivaut à 1 degré de changement en mode Fahrenheit.  
Une pression équivaut à 0,5 degré de changement en mode Celsius.

## MINUTEUR

Le minuteur peut être activé ou désactivé à partir du panneau de commande. Vous devez maintenir les flèches **HAUT** et **BAS** enfoncées en même temps pendant trois secondes.

## AUTRES FONCTIONS

Sélection °F–°C

Pour passer des degrés Fahrenheit (F) aux degrés Celsius (C), appuyez sur le bouton **MENU** et entrez dans le sous-menu **F–C**.

**VITESSE DU VENTILATEUR:** en fonction de votre modèle, le bouton **VITESSE DU VENTILATEUR** vous permet de choisir parmi trois ou quatre modes de fonctionnement: FAIBLE, MOYENNE, ÉLEVÉE et MAX.

## Alertes

Lorsque le filtre a besoin d'être nettoyé ou remplacé, l'icône **VÉRIFIER FILTRE** s'affiche.

Cette alerte peut être effacée en appuyant sur **MODE DU VENTILATEUR** et **HEURE** pendant 3 secondes.

## Verrouillage du panneau de commande

Pour verrouiller/déverrouiller les commandes du panneau avant, accédez au sous-menu **VERROUILLAGE** après avoir cliqué sur le bouton **MENU**. Le verrouillage nécessite un code d'accès à quatre chiffres pour verrouiller/déverrouiller l'appareil. Ce code d'accès sera requis pour entrer dans le menu permettant de déverrouiller l'appareil. L'icône **VERROUILLAGE** s'allume pour indiquer l'état verrouillé.

L'icône **VERROUILLAGE** s'éteint pour indiquer l'état déverrouillé.

## État de commande externe

L'icône **Wi-Fi** s'allume pour indiquer que le système utilise une connexion Wi-Fi. L'icône **Wi-Fi** fournit également des renseignements sur la force du signal.

## FONCTIONS AVANCÉES

La disponibilité des fonctions mentionnées dans la section suivante varie selon le modèle de climatiseur.

## Modifiez la fonction MINUTEUR

Naviguez jusqu'au menu **HEURE** pour régler le minuteur.



# Utilisation de la télécommande

**La télécommande** - Reportez-vous aux Figure 52 pendant la lecture de ce chapitre.

**Avant de commencer** - Installez 2 piles AAA dans le logement situé à l'arrière de la télécommande.

**Mode d'emploi** - Pour utiliser la télécommande vous devez vous tenir à moins de 7,60 m (25 pieds) du climatiseur (voir Figure 52). Appuyez sur la touche pour activer la télécommande. Celle-ci s'éteindra automatiquement au bout de 15 secondes d'inactivité.

**Touche Marche/Arrêt** - Allume ou éteint la télécommande et le climatiseur.

**Touche « SYSTEM »** - Permet à l'utilisateur de sélectionner séquentiellement les éléments suivants: opérations AUTO, COOL, HEAT et FAN ONLY. Lorsque vous appuyez sur le bouton, l'affichage indique le mode sélectionné par le biais d'un message. Notez que lorsque la fonction de chauffage n'est pas disponible, le système ignore automatiquement le mode HEAT.

**Touche « FAN MODE »** - Permet de sélectionner le fonctionnement automatique ou continu. En mode AUTO, le ventilateur ne se met en marche que lorsque le compresseur fonctionne ou que la fonction de chauffage est activée.

**NOTE:** AUTO FAN n'est pas disponible en mode FAN ONLY, l'affichage indique CONTINU. En mode CONTINU, la vitesse du ventilateur est déterminée par votre sélection sur le bouton FAN SPEED.

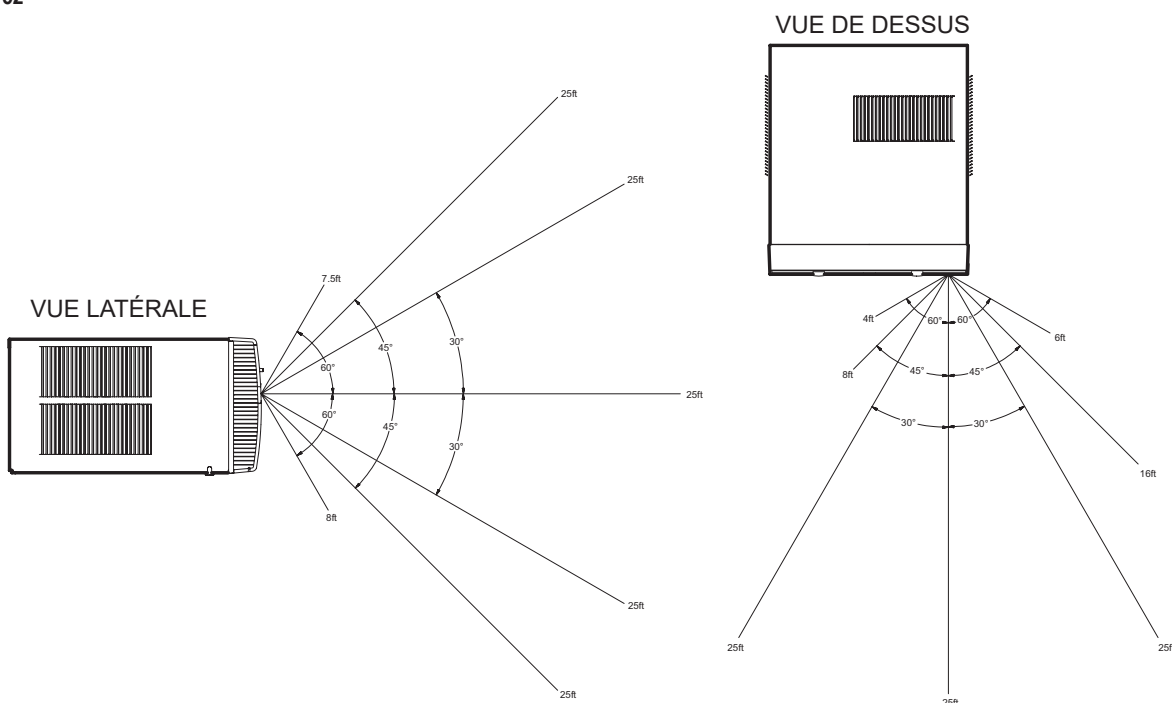
**Touche « FAN SPEED »** - Permet de sélectionner la vitesse du ventilateur, ainsi que le fonctionnement AUTO. Lorsque vous pressez la touche la vitesse du ventilateur s'affiche temporairement et la jauge indique le niveau correspondant à la vitesse. La vitesse du ventilateur varie automatiquement en fonction de la température réglée sur le panneau de commandes et de la température réelle de la pièce. Par exemple, si vous travaillez dans votre garage et que vous êtes obligé d'ouvrir la porte pendant plusieurs minutes, le climatiseur détectera une différence de température importante et réglera automatiquement le ventilateur à la vitesse maximum. La vitesse du ventilateur se maintiendra ainsi jusqu'à ce que la pièce atteigne la température consignée.

**Flèches HAUT et BAS** - Appuyez sur le bouton UP ou DOWN pour changer la température ambiante souhaitée. Les limites inférieure et supérieure pré-réglées en usine sont 60 °F (16 °C) et 99 °F (37 °C). Ces boutons servent également à naviguer entre les options de fonction lorsque vous utilisez le menu utilisateur ou le mode maintenance.

## Efficacité de la télécommande

**La manette de télécommande** - A un rayon d'action d'environ 7,60 mètres (25 pieds). Pour permettre la transmission du signal infrarouge il ne doit y avoir aucun obstacle entre la télécommande et le climatiseur. Comme celui d'une télécommande de téléviseur, le signal ne peut traverser les murs et le mobilier. Le schéma ci-dessous indique la capacité de transmission normale de la télécommande dans une pièce standard d'environ 2,45 m (8 pi) de haut.

Figure 52



FRR080

# Sélection et réglage du flux d'air

## Direction du flux d'air


La direction du flux d'air peut être modifiée de manière indépendante du côté gauche et du côté droit de la grille de ventilation. Chacun des ensembles de déflecteurs peut être orienté vers la gauche, vers la droite, vers le haut ou vers le bas afin de diriger le flux d'air de la manière la plus efficace possible.

Pour modifier la direction du flux d'air, saisissez la manette située au milieu de la grille de ventilation et déplacez-la dans le sens désiré du flux d'air. Veuillez noter que la force du flux d'air peut être normalement plus importante d'un côté que de l'autre.

## Commande d'apport d'air neuf et d'extraction

Avec votre climatiseur, vous avez la possibilité de faire entrer de l'air neuf ou d'évacuer l'air vicié de la pièce. La commande se trouve sous la grille de ventilation (voir Figure 53).

**POUR EFFECTUER UN APPORT D'AIR NEUF** – Déplacez la manette à la position Air neuf  afin de permettre l'apport d'air extérieur dans la pièce. Cette fonction est particulièrement utile en automne et au printemps lorsque vous désirez renouveler l'air de la pièce en mode VENTILATION SEULEMENT. Vous pouvez également l'utiliser en été lorsque le compresseur est en mode Climatisation.

**ÉVACUATION DE L'AIR INTÉRIEUR** – Poussez la manette à la position Extraction . L'air vicié sera alors évacué vers l'extérieur du bâtiment. Cette fonction est particulièrement utile au printemps et en automne lorsque l'air a tendance à stagner à l'intérieur ou après une réunion de personnes comprenant des fumeurs, ou encore pour évacuer les odeurs de cuisson.


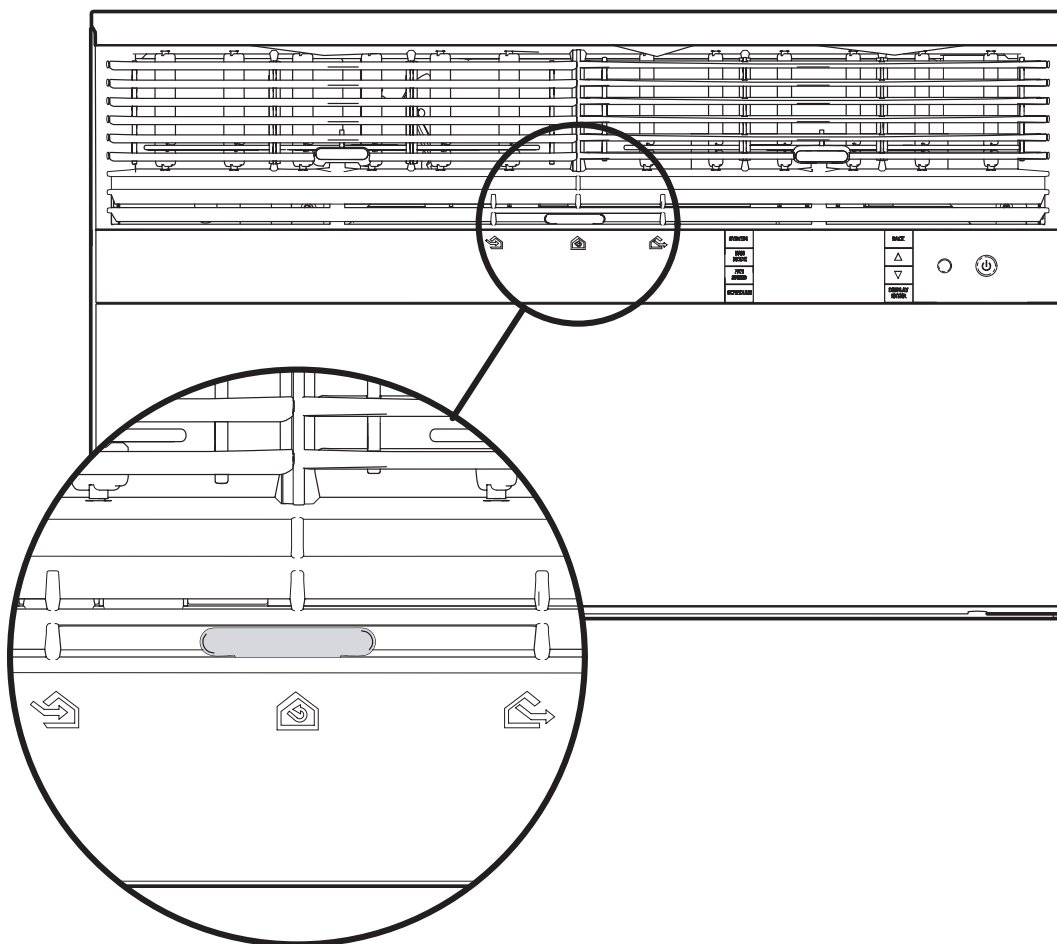
**PERFORMANCE OPTIMALE** – Replacez la manette à la position Recirculation  pour obtenir le maximum d'efficacité en mode climatisation ou chauffage.

Figure 53




FRR008

# Instructions d'installation

À LIRE EN PRIORITÉ ! Installation électrique

**⚠ AVERTISSEMENT**



**Risque d'électrocution**

Assurez-vous que votre prise électrique murale soit du type correspondant à la prise du climatiseur. Si ce n'est pas le cas, faites appel à un électricien professionnel.

N'utilisez pas d'adaptateur de prise.  
N'utilisez pas de cordon de rallonge.  
N'enlevez pas la broche de mise à la terre.

Branchez uniquement sur une prise pour 3 broches, reliée à la terre. Coupez l'alimentation électrique avant une réparation ou une.

**IMPORTANT:** Avant de procéder à l'installation de votre climatiseur, informez-vous sur les exigences du Code canadien de l'électricité et sur les détails suivants. Votre climatiseur doit être branché sur un courant alternatif (c.a.) dont la tension et l'intensité correspondent aux caractéristiques indiquées sur la plaque signalétique située sur le boîtier de l'appareil. Le climatiseur fonctionne uniquement sur courant alternatif (c.a.) et NON sur courant continu (c.c.).

**PROTECTION DU CIRCUIT** – Utilisez un circuit à une seule prise exclusivement réservé au climatiseur. Un circuit surchargé entraînerait invariablement un mauvais fonctionnement ou une panne du climatiseur. Il est donc essentiel que le circuit soit adéquatement protégé. En raison de l'appel de courant important au moment du démarrage, utilisez un fusible à retardement ou un disjoncteur de type HACR. En cas de doute, informez-vous auprès du fournisseur du climatiseur ou auprès de votre distributeur d'électricité.

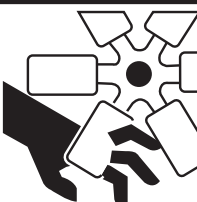
Reportez-vous à la plaque signalétique de l'appareil (voir Page 2) pour déterminer la puissance du fusible ou du disjoncteur correspondant à votre climatiseur (Pour le type de prise murale, voir Tableau 1, Page 6).

Le cordon d'alimentation étant muni d'une fiche avec mise à la terre, vous devez disposer d'une prise murale du type correspondant.

The following instructions are for standard chassis model groups distinguished by the first three letters of the model designations cabinet sizes listed in Table 2.

TYPE DE BOÎTIER	DIMENSIONS (H x L x P)
PETIT – KCS, KES, KHS	15 15/16" x 25 15/16" x 29" (405 mm x 660 mm x 737 mm)
MOYEN – KCM, KEM, KHM	17 15/16" x 25 15/16" x 29" (455 mm x 660 mm x 737 mm)
GRAND – KCL, KEL, KHL	20 3/16" x 28" x 35 1/2" (513 mm x 711 mm x 851 mm)

**⚠ AVERTISSEMENT**



**Pièces mécaniques dangereuses**

- Ne pas faire fonctionner l'appareil sans son boîtier ou sans la grille de façade.
- Ne pas approcher les mains des pales du ventilateur.

Ignorer cet avertissement peut entraîner des blessures graves.

**⚠ ATTENTION**



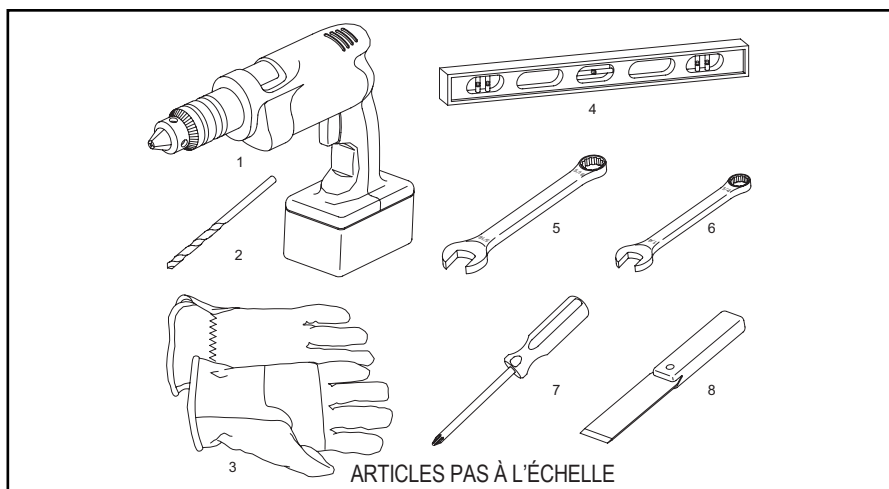
**Poids excessif**

Au moins deux personnes sont requises pour la pose du climatiseur.

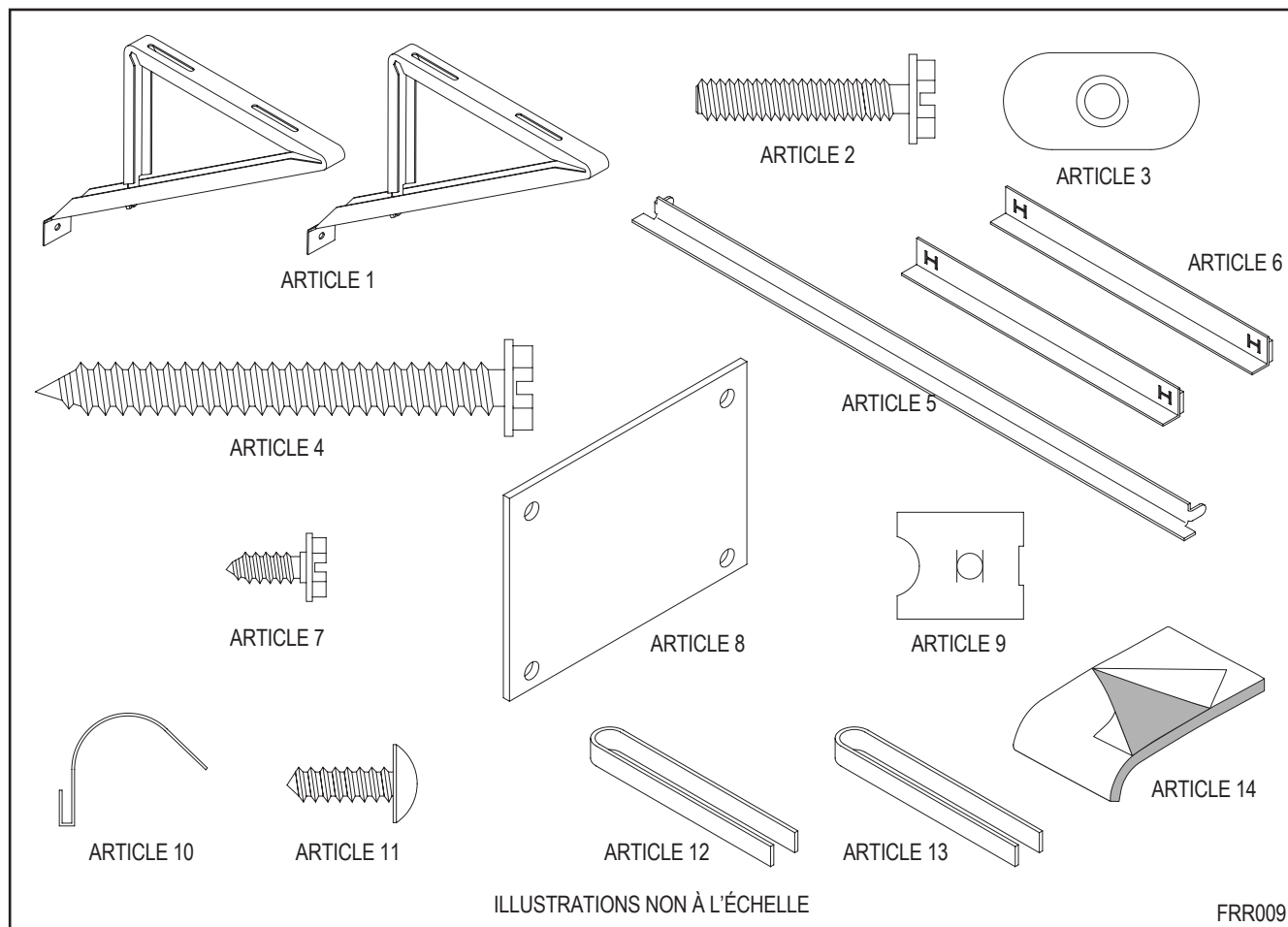
Ignorer cet avertissement peut entraîner des blessures au dos ou d'autres blessures.

## Outillage nécessaire

1. Perceuse électrique
2. Mèche de 5/32 po
3. Gantes
4. Nivel
5. Clé de 5/16 po
6. Clé de 1/4 po
7. Tournevis Phillips N° 2
8. Couteau à mastic (ou spatule en bois)



# MATÉRIEL D'INSTALLATION



Quincaillerie d'installation pour montage dans une fenêtre		
PIÈCE N°	DESCRIPCÓN	QTÉ.
<b>PIÈCES DE MONTAGE DU CACHE</b>		
8	CACHE (MASONITE)	1
9	ÉCROUS DE VERROUILLAGE « J »	4
10	CLIP (RESSORT ACIER)	4
11	VIS #8 x ½ po PHILLIPS TÊTE BOMBÉE	4
<b>ÉTANCHEMENT DE LA FENÊTRE</b>		
12	JOINT POUR FENÊTRE (TEINTE FONCÉE)	1
13	JOINT POUR BOÎTIER (TEINTE CLAIRE)	1
<b>PIÈCES DU SUPPORT</b>		
1	ÉQUERRES DE SOUTIEN	2
2	VIS 10-24 x 1 po TÊTE HÉXAGONALE	4
3	ÉCROU À SOUDER PLAT 10-24	4
4	VIS À TÔLE #12 x 2 po	7
<b>PROFILÉS DE BUTÉE EN 3 PARTIES</b>		
5	PROFILÉ SUPÉRIEUR	1
6	PROFILÉS LATÉRAUX	2
7	VIS À TÔLE #8 x ¾ po	2

Quincaillerie d'installation pour montage encastré dans le mur		
PIÈCE N°	DESCRIPCÓN	QTÉ.
<b>PIÈCES DU SUPPORT</b>		
4	VIS À TÔLE #12A x 2 po	7
14	JOINT POUR BOÎTIER (TEINTE CLAIRE)	1

**NOTE:** Les modèles Kühl + ne sont pas livrés avec des accessoires de montage pour fenêtre. Pour installer un climatiseur avec chauffage vous devez acheter le kit d'installation séparément.

**KWIKS** – Pour tous les modèles KES et KH.


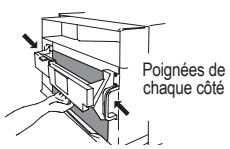
**KWIKM** – Pour tous les modèles KEM et KHM.

**KWIKL** – Pour tous les modèles KEL et KHL.

# Installation en fenêtre à guillotine

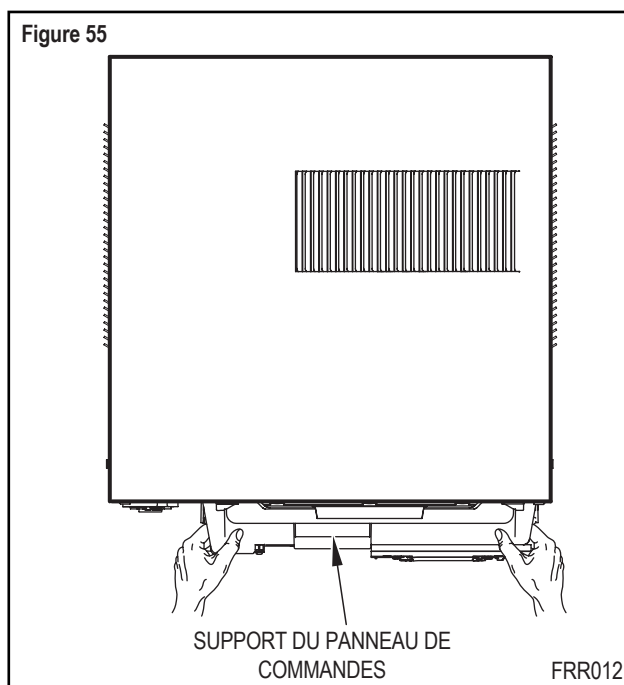
**NOTE:** Le matériel nécessaire à l'installation est illustré à la Page 28. Dans ces instructions, chaque pièce est identifiée par son numéro.

**ÉTAPE 1.** Enlevez le câble de sécurité Entrygard en retirant la vis à l'extrême droite (voir Figure 54). Conservez la vis pour remettre le câble en place après l'installation (Étape 12). Retirez également les deux vis de retenue et leur rondelle, à l'arrière de l'appareil (voir Figure 54) et jetez-les.

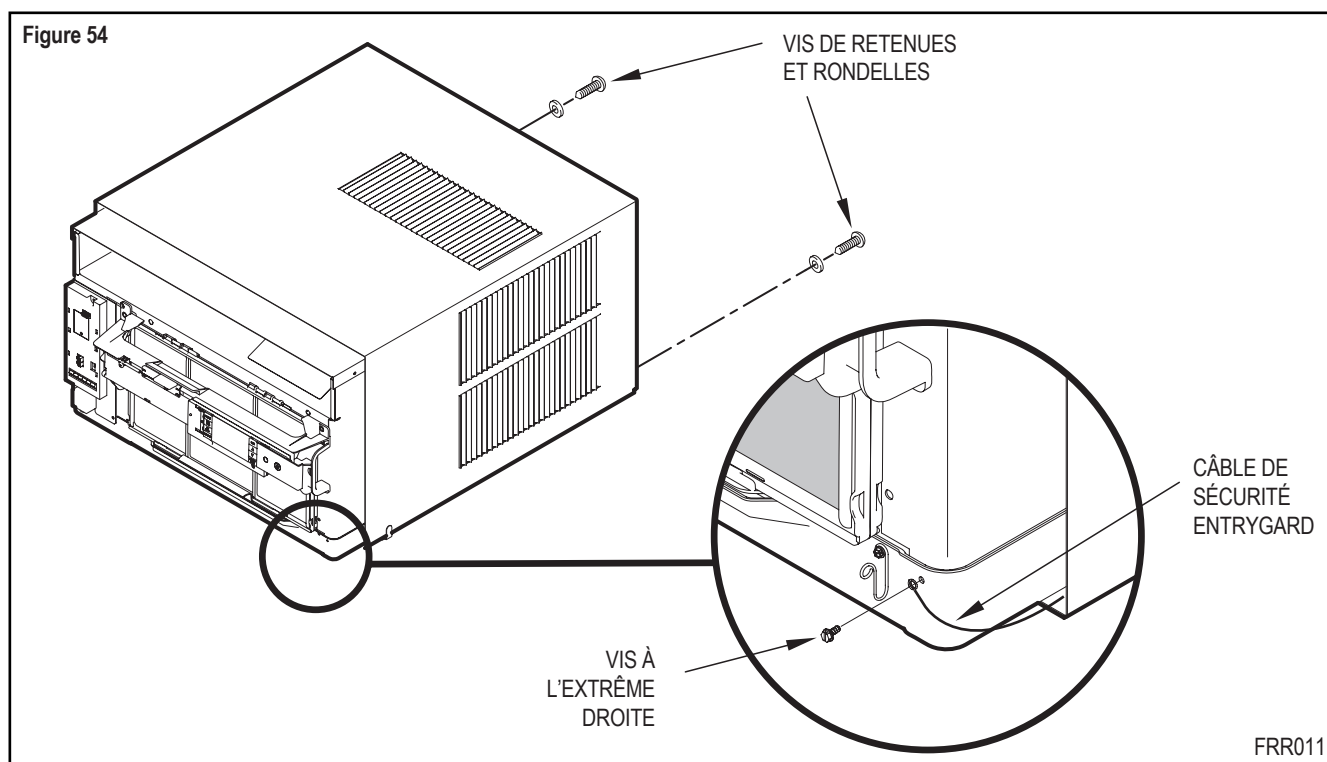
 <b>ATTENTION</b>	
 <p>Poignées de chaque côté</p>	<p><b>Utilisation des poignées</b></p> <p>Se servir des poignées de chaque côté de l'appareil pour sortir celui-ci du boîtier.</p> <p>Ne pas pousser, tirer ni oulever l'appareil par le centre du support.</p>

**ÉTAPE 2.** Maintenez fermement le boîtier et utilisez les poignées de chaque côté du support du panneau de commandes pour sortir l'appareil du boîtier (voir Figure 55).

**ÉTAPE 3.** Utilisez les gros blocs de mousse servant à retenir le compresseur pendant l'expédition (voir Figure 56). Inspectez le fond de l'appareil et enlevez éventuellement tous les débris de mousse. Ne retirez pas encore les autres blocs de mousse.



**ÉTAPE 4.** Montez les profilés de butée latéraux (Pièce N° 6) en engageant les pattes de la base du boîtier (voir Figure 57, Détail B-2) dans les anses des profilés. Engagez les pattes du profilé supérieur (Pièce N° 5) dans les anses supérieures des profilés latéraux (voir Figure 57, Détail B-1). Posez les 2 vis (Pièce N° 7) pour fixer l'ensemble au boîtier (voir Figure 57, Détail B-1).



# Installation en fenêtre à guillotine a continué

## ⚠ ATTENTION



### Enlever les blocs de mousse

Avant d'utiliser l'appareil, retirer tous les blocs de mousse ayant servi à l'expédition.

Ne pas le faire peut entraîner dommages à l'unité qui n'est pas couvert par le fabricant garantie!

**ÉTAPE 5.** Vérifiez l'appui et le cadre de la fenêtre pour vous assurer qu'ils sont en bon état et solidement ancrés au mur. Réparez au besoin.

**ÉTAPE 6. INSTALLATION DU BOÎTIER** – Soulevez la fenêtre de 6 mm ( $\frac{1}{4}$  po) de plus que la hauteur du boîtier. Glissez ce dernier délicatement dans l'ouverture jusqu'à ce que le rail d'appui repose derrière l'appui de fenêtre et que le profilé de butée supérieur soit en contact avec la fenêtre (voir Figure 18). Centrez le boîtier dans l'ouverture. Dans l'appui de fenêtre, percez 3 avant-trous de 4 mm ( $\frac{5}{32}$  po) de diamètre correspondant aux trous du rail d'appui du boîtier. Posez 3 longues vis #12 x 2 po (Pièce N° 4) (voir Figure 18).

**ÉTAPE 7. MONTAGE DU SUPPORT EXTÉRIEUR** – Voir les Figures 19 et 20. Fixez les équerres (Pièce N° 1) sous le boîtier au moyen des 4 vis 10-24 de 2,5 cm (Pièce N° 2) et des 4 rondelles plates 10-24 (Pièce N° 3). Faites coïncider les trous oblongs des équerres avec les trous prévus sous le boîtier, de manière à ce que l'extrémité inférieure des équerres soient en contact avec le mur. VOUS DEVEZ POSER UN TASSEAU DE 1 x 4 po OU DE 2 x 4 po ENTRE LE MUR ET LES ÉQUERRES S'IL S'AGIT D'UN PAREMENT EN ALUMINIUM OU EN VINYL. Percez des avant-trous de 4 mm ( $\frac{5}{32}$  po) et vissez les équerres sur le mur au moyen des 2 vis 12A x 2 po (Pièce N° 4).

**NOTE:** Ne METTEZ PAS LE BOÎTIER DE NIVEAU, mais prévoyez une pente de 1 à 1,3 cm ( $\frac{3}{8}$  à  $\frac{1}{2}$  po) ( $\frac{1}{8}$  à  $\frac{1}{4}$  sur le niveau à bulle) vers l'extérieur du bâtiment.

Ajustez les équerres de manière à créer une pente vers l'extérieur pour évacuer l'excès de condensats (Reportez-vous à Installation en fenêtre à guillotine, Figures 59 à 61). Serrez toutes les vis.

**Méthode alternative A:** Si le rebord extérieur de la fenêtre est très profond et qu'il vous empêche de placer les équerres tel qu'indiqué à la Figure 61, modifiez l'installation des équerres de manière à supporter le poids du boîtier tel qu'illustré à la Figure 62. Serrez toutes les vis.

**Méthode alternative B:** Si l'espace entre le rebord de la fenêtre et le boîtier est trop étroit, procédez de la manière suivante: redressez l'extrémité de l'équerre; coupez l'équerre aux 2 endroits indiqués sur la Figure 23. La partie courte doit être bien verticale lors de l'installation. Montez l'équerre à l'endroit adéquat et serrez toutes les vis.

**ÉTAPE 8.** Dans le panneau de Masonite fourni (Pièce N° 8), mesurez et découpez les deux parties du cache en prévoyant un dégagement de 3 mm ( $\frac{1}{8}$  po), de manière à couvrir l'espace libre entre le cadre de la fenêtre et le boîtier de l'appareil (Figure 24). La mesure doit inclure la profondeur de la glissière verticale de la fenêtre.

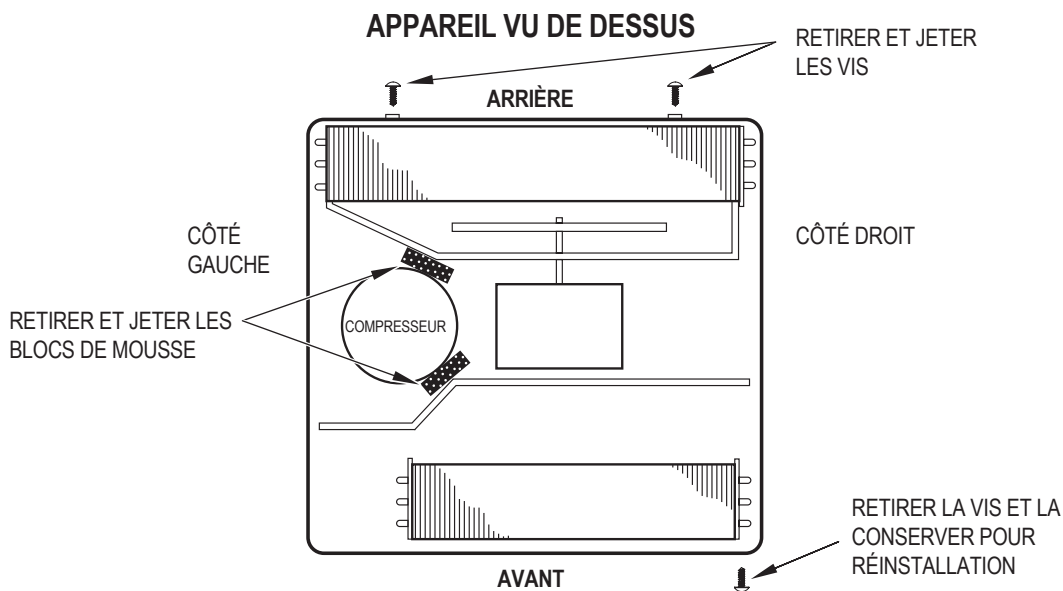
## IMPORTANT



Pour VOTRE sécurité, vous devez fournir un moyen de prévenir la partie supérieure partie de la fenêtre de l'ouverture.

**ÉTAPE 9.** Pour installer les panneaux du cache, insérez les écrous de verrouillage de type J (Pièce N° 9) et les clips à ressort en acier (Pièce N° 10) (voir Page 35, Figure 65). Fixez chaque panneau au moyen de 2 vis (Pièce N° 11).

Figure 56



FRR045

# Installation en fenêtre à guillotine a continué

Figure 57

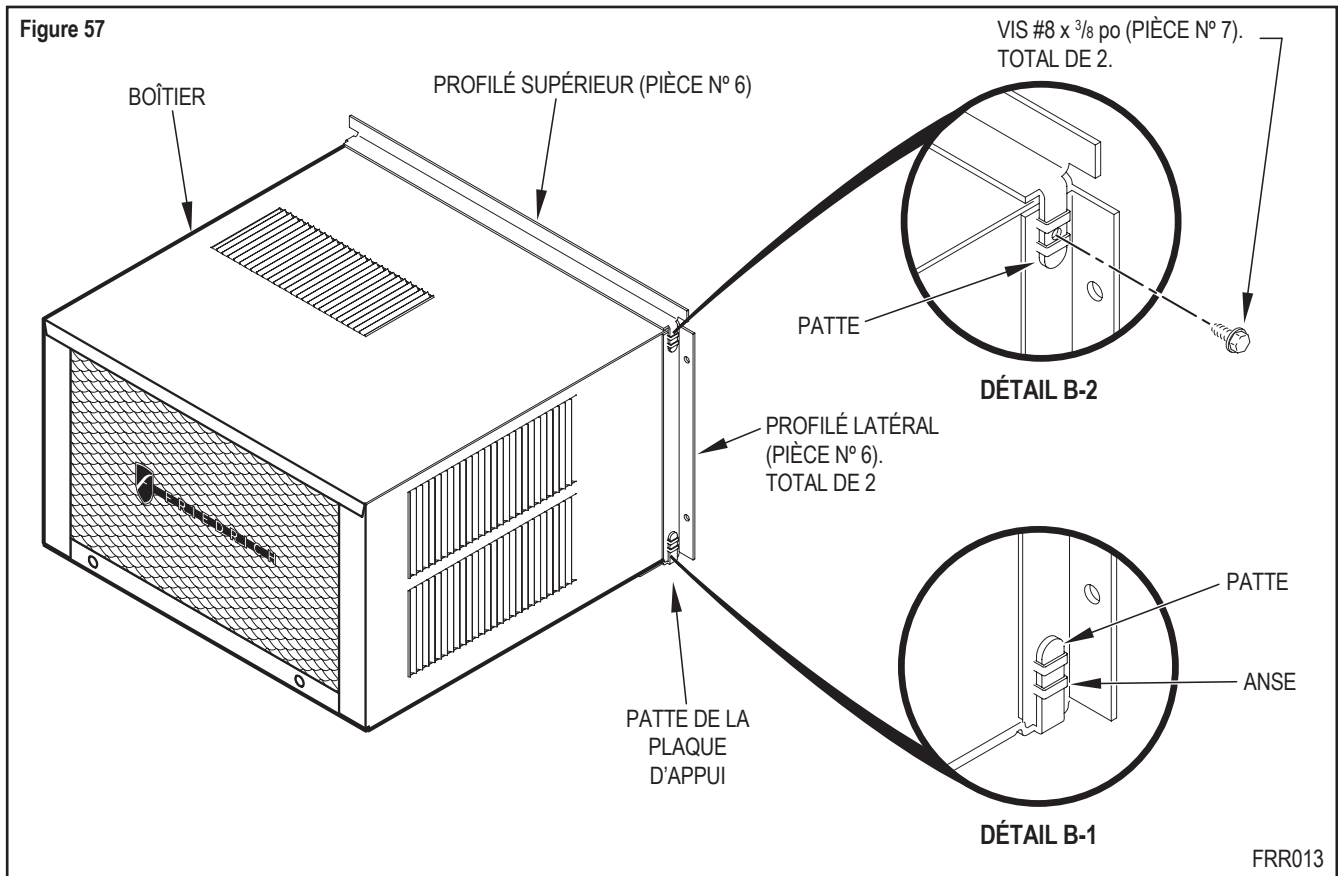
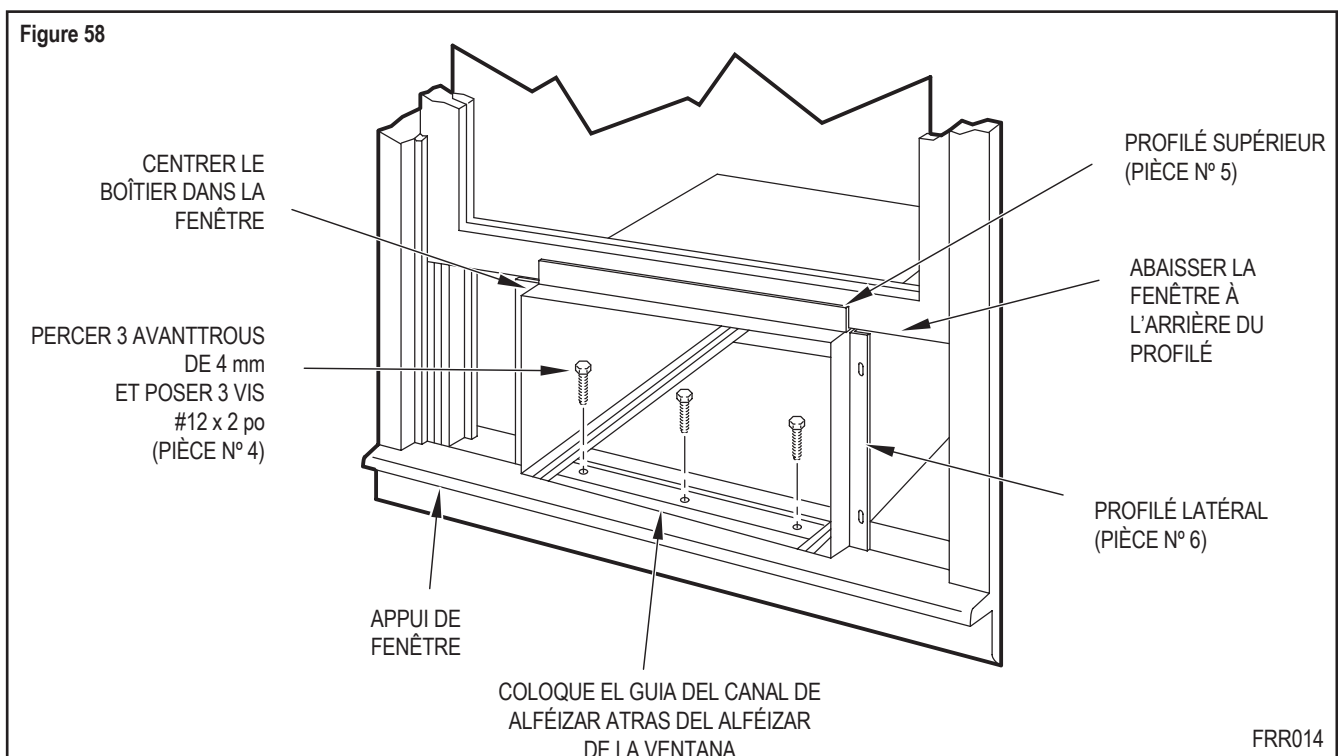


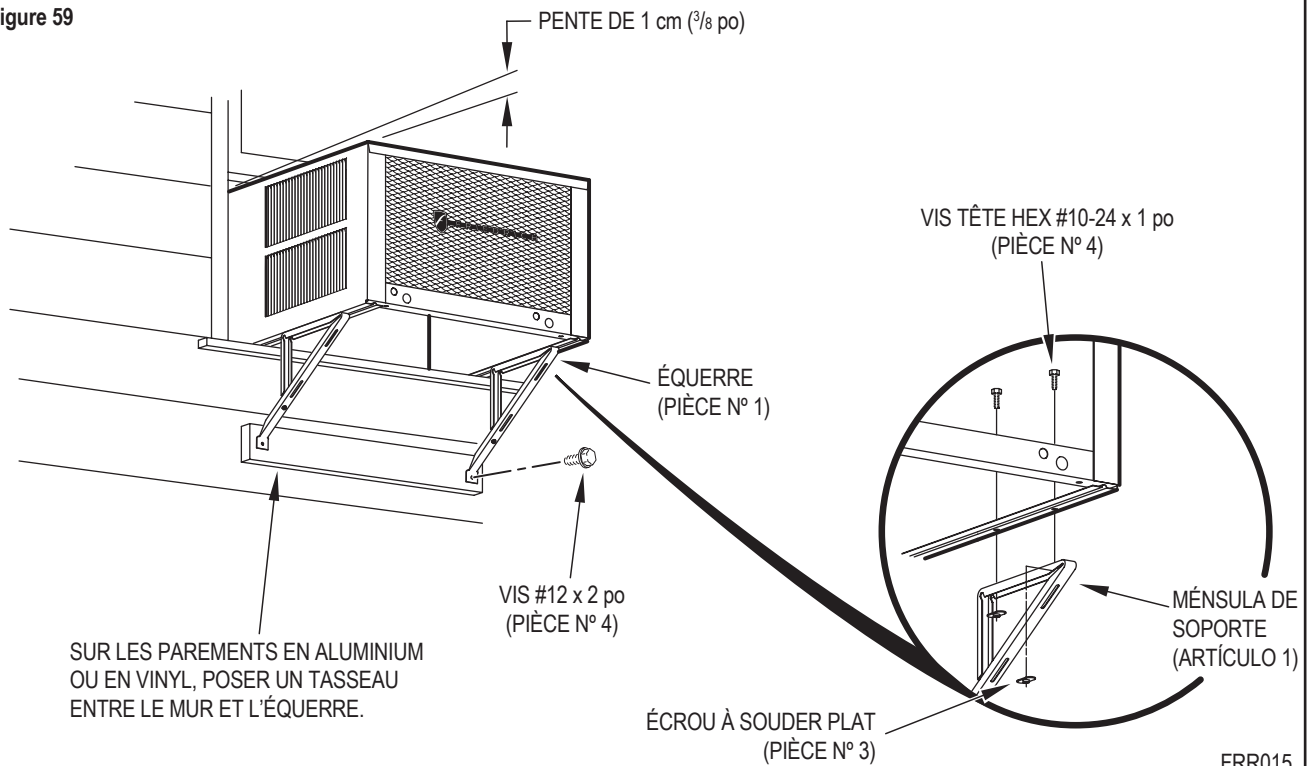
Figure 58





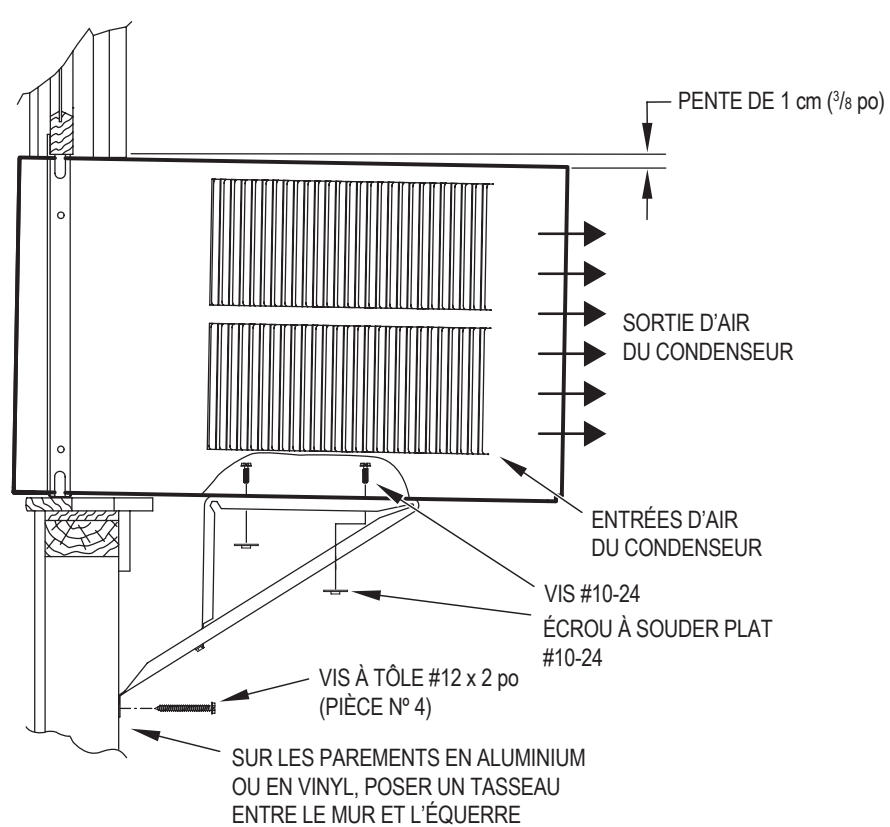
# Installation en fenêtre à guillotine a continué

Figure 59



FRR015

Figure 60



FRR016

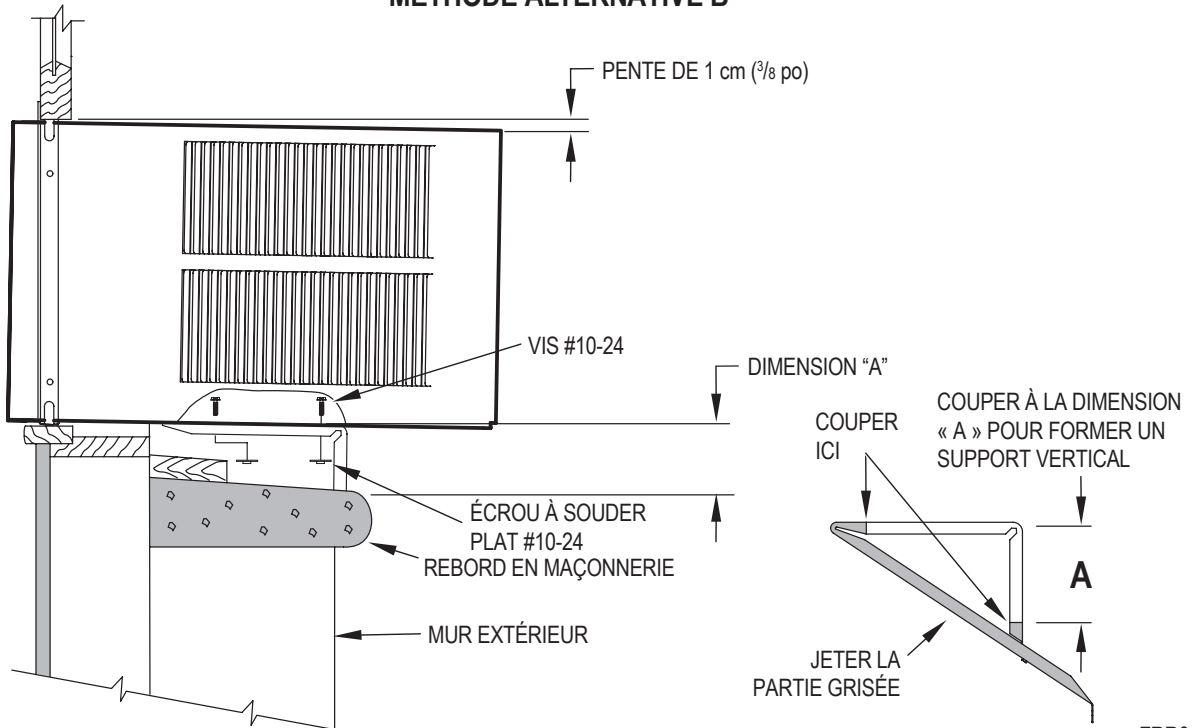




# Installation en fenêtre à guillotine a continué

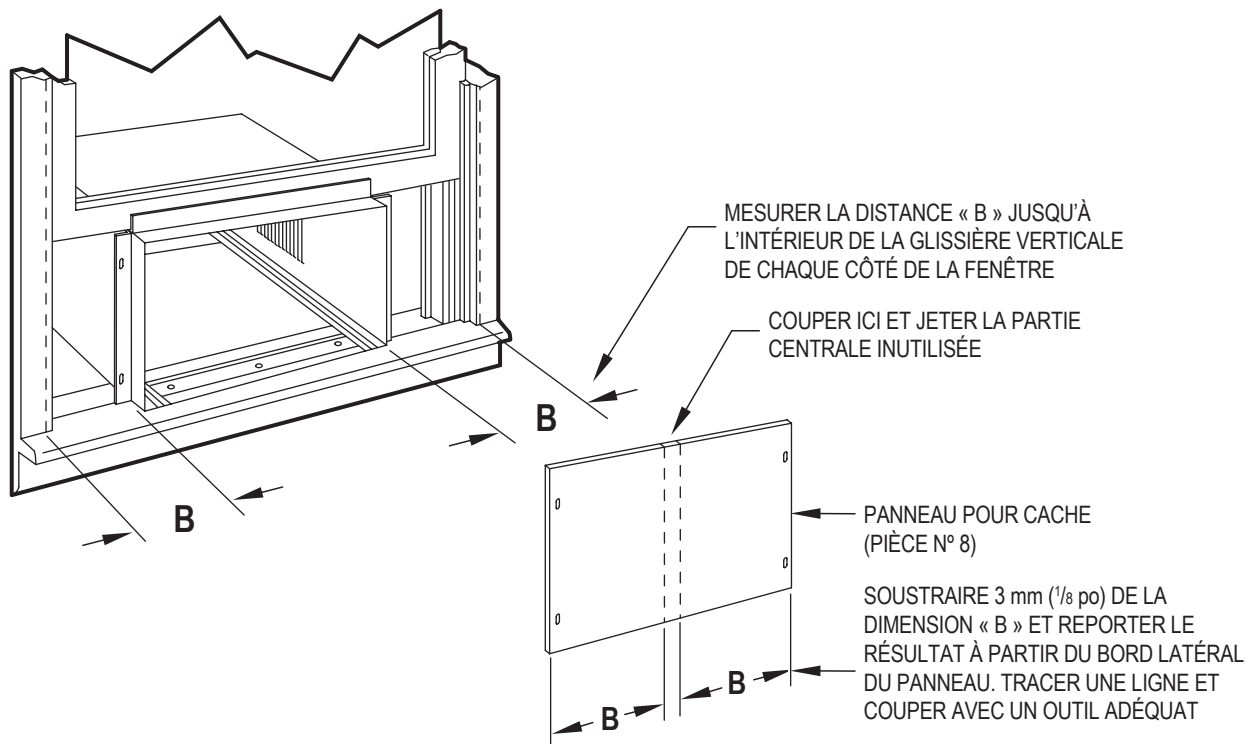
Figure 63

## MÉTHODE ALTERNATIVE B



FRR019


Figure 64



FRR020

# Installation en fenêtre à guillotine a continué

**⚠ ATTENTION**



**Risque de chute d'objets**

Ne pas suivre les instructions d'installation pour monter votre climatiseur peut causer des dommages matériels, des blessures ou mort.

**⚠ ATTENTION**



**Risque de coupures graves**

Malgré le soin apporté dans la fabrication de cet appareil, certaines arêtes peuvent être coupantes. Utilisez des gants de travail et soyez prudents lors de la manutention de cet appareil. Négliger cette précaution peut entraîner des blessures mineures à modérées.

**ÉTAPE 10. INSTALLER LE PANNEAU D'ISOLATION R1** – Pour minimiser les fuites d'air et assurer une isolation optimale, installez le panneau isolant R1 inclus (14 dans la liste des pièces) (voir la Figure 67A-C).

Commencez par mesurer la largeur d'un côté de l'armoire/ manchon (en couvrant les angles latéraux où le panneau d'aile vient d'être fixé) à l'extrémité du panneau d'aile (voir Figure 67A).

Ensuite, coupez le panneau isolant R1 à la largeur mesurée et retirez le capot de protection en exposant l'adhésif sur le panneau arrière (voir la Figure 67B).

Enfin, appliquez uniformément le côté adhésif du panneau sur toute la hauteur et sur toute la largeur, de l'angle latéral au panneau de wingboard (voir Figure 67C).

Répétez les étapes ci-dessus pour l'autre panneau de wingboard.

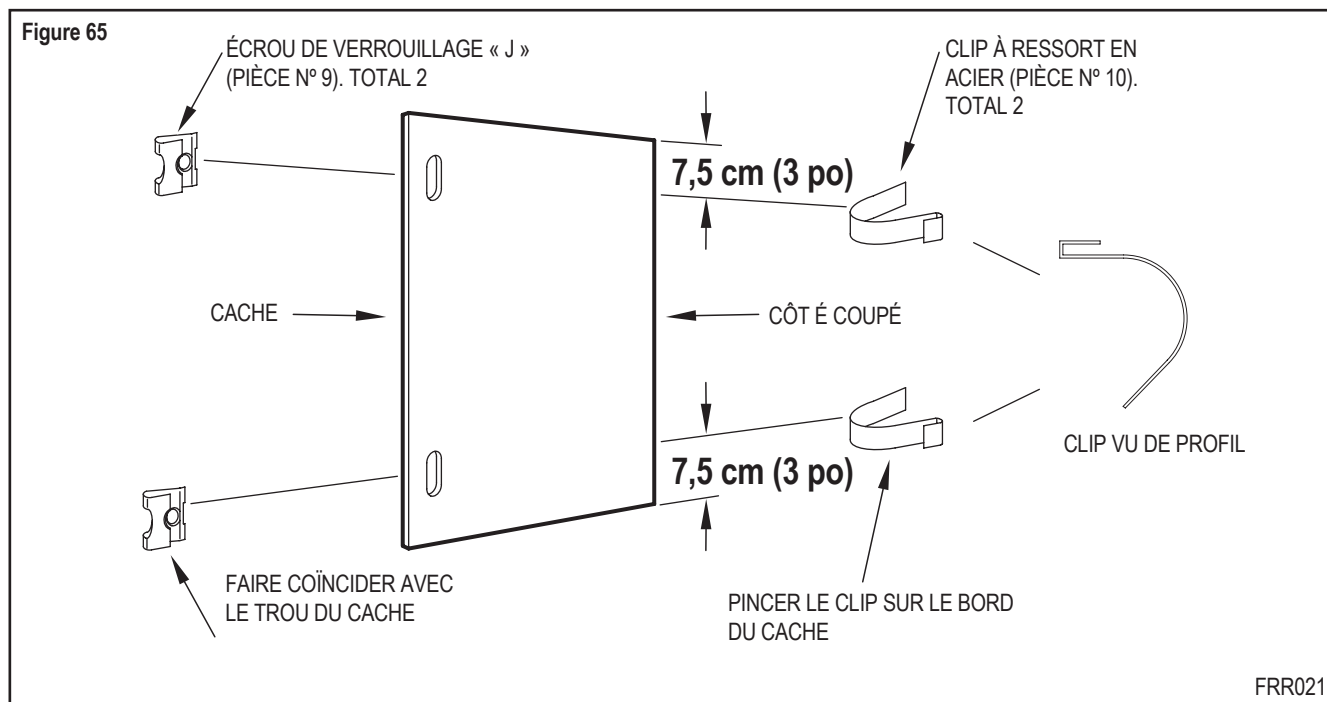
**ÉTAPE 11. INSTALLER LES JOINTS D'ÉTANCHÉITÉ DE LA FENÊTRE** – Mesurez et coupez le joint de joint de fenêtre en mousse noire (Pièce N° 12) et installez-le entre le panneau de verre supérieur et la partie supérieure du volet de fenêtre (voir Figure 67A).

**ÉTAPE 12.** Demandez de l'aide pour soulever délicatement l'appareil, puis glissez celui-ci dans le boîtier en vous arrêtant à environ 8 cm (3 po) de la course complète. Insérez le joint d'étanchéité du boîtier (Pièce N° 13) à 2,5 cm (1 po) de profondeur entre l'appareil et le boîtier (voir Page 37, Figure 68). En vous aidant d'une spatule en bois ou d'un couteau à mastic, commencez l'insertion du joint dans l'un des coins inférieurs en remontant sur le côté, puis le long de la partie supérieure, pour finir dans le coin inférieur opposé.

Ensuite, poussez l'appareil complètement dans le boîtier. chasis completamente adentro del gabinete.

**NOTE:** Une installation incorrecte ou l'absence du joint d'étanchéité compromettra l'efficacité de l'appareil. Cela contribuera également à augmenter le bruit de l'appareil et les bruits extérieurs.

**ÉTAPE 13.** Réinstallez le câble de sécurité Entrygard sur l'appareil au moyen de la vis conservée à l'étape 1 (voir Figure 54).

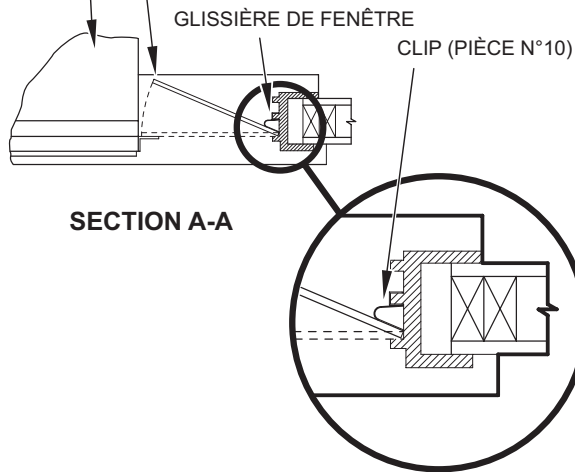


# Installation en fenêtre à guillotine a continué

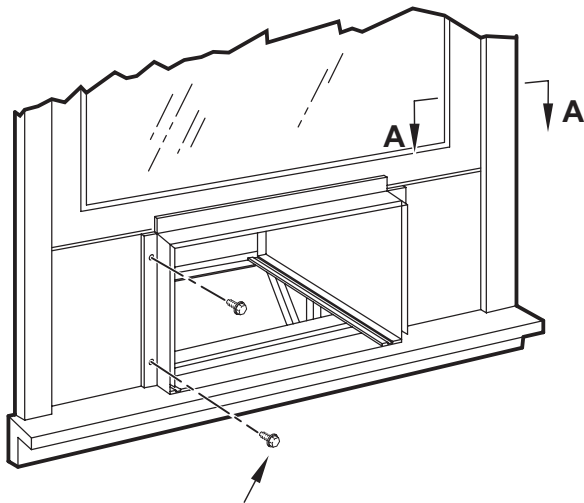
Figure 66

DESSUS DU BOÎTIER

INSÉRER LE CACHE DANS LA GLISSIÈRE DE LA FENÊTRE EN COMPRIMANT LES RESSORTS, PUIS RABATTRE LE CACHE EN PLACE TEL QU'INDIQUÉ PAR LES LIGNES EN POINTILLÉ.



SECTION A-A

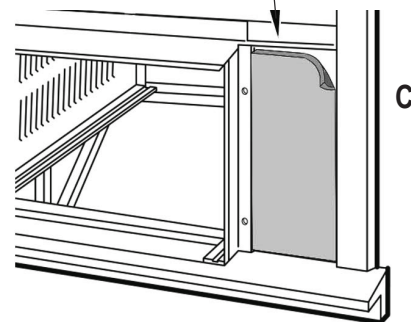
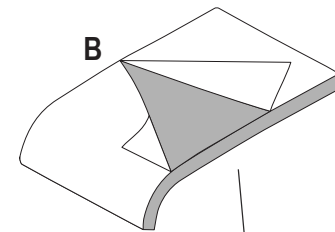
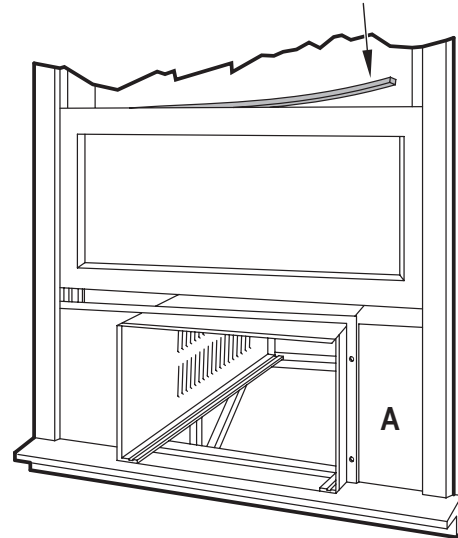


FIXER LES CACHES AUX PROFILÉS LATÉRAUX AVEC LES 4 VIS #8 x 1/2 po (PIÈCE N°11), 2 DE CHAQUE CÔTÉ.

FRR022

Figure 67

INSTALLER LE JOINT EN MOUSSE (PIÈCE N° 12).



SECTION B-B

FRR023

# Installation en fenêtre à guillotine a continué

**FACULTATIF:** À la sortie d'usine, le cordon d'alimentation se trouve sur le côté inférieur gauche de l'appareil. Selon les préférences de l'utilisateur, la sortie du cordon peut être placée à droite. Pour ce faire, dirigez le cordon vers le côté droit en le tendant entre les brides, puis faites-le sortir vers le bas (voir Changement d'orientation du cordon, Figure 70).

**ÉTAPE 14.** Pour installer la grille de façade sans l'endommager, faites passer le cordon d'alimentation dans l'encoche passe-fil et centrez le levier de renouvellement d'air. Puis vissez les 4 vis captives indiquées par les flèches à la Figure 68. Avant de fermer le panneau de façade, assurez-vous que le filtre est en place. Veillez à ce que les rideaux n'obstruent pas les entrées d'air latérales.

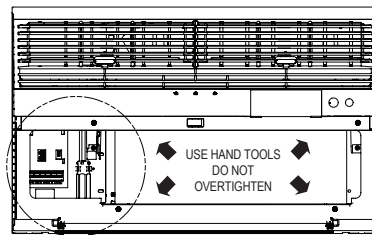
**ÉTAPE 15.** Reportez-vous au chapitre Le tableau de bord de l'appareil.

Vous voici prêt à prendre les commandes du climatiseur.

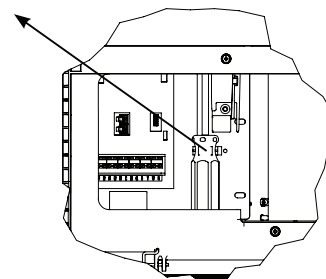
## Utilisez l'outil fourni

Pour fixer le panneau de finition sur la façade de l'appareil, veuillez utiliser l'outil fourni.

Figure 69

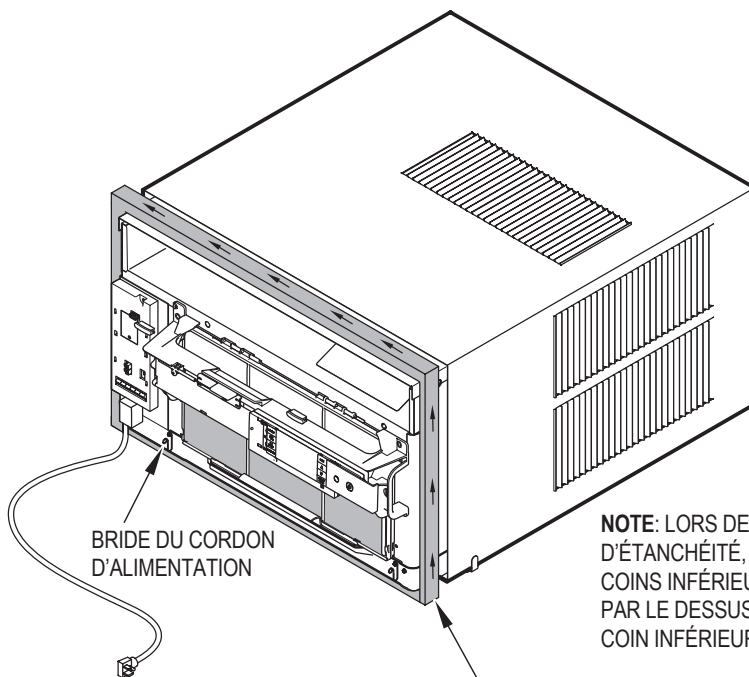


EMPLACEMENT  
DE L'OUTIL DE  
DÉMONTAGE  
DE LA GRILLE



FRR053

Figure 68





**NOTE:** LORS DE L'INSTALLATION DU JOINT D'ÉTANCHÉITÉ, COMMENCER À L'UN DES COINS INFÉRIEURS, PUIS FAIRE LE TOUR PAR LE DESSUS DE L'APPAREIL JUSQU'AU COIN INFÉRIEUR OPPOSÉ.

JOINT D'ÉTANCHÉITÉ DE  
L'APPAREIL (PIÈCE N° 13)

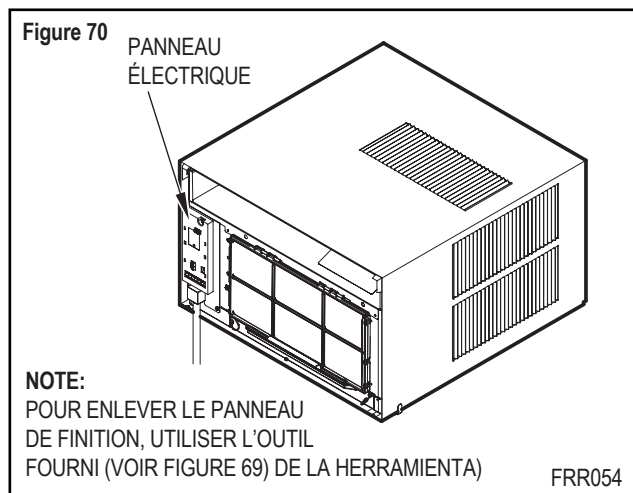
FRR024

# Changement d'orientation du cordon

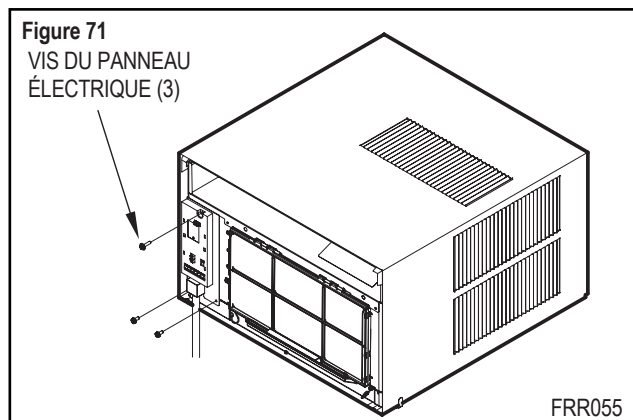
## Débranchez l'appareil.

 <b>AVERTISSEMENT</b>	
	<p><b>Risque d'électrocution</b></p> <p>Assurez-vous que votre prise électrique murale soit du type correspondant à la prise du climatiseur. Si ce n'est pas le cas, faites appel à un électricien professionnel.</p> <p>N'utilisez pas d'adaptateur de prise. N'utilisez pas de cordon de rallonge. N'enlevez pas la broche de mise à la terre.</p> <p>Branchez uniquement sur une prise pour 3 broches, reliée à la terre. Coupez l'alimentation électrique avant une réparation ou une.</p>

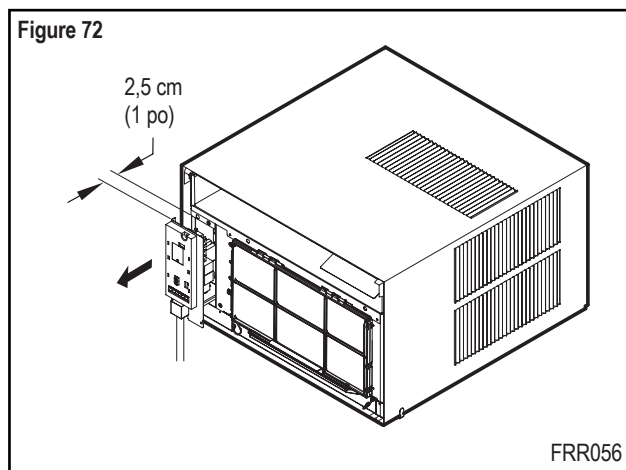
Dans un but pratique et esthétique, la sortie du cordon d'alimentation peut être placée à droite. Veuillez suivre la méthode ci-dessous. Choisissez l'emplacement de la sortie du cordon vers la gauche ou vers la droite en fonction de l'emplacement de la prise murale.



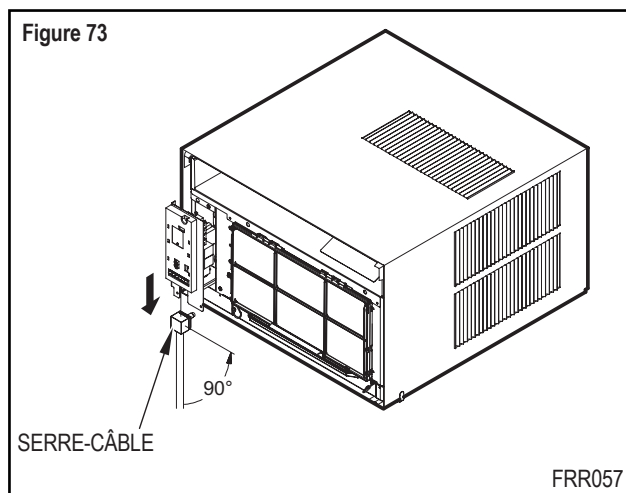
Retirez les 3 vis du panneau électrique, tel qu'illustré. Conservez ces vis pour la réinstallation.



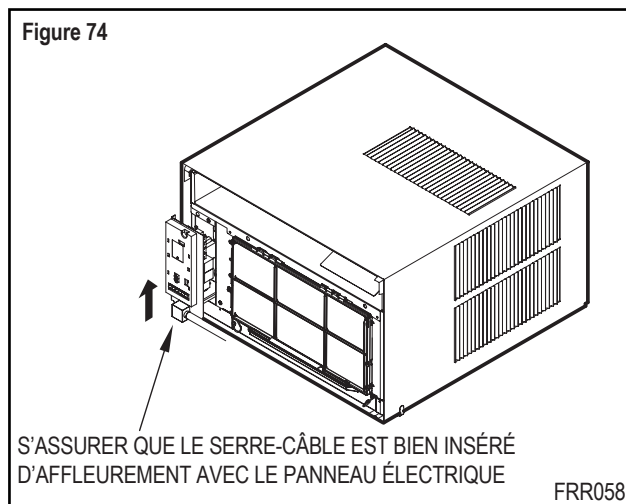
**ÉTAPE 16.** Tirez délicatement sur le panneau électrique en l'éloignant de 2,5 cm (1 po) seulement.



**ÉTAPE 17.** Tirez le serre-câble vers le bas pour le libérer, puis tournez-le de 90° vers la droite.

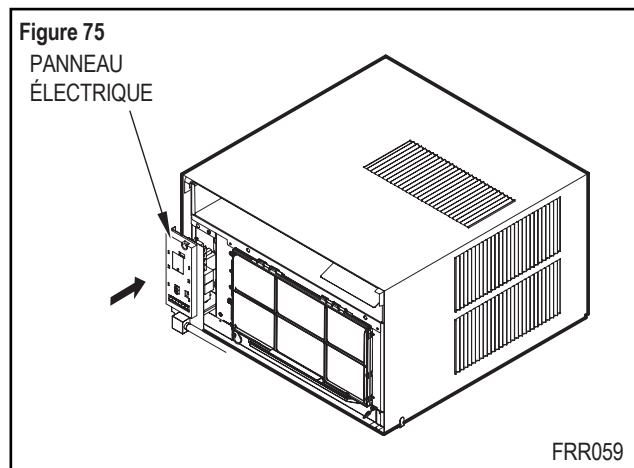


**ÉTAPE 18.** Réinsérez le serre-câble dans le panneau électrique.

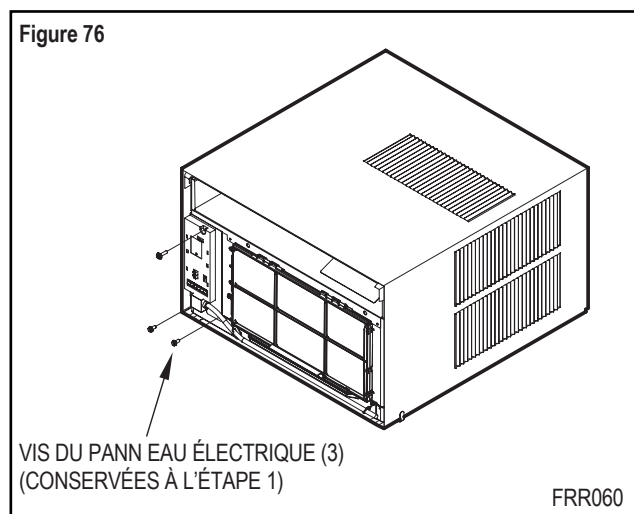


# Changement d'orientation du cordon a continué

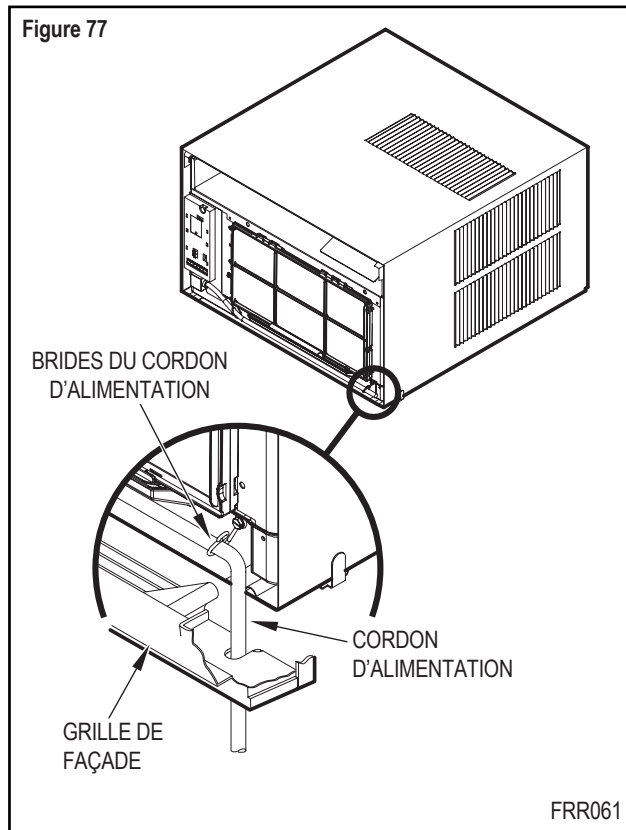
ÉTAPE 19. Repoussez délicatement le panneau électrique dans son logement.



ÉTAPE 20. Remettez en place les 3 vis enlevées précédemment afin de fixer le panneau électrique.



ÉTAPE 21. Si la sortie du cordon d'alimentation doit se trouver sur le côté droit, faites passer le cordon dans les brides situées à la base de l'appareil.



# Installation à travers le mur

## ⚠ ATTENTION



### Risque de chute d'objets

Ne pas suivre les instructions d'installation pour monter votre climatiseur peut causer des dommages matériels, des blessures ou mort.

Les instructions suivantes se rapportent aux constructions en bois, pierres, briques, béton ou blocs de béton de scorie.

**ÉTAPE 1.** Suivez les étapes 1, 2, 3 et 4 du chapitre « Installation en fenêtre à guillotine » débutant à la Page 29.

**ÉTAPE 2. PRÉPARATION DU BOÎTIER** – Retirez le rail d'appui du boîtier en enlevant les 4 vis avec écrous (Figure 78). Retirez également la vis et l'écrou qui retiennent le boîtier sur le côté droit (Figure 78, Détail A). Repliez complètement vers l'intérieur les pattes de chaque côté du rail d'appui ou coupez-les (Figure 78, Détail B). Inversez les deux extrémités du rail d'appui en le faisant pivoter de 180° (Figure 78, Détail B) et réinstallez-le. Les vis doivent être insérées vers l'intérieur, de sorte que leur tête se trouve sous le boîtier et les écrous à l'intérieur (Figure 78, Détail C). N'oubliez pas de réinstaller la vis et l'écrou de retenue du boîtier tel qu'illustré sur le détail.

## IMPORTANT

Les grilles du condenseur côté extérieur NE DOIVENT PAS ÊTRE OBSTRUÉES par l'épaisseur du mur.

**ÉTAPE 3. PRÉPARATION DU MUR** – Le maximum admissible pour l'épaisseur du mur, sans modification, dépend du format du climatiseur. Veuillez respecter les indications de la Figure 79. Pour les murs dont l'épaisseur dépasse le maximum admissible, vous devrez appliquer les modifications illustrées à la Figure 79.

**ÉTAPE 4. CIRCUIT ÉLECTRIQUE ET PLOMBERIE** – Assurez-vous qu'aucun câble électrique ou élément de plomberie, à l'intérieur comme à l'extérieur, ne risque d'être endommagé lors de l'ouverture du mur.

**ÉTAPE 5. CONSTRUCTION DE L'OUVERTURE** – Consultez le Tableau 3 pour déterminer les dimensions de l'ouverture en fonction du format de l'appareil. Pratiquez l'ouverture et construisez l'encadrement aux dimensions finales. S'il s'agit d'un mur conventionnel en charpente de 2 x 4 avec parement de brique ou de dalles de pierre, positionnez l'ouverture contre l'un des montants de charpente. S'il s'agit d'un mur en pierre, en béton ou en blocs de béton de scorie, positionnez l'ouverture selon vos préférences (voir Figures 80, 81 et 82).

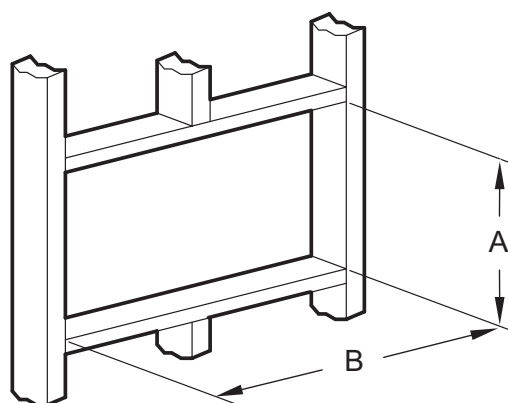


Tableau 3

DIMENSIONS FINALES	PETIT FORMAT	FORMAT MOYEN	GRAND FORMAT
A	41,1 cm (16 <sup>3</sup> / <sub>16</sub> po)	46,2 cm (18 <sup>3</sup> / <sub>16</sub> po)	51,7 cm (20 <sup>3</sup> / <sub>16</sub> po)
B	66,5 cm (26 <sup>3</sup> / <sub>16</sub> po)	66,5 cm (26 <sup>3</sup> / <sub>16</sub> po)	71,7 cm (28 <sup>1</sup> / <sub>4</sub> po)

**NOTE:** Ces chiffres représentent les dimensions finales de l'ouverture.



# Installation à travers le mur à continué

Figure 78

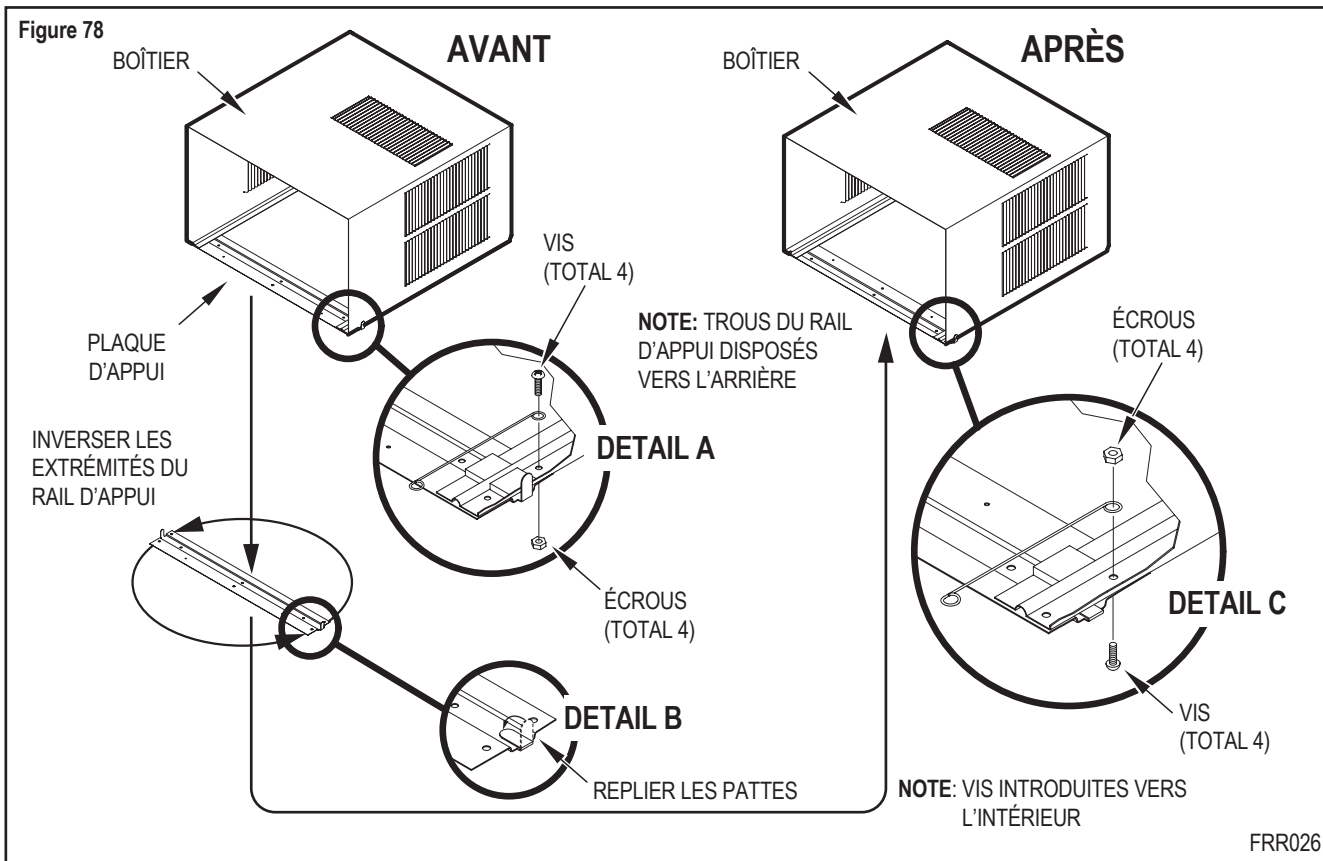
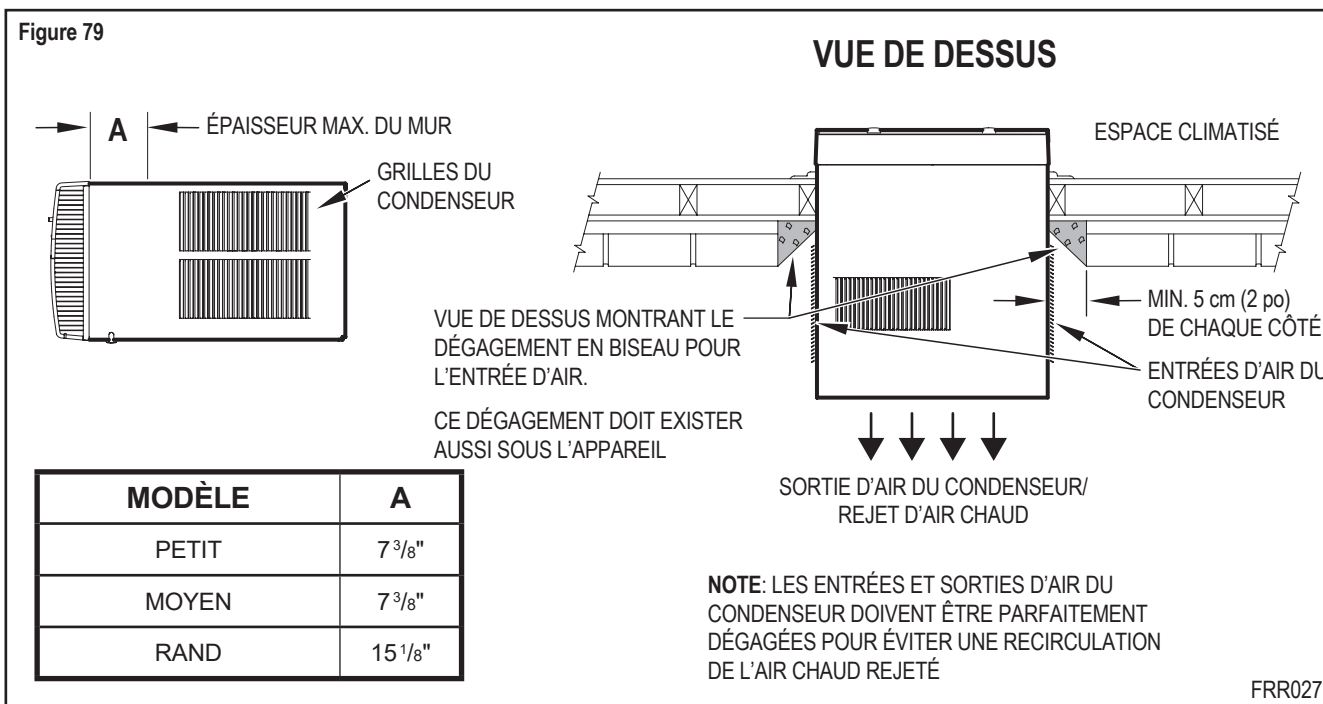
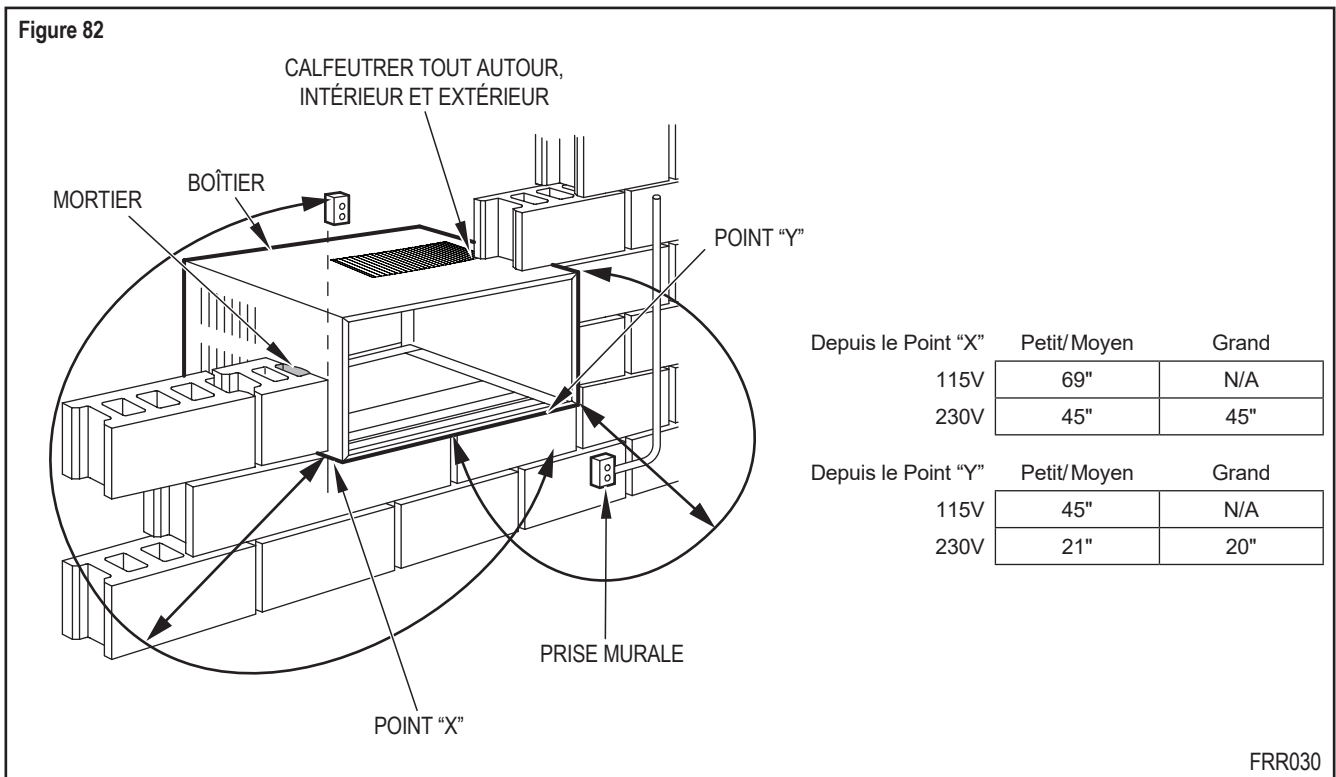
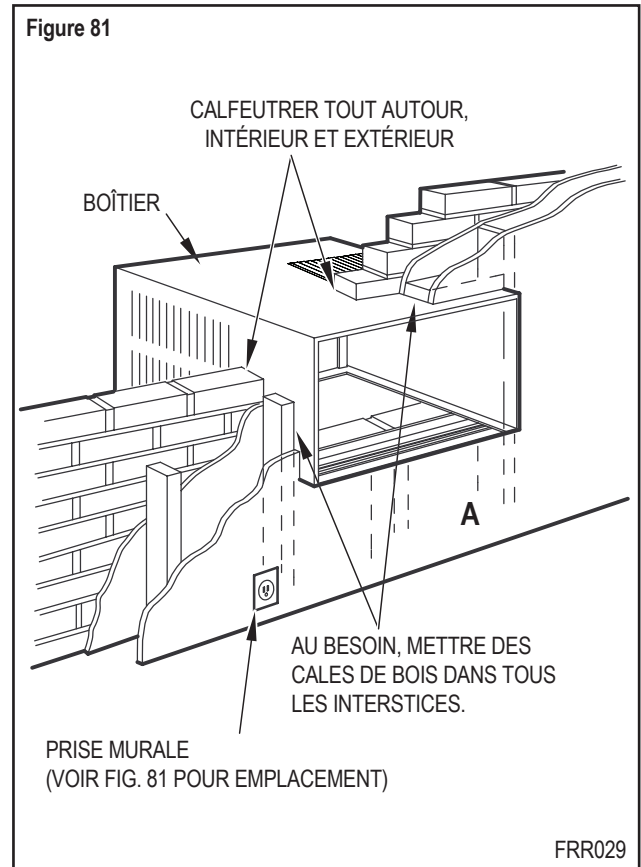
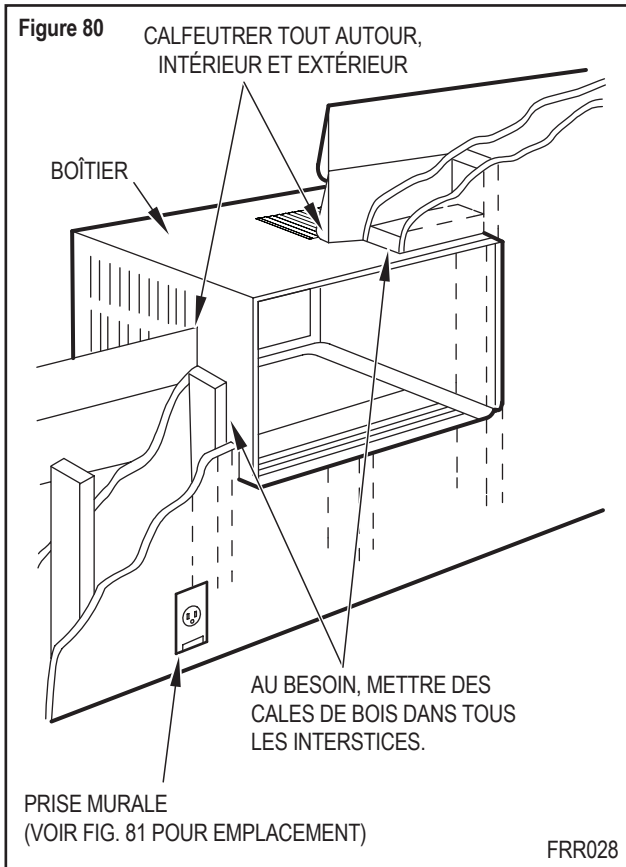


Figure 79



# Installation à travers le mur à continué



# Installation à travers le mur à continué

**ÉTAPE 6.** Introduisez le boîtier dans l'ouverture jusqu'à ce que le rail d'appui soit en contact avec la surface intérieure du mur (voir Figure 83).

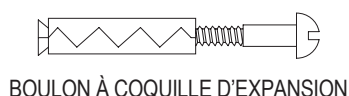
**ÉTAPE 7.** Percez 3 trous de 4 mm ( $\frac{5}{32}$  po) de diamètre dans l'encadrement (de manière à ce qu'ils coïncident avec les trous du rail d'appui), puis posez 3 vis #12 x 2 po (Pièce N° 4) (voir Figure 83).

**NOTE:** Pour fixer le rail d'appui ou les équerres dans des matériaux autres que le bois (blocs de béton, briques, pierre ou béton), utilisez les ancrages adéquats. Vous pouvez vous procurer ces articles dans un magasin de bricolage.

**NOTE:** Ne METTEZ PAS LE BOÎTIER DE NIVEAU, mais prévoyez une pente de 1 à 1,3 cm ( $\frac{3}{8}$  à  $\frac{1}{2}$  po) ( $\frac{1}{8}$  à  $\frac{1}{4}$  sur le niveau à bulle) vers l'extérieur du bâtiment.

**ÉTAPE 8.** Percez 2 trous de 4 mm ( $\frac{5}{32}$  po) de diamètre de chaque côté du boîtier aux emplacements indiqués à la Figure 43 et posez 4 vis #12 x 2 po (Pièce N° 4). En raison de la solidité des éléments de charpente de l'ouverture (Étape 5), l'utilisation des équerres de soutien pourrait être facultative. L'installation doit pouvoir supporter l'appareil, plus un poids supplémentaire de 181 kg à l'arrière du boîtier. Si vous disposez d'équerres (Pièce N° 1), vous pouvez les installer tel qu'indiqué à la Figure 83.

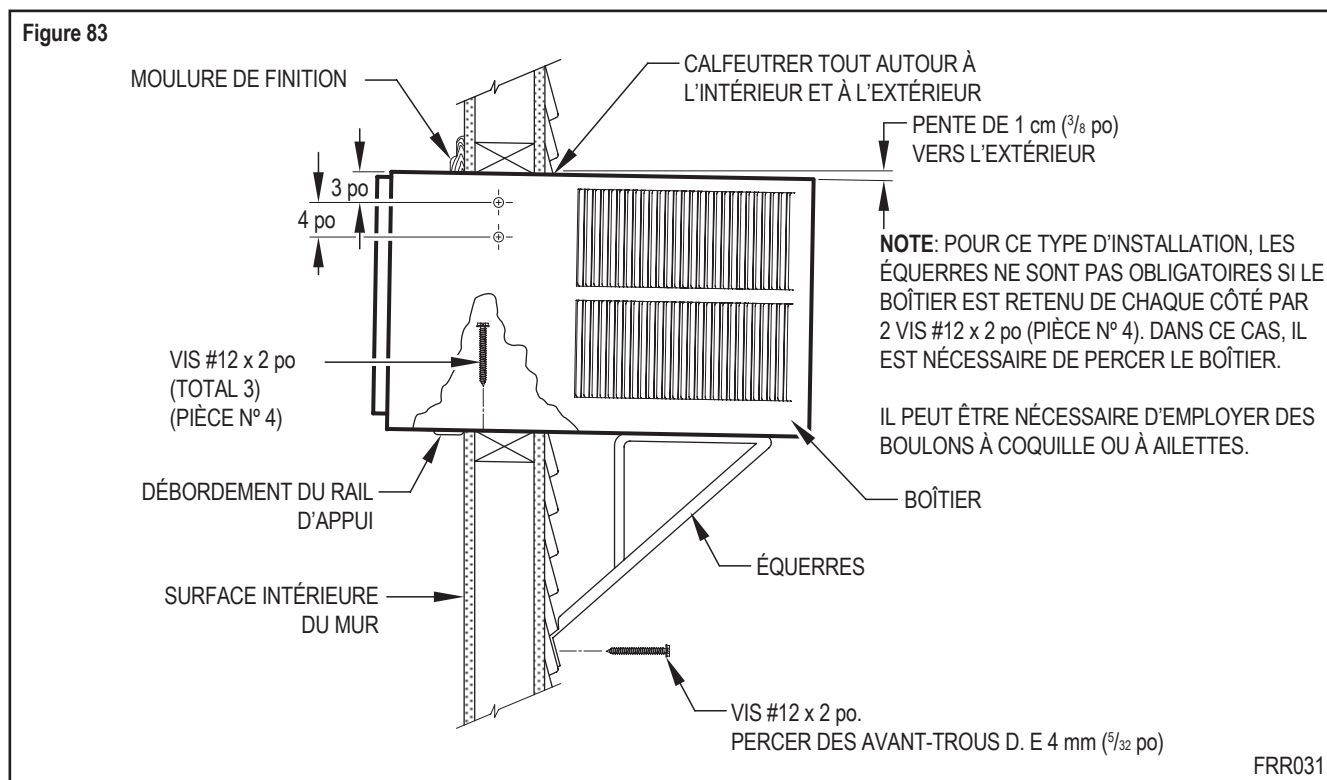
**ÉTAPE 9.** Complétez l'installation en suivant les Étapes 12 à 15 du chapitre Installation en fenêtre à guillotine (Page 35).



BOULON À COQUILLE D'EXPANSION



BOULON À AILETTES



FRR031

# Liste de vérification finale et démarrage

- ◆ Vérifier que tous les éléments et les accessoires ont été correctement installés et qu'ils n'ont pas été endommagés au cours de l'installation.
- ◆ S'assurer que le drain (ou les drains) de condensat est adéquat pour l'évacuation de l'eau et qu'il a été approuvé par l'utilisateur final.
- ◆ Vérifier que les distances de dégagement autour de l'appareil ont bien été respectées. S'assurer que le filtre à air de l'appareil et les serpentins, intérieur et extérieur, sont exempts de toute obstruction.
- ◆ Vérifier que les disjoncteurs ou les fusibles et l'ensemble du câblage fourni sont d'une puissance adéquate. Si l'appareil a été livré avec un cordon d'alimentation, s'assurer que celui-ci est positionné convenablement.
- ◆ S'assurer que l'ensemble de l'installation répond aux exigences des codes en vigueur et à toute réglementation applicable.
- ◆ Vérifier que tous les accessoires, tel que le panneau de façade, sont bien en place.
- ◆ Mettre l'appareil en marche et vérifier son bon fonctionnement dans chacun des modes.
- ◆ Expliquer au propriétaire ou à l'opérateur le fonctionnement de l'appareil et fournir les recommandations concernant l'entretien périodique.

**NOTE:** Recommandez la tenue d'un registre des opérations d'entretien et des réparations.

- ◆ Remettre au propriétaire ou à l'opérateur le manuel d'installation et d'utilisation de l'appareil et de tous les accessoires ainsi que l'adresse et le numéro de téléphone de l'entreprise de service agréée par Friedrich la plus proche.

## Cet appareil est conçu pour les saisons chaudes

Votre climatiseur est conçu pour fournir de l'air frais lorsque la température extérieure se situe entre 15,5°C (60°F) et 46°C (115°F). Par conséquent, il ne rafraîchira pas votre pièce s'il fait déjà froid à l'extérieur. Si vous désirez de l'air frais au printemps ou en automne, choisissez le mode FAN ONLY (ventilation seulement) et placez la commande Air neuf/Extraction sur Air neuf.

## La formation de condensation est normale

Les climatiseurs pompent effectivement la chaleur et l'humidité de votre pièce et l'évacuent à l'extérieur. L'humidité transformée en eau sera utilisée en grande partie par le climatiseur pour refroidir le serpentin extérieur. S'il y a un excès d'humidité, de l'eau s'écoulera vers l'extérieur. Il n'y a rien d'anormal.

## Problème de givrage

Ceci se produit généralement lorsque le débit d'air à travers les serpentins est insuffisant, lorsque le filtre est encrassé ou que le temps est froid et très humide ou pour toutes ces raisons à la fois. Réglez le mode SYSTEM sur FAN ONLY (ventilation seulement) et le problème de givrage disparaîtra. Vous pouvez éventuellement prévenir ce problème en augmentant légèrement la température au thermostat.

## Bruits de fonctionnement

Tous les climatiseurs produisent un peu de bruit. Les appareils Friedrich sont conçus pour être le plus silencieux possible. Un climatiseur monté dans un mur sera plus silencieux que s'il est monté en fenêtre. Veillez à ce que le joint d'étanchéité du boîtier (Pièce N° 14) soit correctement installé (voir Instructions d'installation).

## Les thermopompes fonctionnent différemment

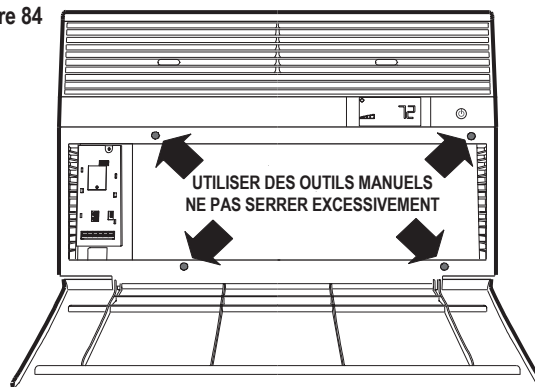
Si votre appareil comporte une thermopompe (modèle « KH »), il y a certaines choses que vous devez savoir. En mode chauffage, une thermopompe se comporte différemment:

1. Il est normal que de la glace se forme sur le serpentin extérieur. En traversant le serpentin, lorsqu'il fait très froid, l'humidité de l'air se transforme en glace.
2. Lorsque la température extérieure chute en dessous de 3°C (37°F), la thermopompe active automatiquement la résistance chauffante. Lorsque la température remonte à 4°C (40°F), le compresseur se remet en marche. Si votre appareil est un modèle 115 volts (KHS10), il est conçu pour les climats plus chaud. Par conséquent il ne comporte pas d'élément chauffant et ne produira pas suffisamment de chaleur en dessous de 3°C (37°F).

## Changement de la pile du panneau de commande

Retirez la grille en desserrant les 4 vis captives (voir Figure 84). Dans le coin supérieur gauche, retirez la vis du couvercle du logement de la pile (voir Figure 85). Remplacez la pile (CR2450). Remettez le couvercle en place. Alignez les guides de la grille puis resserrez les 4 vis captives. Avant de refermer le panneau de façade, vérifiez l'état du filtre. Nettoyez-le ou remplacez-le au besoin.

Figure 84



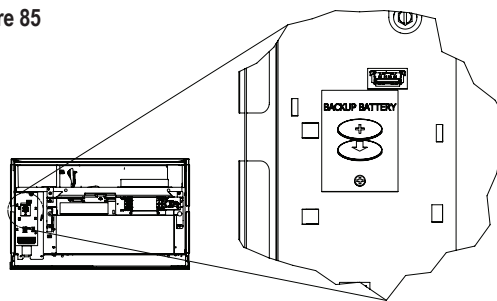
1. UTILISER DES OUTILS MANUELS POUR OUVRIR OU FERMER LE PANNEAU FRONTAL. NE PAS SERRER LES VIS EXCESSIVEMENT.



2. COUPER L'ALIMENTATION ET RESPECTER TOUS LES AVERTISSEMENTS LORSQUE LE PANNEAU EST OUVERT.

FRR010

Figure 85



## Entretien périodique

Pour que l'appareil fonctionne correctement, le filtre à air doit être nettoyé une fois par mois, mais davantage si les conditions l'exigent. Avant l'entretien du filtre, éteindre l'appareil.

### Retrait, lavage et remplacement du filtre

Abaissez le panneau de façade (voir Figure 2). Soulevez la poignée du filtre et retirez celui-ci (voir Figure 3). Nettoyez le filtre une fois par mois ou plus souvent si nécessaire. Reportez-vous au chapitre Accessoires pour les différents modèles de filtres.

### Les serpentins et le boîtier

**NOTE:** N'utilisez pas de produits caustiques pour nettoyer les serpentins ou la plaque de fond du boîtier. Utilisez des produits nettoyants et dégraissants biodégradables. Des produits agressifs peuvent détériorer l'aluminium des ailettes ou les plaques d'extrémités des serpentins.

Les serpentins et la plaque de fond du boîtier doivent être inspectés régulièrement (1 ou 2 fois par an, ou plus souvent dans des conditions extrêmes) et débarrassés de toutes saletés (charpie, poussière, feuilles, papier, etc.). Nettoyez les serpentins et la plaque de fond avec une brosse souple et de l'air comprimé ou un aspirateur. Vous pouvez également utiliser un jet d'eau sous pression. Dans ce cas, faites attention de ne pas plier les batteries d'ailettes en aluminium et opérez un mouvement de haut en bas dans le sens des ailettes.

**NOTE:** Est extrêmement important de ne pas éclabousser les parties électriques ou électroniques de l'appareil. Toutes ces pièces doivent être recouvertes pour les mettre à l'abri de l'eau.

### Panneau de façade

Pour nettoyer le panneau de commande, utilisez un chiffon humide (et non trempé) afin d'éviter toute infiltration d'eau dans l'appareil, ce qui endommagerait l'équipement électronique.

Pour nettoyer le reste du panneau de façade et le boîtier, vous pouvez utiliser de l'eau tiède et un savon liquide doux. N'employez JAMAIS de solvants ou de produits à base d'hydrocarbures tels que l'acétone, le naphte, l'essence, le benzène, etc.

Le serpentin intérieur peut être nettoyé avec un aspirateur muni d'une petite brosse. NE PAS DÉFORMER LES AILETTES. Le serpentin extérieur peut être aspergé délicatement avec un tuyau d'arrosage si vous pouvez l'atteindre. Sinon vous pouvez faire appel à votre fournisseur pour effectuer un nettoyage plus approfondi.

Vérifiez le filtre à air chaque semaine et nettoyez-le si nécessaire avec un aspirateur muni d'une petite brosse ou en le lavant dans un évier avec de l'eau tiède et un savon doux. Faites-le sécher avant de le remettre en place. Attention ! La surface du serpentin peut être coupante.

### Moteur du ventilateur et compresseur

Le moteur du ventilateur et le compresseur sont lubrifiés à vie et ne nécessitent aucune lubrification supplémentaire.

### Manchon mural

Inspectez 1 ou 2 fois par an l'intérieur du manchon et du système de drainage et nettoyez au besoin. Dans des conditions extrêmes, un nettoyage plus fréquent pourrait s'avérer nécessaire. Nettoyez ces deux éléments avec un produit antibactérien et antifongique. Rincez soigneusement à l'eau et vérifiez l'efficacité du drainage. Inspectez le calfeutrage autour du manchon et faites les corrections nécessaires.

## Dépannage et assistance

Avant de placer un appel de service, vous pouvez effectuer vous-même un diagnostic (voir Pages 46 et 47). Cette précaution pourrait vous permettre de trouver une solution à votre problème et vous éviter des frais de dépannage si ce problème ne provient pas de l'appareil lui-même. Après avoir suivi les étapes du diagnostic, si vous ne pouvez résoudre le problème, veuillez visiter notre site internet [www.friedrich.com](http://www.friedrich.com) qui vous permettra de localiser le fournisseur de services agréé le plus proche.

### Si vous avez besoin d'assistance

Vous pouvez rejoindre notre service à la clientèle au **1-800-541-6645**. Avant d'effectuer votre appel, assurez-vous d'avoir à portée de main le nom du modèle, le numéro de série et la date d'achat de votre appareil. Ces informations nous permettront de vous apporter une aide efficace.

### Nos spécialistes peuvent vous renseigner sur:

- ◆ Les caractéristiques et les fonctions de votre appareil.
- ◆ Les adresses des revendeurs et des distributeurs.
- ◆ L'utilisation adéquate de votre appareil.
- ◆ Les méthodes d'entretien recommandées.
- ◆ L'installation de l'équipement.
- ◆ Les adresses des fournisseurs de pièces et de services agréés.

## Accessoires disponibles

### Ensemble de drain DC-2 – Numéro de pièce 01900235

Dans certaines installations, l'excès de condensats par temps très humide peut entraîner des écoulements d'eau indésirables sur une terrasse ou au-dessus d'une porte d'entrée. Vous pouvez installer l'ensemble de drain DC-2 (Numéro de pièce 01900235) pour détourner l'évacuation des condensats.

### Carbon Filter Kits

Les modèles varient selon le format du boîtier (petit, moyen, grand). Chaque ensemble contient 3 filtres.

**KWCFS** – Filtres au charbon petit format.

**KWCFM** – Filtres au charbon moyen format.

**KWCFL** – Filtres au charbon grand format.

### FriedrichLink™ Adapter Accessory

**KWIFI** – FriedrichLink™ Adaptateur Accessoire pour le contrôle sans fil et des options de programmation supplémentaires.

### Kits de panneau avant de couleur décorative

Les kits varient en fonction de la taille du châssis (petit, moyen, grand).

**KWBGE(P/M/G)A** – P/M/G Couverture décorative en beige classique

**KWBLK(P/M/G)A** – P/M/G Couverture décorative en onyx noir

**KWBLU(P/M/G)A** – P/M/G Couverture décorative en bleu cobalt

**KWPNK(P/M/G)A** – P/M/G Couverture décorative en diamant rose

**KWRED(P/M/G)A** – P/M/G Couverture décorative rouge foncé

**KWWHT(P/M/G)A** – P/M/G Couverture décorative dans Designer White

### Ensembles d'installation pour fenêtre (de série sur les modèles Kühl sans chauffage)

**KWIKS** – Pour tous les modèles KES et KHS.

**KWIKM** – Pour tous les modèles KEM et KHM.

**KWIKL** – Pour tous les modèles KEL et KHL.

Pour d'autres accessoires compatibles avec votre appareil, visitez notre site internet [www.friedrich.com](http://www.friedrich.com).

# Diagnostic de dépannage

PROBLÈME	CAUSE	SOLUTION
L'appareil ne fonctionne pas.	<ul style="list-style-type: none"> <li>Appareil éteint ou aucune demande au thermostat.</li> </ul>	<ul style="list-style-type: none"> <li>Allumer l'appareil et élever le réglage de température (au besoin) afin de créer une demande.</li> </ul>
	<ul style="list-style-type: none"> <li>Cordon d'alimentation débranché.</li> </ul>	<ul style="list-style-type: none"> <li>Brancher l'appareil sur une prise murale avec mise à la terre. Pour déterminer le type de prise voir le tableau des caractéristiques électriques, Page 6.</li> </ul>
	<ul style="list-style-type: none"> <li>Protection du cordon d'alimentation déclenchée (bouton relevé).</li> </ul>	<ul style="list-style-type: none"> <li>Pour remettre en marche, enfoncer le bouton RESET (le bouton s'enclenche avec un déclic).</li> </ul>
	<ul style="list-style-type: none"> <li>Disjoncteur d'alimentation déclenché ou fusible grillé.</li> </ul>	<ul style="list-style-type: none"> <li>Réenclencher le disjoncteur ou remplacer le fusible selon le cas. Si le problème persiste, faire appel à un électricien professionnel.</li> </ul>
	<ul style="list-style-type: none"> <li>Panne de courant locale.</li> </ul>	<ul style="list-style-type: none"> <li>L'appareil se remettra en fonction lorsque le courant sera rétabli.</li> </ul>
Déclenchements du disjoncteur ou grillages du fusible.	<ul style="list-style-type: none"> <li>D'autres appareils sont branchés sur le même circuit.</li> </ul>	<ul style="list-style-type: none"> <li>L'appareil nécessite un circuit exclusif et non partagé avec d'autres appareils.</li> </ul>
	<ul style="list-style-type: none"> <li>Vous utilisez un cordon de rallonge.</li> </ul>	<ul style="list-style-type: none"> <li>Ne JAMAIS utiliser un cordon de rallonge avec un climatiseur.</li> </ul>
	<ul style="list-style-type: none"> <li>Puissance incorrecte du disjoncteur ou du fusible à retardement.</li> </ul>	<ul style="list-style-type: none"> <li>Remplacer par un disjoncteur ou un fusible à retardement de la puissance adéquate. Voir le tableau des caractéristiques électriques en Page 6. Si le problème persiste, faire appel à un électricien professionnel.</li> </ul>
Déclenchements de la protection du cordon d'alimentation (bouton relevé).	<ul style="list-style-type: none"> <li>Déclenchement de la protection du cordon d'alimentation (bouton relevé) en raison de l'instabilité du courant.</li> </ul>	<ul style="list-style-type: none"> <li>Pour remettre en marche, enfoncer le bouton RESET (le bouton s'enclenche avec un déclic).</li> </ul>
	<ul style="list-style-type: none"> <li>Déclenchement de la protection du cordon d'alimentation (bouton relevé) par suite d'une surcharge électrique, d'une surchauffe ou d'une torsion du cordon.</li> </ul>	<ul style="list-style-type: none"> <li>Lorsque le problème a été identifié et corrigé, enfoncer le bouton RESET (le bouton s'enclenche avec un déclic) pour remettre l'appareil en fonction.</li> </ul>
	<p><b>NOTE:</b> Si le cordon d'alimentation est endommagé, vous ne devez pas le réparer mais le remplacer par un cordon neuf fourni par le fabricant de l'appareil.</p>	
L'appareil ne refroidit pas ou ne réchauffe pas suffisamment la pièce, ou bien démarre et s'arrête trop fréquemment.	<ul style="list-style-type: none"> <li>La grille d'air repris/fourni est obstruée.</li> </ul>	<ul style="list-style-type: none"> <li>S'assurer que la circulation d'air repris et/ou d'air fourni n'est pas entravée par des rideaux, des stores, du mobilier, etc.</li> </ul>
	<ul style="list-style-type: none"> <li>Des fenêtres ou une porte donnant sur l'extérieur sont ouvertes.</li> </ul>	<ul style="list-style-type: none"> <li>Fermer les fenêtres ainsi que les portes donnant sur l'extérieur.</li> </ul>
	<ul style="list-style-type: none"> <li>La température de climatisation ou de chauffage n'est pas réglée assez bas ou assez haut respectivement.</li> </ul>	<ul style="list-style-type: none"> <li>Élever ou abaisser le réglage de température selon le cas.</li> </ul>
	<ul style="list-style-type: none"> <li>Filtre encrassé ou obstrué.</li> </ul>	<ul style="list-style-type: none"> <li>Nettoyer le filtre (voir Entretien périodique) ou éliminer l'obstruction.</li> </ul>
	<ul style="list-style-type: none"> <li>Serpentin intérieur ou extérieur encrassé ou obstrué.</li> </ul>	<ul style="list-style-type: none"> <li>Nettoyer les serpentins (voir Entretien périodique) ou éliminer l'obstruction.</li> </ul>
	<ul style="list-style-type: none"> <li>Chaleur ou humidité excessive dans la pièce (travaux de cuisson, douche, etc.)</li> </ul>	<ul style="list-style-type: none"> <li>Utiliser un ventilateur d'extraction pendant les travaux de cuisson, le bain ou la douche et, si possible, ne pas utiliser d'appareils produisant de la chaleur durant la période la plus chaude de la journée.</li> </ul>
	<ul style="list-style-type: none"> <li>Température excessivement élevée dans la pièce à climatiser.</li> </ul>	<ul style="list-style-type: none"> <li>Prévoir davantage de temps pour rafraîchir la pièce lorsqu'il y fait très chaud.</li> </ul>



## Diagnostic de dépannage a continué

PROBLÈME	CAUSE	SOLUTION
L'appareil ne refroidit pas ou ne réchauffe pas suffisamment la pièce, ou bien démarre et s'arrête trop fréquemment (suite).	<ul style="list-style-type: none"> <li>La température extérieure est inférieure à 16 °C (60 °F).</li> </ul>	<ul style="list-style-type: none"> <li>Ne pas faire fonctionner l'appareil en mode climatisation lorsque la température extérieure est inférieure à 16 °C (60 °F). La climatisation ne s'opérera pas correctement et cela pourrait endommager l'appareil.</li> </ul>
	<ul style="list-style-type: none"> <li>L'appareil est réglé sur la ventilation intermittente.</li> </ul>	<ul style="list-style-type: none"> <li>À ce réglage, la distribution de l'air n'est pas uniforme et l'air chaud (ou froid) stagne dans certains endroits de la pièce. Il est conseillé d'utiliser la ventilation continue pour obtenir un confort optimum.</li> </ul>
	<ul style="list-style-type: none"> <li>L'appareil n'a pas suffisamment de puissance pour compenser les gains de chaleur de la pièce.</li> </ul>	<ul style="list-style-type: none"> <li>S'assurer que la puissance frigorifique de l'appareil est suffisante pour la pièce dans laquelle il est installé. Les climatiseurs individuels ne sont pas conçus pour refroidir plusieurs pièces.</li> </ul>
	<ul style="list-style-type: none"> <li>L'appareil n'a pas suffisamment de puissance pour compenser les pertes de chaleur de la pièce.</li> </ul>	<ul style="list-style-type: none"> <li>Vérifier la puissance de chauffage de l'appareil. Le climatiseur doit être dimensionné en fonction de la charge de refroidissement, puis la puissance de chauffage est sélectionnée en fonction de la charge de chauffage. Dans les régions du grand nord, un climatiseur individuel ne pourra probablement pas être utilisé en tant que source de chauffage principale.</li> </ul>
L'appareil fonctionne trop longtemps.	<ul style="list-style-type: none"> <li>Ceci peut être attribué à une charge calorifique trop importante.</li> </ul>	<ul style="list-style-type: none"> <li>Si des appareils dans la pièce produisent de la chaleur ou si de nombreuses personnes occupent la pièce, le climatiseur devra fonctionner plus longtemps pour éliminer la chaleur.</li> </ul>
	<ul style="list-style-type: none"> <li>Le dimensionnement de l'appareil pourrait être erroné.</li> </ul>	<ul style="list-style-type: none"> <li>Utiliser un ventilateur d'extraction pendant les travaux de cuisson, le bain ou la douche et, si possible, ne pas utiliser d'appareils produisant de la chaleur durant la période la plus chaude de la journée.</li> </ul>
	<ul style="list-style-type: none"> <li>Ceci peut être normal avec un climatiseur d'un rendement énergétique (EER) supérieur.</li> </ul>	<ul style="list-style-type: none"> <li>L'efficacité supérieure de certains éléments de votre nouveau climatiseur peut impliquer des cycles de fonctionnement plus longs. La différence vous paraîtra plus évidente si cet appareil remplace un ancien modèle moins efficace. Toutefois, la consommation d'énergie sera nettement moins importante que celle d'un ancien modèle.</li> </ul>
	<ul style="list-style-type: none"> <li>L'air distribué par votre climatiseur peut vous sembler moins froid qu'avec votre ancien modèle. Toutefois, cela ne signifie pas que la puissance de refroidissement de l'appareil soit moins importante.</li> </ul>	<ul style="list-style-type: none"> <li>Le rendement énergétique (EER) et la puissance de refroidissement nominale (Btu/h) qui figurent sur la plaque signalétique de l'appareil ont été homologués par les organismes officiels.</li> </ul>



# FRIEDRICH

**Friedrich Air Conditioning Company**  
10001 Reunion Place, Suite 500  
San Antonio, TX 78216

**1-800-541-6645**  
**www.friedrich.com**

**GARANTIE LIMITÉE**  
**CLIMATISEURS INDIVIDUELS**

## PREMIÈRE ANNÉE

**TOUTE PARTIE:** Si, dans les 12 mois suivant la date d'achat initial, une pièce fournie par FRIEDRICH devenait défectueuse en raison d'un défaut de fabrication ou de matériau, FRIEDRICH réparera le produit gratuitement, dans la mesure où le climatiseur est raisonnablement accessible pour la réparation. Tous les frais de main d'oeuvre additionnels pour la dépose d'un appareil difficilement accessible et/ou les frais de déplacement (kilométrage) encourus par le réparateur, au delà de 40 km (25 miles) dans une seule direction, sont la responsabilité du propriétaire. Cette compensation est reconnue comme étant la seule compensation offerte dans les 12 mois qui suivent la date d'achat initial.

## DEUXIÈME À CINQUIÈME ANNÉE

**SYSTÈME FRIGORIFIQUE HERMÉTIQUE:** Si le système frigorifique hermétique (comprenant, aux termes de cette garantie, le compresseur, le serpentin de condenseur, le serpentin d'évaporateur, le robinet d'inversion, le clapet anti-retour, le tube capillaire, le déshydrateur-filtre et toute la tuyauterie interconnectée) intégré par FRIEDRICH à votre climatiseur devenait défectueux en raison d'un défaut de fabrication ou de matériau dans les 60 mois à compter de la date d'achat initial, FRIEDRICH allouera un dédommagement pour les frais de main d'oeuvre et les pièces nécessaires à la réparation du système frigorifique hermétique. FRIEDRICH ne prendra pas en charge les frais de diagnostic, de dépose et de transport du climatiseur jusqu'au centre de réparation et retour, ni les frais de réinstallation consécutifs à la réparation. Tous ces frais sont à la charge du propriétaire. Ce dédommagement est reconnu comme étant la seule compensation offerte dans les 60 mois qui suivent la date d'achat initial.

**CONDITIONS D'APPLICATION ET RESTRICTIONS:** Cette garantie s'applique exclusivement aux appareils vendus au détail aux États-Unis, dans le District de Columbia et au Canada. Cette garantie ne s'applique pas:

1. Aux filtres à air ni aux fusibles.
2. Aux produits dont le numéro de modèle et le numéro de série ont été enlevés.
3. Aux produits dont la défaillance ou les dommages résultent d'une mauvaise installation, d'un mauvais câblage, d'une tension d'alimentation inadaptée ou d'un mauvais entretien; ni lorsqu'ils sont causés par un accident, une utilisation erronée ou abusive, un incendie, une inondation, une modification et/ou une erreur d'application du produit. La garantie ne s'applique pas non plus aux appareils installés dans une atmosphère corrosive, ni aux problèmes ou délais d'utilisation résultant d'actes de guerre, de restrictions ou de contraintes gouvernementales, de grèves, de pénuries de matériau indépendantes du contrôle de FRIEDRICH, ou de catastrophes naturelles.

**EXÉCUTION DE LA GARANTIE:** Les réparations seront effectuées par un revendeur ou un centre de réparation agréés par FRIEDRICH et situés dans votre région. Leurs coordonnées se trouvent dans les Pages Jaunes. Si vous avez besoin d'assistance pour obtenir une réparation sous garantie, écrivez à Room Air Conditioner Service Manager, Friedrich Air Conditioning Co.

**EXCLUSIONS - CETTE GARANTIE EST OFFERTE À L'EXCLUSION DE TOUTE AUTRE GARANTIE.** Nonobstant les clauses cette garantie, TOUTE GARANTIE IMPLICITE DE CONFORMITÉ POUR UN USAGE PARTICULIER ET/OU DE QUALITÉ MARCHANDE SERA LIMITÉE À LA DURÉE DE LA PRÉSENTE GARANTIE EXPRESSE. LE FABRICANT DÉCLINE ET EXCLUT FORMELLEMENT TOUTE RESPONSABILITÉ POUR LES DOMMAGES ET PRÉJUDICES INDIRECTS RELATIFS À L'INEXÉCUTION DE TOUTE GARANTIE EXPRESSE OU IMPLICITE.

**REMARQUE:** Certaines provinces n'autorisent pas de restriction sur la durée d'une garantie implicite ou n'autorisent pas de restriction ni d'exclusion des dommages ou préjudices indirects. Il est donc possible que ces exclusions et restrictions ne s'appliquent pas à vous.

**AUTRE:** Cette garantie vous accorde des recours légaux spécifiques mais il est possible que vous bénéficiiez d'autres droits selon votre province.

**PREUVE D'ACHAT:** Pour bénéficier des services offerts par la présente garantie, l'acquéreur devra fournir une preuve d'achat.

Tous les appels de service relatifs au fonctionnement de ce produit sont à la charge du consommateur.

Toute réparation sous garantie doit être effectuée par un centre de service agréé par FRIEDRICH, sauf autorisation expresse de FRIEDRICH au préalable.





# Châssis Standard Kühl®

## Test de performance Installation et méthode de test

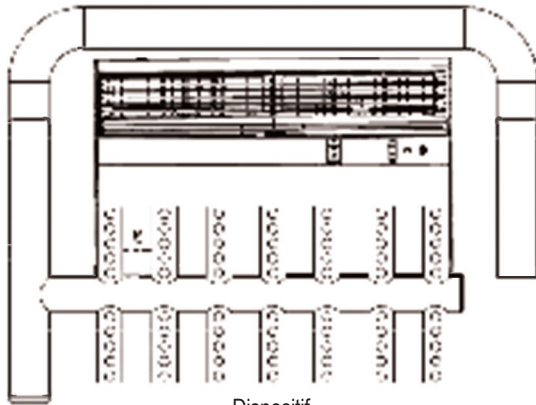
Les instructions suivantes s'appliquent uniquement aux procédures de test de laboratoire et non à l'installation et au fonctionnement réels du produit.

Norme ANSI / ASHRAE 16-1983 (RA 2009) La méthode de test de la climatisation des climatiseurs individuels et des conditionneurs d'air conditionnés doit être respectée lors de la vérification de la capacité de refroidissement et de la qualité du débit d'air permettant d'évaluer ce climatiseur individuel.

La capacité de refroidissement maximale doit être atteinte conformément aux instructions suivantes:

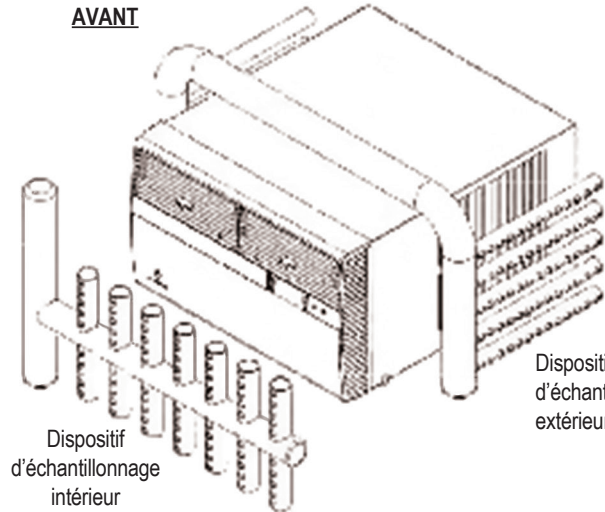
Pour une capacité et une efficacité maximales, l'air doit être échantillonné à une distance de 4 à 6 pouces de l'entrée de l'appareil. Voir les images ci-dessous:

### AVANT



Dispositif d'échantillonnage intérieur

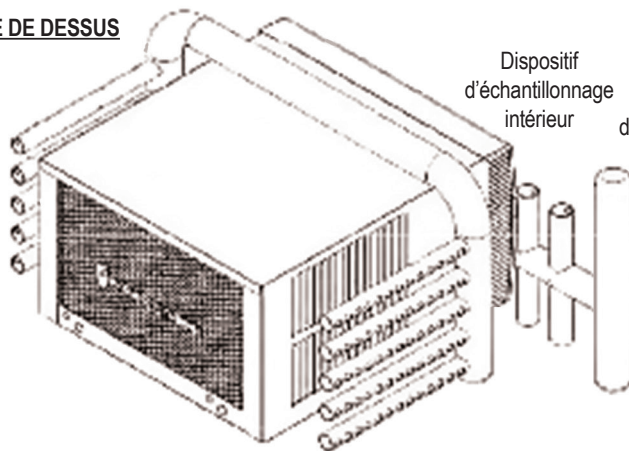
### AVANT



Dispositif d'échantillonnage intérieur

Dispositif d'échantillonnage extérieur

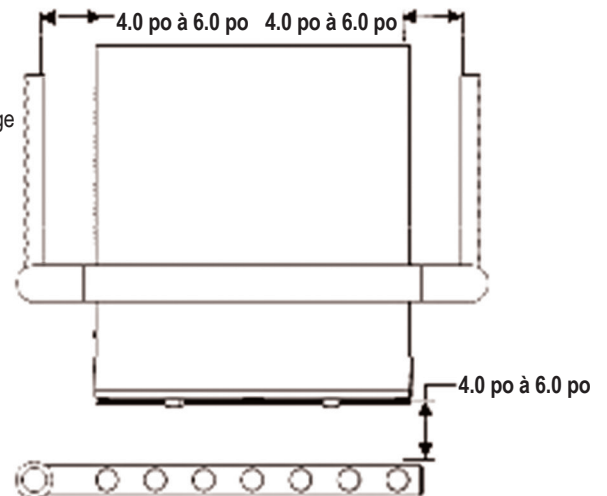
### VUE DE DESSUS



Dispositif d'échantillonnage intérieur

Dispositif d'échantillonnage extérieur

### HAUT



Dispositif d'échantillonnage extérieur

Les dispositifs d'échantillonnage de l'air intérieur et extérieur doivent être conformes à:  
 ASHRAE 41.1-1986 (RA 2006) - Méthode de mesure de la température  
 ASHRAE 41.6-1994 (RA 2006) - Méthode de mesure des propriétés de l'air humide  
**NOTE:** Les images de l'échantillonneur sont destinées à l'affichage et non à l'échelle



## Châssis Standard Kühl®

### Test de performance Installation et méthode de test *a continué*

#### Installation de l'unité de test

Conformément à la section 4.2.2 de la norme ANSI/ASHRAE 16-1983 (RA 2009), ce climatiseur doit être installé conformément aux instructions spécifiées dans le présent manuel d'installation et d'utilisation.

#### Paramètres de l'unité de test

##### **Position du volet:**

- Les persiennes doivent être maintenues dans la position en retrait (non déployées)
- Les persiennes doivent être centrées (non orientées à gauche ou à droite) et dirigées vers le haut

##### **Vitesse du ventilateur:**

- Le ventilateur doit être réglé à la vitesse la plus élevée
  - HAUTE

##### **Opération Système:**

- L'unité fonctionnera en mode « froid »

---

**CETTE PAGE EST LAISSÉE VIDE INTENTIONNELLEMENT**



Friedrich Air Conditioning Co.  
10001 Reunion Place, Suite 500 • San Antonio, Texas 78216  
1-800-541-6645  
[www.friedrich.com](http://www.friedrich.com)

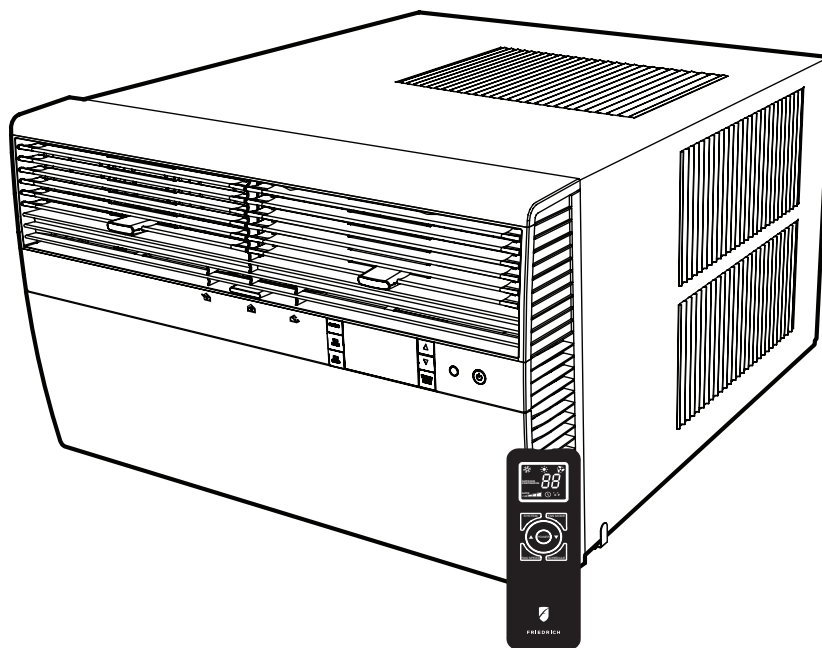
Imprimé au Mexique

93001015\_00



# FRIEDRICH

## Aires Acondicionadores para Habitación



### Modelos de Chasis Estándar

**Kühl**

115-Volt: KCS08, KCS10, KCS12, KCS14  
230-Volt: KCS12, KCS16, KCM18, KCM21, KCM24  
KCL22, KCL24, KCL28, KCL36

**Kühl +**

*Calor Eléctrico*

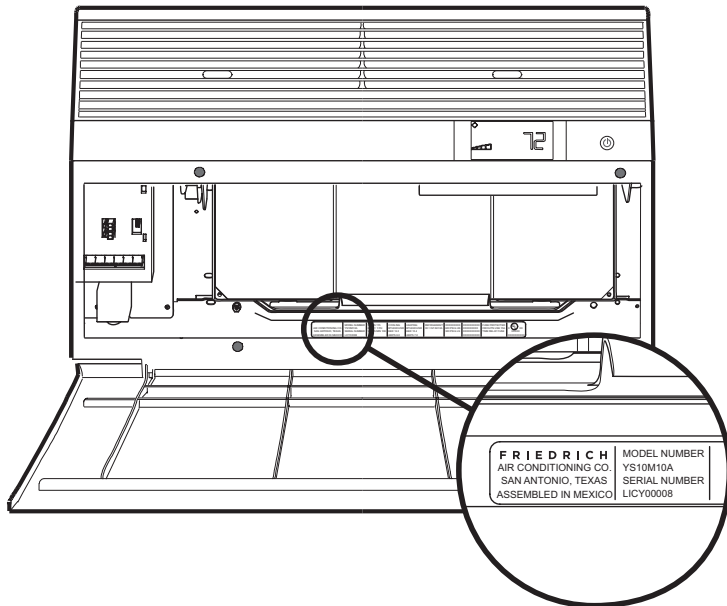
115-Volt: KHS10  
230-Volt: KES12, KES16, KH12, KEM18  
KHM18, KHM24, KEL36, KHL24

**Kühl +**

*Bomba de Calor*

Gracias por su decisión de comprar el Aire Acondicionado Friedrich de Alta Eficiencia. Su nuevo Friedrich ha sido cuidadosamente diseñado y fabricado para darle muchos años de funcionamiento confiable y eficiente, manteniendo una temperatura confortable y nivel de humedad. Muchas características adicionales han sido incorporadas en su unidad para asegurar un funcionamiento silencioso, la mayor circulación de aire fresco y seco, y la operación más económica.

## GRACIAS, en nombre de toda nuestra empresa, por hacer una compra tan sabia.



### Registre su aire acondicionado

La información del modelo se puede encontrar en la placa de identificación detrás de la tapa frontal.

Por favor, complete y envíe por correo la tarjeta de registro del propietario proporcionada con este producto o regístrese en línea en [www.friedrich.com](http://www.friedrich.com).

Para su futura comodidad, registre la información del modelo aquí.

\_\_\_\_\_  
NÚMERO DE MODELO

\_\_\_\_\_  
NÚMERO DE SERIE

\_\_\_\_\_  
FECHA DE COMPRA


---

# Tabla de Contenidos

Precauciones de Seguridad .....	4
Instrucciones de Desembalaje .....	5
ADVERTENCIA: Antes de Operar su Unidad .....	6
Instrucciones de Limpieza / Instalación de Filtros Estándar .....	7
Instrucciones de Instalación Premium de Filtro de Carbono .....	8
Funcionamiento del Panel de Control .....	9
Nuevas Opciones del Control Kühl .....	22
Instrucciones de Configuración de Wi-Fi .....	23
Instrucciones de Funcionamiento del Panel de Control .....	24
Funcionamiento del Control Remoto .....	25
Eficacia a Distancia .....	25
Selección y Ajuste del Flujo de Aire .....	26
Instrucciones de Instalación .....	27
Artículos Requeridos Para la Instalación (proporcionados en las unidades de enfriamiento directo únicamente) .....	28
Instalación de Ventana Estándar .....	29
Cambio de Ruta del Cables .....	38
Instalación en la Pared .....	40
Lista de Verificación de Inspección Final y Puesta en Marcha .....	44
Mantenimiento de Rutina .....	45
Servicio y Asistencia .....	45
Accesorios Disponibles .....	45
Consejos Para Solucionar Problemas .....	46
Garantía .....	48
Anexo al Método de Instalación de Rendimiento y Prueba .....	49


# Precauciones de Seguridad

**Su seguridad y la seguridad de los demás son muy importantes.**




Hemos proporcionado muchos mensajes de seguridad importantes en este manual y en su electrodoméstico. Siempre lea y obedezca todos los mensajes de seguridad.


Este es un símbolo de alerta de seguridad.  
Este símbolo le advierte de los peligros potenciales que pueden matar o lastimar a usted y a los demás.

 **ADVERTENCIA**

Todos los mensajes de seguridad le seguirán al símbolo de alerta de seguridad con la palabra "ADVERTENCIA" o "PRECAUCIÓN". Estas palabras significan:

 **PRECAUCIÓN**

Indica un peligro que, de no evitarse, puede resultar en lesiones personales graves o en la muerte y en daños al producto u otros bienes.

 **AVISO**

Indica un peligro que, de no evitarse, puede resultar en lesiones personales y en daños al producto u otros bienes.

Todos los mensajes de seguridad le dirán cuál es el peligro potencial, le dirán cómo reducir el riesgo de lesiones, y le dirán lo que sucederá si no se siguen las instrucciones.

Indica que le pueden ocurrir daños a los bienes si no se siguen las instrucciones.

 **ADVERTENCIA**






**Sistema de refrigeración a alta presión**

No perforar, calentar, exponer a las llamas o incinerar.  
Únicamente los técnicos certificados en refrigeración deben reparar este equipo.

Los sistemas R410A funcionan a presiones más altas que el equipo R22. Se deben utilizar prácticas adecuadas de servicio y manejo seguro.

Únicamente utilice los medidores de presión diseñados para su uso con R410A. No utilice los medidores de presión estándar R22.

<b>PENSAR</b>	 <b>WARNING</b>	 <b>AVERTISSEMENT</b>	 <b>ADVERTENCIA</b>
<b>SEGURIDAD PRIMERO</b>	Do not remove, disable or bypass this unit's safety devices. Doing so may cause fire, injury, or death.	Ne pas supprime, désactiver ou contourner cette l'unité des dispositifs de sécurité, faire vous risqueriez de provoquer le feu, les blessures ou la mort.	No eliminar, desactivar o pasar por alto los dispositivos de seguridad de la unidad. Si lo hace podría producirse fuego, lesiones o muerte.



# Instrucciones de Desembalaje

**PASO 1.** Cortar todas cintas del empaquetado.

**PASO 2.** Retire los separadores de madera de la barra de envío.

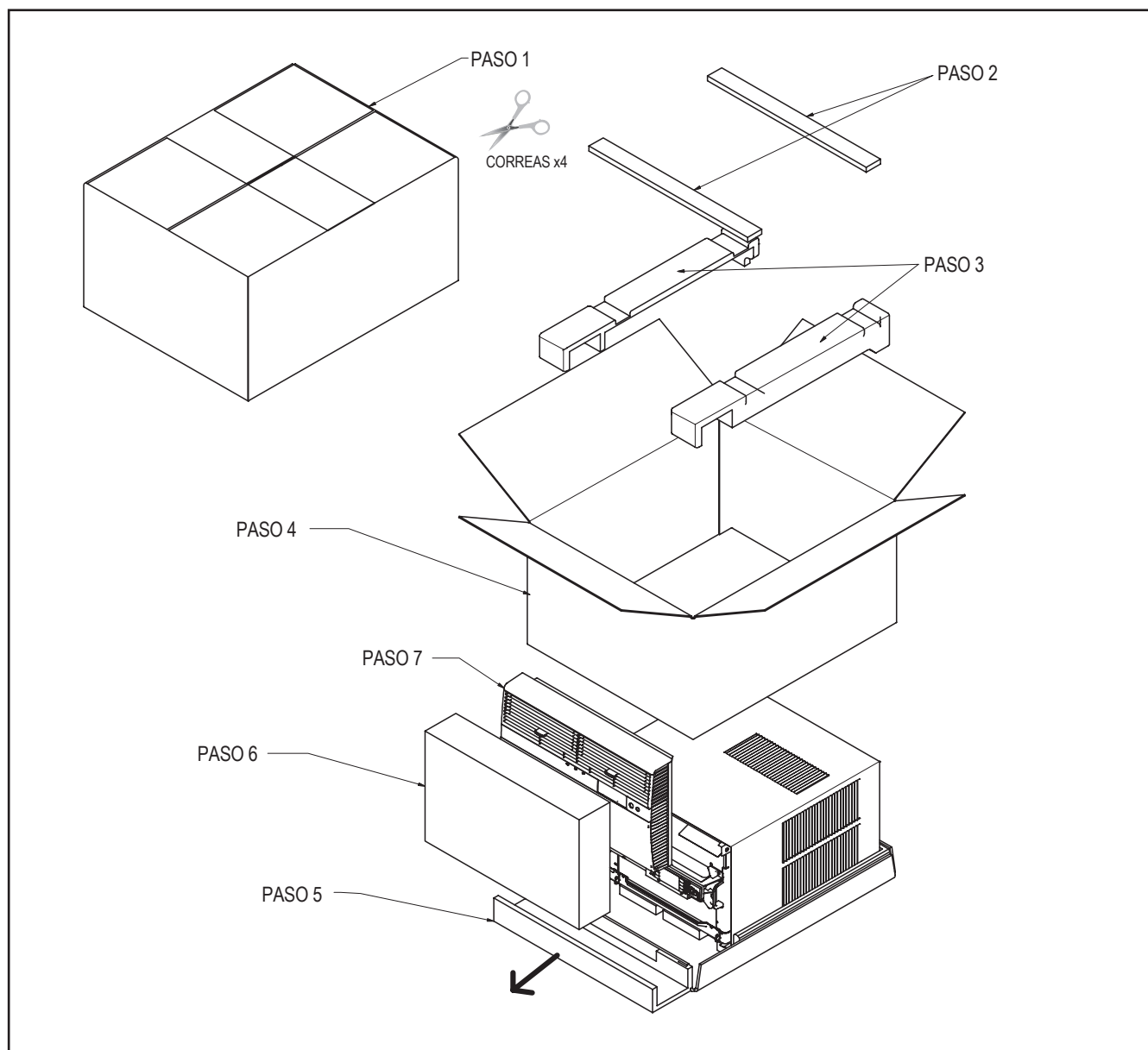
**PASO 3.** Retire las almohadillas de espuma superiores.

**PASO 4.** Retire lentamente la caja exterior, con cuidado de no aflojar el frente decorativo.

**PASO 5.** Desliza el frente hacia adelante.


**PASO 6.** Levante con cuidado la caja frontal decorativa del soporte frontal de espuma.

**PASO 7.** Retire el frente decorativo y déjelo a un lado.



# ADVERTENCIA: Antes de Operar Su Unidad

**⚠ ADVERTENCIA**



**Peligro de choque eléctrico**

Asegúrese de que su enchufe tenga la misma configuración eléctrica que el acondicionador de aire. Si es diferente, consulte a un electricista autorizado.

No utilice adaptadores de enchufe.  
No utilice un cable de extensión.  
No quite la clavija de tierra.

Siempre conecte a un enchufe de tres clavijas. El no cumplir con estas instrucciones se puede ocasionar la muerte, un incendio o un choque eléctrico.

## Asegúrese de que el cableado sea adecuado para su unidad.

Si tiene fusibles, deben ser del tipo de retardo. Antes de instalar o trasladar esta unidad, asegúrese de que el amperaje del interruptor o el fusible de retardo no superen el amperaje en el Cuadro 1.

## NO utilice un cable de extensión.

El cable proporcionado le suministrará la cantidad de energía eléctrica adecuada a la unidad; puede que un cable de extensión no.

## Asegúrese de que la toma de corriente sea compatible con el enchufe del aire acondicionado proporcionado.

Esto garantiza una conexión a tierra adecuada. Si usted tiene una toma de corriente de dos clavijas, tendrá que solicitar que un electricista certificado se lo sustituya por una toma de corriente conectada a tierra. La toma de corriente conectada a tierra debe cumplir con todos los códigos y reglamentos locales y nacionales. Bajo ninguna circunstancia se deberá quitar la clavija de tierra del enchufe. Debe utilizar el enchufe de tres clavijas suministrado con el aire acondicionado.

## Prueba el cable de alimentación.

Todos los acondicionadores de aire habitación de Friedrich se envían desde la fábrica con un cable de alimentación equipado con un Interruptor de detección de fugas (LCDI). El aparato de LCDI en la punta del cable cumple con los requisitos de UL y NEC para los aires acondicionados con la conexión de cable.

Para probar el cable de alimentación:

1. Enchufe el cable de alimentación a un enchufe de tierra de tres clavijas.
2. Presione RESET (consulte la Figura 1).
3. Presione TEST, escuche el clic; el botón de RESET se sale.
4. Presione y suelte RESET (Escuche clic; el botón de RESET se mantiene para adentro). El cable de alimentación está listo para su uso.

**AVISO**





No utilice el aparato de LCDI como un interruptor ON / OFF (encender/apagar).

Se puede causar mal funcionamiento prematuro del equipo si no sigue esta precaución.

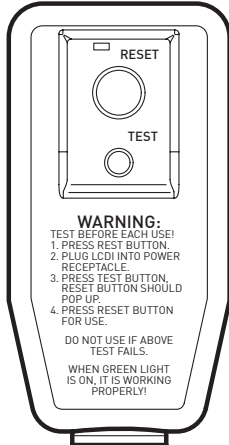
La unidad funcionará normalmente ya que esté conectado, sin necesidad de reiniciar el aparato LCDI. Si el aparato de LCDI no dispara durante la prueba o si el cable de alimentación está dañado, se debe reemplazar con un nuevo cable de alimentación del fabricante.

Contacta nuestra Asistencia Técnica al (800) 541-6645. Para facilitar el servicio, por favor tenga su número de serie.

**Tabla 1**

MODELO	POTENCIA DEL CIRCUITO O FUSIBLE DE RETARDO POR		RECEPTÁCULO DE PARED REQUERIDO	
	AMP	VOLT	NEMA NO.	
KCS08, KCS10 KCS12, KCS14 KHS10	15	125	5-15R	
KCS12, KCS16 KCM18, KCM21 KCL22	15	250	6-15R	
KCM24, KCL28 KES12, KES16 KHS12, KCL24	20	250	6-20R	
KCL36, KEM18 KEM24, KEL36 KHM18, KHL24	30	250	6-30R	

**Figura 1**



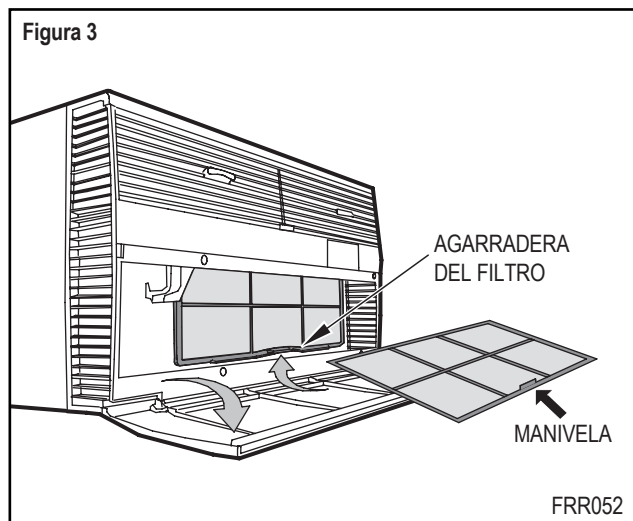
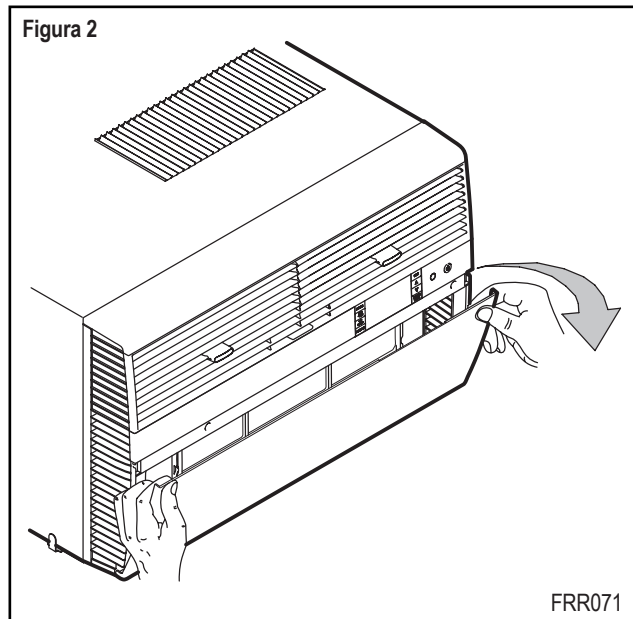
**WARNING:**  
TEST BEFORE EACH USE!  
1. PRESS RESET BUTTON.  
2. PLUG LCDI INTO POWER RECEPTACLE.  
3. PRESS TEST BUTTON. RESET BUTTON SHOULD POP UP.  
4. PRESS RESET BUTTON FOR USE.

DO NOT USE IF ABOVE TEST FAILS.  
WHEN GREEN LIGHT IS ON, IT IS WORKING PROPERLY!

FRR072

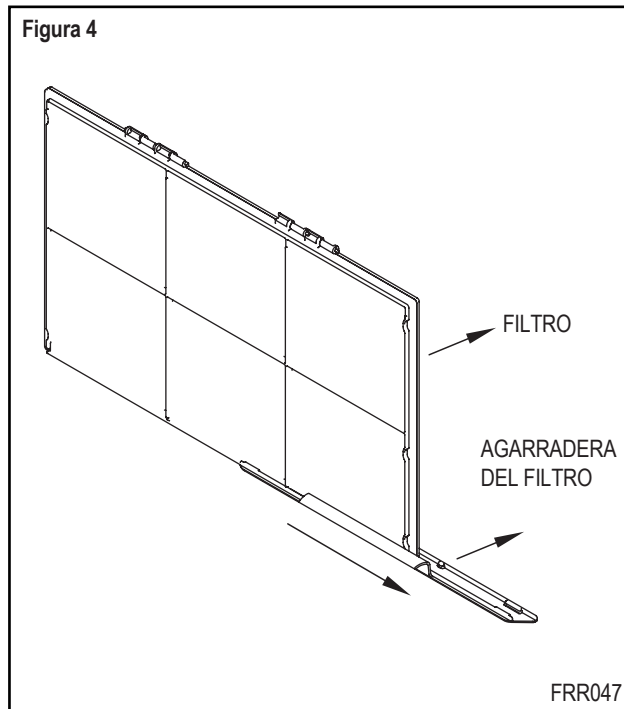
# Instrucciones de Limpieza / Instalación de Filtros Estándar

**PASO 1.** Abra la puerta, agarre el filtro firmemente y empuje el detentor del filtro hacia arriba y hacia afuera para remover.

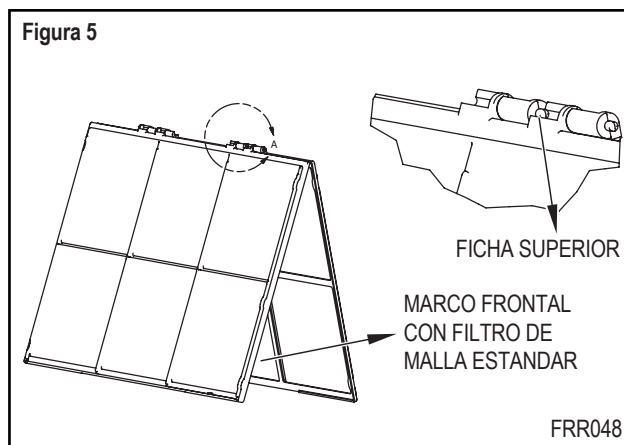


**PASO 2.** Deslice la agarradera del filtro como se muestra en la Figura 4.

**AVISO:** Asegúrese que el marco frontal con el filtro de malla esté hacia usted.



**PASO 3.** Abra el marco frontal. Elimine la tierra del filtro para limpiar el marco. Utilice un jabón suave si es necesario. Permita que se seque el filtro.



**PASO 4.** Deslice la agarradera del filtro en el filtro para reinstalarla.

**AVISO:** La agarradera del filtro solo se puede meter al marco en una dirección. Si la ficha del marco no permite que se meta, deslice la agarradera hacia la otra dirección. No debe de forzar la agarradera en el marco.

**PASO 5.** Reinstale el filtro en la unidad. Siga las instrucciones en la parte interior de la puerta frontal.

# Instrucciones de instalación Premium de Filtro de Carbono

**PASO 1.** Siga las instrucciones de la parte interior de la puerta del filtro para quitar el filtro de la unidad.

**PASO 2.** Agarre el filtro de la parte superior y deslice la agarradera hacia afuera como se muestra en la Figura 4.

**PASO 3.** Acueste el filtro y abra la puerta del marco delantero para quitar el filtro sucio, si usted ya tiene instalado un filtro de carbón, como se muestra en la Figura 6.

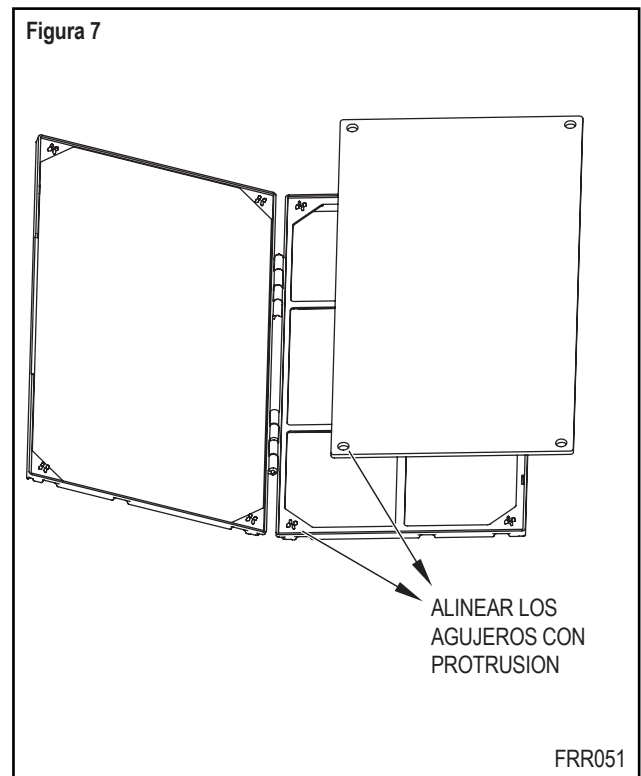
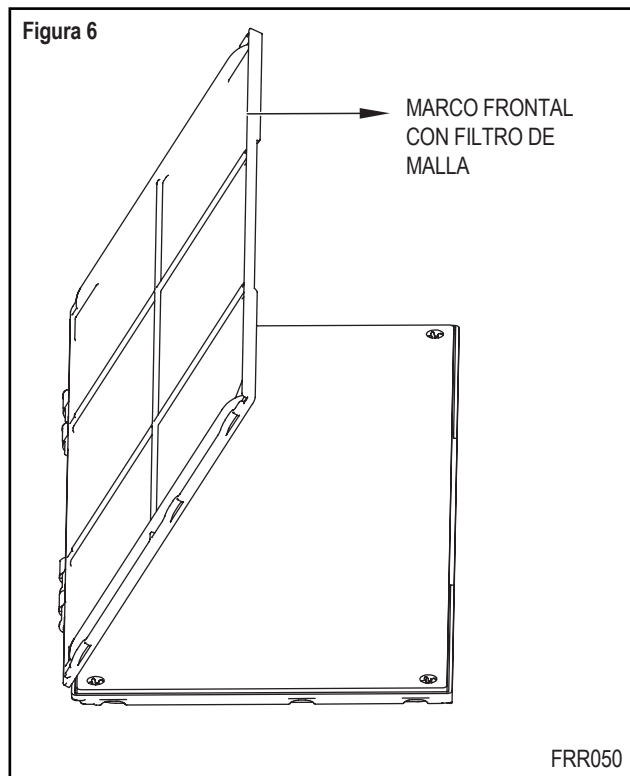
**AVISO:** Asegúrese que el marco con la malla esté hacia usted.

**PASO 4.** Coloque el nuevo filtro de carbón en la parte superior del marco del filtro trasero. El filtro de carbón se ha cortado a las dimensiones correctas y debe encajarse con el marco como se muestra en la figura 7.

**AVISO:** El filtro de carbón no se debe reutilizar, se debe reemplazar cada tres meses para la eficiencia óptima.

**PASO 5.** Coloque de nuevo la agarradera del filtro al filtro, para que se mantengan juntos los marcos, y meta el ensamblado a la unidad. Siga las instrucciones en la puerta.

**AVISO:** La agarradera del filtro solo se puede meter al marco en una dirección. Si la ficha del marco no permite que se meta, deslice la agarradera hacia la otra dirección. **NO DEBE DE FORZAR LA AGARRADERA EN EL MARCO.**



# Funcionamiento del Panel de Control

En la Figura 8 se pueden ver todos los botones de función y los iconos de modo del panel de control.

**Encendido** – Presione el botón para encender el aire acondicionado. El botón de encendido se ilumina para indicar que la unidad está encendida. La luz de fondo del interruptor de encendido se apagará automáticamente luego de 20 segundos de inactividad. El control remoto también se puede utilizar para encender y apagar la unidad (consulte Control remoto).

**Pantalla** – La pantalla es de cristal líquido (LCD) de alta eficiencia con retroiluminación incorporada. Luego de 20 segundos de inactividad, la pantalla se apaga. La pantalla recupera automáticamente su brillo total cuando se toca cualquier botón.

Hay tres botones de comando de control en cada lado de la pantalla.

Figura 8

**SISTEMA**

Ciclos entre automático, calefacción, refrigeración o solo ventilador (si se suministra)

**MODO DE VENTILADOR**

Configura el ventilador en:  
- Ciclo automático  
- Ejecución continua

**VELOCIDAD DEL VENTILADOR**

Configura la velocidad en:  
Baja, media, alta o automática (si se suministra)

**TEMPERATURA**  
Sube en incrementos

**TEMPERATURA**  
Baja en incrementos

**TEMPORIZADOR**  
Enciende o apaga la unidad

**VENTANA IR**  
No bloquear

**ENCENDIDO Y APAGADO**  
Enciende y apaga la unidad

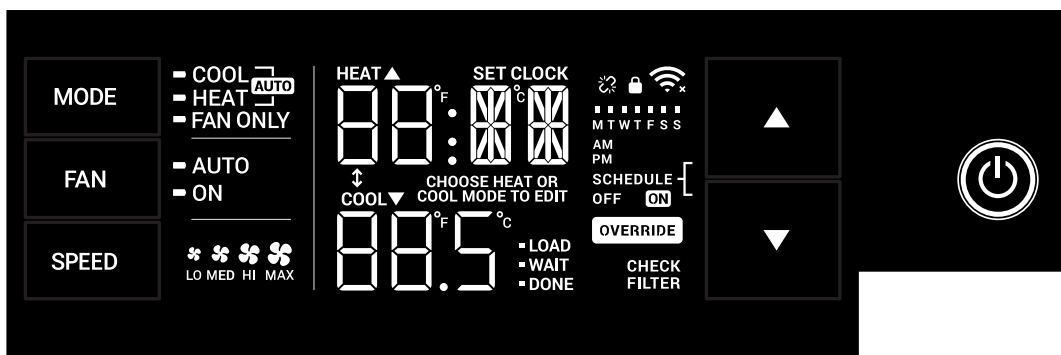
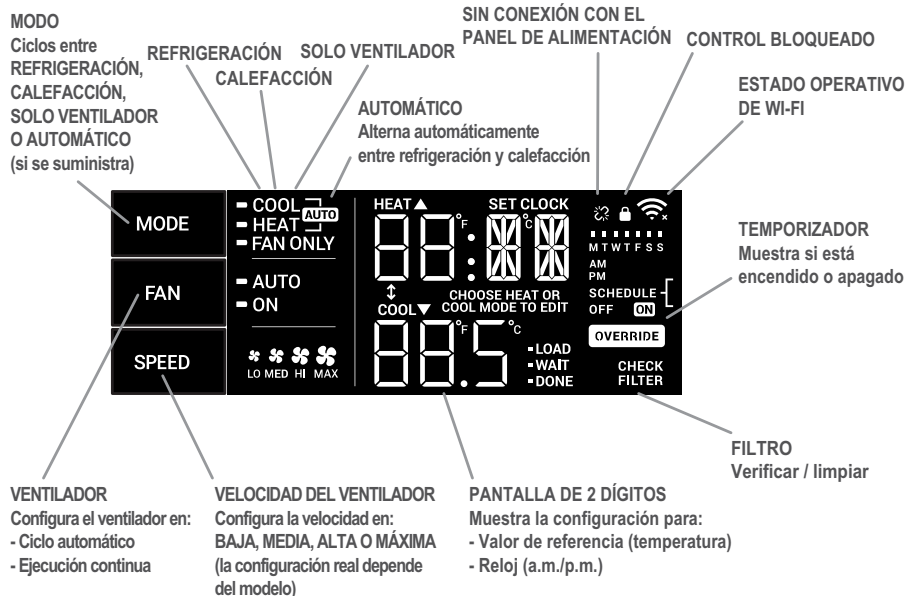


Figura 9



# Funcionamiento del Panel de Control

## Acceso a los submenús

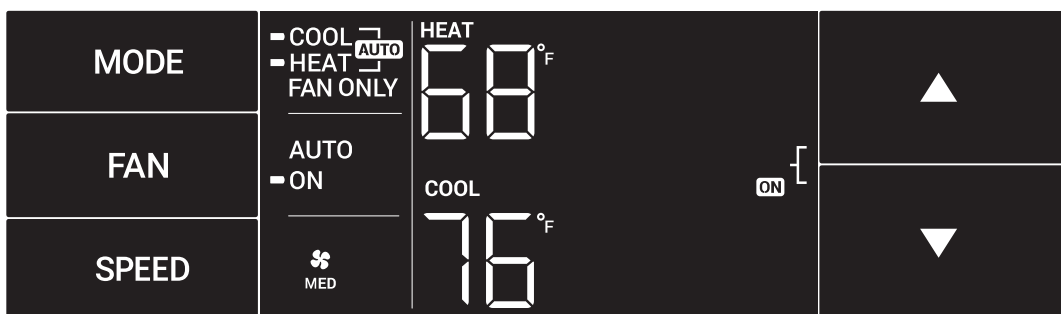
El botón MENU más a la izquierda accede al submenú. Consulte la Figura 10.

Los botones de flecha permiten navegar por las 6 opciones de menú (consulte la Figura 11):

- LIM
- TM
- F-C
- LOCK
- CnCT
- diAG

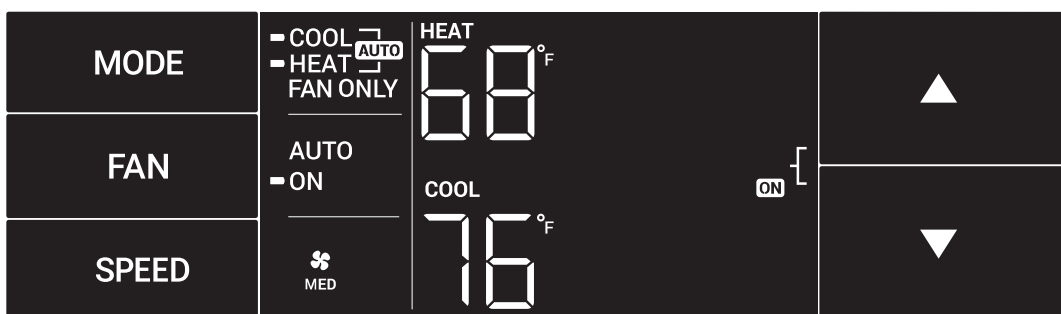
El botón más a la derecha permite salir del menú. Consulte la Figura 12.

Figura 10



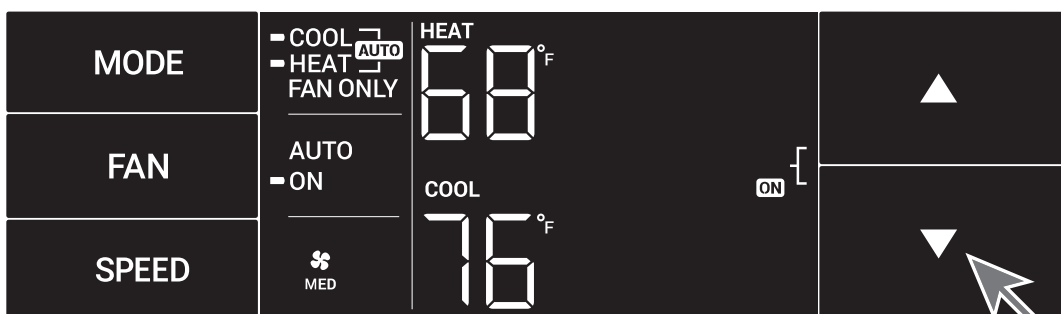
MENU

Figura 11



MENU

Figura 12



MENU

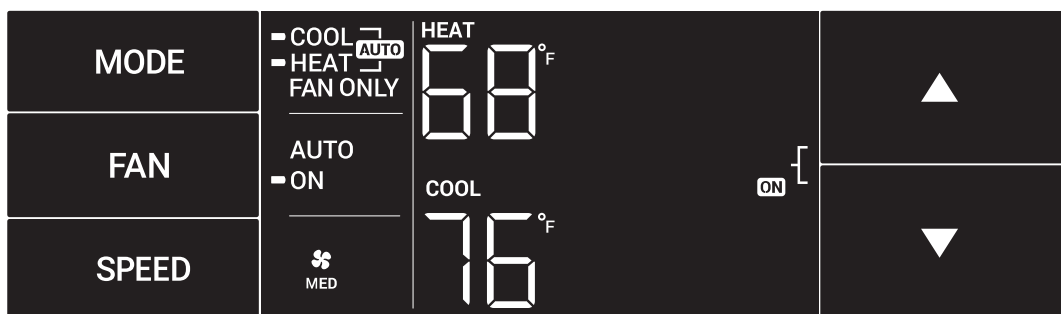
# Funcionamiento del Panel de Control

## Navegación dentro de los submenús

El botón MENU más a la izquierda le permite moverse hacia adelante en el submenú. Consulte la Figura 13.

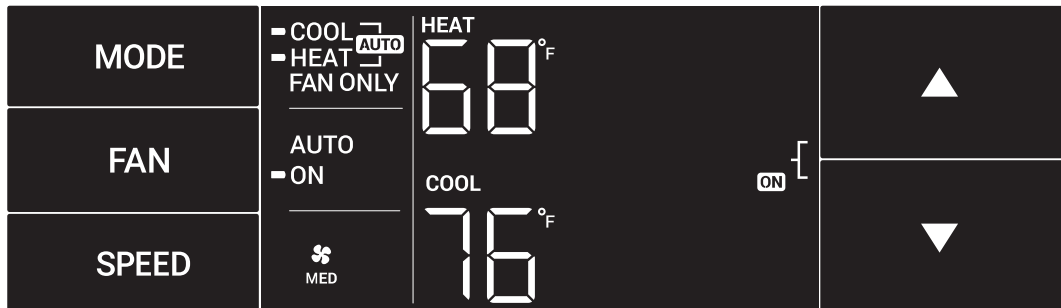
El botón más a la derecha le permite moverse hacia atrás una vez dentro de los menús LIM y TM. Consulte la Figura 14.

Figura 13



MENU

Figura 14



MENU

# Funcionamiento del Panel de Control

## El menú LIM

Este es el menú de límites. Consulte la Figura 15.

Una vez que se ingresa en el menú, la primera opción será configurar el límite de valor de referencia inferior con los botones de flecha. Consulte la Figura 16.

Luego podrá configurar el límite de valor de referencia superior con los botones de flecha. Consulte la Figura 17.

Cuando presiona el botón más a la izquierda, se completa la configuración de los límites. Consulte la Figura 18.

Figura 15



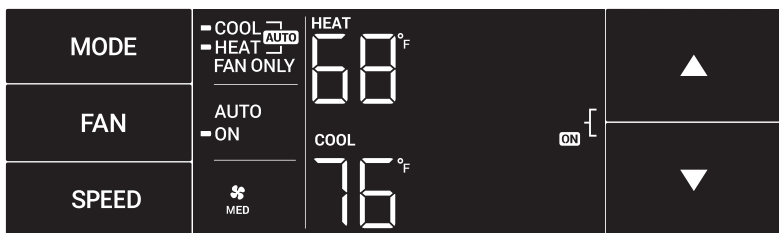
MENU ● ●

Figura 16



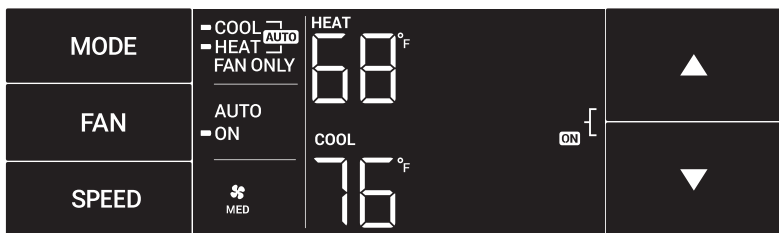
MENU ● ●

Figura 17



MENU ● ●

Figura 18



→ MENU ● ●



# Funcionamiento del Panel de Control

## El menú TM

Este es el menú TM que se utiliza para configurar un temporizador. Consulte la Figura 19.

En el menú, configure la hora actual con los botones de flecha. Consulte la Figura 20. (Nota: Estos dos pasos para configurar el reloj se omiten si la unidad ya está conectada a Wi-Fi.)

Primero, configure la hora.

Utilice el botón más a la izquierda para pasar a los minutos y completar la configuración de la hora. Consulte la Figura 21.

Seleccione el modo: ya sea refrigeración, calefacción o automático. Alternar entre los modos con los botones de flecha. Consulte la Figura 22. (Nota: Este paso se omite en los modelos de solo refrigeración).

El proceso es el mismo para los tres modos. El modo automático se mostrará como ejemplo.

Figura 19



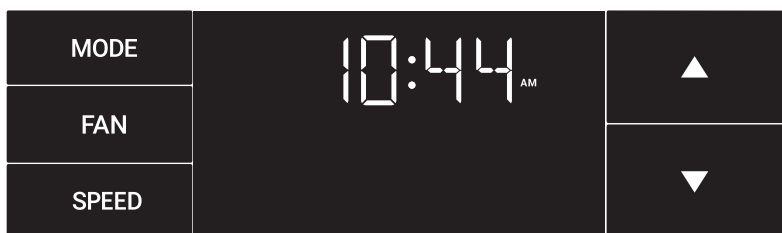
MENU

Figura 20



MENU

Figura 21



MENU

Figura 22



MENU

# Funcionamiento del Panel de Control

## El menú TM (continuación)

Modo automático seleccionado. Consulte la Figura 23.

Con los botones de flecha, configure el valor de referencia de refrigeración para el primer periodo de temporizador. El temporizador de modo de refrigeración solo configura el valor de referencia de refrigeración. Consulte la Figura 24.

A continuación, configure el valor de referencia de calefacción para el primer periodo de temporizador. El temporizador de modo de calefacción solo configura el valor de referencia de calefacción. Consulte la Figura 25.

Nota: El temporizador de modo automático configura los valores de referencia de refrigeración y calefacción.

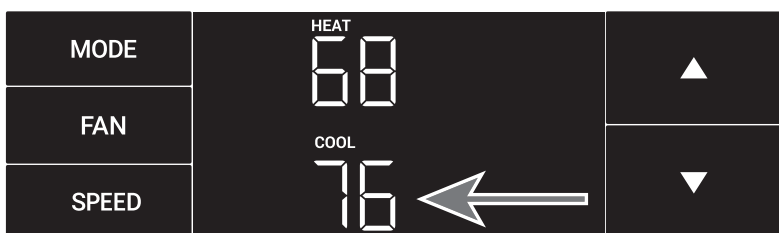
Configure la hora para iniciar el primer periodo de temporizador. Consulte la Figura 26.

Figura 23



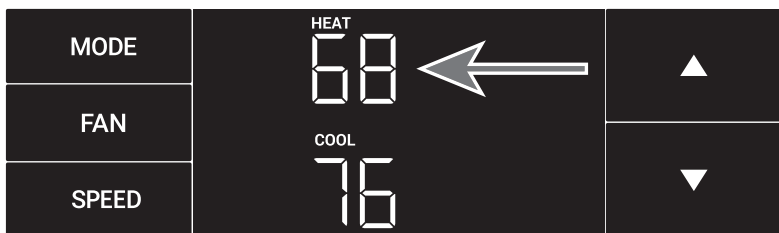
MENU

Figura 24



MENU

Figura 25



MENU

Figura 26



MENU

# Funcionamiento del Panel de Control

## El menú TM (continuación)

Configure el valor de referencia de refrigeración para el segundo temporizador programado. Consulte la Figura 27.

Configure el valor de referencia de calefacción para el segundo temporizador.

Configure la hora para iniciar el segundo periodo de temporizador. Consulte la Figura 28.

Presione el botón más a la izquierda para completar la configuración del temporizador de hora. Consulte la Figura 29.

Figura 27

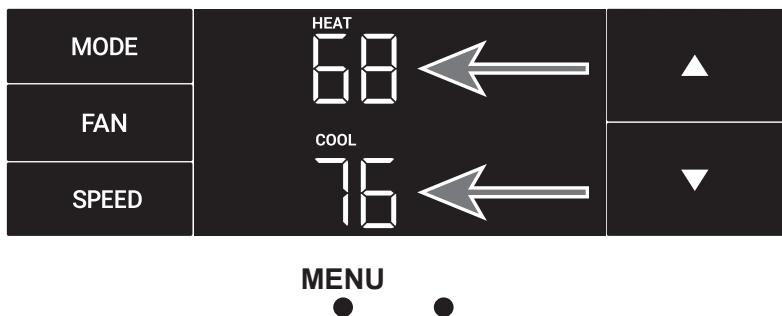


Figura 28

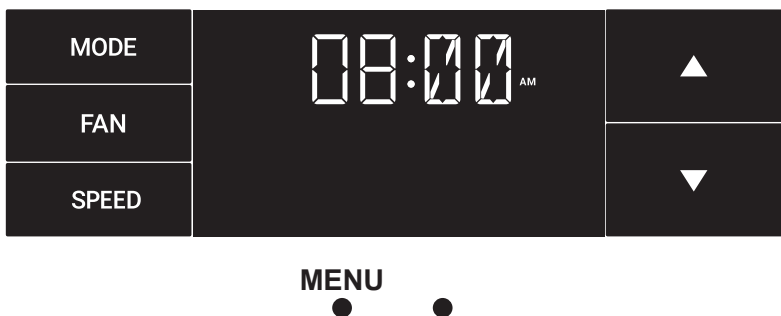
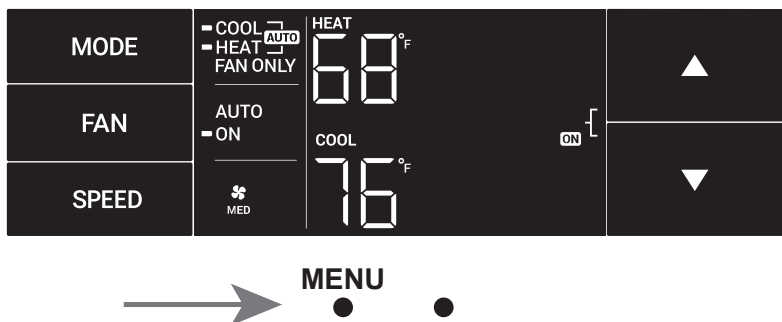


Figura 29



# Funcionamiento del Panel de Control

## El menú F-C

Este menú se utiliza para alternar entre Fahrenheit y Celsius.

Este es el menú de Fahrenheit/Celsius. Consulte la Figura 30.

Utilice los botones de flecha de la derecha para alternar entre Fahrenheit y Celsius. Consulte la Figura 31 y la Figura 32.

Figura 30



MENU

Figura 31



MENU

Figura 32



MENU

# Funcionamiento del Panel de Control

## El menú Lock

Este menú se utiliza para bloquear el cambio de configuración con una contraseña.

Este es el menú de bloqueo. Consulte la Figura 33.

De forma predeterminada, esta configuración está inactiva. Utilice las flechas para alternar entre activa e inactiva. Consulte la Figura 34.

El bloqueo está activo. Consulte la Figura 35.

Configure el primer dígito de la contraseña con los botones de flecha. Utilice el botón más a la izquierda para proceder con el dígito siguiente. Consulte la Figura 36.

Figura 33



Figura 34

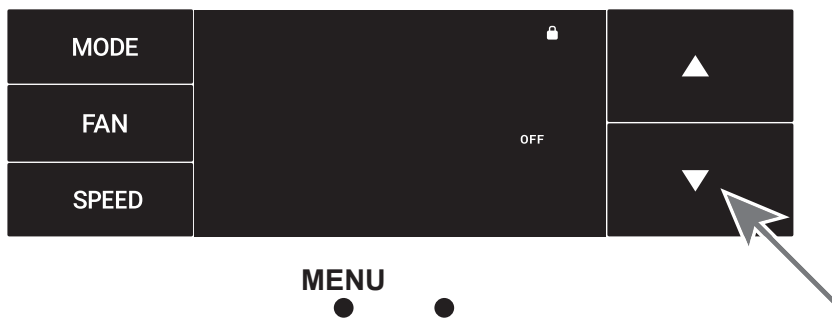
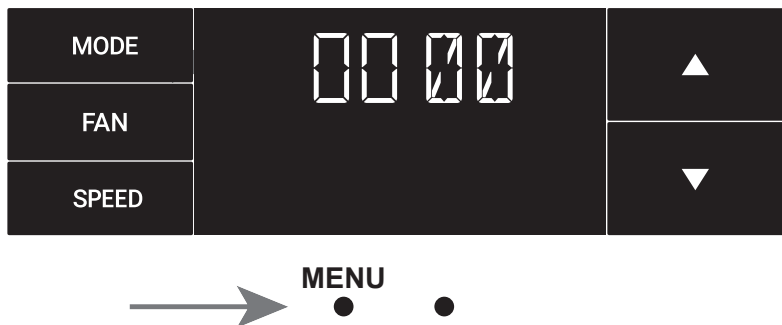


Figura 35



Figura 36



# Funcionamiento del Panel de Control

## El menú Lock (continuación)

Configure el segundo dígito de la contraseña con el mismo método.  
Consulte la Figura 37.

Configure el tercer dígito de la contraseña con el mismo método.  
Consulte la Figura 38.

Configure el cuarto dígito de la contraseña con el mismo método.  
Consulte la Figura 39.

Presione el botón más a la izquierda para completar el proceso de contraseña.  
Consulte la Figura 40.

Figura 37



Figura 38

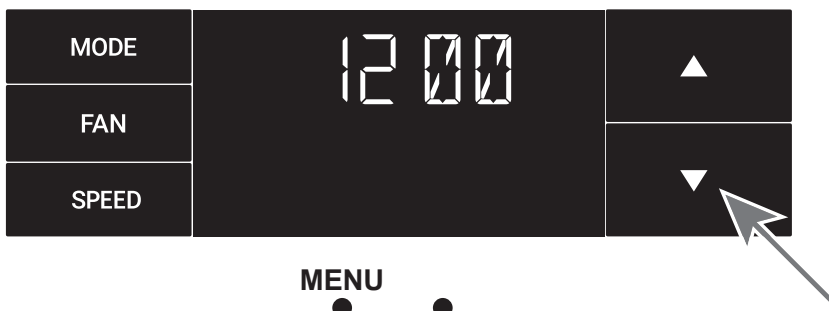


Figura 39



Figura 40



# Funcionamiento del Panel de Control

## El menú Lock (continuación)

ON en el lado derecho de la pantalla muestra que la función de bloqueo está activa. Para regresar al menú, seleccione el botón más a la izquierda nuevamente. Consulte la Figura 41.

Introduzca la contraseña de la misma manera que se creó. Consulte la Figura 42.

Cuando introduce la contraseña correcta, el usuario accede a todos los submenús. Consulte la Figura 43.

El acceso al menú de bloqueo le permitirá desactivar el bloqueo si es necesario. Consulte la Figura 44.

Figura 41

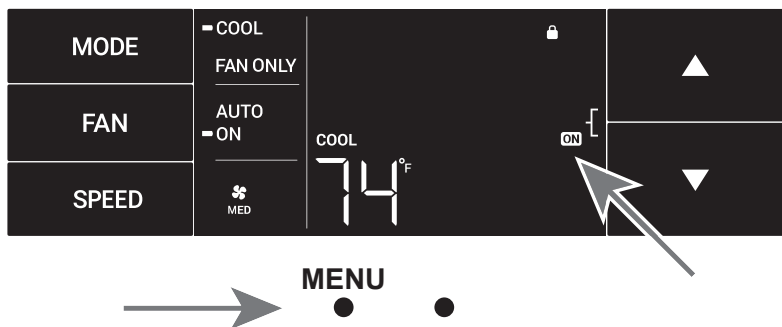


Figura 42

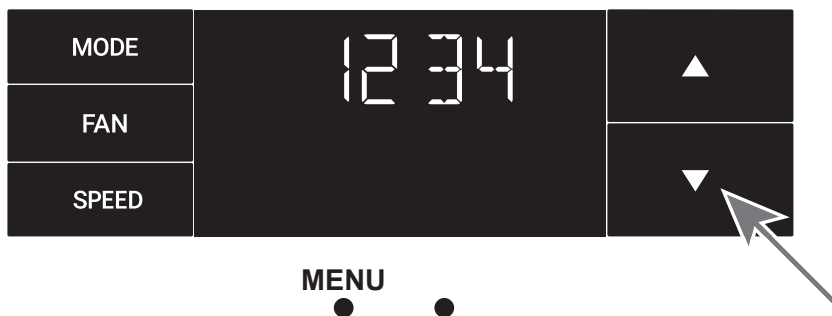
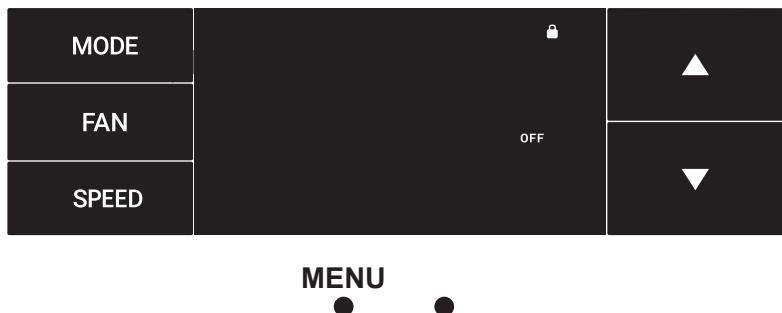


Figura 43



Figura 44



# Funcionamiento del Panel de Control

## El menú CnCT

Este menú se utiliza para encender la conexión Wi-Fi.

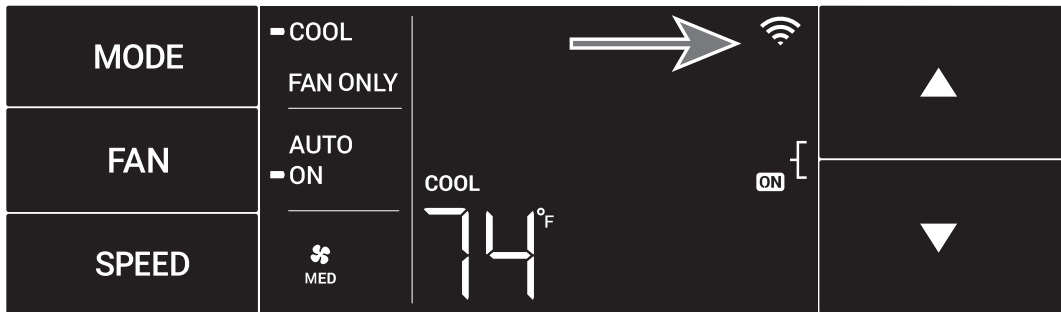
Este es el menú CnCT. Para activar el Wi-Fi, presione el botón más a la izquierda. Consulte la Figura 45.

El símbolo de Wi-Fi en la esquina superior derecha de la pantalla muestra que la conexión de Wi-Fi está activa. Consulte la Figura 46.

Figura 45



Figura 46





# Funcionamiento del Panel de Control

## El menú diAG

Este menú se utiliza para acceder a los códigos de diagnóstico. Consulte la Figura 47.

La selección de este submenú muestra la E que significa "Error." Consulte la Figura 48.

Altere entre los códigos de error mediante las teclas de flecha. Consulte la Figura 49.

Figura 47



Figura 48



Figura 49



# Nuevas Opciones de Control de Kühl

La nueva Kühl le ofrece una variedad de opciones para control, programación y supervisión, incluidas capacidades inalámbricas.

## Programación y control inalámbricos:

Friedrich Connect le permite controlar, programar y supervisar su unidad de aire acondicionado remotamente desde un teléfono inteligente o una computadora.

## Opciones de temporizador preprogramadas:

El control digital de su unidad viene equipado con un temporizador de 24 horas.

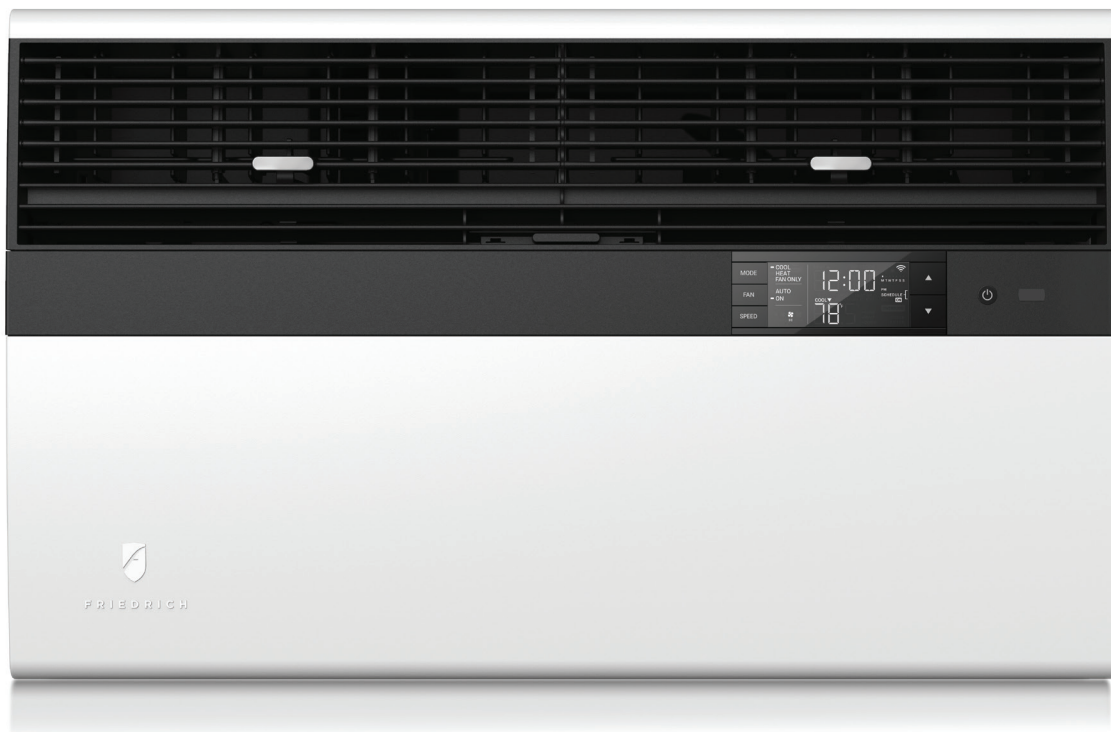
### Temporizador de 24 horas

El temporizador de 24 horas le permite configurar 2 cambios de temperatura en horas preconfiguradas o un panel de control de la unidad.

## Opciones de programación personalizables:

Los temporizadores personalizables, con hasta cuatro ajustes de temperatura por día, se pueden configurar mediante Friedrich Connect para una o varias unidades.

**Consulte [www.friedrich.com](http://www.friedrich.com) para obtener detalles completos sobre Friedrich Connect.**



# Instrucciones de Configuración de Wi-Fi

## Acceso a los submenús:

Abajo se incluyen las instrucciones de configuración para que la conexión Wi-Fi utilice su unidad de manera inalámbrica.

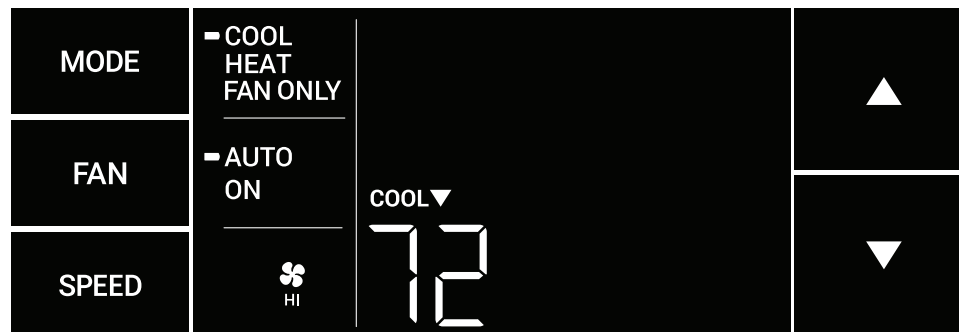
Siga las instrucciones enumeradas a continuación:

- PASO 1.** Utilice un dispositivo móvil, como un teléfono inteligente o una computadora portátil, para ingresar a [www.FriedrichConnect.com](http://www.FriedrichConnect.com).
- PASO 2.** Inicie sesión con su nombre de usuario y contraseña.
- PASO 3.** Haga clic en el botón "Agregar dispositivo".
- PASO 4.** Seleccione la zona horaria en la que está ubicado el dispositivo y haga clic en el botón "Siguiente".
- PASO 5.** Para iniciar el proceso de configuración, haga clic en el botón de menú en la pantalla principal de su modelo Kühl.
- PASO 6.** Con las flechas hacia abajo y hacia arriba, navegue hasta la pantalla CnCT (Figura 50).
- PASO 7.** Haga clic en el botón de menú, esto iniciará el proceso de configuración en su dispositivo habilitado para Friedrich Connect.
- PASO 8.** Haga clic en el botón "Siguiente" en su dispositivo móvil.
- PASO 9.** Siga los pasos que se muestran en pantalla para terminar de agregar el dispositivo a su cuenta.

Figura 50



Figura 51



# Instrucciones de Funcionamiento del Panel de Control

**SISTEMA** - El botón **MODE** le permite seleccionar hasta cuatro modos de operación de forma secuencial:

<b>AUTOMÁTICO</b>	Disponible en modelos seleccionados
<b>REFRIGERACIÓN</b>	
<b>CALEFACCIÓN</b>	Disponible en modelos seleccionados
<b>SOLO VENTILADOR</b>	

## VENTILADOR AUTOMÁTICO (sin demanda de refrigeración)

Cuando está en modo **AUTO**, el ventilador solo opera cuando el sistema tiene una demanda para refrigerar o calefaccionar la habitación.

En el modo de ventilador **ON**, el ventilador opera de forma continua. El sistema periódicamente refrigera o calefacciona el flujo de aire del ventilador, pero el flujo de aire no se detiene.

**Flechas HACIA ARRIBA y HACIA ABAJO** - Cuando presiona el botón de flecha **UP** o **DOWN**, el botón cambia el valor de referencia del sistema (temperatura deseada de la habitación). Estos botones también se utilizan para realizar cambios de parámetros del sistema más adelante en este manual.

Una presión del botón es igual a 1 grado de cambio en modo Fahrenheit.

Una presión del botón es igual a 0,5 grados de cambio en modo Celsius.

## TEMPORIZADOR

El temporizador se puede activar o desactivar desde el panel de control. Para hacerlo, presione o mantenga presionadas por tres segundos las flechas **UP** y **DOWN** de forma simultánea.

## OTRAS FUNCIONES

### Selección de °F–°C

Para alternar entre grados Fahrenheit (F) y Celsius (C), presione el botón **MENU** e ingrese al submenú **F-C**.

**VELOCIDAD DEL VENTILADOR** - En función de su modelo, el botón **FAN SPEED** le permite alternar entre tres o cuatro modos de operación: **BAJO**, **MEDIO**, **ALTO** y **MÁXIMO**.

## Alertas

Cuando el filtro necesita limpiarse o reemplazarse, se muestra el icono **CHECK FILTER**.

La alerta se puede desestimar presionando **FAN MODE** y **TIME** durante 3 segundos.

## Bloquear el panel de control

Para bloquear o desbloquear los controles del panel frontal, navegue hasta el submenú "**LOCK**" que se muestra después de hacer clic en el botón **MENU**. El menú de bloqueo requiere una contraseña de cuatro dígitos para bloquear y desbloquear la unidad. La contraseña se requerirá para ingresar al menú para desbloquear la unidad. El icono **LOCK** se ilumina para indicar el estado de bloqueo.

El icono **LOCK** desaparece para indicar el estado de desbloqueo.

## Estado de control externo

El icono **Wi-Fi** se ilumina para indicar que el sistema está recibiendo conexión Wi-Fi. El icono **Wi-Fi** también proporciona información sobre la intensidad de la señal.

## FUNCIONES AVANZADAS

Las funciones mencionadas en la siguiente sección pueden estar disponibles o no en función del modelo de aire acondicionado.

### Modificar la función del TEMPORIZADOR

Navegue hasta el menú **TIME** para configurar el temporizador.

# Operación de Control Remoto

**Control Remoto** - Refiérase a la Figura 52 durante la descripción de la operación.

**Empezando** - Instale dos (2) baterías de AAA en la parte trasera de la unidad designada para las baterías.

**Operación** - El control remoto debe de estar dentro de 25 pies del aire acondicionado (para la operación efectiva refiérase a la Figura 52). Oprima para encender el remoto. El remoto automáticamente se apagará después de 15 segundos si no se presionan los botones. El remoto debe de estar encendido para controlar la unidad.

**Botón de encendido** - Enciende y apaga la unidad y el remoto.

**Botón de sistema** - Permite que el usuario selecciona lo siguiente: **AUTO**, de enfriamiento (**COOL**), calefacción (**HEAT**), y solo abanico (**FAN ONLY**) operaciones. Cuando se presiona el botón, la pantalla indica qué modo se ha seleccionado a través de un mensaje de pantalla. Tenga en cuenta que cuando la función de calefacción no está disponible, el sistema omitirá automáticamente el modo CALOR.

**Botón de modo de abanico** - Elija entre la operación automática (**AUTO FAN**) o **CONTINUOUS**. En el modo de **AUTO FAN**, el abanico solo se prende y apaga cuando opera el compresor o si está activada la función de calefacción.

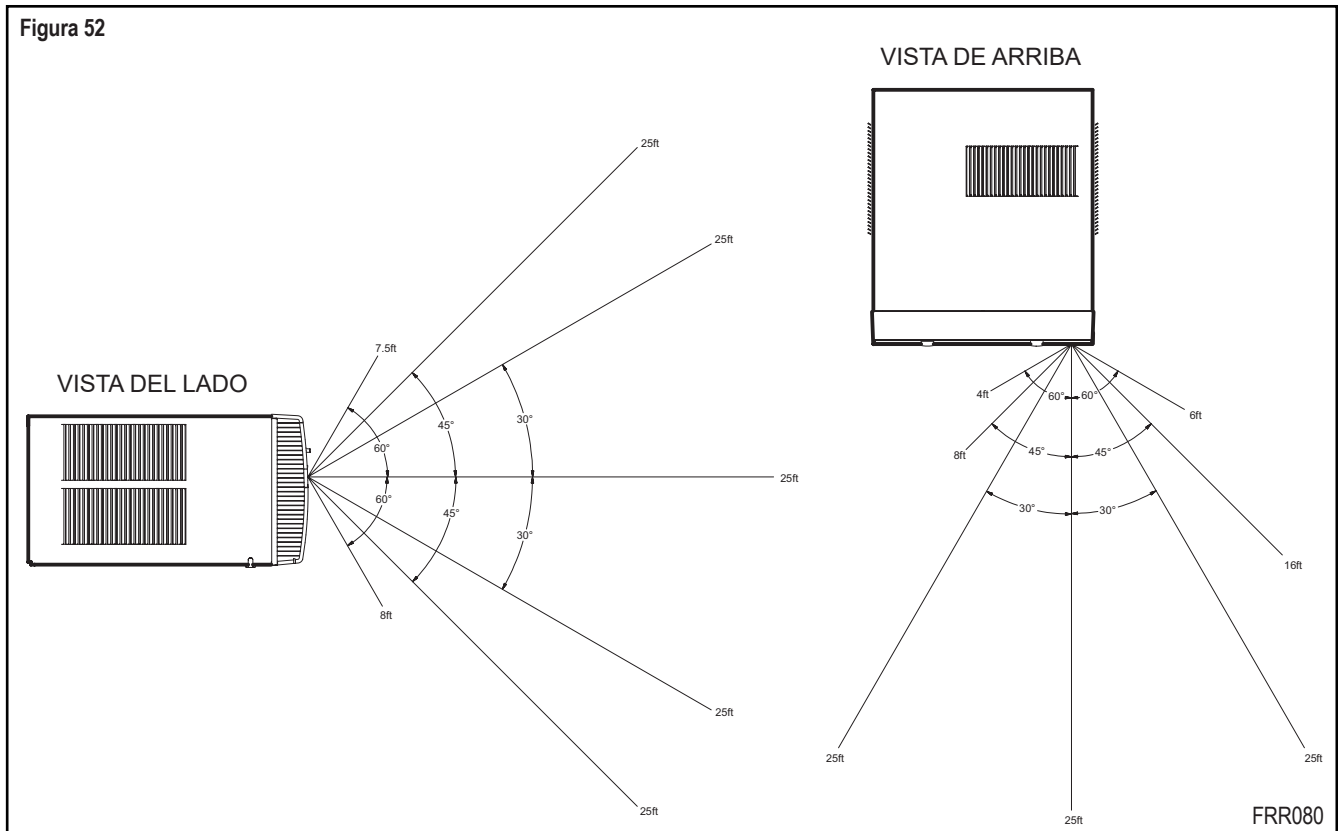
**AVISO: AUTO FAN** no es disponible en el modo de solo abanico (**FAN ONLY**), la pantalla mostrara **CONTINUOUS**. Usted selecciona la velocidad del abanico en el modo de **CONTINUOUS**, utilizando **FAN SPEED**.

**Botón de velocidad de abanico** - Se utiliza para elegir entre la velocidad del abanico y operación **AUTO**. Cuando se oprima **FAN SPEED**, la velocidad del abanico temporadamente se muestra en la pantalla, y icono de la velocidad del abanico (triángulo) se cambia para indicar la nueva velocidad. La velocidad del abanico automáticamente varía dependiendo de la temperatura ajustada en el panel de control y temperatura actual de la habitación. Por ejemplo, si está en el garaje con la puerta abierta, el aire acondicionado siente la diferencia entre la temperatura ajustada, y la velocidad del abanico se cambiaría a **HIGH**. Cuando se logre la temperatura ajustada, la velocidad del abanico se regresara al ajuste original.

**Flechas arriba y abajo** - Oprima los botones **UP** o **DOWN** para cambiar la temperatura de la habitación. Los límites máximos y mínimos programados en fábrica son 60 °F (16 °C) y 99 °F (37 °C). Estos botones también se utilizan para navegar entre opciones cuando se está utilizando el modo de usuario o mantenimiento.

## Eficacia a Distancia

**Remoto de mano** - Tiene un rango de operación de 25 pies. La señal de infrarrojo del control remoto no debe de tener obstrucciones para poder transmitir la señal del aire acondicionado. El control remoto tiene la habilidad de rebotar la señal de paredes y muebles, parecido a un control remoto de un televisor. El diagrama a continuación muestra un rango típico del control en una habitación estándar con paredes de 8 pies.



# Selección y Ajuste de Flujo de Aire


## Ajuste de dirección de flujo de aire

El paso del flujo de aire se puede ajustar para distribuir el aire a la izquierda o la derecha de la abertura de la descarga. Se puede dirigir hacia la izquierda, derecha, arriba y abajo para obtener la posición del flujo de aire óptimo.

Para ajustar la dirección del flujo de aire, mueva la palanca ubicada en el centro de las rejillas hacia la dirección deseada. Es normal que el flujo de aire salga más fuerte de un lado de las rejillas que el otro.

## Control del aire fresco y de escape

Su aire acondicionado tiene la habilidad de permitir la entrada de aire fresco y escape del aire interior. La palanca de control está ubicada en la parte superior de la unidad. (vea Figura 53).

**PARA PERMITIR LA ENTRADA DE AIRE FRESCO** – Mueva la palanca a la posición de aire fresco **Fresh Air**  que permitiera la entrada de aire fresco hacia adentro. Esto es muy útil en los modos de solo abanico (FAN ONLY), y enfriamiento (COOL) que se utilice con el compresor.

**PARA PERMITIR EL ESCAPE DEL AIRE INTERIOR** – Mueva la palanca a la posición de escape **Exhaust** . Esto permite que el aire interior se escape al exterior de la vivienda. Esto es muy útil cuando el aire se sienta bochornoso, o que alguien fume adentro o cualquier otro olor.


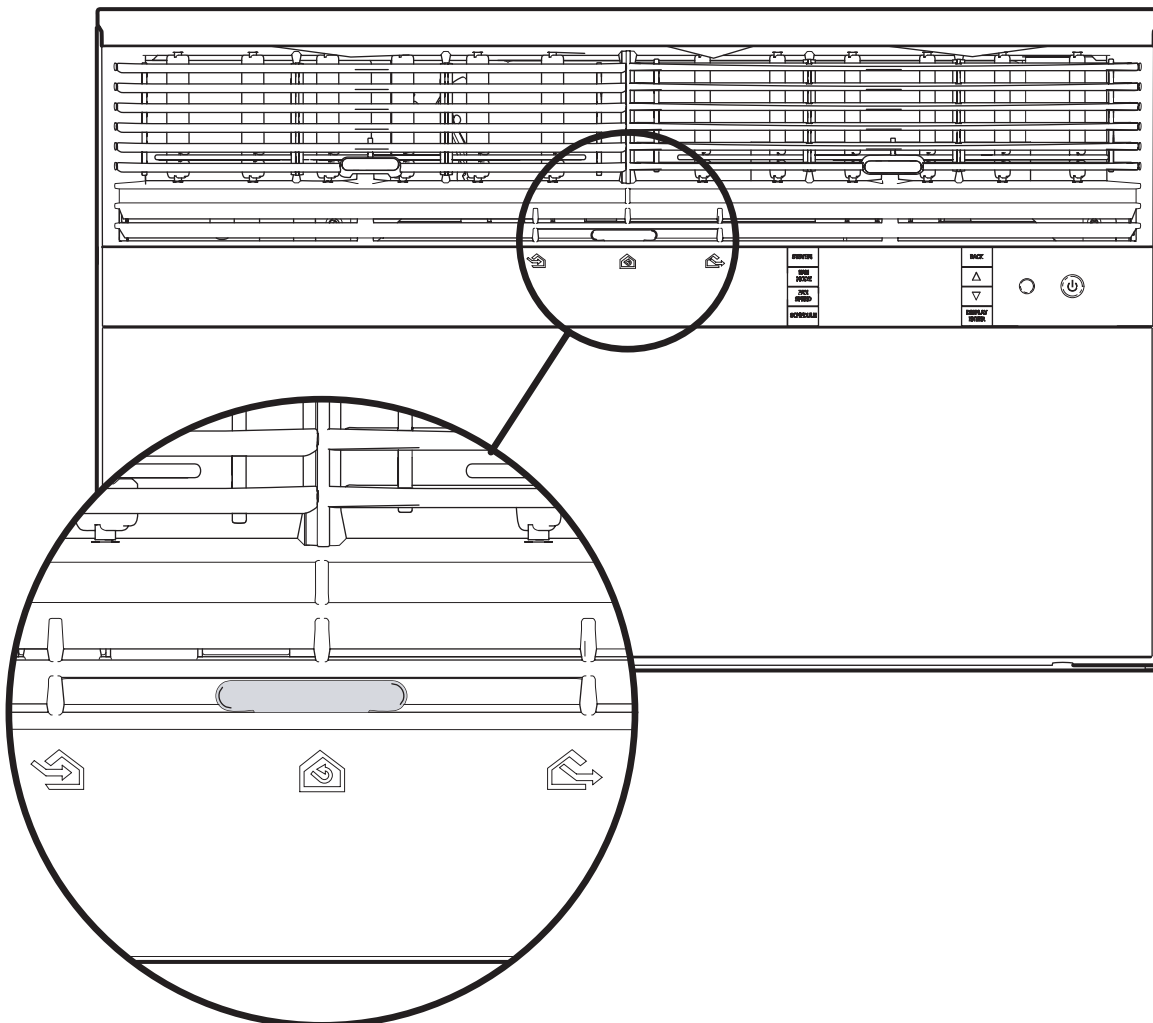
**FUNCIONAMIENTO MÁXIMO** – Mueva la palanca a la **posición de recirculación**.  Este es el modo más eficiente para el enfriamiento y calefacción.

Figura 53




FRR008

# Instrucciones de Instalación

LEA ESTO PRIMERO! Requisitos eléctricos

**⚠ ADVERTENCIA**



**Peligro de choque eléctrico**

Asegúrese de que su enchufe tenga la misma configuración eléctrica que el acondicionador de aire. Si es diferente, consulte a un electricista autorizado.

No utilice adaptadores de enchufe.  
No utilice un cable de extensión.  
No quite la clavija de tierra.

Siempre conecte a un enchufe de tres clavijas.  
El no cumplir con estas instrucciones se puede ocasionar la muerte, un incendio o un choque eléctrico.

**IMPORTANTE:** Antes de empezar la instalación de su aire acondicionado, revise los códigos eléctricos y la información a continuación. Su aire acondicionado debe de estar conectado a una conexión con la misma corriente alterna (AC) de voltaje y amperaje que está indicada en la placa del chasis.

**PROTECCIÓN DE CIRCUITO** – Utilice un enchufe de un solo circuito. Un circuito sobrecargado puede causar el mal funcionamiento de su aire acondicionado, por eso es importante la protección eléctrica adecuada. Utilice un fusible de tiempo de retraso "TIME DELAY" o un disyuntor tipo HACR cuando inicia su unidad. Si existe alguna duda consulte su distribuidor.

Refiérase a la placa eléctrica ubicada en el chasis del aire acondicionado (consulte la Página 2) para elegir el fusible o amperaje del disyuntor adecuado para su modelo (vea Tabla 1 en Página 6 para el tipo de enchufe).

El cable de alimentación tiene una conexión con una clavija de tierra y se requiere un enchufe correspondiente.

Las siguientes instrucciones son para modelos de chasis estándar, están clasificadas por las primeras letras del modelo en Tabla 2.

DESIGNACIÓN DE MODELO	TAMAÑO (H x W x D)
CHASIS CHICO – KCS, KES, KHS	15 15/16" x 25 15/16" x 29" (405 mm x 660 mm x 737 mm)
CHASIS MEDIANO – KCM, KEM, KHM	17 15/16" x 25 15/16" x 29" (455 mm x 660 mm x 737 mm)
CHASIS GRANDE – KCL, KEL, KHL	20 3/16" x 28" x 35 1/2" (513 mm x 711 mm x 851 mm)

**⚠ ADVERTENCIA**



**Peligro de partes móviles**

- No debe de operar la unidad fuera de su marco o sin la rejilla frontal.
- No ponga sus manos junto a las aspas del abanico.

El no hacerlo puede resultar en heridas graves.

**⚠ PRECAUCIÓN**



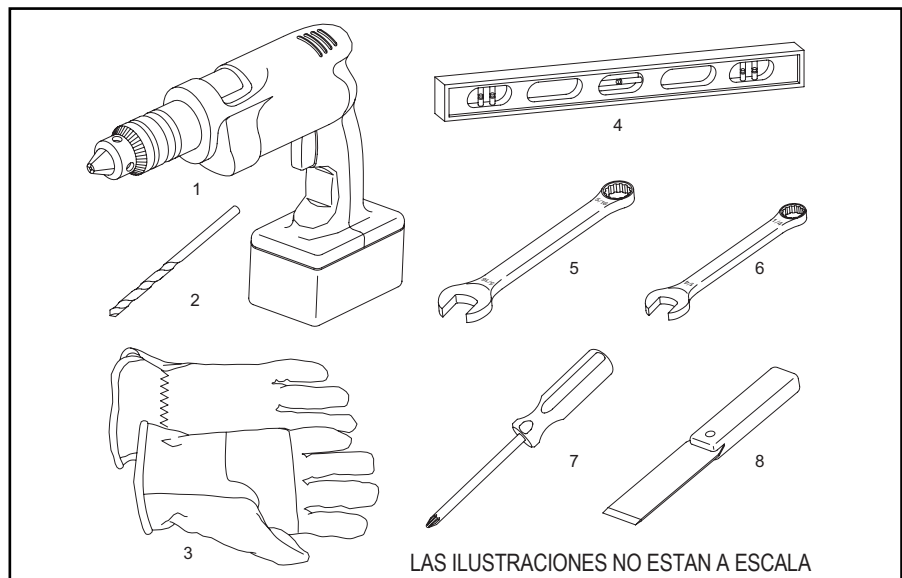
**Peligro de Peso Excesivo**

Dos o más personas deben de instalar el aire acondicionado.

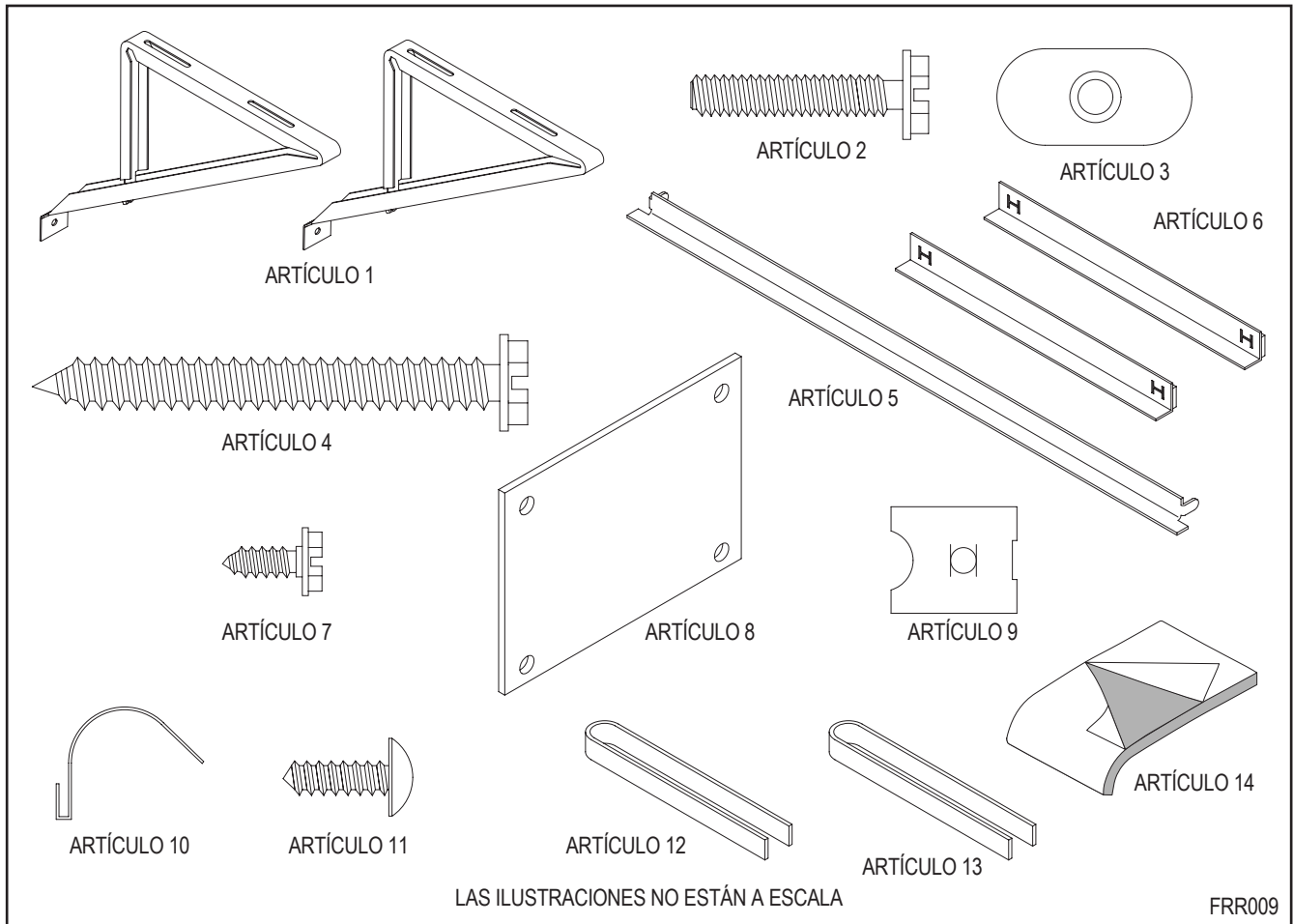
El no hacerlo puede resultar en dolor de espalda ú otras heridas.

## Herramientas recomendadas

1. Taladro eléctrico
2. Broca 5/32"
3. Guantes
4. Nivel
5. Llave mixta de 5/16"
6. Llave mixta de 1/4"
7. Desarmador plano #2
8. Espátula



# Instalación Hardware y Detalles de Accesorios



## Accesorios para la instalación en la ventana

NUM DE PART	DESCRIPCIÓN	CANT.
<b>PIEZAS DE MONTAJE DEL TABLÓN</b>		
8	TABLÓN (MASONITE)	1
9	"J" TYPE SPEED NUT	4
10	PRESILLA DEL TABLÓN (ACERO) TORNILLO, #8	4
11	x 1/2" PHILLIPS TRUSS HD	4
<b>SELLO DE VENTANA</b>		
12	JUNTAS DE SELLO DE VENTANA (ESPUMA OSCURA)	1
13	JUNTA DE SELLO DE CHASIS (ESPUMA CLARA)	1
<b>PIEZAS DE MONTAJE</b>		
1	MÉNSULA DE SOPORTE	2
2	TORNILLO DE CABEZA HEXAGONAL, 10-24x1"	4
3	10-24 TUERCA PLANA DE SOLDADURA TOR-	4
4	NILLO, LAMINA DE #12 A x 2"	7
<b>MONTAJE DE ANGULO DEL TABLÓN</b>		
5	ANGULO DE ARRIBA	1
6	ANGULO DE LADO	2
7	TORNILLO, LAMINA DE #8 x 3/8"	2

## Accesorios para la instalación en la pared

NUM DE PART	DESCRIPCIÓN	CANT.
<b>PARTES DE MONTAJE</b>		
4	TORNILLO, SHEET METAL #12A x 2"	7
14	EMPAQUE PARA SELLADO DE CHASIS (LIGHT FOAM)	1

**AVISO:** Modelos Kühl + no vienen con componentes para montar en ventanas. Debe de comprar aparte un estuche de instalación en ventanas cuando monta modelos de enfriamiento y/o calefacción.

**KWIKS** – Para modelos KES y K.

**KWIKM** – Para modelos KEM y KHM.


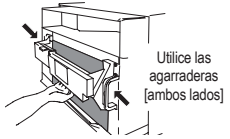
**KWIKL** – Para modelos KEL y KHL.



# Instalación de Ventanas Estándar

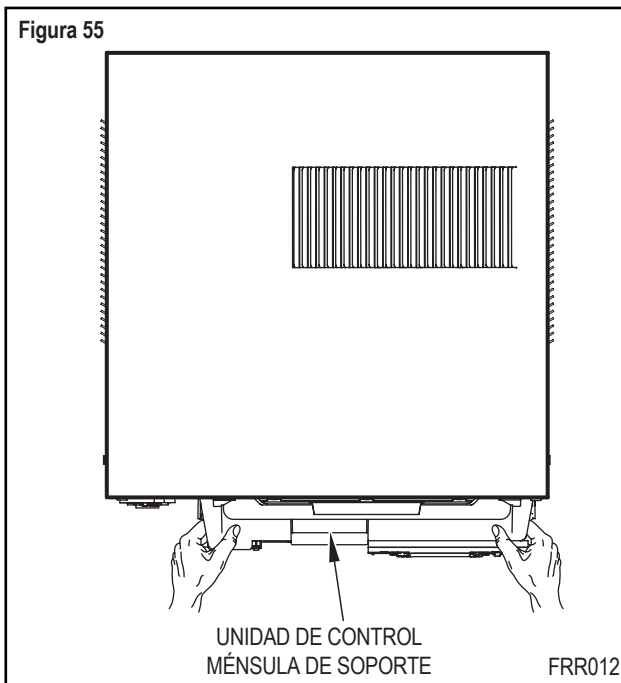
**AVISO:** Los artículos de ferretería y los accesorios utilizados en la instalación se muestran en la Página 28. Cada pieza se refiere por su número de artículo.

**PASO 1.** Quite el tornillo de la derecha para quitar la retención de la entrada del chasis (vea Figura 54), aparte el tornillo para utilizarlo después (Paso 12). Quite y deshágase de los dos tornillos y arandelas de retención en la parte trasera de la unidad (consulte la figura 54).

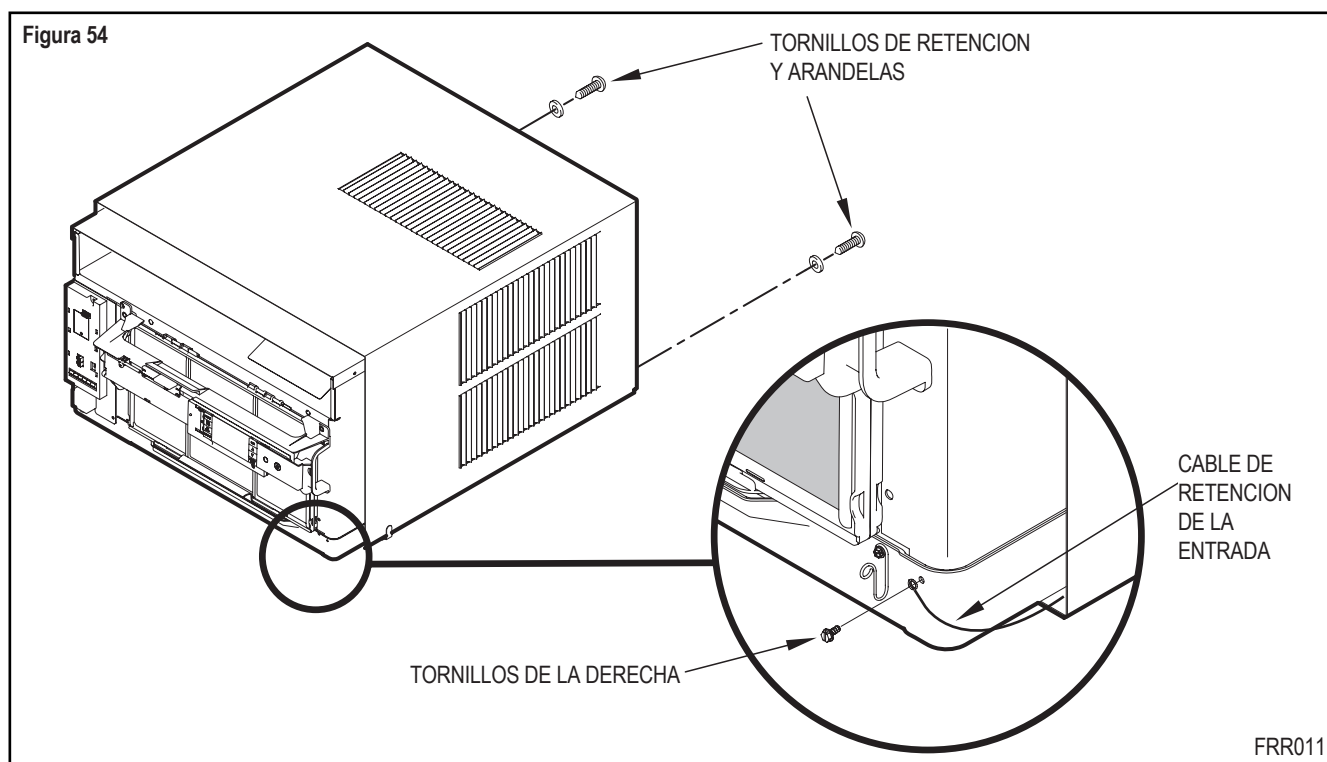
 <b>PRECAUCIÓN</b>	
 <p>Utilice las agarraderas [ambos lados]</p>	<p><b>Uso de las agarraderas</b></p> <p>Utilice las agarraderas de ambos lados para sacar la unidad.</p> <p>No empuje, jale o levante del apoyo central.</p>

**PASO 2.** Mantenga la unidad firme, utilice las agarraderas de ambos lados de la ménsula de apoyo de la unidad de control para sacar el chasis de la unidad (consulte la Figura 55).

**PASO 3.** Quite los bloques de espuma que vienen con el compresor (consulte la Figura 56) Inspeccione la bandeja de la base por pedazos de espuma del bloque y tire. No debe de remover otras piezas de espuma.



**PASO 4.** Junte las puntas del alfeizar inferior (vea Figura 57, Detalle B-2) con las presillas del ángulo del lado para sujetar los ángulos (Artículo 6). Junte las puntas del ángulo superior (Artículo 5) con las presillas del ángulo del lado (vea Figura 57, Detalle B-1). Instale dos tornillos (Artículo 7) para fijar los ángulos del lado y superior al gabinete (consulte la Figura 57, Detalle B-1).



# Instalación de Ventanas Estándar continuado

## ⚠ PRECAUCIÓN



**Quite los bloques de empaque**  
Antes de operar la unidad quite los bloques de espuma.

El no hacerlo puede resultar en daños a la unidad, por lo cual la garantía no se hará responsable!

**PASO 5.** Revise el alféizar y marco de la ventana para asegurar que están en buenas condiciones. Repara donde sea necesario.

**PASO 6. MONTAJE DE GABINETE** – Levante la ventana inferior  $\frac{1}{4}$ " más que de la altura del gabinete. Cuidadosamente introduzca el gabinete en la abertura hasta que el canal del alféizar se junte con el alféizar de la ventana, y el ángulo de arriba se junte con la ventana (vea Figura 58). Centre el armario dentro de la abertura. Perfore tres (3) orificios guía de  $\frac{5}{32}$ " de diámetro en el alféizar de la ventana usando los orificios de la placa del alféizar del gabinete como guía. Instale tres (3) tornillos largos # 12 x 2" (Artículo 4) (vea Figura 58).

**PASO 7. MONTAJE DE APOYO EXTERIOR** – Refiérase a las Figuras 57 y 58. Ensamble las ménsulas de apoyo (artículo 1) con cuatro tornillos de 10-24 de 1" (Artículo 2) y cuatro tuercas planas de 10-24 (Artículo 3). Ajuste las ménsulas de apoyo con los agujeros de la ménsula y del gabinete, para que las ménsulas inferiores estén en contacto con la pared. UN DIVISOR DE 1" x 4" o 2" x 4" SE DEBE UTILIZAR ENTRE LA PARED Y LAS MENSUELAS DE APOYO CUANDO SE INSTALE EN UNA BASE DE ALUMINIO O VINILO. Taladré agujeros de un diámetro de  $\frac{5}{32}$ " con dos tornillos de 12A x2" (Artículo 4) para fijar bien las ménsulas en la pared.

**AVISO:** NO DEBE DE NIVELAR el gabinete del frente hacia atrás. Asegúrese que haya aproximadamente una inclinación de  $\frac{3}{8}$ " a  $\frac{1}{2}$ " slope (extendido  $\frac{1}{8}$  a  $\frac{1}{4}$  en el nivel) hacia el exterior de la casa.

Ajuste las ménsulas de apoyo para que se forme una inclinación para que se desahogue la condensación (refiérase a la instalación de ventana estándar Figuras 59 a 61). Apriete los tornillos.

**Método de apoyo alternativo A:** Si tienes una ventana ancha que no permite que monte la ménsula como se muestra en Figura 61, sigue las siguientes instrucciones: Utilice los agujeros alargados y alternos en el gabinete, ajuste las ménsulas para que resista el peso de la unidad (Figura 62). Apriete los tornillos.

**Método de apoyo alternativo B:** Si el espacio de la repisa de la ventana esta estrecha, intente lo siguiente. Doble la punta de la ménsula para que aplane. Corte la ménsula en dos partes como se muestra en la Figura 63. Doble la pieza pequeña para que quede en una posición vertical cuando se instale. Ajuste la colocación y apriete los tornillos.

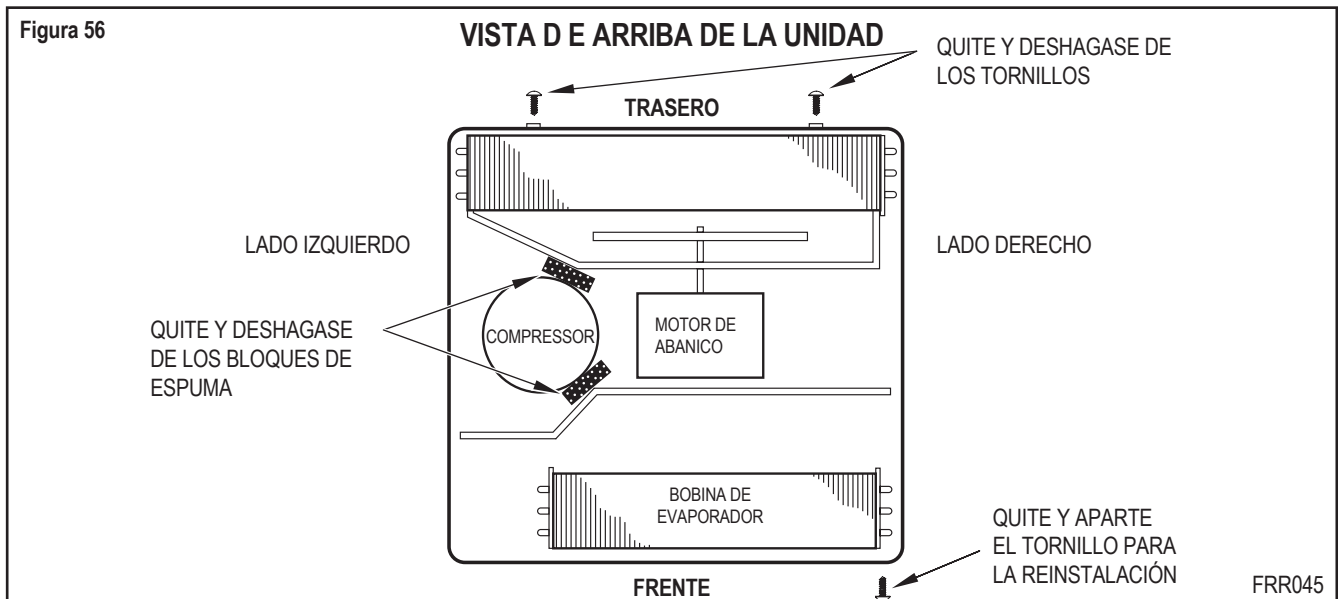
**PASO 8.** Mida y corte los paneles del tablón (con un espacio de  $\frac{1}{8}$ " del masonite suministrado (artículo 8) para que quede entre el canal del lado de la ventana y el gabinete (figura 24). Asegúrese de incluir la profundidad del canal de la ventana.

## AVISO



Por su seguridad, debe de tener un método de prevenir que la ventana se abra.

**PASO 9.** Para ensamblar los paneles del tablón, oprima las tuercas tinnerman tipo "J" (Artículo 9) presillas de acero (Artículo 10) (vea Figura 25 en Página 26). Asegure cada panel con dos tornillos (Artículo 11).



# Instalación de Ventanas Estándar continuado

Figura 57

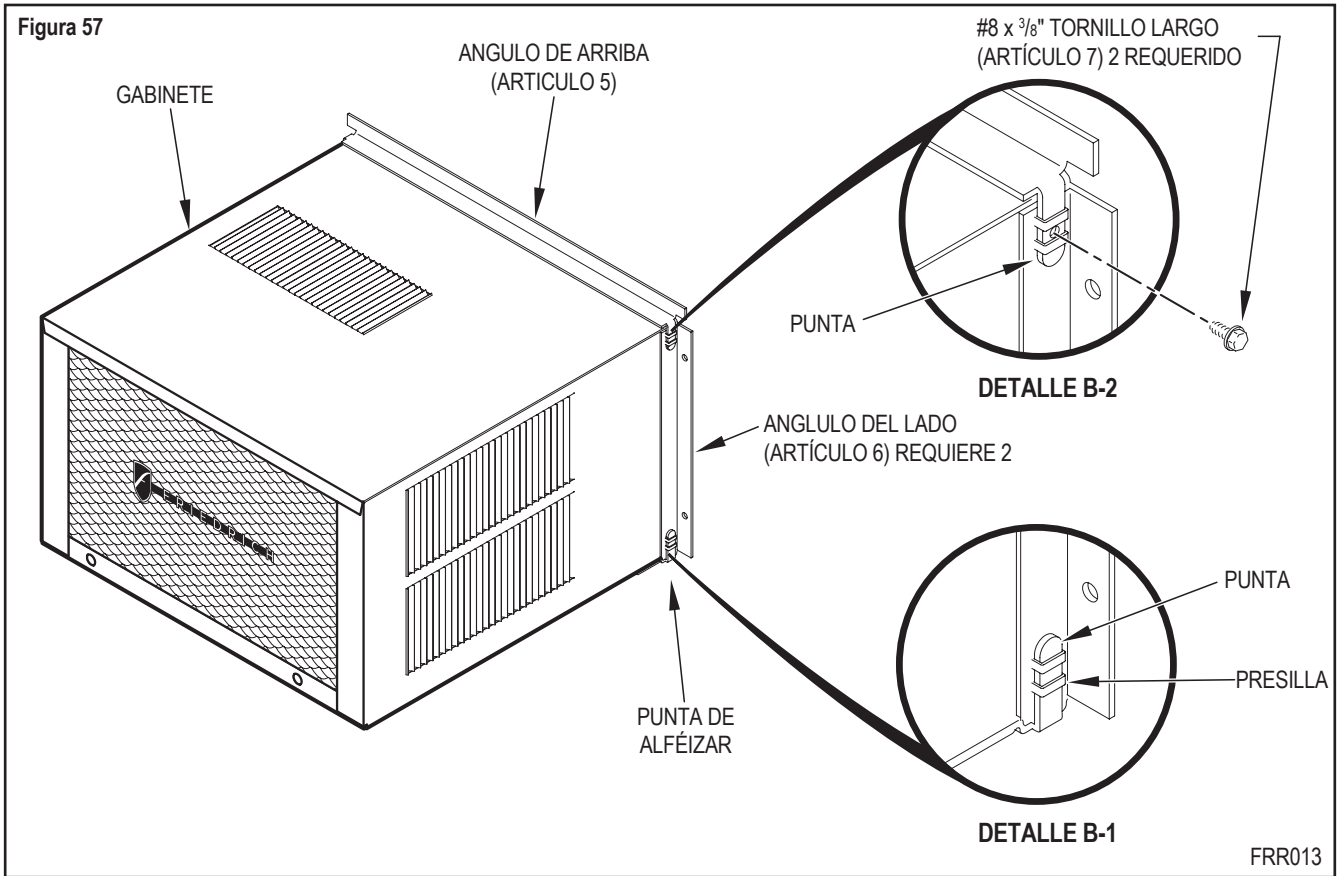
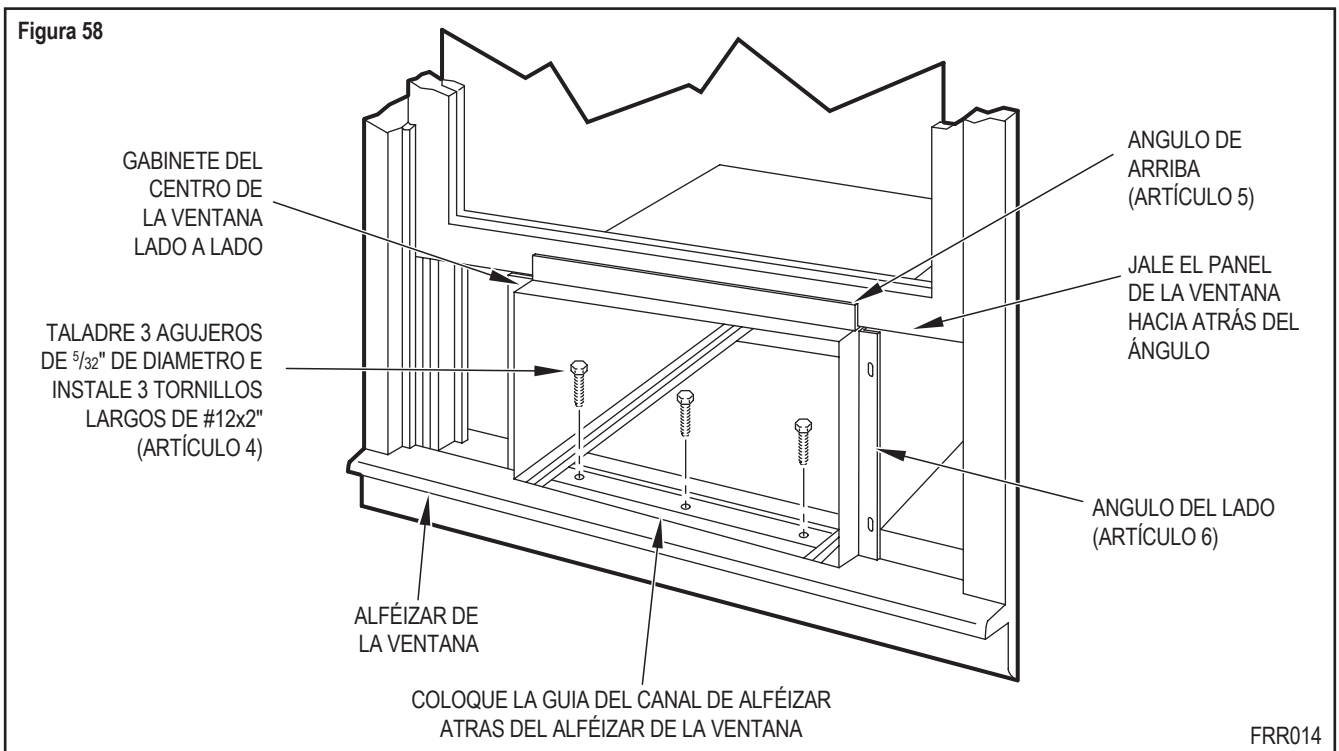


Figura 58

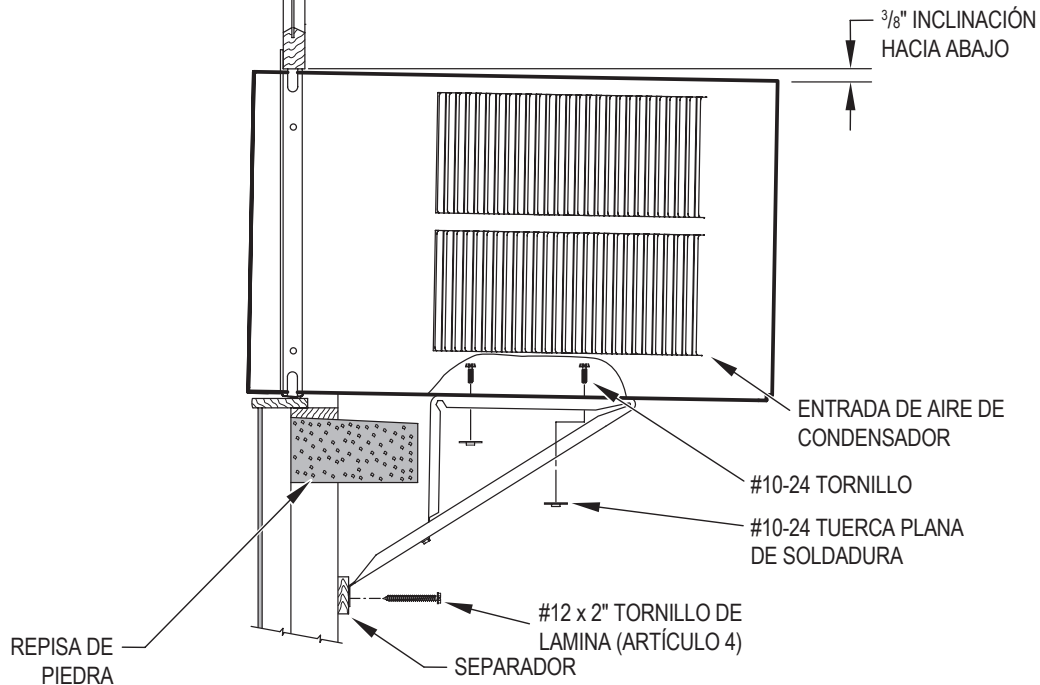




# Instalación de Ventanas Estándar continuado

Figura 61

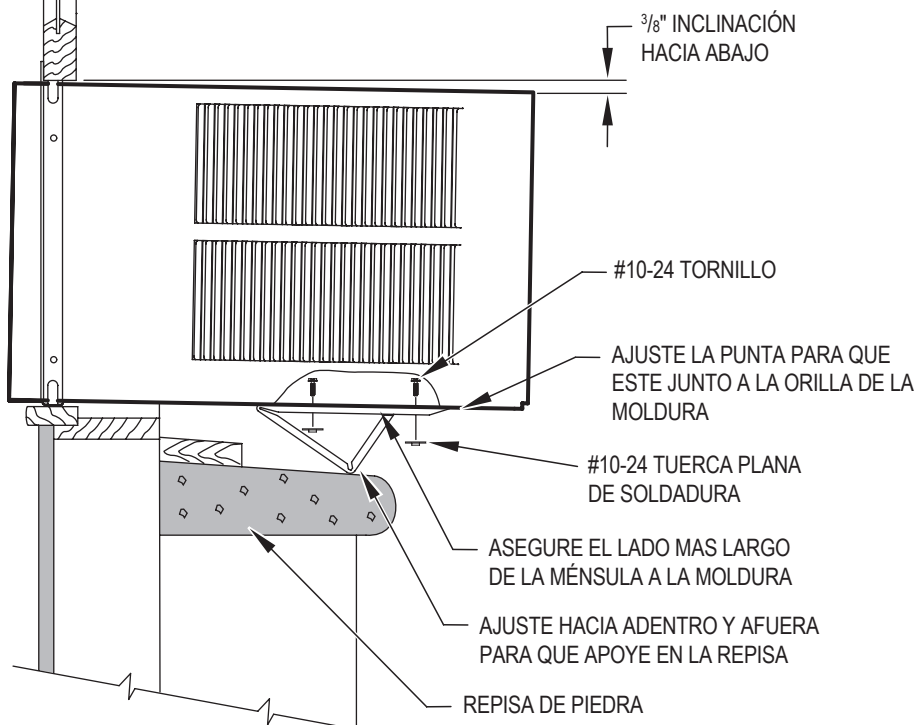
## PARA LOS LEDS



FRR017

Figura 62

## METODO ALTERNATIVO A

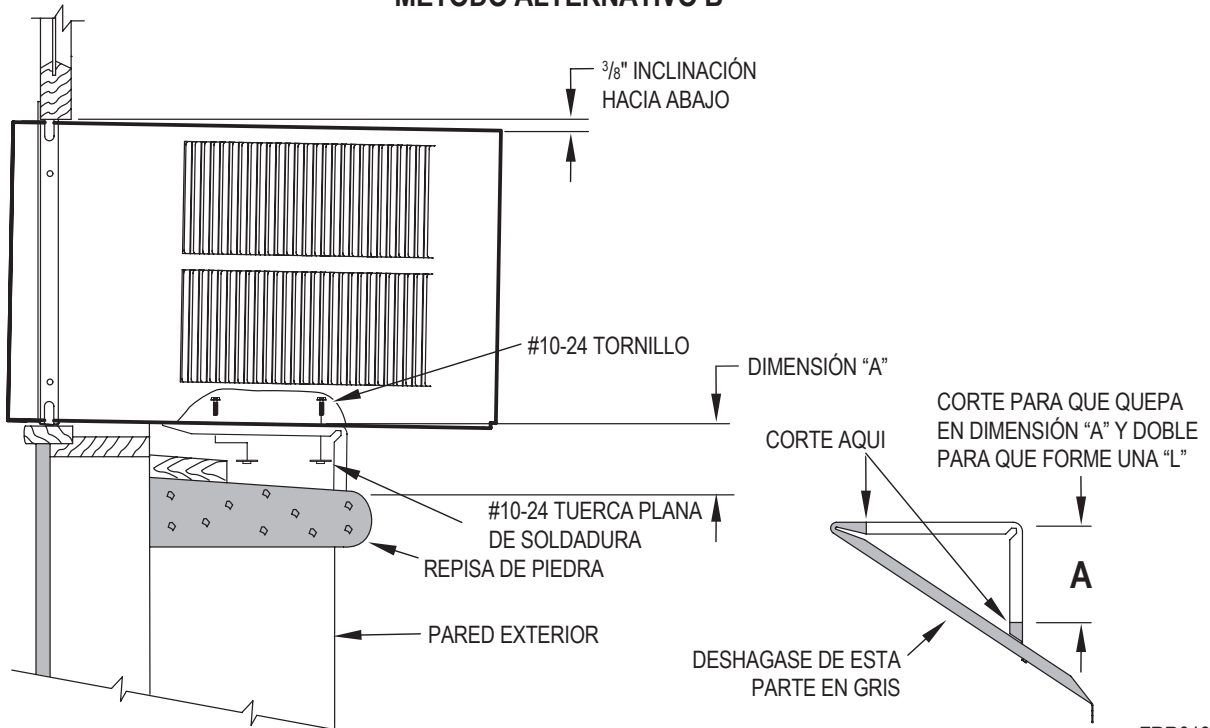


FRR018

# Instalación de Ventanas Estándar continuado

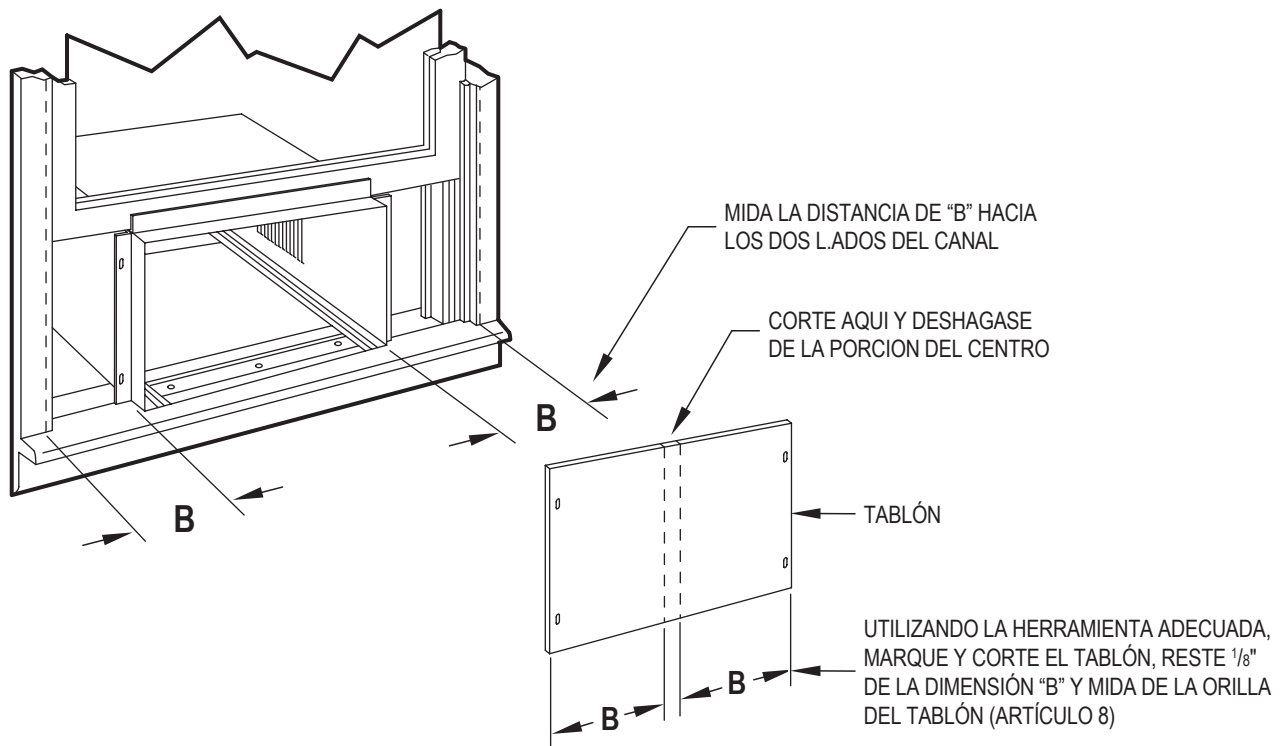
Figura 63

## METODO ALTERNATIVO B



FRR019

Figura 64



FRR020

# Instalación de Ventanas Estándar continuado

## ⚠ PRECAUCIÓN



### Peligro de caída de objetos

No seguir las instrucciones de instalación para el montaje de su aire acondicionado puede causar daños a la propiedad, lesiones o muerte.

## ⚠ PRECAUCIÓN



### Peligro de cortarse

Algunas orillas pueden ser filosas, utilice guantes o protección de las manos al manejar la unidad. El no hacerlo puede resultar en heridas leves a moderadas.

**PASO 10. INSTALE LA JUNTA DEL SELLO DE VENTANA** – Para minimizar las fugas de aire y garantizar un aislamiento óptimo, instale el panel de aislamiento R1 incluido (14 en la lista de piezas) (vea Figura 67A-C).

Primero, mida el ancho desde un lado del gabinete/cubierta (que cubre los ángulos laterales donde se aseguró la tabla de ala) hasta el final de la tabla de ala (vea Figura 67A).

Luego, corte el panel de aislamiento R1 al ancho medido y retire la cubierta protectora, exponiendo el adhesivo en el panel posterior (vea Figura 67B).

Por último, aplique uniformemente el lado adhesivo del panel en toda la altura y el ancho desde el ángulo lateral hasta el panel de la tabla de ala (vea Figura 67C).

Repita los pasos anteriores para el otro panel de tabla de ala.

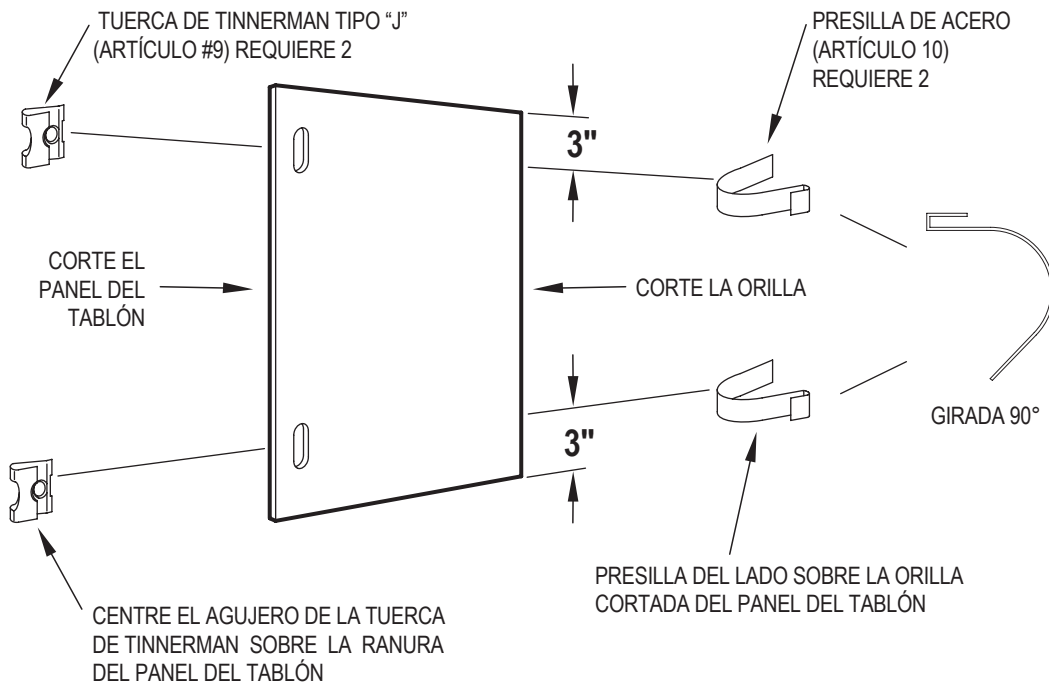
**PASO 11. INSTALAR LAS JUNTAS DE SELLADO DE VENTANAS** – Mida y corte la junta del sello de la ventana de espuma oscura (Artículo 12) e instálela entre el panel de vidrio superior y la parte superior del marco de la ventana (vea Figura 67A).

**PASO 12.** Cuidadosamente levante el chasis y colóquelo en el gabinete, dejando 3" hacia afuera. Inserte la junta de sellamiento del chasis (Artículo 14) con una 1" de profundidad entre el chasis y el gabinete (vea Figura 29) como se muestra en la Pagina 28. Puede meter la junta en cualquier esquina de la parte inferior, y continúa hacia arriba, y luego hacia abajo y jale por el lado opuesto. Una espátula sería útil para eso. Empuje el chasis completamente adentro del gabinete.

**AVISO:** La operación de la unidad estará afectada si la instalación de la junta de sellamiento del chasis no se instale o esté mal hecha. Resultará en la amplificación del ruido exterior y de la unidad.

**PASO 13.** Vuelva a colocar el chasis EntryGard™ y el cable de retención EntryGard™ con el mismo tornillo retenido en Step 1 (vea Figura 54).

Figura 65



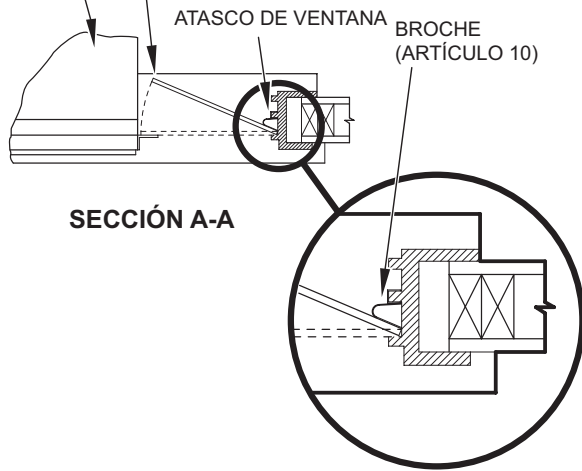
FRR021

# Instalación de Ventanas Estándar continuado

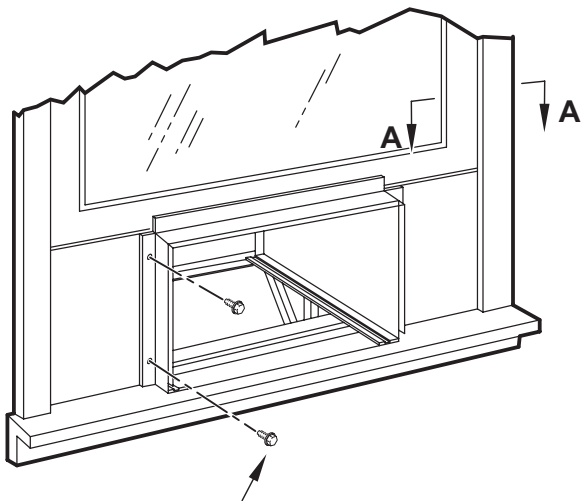
Figura 66

ARRIBA DEL GABINETE

COLOQUE EL TABLÓN DEL PANEL EN EL ATASCO DE LA VENTANA PARA COMPRIMIR LOS RESORTES ADENTRO DE LA CORREDERA, Y PONGA LOS PANELES DEL TABLÓN EN EL LUGAR INDICADO.



SECCIÓN A-A

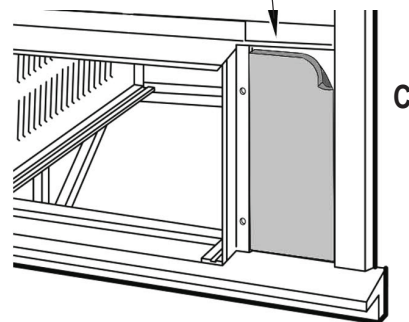
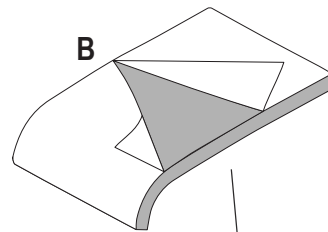
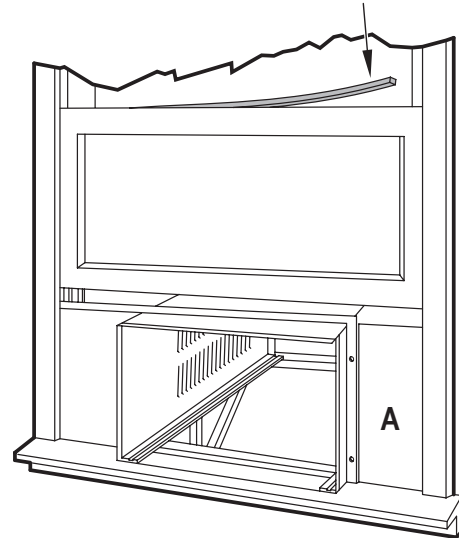


ASEGURE EL PANEL DEL TABLÓN DEL LADO A LOS ANGULOS DEL LADO CON CUATRO TORNILLOS DE #8 x 1/2" TORNILLOS LARGOS (ARTÍCULO 11), DOS EN CADA LADO

FRR022

Figura 67

INTRODUCIR LA JUNTA DEL SELLO DE LA VENTANA DE ESPUMA (ARTÍCULO 12)



SECCIÓN B-B

FRR023



# Instalación de Ventanas Estándar continuado

**OPCIONAL:** La fábrica manufactura el cable de alimentación para que salga a la izquierda de la unidad. Si el cliente lo requiere, el cable se puede dirigir para que salga del lado derecho. Para hacer esto, jale el cable a través de las presillas estrechamente. (Refiérase a cambio del enrutamiento de cable, vea la Figura 70) y dirige hacia abajo.

**PASO 14.** Para fijar y prevenir daños en la rejilla delantera, alinee la ranura del cordón por encima del cable y de la rejilla de aire fresco, luego alinee y apriete los 4 tornillos cautivos según lo indicado por las flechas en la Figura 69. Antes de cerrar el panel frontal asegúrese de que el filtro esté en su lugar y asegúrese de no bloquear las cortinas de las tomas de aire laterales.

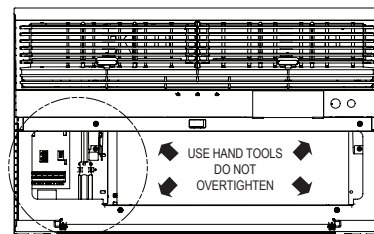
**PASO 15.** Refiérase a la sección de la operación del panel de control para instrucciones.

Ya puede controlar el nivel de comodidad de la habitación.

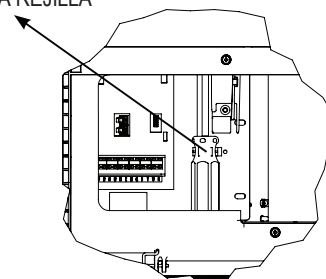
## Utilice la herramienta suministrada

Por favor, utilice la herramienta suministrada para ajustar la tapa decorativa al chasis.

Figura 69

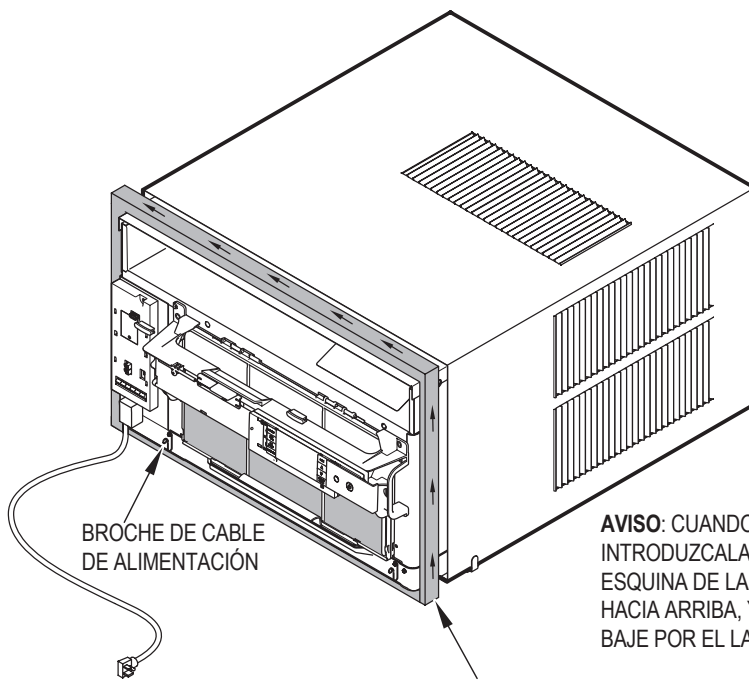


UBICACIÓN DE LA HERRAMIENTA DE RETIRO DE LA REJILLA



FRR053

Figura 68



BROCHE DE CABLE DE ALIMENTACIÓN

JUNTA DE SELLO DEL CHASIS (ARTÍCULO14)

**AVISO:** CUANDO INSTALE LA JUNTA, INTRODÚZCALA A TRAVÉS DE CUALQUIER ESQUINA DE LA PARTE INFERIOR, Y CONTINUE HACIA ARRIBA, Y LUEGO HACIA ABAJO Y LUEGO BAJE POR EL LADO OPUESTO.

FRR024

# Cambio de Ruta del Cables

## Desenchufe la unidad

### ⚠ ADVERTENCIA



#### Peligro de choque eléctrico

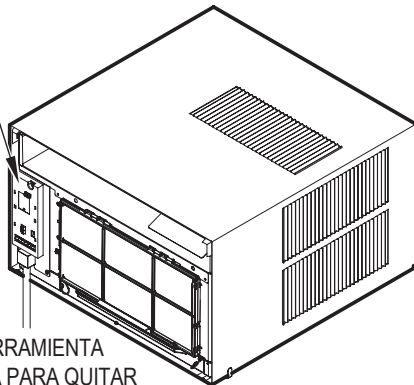
Asegúrese de que su enchufe tenga la misma configuración eléctrica que el acondicionador de aire. Si es diferente, consulte a un electricista autorizado. No utilice adaptadores de enchufe. No utilice un cable de extensión. No quite la clavija de tierra.

Siempre conecte a un enchufe de tres clavijas. El no cumplir con estas instrucciones se puede ocasionar la muerte, un incendio o un choque eléctrico.

Se puede cambiar la dirección del cable de alimentación si sigue las siguientes instrucciones. Elija la ubicación del cable dependiendo de su proximidad al enchufe.

Figura 70

PANEL DE CONTROL ELÉCTRICA



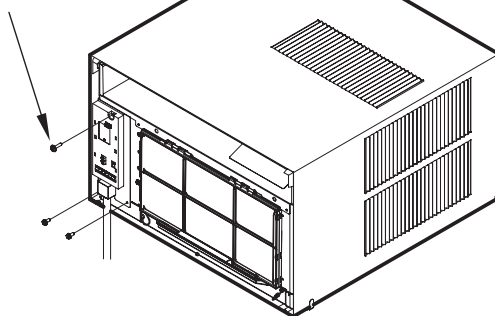
**AVISO:**  
UTILICE LA HERRAMIENTA SUMINISTRADA PARA QUITAR LA TAPA DECORATIVA. (VEA FIGURA 69 POR LA UBICACIÓN).

FRR054

Quite los tres tornillos del panel de control eléctrico, apártelos para reinstalarlos después.

Figura 71

(3) TORNILLOS DEL PANEL DE CONTROL ELÉCTRICO.

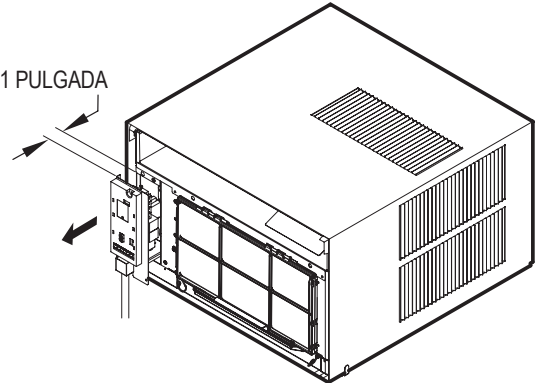


FRR055

PASO 16. Cuidadosamente saque (no completamente) el panel de control eléctrico de 1".

Figura 72

1 PULGADA



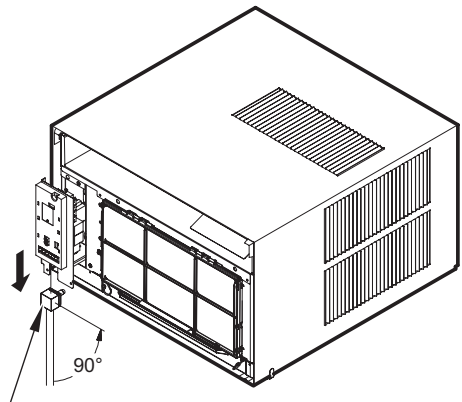
FRR056

PASO 17. Jale al conector del cable eléctrico hacia abajo, y luego girar a un ángulo de 90 grados.

Figura 73

CONECTOR DEL CABLE ELÉCTRICO

90°



FRR057

PASO 18. Empuje el alivio de tensión de cable hacia arriba en el panel de control eléctrico.

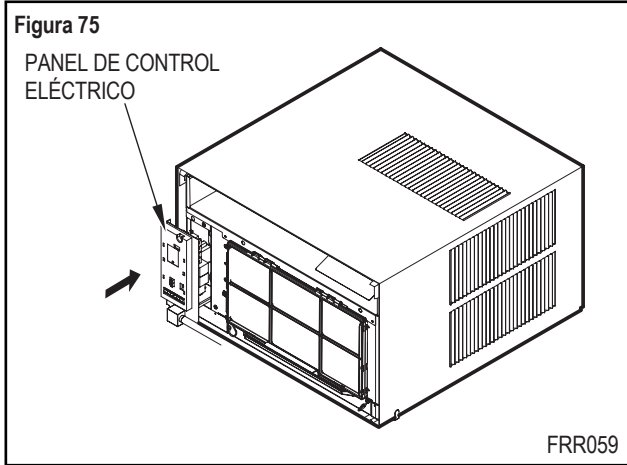
Figura 74

ASEGÚRESE QUE EL CONECTOR DEL CABLE ESTE CERCA DE LA PARTE SUPERIOR DEL PANEL DE CONTROL ELÉCTRICO.

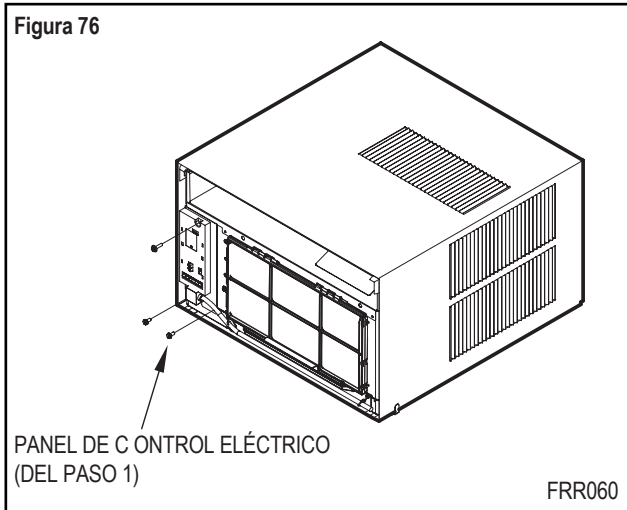
FRR058

# Cambio de Ruta del Cables continuado

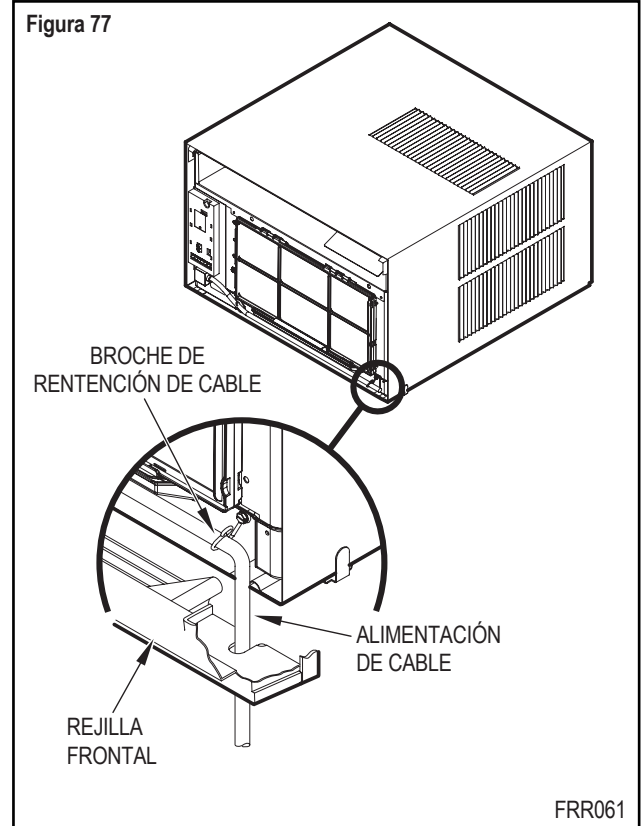
**PASO 19.** Cuidadosamente introduzca el panel de control eléctrico en el chasis.



**PASO 20.** Reinstale los 3 tornillos para asegurar el panel de control eléctrico.



**PASO 21.** Si utilizara el cable de alimentación hacia el lado derecho de la unidad, instale el cable en la retención de cable en la parte debajo de la unidad.



# Instalación en la Pared

## ⚠ PRECAUCIÓN



### Peligro de caída de objetos

No seguir las instrucciones de instalación para el montaje de su aire acondicionado puede causar daños a la propiedad, lesiones o muerte.

Las siguientes instrucciones se aplican a la madera, mampostería, ladrillo, concreto o bloques de hormigón.

**PASO 1.** Las instrucciones para la instalación de ventana estándar, empiezan en la Pagina 29. Sigue los pasos 1, 2, 3 y 4.

**PASO 2. PREPARACION DE GABINETE** – Quite los tornillos y tuercas del alféizar del gabinete (Figura 78). Asegurese que el retenedor del chasis se fije con una tuerca y tornillo del lado derecho (Detalle A, Figura 78). Doble las puntas del alféizar hacia adentro de su casa; o corte los (Detalle B, Figura 78) Gire el alféizar 180 grados (Detalle B, Figura 78) y reinstale. Voltee la orientación de los tornillos y tuercas, para que la cabeza de los tornillos estén en el inferior del gabinete (Detalle C, Figura 78). Asegure que el retenedor del chasis se instaló como se muestra en los detalles.

## AVISO

NO BLOQUEE las rejillas de entrada de aire del condensador del gabinete exterior con paredes gruesas.

**PASO 3. PREPARACION DE PARED** – El tamaño de modelo que se instalará determina la anchura máxima de pared permitida sin la construcción especial. Observe la anchura máxima en Figura 79. Si la anchura de la pared es más que lo que se permite en la tabla, se debe alterar como se muestra en la Figura 79.

**PASO 4. REVISE EL CABLEADO Y LA PLOMERÍA** – Revise el Cableado y plomería del interior y exterior de la pared para asegurar que no se dañe nada cuando se construye el gabinete.

**PASO 5. ABERTURA DE CONSTRUCCIÓN** – Dependiendo del tamaño de su unidad, siga las dimensiones en la Tabla 3. Corte y enmarque la apertura de las dimensiones terminadas. Si la pared es de marco típico o con chapas de piedra en pared de ladrillo de 2" x 4" coloque la apertura junta a uno de los soportes para paredes de mampostería, concreto, bloques de hormigón, coloque la apertura a su conveniencia (vea Figuras 80, 81, y 82).

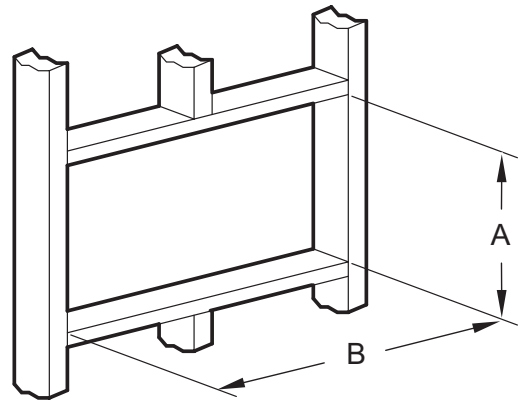


Tabla 3

DIMENSIONES TERMINADAS	CHASIS CHICO	CHASIS MEDIANO	CHASIS GRANDE
A	16 <sup>3</sup> / <sub>16</sub> "	18 <sup>3</sup> / <sub>16</sub> "	20 <sup>3</sup> / <sub>8</sub> "
B	26 <sup>3</sup> / <sub>16</sub> "	26 <sup>3</sup> / <sub>16</sub> "	28 <sup>1</sup> / <sub>4</sub> "

**AVISO:** Estas medidas son para el tamaño final de la abertura.

# Instalación en la Pared continuado

Figura 78

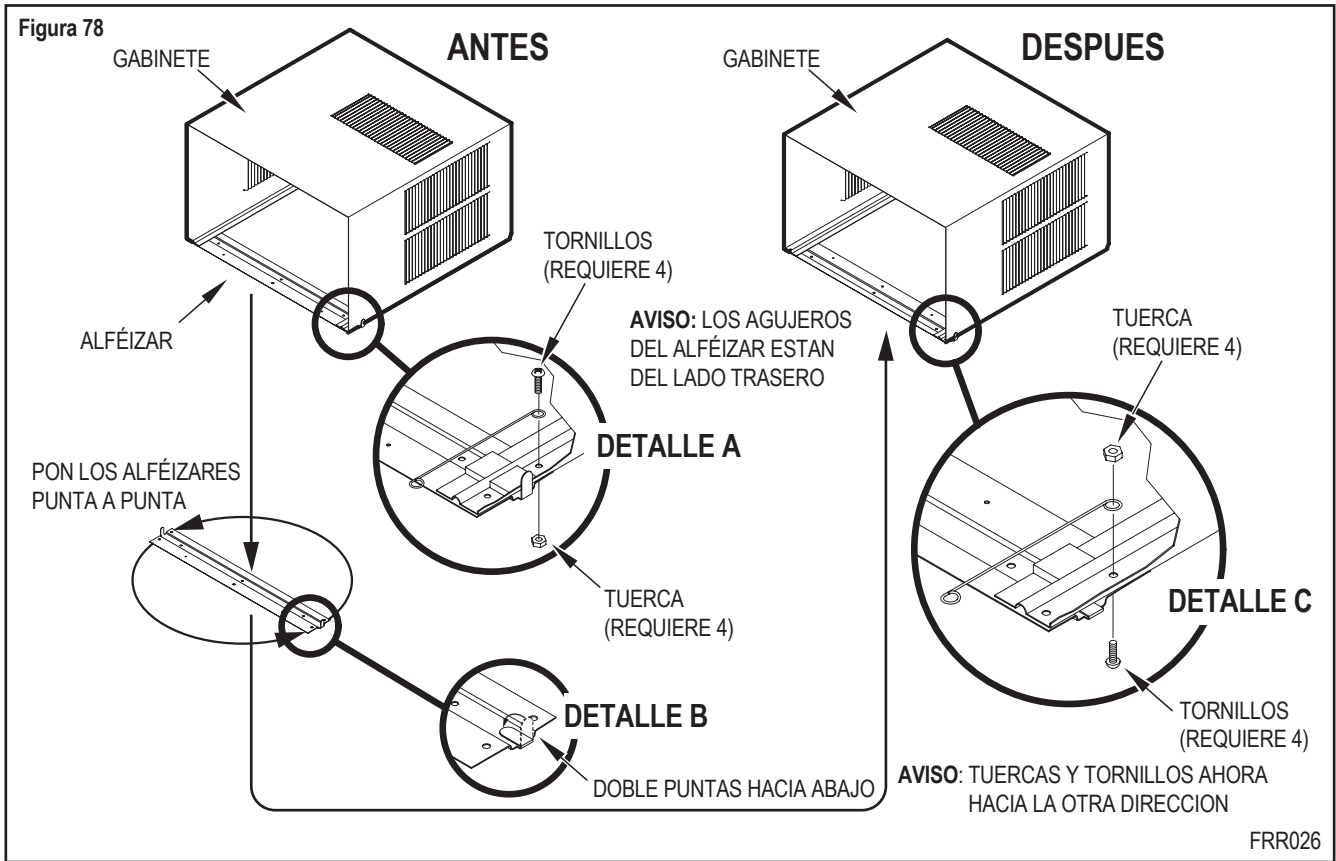
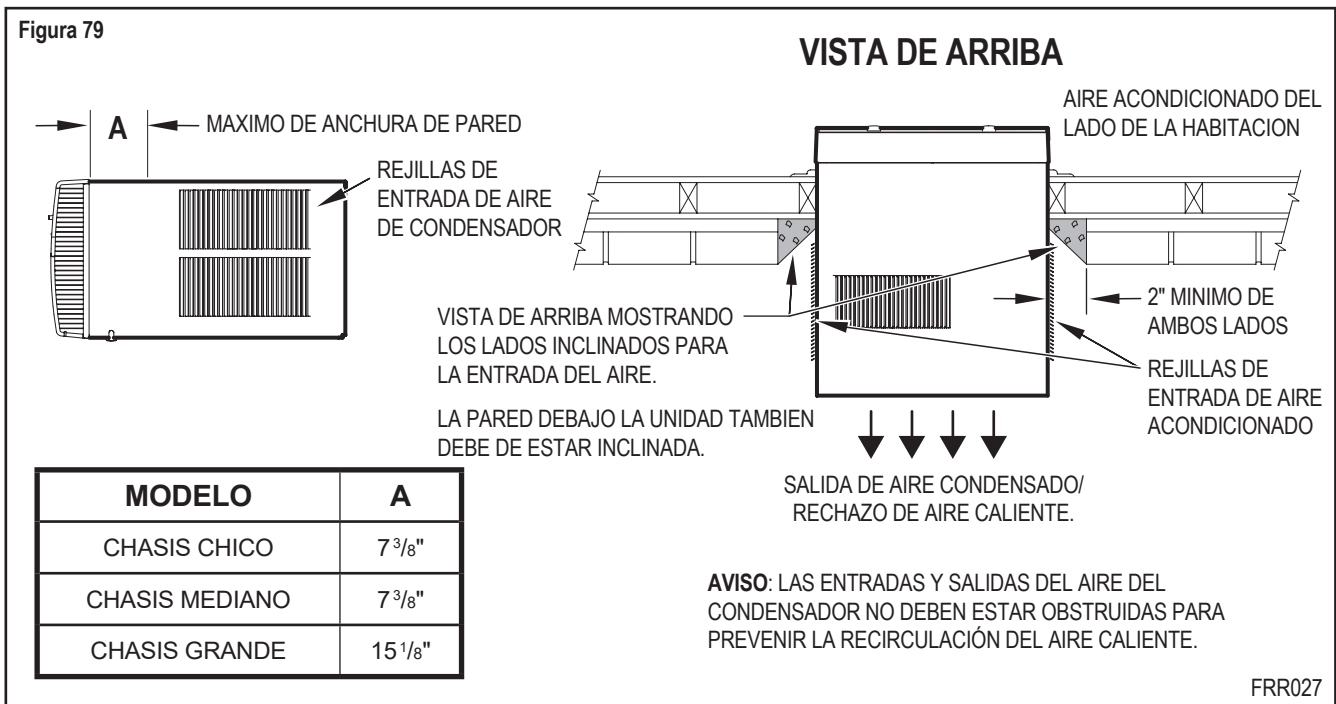
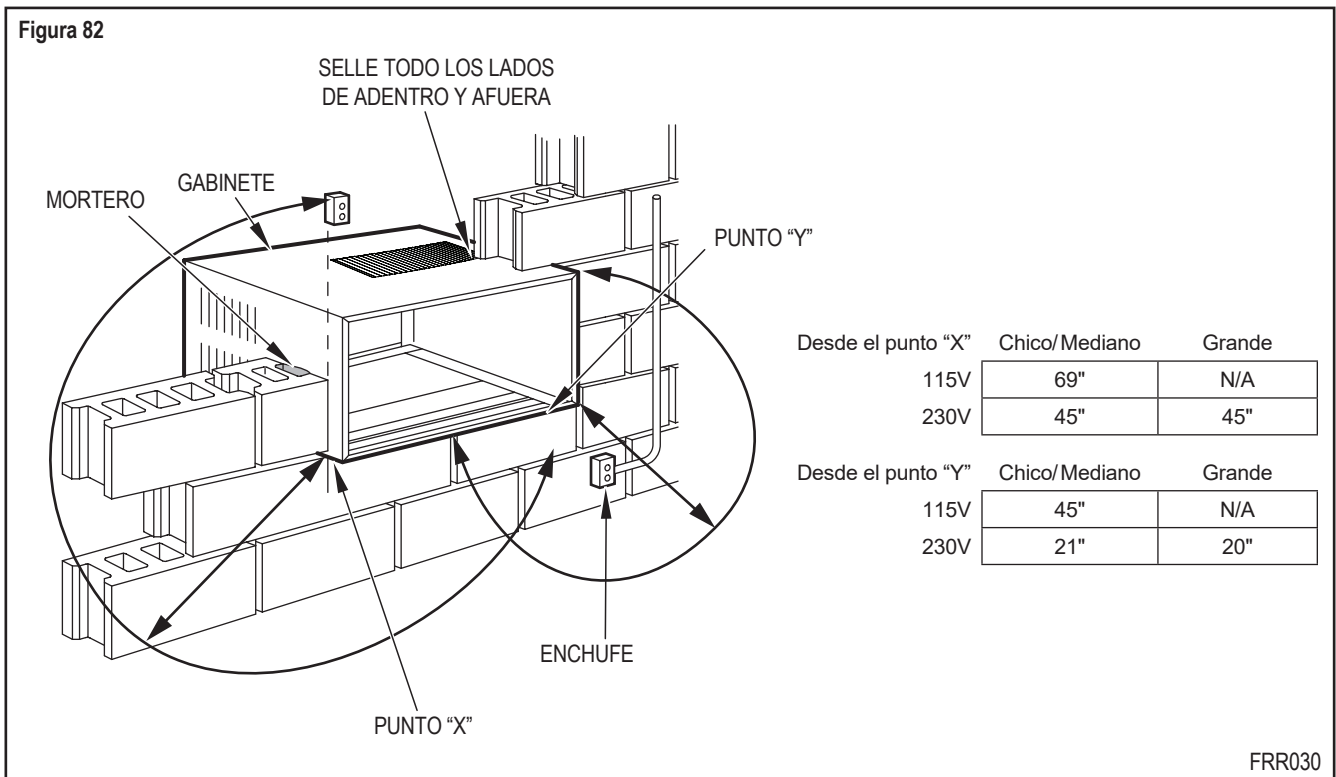
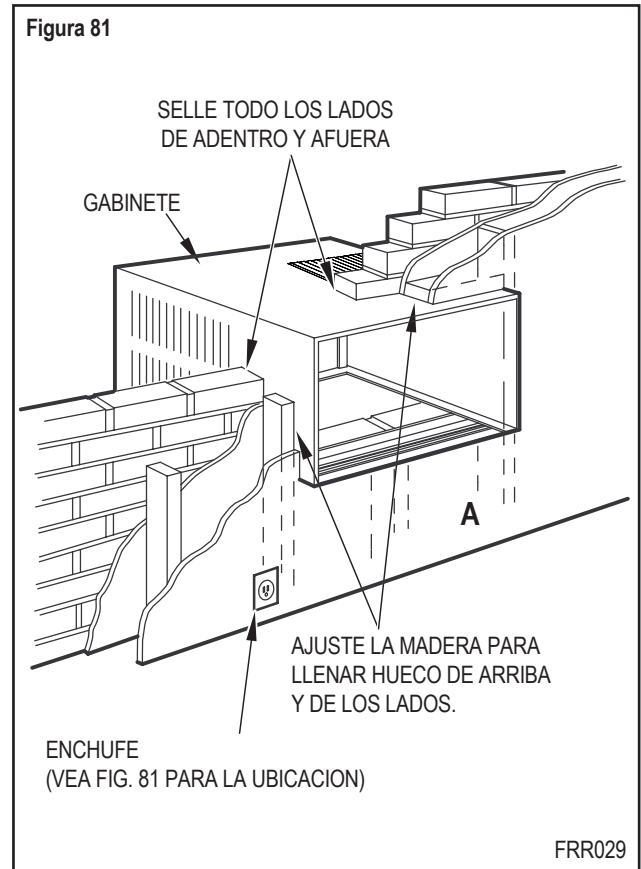
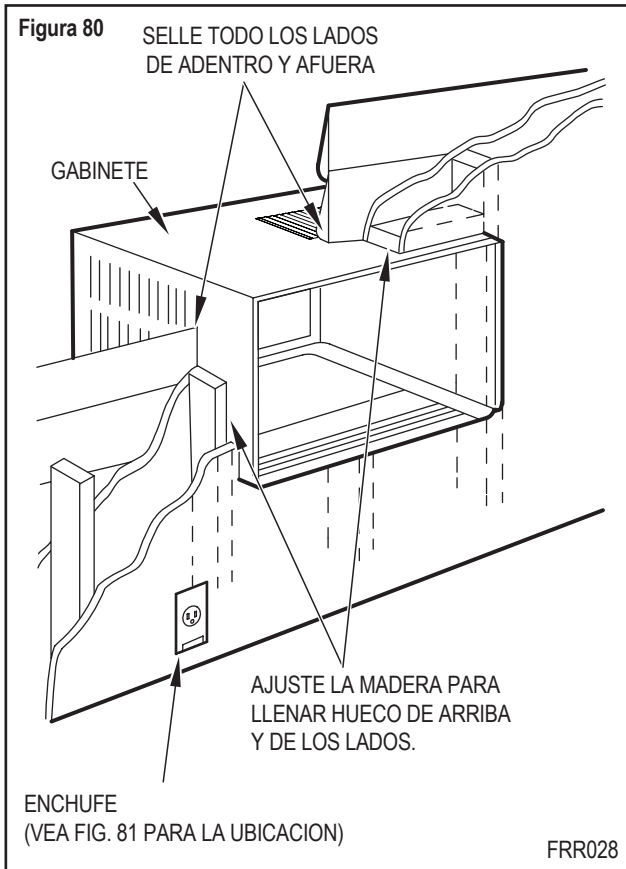


Figura 79



# Instalación en la Pared continuado



# Instalación en la Pared continuado

**PASO 6.** Introduzca el gabinete en el hueco asegurando que haya suficiente espacio para que la guía canal del alfeizar haga contacto con la superficie de la pared interior (Figura 83).

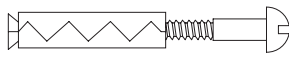
**PASO 7.** Taladre tres (3) agujeros de  $\frac{5}{32}$ " de diámetro en el marco (utilice los agujeros del agujeros del alfeizar como guía) e instale tres (3) tornillos largos #12 x 2" (Artículo 4) (Figura 83).

**AVISO:** Se requiere presillas alternas para el alfeizar o ménsulas de soporte a un material que no sea madera (bloques de hormigón, ladrillo, mampostería, o concreto). Estos artículos se pueden comprar en cualquier ferretería.

**AVISO:** NO DEBE DE NIVELAR el gabinete del frente hacia atrás. Asegura que haya aproximadamente  $\frac{3}{8}$ " a  $\frac{1}{2}$ " de inclinación ( $\frac{1}{8}$ " a  $\frac{1}{4}$ " de burbuja en el nivel) hacia el exterior de la casa.

**PASO 8.** Taladre dos (2) agujeros de  $\frac{5}{32}$ " en diámetro en cada lado del gabinete en las ubicaciones indicadas (Figura 83) e instale cuatro (4) tornillos de #12 x 2" tornillos (Artículo 4). Asumiendo que en Paso 5 (construcción del agujero) se construye un montaje fuerte con soportes verticales, las ménsulas de soporte no se ocuparan. La instalación de soportar el peso de la unidad mas 400 libras adicionales en el trasero del gabinete. Si tiene ménsulas de soporte se pueden instalar como en la Figura 83 (Artículo 1).

**PASO 9.** Sigues los Pasos 12 a 15 en la Página 35 de "La instalación de ventana estándar" para completar la instalación.

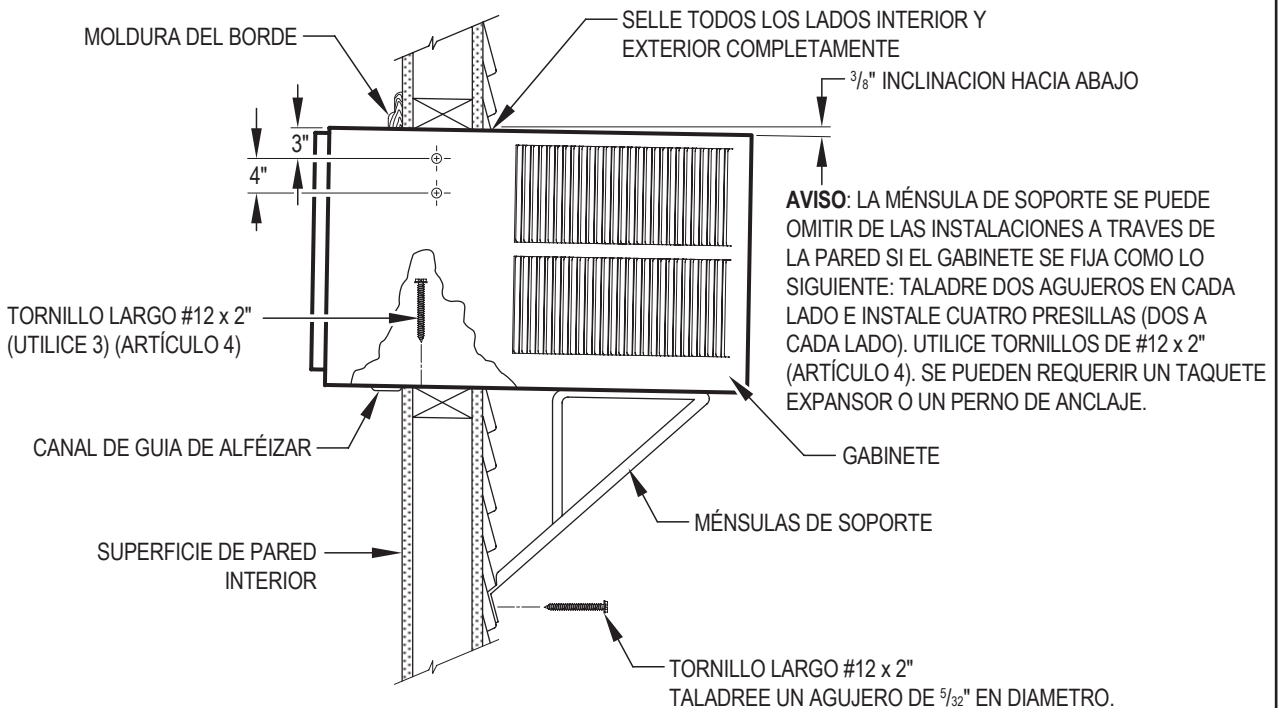


TAQUETE EXPANSOR



PERNO DE ANCLAJE

Figura 83



FRR031



# Lista de Verificación de Inspección Final y Puesta en Marcha

- ◆ Revise y asegure que todos los componentes y accesorios han sido instalados correctamente y que no se han dañado durante la instalación.
- ◆ Revise los desagües de agua de condensado para asegurar que son adecuados para la eliminación del agua de condensado.
- ◆ Asegurese que todas las instrucciones de instalación relacionados a los espacios alrededor de la unidad se han cumplido. Revise para asegurar que el filtro de aire de la unidad, bobina interior y exterior estén libres de obstrucciones.
- ◆ Asegure que el disyuntor o fusible y el tamaño del cableado de circuito estén del tamaño correcto. Si la unidad recibe electricidad de un cable de alimentación, asegure que este guardado apropiadamente.
- ◆ Asegurese que la instalación cumple con los códigos nacionales y locales y que las ordenanzas tengan jurisdicción.
- ◆ Fije bien los componentes y accesorios, como la tapa decorativa.
- ◆ Inicie la unidad y revise que todo los componentes trabajen en cada modo de operación.
- ◆ Revise la Rutina de Mantenimiento del fabricante.

**AVISO:** Se recomienda mantener un registro de las fechas de mantenimiento y / o servicio.

- ◆ Presente el equipo, el manual de Instalación y Operación, todas las instrucciones de instalación y el número, dirección y teléfono de la Compañía de Servicio autorizada por Friedrich en el área correspondiente para futuras referencias si es necesario. Servicio de Garantía Autorizado de Friedrich local para referencia, si es necesario.

## Este es un aparato de clima tibio

Su aire acondicionado esta diseñado para enfriar en clima tibio, cuando la temperatura exterior esté a más de 60 °F (15.6 °C) y menos de 115 °F (46.1 °C), para que no enfríe una habitación si esta fresco afuera. Si quiere enfriar una habitación en la primavera o en otoño, seleccione el modo de solo abanico **FAN ONLY** y ponga el control de Aire Fresco/ Escape de aire a aire fresco. Esto traerá el aire fresco exterior hacia el interior.

## Condensacion es normal

Aires acondicionados sacan el calor y la humedad de la habitación hacia afuera. La humedad se convierte a agua, y su aire acondicionado utilizara la mayoría de esa agua para mantener el serpentín exterior fresco. Si hay humedad en exceso, puede ver agua que gotea afuera. Esto es normal.

## Escarcha

Esto usualmente ocurre porque no hay suficiente circulación del flujo de aire en los serpentines, un filtro sucio, clima húmedo y fresco, o todo de estos. Coloque el modo del sistema a solo abanico **FAN ONLY** y la escarcha se desaparecerá. Si programa el termostato a una temperatura más caliente probablemente impedirá que la escarcha ocurra otra vez.

## Ruidos

Todos los aires acondicionados hacen ruido. Las unidades de Friedrich están diseñadas para operar lo mas silencioso posible. Una unidad montada en pared es mas silenciosa que una montada en una ventana. Es importante asegurarse que la junta del sello del chasis (Artículo 13) se instale correctamente (refiérase al las instrucciones de instalación).

## Las bombas de calor funcionan de manera diferente

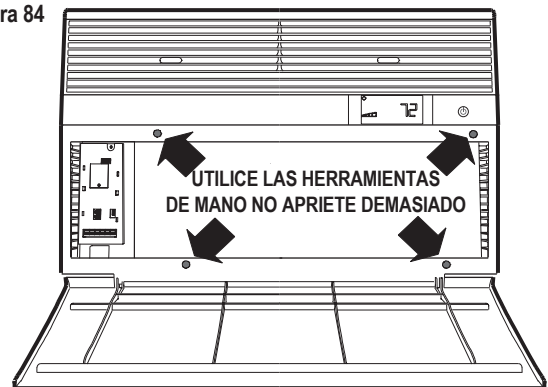
Hay algunas cosas que usted debe estar al tanto si su unidad es de modelo "KH", o de bomba de calor. Unas funciones de una bomba de calor son diferentes cuando su unidad esté calentando:

1. Es normal que se forme hielo en el serpentín exterior de la bomba de calor. El hielo se forma por la humedad en el aire exterior cuando pase sobre el serpentín frío.
2. Si la temperatura exterior baja a menos de 37 °F (3 °C), la bomba de calor automáticamente encenderá el calor de la resistencia eléctrica. Cuando sube la temperatura a 40 °F (4 °C), el compresor reiniciará la operación de la bomba de calor. La unidad de modelo de 115 v (KHS10), no tiene una característica de resistencia eléctrica, esta diseñado por el uso en climas mas tibios, y no suministrará suficiente calor para temperaturas más bajas menos de 37 °F (2.8 °C).

## Procedimiento de cambio de la batería del Panel de control

Afloje los cuatro (4) tornillos para quitar la rejilla (Figure 84). En la esquina izquierda de arriba, quite un tornillo de la puerta de la batería (vea Figura 85). Quite y reemplace la batería (CR2450). Reinstale la puerta de la batería. Alinear la rejilla y apretar los cuatro tornillos. Antes de cerrar la puerta del panel de la rejilla, revise el filtro. Limpie o reemplace si es necesario.

Figura 84



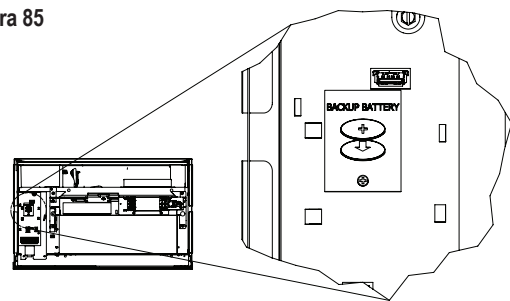
1. UTILICE LAS HERRAMIENTAS CUANDO INSTALE Y quite el panel frontal. **NO DEBE DE APRETAR LOS TORNILLOS DEMASIADO.**



2. CUANDO quite el panel frontal SIGA TODAS LAS ADVERTENCIAS Y DESCONECTE LA ELECTRICIDAD.

FRR010

Figura 85





# Mantenimiento de Rutina

Para asegurar la operación máxima, los filtros de aire se deben de limpiar mensualmente, y más seguido si se requiere. Debe de apagar la unidad antes de limpiar los filtros.

## Para quitar, lavar y reemplazar el filtro

Baje el panel frontal (vea Figura 2). Para sacar el filtro de su retenedor utilice las agarraderas en el filtro, quite de la unidad (vea Figura 3). Limpie el filtro mensualmente o mas frecuente si se requiere. Refiérase a la sección de accesorios para las opciones del filtro.

## Bobina y Chasis

**AVISO:** No utilice productos de limpieza cáusticos en los serpentines o en la bandeja. Utilice un producto biodegradable para limpiar y un desengrasante. La utilización de productos fuertes pueden deteriorar las laminas de aluminio o los tubos de cobre del serpentín.

Los serpentines interiores y exteriores y la bandeja se deben revisar periódicamente anual o semi-anual) y limpie todos los desechos (de pelusa, polvo, hojas, papel, etc.) como se requiere. Bajo condiciones más extremas, la limpieza mas frecuente se puede requerir. Limpie los serpentines y bandeja con un cepillo suave, aire comprimido, o una aspiradora. Una lavadora de presión también se puede utilizar, pero debe de tener cuidado en no doblar las laminas de aluminio. Cuando limpie los serpentines a presión mueva la dirección del chorro de agua en dirección vertical en el sentido de las láminas de aluminio hacia arriba y abajo.

**AVISO:** Es muy importante asegurarse de que ninguna de las piezas eléctricas de la unidad se mojen. Asegúrese de tapar todos los componentes electrónicos para protegerlos del agua.

## Tapa frontal Decorativa

Para limpiar el área de control utilice un trapo húmedo, para prevenir que entre agua a la unidad y dañe el control eléctrico. La tapa frontal decorativa y el gabinete se pueden limpiar con agua tibia y un detergente suave. NO DEBE de utilizar disolventes o limpiadores a base de hidrocarburos como la acetona, nafta, gasolina, benceno, etc. El serpentín interior se puede limpiar con el cepillo que viene con la aspiradora. NO DOBLE LAS LAMINAS. Si tiene acceso al serpentín exterior, se puede limpiar con una manguera. Puede contactar a su distribuidor para una limpieza más profunda. El filtro de aire se debe revisar y limpiar semanalmente si es necesario, con el adjunto de polvo que viene con la aspiradora o con agua tibia y con un detergente suave. Seque el filtro completamente antes de reinstalar. Tenga cuidado, la superficie de la bobina puede estar filosa.

## Motor de abanico y compresor

El motor del abanico y el compresor están lubricados permanentemente, y no requieren lubricación adicional.

## Marco

Periódicamente revise el interior del marco y del sistema de desagüe (anual o semi-anual) y limpie como vea necesario. Bajo condiciones más extremas, Limpiar la unidad más seguido puede ser requerido. Limpie el marco y el sistema utilizando un limpiador antibacterial y antihongos y enjuague. Asegurese que las salidas del drenaje estén trabajando correctamente. Revise el sello alrededor del marco y selle las áreas necesarias.

# Servicio y Asistencia

Antes de llamar por asistencia, por favor revise la sección de "Sugerencias para problemas frecuentes" en las páginas 46 y 47. Esto le podrá ayudar a resolver su problema, evite llamadas innecesarias, y ahorre el costo de la llamada si el problema no está relacionado con el producto. Si ya reviso los "Problemas frecuentes" y todavía requiere asistencia, siga las siguientes direcciones:

Puedes encontrar el nombre de su proveedor de Servicio Autorizado en la página [www.friedrich.com](http://www.friedrich.com).

## Si requiere mas asistencia

Puedes llamar el Centro de llamadas de atención al cliente **1-800-541-6645**.

Antes de llamar, asegurese que tenga el numero de modelo, número de serie y la fecha de compra de su unidad disponible. Con esta información, le podríamos ayudar mejor.

## Nuestros especialistas le pueden ayudar con:

- ◆ Especificaciones y características de nuestro equipo.
- ◆ Referencias a los distribuidores.
- ◆ Información de uso y cuidado.
- ◆ Procedimientos de mantenimiento recomendados.
- ◆ Información de instalación.
- ◆ Referencias a los proveedores de servicios autorizados y depósitos.

## Available Accessories

### DC-2 Estuche de Drenaje – Num. 01900235

En algunas instalaciones, el exceso de agua de condensación es causada por las condiciones extremadamente húmedas, y puede resultar en el goteo indeseable. El MODELO DC-ESTUCHE DE DRENAJE (Num. 01900-235) se puede instalar para drenar el exceso de condensación hacia otra ubicación.

## Estuche de filtro de carbón

Los estuches varían dependiendo del tamaño del chasis (chico, mediano, grande). Cada estuche contiene tres (3) filtros.

- KWCFS** – Estuche de filtro de carbón para modelos de chasis chico.
- KWCFM** – Estuche de filtro de carbón para modelos de chasis mediano.
- KWCFL** – Estuche de filtro de carbón para modelos de chasis grande.

## FriedrichLink™ accesorio adaptador

**KWIFI** – FriedrichLink™ Accesorio adaptador para control inalámbrico y opciones de programación adicionales.

## Kits de panel frontal de color decorativo

Los kits varían según el tamaño del chasis (chico, mediano, grande).

- KWBGE(C/M/G)A** – C/M/G Cubierta frontal decorativa en beige clásico
- KWBLK(C/M/G)A** – C/M/G Cubierta frontal decorativa en negro ónix
- KWBLU(C/M/G)A** – C/M/G Cubierta frontal decorativa en azul cobalto
- KWPNK(C/M/G)A** – C/M/G Cubierta frontal decorativa en rosa diamante
- KWRED(C/M/G)A** – C/M/G Cubierta frontal decorativa en rojo oscuro
- KWWHT(C/M/G)A** – C/M/G Cubierta frontal decorativa en diseñador blanco

## Estuches de instalación de ventana (Estándar en modelos Kühl sin calefacción)

- KWIKS** – Para todos los modelos KES y KHS.
- KWIKM** – Para todos los modelos KEM y KHM.
- KWIKL** – Para todos los modelos KEL y KHL.

Visite [www.friedrich.com](http://www.friedrich.com) para accesorios adicionales para su unidad.

# Consejos Para Solucionar Problemas

QUEJA	CAUSA	SOLUCIÓN
La unidad no funciona.	<ul style="list-style-type: none"> <li>La unidad está apagada, o el termostato está satisfecho.</li> </ul>	<ul style="list-style-type: none"> <li>Encienda la unidad, aumente y disminuya la temperatura (como vea necesario) para iniciar operación.</li> </ul>
	<ul style="list-style-type: none"> <li>El cable de alimentación de LCDI no esta conectado.</li> </ul>	<ul style="list-style-type: none"> <li>Conecte a un enchufe de tierra de tres clavijas. Vea "Tablas de Clasificación Eléctricas" en la Página 6 para el enchufe adecuado para su unidad.</li> </ul>
	<ul style="list-style-type: none"> <li>El cable de alimentación de LCDI ha fallado (el botón de RESET se ha salido).</li> </ul>	<ul style="list-style-type: none"> <li>Oprima y suelte RESET (escuche por el clic, el botón se queda adentro) para continuar el funcionamiento.</li> </ul>
	<ul style="list-style-type: none"> <li>El disyuntor ha fallado, o el fusible del circuito de alimentación se ha quemado.</li> </ul>	<ul style="list-style-type: none"> <li>Reinicie el disyuntor, o reemplace el fusible. Si el problema continua, llame a un electricista autorizado.</li> </ul>
	<ul style="list-style-type: none"> <li>La electricidad ha fallado localmente.</li> </ul>	<ul style="list-style-type: none"> <li>Cuando la electricidad este restaurada, la unidad continuará a su operación normal.</li> </ul>
La unidad tiene fallas con el disyuntor o quema fusibles.	<ul style="list-style-type: none"> <li>Otros aparatos están utilizando el mismo circuito.</li> </ul>	<ul style="list-style-type: none"> <li>La unidad requiere un circuito delicado, no debe de compartir con otros aparatos.</li> </ul>
	<ul style="list-style-type: none"> <li>Un cable de extensión se está utilizando.</li> </ul>	<ul style="list-style-type: none"> <li>No utilice un cable de extensión con este o cualquier otro aire acondicionado.</li> </ul>
	<ul style="list-style-type: none"> <li>El disyuntor o el fusible del retraso de tiempo no son de la clasificación apropiado.</li> </ul>	<ul style="list-style-type: none"> <li>Reemplace con un disyuntor o fusible de tiempo de retraso con la clasificación adecuada. Vea "Tablas de clasificación eléctrica" en la Pagina 6. Si el problema continua llame a un electricista autorizado.</li> </ul>
El cable de alimentación de LCDI (El botón de RESET se sale).	<ul style="list-style-type: none"> <li>El cable de alimentación de LCDI ha fallado (el botón de RESET se ha salido) debido a obstrucciones a su alimentación de electricidad.</li> </ul>	<ul style="list-style-type: none"> <li>Oprima y suelte RESET (escuche el clic, el botón se queda adentro) para continuar con el funcionamiento.</li> </ul>
	<ul style="list-style-type: none"> <li>Sobrecarga de electricidad, sobrecalentamiento o un corte en el cable (el botón de RESET se ha salido) pueden hacer que falle el cable de alimentación de LCDI.</li> </ul>	<ul style="list-style-type: none"> <li>Cuando el problema se ha determinado y resuelto, oprima y suelte RESET (escuche el clic, RESET se queda adentro) para continuar con la operación normal.</li> </ul>
	<p><b>AVISO:</b> Un cable de alimentación eléctrica se debe reemplazar con un cable nuevo del fabricante de la unidad, no se debe de reparar.</p>	
La unidad no enfria/calienta la habitación suficiente, o se encienda y apaga muy seguido.	<ul style="list-style-type: none"> <li>La rejilla de aire de retorno/descarga está bloqueada.</li> </ul>	<ul style="list-style-type: none"> <li>Asegúrese que los pasos al aire de retorno/descarga estén libres de obstrucciones (muebles, cortinas, etc.).</li> </ul>
	<ul style="list-style-type: none"> <li>Ventanas o puertas hacia el exterior están abiertas.</li> </ul>	<ul style="list-style-type: none"> <li>Asegúrese que las ventanas y las puertas estén cerradas.</li> </ul>
	<ul style="list-style-type: none"> <li>La temperatura no está ajustada correctamente (muy fresco o caliente).</li> </ul>	<ul style="list-style-type: none"> <li>Ajuste el control de la temperatura (aumenta/disminuye).</li> </ul>
	<ul style="list-style-type: none"> <li>El filtro está sucio o tiene obstrucciones.</li> </ul>	<ul style="list-style-type: none"> <li>Limpie el serpentín (vea mantenimiento de rutina) o quite la obstrucción.</li> </ul>
	<ul style="list-style-type: none"> <li>La bobina interior/ exterior está sucia o tiene obstrucciones.</li> </ul>	<ul style="list-style-type: none"> <li>Limpie la bobina (vea mantenimiento de rutina) o quite la obstrucción.</li> </ul>
	<ul style="list-style-type: none"> <li>Hay un exceso de calor o humedad en la habitación (cocinando, duchas, etc.).</li> </ul>	<ul style="list-style-type: none"> <li>Asegúrese de utilizar el ventilador de escape de aire cuando este cocinando, bañándose, o si es posible no utilice aparatos que producen calor en las horas más calientes del día.</li> </ul>
	<ul style="list-style-type: none"> <li>La temperatura de la habitación que quiere enfriar esta demasiada alta.</li> </ul>	<ul style="list-style-type: none"> <li>Permite tiempo adicional para que el aire acondicionado enfríe una habitación caliente.</li> </ul>

# Consejos Para Solucionar Problemas continuado

QUEJA	CAUSA	SOLUCIÓN
<p>La unidad no enfría/calienta la habitación suficiente, o se enciende y apaga muy seguido (continuo).</p>	<ul style="list-style-type: none"> <li>La temperatura exterior está a menos de 60 °F (16 °C).</li> </ul>	<ul style="list-style-type: none"> <li>No intente utilizar su aire acondicionado en el modo de enfriamiento (cooling) si la temperatura exterior está a menos de 60 °F (16 °C). La unidad no enfriará apropiadamente, y se puede dañar.</li> </ul>
	<ul style="list-style-type: none"> <li>El control digital está programado a un modo de ciclo de abanico y pueden resultar áreas calientes o frías.</li> </ul>	<ul style="list-style-type: none"> <li>Como el abanico no circula el aire de la habitación continuamente en este ajuste, el aire de la habitación no se mezcla tan bien. Se recomienda utilizar el ajuste de abanico de continuo (continuous fan) para obtener la máxima comodidad.</li> </ul>
	<ul style="list-style-type: none"> <li>El aire acondicionado no tiene la suficiente capacidad de enfriamiento para coincidir con el calor que aumentó en la habitación.</li> </ul>	<ul style="list-style-type: none"> <li>Revise la capacidad de enfriamiento de su unidad para asegurar que sea de tamaño adecuado para la habitación que lo ocupa. Los aires acondicionados de habitación no están diseñados para refrescar varias habitaciones.</li> </ul>
	<ul style="list-style-type: none"> <li>El aire acondicionado no tiene la suficiente capacidad de calefacción para coincidir con la disminución de calor en la habitación.</li> </ul>	<ul style="list-style-type: none"> <li>Revise la capacidad de calentamiento de su unidad. Aires acondicionados están diseñados para coincidir con la carga de enfriamiento, y el tamaño de la calefacción está diseñado para la carga de calentamiento. En climas extremos del norte, aires acondicionados de habitación no se podrán utilizar como el único método de calentamiento.</li> </ul>
<p>La unidad trabaja mucho.</p>	<ul style="list-style-type: none"> <li>Puede ser debido a una sobrecarga de calor en la habitación.</li> </ul>	<ul style="list-style-type: none"> <li>Si hay aparatos que producen calor en la habitación o si hay demasiada gente en la habitación, la unidad tendrá que trabajar más tiempo para disminuir el calor adicional.</li> </ul>
	<ul style="list-style-type: none"> <li>Puede ser debido a una unidad del tamaño inadecuado.</li> </ul>	<ul style="list-style-type: none"> <li>Asegurase de utilizar el ventilador de escape de aire cuando este cocinado, bañándose, o si es posible no utilice aparatos que producen calor en las horas más calientes del día.</li> </ul>
	<ul style="list-style-type: none"> <li>Puede ser normal para aires acondicionados de alta eficiencia (EER).</li> </ul>	<ul style="list-style-type: none"> <li>El uso de componentes de alta eficiencia puede resultar en que su unidad trabaje por más tiempo que el que debe. Esto puede ser más notable si acaba de reemplazar un modelo más antiguo o menos eficiente. El uso de energía actual, es menor que en otros modelos.</li> </ul>
	<ul style="list-style-type: none"> <li>Puede notar que el aire que sale de su nuevo aire acondicionado no se siente tan frío como puede estar acostumbrado con modelos anteriores. Esto no significa que la capacidad de enfriamiento es menor.</li> </ul>	<ul style="list-style-type: none"> <li>El ratio de la eficiencia de energía (EER) y la clasificación de la capacidad de enfriamiento (Btu/h) se podrán encontrar en la placa de clasificación de la unidad.</li> </ul>



# FRIEDRICH

**Friedrich Air Conditioning Company**  
10001 Reunion Place, Suite 500  
San Antonio, TX 78216

**1-800-541-6645**  
**www.friedrich.com**

## **AIRE ACONDICIONADO DE HABITACIÓN** **GARANTÍA LIMITADA** **EL PRIMER AÑO**

**CUALQUIER PIEZA:** Si cualquier pieza suministrada por FRIEDRICH falla debido a un defecto de fabricación o de material dentro de los doce meses a partir de la fecha original de compra, FRIEDRICH reparará el producto sin costo adicional, siempre cuando el aire acondicionado de la habitación esté accesible para servicio. El propietario será responsable de cualquier costo adicional de mano de obra para desinstalar unidades inaccesibles y/o cargos relacionados con los viajes de una agencia de servicio que excede de 25 millas. Esta garantía sólo será válida 12 meses después de la fecha de compra original.

## **SEGUNDO A QUINTO AÑO**

**SISTEMA DE ENFRIAMIENTO:** Si el sistema de enfriamiento (para este propósito se define como el compresor, serpentín de evaporador y del condensador, válvula de retorno, válvula de retención, capilar, filtro, secador, todas las tuberías de interconexión) suministrados por FRIEDRICH fallan debido a un defecto de fabricación o de material dentro de los sesenta meses a partir de la fecha original de compra, FRIEDRICH pagará un subsidio de mano de obra y las partes necesarias para reparar el sistema de enfriamiento, asumiendo que FRIEDRICH no pagará el costo del diagnóstico del problema, desinstalación, los gastos de flete y transporte del aire acondicionado a la Agencia de Servicio, y los cargos asociados con la reparación y la reinstalación del sistema de refrigerante sellado. Todos los gastos se harán de la exclusiva responsabilidad del propietario. Esta garantía sólo será válida 60 meses después de la fecha de compra original.

**APLICABILIDAD Y LIMITACIONES:** Esta garantía sólo es aplicable a las unidades dentro de los cincuenta estados de los EE.UU., Distrito de Columbia y Canadá. Esta garantía no se aplica a:

1. Filtros de aire o fusibles.
2. Productos en los que los números de modelo y de serie han quitado.
3. Los productos que tienen defectos o daños que son debidos a una mala instalación, cableado, corriente eléctrica, o mantenimiento; accidente, abuso, negligencia, mal uso, incendios, inundaciones, alteraciones, unidades instaladas en una atmósfera corrosiva, retraso en funcionamiento debidos a la guerra, restricciones del gobierno, huelgas, provocados por la escasez de materiales fuera del control de FRIEDRICH, o actos de Dios.

**OBTENIENDO RESULTADOS DE LA GARANTIA:** El servicio será suministrado por el distribuidor autorizado de servicio o la Organización de Servicio de FRIEDRICH en su área. Se podrán encontrar en las Páginas Amarillas. Si se requiere asistencia con la garantía, escriba a: Room Air Conditioner Service Manager, Friedrich Air Conditioning Co.

**LIMITACIONES:** ESTA GARANTÍA SE DA EN LUGAR DE CUALQUIER OTRA GARANTÍA. Cualquier objeto incluido en esta garantía, CUALQUIER GARANTÍA IMPLÍCITA PARA UN PROPÓSITO EN PARTICULAR Y/O MERCANTIL SERA LIMITADA POR LA DURACIÓN DE ESTA GARANTIA. EL FABRICANTE DECLARA EXPLICITAMENTE Y SE DESLINDA DE CUALQUIER RESPONSABILIDAD POR DAÑOS CONSECUENTES O INCIDENTALES POR INCUMPLIMIENTOS EN ACUERDOS DE CUALQUIER GARANTIA EXPLICITA O IMPLICITA.

**AVISO:** Algunos estados no permiten limitaciones en la duración de una garantía, o no permiten la limitación o exclusión de consecuencias o daños indirectos o incidentales; por lo que las exclusiones y las limitaciones anteriores no se aplicaran a usted.

**OTROS:** Esta garantía le da derechos legales específicos para que reciba servicios relacionados con la garantía.

**COMPROBANTE DE COMPRA:** El propietario debe entregar el comprobante de compra para poder recibir servicios de garantía.

Todas las llamadas de servicio para explicar el funcionamiento de este producto, será responsabilidad del consumidor.

La agencia de servicio autorizado de FRIEDRICH debe de dar servicio de garantía, o FRIEDRICH debe dar autorización antes que se haga la reparación.



## Chasis Estándar Kühl®

### Instalación de Prueba de Rendimiento y Método de Prueba

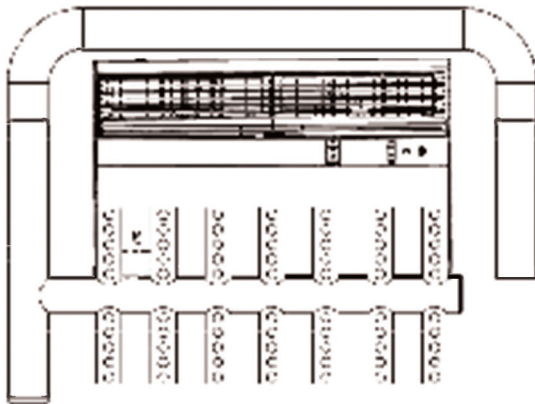
Las siguientes instrucciones solo se aplican a los procedimientos de prueba de laboratorio y no se aplican a la instalación y operación del producto real.

**ANSI/ASHRAE Standard 16-1983 (RA 2009)** El método de prueba para la calificación de los acondicionadores de aire de sala y los acondicionadores de aire de terminal empacados se debe cumplir al realizar pruebas para obtener capacidad de enfriamiento y calidad de flujo de aire para calificar esta unidad de aire acondicionado de sala.

La capacidad máxima de enfriamiento se debe lograr de acuerdo con las siguientes instrucciones:

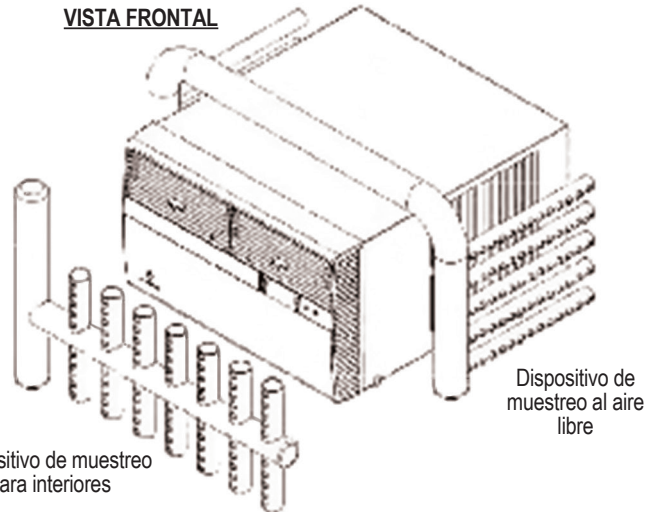
Para una capacidad y eficiencia máximas, se debe tomar una muestra de aire de 4 a 6 pulgadas de distancia de la entrada de la unidad. Ver imágenes abajo:

#### VISTA FRONTAL



Dispositivo de muestreo para interiores

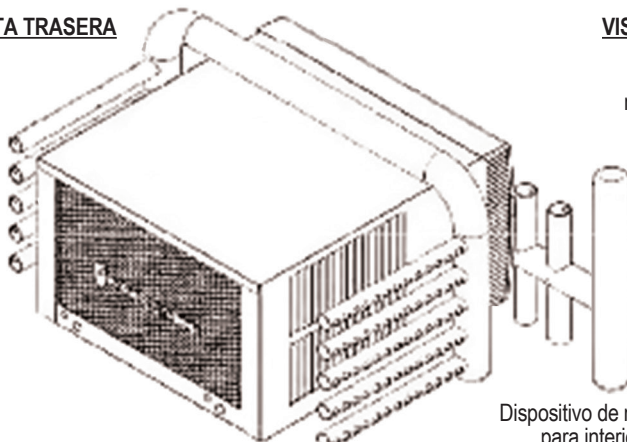
#### VISTA FRONTAL



Dispositivo de muestreo al aire libre

Dispositivo de muestreo para interiores

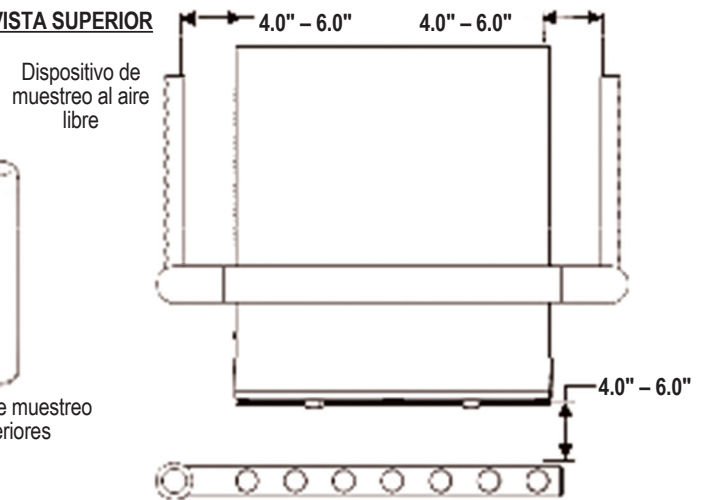
#### VISTA TRASERA



Dispositivo de muestreo al aire libre

Dispositivo de muestreo para interiores

#### VISTA SUPERIOR



Dispositivo de muestreo al aire libre

Dispositivo de muestreo para interiores

Los dispositivos de muestreo de aire interior y exterior deben cumplir con:  
ASHRAE 41.1-1986 (RA 2006) - Método para la medición de temperatura  
ASHRAE 41.6-1994 (RA 2006) - Método para la medición de propiedades de aire húmedo

**AVISO:** Las imágenes de la muestra son para fines de visualización y no para escalar.



## Chasis Estándar Kühl®

### Instalación de pruebas de rendimiento y método de prueba *continuado*

#### Instalación de la unidad de prueba

Según ANSI/ASHRAE Standard 16-1983 (RA 2009), section 4.2.2, este acondicionador de aire se instalará según las instrucciones especificadas en este Manual de instalación y operación.

#### Ajustes de la unidad de prueba

##### **Posición de la lumbreira:**

- Las persianas se mantendrán en posición empotrada (no extendida)
- Las lumbreiras deben estar centradas (no dirigidas hacia la izquierda o hacia la derecha) y apuntadas hacia arriba

##### **Velocidad del ventilador:**

- El ventilador se ajustará al ajuste de velocidad más alto
  - ALTO

##### **Operación del sistema:**

- La unidad estará operando en modo "Cool"

---

**ESTA PÁGINA SE DEJÓ EN BLANCO INTENCIONALMENTE**



Friedrich Air Conditioning Co.  
10001 Reunion Place, Suite 500 • San Antonio, Texas 78216  
1-800-541-6645  
[www.friedrich.com](http://www.friedrich.com)

Impreso en Mexico

93001015\_00