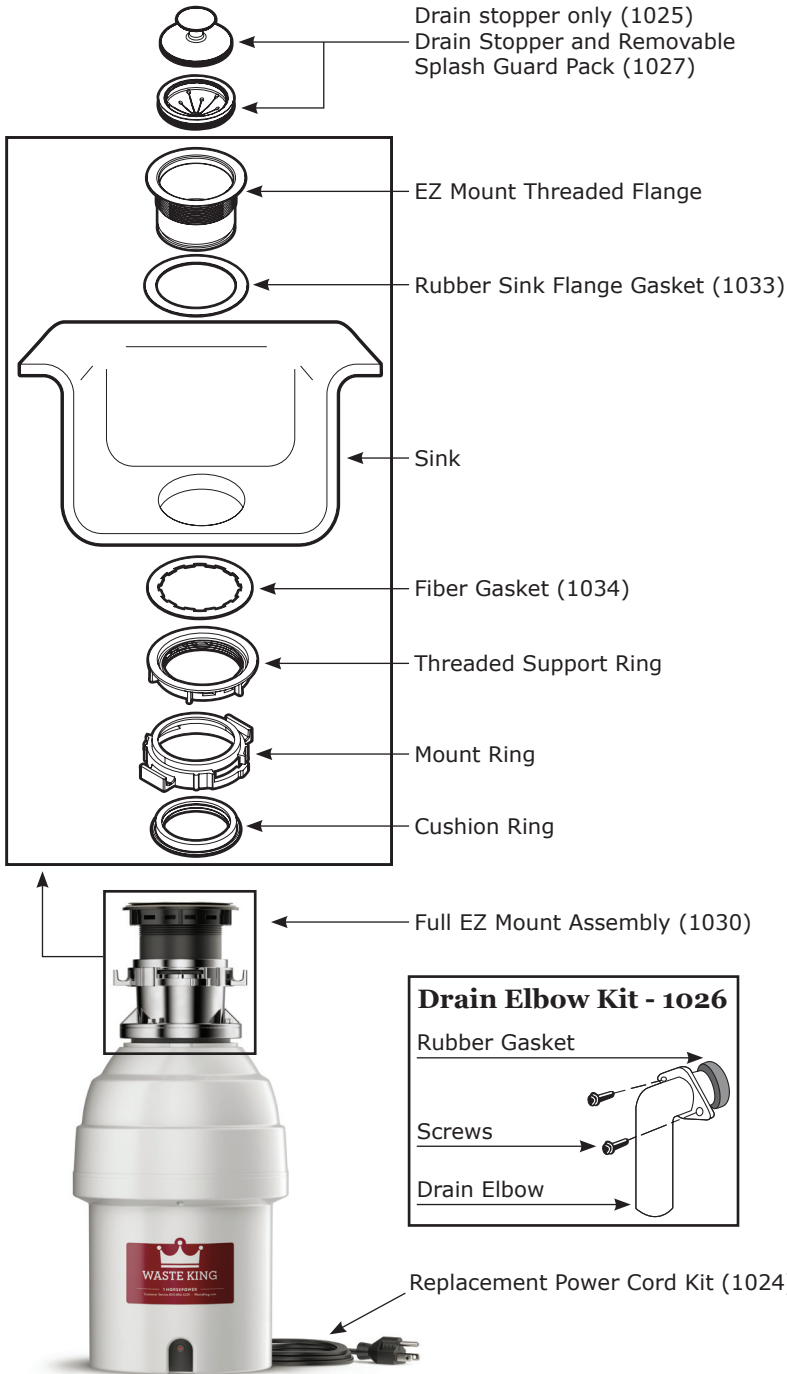
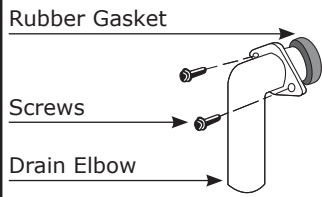


Illustrated Parts for L-8000TC

WASTE KING



Drain Elbow Kit - 1026



Other Available Accessories



Air Switch Remote Controller

- Installs into existing sink hole to operate disposer with plunger air switch.
- Perfect application for island countertops or where electrical switch is unavailable.
- No wiring connections or code restrictions.

Air Switch Base Unit

Air Switch Remote Controller	ARC-4200
Additional Air Switch Button Finish Options:	
Chrome	AS-4201-CH
Satin Nickel	AS-4201-SN
Polished Brass	AS-4201-BR
White	AS-4201-WH
Almond	AS-4201-AL
Biscuit	AS-4201-BIS

Dishwasher Connector Kit -
 (connects 1-1/4", 1" and 3/4" outside diameter
 dishwasher drain hoses to the dishwasher inlet)



1023

Unjamming Wrench



1037

Disposal purchase comes with all Included Parts,
 Other Available Accessories can be purchased separately

FOR MORE INFORMATION CALL: 1-800-854-3229
 WasteKing.com