



XOU24BWDDGS
UNDERCOUNTER COMBO
BEVERAGE CENTER & WINE COOLER



Zero clearance hinges
for a flush installation

Slide out racks and shelves

Intuitive digital touch controls
for two temperature zones

Secure door locks

24" UNDERCOUNTER COMBO UNIT

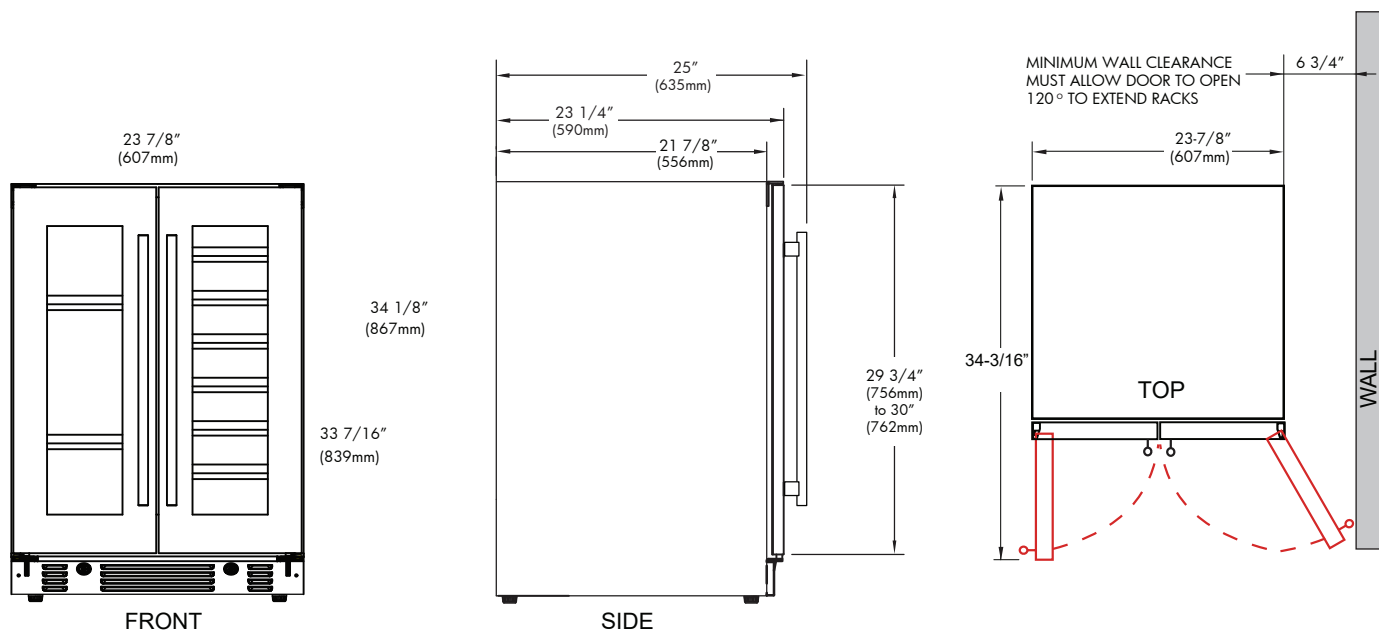
THE ULTIMATE IN CONVENIENT ENTERTAINING -YOUR FAVORITE VINTAGES
AND ICY COLD BEVERAGES READY TO SERVE, JUST WHERE YOU WANT THEM

Your XO French Door Combo Unit has the ability to store both wine at 41° to 64° F ready to serve and icy cold beverages from 34° to 50°F in the same compact system. Designed to fit under a counter and where ever your life takes you.

WORLD CLASS SERVICE | COMPREHENSIVE WARRANTIES

OUR LASTING COMMITMENT TO YOU





FEATURES

CAPACITY

Shelves and racks extend halfway and hold:
(60) 12oz cans at 34° to 50°F
(21) 750ml bottles at 41° to 64°F

FEATURES

- Zero clearance hinges for flush integration*
- Secure door lock
- Non- reversible door - specify right or left hinge
- Library quiet 39 dBA operation
- Elegant tri-color interior illumination
- Intuitive digital touch controls
- 6-1/2' Power Cord with low profile 90° flat plug
- Low E Glass blocks harmful UV light
- Alarm Functions
- Energy Saver and Sabbath Mode

* Note: zero clearance hinges are visible just above and below the door

SPECIFICATIONS

ELECTRICAL 120V 60HZ 4.35 AMP*

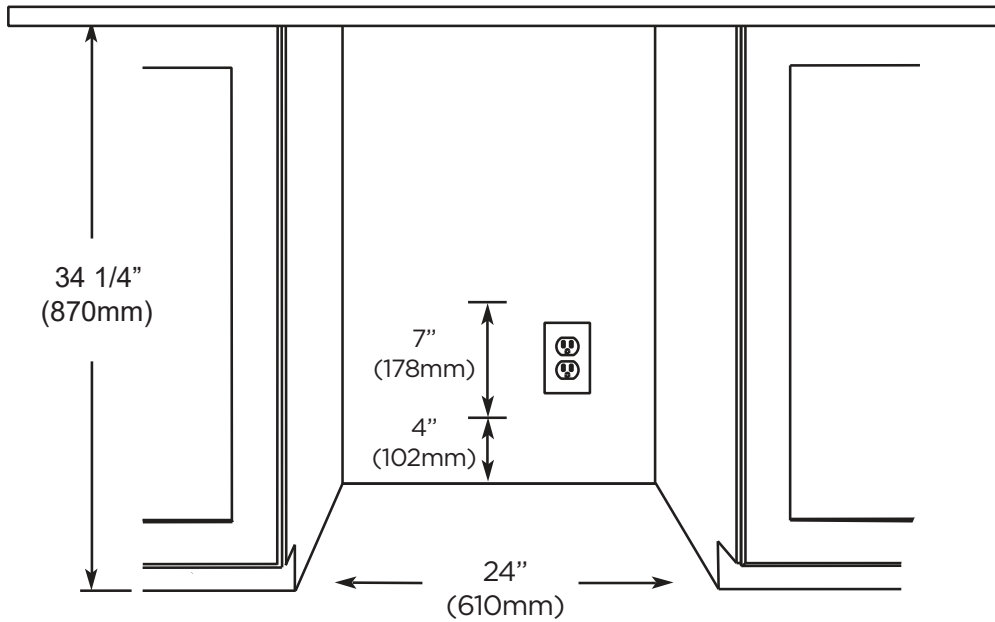
DIMENSIONS H 34 1/8"
W 23 7/8"
D 23 1/4"

ROUGH IN H 34 1/4" min
W 24"
D 24"

REFRIGERANT R600A



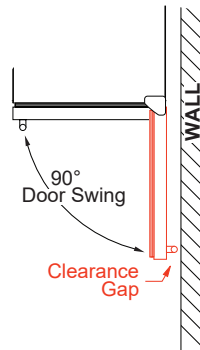
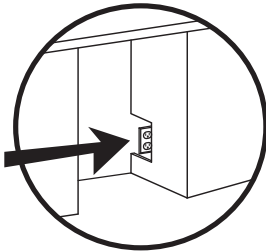
ROUGH IN DIMENSIONS



ALL XO UNDERCOUNTER
UNITS ARRIVE PRE-WIRED
WITH LOW PROFILE PLUGS
FOR EASY INSTALLATION



NEED MORE SPACE -
CUT INTO AN ADJOINING
CABINET TO REACH AN
OUTLET THERE



WHEN INSTALLING WITH
THE HINGE SIDE NEXT TO A WALL -
LEAVE 1-3/4" CLEARANCE GAP FOR
CABINET HANDLES

DOOR MUST BE ABLE TO OPEN
A MINIMUM OF 90°.

THE DOOR STOP IS SET AT 110°
BUT CAN BE RESET TO 90° OR 140°.

IF THE DOOR CANNOT OPEN FULLY
YOU CANNOT EXTEND THE SHELVES.

CONSULT THE MANUAL FOR
INSTRUCTIONS ON CHANGING
THE DOOR STOP SETTING.