

XO

PUT SOME AWESOME
IN YOUR BACKYARD

XOGPOWER60K

16" PRO GRADE LUXURY POWER BURNER

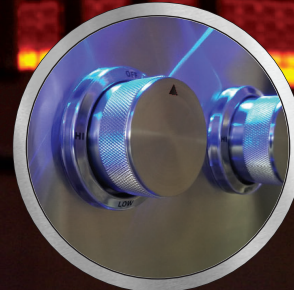
60K



More Power
in Less
Counter Space



Removable
WOK Ring



Powerful LED
control lights

YOUR XO PRO GRADE LUXURY POWER BURNER

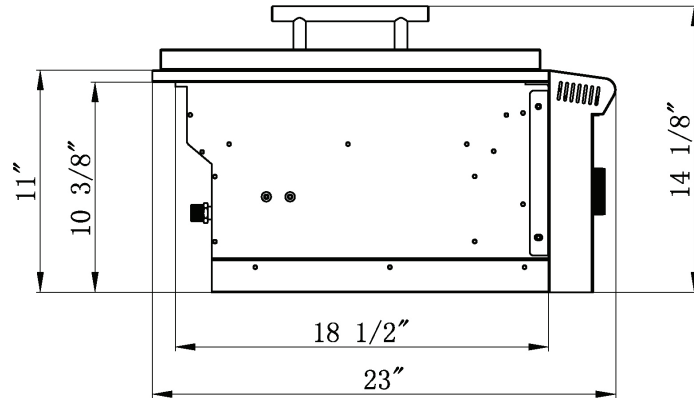
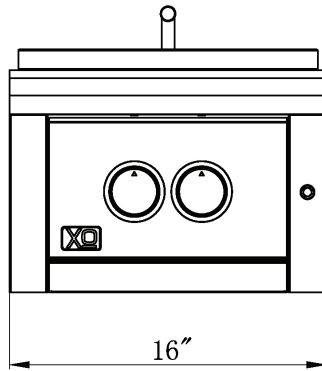
Hungry guests don't have to wait, with 60,000 BTUs of cooking power - this XO quality accessory for your custom outdoor kitchen is ready to deliver. Crafted from high quality 304 stainless steel to provide years of service - the XOGPOWER60K will become your go-to solution to expand your outdoor cooking horizons (with a minimum of counter space). So bring on the wok or lobster pot - XO is ready.

www.xoappliance.com

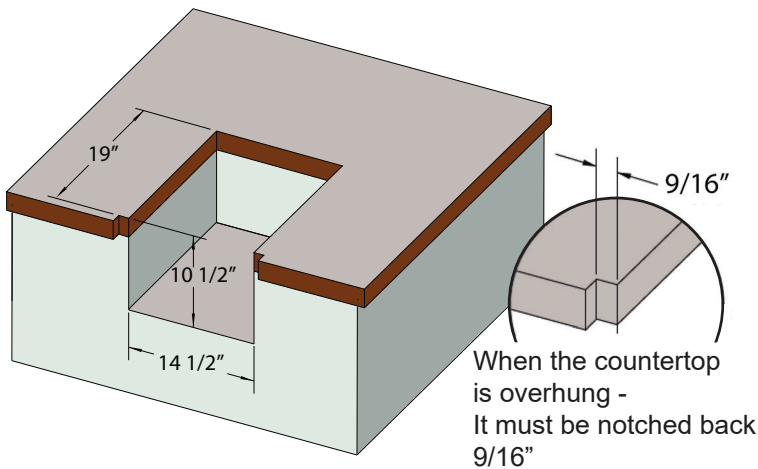
MODEL: XOGPOWER60K

16" PRO GRADE POWER BURNER

*Specify **N** for natural gas, **L** for liquid propane



BUILT-IN CUT OUT



SPECIFICATIONS

Size	16"
Dimensions	16"W x 23"D x 14 1/8"H
Installation Type	Built-in
Fuel	Specify Natural Gas or Propane
Burners	Dual Ring Cast 304 SS Burner Inner Ring 25,000 BTU Outer Ring 35,000 BTU Total 60,000 BTU
Electrical	115V (for lighting)

When installing, observe all clearances between the burner and adjacent structures as detailed in the Operating and Instruction manual.

Failure to do so may create a serious risk of fire or injury.

XOGPOWER60KSPECrevA
9/2019
Not responsible for typographical errors or misprints



XO the next level
in luxury appliances
www.xoappliance.com

XO is exclusively distributed through
EASTERN MARKETING CORP.
24 Eisenhower Parkway, Roseland, NJ 07068
p. 973.403.8900