


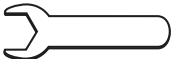
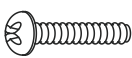



Examine all packaging material for small parts that may have come loose during shipment. Periodic checks are recommended to insure that all components are in proper position, tight and free from damage. Keep this assembly instruction for future reference. Adult assembly is required. The product of Hillsdale Furniture, LLC is designed for residential use only. Customer Service Phone Number: 502-562-0000

HARDWARE LIST

- A (8) 5/16" x 2 1/2" Hex Bolts
- B (8) 5/16" Spring Washers
- C (8) 5/16" Flat Washers
- D (1) Open End Wrench
- E (1) M4 Bolt
- F (1) Knob

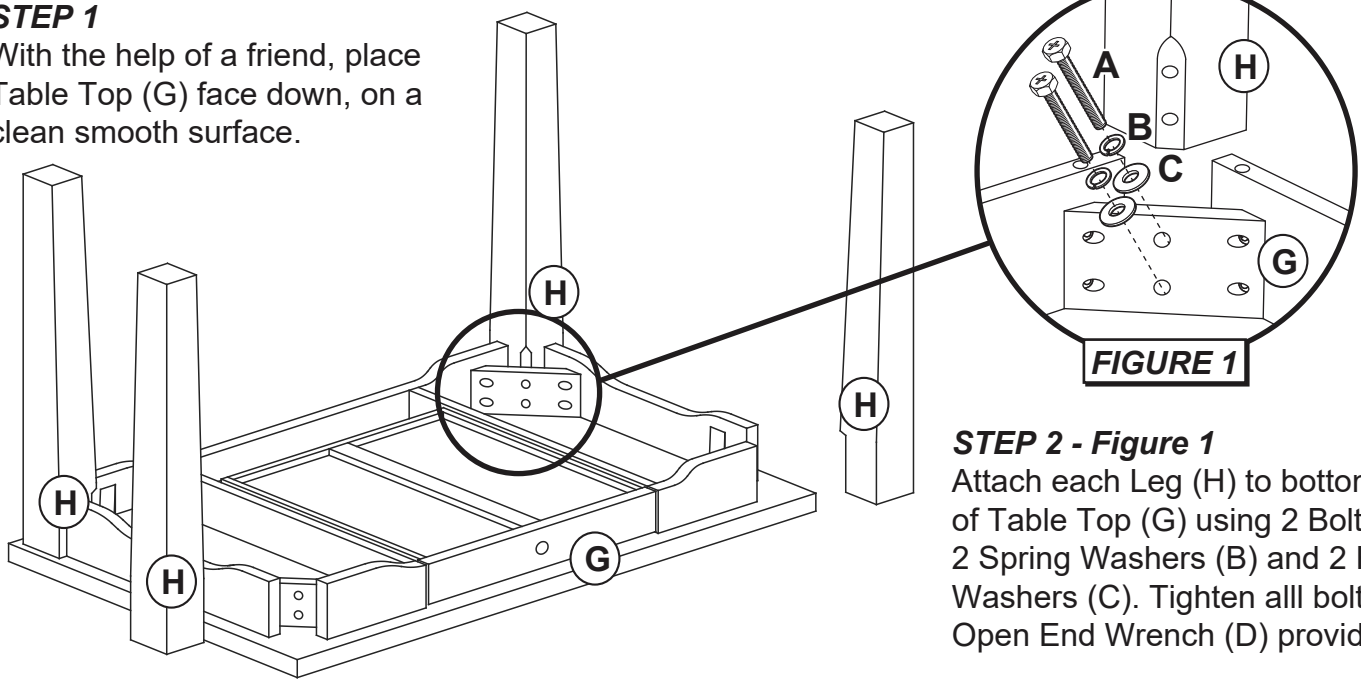
| PART | QTY | HARDWARE | PART | QTY | HARDWARE |
|------|-----|--|------|-----|---|
| A | 8 |  | B | 8 |  |
| C | 8 |  | D | 1 |  |
| E | 1 |  | F | 1 |  |

PARTS LIST

- G (1) Table Top
- H (4) Legs

STEP 1

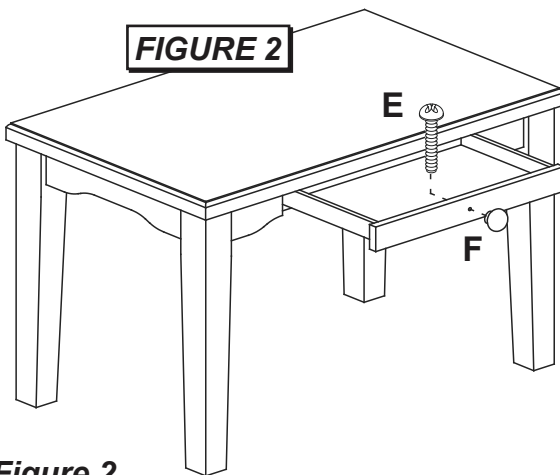
With the help of a friend, place Table Top (G) face down, on a clean smooth surface.



STEP 2 - Figure 1

Attach each Leg (H) to bottom side of Table Top (G) using 2 Bolts (A), 2 Spring Washers (B) and 2 Flat Washers (C). Tighten all bolts with Open End Wrench (D) provided.

FIGURE 2



STEP 3 - Figure 2

Attach Knob (F) to the drawer front using Bolt (E). Tighten screws with Phillips head screwdriver (not included). The assembly is now complete.

