



# 5.1 cu. ft. Gas Range

AGR4230BA



Black  
AGR4230BAB

### Also available in:



White

AGR4230BAW

### Capacity

Oven 5.1 cu. ft.

### General Features & Properties

EasyAccess™ Broiler Door

SpillSaver™ Upswept Cooktop

Sealed Burners

### Electrical Details

Amps 15

Volts 120

### Technical Details

Fuel Type	Gas
Range Type	Freestanding
Oven Cooking System	Thermal
Number of Oven Racks	2
Cleaning Type	Manual Clean
Number of Burners	4
Burner Type	Sealed Burners
Burner Size/Power	(3) 9500 BTU (1) 5000 BTU

### Dimensions

Product Dimensions (H x W x D)	46-1/4" x 29-7/8" x 27-1/4"
Depth with Door Open 90°	45-1/4"
Cutout Width	30-1/8"

### Reference Material

[Dimension Guide](#)

[Install Guide](#)

[Use & Care Guide](#)

[Warranty](#)

### Key Features & Benefits

#### Large Oven Capacity

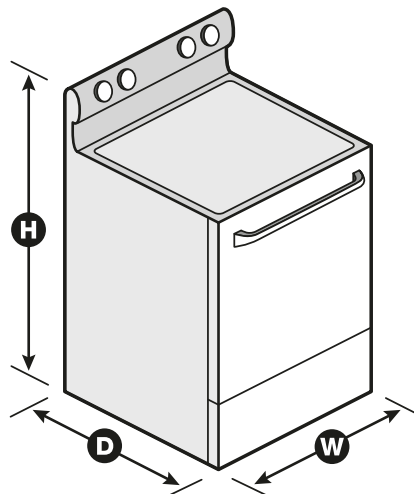
Large Oven Capacity gives you the space you need to make dinner and dessert at the same time.

#### Versatile Cooktop

Our Versatile Cooktop features multiple burner options that provide up to 11,500 BTUs, helping you cook your favorites all at once.

#### Temp Assure™ Cooking System

Temp Assure™ Cooking System distributes heat throughout the entire oven to deliver delicious results.



NOTE: Dimensions are for planning purposes only. For complete details, see Installation Instructions packed with product. Specifications subject to change without notice.

®/™ © 2020. All rights reserved. Printed in the U.S.A. D200052XXB. AGR4230BASPECSHEETV01.