

ASPIRE  
BY HESTAN

Marquise Accented™ Panels

Adjustable Door Hinges

LP Tank Storage

## STANDARD FEATURES

- Available in 30", 36" and 42" widths
- Fold-down side shelves for extra work space
- 2-door configuration
- Recessed Marquise accented™ panels with commercial grade handles
- Door hinges with alignment adjustability
- Commercial grade gray casters with 360 degrees of maneuverability for the smoothest cart movement. Front locking casters
- Location behind left door to store LP gas tank

## OPTIONS & ACCESSORIES

- Hestan signature color finishes Red-Matador, Black-Stealth, Blue-Prince, Orange-Citra
- Vinyl Cover for cart and grill head

## TOWER CARTS



*Grill Head Sold Separately  
Showing cart model ECD36*

30" TOWER CART



36" TOWER CART

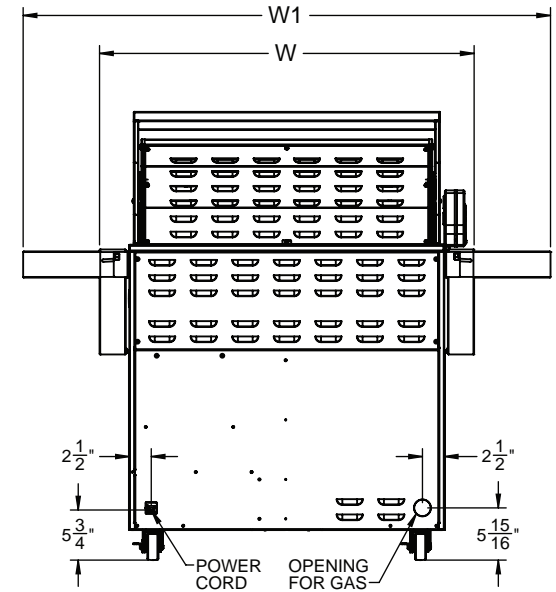
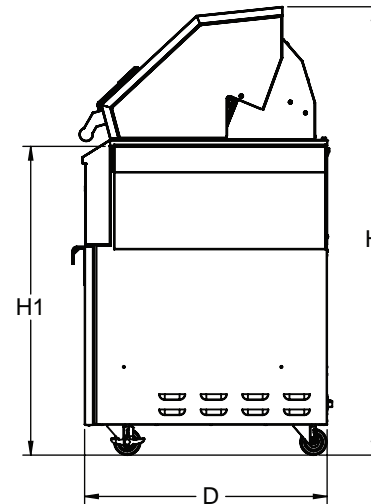


42" TOWER CART



*Shown in Optional Color  
Grill sold separately*

All Models	Description	Overall Dims			H <sub>1</sub> (in.) cart only	W <sub>1</sub> (in.)
		W(in.)	D(in.)	H(in.)		
ECD30	30" Double Door Tower Cart	36- <sup>13</sup> / <sub>16</sub>	27- <sup>11</sup> / <sub>16</sub>	51- <sup>1</sup> / <sub>4</sub>	35- <sup>5</sup> / <sub>16</sub>	54- <sup>1</sup> / <sub>4</sub>
ECD36	36" Double Door Tower Cart	42- <sup>13</sup> / <sub>16</sub>	27- <sup>11</sup> / <sub>16</sub>	51- <sup>1</sup> / <sub>4</sub>	35- <sup>5</sup> / <sub>16</sub>	60- <sup>1</sup> / <sub>4</sub>
ECD42	42" Double Door Tower Cart	48- <sup>13</sup> / <sub>16</sub>	27- <sup>11</sup> / <sub>16</sub>	51- <sup>1</sup> / <sub>4</sub>	35- <sup>5</sup> / <sub>16</sub>	66- <sup>1</sup> / <sub>4</sub>



Aspire by Hestan products are approved for outdoor use only. Hestan Commercial Corporation reserves the right to change materials and specifications without notice.