

- en** Installation Instructions
- fr** Notice d'installation
- es** Instrucciones de instalación



BOSCH

Customer Service:
1-800-944-2904

These instructions are intended
for use by qualified installers only

Safety Definitions



WARNING

This indicates that death or serious injuries may occur as a result of non-observance of this warning.



CAUTION

This indicates that minor or moderate injuries may occur as a result of non-observance of this warning.

NOTICE

This indicates that damage to the appliance or property may occur as a result of non-compliance with this advisory.

Note: This alerts you to important information and/or tips.

Table of Contents

Safety Instructions	4
Avoiding General Hazards	5
Tools & Materials	6
Enclosure Requirements	9
Electrical Connections	14
Installation of Mounting Brackets	17
Positioning the Dishwasher	19
Securing the Dishwasher	23
Water Inlet Connection	24
Drain Connection	25
Attaching the Toe Panel	29
Customer Service	33



Important Safety Instructions: **Please READ and SAVE this information**

To avoid possible injury or property damage, OBSERVE ALL WARNINGS AND CAUTIONS.

WARNING:

These instructions are intended for use by qualified installers only. The dishwasher must be installed by a qualified service technician or installer.

- In addition to these instructions, the dishwasher shall be installed to meet all electrical and plumbing codes and ordinances (both national and local).

Read these installation instructions completely and follow them carefully. They will save you time and effort and help to ensure safety and optimum dishwasher performance.

IMPORTANT

- The dishwasher drain hose must be installed with a portion of it at least 33" (84 cm) off the cabinet floor; otherwise the dishwasher may not drain properly.
- This dishwasher is intended for indoor residential use only, and should not be used in commercial food service establishments.
- This dishwasher is designed to be enclosed on the top and both sides by cabinetry.
- NEW INSTALLATION - If the dishwasher is a new installation, ensure all connections are properly made before the dishwasher is moved into place.
- REPLACEMENT - If the dishwasher is replacing another dishwasher, check the existing dishwasher connections for compatibility with the new dishwasher, and replace parts as necessary.
- This appliance has been found to be in compliance with CAN/CSA-C22.2 No. 167/UL 749. It is the responsibility of the owner and the installer to determine if additional requirements and standards apply in specific installations.
- Not for outdoor use.

WARNING

Avoiding General Hazards

To reduce the risk of electric shock, fire, or injury to persons, the installer must ensure that the dishwasher is completely enclosed at the time of installation.

Do not use the dishwasher until it is completely installed. When opening the door on an uninstalled dishwasher, carefully open the door while supporting the rear of the unit. Failure to follow this warning can cause the dishwasher to tip over and result in serious injury.

Before installing the supplied counter top mounting brackets, decide which method will be used to secure the dishwasher into its opening. Once these mounting brackets are installed on the dishwasher, removing them is difficult and will damage the mounting brackets and the dishwasher.

In some conditions, hydrogen gas can form in a hot water system that has not been used for weeks. Hydrogen gas is explosive. Before filling a dishwasher from a system that has been off for weeks, run the water from a nearby faucet in a well ventilated area until there is no sound or evidence of gas.

Removing any cover or pulling the dishwasher from the cabinet can expose hot water connections, electrical power and sharp edges or points. Handle with care.

Proposition 65 Warning:

This product may contain a chemical known to the State of California, which can cause cancer or reproductive harm. Therefore, the packaging of your product may bear the following label as required by California:

STATE OF CALIFORNIA PROPOSITION 65 WARNING:

 **WARNING**

Cancer and Reproductive Harm - www.P65Warnings.ca.gov

Inspect the Dishwasher

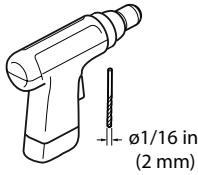
After unpacking the dishwasher and prior to installation, thoroughly inspect the dishwasher for possible freight or cosmetic damage. Report any damage immediately. Cosmetic defects must be reported within 30 days of installation.

NOTE: Do not discard any bags or items that come with the original package until after the entire installation has been completed.

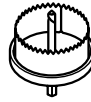
Tools and Materials Needed



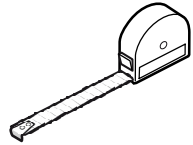
Adjustable Wrench (x2)



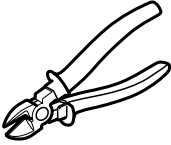
Drill



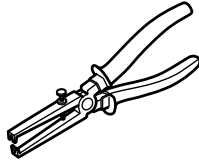
Hole Saw



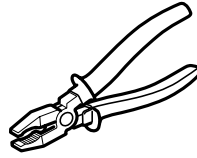
Tape Measure



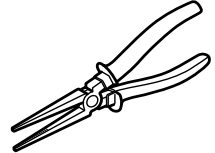
Wire Cutter



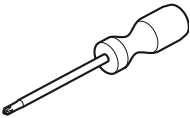
Wire Stripper



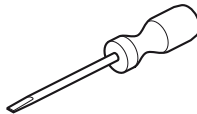
Pliers



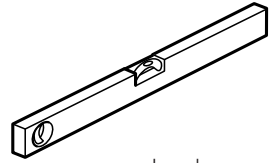
Needle Nose Pliers



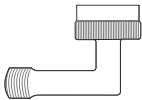
Phillips Screwdriver



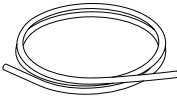
Flat Screwdriver



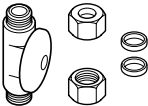
Level



Elbow connection with 3/4" female hose threads on one end and fits your water supply line (copper tubing, compression fitting, or braided hose) on the other.

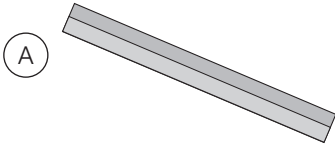


Hot Water Supply Line - Minimum 3/8" O.D. copper tubing or metal braided dishwasher supply line.
Only needed if house water supply line is not sufficient.

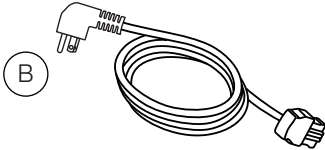


Shut-off valve and fittings appropriate for hot water supply line (copper tubing/compression fitting, or braided hose).

Materials Supplied



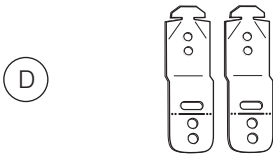
Vapor Barrier
(included with some models)



Power Cord



Screw Clamp (for drain hose)

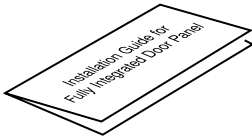


Mounting Brackets



Mounting Bracket Screws \varnothing 4x13 mm

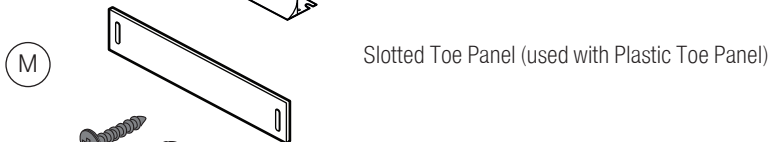
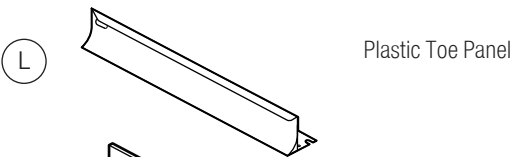
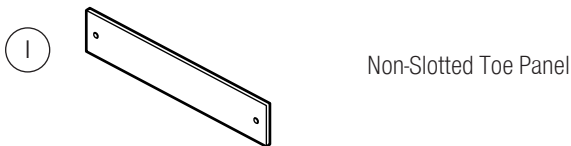
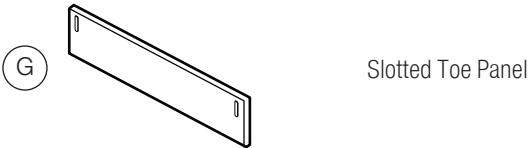
For fully integrated models only:



Installation Guide for Fully Integrated Door Panel

Toe Panel Kits

(Model Dependent; your dishwasher is supplied with one of the toe panel kits shown below)



Enclosure Requirements

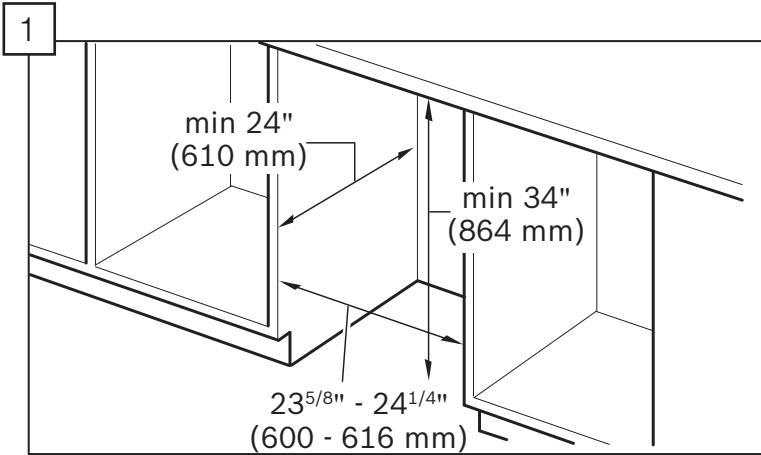
WARNING

To Avoid Scalding or Electrical Shock Hazard!

Make sure the water supply and electrical supply are shut off before installation or service.

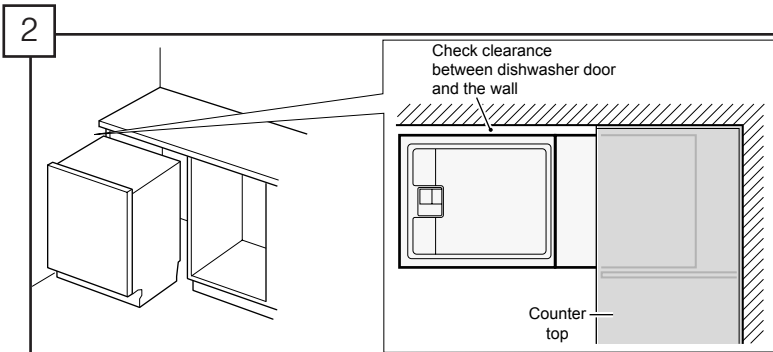
To Avoid Electrical Shock/Fire Hazard!

Do not allow the electrical and supply lines to touch.



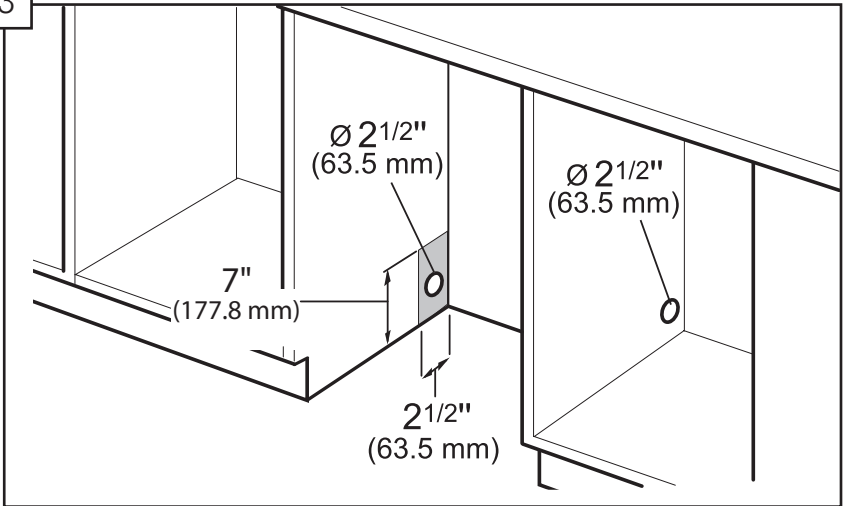
Note: This dishwasher is designed to be enclosed on the top, back and both sides by standard residential kitchen cabinetry.

- Select a location as close to the sink as possible for easy access to water supply and drain lines.
- For proper dishwasher operation and appearance, ensure that the enclosure is square and has the dimensions shown.



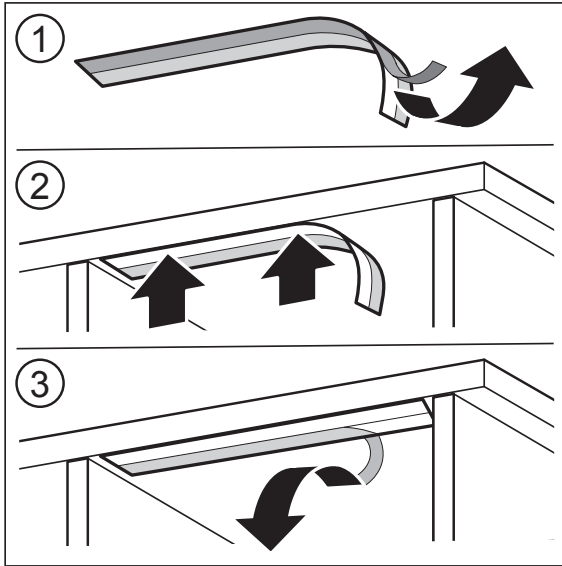
- If the dishwasher is to be installed in a corner, ensure that there is adequate clearance to open the door as shown.

3

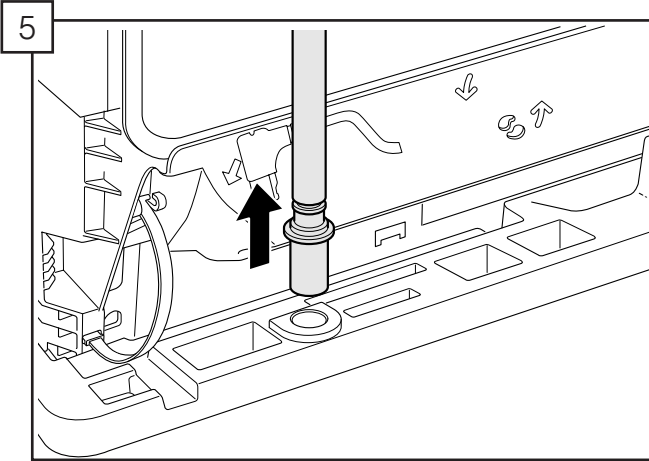


- After locating the proper place for your dishwasher, create required openings in your cabinets in order to allow for water, drain and electrical lines on the appropriate side.
- The holes should be cut within the 7 x 2.5" area shown.
- If the opening is made through wood, sand it smooth.
- If the opening is made through metal, use the Edge Protector with Power Cord clips Kit SMZEPC1UC.

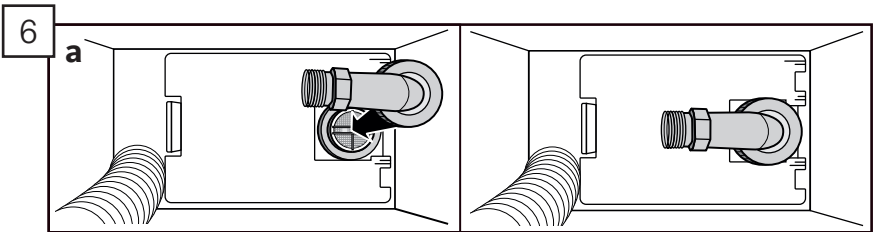
4



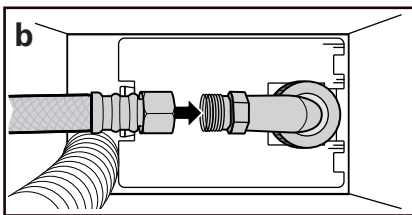
- Certain dishwasher models include a plastic protective barrier. If the dishwasher came with this part, remove it from the back of the unit.
- Clean and dry the underside of the counter where the dishwasher will be installed.
- Peel off half of the backing and stick the barrier in place. Do not leave a gap between the barrier and the edge of the countertop.
- After it is in place, remove the other half of the backing and attach firmly in the place.



- Pull the drain hose out of the packaging base as shown.
- Set toe panel aside for later use.



- Attach elbow joint to dishwasher as shown. Do not overtighten.



- Attach hot water line to elbow. Use two wrenches to tighten to avoid putting stress on the water inlet valve.

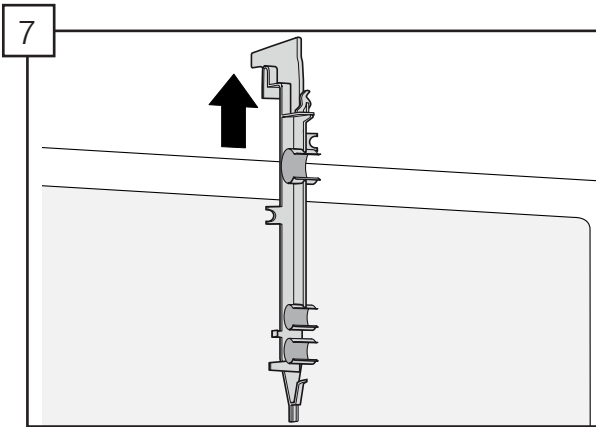
Note: For a easier access to the hot water inlet connection, tip unit slightly forward with someone holding the front side of the unit.

⚠ WARNING

DO NOT tip the dishwasher too far forward! This could cause serious injury or death. Always have an adult hold the front side if the unit is tipped.

NOTICE

Avoid cross-threading! It will cause leaks. After attaching hose, temporarily hook up the water supply then turn on water to check for leaks.



- Remove the hose clip at the back of the dishwasher as shown. The hose clip may be used later to hold the drain hose inside your cabinet.

Electrical Connection



WARNING

Avoid Electrical Shock Hazard!

Do not work on an energized circuit. Doing so could result in serious injury or death. Only qualified electricians should perform electrical work. Do not attempt any work on the dishwasher electric supply circuit until you are certain the circuit is de-energized.

To avoid possible injury or property damage, care should be exercised when the dishwasher is installed or removed to reduce the likelihood of damage to the power cord.

Avoid Fire Hazard!

Make sure electrical work is properly installed and checked by qualified electricians.

Make sure there are no loose electrical connections. Make sure all electrical connections are properly made.

Loose and improperly installed electrical connections can result in overheating!

To avoid risk of fire, observe the following precautions:

Wall Socket Connections:

Only use the provided power cord for wall socket connections. DO NOT attach an extension cord or any type of modified cord or adapter with this appliance.

DO NOT cut or splice the power cord.

DO NOT alter the power cord in any way.

Permanent Wire Connections (in addition to the warnings above):

Only use the junction box power cord, sold as Accessory kit #SMZPCJB1UC.

Carefully review the terminal block installation instructions.

DO NOT remove, alter or bypass the terminal block.

Electrical Supply

The customer has the responsibility of ensuring that the dishwasher electrical installation is in compliance with all national and local electrical codes and ordinances. The dishwasher is designed for an electrical supply of 120V, 60 Hz, AC, connected to a dishwasher-dedicated, properly grounded electrical circuit with a fuse or breaker rated for 15 or 20 amps.

Dishwasher Electrical Rating

Volts	Hertz	Amperes	Watts
120	60	12	1,440 (max)

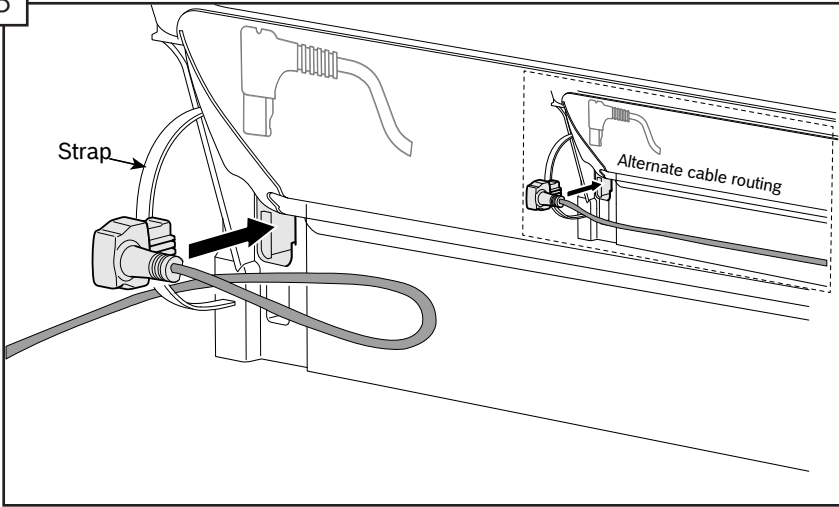
Grounding Instructions

The dishwasher must be properly grounded before operating. This appliance must be connected to a grounded metal permanent wiring system or an equipment grounding conductor must be run with the circuit conductors and connected to the equipment grounding terminal or lead on the dishwasher.

Do NOT use an extension cord.

Make sure that the dishwasher is connected to a suitable ground in compliance with all local codes or, in the absence of a local code, with the NATIONAL ELECTRICAL CODE in the United States or the CANADIAN ELECTRIC CODE C22.1-latest edition in Canada as well as any provincial/state or municipal or local codes that apply.

Note: Installations requiring hard wiring and terminal block - The accessory terminal block/junction box model, SMZPCJB1UC, designed for permanent wire connection, is not included but can be ordered through Customer Service by calling 1-800-944-2904. Follow the instructions included with the kit.



- Plug the end of the supply cord into the back of the dishwasher. Be sure it goes through the strap on either the right or left side of the dishwasher.
- The outlet for the power supply cord should be located in a cabinet or wall adjacent to the dishwasher cabinet.
- Do not plug dishwasher in until all the steps of installation are complete.

Note: Only use the included power cord. If cord is missing order kit SMZPC002UC through Customer Service.

Note: If clips are required for the power cord use the Edge Protector with Power Cord clips Kit SMZEPCC1UC.

Installation of Mounting Brackets



WARNING

Avoid Tip Over Hazard!

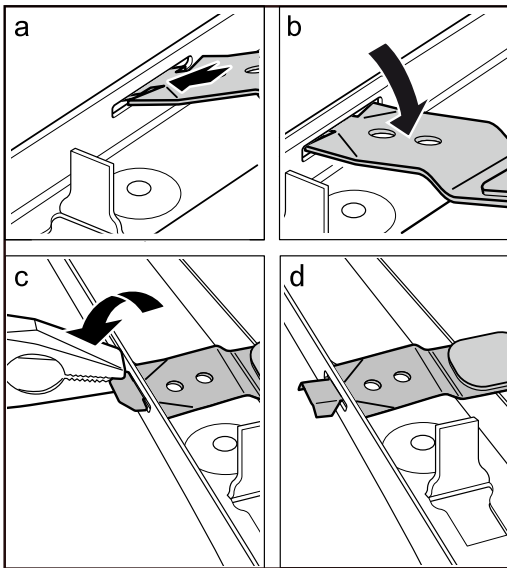
Do not use the dishwasher until it is completely installed. When opening the door on an uninstalled dishwasher, carefully open the door while supporting the rear of the unit. Failure to follow this warning can result in serious injury.

Note: Before installing the supplied counter top mounting brackets, decide which method of securing the dishwasher into its enclosure will be used.

Once the mounting brackets are installed on the dishwasher, removing them is difficult and will damage the mounting brackets and the dishwasher.

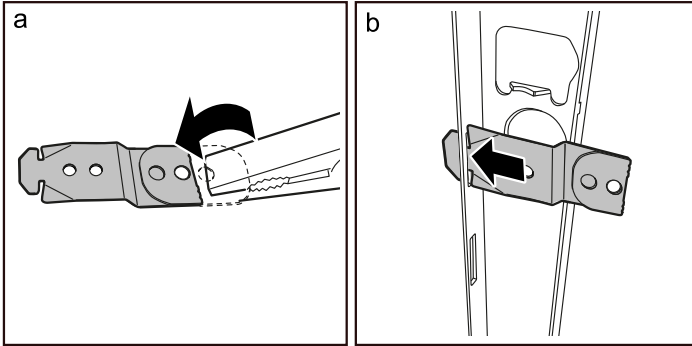
If you have a Fully Integrated Panel, do not attach mounting brackets until after attaching the panel to the door.

9



- Top Mount is used for counter tops made of wood or other materials that can be easily drilled. If you have solid surface, marble, granite, or other very hard countertops, skip to step 10 now.
- If insulation is covering the area in 9a, fold it back.
- Orient the mounting brackets (D) for top mounting as shown in 9b.
- Using pliers, bend side flanges down as shown in 9c and 9d so the bracket will not slip out of slot in frame. Do not attach to cabinet yet.

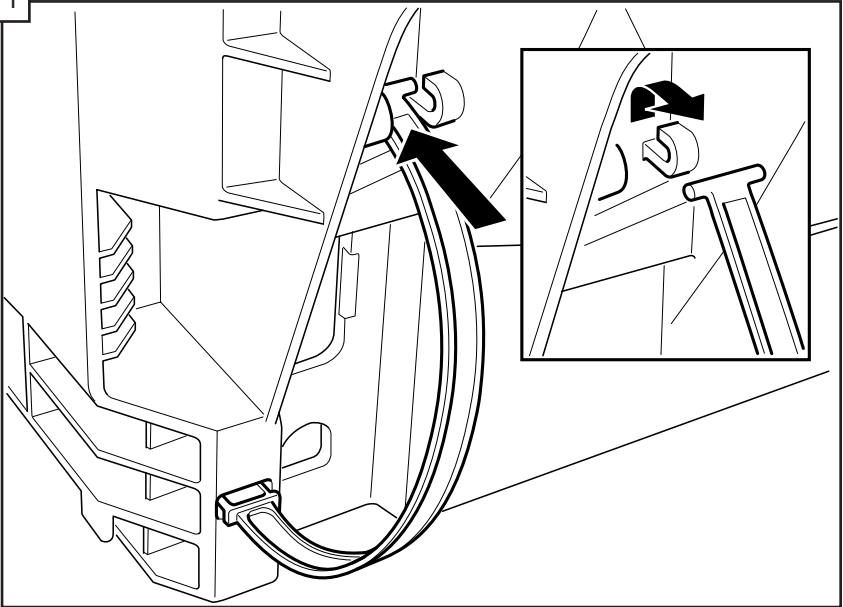
10



- Side Mount is used for counter tops made of marble, granite, or other very hard materials that cannot be easily drilled.
- Grasp mounting bracket (D) with pliers and fold bracket at the perforation over onto itself as shown in 10a.
- Slip bracket flange through side slots in frame as shown in 10b.
- Using pliers, bend side flanges down as shown in 9c and 9d so the bracket will not slip out of slot in frame. Do not attach to cabinet yet.

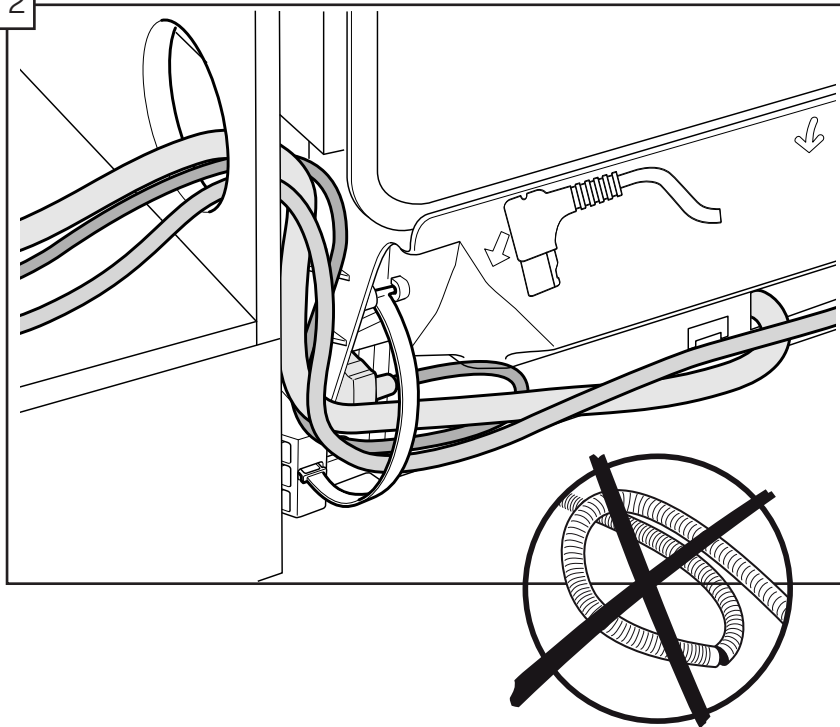
Positioning the Dishwasher

11



- If your sink is to the right side of where you are installing the dishwasher, you will need to reposition the hoses and power cord behind the dishwasher before installing.
- To do so, unhook the strap that the hoses are running through on the back of the dishwasher base and position them per your requirements.
- If your sink is to the left side, leave the hoses and power cord as they came.

12

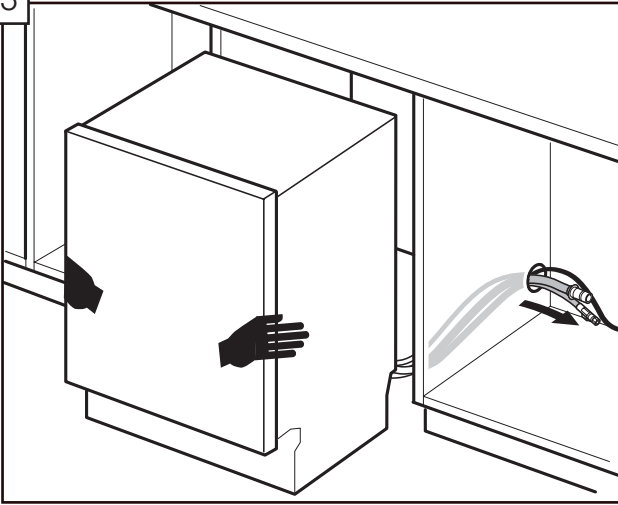


- Position the hoses and power cord so they run through the strap on the appropriate side.
- Be sure to snap the strap back in place to secure the hoses as shown.

NOTICE

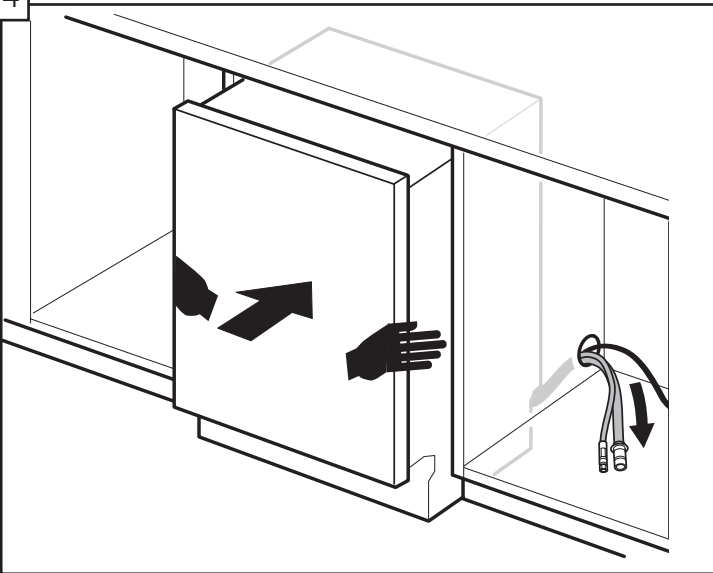
Be sure to pull the hoses all the way into the adjacent cabinet while pushing the dishwasher in. Otherwise, the hoses can fold, kink or break, potentially causing obstructions or leaks.

13



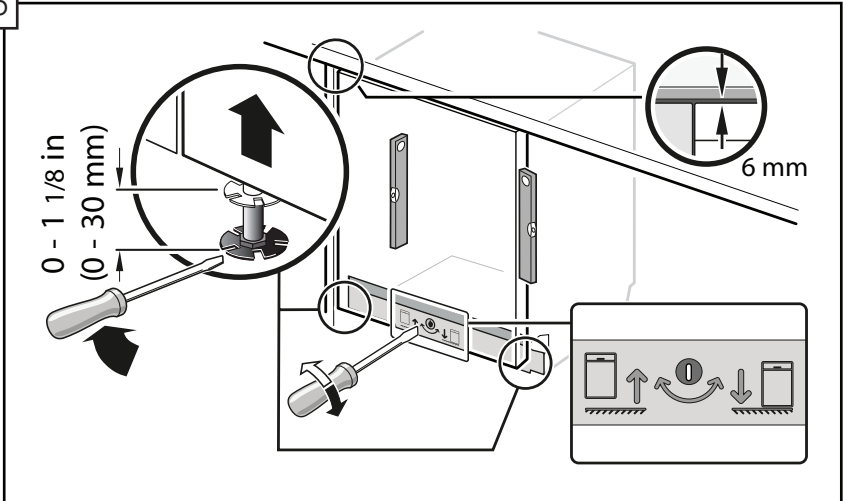
- To avoid scratching the floor, use floor protection and caution when sliding the dishwasher into the cabinet. Use hands on both sides of dishwasher to push evenly.
- Pull water inlet, drain hose and power cord through the hole in cabinet as shown.

14



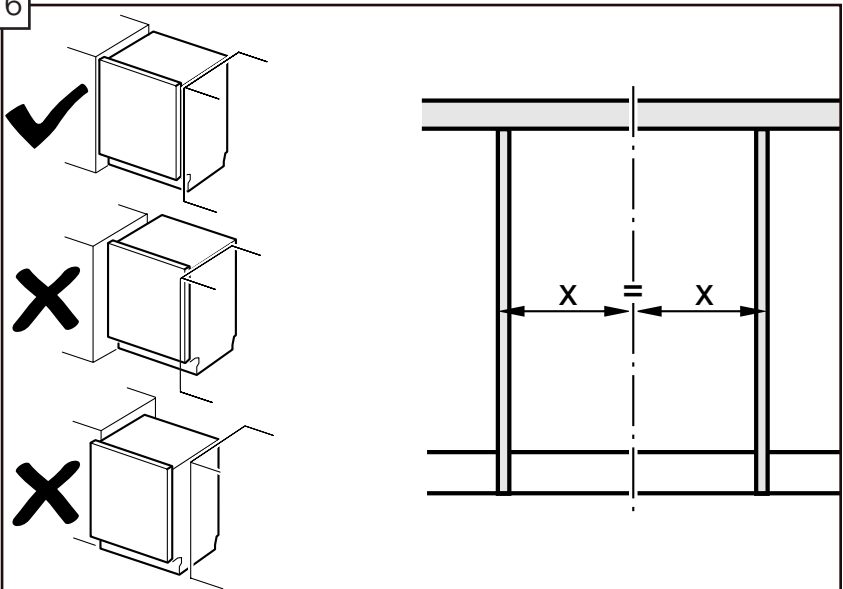
- Push the unit 2/3 of the way into the opening and stop.
- Reach into adjacent cabinet and pull hoses and excess power cord completely out so they do not get kinked.
- Push the unit in until flush with cabinet door.

15



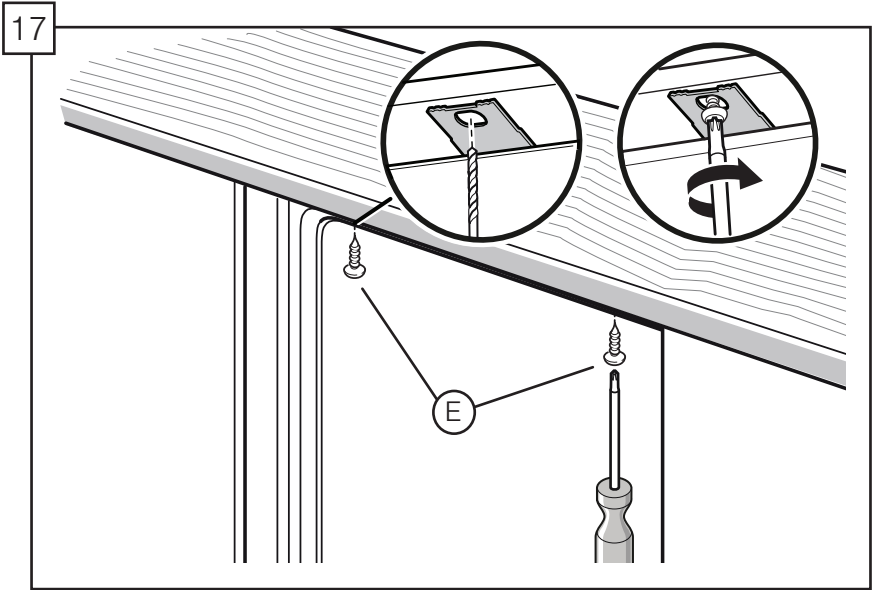
- Adjust the legs as shown. Make sure the top of the door is no less than 6mm from the underside of the counter.
- Use a level to check that your dishwasher is level.
- Level side to side by turning feet clockwise to raise or counter-clockwise to lower front of the unit as shown.
- Level front to back by turning center screw clockwise to raise or counter-clockwise to lower the back.

16

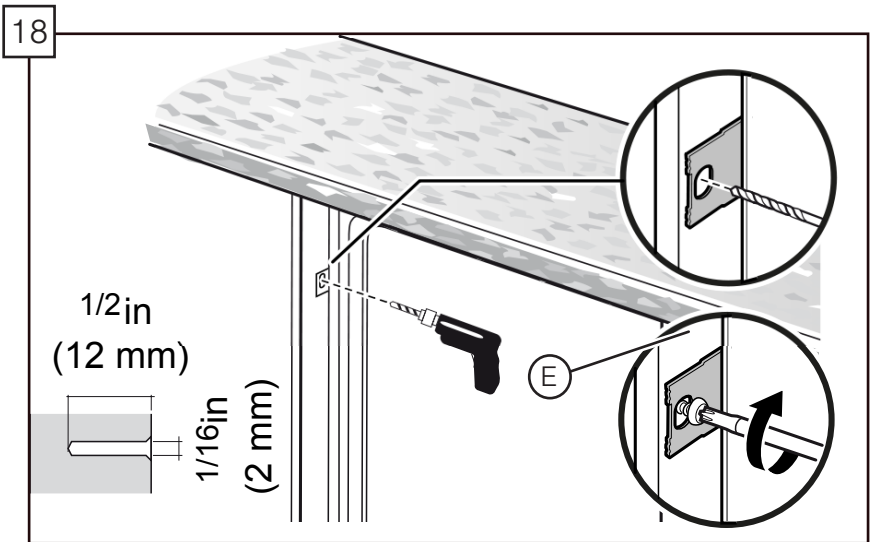


- Center the dishwasher in the opening before securing it to your cabinet or counter top as shown.

Securing the Dishwasher



- Drive the mounting screws (E) through the holes in the mounting brackets as shown for Top (figure 17) or Side Mount (figure 18).
- If the dishwasher came with a protective barrier, you should drill the screws through the barrier for the Top Mount.



Water Inlet Connection

WARNING

Scalding Hazard!

Do not perform any work on a pressured hot water line. Serious injury could result. Only qualified plumbers should perform plumbing work. Do not attempt any work on the dishwasher hot water supply plumbing until you are certain the hot water supply is shut off.

NOTICE

Temperatures required for soldering and sweating will damage the dishwasher. If plumbing lines are to be soldered or sweated, keep the heat source at least 6 inches (152.4 mm) away from the dishwasher.

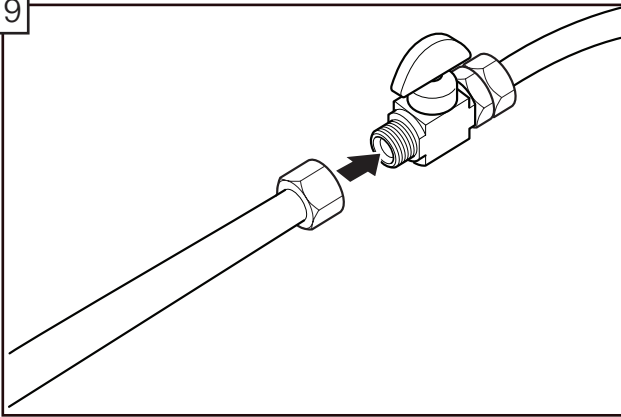
Hot Water Supply

The hot water heater should be set to deliver approximately 120° F (49° C) water to the dishwasher. Water that is too hot can cause some detergents to lose effectiveness. Lower water temperatures will increase run times. The hot water supply pressure must be between 15 - 145 psi (1 - 10 bar).

IMPORTANT NOTES:

- If using a solder joint instead of a compression fitting, be sure to complete all solder connections before connecting the water supply line to the dishwasher.
- Make sure there are no sharp bends or kinks in the water line that might restrict water flow.
- Always use appropriate seals when making plumbing connections.
- Before connecting the water supply line to the dishwasher, flush the incoming water line for approximately 5 minutes to clear any foreign material.
- Properly tighten all water connections. Not doing so could result in a leak.
- Check local plumbing codes for approved plumbing procedures and accessories. All plumbing should be done in accordance with national and local codes.
- If using copper tubing or other material not depicted in this manual for water supply, defer to a licensed plumber for proper installation.

19

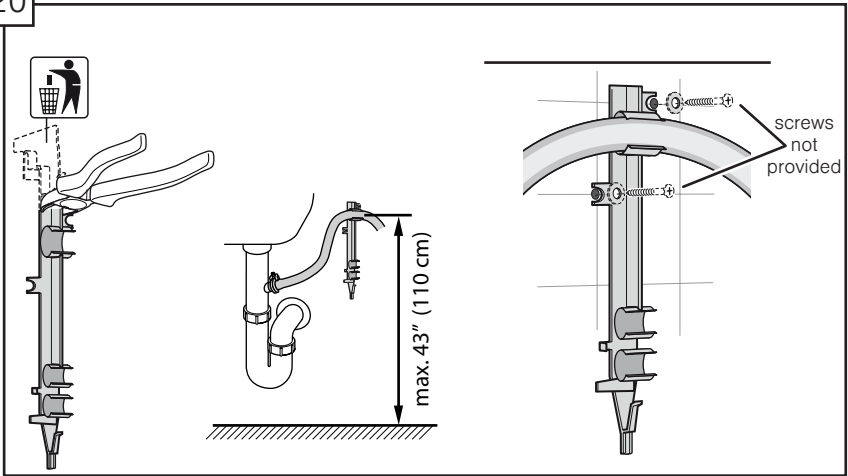


- Connect the dishwasher water supply line to the water shut off valve. If one isn't already in the supply line, install one (not provided).
- You will need to use an approved dishwasher water supply line with the correct fittings for this connection.
- After all connections are made, turn on the hot water and check for leaks.

Drain Connection

IMPORTANT NOTES about your drain connection:

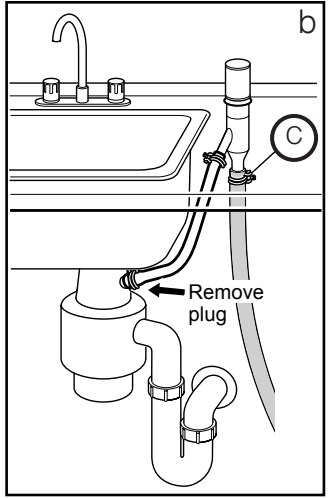
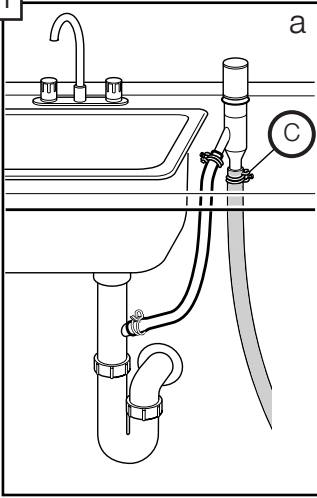
- If local ordinance require an air gap, install it according to the manufacturer's instructions.
- If the dishwasher drain hose is to be connected to a disposer dishwasher drain connection, remove the plug from the disposer's dishwasher drain connection.
- The dishwasher drain hose must have one place along its length that is securely attached 33" (84 cm) above the floor.
- The drain hose length can be extended if necessary. Use kit #SGZ1010UC. The maximum length of the drain hose, including the hose leading to the air gap, is 150" (380 cm).



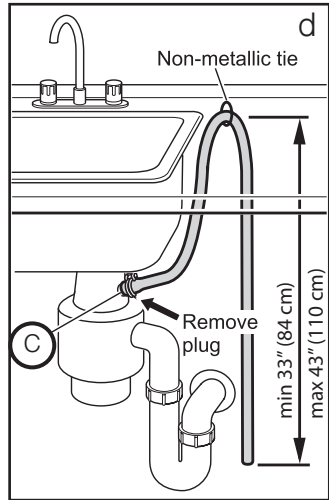
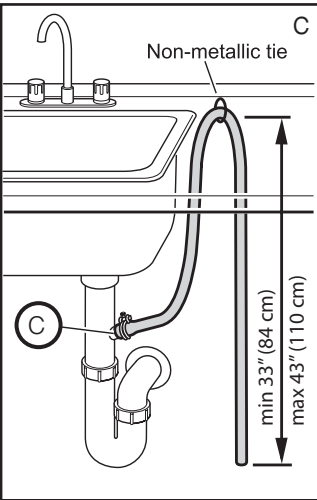
- You may use the piece you removed in Step 7 to attach to the inside of the adjacent cabinet and hang the drain hose from as shown (screws are not supplied) in place of using a Nonmetallic Tie as pictured in the next illustrations. Do not exceed 43" in drain hose height.
- The dishwasher drain hose must be installed with a portion of it at least 33" (84 cm) off the floor; otherwise the dishwasher may not drain properly.

NOTE: Place hose clamp (C) around end of drain hose **BEFORE** connecting to the plumbing.

21

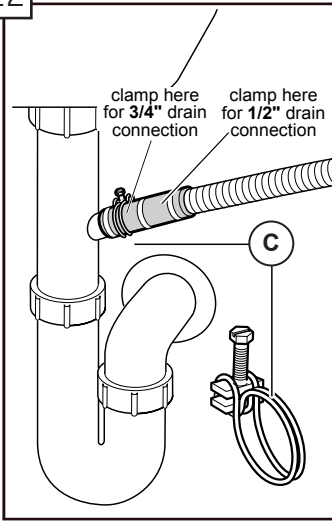


- The dishwasher drain hose may be connected to the drain plumbing using an air gap in one of two ways:
 - Connect to the under sink dishwasher drain connection (21a).
 - Connect to a disposer dishwasher drain connection (21b).



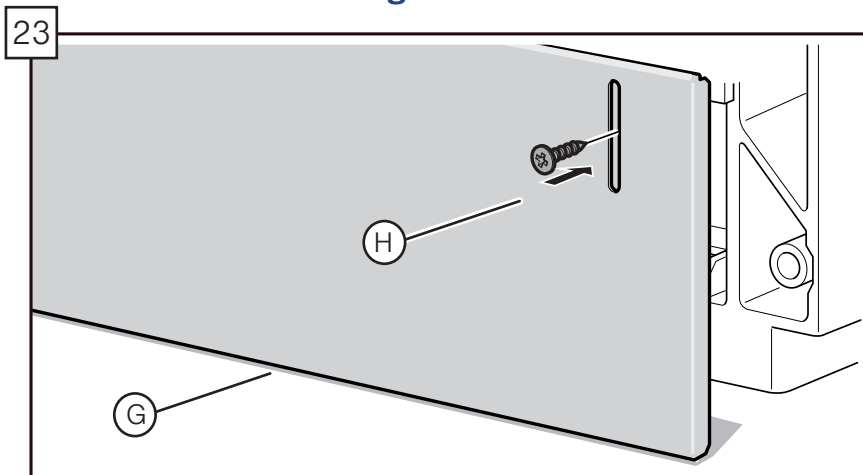
- The dishwasher drain hose may be connected to the drain plumbing using a high loop in one of two ways:
 - Connect to the under sink dishwasher drain connection (21c).
 - Connect to a disposer dishwasher drain connection (21d).

22



- Use the clamp provided (C) to attach the drain hose to the house plumbing as shown.

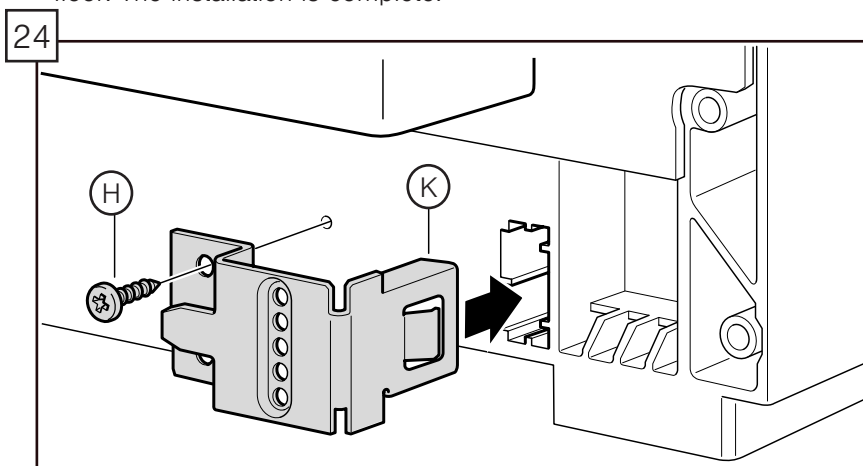
Attaching the Toe Panel



If your dishwasher came with a slotted toe panel (G) only, follow these instructions; otherwise skip to 24 now.

Note: If using the slotted toe panel shown in 23 above, then metal mounting brackets shown in 24 are not required.

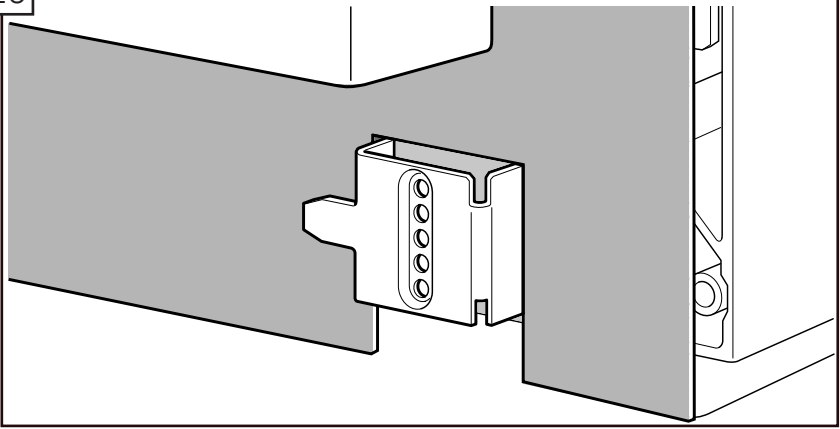
- Position the slotted toe panel (G) on the dishwasher. Allow it to rest on the floor.
- Attach using screws (H) as shown. Use only the supplied screws to avoid damaging the dishwasher. The toe panel should be flush with the floor. The installation is complete!



If the dishwasher came with a non-slotted toe panel (I) and toe panel brackets (K) follow these instructions; otherwise skip to 27 now.

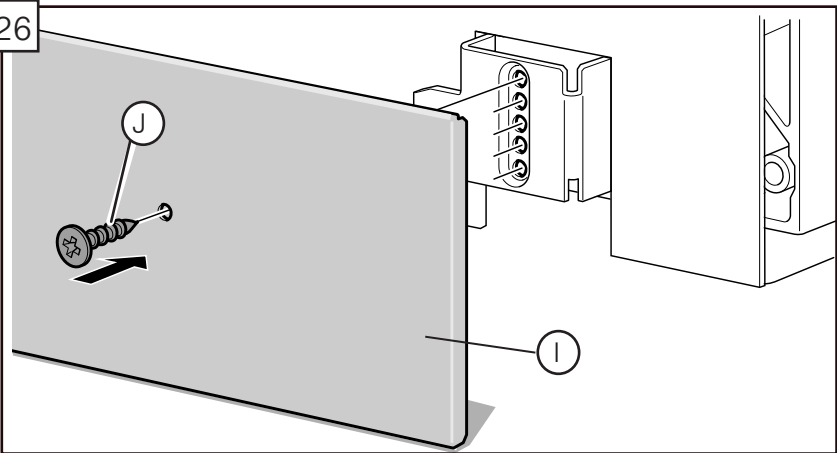
- Plug metal brackets (K) into openings on both sides of the base as shown.
- Use screw (H) to mount metal brackets to the base as shown.

25



- If your dishwasher comes with a rubber apron, tuck it behind the tab on the metal brackets as shown.

26

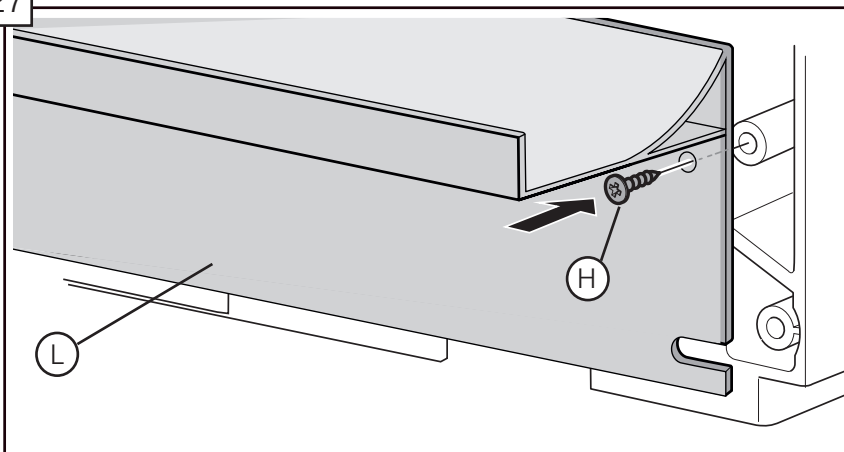


- Slide metal toe panel into position ensuring the bottom of the toe panel is flush with the floor. Use screw (J) to mount the toe panel through the hole it matches up with on the metal brackets (K) as shown.

Note: The toe panel height can be adjusted by screwing into a different hole in the bracket.

- Check for correct fit of apron by opening the door. Ensure the apron does not bind up and can freely move up and down behind the toe panel. Installation is complete!

27

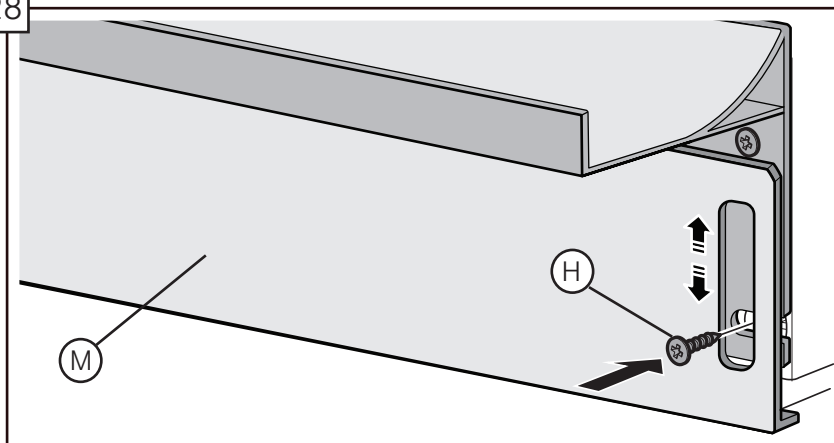


If your dishwasher came with a plastic toe panel (L) and slotted toe panel (M) follow these instructions:

Note: If using the plastic toe panel shown in 31 above, then metal mounting brackets shown in 28 are not required.

- Align the plastic toe panel on the base of the dishwasher so the holes line up.
- Attach using screws (H) as shown. Use only the supplied screws to avoid damaging the dishwasher.

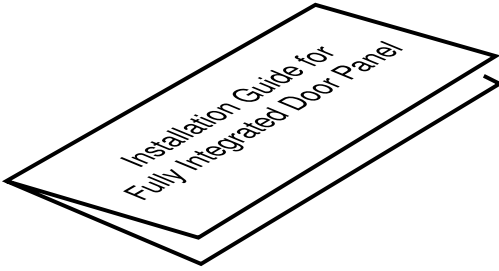
28



- Slide metal toe panel into position ensuring the bottom of the toe panel is flush with the floor. Your installation is complete!

Fully Integrated Door Panel

Please see the included instructions and template for installing a fully integrated door panel.



Customer Service

Your dishwasher requires no special care other than that described in the Care and Maintenance section of the Use and Care Manual. If you are having a problem with your dishwasher, before calling for service please refer to the Troubleshooting section in the Use and Care Manual. If service is necessary, contact your dealer or installer or an authorized service center.

Do not attempt to repair the appliance yourself. Any work performed by unauthorized personnel may void the warranty. If you are having a problem with your dishwasher and are not pleased with the service you have received, please take the following steps (in the order listed below) until the problem is corrected to your satisfaction:

1. Contact your installer or the Authorized Service Contractor in your area.
2. Write us at the address below:
BSH Home Appliances Corporation
1901 Main Street
Irvine, CA 92614
3. Call us at the Customer Service phone number before calling retailer for technical problems :
1-800-944-2904

Please be sure to include (if you are writing), or have available (if you are calling), the following information:

- Model number (SH_ _ _ _ _)
- Serial number (_ _ _ _ _)
- Date of original purchase (mm/dd/yyyy)
- Date the problem originated (mm/dd/yyyy)
- Explanation of the problem
- Daytime phone number where you can be reached.

Please make a copy of your invoice and keep it with this manual. Proof of purchase may be requested to verify warranty coverage.

Indications de sécurité

AVERTISSEMENT

Ceci indique des risques de blessures grave ou mortelles en cas de non-respect de cette mis en garde.

ATTENTION

Ceci indique des risques de blessures mineures ou de gravité moyenne en cas de non-respect de cette mis en garde.

AVIS

Ceci indique un risque d'endommagement de l'appareil ou de biens en cas de non respect de ces consignes.

Note: Ceci vous signale des informations et/ou indications importantes.

Table des Matières

Consignes de sécurité importantes	2
Prévention des dangers d'ordre général	3
Outils et pièces	4
Exigences d'encastrement	7
L'installation électrique	12
Installation des pattes de fixation	15
Positionner le lave-vaisselle	17
Sécuriser le lave-vaisselle	21
Raccordements d'arrivée d'eau	22
Raccordements d'évacuation	23
Fixation du panneau de pointe	26
Service après-vente	30



Consignes de sécurité importantes: **Veillez LIRE et CONSERVER ces informations**

Afin d'éviter toute possibilité de blessures ou de dommages matériels
VEUILLEZ OBSERVER TOUS LES AVERTISSEMENTS ET PRÉCAUTIONS.

AVERTISSEMENT :

Ces instructions sont destinées uniquement à l'usage des installateurs qualifiés. L'installation du lave-vaisselle doit être effectuée par un technicien de maintenance ou un installateur qualifié.

- Outre ces instructions, l'installation du lave-linge doit être effectuée conformément à tous les codes et ordonnances nationaux et locaux en matière d'électricité et de plomberie.

Lire cette notice d'installation entièrement et s'y conformer scrupuleusement. Cette notice vous permettra d'économiser du temps et des efforts et vous aidera à assurer la sécurité et l'efficacité optimale de votre lave-vaisselle.

IMPORTANT

- Le tuyau de vidange du lave-vaisselle doit être installé de façon à ce qu'une partie du tuyau soit à 33 pouces (84 cm) minimum au-dessus du plancher de l'armoire ; autrement, le lave-vaisselle risque de ne pas se vider correctement.
- Ce lave-vaisselle est destiné à un usage domestique uniquement et ne doit pas être utilisé par des établissements de service alimentaire commerciaux.
- Ce lave-vaisselle est conçu pour être fermé sur le dessus et les deux côtés par des armoires.
- NOUVELLE INSTALLATION - Si le lave-vaisselle est installé pour la première fois, la plupart des travaux d'installation doivent être réalisés avant que l'appareil ne soit mis en place.
- REMPLACEMENT - Si le lave-vaisselle est installé en remplacement d'un autre, vérifier les raccordements du lave-vaisselle existant pour vous assurer qu'ils sont compatibles à ceux du nouveau lave-vaisselle, et remplacer les pièces qui doivent l'être.
- Cet appareil a été trouvé conforme à la norme CAN/CSA-C22.2 n° 167/UL 749. Le propriétaire et l'installateur ont la responsabilité de déterminer si des exigences et normes supplémentaires s'appliquent à des installations spécifiques.
- Non pour l'usage en extérieur.

AVERTISSEMENT

Prévention des dangers d'ordre général

Pour réduire le risque de choc électrique, d'incendie ou de blessures, l'installateur doit s'assurer que le lave-vaisselle est complètement enfermé au moment de l'installation.

Ne pas utiliser le lave-vaisselle tant que l'installation n'est pas complètement terminée. Pour ouvrir la porte d'un lave-vaisselle dont l'installation n'est pas terminée, agir avec prudence et en soutenant la partie arrière de l'appareil. Le non respect de cet avertissement peut entraîner le basculement du lave-vaisselle et provoquer de graves blessures.

Avant d'installer les pattes de fixation pour comptoir en « L » (certains modèles) fournies, déterminer la méthode à utiliser pour fixer solidement le lave-vaisselle dans l'ouverture. Une fois les pattes de fixation installées sur le lave-vaisselle, il sera difficile de les retirer sans les abîmer ainsi que le lave-vaisselle.

Sous certaines conditions, un chauffe-eau peut produire de l'hydrogène s'il n'a pas été utilisé pendant plusieurs semaines. L'hydrogène est un gaz explosif. Avant de remplir un lave-vaisselle en utilisant de l'eau fournie par un chauffe-eau qui n'a pas fonctionné pendant plusieurs semaines, faites couler l'eau d'un robinet situé à proximité, dans un endroit bien aéré, jusqu'à ce qu'il n'y ait plus de bruit et qu'aucun dégagement de gaz ne se manifeste de façon visible.

Le retrait d'une paroi ou le fait de tirer le lave-vaisselle hors de son encastrement peut exposer les conduites d'eau chaude, l'alimentation électrique et certains rebords et angles tranchants. Effectuer ces manœuvres avec prudence.

Avertissement issue de la proposition 65 de l'État de la Californie :

Ce produit pourrait contenir un produit chimique reconnu par l'État de la Californie comme cancérigène ou ayant des effets nocifs sur la reproduction. Par conséquent, l'emballage de votre produit pourrait porter l'étiquette suivante, comme requis par la Californie :

AVERTISSEMENT ISSUE DE LA PROPOSITION 65 DE L'ÉTAT DE LA CALIFORNIE :



AVERTISSEMENT

Cancer et dommages à la reproduction -
www.P65Warnings.ca.gov

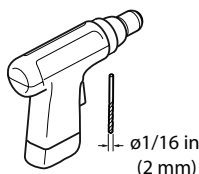
Inspection du lave-vaisselle

Après avoir déballé le lave-vaisselle et avant son installation, examinez-le attentivement pour déceler d'éventuels dégâts esthétiques ou liés au transport. Signaler immédiatement tout dégât. Les défauts esthétiques doivent être signalés dans un délai de 30 jours à compter de l'installation. REMARQUE : ne pas jeter les sacs ou les éléments contenus dans l'emballage d'origine avant d'avoir complètement terminé l'installation du lave-vaisselle.

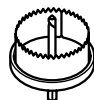
Outils et pièces nécessaires



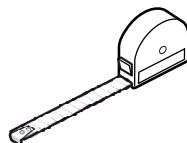
Clé ajustable (x2)



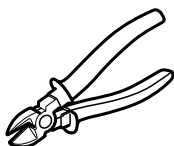
Perceuse



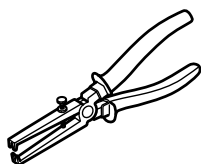
Scie cylindrique



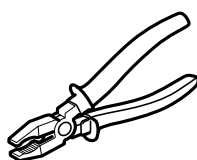
Ruban à mesurer



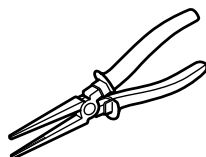
Pince coupante



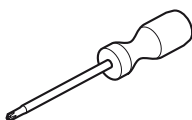
Pince à dénuder



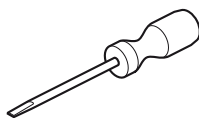
Pince



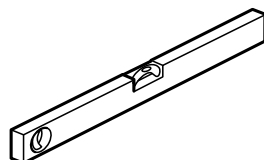
Pince à bec aiguille



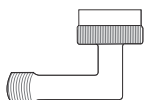
Phillips Tournevis



Tournevis



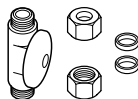
Niveau à bulle



Coudé avec filets femelle 3/4 po sur une extrémité, dont la dimension s'a juste a la canalisation en eau (tuyau encuivre/raccord à compression ou tuyau bridé) sur l'autre extrémité.

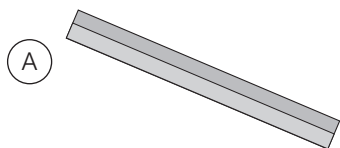


Conduite d'alimentation en eau chaude - tube de cuivre au minimum de 95 mm (3/8 po) de diamètre extérieur en polyéthylène réticulé ou conduite d'alimentation pour lave-vaisselle en métal tressé. Nécessaire seulement si la canalisation d'alimentation en eau de la maison est insuffisante.

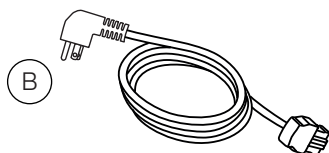


Soupape d'arrêt et raccords appropriés pour conduites d'eau chaude (tube de cuivre/raccord de compression, ou tuyau tressé).

Matériel fourni



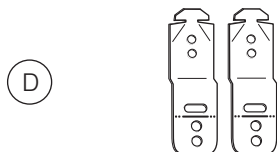
Barrière de vapeur
(Inclus avec certains modèles)



Cordon d'alimentation



Collier à vis (pour flexible)

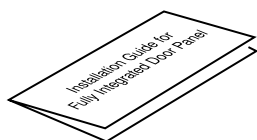


Pattes de fixation



Vis des pattes de fixation \varnothing 4x13mm

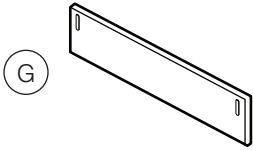
Pour les modèles entièrement intégrés uniquement



Guide d'installation pour un panneau de porte
pleinement intégré

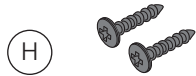
Matériel fourni

(selon le modèle; votre lave-vaisselle est fourni avec l'un des kits de panneaux ci-dessous)



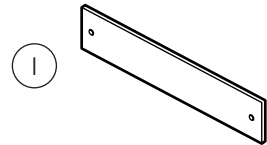
(G)

Panneau de plinthe à fentes



(H)

2 - Vis Ø 4x16 mm



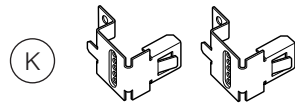
(I)

Panneau de plinthe sans fente



(J)

2 - Vis Ø 4.2x12.7 mm



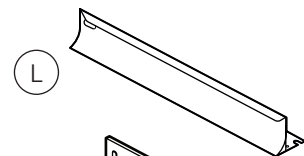
(K)

Pattes de fixation du panneau de plinthe
(utilisé qu'avec panneau de plinthe non fendue
modèle illustré ci-dessus)



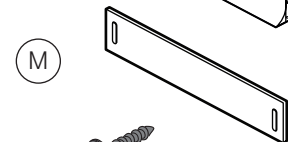
(H)

2 - Vis Ø 4x16 mm



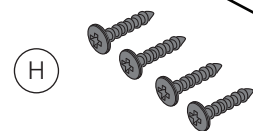
(L)

Panneau de plinthe en plastique



(M)

Panneau de plinthe à fentes (Utilisé avec
le panneau en plastique)



(H)

4 - Vis Ø 4x16 mm

Exigences d'encastrement

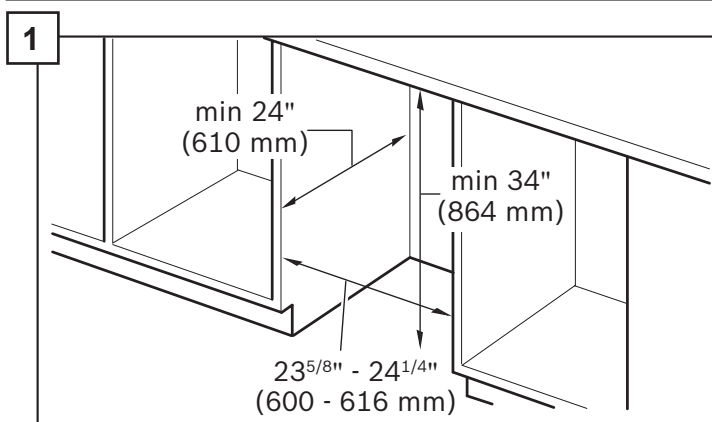
⚠ AVERTISSEMENT

Évitez les brûlures ou les risques de secousse électrique!

S'assurer que l'alimentation d'eau et l'alimentation électrique sont mises à l'arrêt avant toute installation ou réparation.

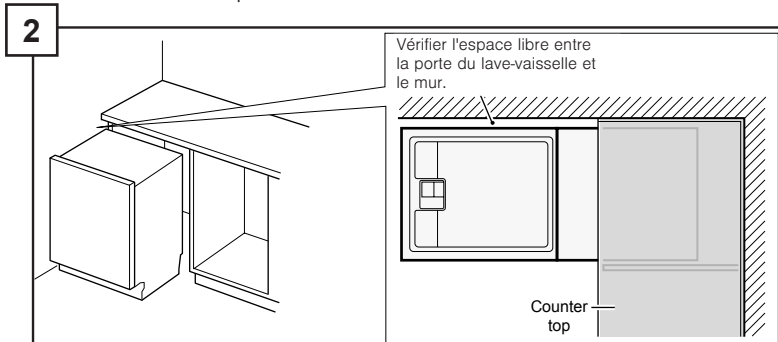
Éviter un choc électrique / Risque d'incendie!

Ne laissez pas les lignes électriques et d'alimentation au toucher.

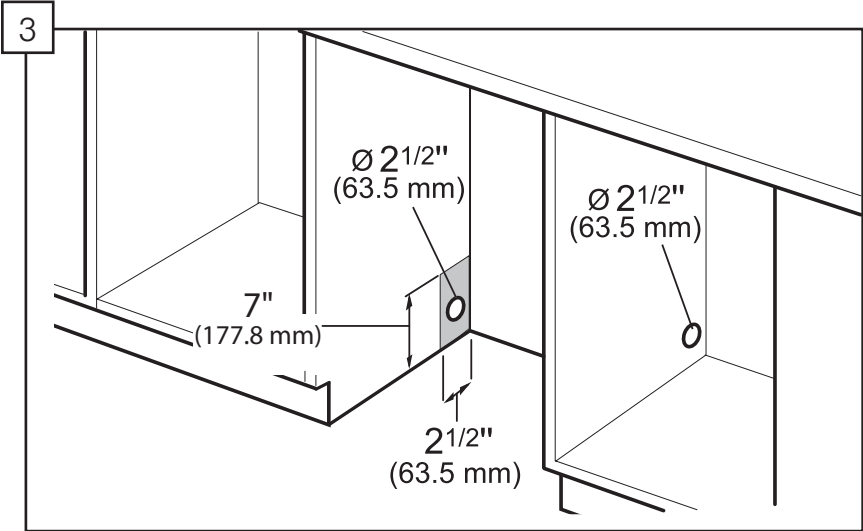


Remarque : ce lave-vaisselle est conçu pour être encastré sous un comptoir, à l'avant et entre deux armoires adjacentes standard d'une habitation.

- Choisir un emplacement aussi près que possible de l'évier afin que les conduites d'alimentation et d'évacuation de l'eau soient facilement accessibles.
- Pour un fonctionnement adéquat et une apparence appropriée du lave-vaisselle, s'assurer que l'encadrement est d'équerre et présente les dimensions indiquées ici.

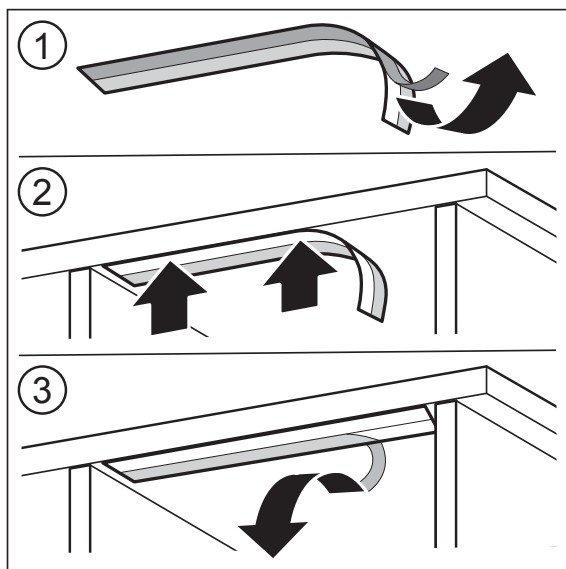


- Si le lave-vaisselle doit être installé dans un coin, s'assurer qu'il y a un espace libre suffisant pour ouvrir la porte tel qu'illustré.

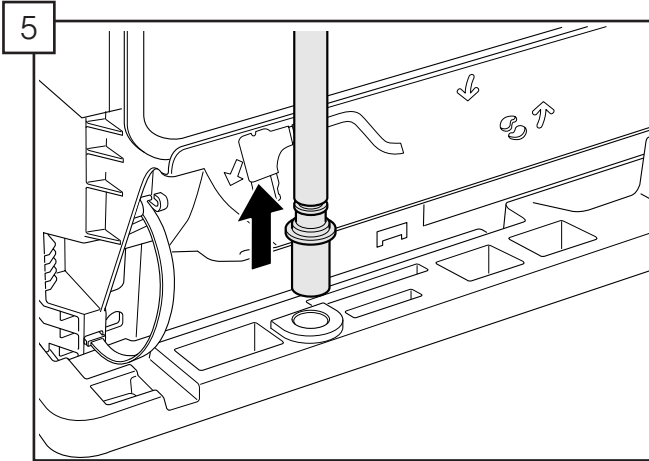


- Après avoir choisi un endroit approprié pour votre lave-vaisselle, créer les ouvertures requises pour les connexions d'eau, d'évacuation et d'électricité sur le côté approprié.
- Les trous devraient être effectués dans la zone de 178 mm x 63.5 mm (7 x 2.5 po) illustrée.
- Si l'ouverture est percée dans du bois, poncer les rebords du trou.
- Si l'ouverture est percée dans du métal, utiliser ce kit Edge Protector with Power Cord clips SMZEPCC1UC.

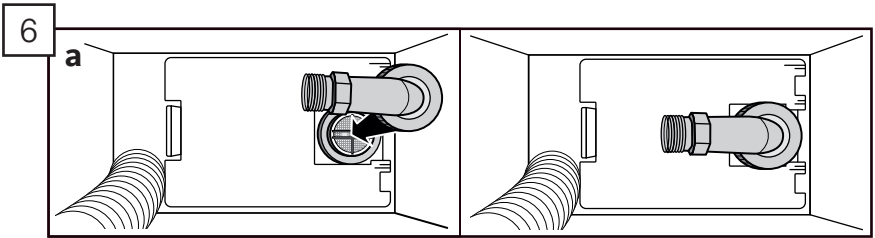
4



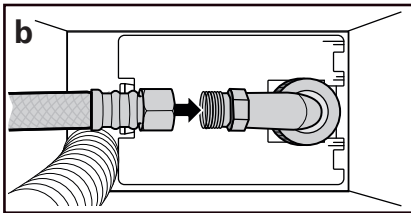
- Une barrière protectrice en plastique est comprise avec certains modèles de lave-vaisselle. * Si le lave-vaisselle a été livré avec cette pièce, retirez-la du dos de l'appareil.
- Nettoyez et séchez le dessous du comptoir qui accueillera le lave-vaisselle.
- Décollez la moitié de la couche à l'arrière et collez la barrière en place. Ne laissez pas d'écart entre la barrière et le bord du comptoir.
- Une fois la barrière en place, retirez l'autre moitié de la couche à l'arrière.



- Retirer le tuyau d'évacuation de l'emballage de la base tel qu'illustré.
- Mettre le panneau de plinthe de côté pour plus tard.



- Attacher le coude au lave-vaisselle dans la direction indiquée. Ne pas trop serrer.



- Fixez la conduite d'eau chaude au coude. Serrez à l'aide de deux clés pour éviter de surcharger la vanne d'arrivée d'eau.

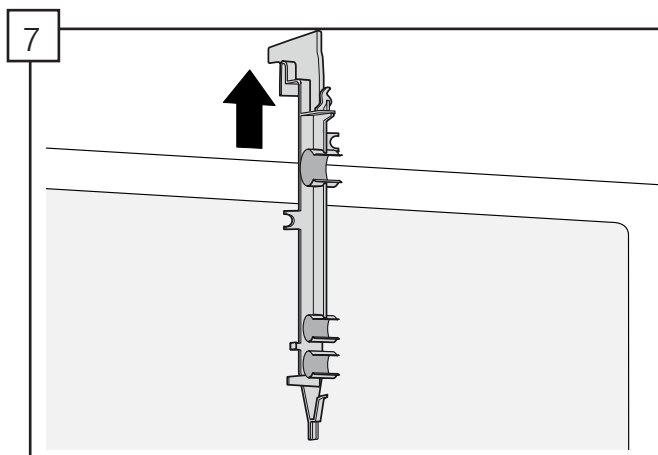
Remarque : Pour une utilisation plus facile, avec quelqu'un tenant l'appareil sur la face avant, inclinez légèrement le lave-vaisselle vers l'avant pour faciliter l'accès au raccord d'entrée d'eau chaude.

⚠ AVERTISSEMENT

NE PAS trop basculer le lave-vaisselle vers l'avant! Cela pourrait causer des blessures graves ou la mort. Toujours demander à un adulte de tenir l'avant de l'appareil lorsque celui-ci est incliné.

REMARQUER

Évitez le croisement des fils! Il peut provoquer des fuites. Après avoir raccordé le tuyau, raccordez temporairement l'alimentation en eau, puis ouvrez le robinet pour vérifier qu'il n'ya pas de fuites.



- Retirer le collier de serrage du tuyau à l'arrière du lave-vaisselle tel qu'illustré. Le collier de serrage peut être utilisé ultérieurement pour fixer le tuyau d'évacuation à l'intérieur de votre armoire.

L'installation électrique

AVERTISSEMENT

Évitez les risques de décharge électrique!

Ne pas tenter d'intervenir sur un circuit sous tension. Vous risquez autrement des blessures graves, voire la mort. Seuls les électriciens qualifiés doivent effectuer des travaux sur l'installation électrique. Ne pas tenter d'intervenir sur le circuit électrique du lave-vaisselle à moins d'être certain que celui-ci est hors tension. Pour éviter toute blessure éventuelle ou dommage à la propriété, il faut veiller à ce que le lave-vaisselle soit installé ou enlevé afin de réduire la probabilité d'endommager le cordon d'alimentation.

Évitez les risques d'incendie!

Assurez-vous que les travaux électriques sont correctement installés et vérifiés par des électriciens qualifiés.

S'assurer que les branchements électriques sont bien serrés.

S'assurer que tous les branchements électriques sont bien faits.

Des raccordements électriques desserrés ou mal installés peuvent entraîner une surchauffe!

Respectez les précautions suivantes pour éviter les risques d'incendie.

Prises murales :

Uniquement le câble d'alimentation fourni pour brancher l'appareil dans une prise murale.

N'attachez pas de câble d'extension, un autre type de câble modifié ou un adaptateur avec cet appareil.

ÉVITEZ de fendre ou de trancher le câble d'alimentation.

ÉVITEZ de modifier le câble d'alimentation d'une façon quelconque.

Connexions filaires permanentes (en plus des avertissements précédents) :

Utilisez uniquement le câble d'alimentation de la boîte de jonction, vendue en tant que trousse d'accessoire #SMZPCJBIUC.

Lisez attentivement les instructions d'installation du bornier.

Ne retirez, ne modifiez et ne contournez pas le bornier.

Alimentation électrique

Le client a la responsabilité de vérifier que l'installation électrique du lave-vaisselle est conforme à tous les codes et ordonnances électriques nationaux et locaux. Le lave-vaisselle a été conçu pour fonctionner avec une alimentation électrique en courant alternatif de 120 volts, 60 Hz, connectée à un circuit électrique correctement mis à la terre, conçu pour les lave-vaisselle, avec protection par fusible ou disjoncteur d'une puissance de 15-20 ampères.

Caractéristiques électriques du lave-vaisselle

Volts	Hertz	Amperes	Watts
120	60	12	1,440 (max)

Instructions de mise à la terre

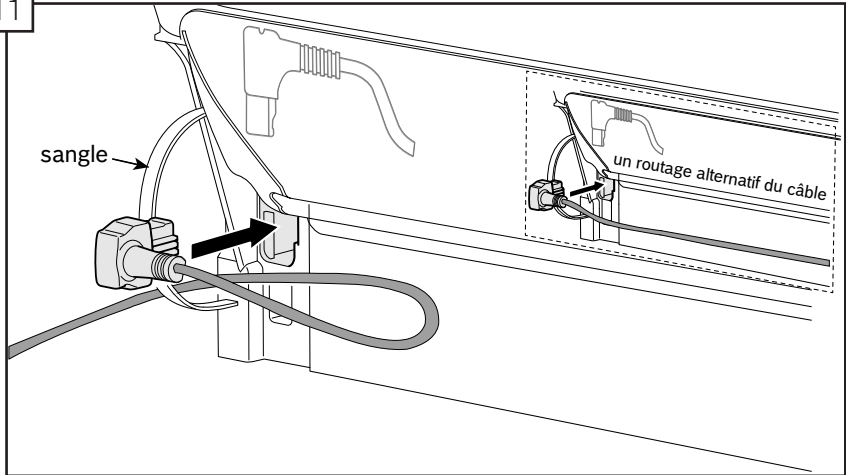
Cet appareil doit être raccordé à un système de câblage permanent mis à la terre ou un conducteur de mise à la terre du matériel doit être utilisé avec les conducteurs du circuit et raccordé à la borne de mise à la terre de l'appareil ou au fil conducteur du lave-vaisselle.

Ne pas utiliser de rallonge.

S'assurer que le lave-vaisselle est relié à une masse adéquate conformément à tous les codes locaux, et en l'absence de code local, au CODE NATIONAL D'ÉLECTRICITÉ aux États-Unis ou au CODE D'ÉLECTRICITÉ DU CANADA, C22.1, dernière édition au Canada, ainsi qu'aux codes provinciaux, d'état ou municipaux qui s'appliquent.

Remarque : Installations utilisant filaires permanentes

Le modèle de bornier accessoire / boîte de jonction, SMZPCJB1UC, conçu pour une connexion filaire permanente, n'est pas inclus, mais peut être commandé auprès du service clientèle en composant le 1-800-944-2904. Suivez les instructions fournies avec le kit.



- Brancher l'extrémité du cordon d'alimentation à l'arrière du lave-vaisselle tel qu'illustré. Assurez-vous qu'il passe à travers la sangle du côté droit ou gauche du lave-vaisselle.
- La prise du cordon d'alimentation doit être située dans une armoire ou un mur adjacent à l'armoire du lave-vaisselle.
- Ne branchez pas le lave-vaisselle avant que toutes les étapes d'installation soient terminées.

Remarque: utilisez uniquement le cordon d'alimentation inclus. Si le câble est manquant, commandez le kit SMZPC002UC auprès du service client.

Remarque: Si des clips sont nécessaires pour le cordon d'alimentation, utilisez le kit Edge Protector with Power Cord clips SMZEPCC1UC.

Installation des pattes de fixation

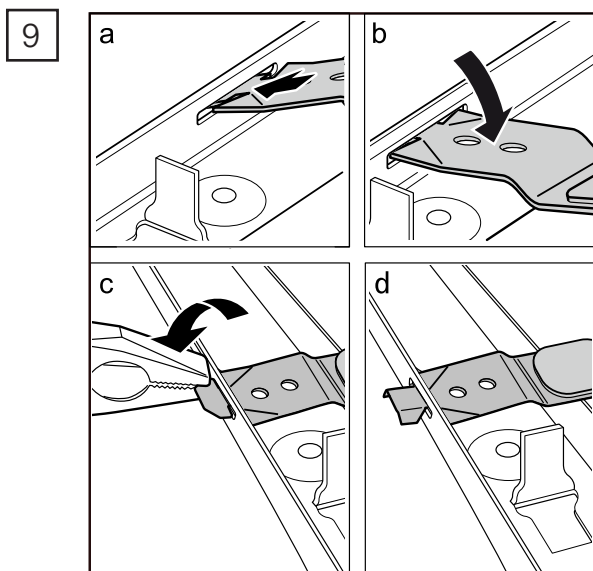
AVERTISSEMENT

Éviter les dangers de basculement!

Ne pas utiliser le lave-vaisselle tant que l'installation n'est pas complètement terminée. Pour ouvrir la porte d'un lave-vaisselle dont l'installation n'est pas terminée, agir avec prudence et en soutenant la partie arrière de l'appareil. Le non respect de cet avertissement risque d'entraîner de graves blessures.

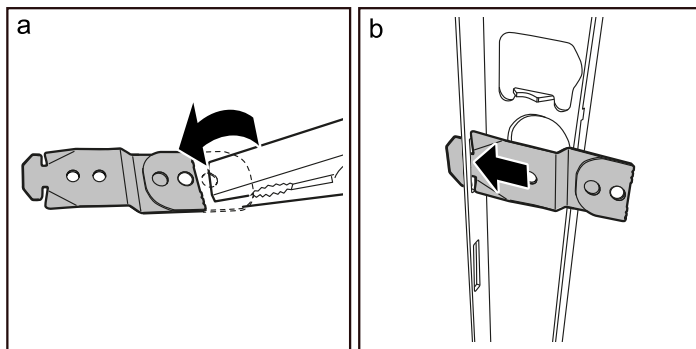
Avant d'installer les pattes de fixation pour comptoir fournies, déterminer quelle méthode sécuritaire doit être utilisée pour installer le lave-vaisselle dans son emplacement. Une fois les pattes de fixation installées sur le lave-vaisselle, il sera difficile de les retirer sans les abîmer ou sans abîmer le lave-vaisselle.

Si vous avez un panneau entièrement intégré, ne pas installer les pattes de fixation avant d'avoir fixé le panneau à la porte.



- Le montage par le dessus est utilisé pour les comptoirs en bois ou autres matériaux faciles à percer. Si vous avez des solides comptoirs de surface, passer à l'étape 9.
- Si un isolant recouvre la zone à l'étape 9a, le replier avant de procéder.
- Placer les pattes de fixation (D) tel qu'illustré. Veuillez prendre note de la position de la patte de fixation dans l'illustration 9b.
- À l'aide de pinces, plier les rebords vers le bas tel qu'illustré à 9c de façon à ce que les pattes ne puissent pas sortir des fentes.

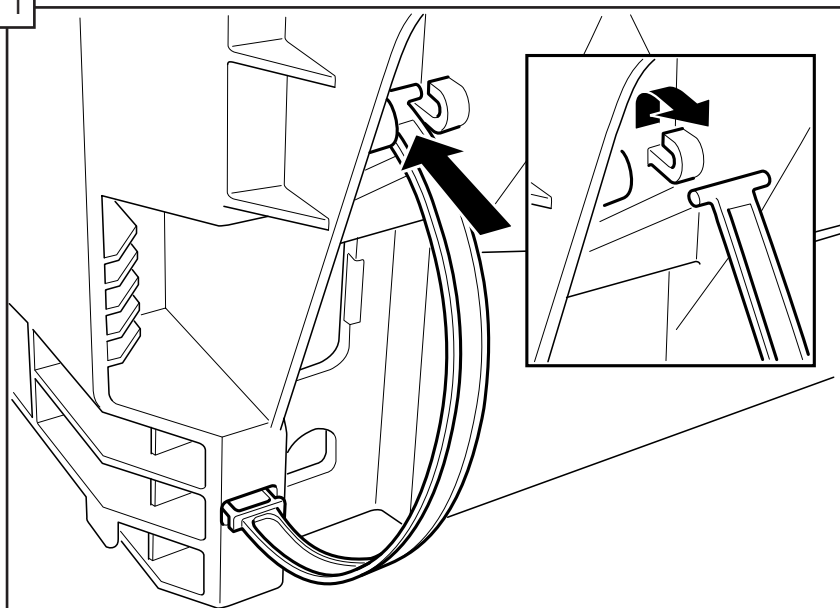
10



- La méthode de fixation latérale est utilisée pour les comptoirs en marbre, granite ou autres matériaux très durs qui sont difficiles à percer.
- Fixez le support de montage (D) avec des pinces à la perforation et pliez-le sur lui-même comme le montre la figure 10a.
- Glissez les rebords des pattes dans les fentes latérales de l'armature tel qu'illustré en 10b.
- À l'aide de pinces, des brides latérales plier vers le bas comme représenté sur 9c et 9d de sorte que le support ne glisse pas hors de la fente dans le cadre. Ne pas fixer immédiatement à l'armoire.

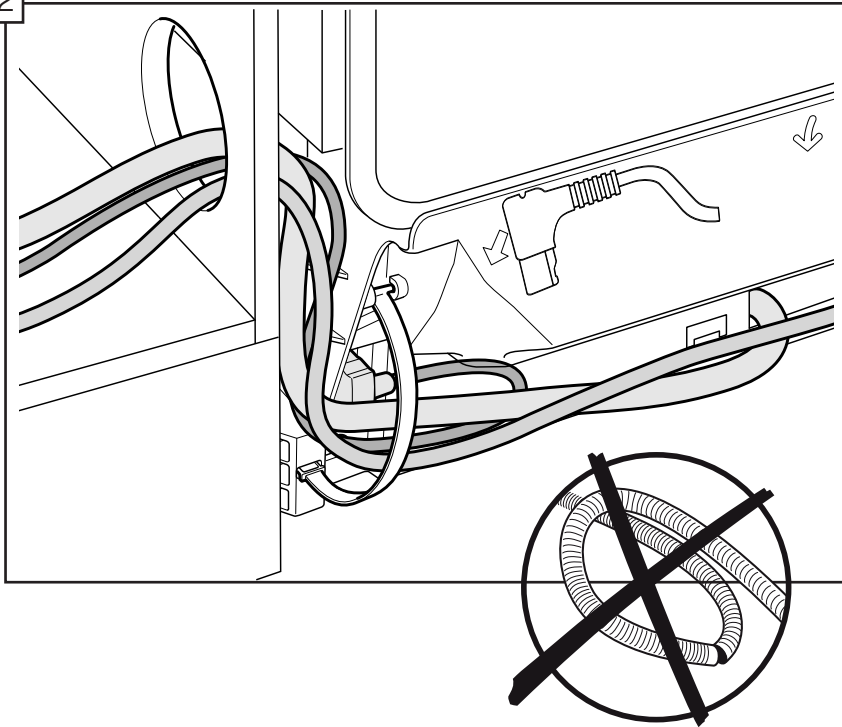
Positionner le lave-vaisselle

11



- Si votre évier se trouve à la droite de l'endroit où vous installez le lave-vaisselle, vous devrez repositionner les tuyaux et cordon d'alimentation derrière le lave-vaisselle avant l'installation.
- Pour y parvenir, vous pouvez décrocher l'attache des tuyaux à l'arrière du lave-vaisselle et les repositionner en fonction de vos besoins.
- Si votre évier se trouve à gauche, vous pouvez laisser les tuyaux et le cordon d'alimentation comme ils sont venus.

12

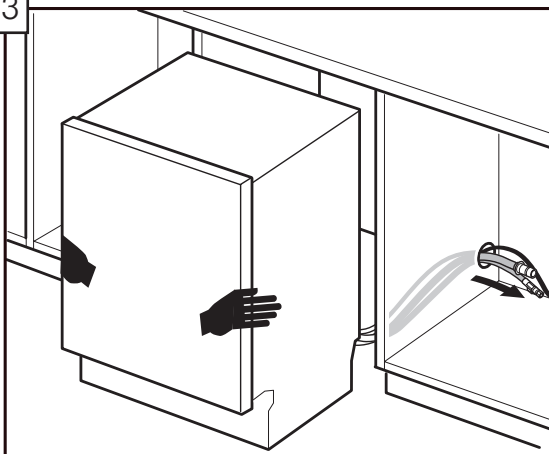


- Repositionner les tuyaux et le cordon d'alimentati pour qu'ils passent par l'attache et de l'autre côté.
- S'assurer de remettre l'attache en place pour bien fixer les tuyaux en place tel qu'illustré.

AVIS

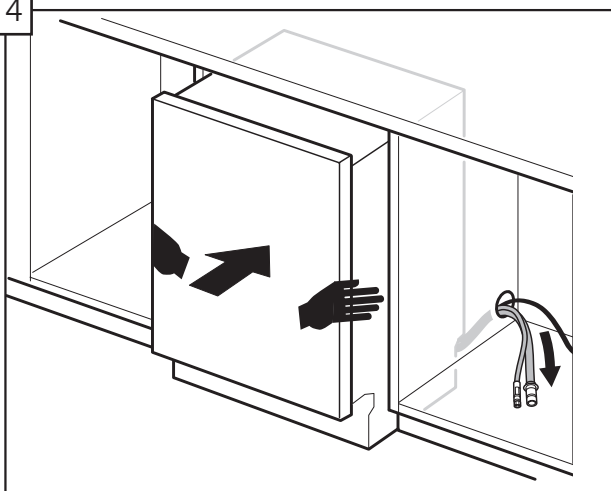
Assurez-vous de tirer les flexibles à fond dans l'armoire adjacente tout en pousser le lave-vaisselle à l'intérieur. Sinon, les tuyaux risquent de se plier, de se tordre ou de se briser, ce qui pourrait causer des obstructions ou des fuites.

13



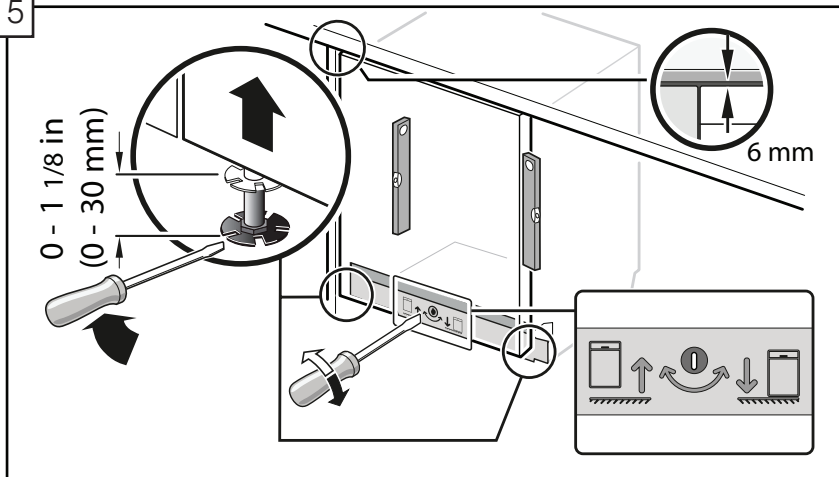
- Protéger la surface du sol pour éviter les rayures et faire glisser le lave-vaisselle à l'intérieur de l'armoire avec prudence. Utiliser les mains sur les deux côtés du lave-vaisselle pour pousser l'appareil de façon égale.
- Tirer les tuyaux d'alimentation, d'évacuation de l'eau et le cordon d'alimentation par le trou dans l'armoire tel qu'illustré.

14



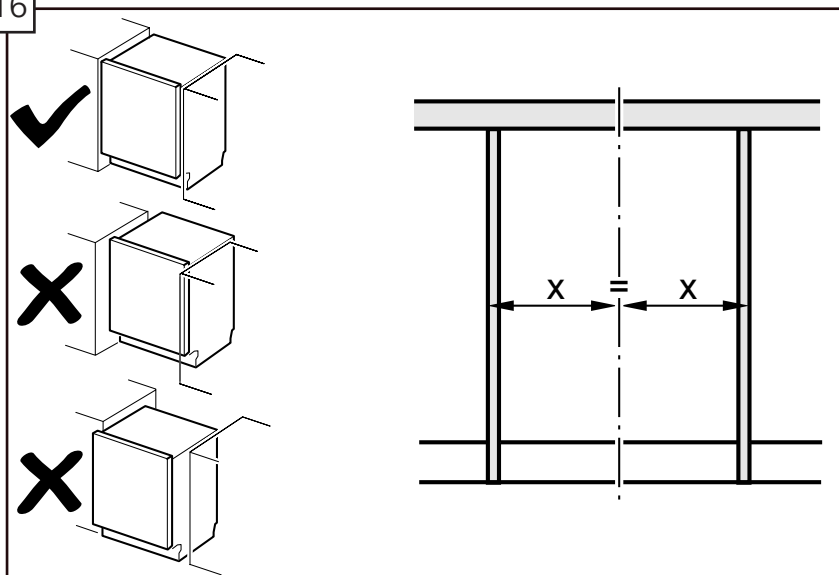
- Pousser l'appareil aux 2/3 de sa position finale dans l'ouverture avant d'arrêter.
- Accéder à l'armoire adjacente et tirer les tuyaux et toute longueur excédentaire du cordon d'alimentation pour éviter les nœuds.
- Pousser l'appareil jusqu'à ce qu'il soit au niveau avec la porte de l'armoire.

15



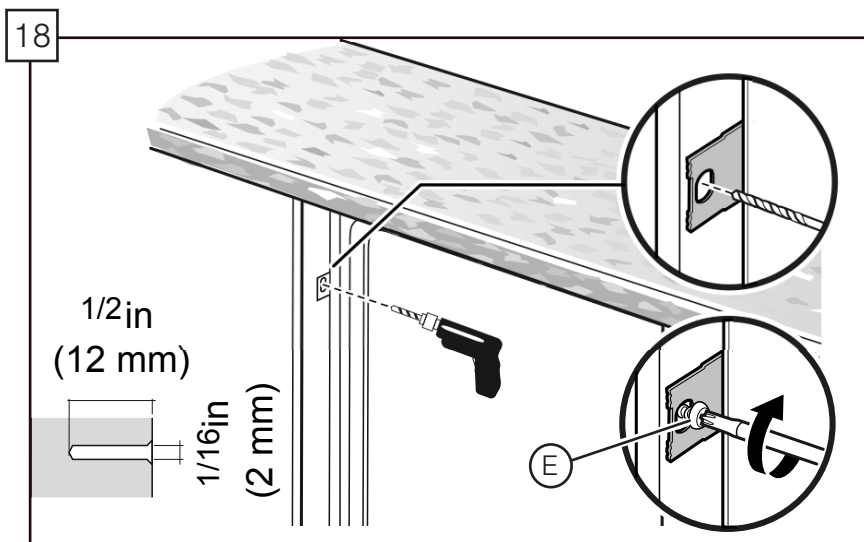
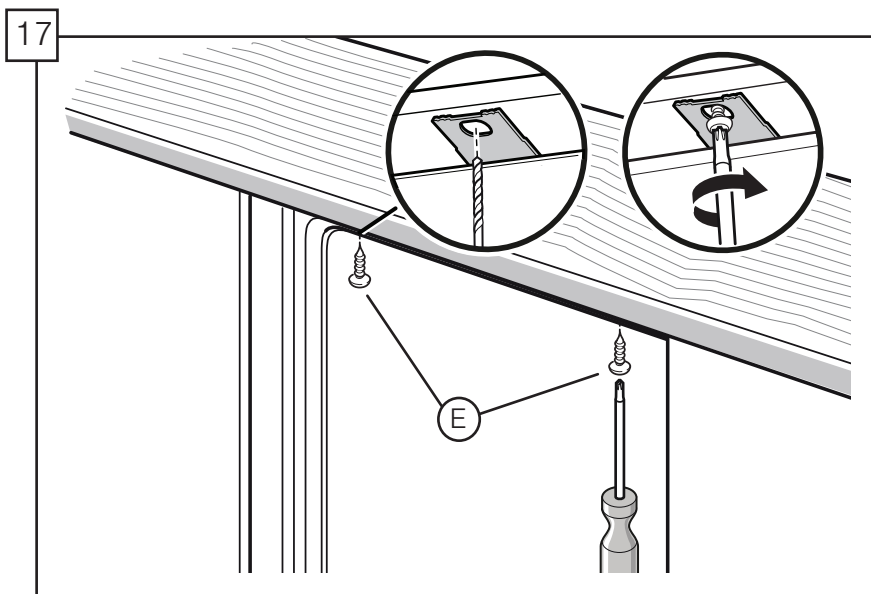
- Ajuster les pattes tel qu'illustré pour soulever l'appareil et le mettre à niveau avec le comptoir.
- Utiliser un niveau pour vérifier que le lave-vaisselle est bien au niveau.
- Mettre le lave-vaisselle à niveau des deux côtés en tournant les pieds dans le sens des aiguilles d'une montre pour soulever l'avant de l'appareil ou en sens inverse des aiguilles d'une montre pour l'abaisser.
- Mettre le devant et l'arrière du lave-vaisselle à niveau en tournant la vis centrale pour soulever ou abaisser l'arrière de l'appareil.

16



- Centrer le lave-vaisselle dans l'ouverture avant de le fixer à l'armoire ou au comptoir de cuisine tel qu'illustré.

Sécuriser le lave-vaisselle



- Insérer les vis de fixation (E) dans les trous des pattes de fixation tel qu'illustré pour l'installation avec fixation supérieure (17) ou latérale (18).

Raccordements d'arrivée d'eau

AVERTISSEMENT

Évitez les brûlures ou les risques de secousse électrique!

Ne pas tenter de travailler sur une conduite d'eau chaude chargée. De graves blessures pourraient survenir. Seuls les plombiers qualifiés doivent effectuer des travaux sur la tuyauterie. Ne tentez pas d'intervenir sur la tuyauterie d'alimentation d'eau chaude du lave-vaisselle tant que vous n'êtes pas certain que l'alimentation d'eau chaude est coupée.

AVIS

Les températures nécessaires pour souder et exsuder peuvent endommager le lave-vaisselle. Si la tuyauterie a besoin d'une soudure ou d'une exsudation, maintenir la source de chaleur à 6 pouces (152,4 mm) minimum de distance du lave-vaisselle.

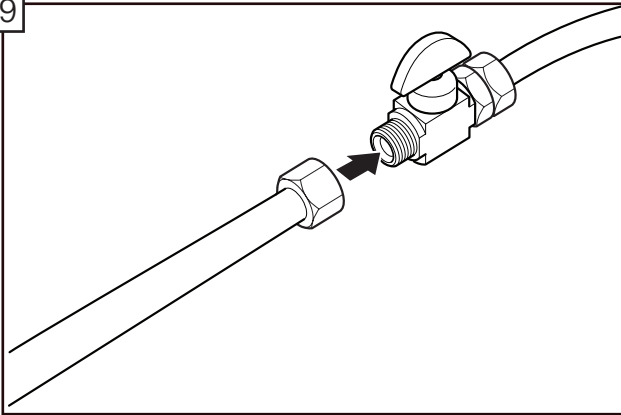
Alimentation d'eau chaude

Le chauffe-eau doit être réglé de façon à ce que l'eau qui alimente le lave-vaisselle soit chauffée à une température approximative de 120° F (49° C). Si la température de l'eau est trop élevée, elle diminue l'efficacité du détergent. Si la température de l'eau est trop basse, la durée de lavage sera plus longue. La pression d'alimentation d'eau chaude doit être comprise entre 15 et 145 psi (1 et 10 bars).

REMARQUE:

- En cas d'utilisation d'un joint de soudure au lieu d'un raccord à compression, s'assurer que toutes les soudures sont faites avant de brancher le tuyau d'alimentation d'eau sur le lave-vaisselle.
- S'assurer que la conduite d'eau n'est ni pliée ni tordue afin d'éviter toute obstruction de l'écoulement de l'eau.
- Toujours utiliser les joints appropriés pour effectuer les raccordements sanitaires.
- Avant de brancher le tuyau d'alimentation d'eau sur le lave-vaisselle, faire couler l'eau de la conduite d'arrivée pendant environ 5 minutes pour éliminer les corps étrangers.
- Une fois les raccordements terminés, ouvrir l'alimentation d'eau et vérifier s'il y a des fuites.
- Consulter les codes de plomberie locaux pour connaître les procédures et accessoires de plomberie approuvés. Tous les travaux de plomberie doivent être réalisés conformément aux codes nationaux et locaux.
- Si vous utilisez des tubes en cuivre ou d'un matériau différent pour l'alimentation en eau, faire appel à un plombier autorisé afin d'assurer une installation adéquate.

19

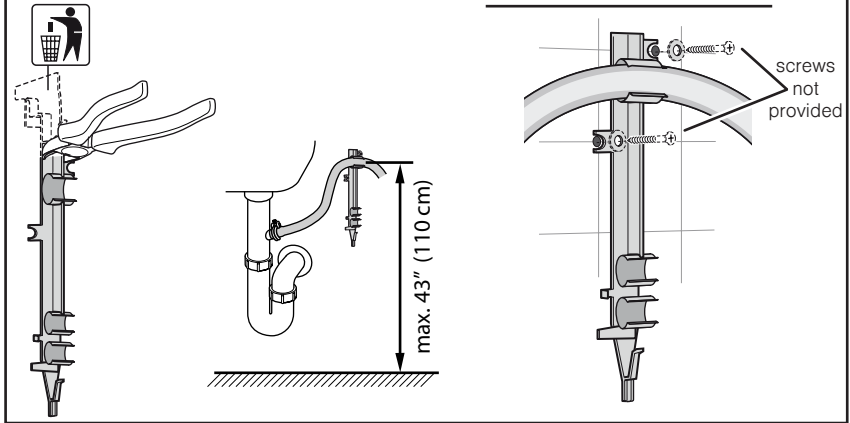


- Brancher la conduite d'alimentation en eau du lave-vaisselle à la soupape d'arrêt d'eau. Si l'un n'est pas déjà dans la ligne d'approvisionnement, installez un (non fourni).
- Vous devez utiliser un conduit d'eau pour lave-vaisselle homologué avec les raccords adéquats pour effectuer ce branchement.
- Une fois tous les raccordements effectués, ouvrir l'alimentation en eau chaude et vérifier s'il y a des fuites.

Raccordements d'évacuation

REMARQUE:

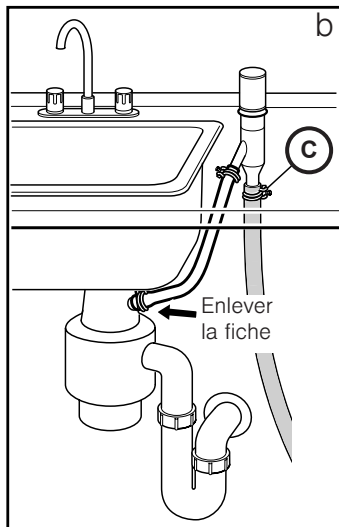
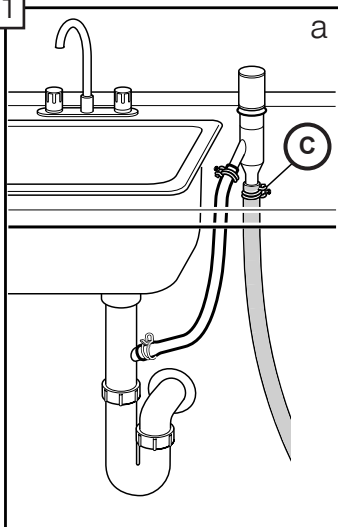
- Si la réglementation locale exige un dispositif de coupure anti-retour, en installer un conformément aux instructions du fabricant.
- Si le tuyau de vidange du lave-vaisselle doit être branché sur le raccordement de vidange de lave-vaisselle d'un broyeur à déchets, retirer le bouchon du raccordement de vidange de lave-vaisselle du broyeur.
- Le tuyau de vidange du lave-vaisselle doit être solidement fixé en un point sur sa longueur à 33 pouces au-dessus du plancher.
- La longueur du tuyau de vidange peut être augmentée si nécessaire. Utiliser kit #SGZ1010UC. La longueur maximale du tuyau de vidange, y compris le flexible relié au dispositif de coupure anti-retour, est de 150 pouces.



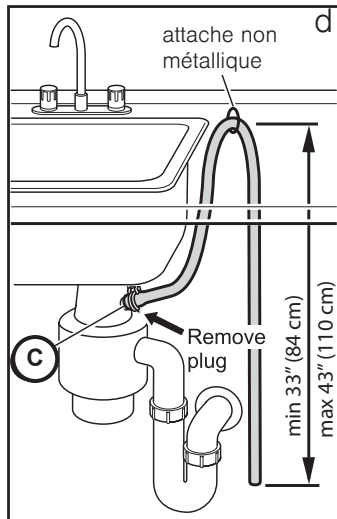
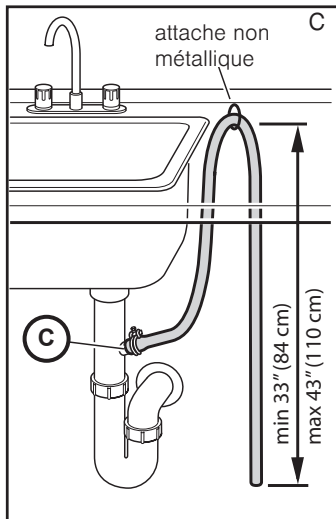
- Vous pouvez utiliser la pièce retirée à l'étape 7 et la fixer à l'intérieur de l'armoire pour accrocher le tuyau d'évacuation tel qu'illustré (les vis ne sont pas comprises) plutôt que d'utiliser une attache non métallique comme le montrent les illustrations suivantes. Ne pas dépasser une hauteur de 110 cm (43 po) pour la hauteur du tuyau d'évacuation.
- Le tuyau d'évacuation du lave-vaisselle doit être installé de façon à ce qu'une partie du tuyau soit à un minimum de 84 cm (33 po) au-dessus du plancher de l'armoire; autrement, le lave-vaisselle risque de ne pas se vider correctement.

REMARQUE : Placer la bride du tuyau autour de l'extrémité du tuyau d'évacuation AVANT de le brancher à la tuyauterie.

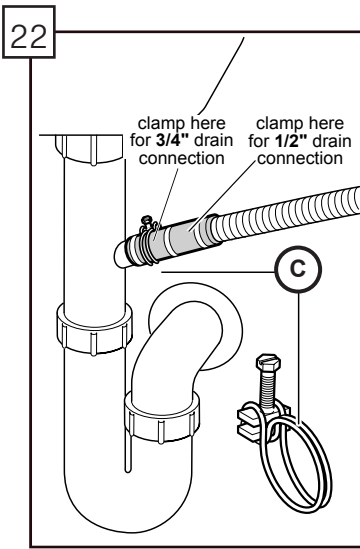
21



- Le tuyau d'évacuation du lave-vaisselle peut être branché sur la tuyauterie d'évacuation à l'aide d'un entrefer de l'une des deux manières suivantes :
 - En le branchant au raccord d'évacuation de lave-vaisselle sous l'évier (21a).
 - En le branchant au raccord d'évacuation de lave-vaisselle d'un broyeur (21b).

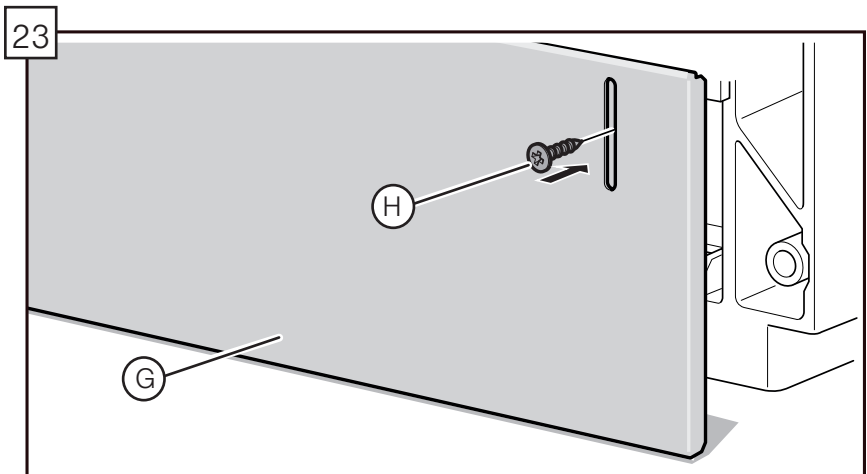


- Le tuyau d'évacuation du lave-vaisselle peut être branché sur la tuyauterie d'évacuation à l'aide d'une boucle surélevée de l'une des deux manières suivantes:
 - En le branchant au raccord d'évacuation de lave-vaisselle sous l'évier (21c).
 - En le branchant au raccord d'évacuation de lave-vaisselle d'un broyeur (21d).



- Utiliser la bride fournie (C) pour fixer l'adaptateur de tuyau d'évacuation à la tuyauterie résidentielle tel qu'illustré.

Fixation du panneau de pointe

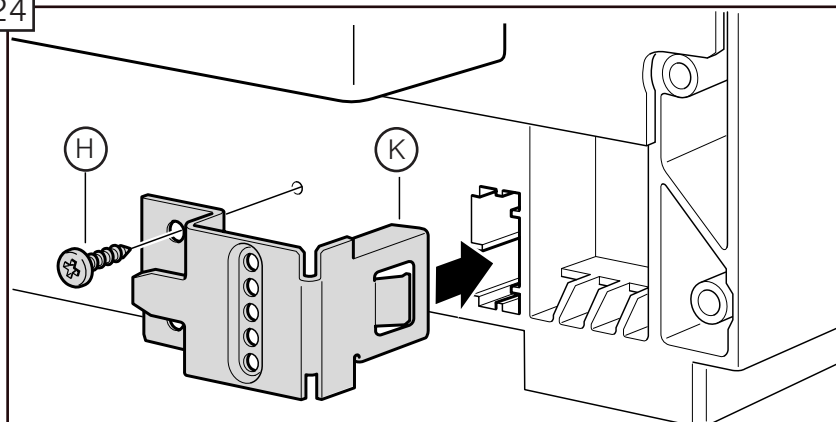


Si votre lave-vaisselle comprend un panneau de plinthe à fentes (G), seulement, suivre les instructions suivantes; sinon passer à l'étape 28.

Remarque : Si vous utilisez le panneau de plinthe fendue montré en 27 ci-dessus, entre parenthèses, puis en métal de montage montrant en 28 n'est pas nécessaire.

- Placer le panneau de plinthe à fentes (G) sur le lave-vaisselle. Le laisser reposer sur le sol.
- Fixer à l'aide des vis (H) tel qu'illustré. Utiliser seulement les vis fournies afin d'éviter d'endommager le lave-vaisselle. Le panneau de plinthe devrait maintenant être au niveau par rapport au plancher. L'installation est maintenant terminée!

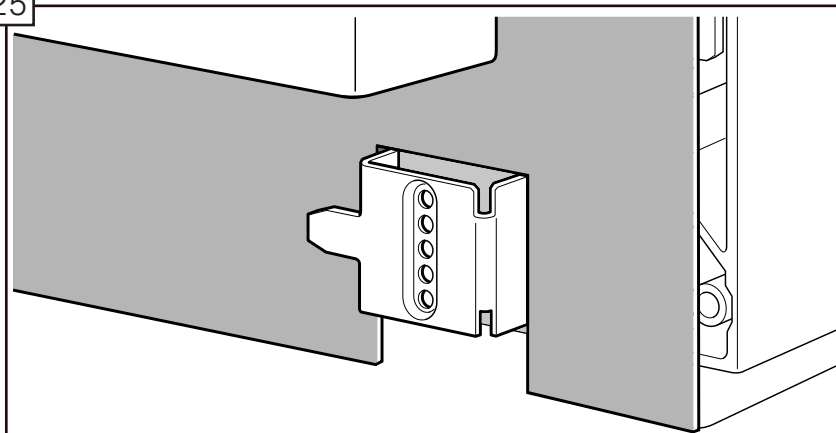
24



Si votre lave-vaisselle comprend un panneau de plinthe sans fente (I) et des pattes de fixation de panneau de plinthe (K), suivre les instructions suivantes; sinon passer à l'étape 31.

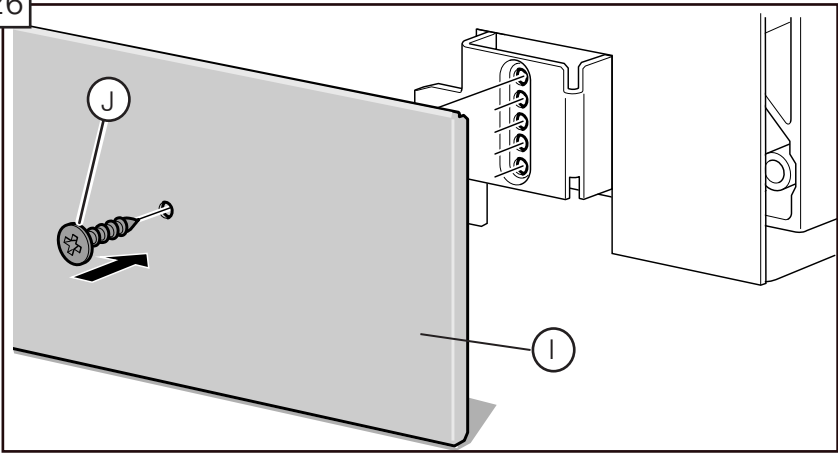
- Placer les pattes de fixation métalliques (K) dans les ouvertures des deux côtés de la base tel qu'illustré.
- Utiliser la vis (H) pour fixer les pattes de fixation métalliques à la base tel qu'illustré.

25



- Placer le tablier en caoutchouc préinstallé derrière les crochets des pattes de fixation métalliques tel qu'illustré.

26

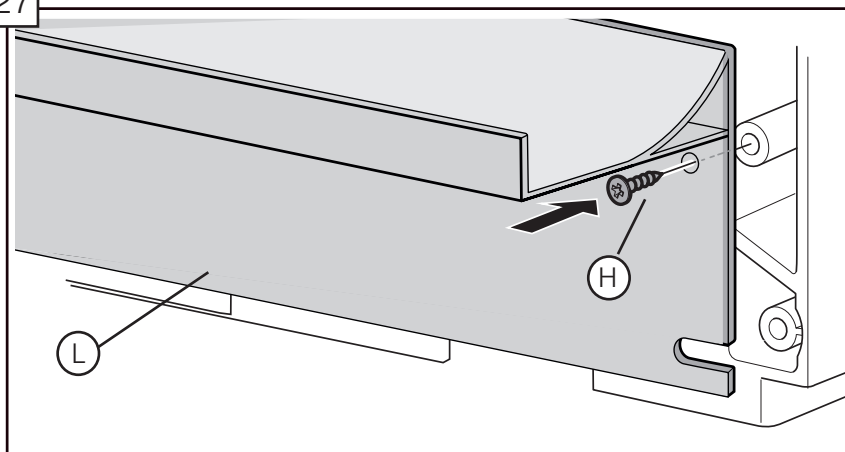


- Glisser le panneau de plinthe métallique en position en vous assurant que le bas du panneau est au niveau par rapport au sol. Utiliser la vis (J) pour fixer le panneau de plinthe par le trou pour qu'il soit aligné avec les pattes de fixation métalliques (K) tel qu'illustré.

Remarque : La hauteur du panneau de plinthe peut être ajustée en le visant dans un trou différent de la patte de fixation.

- Vérifier que le tablier est installé convenablement en ouvrant la porte. S'assurer que le tablier ne s'entremêle pas et qu'il peut bouger librement vers le haut et le bas derrière le panneau de plinthe. L'installation est maintenant terminée!

27

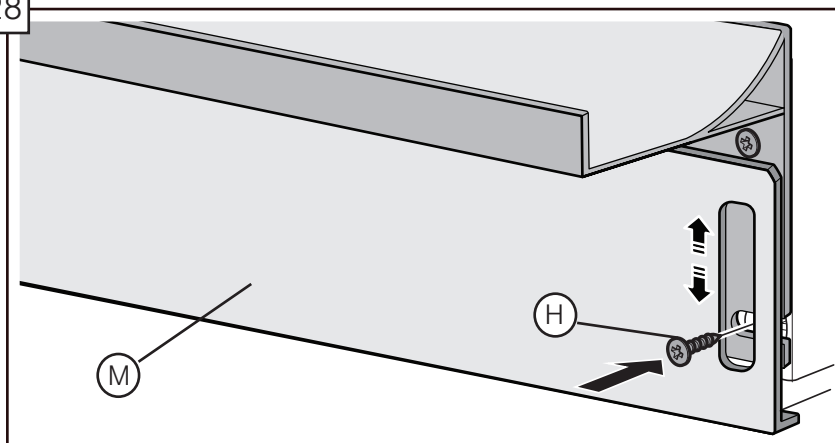


Si votre lave-vaisselle comprend un panneau de plinthe en plastique (L), et panneau de plinthe à fentes (M), suivre les instructions suivantes:

Remarque : Si vous utilisez le panneau de plinthe en plastique 31 ci-dessus, entre parenthèses, puis en métal de montage montrant en 28 n'est pas nécessaire.

- Aligner la plaque de protection en plastique avec les trous à la base du lave-vaisselle.
- Fixer à l'aide des vis tel qu'illustré. Utiliser seulement les vis fournies afin d'éviter d'endommager le lave-vaisselle.

28



- Glisser en position la plaque de protection de métal en s'assurant qu'elle est à ras avec le plancher. Utiliser seulement les vis fournies afin d'éviter d'endommager le lave-vaisselle. L'installation est maintenant terminée!

Service après-vente

Votre lave-vaisselle ne nécessite aucun entretien particulier autre que celui décrit dans la section « Nettoyage et entretien » du Guide d'Utilisation et d'Entretien. Si vous avez des problèmes avec votre lave-vaisselle, avant d'appeler un service d'entretien et de réparation, consultez la section d'auto-assistance de votre guide. Si un dépannage s'avère nécessaire, communiquez avec votre marchand ou avec l'installateur ou adressez-vous à un centre de service agréé.

Ne pas tenter d'effectuer soi-même une réparation sur l'appareil. Toute réparation effectuée par du personnel non agréé peut entraîner l'annulation de la garantie. Si vous avez un problème avec votre lave-vaisselle et n'êtes pas satisfait de la prestation de service qui vous a été offerte, veuillez effectuer les étapes suivantes (dans l'ordre indiqué ci-après) jusqu'à ce que le problème soit résolu à votre entière satisfaction :

1. Communiquez avec votre installateur ou avec le prestataire de service agréé de votre localité.
2. Écrivez-nous à l'adresse ci-dessous :
BSH Home Appliances Corporation
1901 Main Street
Irvine, CA 92614
3. Appelez le service après-vente au numéro fourni : **1-800-944-2904**

Assurez-vous d'inclure (si vous écrivez) ou d'avoir à votre disposition (si vous téléphonez) les informations suivantes :

- Le numéro de modèle (SH_ _ _ _ _ _ _ _)
- Le numéro de série (_ _ _ _ _ _ _ _ _ _)
- La date d'achat d'origine (mm/dd/yyyy)
- La date à laquelle le problème s'est produit (mm/dd/yyyy)
- Une explication du problème
- Le numéro de téléphone où vous pouvez être joint dans la journée.

Veuillez faire une copie de votre facture et la conserver avec ce guide. Le client doit fournir une preuve d'achat pour bénéficier du service de garantie.

Definiciones de seguridad

ADVERTENCIA

Esto indica que pueden producirse heridas graves o incluso la muerte si no se cumple con esta advertencia.

PRECAUCIÓN

Esto indica que pueden producirse heridas leves o moderadas si no se cumple con esta advertencia.

AVISO

Esto indica que pueden producirse daños en el aparato o en los bienes si no se cumple con este aviso.

Nota: Esto alerta sobre información y/o sugerencias importantes.

Tabla de contenido

Instrucciones de seguridad	2
Cómo evitar peligros generales	3
Herramientas y materiales	4
Requisitos del recinto	7
Connections eléctricas	13
Instalación de los soportes de montaje	16
Colocación del lavavajillas	18
Asegurar el lavavajillas	22
Conexiones de agua de entrada	23
Conexiones del drenaje	24
Cómo colocar el panel de pie	27
Servicio al cliente	31



Instrucciones de seguridad importantes:

Por favor lea y guarde esta información

Para evitar posibles lesiones o daños materiales, RESPETE TODAS LAS ADVERTENCIAS Y PRECAUCIONES.

ADVERTENCIA:

Estas instrucciones están diseñadas para ser usadas únicamente por instaladores calificados. La lavadora de platos debe ser instalada por un técnico de servicio técnico o instalador calificado.

- Además de estas instrucciones, la lavadora de platos debe instalarse de conformidad con todos los códigos y las ordenanzas de electricidad y de plomería (nacionales y locales).

Lea estas instrucciones de instalación completamente y sígalas con cuidado. Le ahorrarán tiempo y esfuerzo, y le ayudarán a asegurarse de que el rendimiento de la lavadora de platos sea óptimo y seguro.

IMPORTANTE

- La manguera de drenaje de la lavadora de platos debe instalarse manteniendo una parte de esta, al menos, a una distancia de 33" (84 cm) del piso del gabinete; de lo contrario, es posible que la lavadora de platos no drene correctamente.
- Esta lavadora de platos ha sido diseñada para uso residencial en interiores únicamente y no debe usarse en establecimientos comerciales de servicios de comidas.
- Este lavavajillas está diseñado para ser cerrado en la parte superior y ambos lados por los gabinetes.
- **NUEVA INSTALACIÓN:** si la lavadora de platos es una instalación nueva, la mayoría del trabajo debe realizarse antes de que la lavadora de platos sea colocada en su lugar.
- **REEMPLAZO:** si la lavadora de platos reemplaza a otra lavadora de platos, verifique las conexiones de la lavadora de platos existente para ver la compatibilidad con la nueva lavadora de platos y reemplace las piezas según sea necesario.
- Este electrodoméstico cumple con la norma CAN/CSA-C22.2 n.º 167/UL 749. Es responsabilidad del propietario y del instalador determinar si se aplican otros requisitos y normas en instalaciones específicas.
- Esta unidad no está destinada para uso en exteriores.



ADVERTENCIA

Cómo evitar peligros generales

Para reducir el riesgo de descarga eléctrica, incendio o lesiones personales, el instalador debe asegurarse de que el lavaplatos esté completamente cerrado en el momento de la instalación.

Use la lavadora de platos únicamente cuando esté completamente instalada. Al abrir la puerta de una lavadora de platos que no está instalada, abra la puerta con cuidado mientras sostiene la parte posterior de la unidad. No seguir esta advertencia puede provocar que la lavadora de platos se caiga, lo que ocasiona lesiones graves.

Antes de instalar los soportes de montaje en “L” para la encimera suministrados con la unidad (solo en algunos modelos), decida qué método se usará para asegurar la lavadora de platos en su abertura. Una vez que estos soportes de montaje están instalados en la lavadora de platos, es difícil retirarlos, y esto daña los soportes de montaje y la lavadora de platos.

En algunas condiciones, se puede formar gas hidrógeno en un sistema de agua caliente que no se ha utilizado durante semanas. El gas hidrógeno es explosivo. Antes de llenar una lavadora de platos con un sistema que ha estado apagado durante semanas, deje correr agua de un grifo cercano en un área bien ventilada hasta que no haya sonido ni evidencia de gas.

Retirar cualquier cubierta o jalar la lavadora de platos del gabinete puede hacer que queden expuestas las conexiones de agua caliente, la alimentación eléctrica, y puntas o bordes filosos. Manipule la unidad con cuidado.

Advertencia en virtud de la Proposición 65 :

Este producto puede contener un químico que el Estado de California reconoce como potencialmente cancerígeno o causante de daños reproductivos. Por tanto, su producto debe llevar en su embalaje la siguiente etiqueta de conformidad con la legislación de California:

ADVERTENCIA EN VIRTUD DE LA PROPOSICIÓN 65 DEL ESTADO DE CALIFORNIA:

 **ADVERTENCIA**

Cáncer y daño reproductivo - www.P65Warnings.ca.gov

Inspeccione la lavadora de platos

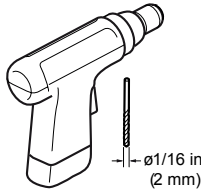
Después de desembalar la lavadora de platos y antes de la instalación, inspeccione exhaustivamente la unidad para detectar posibles daños estéticos u ocasionados por el transporte. Reporte de inmediato cualquier daño. Los defectos estéticos deben reportarse en un período de 30 días después de la instalación.

NOTA: No deseche ninguna bolsa ni artículo suministrado con el paquete original hasta que se haya completado toda la instalación.

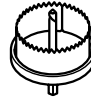
Herramientas y materiales necesarios



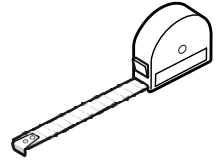
Llave ajustable



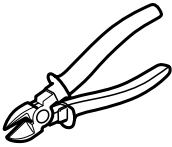
Taladro



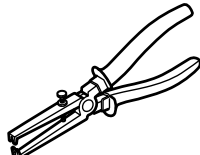
Sierra de agujero



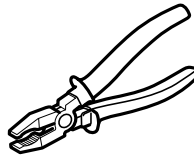
Cinta métrica



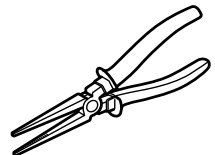
Cortador de cables



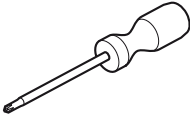
Separador de alambre



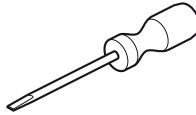
Alicates



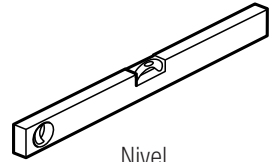
Alicates



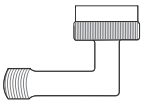
Destornillador Phillips



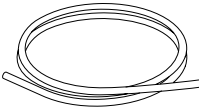
Destornillador de ranura



Nivel

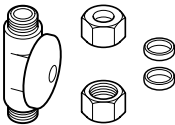


Acoplador acodado con rosca exterior femenina de 3/4" en una extremidad y en otra extremidad del tamaño adecuado para poder conectarlo a la alimentación de agua (tubo de cobre/accesorios su jetadores de compresión o manguera con alambre trenzado).



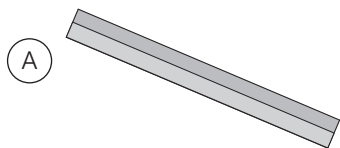
Línea de suministro de agua caliente: tubos de cobre con diámetro externo de 3/8 pulg., como mínimo, o línea de suministro de la lavadora de platos de metal trenzado.

Únicamente necesaria si la línea de suministro de agua de la vivienda no es suficiente.

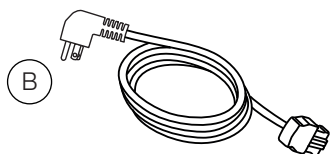


Válvula de cierre y conectores adecuados para la línea de suministro de agua caliente (tubos de cobre/conector de compresión o manguera trenzada).

Materiales suministrados



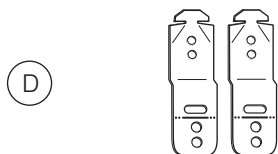
Barrera de vapor
(Incluido con algunos modelos)



cable de alimentación



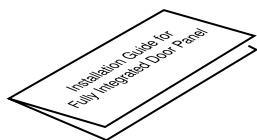
Abrazadera de tornillo (para mangueras)



Soportes de montaje



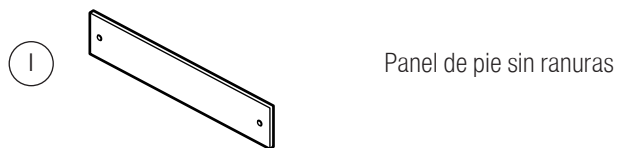
Tornillos para los soportes de montaje
Ø 4x13mm



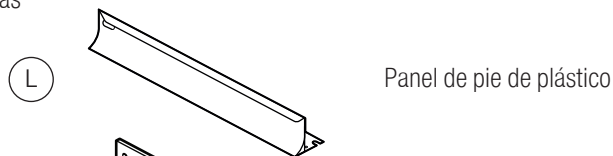
Guía de instalación para panel de puerta completa-
mente integrado

Materiales suministrados

(depende del modelo; Su lavavajillas se suministra con uno de los kits de panel de dedo que se muestra a continuación)



e con ranuras



Requisitos del recinto



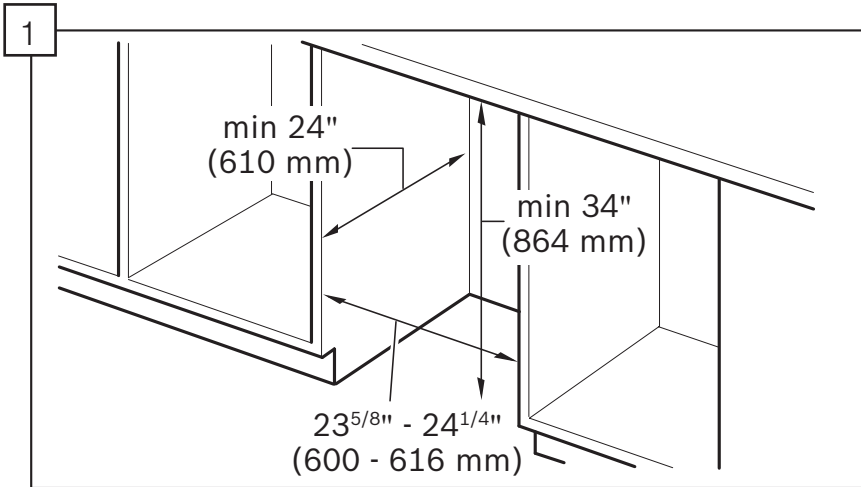
ADVERTENCIA

¡Evite el peligro de escaldadura o de descarga eléctrica!

Asegúrese de que el suministro de agua y el suministro eléctrico estén cerrados antes de realizar la instalación o el servicio técnico.

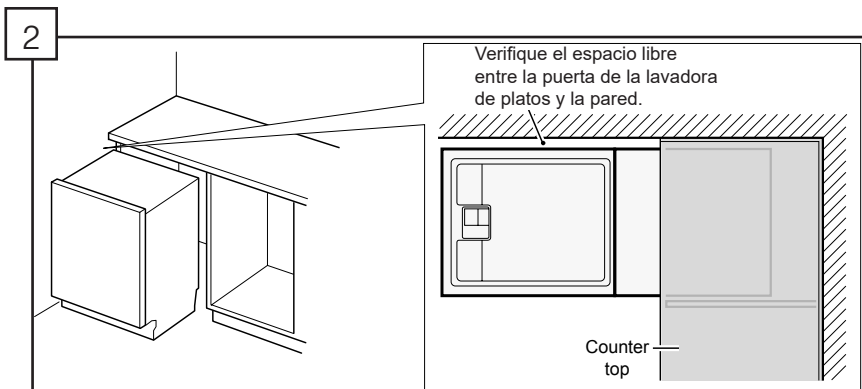
¡Evite Descarga Eléctrica / Peligro de incendio!

No permita que las líneas eléctricas y de suministro para tocar.

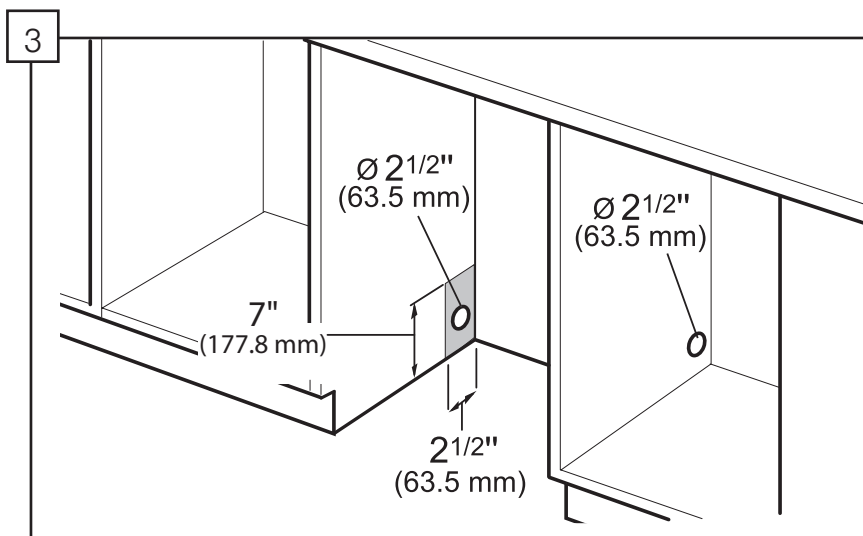


Nota: Esta lavadora de platos ha sido diseñada para estar cercada, por la parte superior, la parte trasera y ambos lados, por el conjunto de gabinetes de una cocina residencial estándar.

- Seleccione una ubicación que esté lo más cerca posible del fregadero para tener un fácil acceso a las líneas de suministro de agua y de drenaje.
- Para lograr el funcionamiento y el aspecto apropiados de la lavadora de platos, asegúrese de que el cerramiento sea cuadrado y de que tenga las dimensiones que se muestran.

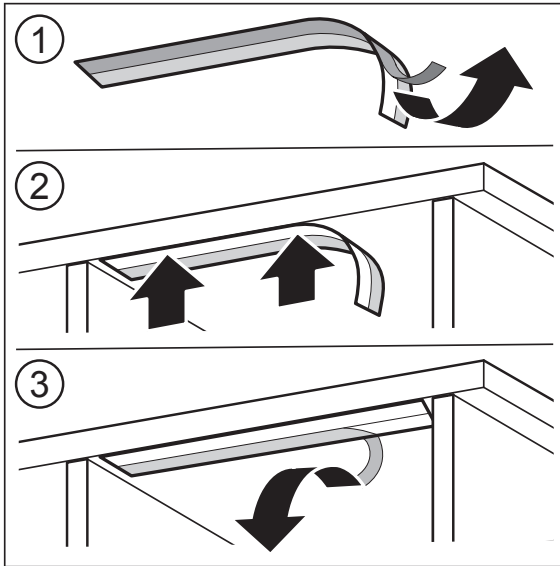


- Si lavadora de platos se instalará en una esquina, asegúrese de que haya un espacio libre adecuado para abrir la puerta, como se muestra.



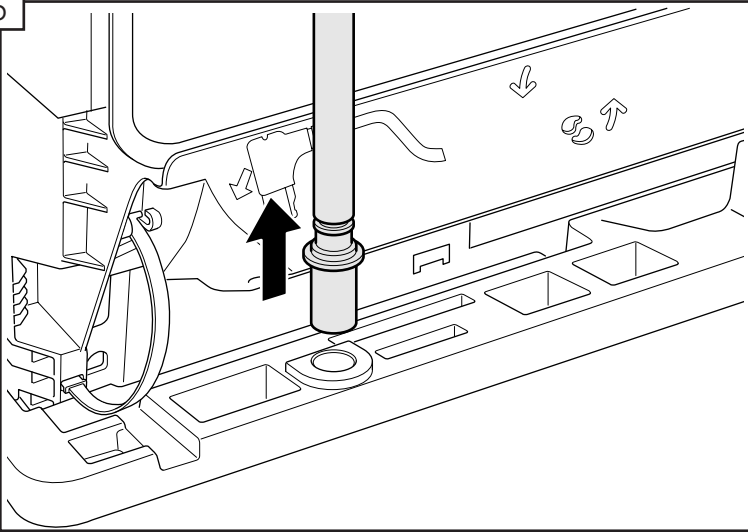
- Una vez que elija el lugar apropiado para su lavadora de platos, haga las aberturas necesarias en sus gabinetes para permitir el paso de las líneas de agua, drenaje y eléctricas del lado apropiado.
- Los orificios deben cortarse dentro del área de 7 x 2.5 pulg. que se muestra.
- Si la abertura se realiza atravesando madera, lijela hasta que quede lisa. Si la apertura se va a realizar en metal, utilizar el kit Edge Protector with Power Cord clips SMZEPCC1UC.

4



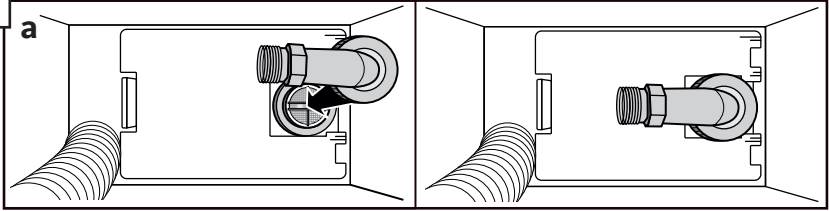
- En algunos modelos de lavavajillas se incluye una barrera protectora de plástico. Si el lavavajillas viene con dicha barrera, retirarla de la parte trasera del aparato.
- Limpiar y secar la superficie inferior de la barra de la cocina debajo de la que se instalará el lavavajillas.
- Quitar la mitad de la película protectora y posicionar correctamente la barrera. No dejar ningún espacio entre la barrera y el borde de la barra de la cocina.
- Una vez que se haya posicionado correctamente, quitar la otra mitad de la película protectora.

5

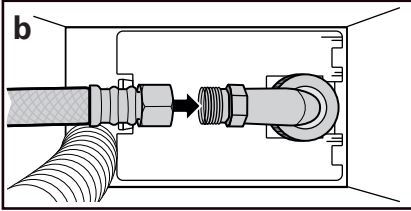


- Jale de la manguera de drenaje para sacarla de la base de embalaje, como se muestra.
- Aparte el panel de pie para su uso posterior.

6



- Conecte la articulación del codo al lavavajillas como se muestra. No lo apriete demasiado.



- Conecte la línea de agua caliente al codo. Use dos llaves para apretar para evitar poner tensión en la válvula de entrada de agua.

Nota: Para facilitar la instalación, con ayuda de alguien que sostenga la unidad desde la parte frontal, incline la lavadora de platos levemente hacia adelante para facilitar el acceso a la conexión de entrada de agua caliente.

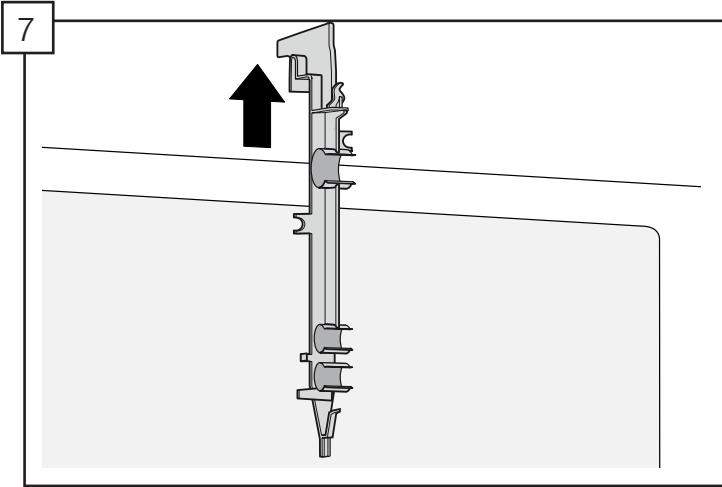


ADVERTENCIA

¡NO incline la lavadora de platos demasiado hacia adelante! Esto podría producir lesiones graves o la muerte. Siempre debe pedir a un adulto que sostenga el lado frontal si se inclina la unidad.

AVISO

Evite el cruce de roscas! Esto causará fugas. Después de conectar la manguera, conecte temporalmente el suministro de agua y luego encienda el agua para verificar que no haya fugas.



- Retire el sujetador de la manguera que se encuentra en la parte trasera de la lavadora de platos, como se muestra. El sujetador de la manguera puede usarse más adelante para sostener la manguera de drenaje dentro de su gabinete.

ADVERTENCIA

¡Evite el peligro de escaldadura o de descarga eléctrica!

No trabaje en un circuito energizado. Hacerlo podría ocasionar lesiones graves o la muerte. Únicamente los electricistas calificados pueden realizar trabajos de electricidad. No intente realizar ningún trabajo en el circuito de suministro eléctrico de la lavadora de platos hasta que esté seguro de que el circuito se encuentre desenergizado.

Para evitar posibles lesiones o daños a la propiedad, se debe tener cuidado al instalar o quitar el lavavajillas para reducir la probabilidad de dañar el cable de alimentación.

¡Evite el peligro de incendio!

Asegúrese de que el trabajo eléctrico esté correctamente instalado y verificado por electricistas calificados.

Asegúrese de que no haya conexiones eléctricas sueltas. Asegúrese de que todas las conexiones eléctricas se hayan realizado correctamente.

Las conexiones eléctricas sueltas y mal instaladas pueden dar lugar a un sobrecalentamiento. Para evitar el riesgo de incendio, observe las siguientes precauciones:

Conexiones de toma de corriente:

Utilizar únicamente el cable de alimentación suministrado para la conexión con la toma de corriente.

NO USAR NINGÚN CABLE DE EXTENSIÓN O CUALQUIER OTRO TIPO de cable o adaptador modificado con este electrodoméstico.

NO CORTAR o empalmar el cable de alimentación.

NO modificar el cable de alimentación de ningún modo.

Conexiones de cable fijas (además de las advertencias ya mencionadas):

Usar solo el cable de alimentación para cajas de conexión que puede adquirirse como kit de accesorios SMZPCJBIUC.

Leer detenidamente las instrucciones de instalación del bloque de terminales.

Suministro eléctrico

El cliente tiene la responsabilidad de asegurarse de que la instalación eléctrica de la lavadora de platos cumpla con todos los códigos y las ordenanzas de electricidad nacionales y locales. La lavadora de platos está diseñada para un suministro eléctrico de CA de 120 V, 60 Hz, conectado a un circuito eléctrico con una conexión a tierra adecuada, exclusivo para la lavadora de platos, con un fusible o disyuntor con capacidad nominal para 15 A. Los conductores del suministro eléctrico deben ser de alambre de cobre, con AWG n.º 14 como mínimo, con capacidad nominal para uso en temperaturas de 75 °C (167 °F) o más altas.

Capacidad nominal eléctrica de la lavadora de platos

Volts	Hertz	Amperes	Watts
120	60	12	1,440 (max)

Instrucciones para la conexión a tierra

La lavadora de platos debe tener una conexión a tierra adecuada antes de operarla. Este electrodoméstico debe conectarse a un sistema de cableado permanente, con conexión a tierra, o se debe instalar un conductor de conexión a tierra para equipos junto con los conductores de circuitos y conectarlo al terminal de conexión a tierra para equipos o al hilo de conexión a tierra de la lavadora de platos.

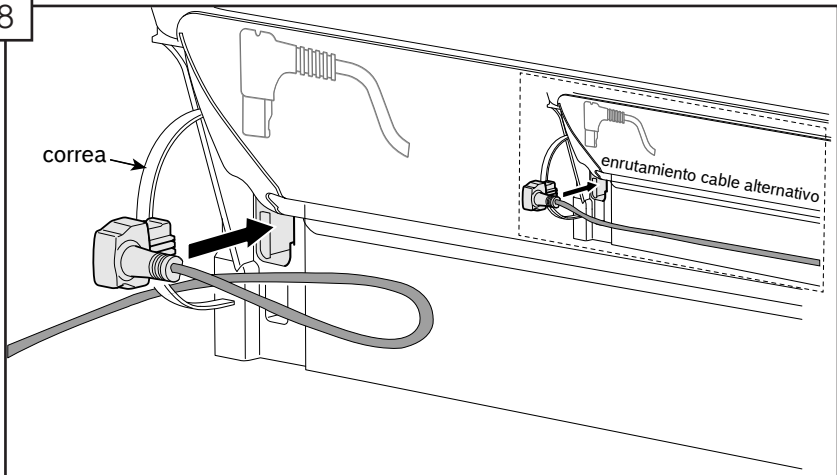
No use cables de extensión.

Asegúrese de que la lavadora de platos tenga una conexión a tierra adecuada, de conformidad con todos los códigos locales o, en el caso de que no haya un código local, con el CÓDIGO NACIONAL ELÉCTRICO (National Electrical Code) en los Estados Unidos o la última versión del CÓDIGO ELÉCTRICO CANADIENSE (Canadian Electrical Code) C22.1 en Canadá, así como con todos los códigos provinciales/estatales o municipales o locales.

Nota: Instalaciones que utilizan el bloque de terminales.

El modelo de caja de conexiones / bloque de terminales de accesorios, SMZPCJB1UC, diseñado para una conexión de cable permanente, no está incluido, pero se puede solicitar a través del Servicio al Cliente llamando al 1-800-944-2904. Siga las instrucciones incluidas con el kit.

8



- Enchufe el extremo del cable de alimentación en la parte posterior del lavavajillas. Asegúrese de que atravesase la correa en el lado derecho o izquierdo del lavavajillas.
- El tomacorriente para el cable de alimentación eléctrica debe estar ubicado en un gabinete o pared adyacente al gabinete del lavaplatos.
- No enchufe el lavavajillas hasta que todos los pasos de instalación estén completos.

Nota: Utilice únicamente el cable de alimentación incluido. Si falta el cable, solicite el kit SMZPC002UC a través del Servicio al Cliente.

Nota: Si se necesitan clips para el cable de alimentación, use el kit Edge Protector with Power Cord clips SMZEPCC1UC.

Instalación de los soportes de montaje

ADVERTENCIA

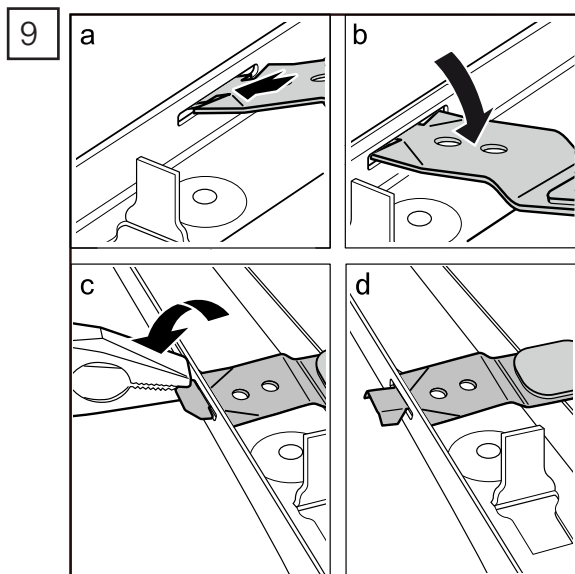
¡Evite el peligro de caída!

Use la lavadora de platos únicamente cuando esté completamente instalada. Al abrir la puerta de una lavadora de platos que no está instalada, abra la puerta con cuidado mientras sostiene la parte posterior de la unidad. No seguir esta advertencia puede ocasionar lesiones graves.

Nota: Antes de instalar los soportes de montaje para la encimera suministrados, decida qué método utilizará para asegurar la lavadora de platos al cerramiento.

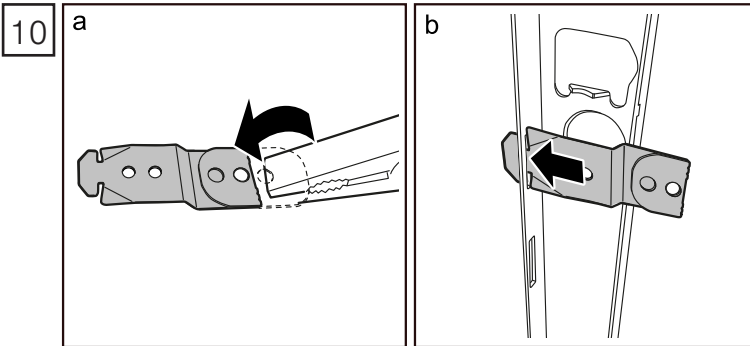
Una vez que los soportes de montaje están instalados en la lavadora de platos, es difícil retirarlos, y esto daña los soportes de montaje y la lavadora de platos.

Si usted tiene un panel completamente integrado, no acople los soportes de montaje hasta tanto no haya acoplado el panel a la puerta.



- El montaje superior se usa para encimeras hechas de madera u otros materiales que puedan ser perforados fácilmente. Si tiene superficie sólida, mármol, granito, encimeras y otras muy duras, vaya al paso 10 ahora.

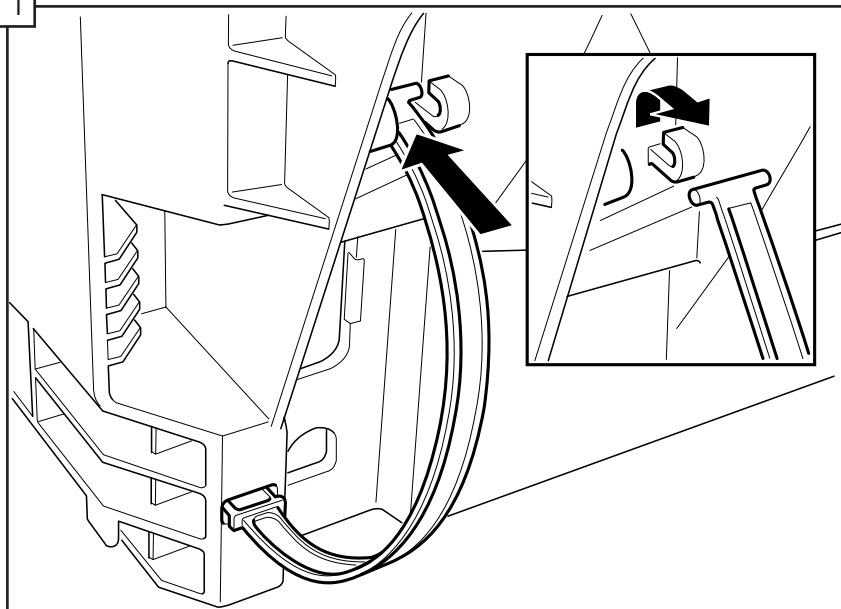
- Si el aislamiento cubre el área en la ilustración 9a, pliéguelo hacia atrás.
- Oriente los soportes de montaje (D) como se muestra. Observe la posición del soporte en la ilustración 9b.
- Utilizando pinzas, doble hacia abajo como se muestra en la ilustración 9c, de modo que el soporte no se deslice fuera de la ranura en la estructura. Todavía no conecte al gabinete.



- El montaje lateral se utiliza para encimeras hechas de mármol, granito u otros materiales muy duros que no pueden ser perforados fácilmente.
- Utilizando pinzas, doble el soporte en la perforación sobre sí mismo como se muestra en la figura 10a.
- Deslice la brida del soporte a través de las ranuras de los costados en la estructura, como se muestra en 10b.
- Utilizando pinzas, doblar las bridas laterales hacia abajo como se muestra en 9c y 9d para que el soporte no salga de la ranura en el marco. Todavía no conecte al gabinete.

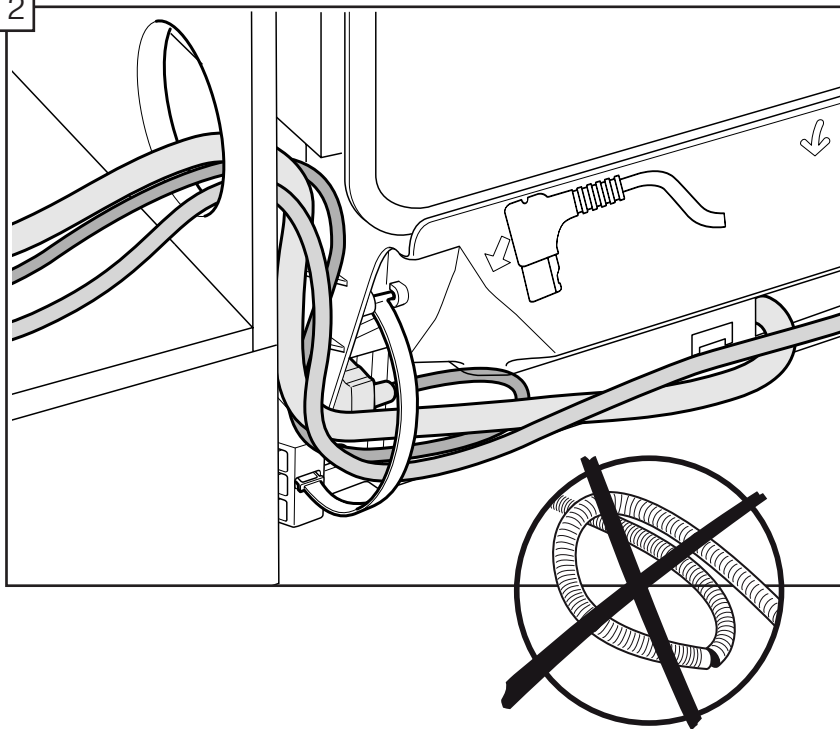
Colocación del lavavajillas

11



- Si su fregadero se encuentra del lado derecho de donde usted está instalando la lavadora de platos, tendrá que volver a colocar las mangueras y el cable de alimentación detrás de la lavadora de platos antes de instalarla.
- Para hacerlo, descuelgue la correa por la que pasan las mangueras en la parte trasera de la base de la lavadora de platos y colóquelas según sus requerimientos.
- Si su fregadero se encuentra del lado izquierdo, Deje las mangueras y el cable de alimentación cuando llegaron.

12

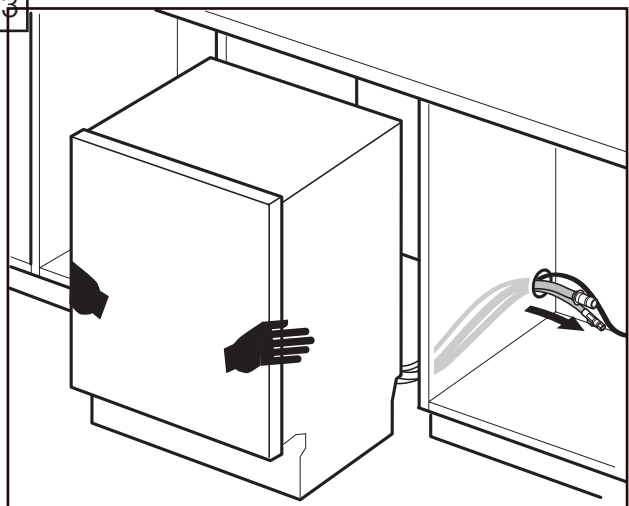


- Vuelva a colocar las mangueras de modo que pasen por la correa del otro lado.
- Asegúrese de calzar la correa de vuelta en su lugar para asegurar las mangueras, como se muestra.

NOTICE

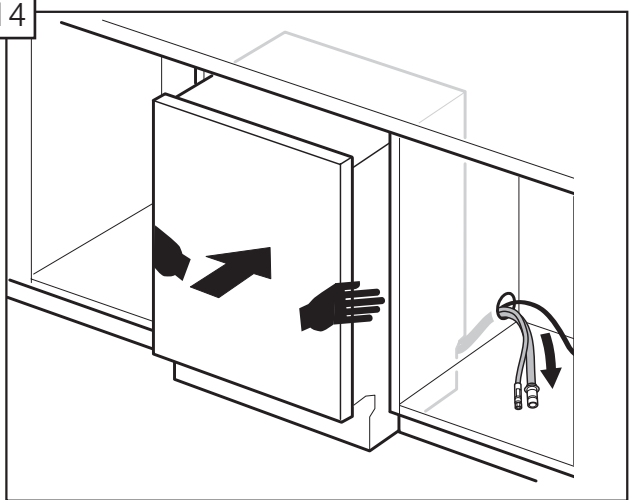
Asegúrese de jalar las mangueras hasta el fondo en el gabinete adyacente mientras empujando el lavavajillas hacia adentro. De lo contrario, las mangueras pueden doblarse, retorcerse o romperse, causando potencialmente obstrucciones o fugas.

13



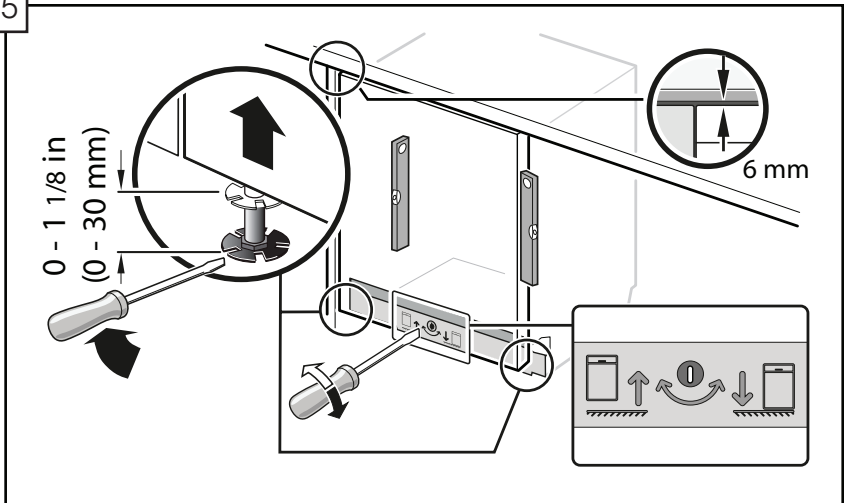
- Para evitar rayar el piso, utilice protección para pisos y tenga cuidado al deslizar la lavadora de platos dentro del gabinete. Use las manos en ambos lados de la lavadora de platos para empujar en forma pareja.
- Jale la entrada de agua, las mangueras de drenaje y el cable de alimentación a través de orificio en el gabinete, como se muestra.

14



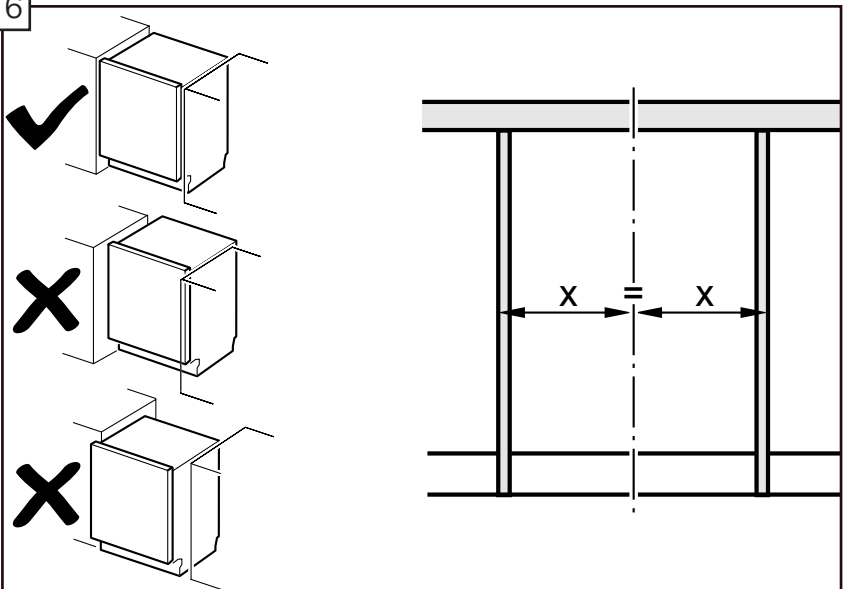
- Empuje la unidad 2/3 hacia adentro de la abertura y deténgase.
- Extienda la mano hacia el gabinete adyacente y jale las mangueras y el cable de alimentación excedentes completamente hacia afuera, de modo que no se plieguen.
- Empuje la unidad hacia adentro hasta que quede a ras con la puerta del gabinete.

15



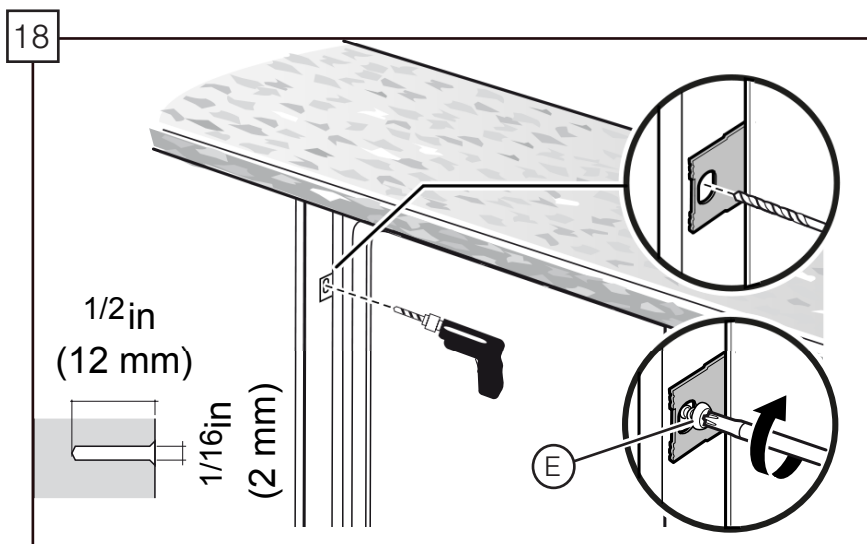
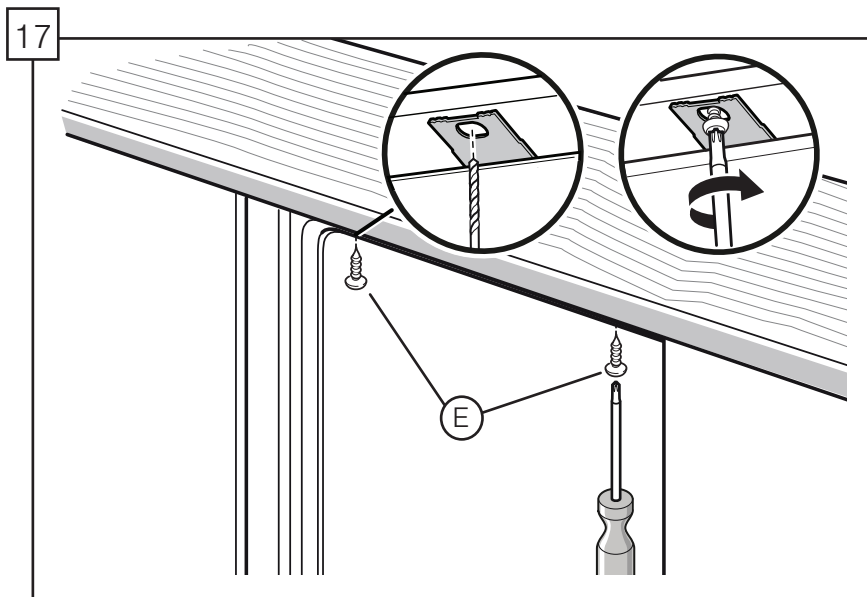
- Ajuste las patas como se muestra para elevar la unidad de manera que quede a ras con la encimera.
- Utilice un nivel para verificar que su lavadora de platos esté nivelada.
- Nivele de un lado al otro girando las patas hacia la derecha para levantar la parte delantera de la unidad o hacia la izquierda para bajarla, como se muestra.
- Nivele desde la parte adelante hacia la trasera girando el tornillo hacia la derecha para levantar la parte trasera o hacia la izquierda para bajarla.

16



- Centre la lavadora de platos en la abertura antes de asegurarla en su gabinete o encimera, como se muestra.

Asegurar el lavavajillas



- Coloque los tornillos de montaje (E) a través de los orificios que se encuentran en los soportes de montaje, como se muestra para el montaje superior (17) o lateral (18).

Conexiones de agua de entrada

ADVERTENCIA

¡Evite el peligro de escaldadura!

No realice ningún trabajo en una tubería de agua caliente que tenga carga. Podría ocasionar lesiones graves. Únicamente los plomeros calificados pueden realizar trabajos de plomería. No intente realizar ningún tipo de trabajo en las tuberías de suministro de agua caliente de la lavadora de platos hasta que esté seguro de que el suministro de agua caliente esté cerrado.

AVISO

Las temperaturas requeridas para soldar y fundir dañan la lavadora de platos. Si se van a soldar o fundir las tuberías para plomería, mantenga la fuente de calor, al menos, a 6 pulgadas (152.4 mm) de distancia de la lavadora de platos.

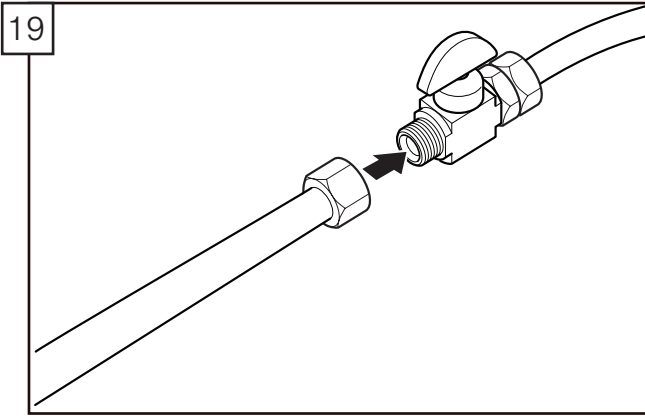
Suministro de agua caliente

El calentador de agua debe configurarse para suministrar a la lavadora de platos agua de aproximadamente 120 °F (49 °C). El agua demasiado caliente puede hacer que algunos detergentes pierdan efectividad. Las temperaturas más bajas de agua aumentarán los tiempos de funcionamiento. La presión del suministro de agua caliente debe ser de entre 15 y 145 psi (1 a 10 bar).

NOTAS:

- Si se usa una junta con soldadura en lugar de un conector de compresión, asegúrese de hacer todas las conexiones con soldadura antes de conectar la línea de suministro de agua a la lavadora de platos.
- Asegúrese de que no haya codos cerrados ni pliegues en la línea de agua, que podrían restringir el flujo del agua.
- Use siempre el sello adecuado al realizar conexiones de plomería.
- Antes de conectar la línea de suministro de agua a la lavadora de platos, deje correr el agua en la línea entrante durante alrededor de 5 minutos para eliminar cualquier material externo.
- Abra el suministro de agua y verifique que no haya pérdidas una vez que estén hechas las conexiones.

- Verifique los códigos de plomería locales para los procedimientos y accesorios de plomería aprobados. Todas las tuberías deben hacerse de acuerdo con los códigos nacionales y locales.
- Si usa tubos de cobre o de otro material para el suministro de agua, haga que un plomero autorizado realice la instalación correspondiente.

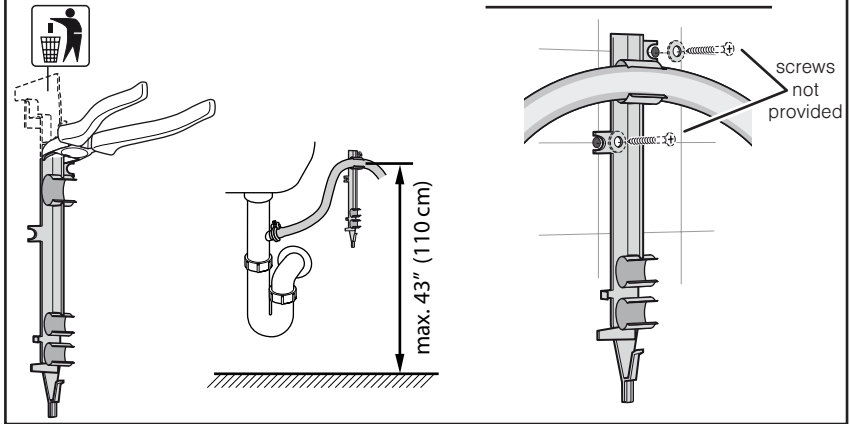


- Conecte la línea de suministro de agua de la lavadora de platos a la válvula de cierre del agua. Si todavía no se encuentra en la línea de suministro, instale uno (no suministrado).
- Necesitará utilizar una línea de suministro de agua de la lavadora de platos aprobada con los conectores correctos para realizar esta conexión. Use siempre el sello adecuado al realizar conexiones de plomería.
- Una vez que estén hechas todas las conexiones, abra el suministro de agua caliente y verifique que no haya pérdidas.

Conexiones del drenaje

NOTAS:

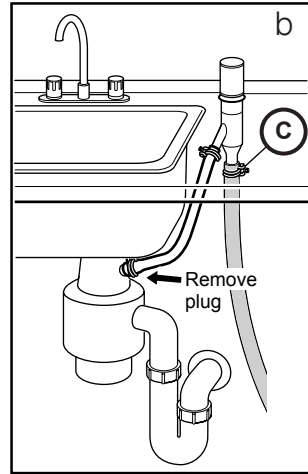
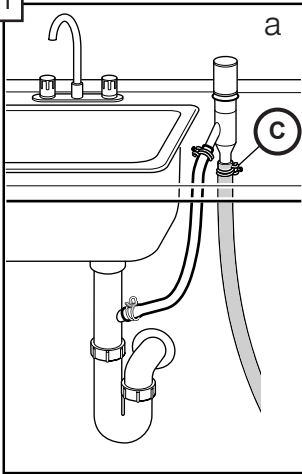
- Si las ordenanzas locales requieren un espacio de aire, instálelo de acuerdo con las instrucciones del fabricante.
- Si la manguera de drenaje de la lavadora de platos debe conectarse a una conexión de drenaje para lavadora de platos de un triturador de desechos, retire el tapón de la conexión de drenaje para lavadora de platos del triturador de desechos.
- De todo su largo, la manguera de drenaje de la lavadora de platos debe tener una parte que esté firmemente sujeta 33 pulgadas por encima del piso del gabinete.
- La longitud de la manguera de drenaje puede extenderse si es necesario. Usa kit #SGZ1010UC. La longitud máxima de la manguera de drenaje, incluida la manguera que se conecta con el espacio de aire, es de 150 pulgadas.



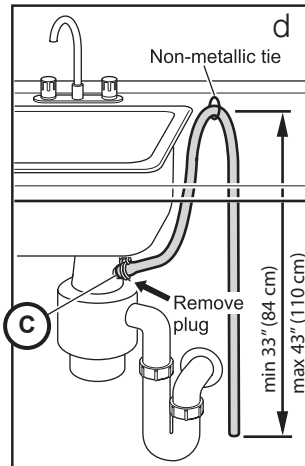
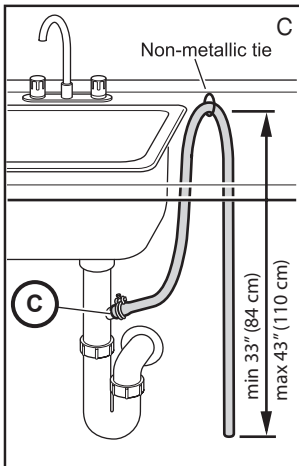
- Puede usar la pieza que retiró en el Paso 7 para acoplarla a la parte interior del gabinete y colgar la manguera de drenaje desde donde se muestra (no se suministran los tornillos) en lugar de usar un zuncho no metálico, como se indica en las siguientes ilustraciones. La altura de la manguera de drenaje no debe exceder las 43 pulg.
- La manguera de drenaje de la lavadora de platos debe instalarse manteniendo una parte de esta, al menos, a una distancia de 33 pulg. (84 cm) del piso del gabinete; de lo contrario, es posible que la lavadora de platos no drene correctamente.

NOTA: Coloque la abrazadera de la manguera alrededor del extremo de la manguera de drenaje ANTES de conectarla a la tubería.

21

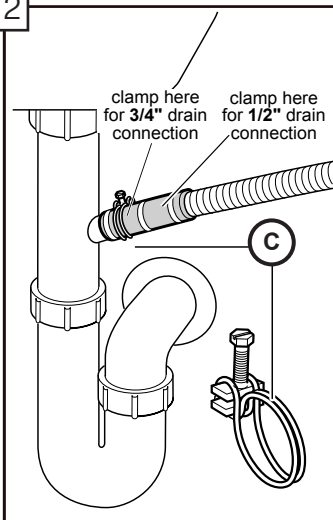


- La manguera de drenaje de la lavadora de platos puede conectarse a la tubería de drenaje utilizando un espacio de aire de dos maneras:
 - Conectando a la conexión de drenaje para lavadora de platos debajo del fregadero (21a).
 - Conectando a la conexión de drenaje para lavadora de platos de un triturador de desechos (21b).



- La manguera de drenaje de la lavadora de platos puede conectarse a la tubería de drenaje utilizando un bucle alto de dos maneras:
 - Conectando a la conexión de drenaje para lavadora de platos debajo del fregadero (21c).
 - Conectando a la conexión de drenaje para lavadora de platos de un triturador de desechos (21d).

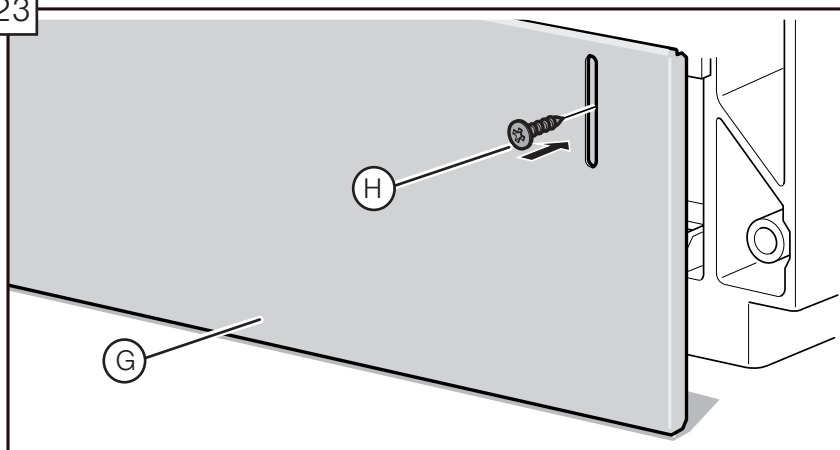
22



Utilice la abrazadera que se proporciona (C) para conectar la manguera de drenaje a la tubería de la vivienda, como se muestra.

Cómo colocar el panel de pie

23

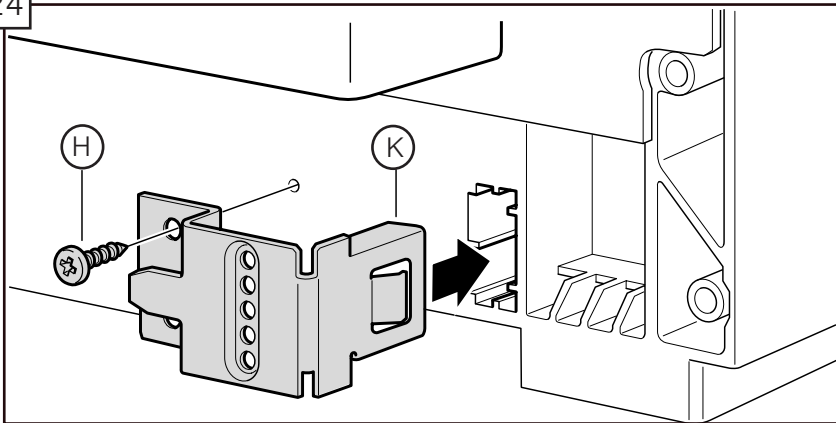


Si su lavadora de platos vino con un panel de pie con ranuras (G) solamente, siga estas instrucciones; de lo contrario, vaya ahora al paso 28.

Nota: Si utiliza el panel de pie ranuras se muestra en 23, no están obligados a continuación entre paréntesis que aparecen en el 24 de montaje de metal.

- Coloque el panel de pie con ranuras (G) en la lavadora de platos. Deje que se apoye sobre el piso.
- Acóplelo con tornillos (H), como se muestra. Use únicamente los tornillos suministrados para evitar dañar la lavadora de platos. El panel de pie debe quedar a ras del piso. ¡Ha finalizado la instalación!

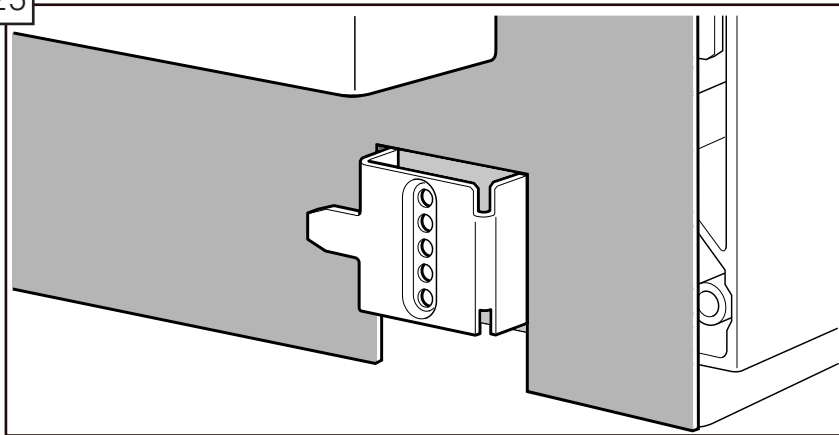
24



Si su lavadora de platos vino con un panel de pie sin ranuras (I) y soportes del panel de pie (K), siga estas instrucciones:

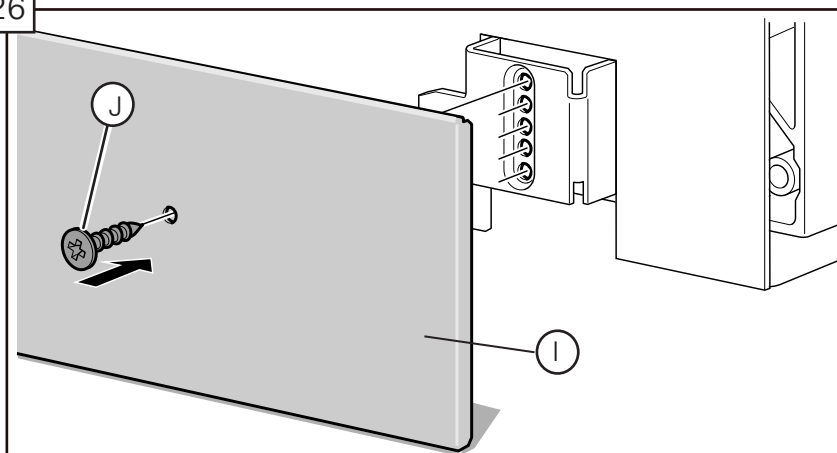
- Enchufe los soportes de metal (K) en las aberturas a ambos lados de la base, como se muestra.
- Utilice un tornillo (J) para montar los soportes de metal en la base, como se muestra.

25



- Inserte el faldón de hule previamente acoplado detrás de los dedos en los soportes de metal, como se muestra.

26

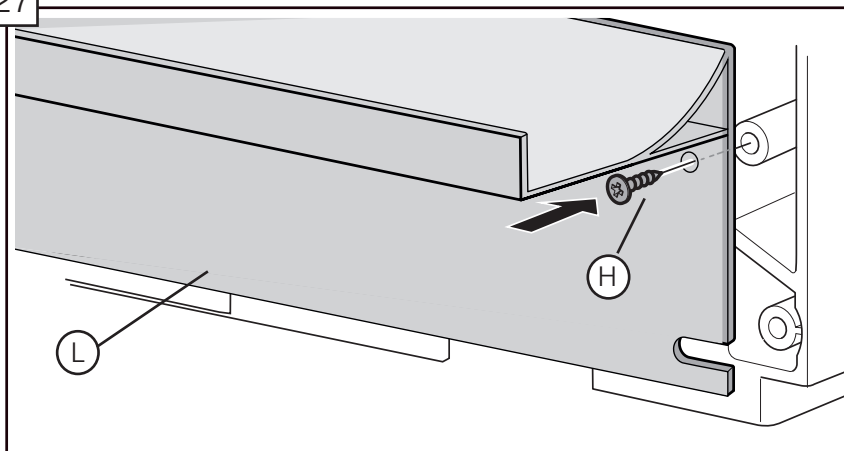


- Deslice el panel de pie de metal a su posición asegurándose de que la parte inferior del panel de pie quede a ras del piso. Utilice un tornillo (J) para montar el panel de pie a través del orificio con el que coincide en los soportes de metal (K), como se muestra.

Nota: La altura del panel de pie puede ajustarse atornillándolo en un orificio diferente en el soporte.

- Verifique que el faldón calce correctamente abriendo la puerta. Asegúrese de que el faldón no se atasque y de que pueda moverse libremente hacia arriba y hacia abajo detrás del panel de pie. ¡Ha finalizado la instalación!

27

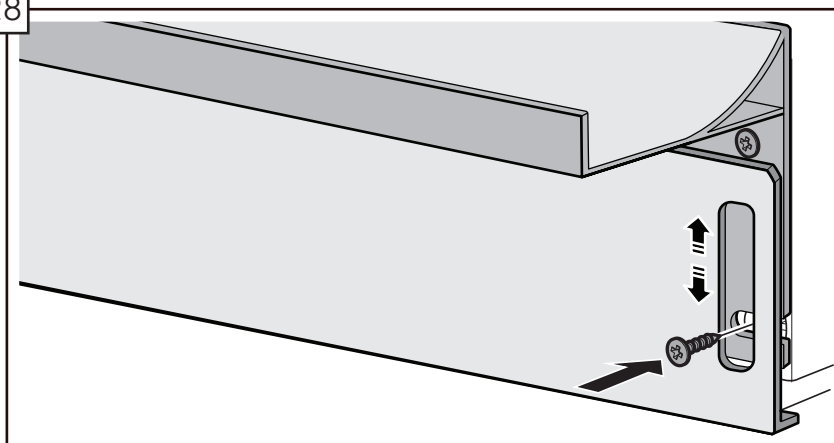


Si el lavavajillas tiene un panel de pie de plástico (L) y panel de pie con ranuras (M), siga estas instrucciones:

Nota: Si se utiliza el panel de pie de plástico por encima de 31, soportes y montaje de metal mostrando en el 28 no es necesario.

- Alinear la placa protectora del zócalo de plástico en la base del lavavajillas de modo que los orificios queden alineados.
- Acóplelo con tornillos, como se muestra. Use únicamente los tornillos suministrados para evitar dañar la lavadora de platos.

28



- Deslizar la placa protectora del zócalo de metal hasta su posición asegurando que la parte inferior de la placa protectora del zócalo está a ras con el suelo. Use únicamente los tornillos suministrados para evitar dañar la lavadora de platos. ¡Ha finalizado la instalación!

Servicio al cliente

Su lavadora de platos no requiere ningún otro cuidado especial además del que se describe en la sección Cuidado y mantenimiento del Manual de uso y cuidado. Si tiene un problema con su lavadora de platos, antes de llamar al servicio técnico consulte la sección Autoayuda en el Manual de uso y cuidado. Si es necesario realizar el servicio técnico, comuníquese con su distribuidor o instalador, o con un centro de servicio técnico autorizado.

No intente reparar el electrodoméstico por sus propios medios. Todo trabajo realizado por personal no autorizado puede invalidar la garantía. Si tiene un problema con su lavadora de platos y no está conforme con el servicio técnico que ha recibido, siga los pasos que aparecen a continuación (en el orden en que se enumeran) hasta que se corrija el problema y usted quede conforme:

1. Comuníquese con su instalador o con el contratista de servicio técnico autorizado de su área.
2. Envíenos una carta a la dirección que figura a continuación:
BSH Home Appliances Corporation
1901 Main Street
Irvine, CA 92614
3. Llámenos al número de teléfono de Servicio al cliente:
1-800-944-2904

Asegúrese de incluir (si nos envía una carta), o tener disponible (si nos llama), la siguiente información:

- Número de modelo (SH_ _ _ _ _ _ _ _)
- Número de serie (_ _ _ _ _ _ _ _)
- Fecha de compra original (mm/dd/yyyy)
- Fecha en que se originó el problema (mm/dd/yyyy)
- Explicación del problema
- Número de teléfono al que podemos llamarnos durante el día.

Haga una copia de su factura y guárdela con este manual. A fin de recibir el servicio técnico de la garantía, el cliente debe presentar un comprobante de compra.

9001548577 (0007)