

24" Panel Ready Dishwasher

SHVM78Z53N

Custom Panel Ready (Panel Not Included)



Features and Benefits

Key Features

- A flexible 3rd rack with fold down sides adds 30% more loading area.
- InfoLight® Beams on Floor to Indicate Dishwasher is Running
- FlexSpace™ Tines fold back to fit your larger pots & pans
- AquaStop® Leak Protection Works 24/7

Design

- Full Size Stainless Steel Tall Tub Installs Perfectly Flush
- 16 Place Setting Capacity
- LED Remaining Time Display
- RackMatic® on Upper Rack - 3 Height Adjustments and Up to 9 Possible Rack Positions

Performance

- 6 Programs and 5 Options
- Detergent Tray Optimizes Detergent Dissolving
- Speed60® gets your dishes from dirty to dry in about an hour.
- Extra Dry Option for Better Drying Results
- Load Size Sensor Automates Wash Temperature
- Sanitize Option Eliminates Bacteria and Enhances Drying Results

Efficiency

- 269 kWh/yr - Energy Star®

Convenience

- 24 h Delay Start Timer
- Self-Latching Door



Notes: All height, width and depth dimensions are shown in inches. *Please refer to installation instructions prior to making cutout. BSH reserves the absolute and unrestricted right to change product materials and specifications, at any time, without notice. Consult the product's installation instructions for final dimensional data and other details. Applicable product warranty can be found in a accompanying product literature or you may contact your account manager for further details.

For more information on our entire line of products, go to boschappliances.com or call 1-800-944-2904.
Copyright ©2022 BSH Home Appliances Corporation. All rights reserved. Bosch is a registered trademark of Robert Bosch GmbH.

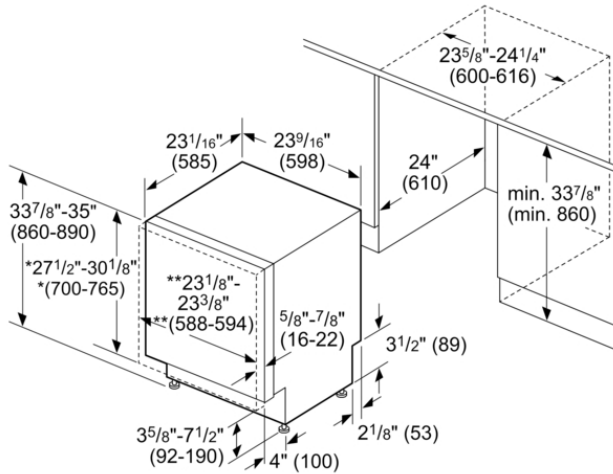
Litho Date: 05/2022



24" Panel Ready Dishwasher

SHVM78Z53N

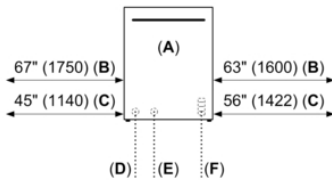
Custom Panel Ready (Panel Not Included)



* measured from the bottom edge of the countertop panel thickness recommended 3/4" (20 mm), panel weight 7-22 lbs (3-10 kg)
 ** 24" (610 mm) wide panel may be used depending on cabinet design

measurements in inches (mm)

Measurements in inches (mm)



All connections are at the rear of the appliance. Extension for drain hose available as accessory. Junction Box for hard wired connection available as accessory.

A: Front view
 B: Drain hose
 C: Electrical Power Cord: length shown according to Installation Instructions
 D: Inlet
 E: Drain
 F: Electrical

Features

Watts	1440
Fuse protection	12
Volts	120
Frequency	60
Power Cord Length	67"
Minimum Water Pressure	14.0
Length inlet hose (in)	
Length outlet hose (in)	78 3/4"
Overall appliance dimensions (HxWxD) (in)	33 7/8" x 23 9/16" x 24"
Required cutout size (HxWxD) (in)	33 7/8" x 23 9/16" x 24"
Adjustable feet	Yes - all from front

Technical Specification

Number of Options	5
Number of programmes	6
Third Rack	3rd Rack 2.0
Tube material	Stainless steel
Concealed heating element	Yes
Leak protection system	
Five-level wash	Yes
Water softener	No
ChildLock	No
Total annual energy consumption	269
Energy Efficiency Class	Tier 1
ENERGY STAR®	Yes
Total annual energy consumption	
Total annual water consumption	624
Number of place settings	16

Notes: All height, width and depth dimensions are shown in inches. *Please refer to installation instructions prior to making cutout. BSH reserves the absolute and unrestricted right to change product materials and specifications, at any time, without notice. Consult the product's installation instructions for final dimensional data and other details. Applicable product warranty can be found in a accompanying product literature or you may contact your account manager for further details.

For more information on our entire line of products, go to boschappliances.com or call 1-800-944-2904.

Copyright ©2022 BSH Home Appliances Corporation. All rights reserved. Bosch is a registered trademark of Robert Bosch GmbH.

Litho Date: 05/2022

