

24" Custom Panel Dishwasher

800 Series DLX – Custom Panel SHV878ZD3N



SHV878ZD3N
Custom Panel

Patented CrystalDry™ technology transforms moisture into heat to get dishes, including plastics, 60% drier.*

Features & Benefits

42 dBA: dishwasher runs quietly so your kitchen conversations aren't interrupted.

The Flexible 3rd Rack with fold down sides adds 30% more** loading area, perfect for utensils and ramekins.

Touch Control Technology allows for quick cycle programming.

The AquaStop® leak protection system contains leaks through a precisely engineered system. If a leak occurs, the system contains it by shutting down operation and pumping out water. So you have the ultimate peace of mind whether you are away or at home.

| General Properties | |
|---------------------------------|--------------------------------|
| Number of wash cycles | 6 |
| Number of options | 6 |
| dBA | 42 |
| Third rack | Flexible 3rd Rack |
| Rack adjustability | Rackmatic® |
| Tub material | Stainless Steel |
| Control type | Touch Control |
| Concealed water heating element | Yes |
| Leak protection system | 24/7 AquaStop® |
| Water softener | No |
| Five-level wash | Yes |
| ChildLock | No |
| Special features | InfoLight®, CrystalDry™ Option |

| Efficiency | |
|---------------------------------------|--------|
| Water usage per cycle | 3.5 |
| Energy efficiency class | Tier 1 |
| ENERGY STAR® qualified | Yes |
| Total annual energy consumption (kWh) | 269 |
| Total annual water consumption (g) | 623.5 |

| Capacity | |
|--------------------------|----|
| Number of place settings | 16 |

| Technical Details | |
|--|------------|
| Watts (W) | 1440 W |
| Current (A) | 12 Amps |
| Volts (V) | 120 V |
| Frequency (Hz) | 60 Hz |
| Power cord length - Install length from corner of unit | 67" 45" |
| Minimum water pressure (lb/sin) | 14 |
| Length outlet hose (in) | 79" |

| Dimensions & Weight | |
|---|-------------------------------|
| Overall appliance dimensions (HxWxD) (in) | 33 7/8" x 23 9/16" x 23 1/16" |
| Required cutout size (HxWxD) (in) | 33 7/8" x 23 5/8" x 24" |
| Adjustable feet | Yes |
| Net weight (lbs) | 99 lbs |

| Accessories—Optional | |
|---|------------|
| Junction Box | SMZPCJB1UC |
| Bosch Dishwasher Water Supply Hose | SMZSH002UC |
| Drain Hose Extension Kit | SGZ1010UC |
| Dishwasher Accessory Kit | SMZ5000 |
| Anti-Tarnish Silverware Cassette | SMZ5002UC |
| Edge Protector | SMZEP001UC |
| Stainless Steel Straight Bosch Bar Handle | SMZ1007UC |



*Based on aggregate average drying performance of Bosch Dishwashers with CrystalDry on combined household load including plastics, glass, steel, and porcelain as compared to Bosch Dishwashers with PureDry. Drying performance may vary by dish type.

**Compared to a Bosch dishwasher with 2 racks.

Accessories: To purchase Bosch accessories, cleaners & parts please visit www.bosch-home.com/us/store or call 1-800-944-2904 (Mon to Fri 5 am to 6 pm PST, Sat 6 am to 3 pm PST).

Notes: All height, width and depth dimensions are shown in inches. BSH reserves the absolute and unrestricted right to change product materials and specifications, at any time, without notice. Consult the product's installation instructions for final dimensional data and other details prior to making cutout.

Warranties: Please see Use & Care manual or Bosch website for statement of limited warranty.

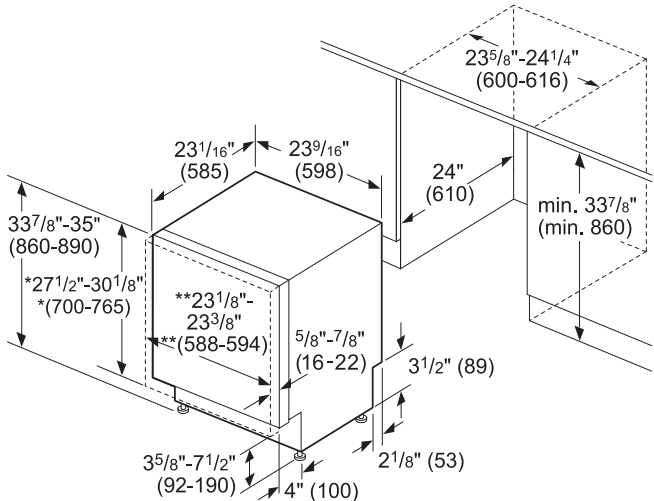
For more information on our entire line of products, go to www.bosch-home.com/us or call 1-800-944-2904

© BSH Home Appliances Corporation. All rights reserved. Bosch is a registered trademark of Robert Bosch GmbH.

24" Custom Panel Dishwasher

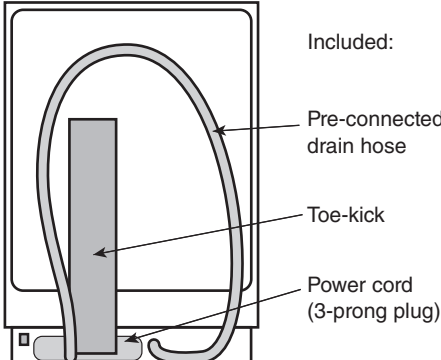
800 Series DLX – Custom Panel SHV878ZD3N

Installation Details



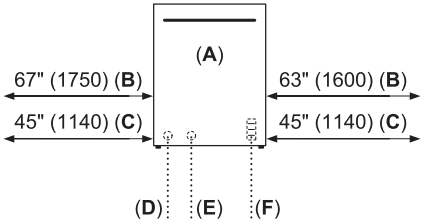
$23\frac{5}{8}" - 24\frac{1}{4}"$ (600-616)
 $23\frac{1}{16}"$ (585) $23\frac{9}{16}"$ (598)
 $24"$ (610)
 $33\frac{7}{8}" - 35"$ (860-890)
 $27\frac{1}{2}" - 30\frac{1}{8}"$ (700-765)
 $23\frac{1}{8}" - 23\frac{3}{8}"$ (588-594)
 $5\frac{5}{8}" - 7\frac{7}{8}"$ (16-22)
 $3\frac{1}{2}"$ (89)
 $3\frac{5}{8}" - 7\frac{1}{2}"$ (92-190)
 $4"$ (100)
 $21\frac{1}{8}"$ (53)
 $\text{min. } 33\frac{7}{8}"$ (min. 860)

* measured from the bottom edge of the countertop panel thickness recommended $3\frac{1}{4}"$ (20 mm).
 This dishwasher can accept custom door panel weights ranging from 7 to 24 lbs; however, the dishwasher comes from the factory ready for custom panel door weights from 11 to 18 lbs.
 If you plan on using a door panel that is not 11 to 18 lbs. please contact customer service at (800) 944-2904.
 ** $24"$ (610 mm) wide panel may be used depending on cabinet design
 Note: Refer to installation template for mounting hardware locations
 measurements in inches (mm)



Included:

- Pre-connected drain hose
- Toe-kick
- Power cord (3-prong plug)

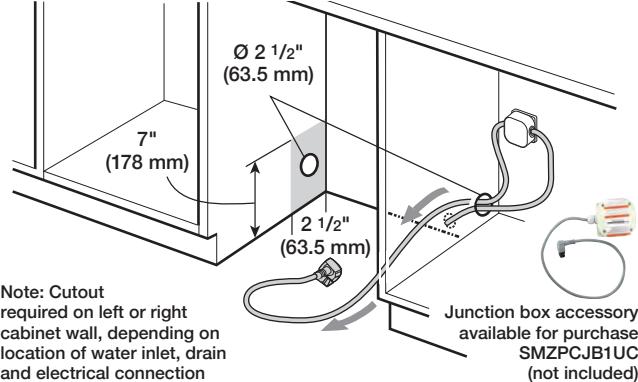


67" (1750) (B) 63" (1600) (B)
 45" (1140) (C) 45" (1140) (C)
 (D) (E) (F)

A: Front view
 B: Drain hose
 C: Electrical Power Cord: length shown according to Installation Instructions
 D: Inlet
 E: Drain
 F: Electrical

All connections are at the rear of the appliance. Extension for drain hose available as accessory. Junction Box for hard wired connection available as an accessory.

measurements in inches (mm)

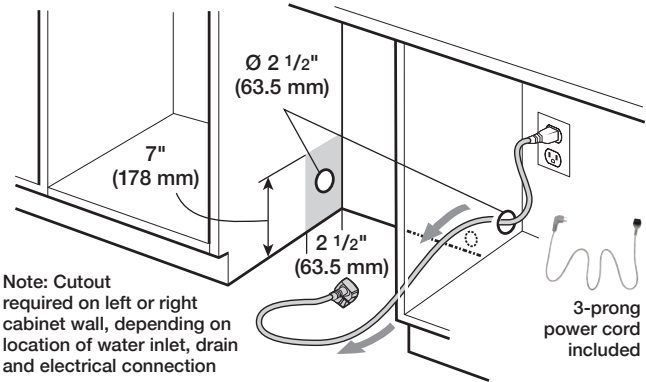


$\text{Ø } 2\frac{1}{2}"$ (63.5 mm)
 7" (178 mm)
 $2\frac{1}{2}"$ (63.5 mm)

Note: Cutout required on left or right cabinet wall, depending on location of water inlet, drain and electrical connection

Junction box accessory available for purchase SMZPCJB1UC (not included)

Example of Hardwire Installation



$\text{Ø } 2\frac{1}{2}"$ (63.5 mm)
 7" (178 mm)
 $2\frac{1}{2}"$ (63.5 mm)

Note: Cutout required on left or right cabinet wall, depending on location of water inlet, drain and electrical connection

3-prong power cord included

Example of an Electrical Receptacle Installation

Accessories: To purchase Bosch accessories, cleaners & parts please visit www.bosch-home.com/us/store or call 1-800-944-2904 (Mon to Fri 5 am to 6 pm PST, Sat 6 am to 3 pm PST).

Notes: All height, width and depth dimensions are shown in inches. BSH reserves the absolute and unrestricted right to change product materials and specifications, at any time, without notice. Consult the product's installation instructions for final dimensional data and other details prior to making cutout.

Warranties: Please see Use & Care manual or Bosch website for statement of limited warranty.

For more information on our entire line of products, go to www.bosch-home.com/us or call 1-800-944-2904

© BSH Home Appliances Corporation. All rights reserved. Bosch is a registered trademark of Robert Bosch GmbH.

24" Custom Panel Dishwasher

800 Series DLX – Custom Panel SHV878ZD3N

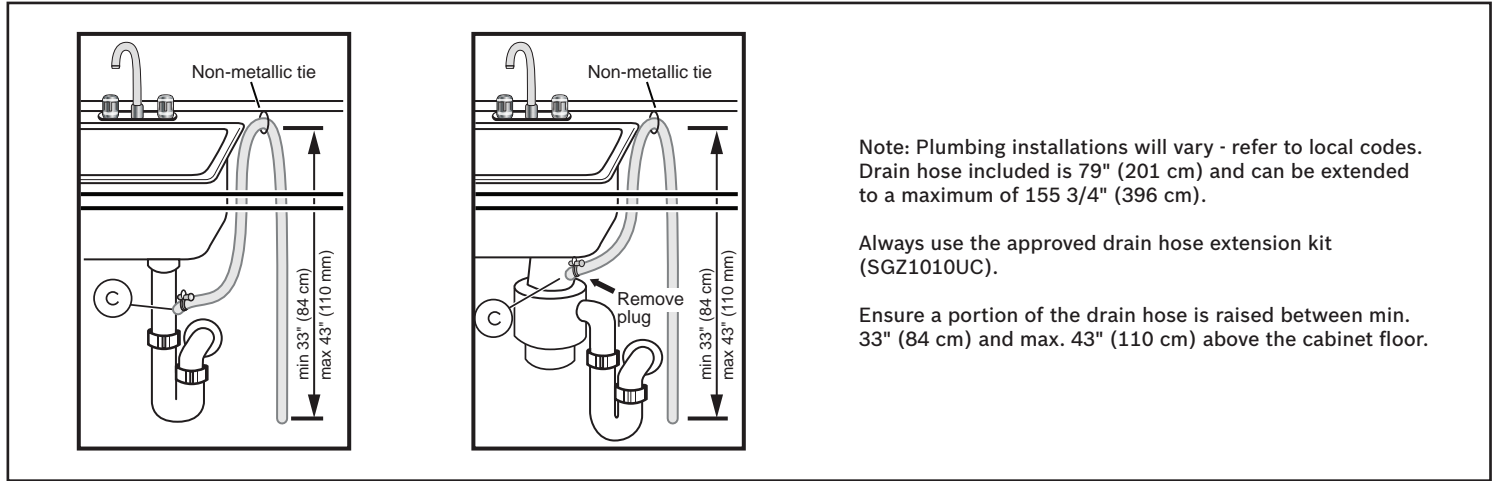


BOSCH

Invented for life



Installation Details



Accessories: To purchase Bosch accessories, cleaners & parts please visit www.bosch-home.com/us/store or call 1-800-944-2904 (Mon to Fri 5 am to 6 pm PST, Sat 6 am to 3 pm PST).

Notes: All height, width and depth dimensions are shown in inches. BSH reserves the absolute and unrestricted right to change product materials and specifications, at any time, without notice. Consult the product's installation instructions for final dimensional data and other details prior to making cutout.

Warranties: Please see Use & Care manual or Bosch website for statement of limited warranty.

For more information on our entire line of products, go to www.bosch-home.com/us or call 1-800-944-2904

© BSH Home Appliances Corporation. All rights reserved. Bosch is a registered trademark of Robert Bosch GmbH.

05/19