

**CI282601**  
**Flex induction cooktop**  
**Width 30" (80 cm)**

Frameless for flush mounting  
 Flex function for combining the rectangular cooking areas  
 Free positioning of cookware inside combined cooking areas  
 Cooking sensor function for temperature control in pots  
 Frying sensor function for temperature control in pans  
 Twist-Pad control with removable magnetic knob  
 Easy control of all functions with bi-coloured display

**Cooking zones**  
 2 flex induction cooking zones 7 1/2" x 9" (2200 W, with booster 3,700 W), linked together 15" x 9" (3300 W, with booster 3,700 W).  
 1 induction cooking zone ø 11" (2600 W, with booster 3600 W).  
 1 induction cooking zone ø 6" (1400 W, with booster 2200 W).

**Operation**  
 Twist-Pad control with removable magnetic knob.  
 User friendly control with bi-coloured display (white / orange).  
 Cooking zone and cooking area marking.  
 Electronic power control in 17 output levels.

**Features**  
 Flex function for rectangular cooking areas.  
 Cooking sensor function (in use with cooking sensor CA 060 600).  
 Frying sensor function.  
 Booster function for pots.  
 Booster function for pans.  
 Keep warm function.  
 Stopwatch.  
 Cooking timer for up to 99 minutes.  
 Short-term timer.  
 Options menu.  
 Power management.  
 Home network integration for digital services (Home Connect) wireless via WiFi.  
 The use of the Home Connect functionality depends on the Home Connect services, which are not available in every country. For further information please check: home-connect.com.

**Safety**  
 Main switch.  
 Operation indicator.  
 Pot detection.  
 Child lock.  
 Safety shut-off.

**Planning notes**  
 Operates with magnetic (induction) iron pots and pans only. For an optimal heat distribution, the use of flat bottom cookware is recommended.  
 The wok pan WP 400 001 cannot be used with this appliance.  
 Intermediate shelf is recommended, but should be removable for customer service needs.  
 Appliance must be fixed from underneath. Hardwire required.  
 Total Amps: 50A. 208/220 - 240 V. / 60 Hz

**Connection**  
 Total rating: 208/220 - 240 V : 10.8 kW.  
 60 Hz

**Product Features**  
**Knob Material**  
 Full metal  
**Sealed Burners**  
 No  
**Burners with booster**  
 All  
**Type of grate**  
**Total BTU load**  
**LP Gas Connection Rating (BTU)**  
**Power of heating element (kW in boost)**  
 [3.6]  
**Dimension of 1st heating element (in)**  
**Power of 2nd heating element (kW in boost)**  
 3.6  
**Dimension of 2nd heating element (in)**  
**Power of 3rd heating element (kW in boost)**  
**Dimension of 3rd heating element (in)**  
**Power of 4th heating element (kW in boost)**  
**Dimension of 4th heating element (in)**  
**Power of 5th heating element (kW in boost)**  
 [3.7]  
**Dimension of 5th heating element (in)**  
 11"  
**Power of 6th heating element (kW in boost)**  
**Dimension of 6th heating element (in)**

**Consumption and connection features**

**UPC code**  
 825225955825  
**Variant color**  
 Black  
**Energy source**  
 Electric  
**Gas type**  
**Alternative gas type**  
**Watts (W)**  
**Current (A)**  
 30  
**Volts (V)**  
 208-240  
**Frequency (Hz)**  
 60  
**Approval certificates**  
 CSA, FCC  
**Power Cord Length**  
 37"  
**Plug type**  
 no plug  
**Required cutout size (HxWxD) (in)**  
 4 1/4" x 30 11/16" x 19 5/16"  
**Minimum distance from counter front (in)**  
 2"  
**Minimum distance from rear wall (in)**  
 2"  
**Overall appliance dimensions (HxWxD) (in)**  
 0"+4 1/4" x 31 7/32" x 20 13/64"  
**Product packaging dimensions (HxWxD) (in)**  
 7 1/16" x 36 5/8" x 26 5/8"  
**Net weight (lbs)**  
 42  
**Gross weight (lbs)**  
 50  
**Total number of cooktop burners**  
 4  
**2019-07-10**  
**Page 1**

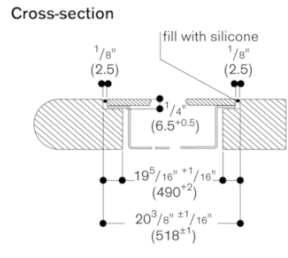
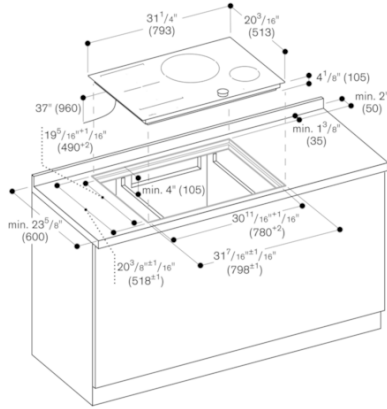
Plan for a 37" connecting cable without plug (hardwire required).

**Color Variants**

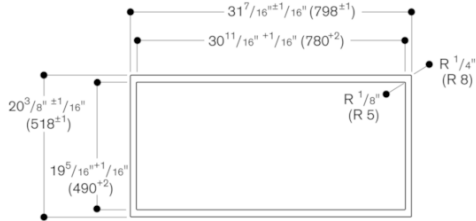
CI282601  
 Width 30" (80 cm)

**Optional accessories**

CA051300  
 Teppan Yaki made of multi ply material  
 CA060600  
 Cooking sensor for temperature regulation within pots  
 CA230100  
 Black magnetic knob for induction cooktop 200 series  
 GP900001  
 Stainless steel frying sensor pan.  
 GP900002  
 Stainless steel frying sensor pan.  
 GP900003  
 Stainless steel frying sensor pan.  
 GP900004  
 Stainless steel frying sensor pan.



View from above



Longitudinal section

