



F.LLI BERTAZZONI ITALIA

**INSTRUCTION MANUAL**

**Refrigerator-freezer**

MODEL : REF24PR

# CONTENTS

## 1 Safety warnings

1.1 Warning	1
1.2 Meanings of safety warning symbols	2
1.3 Electricity related warnings	2
1.4 Warnings for using	3
1.5 Warnings for placement	3-4
1.6 Warnings for energy	4
1.7 Warnings for disposal	4

## 2 Proper use of the refrigerator

2.1 Placement	5
2.2 Installation in cabinet	6-7
2.3 Door Right-Left Change	8-10
2.4 Changing the Light	11
2.5 Starting to use	11
2.6 Energy saving tips	11

## 3 Structure and functions

3.1 Key components	12
3.2 Functions	13

## 4 Maintenance and care of the refrigerator

4.1 Overall cleaning	14
4.2 Defrosting	14
4.3 Out of operation	14

## 5 Trouble shooting

5.1 Trouble shooting	15
----------------------	----

# 1 Safety warnings

## 1.1 Warning



**Warning**: risk of fire / flammable materials

### RECOMMENDATIONS:

**This** appliance is intended to be used in household and similar applications such as staff kitchen areas in shops, offices and other working environments; farm houses and by clients in hotels, motels and other residential type environments; bed and breakfast type environments; catering and similar non-retail applications.  
(EN60335-2-24)

**For** EN standard: This appliance can be used by children aged from 8 years and above and persons with reduced physical sensory or mental capabilities or lack of experience and knowledge if they have been given supervision or instruction concerning use of the appliance in a safe way and understand the hazards involved. Children shall not play with the appliance. Cleaning and user maintenance shall not be made by children without supervision.  
(IEC60335-1)

**For** IEC standard: This appliance is not intended for use by persons (including children) with reduced physical, sensory or mental capabilities, or lack of experience and knowledge, unless they have been given supervision or instruction concerning use of the appliance by a person responsible for their safety.)

**Children** should be supervised to ensure that they do not play with the appliance.

**If** the supply cord is damaged, it must be replaced by the manufacturer, its service agent or similarly qualified persons in order to avoid a hazard.

**Do** not store explosive substances such as aerosol cans with a flammable propellant in this appliance.

**The** appliance has to be unplugged after use and before carrying out user maintenance on the appliance.

**WARNING:** Risk of fire / flammable materials.

**WARNING:** Keep ventilation openings, in the appliance enclosure or in the built-in structure, clear of obstruction.

**WARNING:** Do not use mechanical devices or other means to accelerate the defrosting process, other than those recommended by the manufacturer.

**WARNING:** Do not damage the refrigerant circuit.

**WARNING:** Do not use electrical appliances inside the food storage compartments of the appliance, unless they are of the type recommended by the manufacturer.

**WARNING:** Please abandon the refrigerator according to local regulators for its use flammable blowing gas and refrigerant.

**Do** not use extension cords or ungrounded ( two prong ) adapters

**DANGER:** Risk of child entrapment. Before you throw away your old refrigerator or freezer:

-Take off the doors

-Leave the shelves in place so that children may not easily climb inside

**The** refrigerator must be disconnected from the source of electrical supply before attempting the installation of accessory

**Refrigerant** and cyclopentane foaming material used for the refrigerator are flammable.

Therefore, when the refrigerator is scrapped, it shall be kept away from any fire source and be recovered by a special recovering company with corresponding qualification other than be disposed by combustion, so as to prevent damage to the environment or any other harm.

## 1.2 Meaning of safety warning symbols



Prohibition symbol

This is a prohibition symbol.  
Any in compliance with instructions marked with this symbol may result in damage to the product or endanger the personal safety of the user.



Warning symbol

This is a warning symbol.  
It is required to operate in strict observance of instructions marked with this symbol; or otherwise damage to the product or personal injury may be caused.

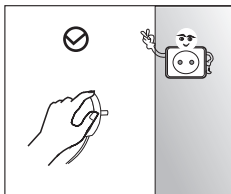


Note symbol

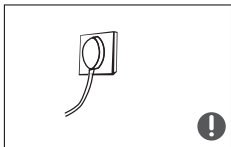
This is a cautioning symbol.  
Instructions marked with this symbol require special caution. Insufficient caution may result in slight or moderate injury, or damage to the product.

This manual contains lots of important safety information which shall be observed by the users.

## 1.3 Electricity related warnings



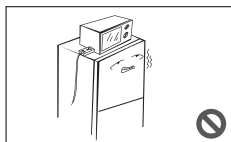
- Do not pull the power cord when pulling the power plug of the refrigerator. Please firmly grasp the plug and pull it out from the socket directly.
- To ensure safe use, do not damage the power cord or use the power cord when it is damaged or worn.



- Please use a dedicated power socket and the power socket shall not be shared with other electrical appliances. The power plug should be firmly contacted with the socket or else fires might be caused.
- Please ensure that the grounding electrode of the power socket is equipped with a reliable grounding line.

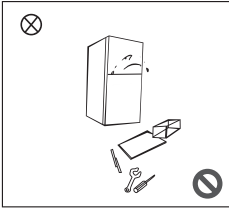


- Please turn off the valve of the leaking gas and then open the doors and windows in case of leakage of gas and other flammable gases. Do not unplug the refrigerator and other electrical appliances considering that spark may cause a fire.

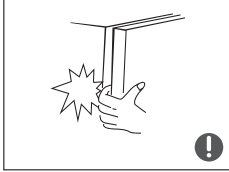


- Do not use electrical appliances on the top of the appliance, unless they are of the type recommended by the manufacturer.
- Do not use electrical appliances in the food storage compartments of the appliance, unless they are of the type recommended by supplier.

## 1.4 Warnings for using



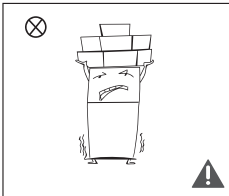
- Do not arbitrarily disassemble or reconstruct the refrigerator, nor damage the refrigerant circuit; maintenance of the appliance must be conducted by a specialist
- Damaged power cord must be replaced by the manufacturer, its maintenance department or related professionals in order to avoid danger.



- The gaps between refrigerator doors and between doors and refrigerator body are small, be noted not to put your hand in these areas to prevent from squeezing the finger. Please be gentle when close the refrigerator door to avoid falling articles.
- Do not pick foods or containers with wet hands in the freezing chamber when the refrigerator is running, especially metal containers in order to avoid frostbite.

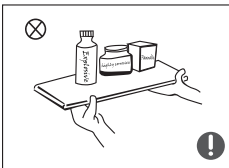


- Do not allow any child to get into or climb the refrigerator; otherwise suffocation or falling injury of the child may be caused.

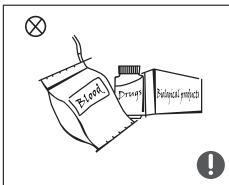


- Do not place heavy objects on the top of the refrigerator considering that objectives may fall when close or open the door, and accidental injuries might be caused.
- Please pull out the plug in case of power failure or cleaning. Do not connect the freezer to power supply within five minutes to prevent damages to the compressor due to successive starts.

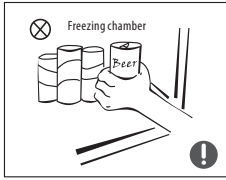
## 1.5 Warnings for placement



- Do not put flammable, explosive, volatile and highly corrosive items in the refrigerator to prevent damages to the product or fire accidents.
- Do not place flammable items near the refrigerator to avoid fires.



- The refrigerator is intended for household use, such as storage of foods; it shall not be used for other purposes, such as storage of blood, drugs or biological products, etc.



- Do not store beer, beverage or other fluid contained in bottles or enclosed containers in the freezing chamber of the refrigerator; otherwise the bottles or enclosed containers may crack due to freezing to cause damages.

## 1.6 Warnings for energy

- 1) Refrigerating appliances might not operate consistently (possibility of defrosting of contents or temperature becoming too warm in the frozen food compartment) when sited for an extended period of time below the cold end of the range of temperatures for which the refrigerating appliance is designed.
- 2) The fact that effervescent drinks should not be stored in food freezer compartments or cabinets or in low-temperature compartments or cabinets, and that some products such as water ices should not be consumed too cold;
- 3) The need to not exceed the storage time(s) recommended by the food manufacturers for any kind of food and particularly for commercially quick-frozen food in food-freezer and frozen-food storage compartments or cabinets;
- 4) The precautions necessary to prevent an undue rise in the temperature of the frozen food while defrosting the refrigerating appliance, such as wrapping the frozen food in several layers of newspaper.
- 5) The fact that a rise in temperature of the frozen food during manual defrosting, maintenance or cleaning could shorten the storage life.
- 6) The necessity that, for doors or lids fitted with locks and keys, the keys be kept out of the reach of children and not in the vicinity of the refrigerating appliance, in order to prevent children from being locked inside

## 1.7 Warnings for disposal

Refrigerant and cyclopentane foaming material used for the refrigerator are flammable.



Therefore, when the refrigerator is scrapped, it shall be kept away from any fire source and be recovered by a special recovering company with corresponding qualification other than be disposed by combustion, so as to prevent damage to the environment or any other harm.



When the refrigerator is scrapped, disassemble the doors, and remove gasket of door and shelves; put the doors and shelves in a proper place, so as to prevent trapping of any child.

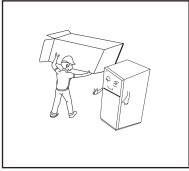


Correct Disposal of this product:

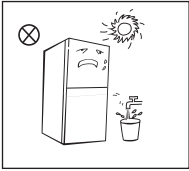
This marking indicates that this product should not be disposed in accordance with European Directive 2012/19/EU concerning used electrical and electronic appliances (WEEE). To prevent possible harm to the environment or human health from uncontrolled waste disposal, recycle it responsibly to promote the sustainable reuse of material resources. To return your used device, please use the return and collection systems or contact the retailer where the product was purchased. They can take this product for environmental safe recycling.

## 2 Proper use of refrigerators

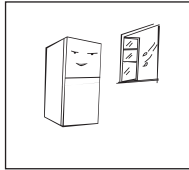
### 2.1 Placement



- Before use, remove all packing materials, including bottom cushions, foam pads and tapes inside of the refrigerator; tear off the protective film on the doors and the refrigerator body.



- Keep away from heat and avoid direct sunlight. Do not place the freezer in moist or watery places to prevent rust or reduction of insulating effect.
- Do not spray or wash the refrigerator; do not put the refrigerator in moist places easy to be splashed with water so as not to affect the electrical insulation properties of the refrigerator.



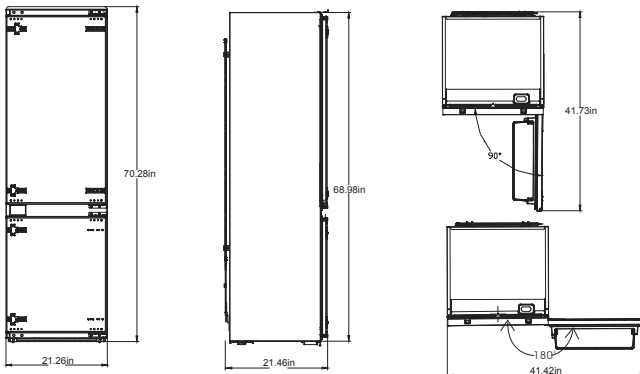
- The refrigerator is placed in a well-ventilated indoor place; the ground shall be flat, and sturdy.

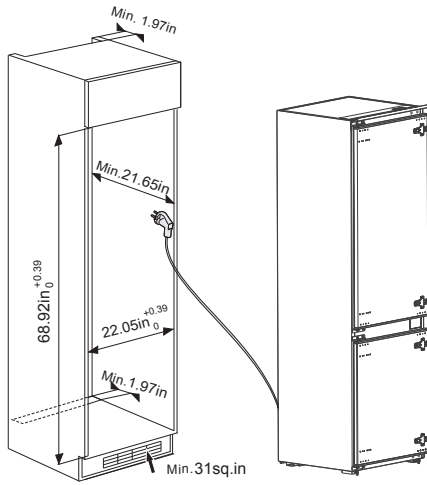
#### ! Precautions before installation:

Information in the Instruction Manual is only for reference. The physical product may differ. Before installation and adjusting of accessories, it shall be ensured that the refrigerator is disconnected from power.

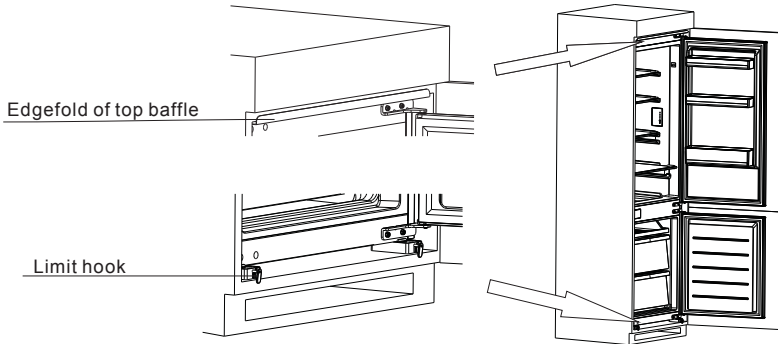
### 2.2 Installation in cabinet

- Fridge size and cabinet size requirement.

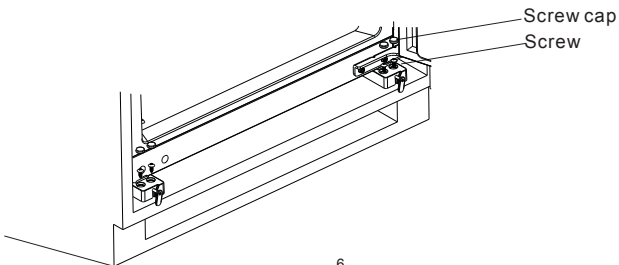




- Push the refrigerator into the cabinet and adjust it to make sure the edgefold of top baffle completely touch the top edge of the cabinet, and the limit hook of supporting leg completely touch the bottom edge of the cabinet.

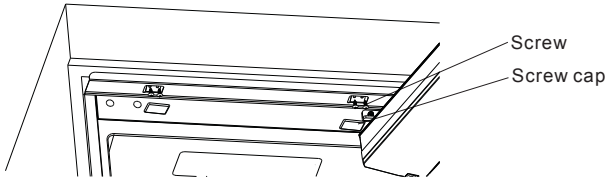


- Fix the supporting leg with screws, then install the screw caps.

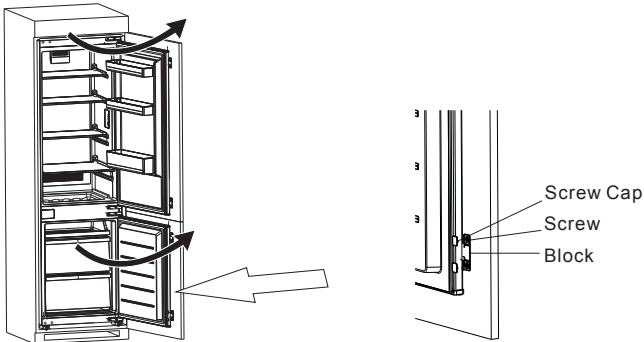




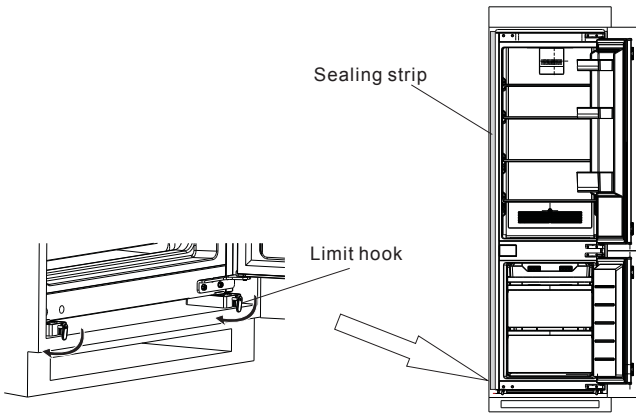
- Fix the top baffle to the top of the cabinet inner with screws, then install the screw caps.



- Open the lower door of cabinet the maximum angle, and open the lower door of the refrigerator to the corresponding position. Sliding the block to make sure inner edge align with the lower door edge of refrigerator, then fix the block to the door of cabinet with screw and install screw caps. Fix the upper refrigerator door to the cabinet door in the same way.







- Take out the sealing strip from accessory bag, and press it in the gap between the cabinet and the refrigerator, then adjust the limit hook to original position . Installation is completed.

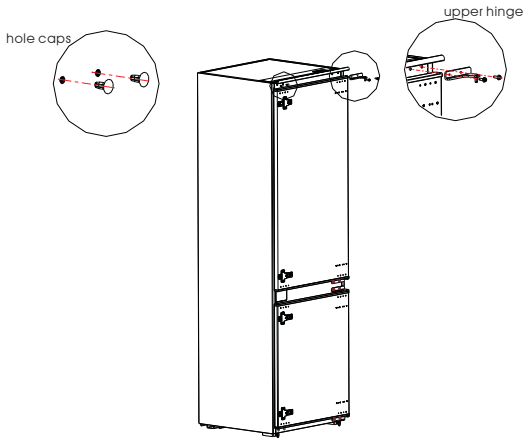


( The picture above is only for reference. The actual configuration will depend on the physical product or statement by the distributor )

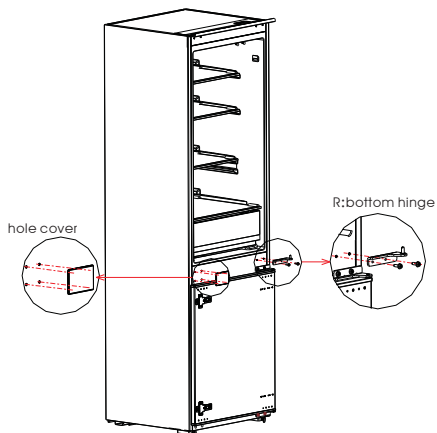
### 2.3 Door Right-Left Change

List of tools to be provided by the user			
	Cross screwdriver		Putty knife thin-blade screwdriver
	5/16" socket and ratchet		Masking tape

- 1) Power off the refrigerator, and remove all objects from the door trays.
- 2) Remove the upper hinge and hole caps of refrigerator door.

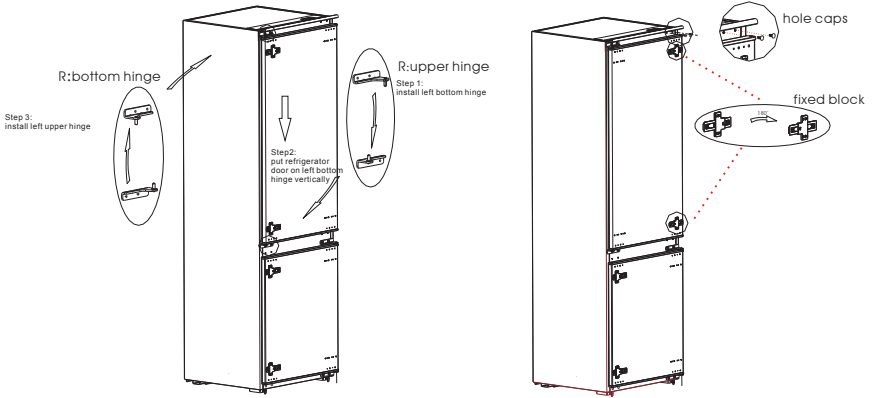


- 3) Remove the refrigerator door, the bottom hinge and the hole cover.

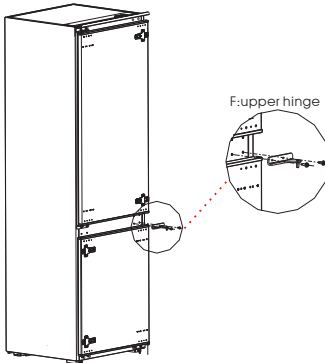


3) Exchange the R:bottom hinge and R:upper hinge ,then install them according to below steps, and install the top hole caps.

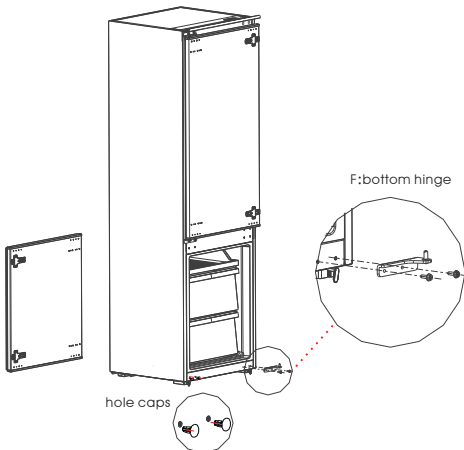
4) Remove the two fixed blocks of refrigerator door and rotate them for 180° , and install them on other side of refrigerator door.



5) Remove the the upper hinge of freezer door.

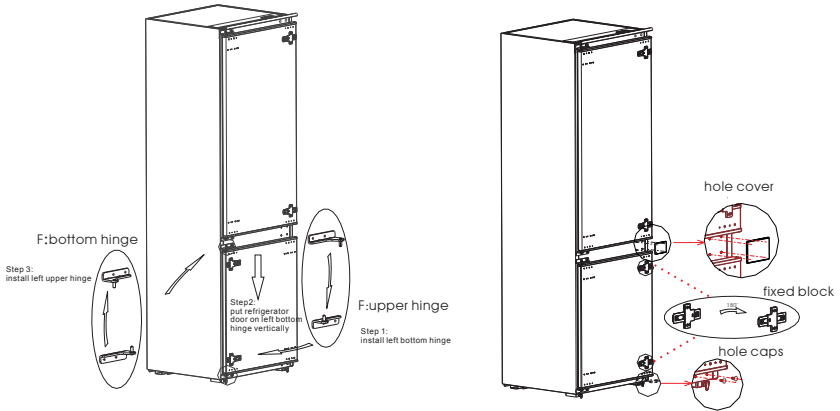


6) Remove the freezer door, the bottom hinge and the hole caps.

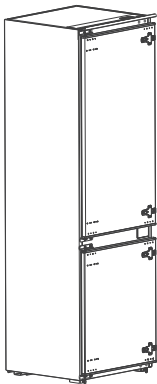


7) Exchange the F:bottom hinge and F:upper hinge ,then install them according to below steps, and install the top hole cover and lower hole caps.

8) Remove the two fixed blocks of freezer door and rotate them for 180° , and install them on other side of freezer door.



9). The picture after completion is shown as below

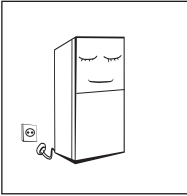


( The picture above is only for reference. The actual configuration will depend on the physical product or statement by the distributor )

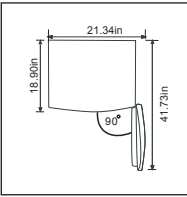
## 2.3 Changing the Light

Any replacement or maintenance of the LED lamps is intended to be made by the manufacturer, its service agent or similar qualified person.

## 2.4 Starting



- Before initial start, keep the refrigerator still for half an hour before connecting it to power supply.
- Before putting any fresh or frozen foods, the refrigerator shall have run for 2–3 hours, or for above 4 hours in summer when the ambient temperature is high.



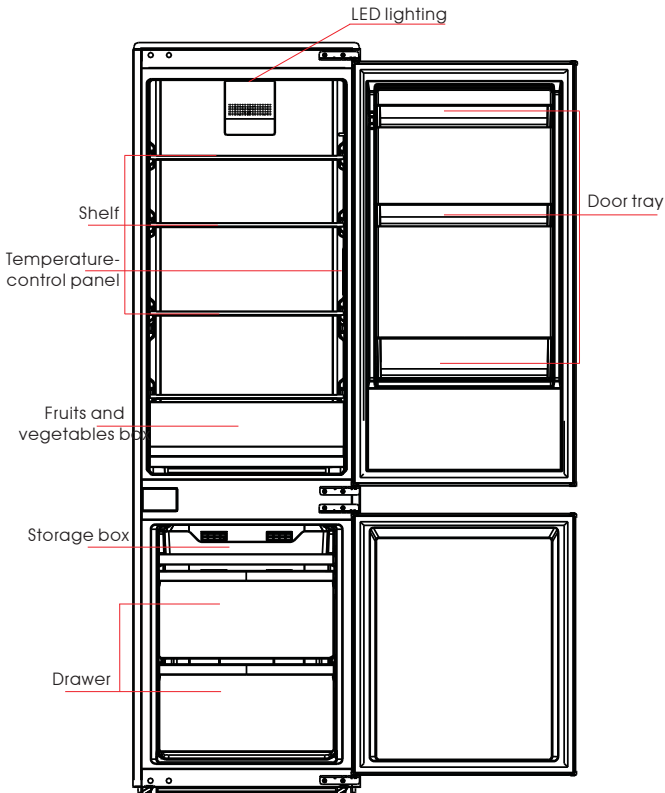
- Spare enough space for convenient opening of the doors and drawers or statement by the distributor.

## 2.5 Energy saving tips

- The appliance should be located in the coolest area of the room, away from heat producing appliances or heating ducts, and out of the direct sunlight.
- Let hot foods cool to room temperature before placing in the appliance. Overloading the appliance forces the compressor to run longer. Foods that freeze too slowly may lose quality, or spoil.
- Be sure to wrap foods properly, and wipe containers dry before placing them in the appliance. This cuts down on frost build-up inside the appliance.
- Appliance storage bin should not be lined with aluminum foil, wax paper, or paper toweling. Liners interfere with cold air circulation, making the appliance less efficient.
- Organize and label food to reduce door openings and extended searches. Remove as many items as needed at one time, and close the door as soon as possible.

## 3 Structure and functions

### 3.1 Key components



**⚠** ( The picture above is only for reference. The actual configuration will depend on the physical product or statement by the distributor )

#### Refrigerating chamber

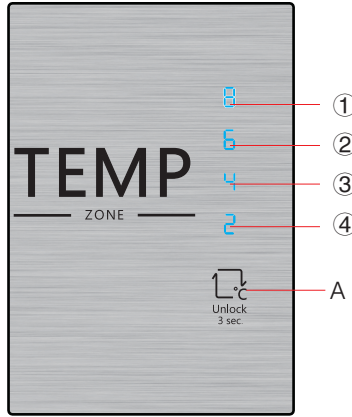
- The Refrigerating Chamber is suitable for storage of a variety of fruits, vegetables, beverages and other food consumed in the short term.
- Cooking foods shall not be put in the refrigerating chamber until cooled to room temperature.
- Foods are recommended to be sealed up before putting into the refrigerator.
- The glass shelves can be adjusted up or down for a reasonable amount of storage space and easy use.

#### Freezing chamber

- The low temperature freezing chamber may keep food fresh for a long time and it is mainly used to store frozen foods and making ice.
- The freezing chamber is suitable for storage of meat, fish, rice balls and other foods not to be consumed in short term.
- Chunks of meat are preferably to be divided into small pieces for easy access. Please be noted food shall be consumed within the shelf time.

Note: Storage of too much food during operation after the initial connection to power may adversely affect the freezing effect of the refrigerator. Foods stored shall not block the air outlet; or otherwise the freezing effect will also be adversely affected.

## 3.2 Functions



**!** ( The picture above is only for reference. The actual configuration will depend on the physical product or statement by the distributor )

### 1)Key

A.Temperature setting button of refrigerator compartment

### 2)Display screen

①setting 1: 8℃

②setting 2: 6℃

③setting 3: 4℃

④setting 4: 2℃

### 3)Display

Once initially powered on,the display screen is on full display for 3s. and then the refrigerator runs according to setting 3.

Normal operation display

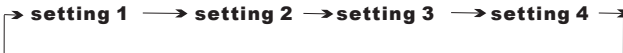
In case of a failure, the corresponding LED blinks.

In case of no failures, it shows the actual temperature setting of refrigerator.

Fault Code	Fault Description
indicator setting 1	Refrigerator temperature sensor circuit
indicator setting 2	Refrigerator defrost sensor
indicator setting 3	Freezer defrost sensor
indicator setting 4	Ambient temperature sensor

### 4)temperature setting

Each time the temperature setting button A is pressed once,the temperature setting changes one time. After the temperature setting has been completed, the refrigerator will run according to the set value after 15s. The shift regulation is:



### 5)Lock/Unlock

When the temperature control panel is in lock state, it needs to long press temperature setting key for 3 seconds for unlocking the panel, all LEDs will blink for 2 second when panel is unlocked.

When the temperature control panel is in unlock state, if there is no operation on control panel within 15 seconds, it will enter into lock state automatically.

## 4. Maintenance and care of the refrigerator

### 4.1 Overall cleaning

- Dusts behind the refrigerator and on the ground shall be timely cleaned to improve the cooling effect and energy saving. The interior of the refrigerator should be cleaned regularly to avoid odor. Soft towels or sponge dipped in water and non-corrosive neutral detergents are suggested for cleaning. The freezer of shall be finally cleaned with clean water and dry cloth. Open the door for natural drying before the power is turned on.
- Do not use hard brushes, clean steel balls, wire brushes, abrasives, such as toothpastes, organic solvents (such as alcohol, acetone, banana oil, etc.), boiling water, acid or alkaline items clean refrigerator considering that this may damage the fridge surface and interior.
- Do not rinse with water so as not to affect the electrical insulation properties.



⚠ Please unplug the refrigerator for defrost and cleaning.

### 4.2 Defrosting

- The refrigerator is made based on the air-cooling principle and thus has automatic defrosting function. Frost formed due to change of season or temperature may also be manually removed by disconnection of the appliance from power supply or by wiping with a dry towel.

### 4.3 Out of operation

- Power failure: In case of power failure, even if it is in summer, foods inside the appliance can be kept for several hours; during the power failure, the times of door opening shall be reduced, and no more fresh food shall be put into the appliance.
- Long-time nonuse: The appliance shall be unplugged and then cleaned; then the doors are left open to prevent odor.
- Moving: Before the refrigerator is moved, take all objects inside out, fix the glass partitions, vegetable holder, freezing chamber drawers and etc. with tape, and tighten the leveling feet; close the doors and seal them with tape. During moving, the appliance shall not be laid upside down or horizontally, or be vibrated; the inclination during movement shall be no more than 45°.

⚠ The appliance shall run continuously once it is started. Generally, the operation of the appliance shall not be interrupted; or otherwise the service life may be impaired



## 5 Trouble shooting

5.1 You may try to solve the following simple problems by yourself.  
If them cannot be solved, please contact the after-sales department.

Failed operation	<p>Check whether the appliance is connected to power or whether the plug is in well contact</p> <p>Check whether the voltage is too low</p> <p>Check whether there is a power failure or partial circuits have tripped</p>
Odor	<p>Odorous foods shall be tightly wrapped</p> <p>Check whether there is any rotten food</p> <p>Clean the inside of the refrigerator</p>
Long-time operation of the compressor	<p>Long operation of the refrigerator is normal in summer when the ambient temperature is high</p> <p>It is not suggestible having too much food in the appliance at the same time</p> <p>Food shall get cool before being put into the appliance</p> <p>The doors are opened too frequently</p>
Light fails to get lit	<p>Check whether the refrigerator is connected to power supply and whether the illuminating light is damaged</p> <p>Have the light replaced by a specialist</p>
Doors cannot be properly closed	<p>The door is stuck by food packages</p> <p>The refrigerator is tilted</p>
Loud noise	<p>Check whether the floor is level and whether the refrigerator is placed stably</p> <p>Check whether accessories are placed at proper locations</p>
Door seal fails to be tight	<p>Remove foreign matters on the door seal</p> <p>Heat the door seal and then cool it for restoration (or blow it with an electrical drier or use a hot towel for heating)</p>
Water pan overflows	<p>There is too much food in the chamber or food stored contains too much water, resulting in heavy defrosting</p> <p>The doors are not closed properly, resulting in frosting due to entry of air and increased water due to defrosting</p>
Hot housing	<p>Heat dissipation of the built-in condenser via the housing, which is normal. When housing becomes hot due to high ambient temperature and storage of too much food, it is recommended to provide sound ventilation to facilitate heat dissipation.</p>
Surface condensation	<p>Condensation on the exterior surface and door seals of the refrigerator is normal when the ambient humidity is too high. Just wipe the condensate with a clean towel.</p>
Abnormal noise	<p>Buzz: The compressor may produce buzzes during operation, and the buzzes are loud particularly upon start or stop. This is normal.</p> <p>Creak: Refrigerant flowing inside of the appliance may produce creak, which is normal.</p>



F.LLI BERTAZZONIITALIE

**MANUEL D'INSTRUCTIONS**

**Réfrigérateur-Congélateur**

MODÈLE: REF24PR

## Table des Matières

1 Avertissements de sécurité .....	1
1.1 Avertissement .....	1
1.2 Signification des symboles d'avertissement de sécurité .....	2
1.3 Avertissements liés à l'électricité .....	2
1.4 Avertissements pour l'utilisation .....	3
1.5 Avertissements pour le placement .....	3
1.6 Avertissements pour l'énergie .....	4
1.7 Avertissements pour l'élimination .....	4
2 Utilisation appropriée des réfrigérateurs .....	5
2.1 Installation .....	5
2.2 Installation en armoire .....	5
2.3 Changement du Porte droite-gauche .....	8
2.4 Changer la lampe .....	11
2.5 Commencer l'utilisation .....	11
2.6 Conseils d'économie d'énergie .....	11
3 Désignation et fonctions .....	12
3.1 Composants clés .....	12
3.2 Fonctions .....	13
4. Entretien de l'appareil .....	14
4.1 Nettoyage général .....	14
4.2 Décongélation .....	14
4.3 Hors service .....	14
5 Dépannage .....	15

# 1 Avertissements de sécurité

## 1.1 Avertissement



**Avertissement:** risque d'incendie / matériaux inflammables

RECOMMANDATIONS :

Cet appareil est destiné à être utilisé dans le cadre d'applications domestiques et similaires telles que les cuisines pour le personnel dans les magasins, les bureaux et autres environnements de travail; les maisons et par les clients dans les hôtels, motels et autres environnements de type résidentiel; chambre d'hôtes; restauration et environnement similaire.

(EN60335-2-24)

**Pour** la Norme EN: Cet appareil peut être utilisé par les enfants âgés de 8 ans et plus et les personnes ayant des capacités sensorielles ou mentales physiques réduites ou qu'ils manquent d'expérience et de connaissance s'ils ont été supervisés ou instruits sur l'utilisation de l'appareil en toute sécurité et comprennent les dangers impliqués. Les enfants ne doivent pas jouer avec l'appareil. Le nettoyage et la maintenance par l'utilisateur ne doivent pas être faits par des enfants sans surveillance.

(IEC60335-1)

**Pour** la Norme CEI: Cet appareil n'est pas destiné à être utilisé par des personnes (y compris les enfants) ayant des capacités physiques, sensorielles ou mentales réduites, ou qu'ils manquent d'expérience et de connaissances, à moins d'être supervisé ou instruit par un responsable pour leur sécurité.)

**Enfants** doivent être surveillés pour s'assurer qu'ils ne jouent pas avec l'appareil.

**Si** le cordon d'alimentation est endommagé, il doit être remplacé par le fabricant, son agent de maintenance ou des personnes de qualification similaire afin d'éviter un danger.

**Ne** stockez pas de substances explosives telles que les contenants d'aérosol avec gaz propulseur inflammable dans cet appareil.

**L'appareil** doit être débranché après usage et avant de procéder à l'entretien par l'utilisateur sur l'appareil.

**AVERTISSEMENT:** Risque d'incendie I matériaux inflammables.

**AVERTISSEMENT :** Gardez les ouvertures de ventilation, dans l'enceinte de l'appareil ou dans la structure intégrée, sans obstruction.

**AVERTISSEMENT :** N'utilisez pas de dispositifs mécaniques ou des autres moyens pour accélérer la décongélation, autres que ceux recommandés par le fabricant.

**AVERTISSEMENT:** N'endommagez pas le circuit réfrigérant.

**AVERTISSEMENT:** N'utilisez pas d'appareils électriques dans les compartiments de rangement des aliments de l'appareil, sauf s'ils sont du type recommandé par le fabricant;

**AVERTISSEMENT :** Veuillez-vous débarrasser du réfrigérateur conformément aux réglementations locales pour l'utilisation de gaz inflammable et de réfrigérant.

**AVERTISSEMENT :** Lors de la mise en place de l'appareil, assurez-vous que le câble d'alimentation n'est pas coincé ou endommagé.

**AVERTISSEMENT :** Ne placez pas de prises multiples à l'arrière de l'appareil.

N'utilisez pas de rallonges ou d'adaptateurs sans mise à la terre (deux broches).

**DANGER :** Risque d'emprisonnement d'enfants. Avant d'abandonner votre vieux réfrigérateur ou congélateur:




- Enlevez les portes.

-Laissez les clayettes en place afin que les enfants ne puissent pas facilement monter à l'intérieur.

**Le** réfrigérateur doit être déconnecté de la source d'alimentation électrique avant de tenter l'installation d'accessoire.

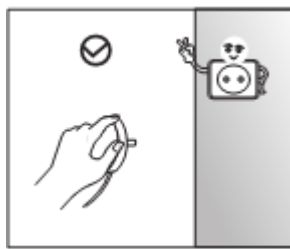
**Les matériaux** moussant de réfrigérant et le cyclopentane utilisé pour le réfrigérateur est inflammable. Par conséquent, lorsque le réfrigérateur est mis au rebut, il doit être gardé loin de toute source qui pourrait provoquer un incendie et être récupéré par une société de recyclage agréée .

## 1.2 Signification des symboles d'avertissement de sécurité

 Symbole d'interdiction	Ceci est un symbole d'interdiction. Tout non respect des instructions portant ce symbole peut endommager le produit ou compromettre la sécurité personnelle de l'utilisateur.
 Symbole d'avertissement	Ceci est un symbole d'avertissement. Il est nécessaire de fonctionner dans le strict respect des instructions marquées avec ce symbole; sinon, des dommages au produit ou des blessures personnelles peuvent être causés.
 Symbole de la note	Ceci est un symbole d'avertissement. Les instructions portant ce symbole nécessitent des précautions particulières. Une prudence insuffisante peut entraîner des blessures légères ou modérées ou endommager le produit.

Ce manuel contient de nombreuses informations de sécurité importantes qui doivent être respectées par les utilisateurs.

## 1.3 Avertissements liés à l'électricité



- Ne tirez pas sur le câble d'alimentation lorsque vous tirez sur la prise d'alimentation du réfrigérateur. Veuillez saisir fermement la fiche et la retirer directement de la prise.
- Pour garantir une utilisation sûre, n'endommagez pas le câble d'alimentation et n'utilisez pas le câble d'alimentation lorsqu'il est endommagé ou usé.



- Veuillez utiliser une prise de courant dédiée spécialement et ne partagez pas la prise de courant avec d'autres appareils électriques. Le câble d'alimentation doit être tenu et en contact fermement avec la prise, sinon des incendies pourraient être causés.
- Veuillez vous assurer que l'électrode de mise à la terre de la prise de courant est équipée d'une ligne de mise à la terre fiable.

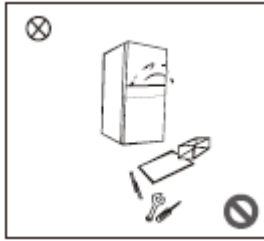


- Fermez la soupape de la fuite du gaz, puis ouvrez les portes et les fenêtres en cas de fuite de gaz et d'autres gaz inflammables. Ne débranchez pas le réfrigérateur et les autres appareils électriques, étant donné qu'une étincelle pourrait provoquer un incendie.



- N'utilisez pas d'appareils électriques au dessus de l'appareil, à moins qu'ils ne soient du type recommandé par le fabricant.
- Ne utiliser pas d'appareils électriques dans les compartiments de rangement des aliments de l'appareil, sauf s'ils sont du type recommandé par le fournisseur.

## 1.4 Avertissements pour l'utilisation



- Ne pas désassembler ou reconstruire arbitrairement le réfrigérateur, ni endommager le circuit de réfrigérant; l'entretien de l'appareil doit être fait par un spécialiste
- Le câble d'alimentation endommagé doit être remplacé par le fabricant, son service de maintenance ou ses professionnels associés afin d'éviter tout danger.



- Les espaces entre les portes du réfrigérateur et entre les portes et le corps du réfrigérateur sont petits. Il est recommandé de ne pas mettre la main dans ces zones pour éviter le pincement du doigt. Veuillez être doux lorsque vous fermez la porte du réfrigérateur pour éviter la chute des articles.
- Ne prenez pas les aliments ou les récipients avec les mains mouillées dans la partie congélation lorsque le réfrigérateur est en marche, surtout les récipients en métal afin d'éviter les engelures.



- Ne permettez à aucun enfant d'entrer ou grimper dans le réfrigérateur; sinon une suffocation ou une chute de l'enfant peut être provoquée.

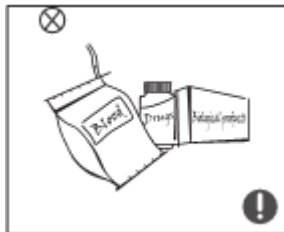


- Ne placez pas d'objets lourds au dessus du réfrigérateur vu que ceux ci risquent de tomber lorsque vous fermez ou ouvrez la porte, et des blessures accidentelles pourraient être causées.
- Veuillez retirer la fiche en cas de coupure de courant ou de nettoyage. Ne connectez pas le congélateur à l'alimentation d'énergie dans les cinq minutes qui suivent pour éviter d'endommager le compresseur en raison de démarrages successifs.

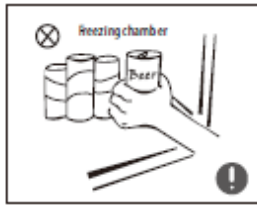
## 1.5 Avertissements pour le placement



- Ne placez pas d'objets inflammables, explosifs, volatils et très corrosifs dans le réfrigérateur pour éviter d'endommager le produit ou de provoquer un incendie.
- Ne placez pas d'objets inflammables près du réfrigérateur pour éviter les incendies.



- Le réfrigérateur est destiné à un usage domestique, tel que le stockage d'aliments; il ne doit pas être utilisé à d'autres fins, telles que le stockage de sang, de médicaments ou de produits biologiques, etc.



- Ne stockez pas la bière, les boissons ou tout autre liquide contenu dans des bouteilles ou des contenants fermés dans la partie congélation du réfrigérateur; à défaut, les bouteilles ou les récipient fermés peuvent se fissurer à cause de la congélation et provoquer des dommages.

## 1.6 Avertissements pour l'énergie

1) (Les appareils de réfrigération pourraient ne pas fonctionner de façon constante (possibilité de décongélation du contenu ou de température trop chaude dans le compartiment congélateur) lorsqu'ils sont mis pendant une longue période en dessous de la limite froide de la température du réfrigérateur.

2) Les boissons effervescentes ne doivent pas être stockées dans des compartiments ou des armoires ou

dans les compartiments ou armoires à basse température, certains produits tels que les sorbets alimentaires ne doivent pas être consommés trop froid;

3) La nécessité de ne pas dépasser la limite de stockage recommandée par les fabricants alimentaires pour tout type d'aliments et particulièrement pour les aliments rapidement-surgelés commercialement dans des compartiments ou cabinets de congélation ;

4) Les précautions nécessaires pour éviter une élévation indue de la température des aliments congelés pendant la décongélation de l'appareil de réfrigération, par exemple en emballant les aliments congelés dans plusieurs couches de papier journal.

5) Le fait qu'une augmentation de la température des aliments congelés pendant la décongélation manuelle, l'entretien ou le nettoyage pourrait raccourcir la durée de conservation.

6) La nécessité que, pour les portes ou les couvercles munis de serrures et de clés, les clés soient gardées loin de la portée des enfants et non à proximité de l'appareil de réfrigération, afin d'empêcher les enfants d'être enfermés à l'intérieur

## 1.7 Avertissements pour l'élimination

Les matériaux Réfrigérant et cyclopentane écumant utilisés pour le réfrigérateur sont inflammables. Par conséquent, lorsque le réfrigérateur est mis au rebut, il doit se trouver éloigné de toute source de feu et être récupéré par un recouvrement spécial entreprise avec qualification correspondante autre qu'être éliminés par combustion, afin de prévenir les dommages à l'environnement ou tout autre préjudice.



Lorsque le réfrigérateur est mis au rebut, démonter les portes et ôter le joint de porte et étagères ; mettre les portes et les étagères dans un endroit approprié, afin d'éviter la capture de n'importe quel enfant.



Mise au rebut correcte de ce produit:

Ce marquage indique que ce produit ne doit pas être jeté conformément à la Directive 2012/19/UE européenne concernant les Appareils (WEEE) électriques et électroniques usagés.

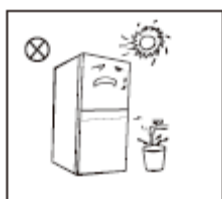
Ce marquage indique que ce produit ne doit pas être mis au rebut avec d'autres déchets ménagers partout dans l'UE. Pour éviter que la mise au rebut incontrôlée des déchets ne nuise pas à l'environnement ou à la santé humaine, recyclez-les de façon responsable afin de promouvoir la réutilisation durable des ressources matérielles. Pour retourner votre appareil usagé, veuillez utiliser les systèmes de retour et de collecte ou contacter le détaillant où le produit a été acheté. Ils peuvent prendre ce produit pour un recyclage sans danger pour l'environnement.

## 2 Utilisation appropriée des réfrigérateurs

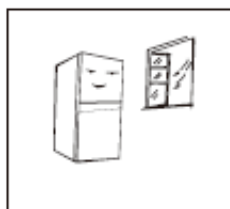
### 2.1 Installation



- Avant utilisation, retirez tous les matériaux d'emballage, y compris les boutons amortis, les tampons en mousse et les rubans à l'intérieur du réfrigérateur; arrachez le film protecteur sur les portes et le corps du réfrigérateur.



- Tenir à l'écart de la chaleur et éviter les rayons directs du soleil. Ne placez pas le réfrigérateur dans des endroits humides ou aqueux pour éviter la rouille ou la réduction de l'effet isolant.



- Ne pulvérisez pas d'eau sur le réfrigérateur pour le nettoyer; Ne placez pas le réfrigérateur dans des endroits humides faciles à éclabousser avec de l'eau afin de ne pas affecter les propriétés d'isolation électrique du réfrigérateur.

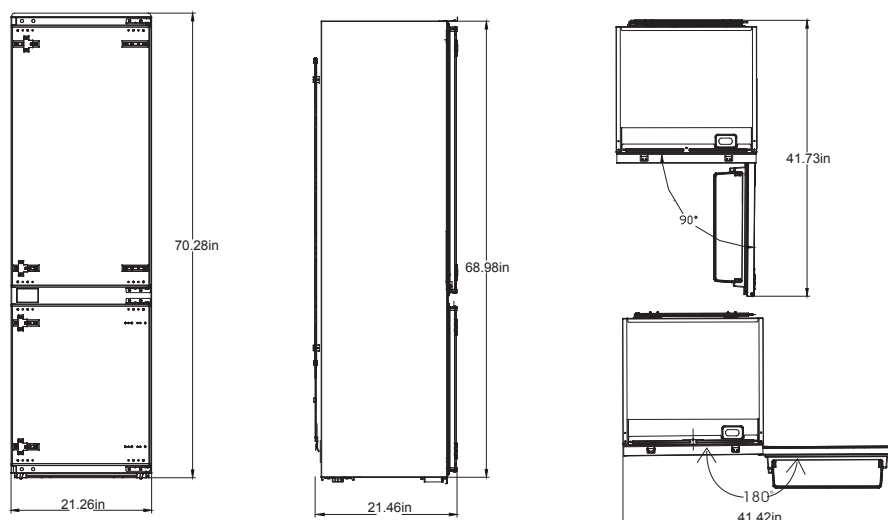
- Le réfrigérateur est placé dans un endroit intérieur bien ventilé; le sol doit être plat et solide.

#### ! Précautions avant l'installation:

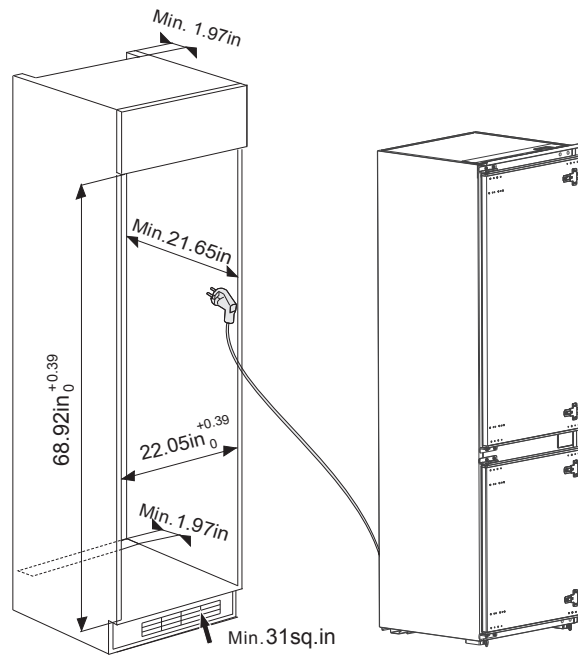
Les Informations dans le manuel d'instructions sont seulement pour cette référence. Le produit physique peut différer. Avant l'installation et le réglage des accessoires, il faut s'assurer que le réfrigérateur est déconnecté du courant.

### 2.2 Installation en armoire

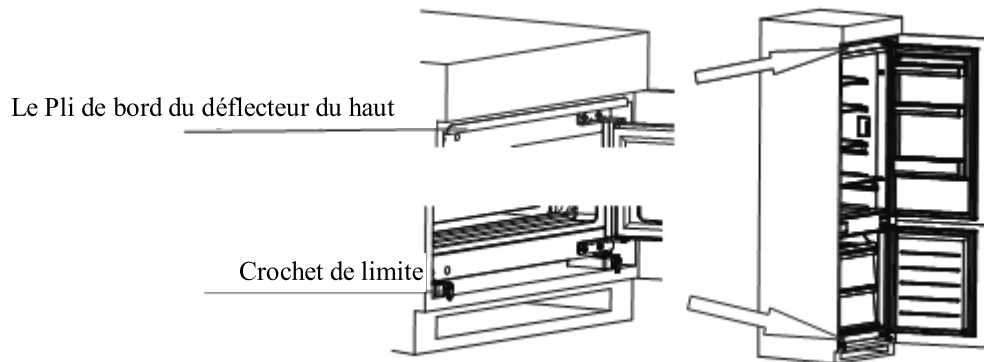
- Taille de Réfrigérateur et exigence de la taille du cabinet.



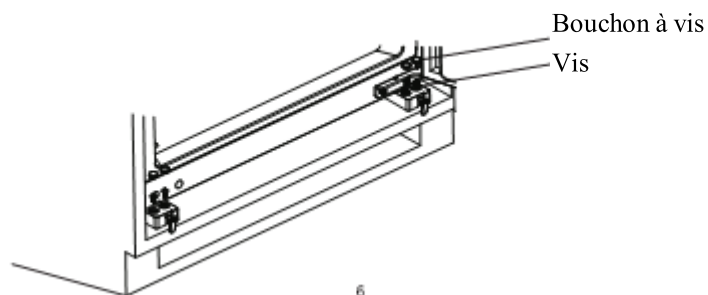




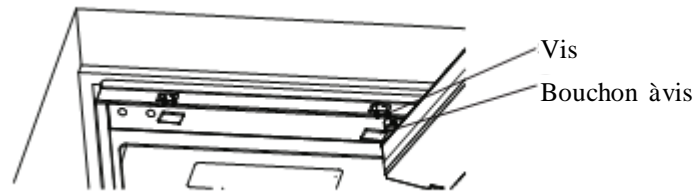
- Pousser le réfrigérateur dans l'armoire et l'ajuster pour s'assurer que l'Pli de bord du déflecteur du haut toucher complètement la partie supérieure de l'armoire, et le crochet de la limite du pied de soutien complètement toucher le bord inférieur de l'armoire.



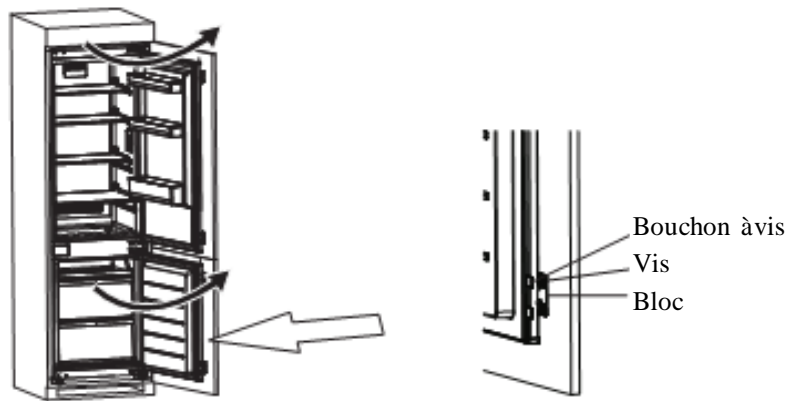
- Fixer la béquille avec vis, puis installez les cache-vis.



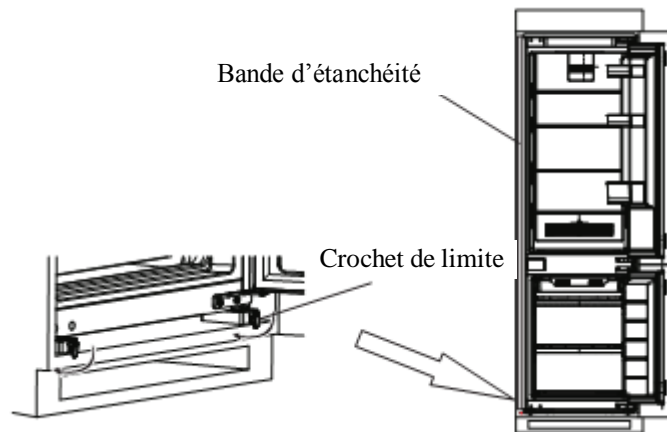
- Fixer le déflecteur du haut vers le haut de l'armoire intérieure avec vis, puis installez les cache-vis.



- Ouvrez la porte inférieure de l'armoire à l'angle maximal et ouvrez la porte inférieure du réfrigérateur à la position correspondante. Le patin pour rendre le bord intérieur bien sûr s'aligne sur le bord inférieur de la porte du réfrigérateur, puis fixez le bloc à la porte de l'armoire avec vis et installez des bouchons à vis. Fixez la porte du réfrigérateur supérieur à la porte de l'armoire de la même manière.







- Sortir de la bande de sac d'accessoires, appuyez dessus dans l'écart entre le cabinet et le réfrigérateur, puis ajuster le crochet de limite à la position initiale. Installation est terminée.

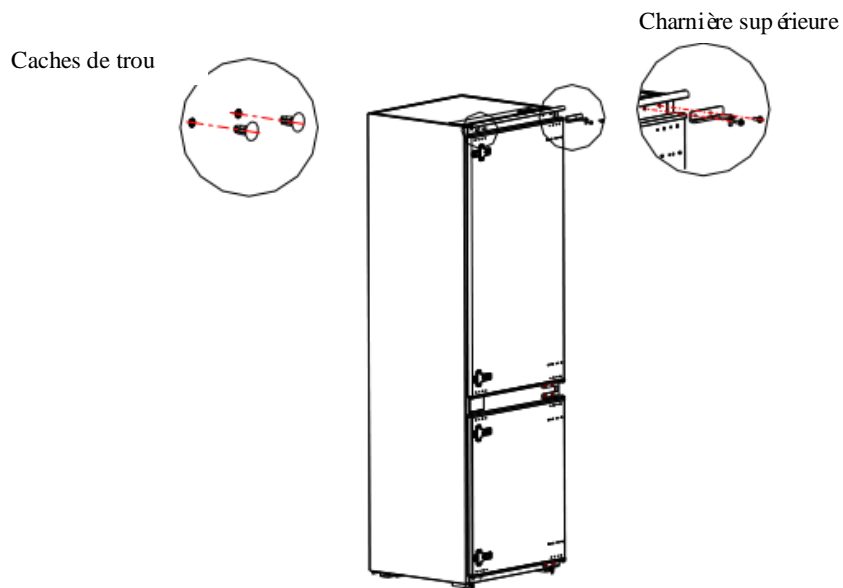


(La photo ci-dessus est seulement pour la référence. La configuration réelle dépendra de l'instruction par le distributeur ou le produit physique)

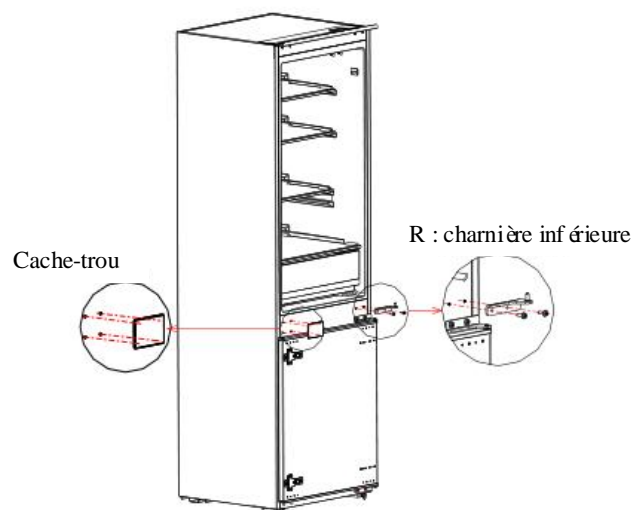
### 2.3 Changement du Porte droite-gauche

Liste des outils nécessaires pour ces travaux			
	Tournevis en croix		Tournevis à lame fine un couteau à mastic
	5/16 " Cliquet		Ruban adhésif de masquage

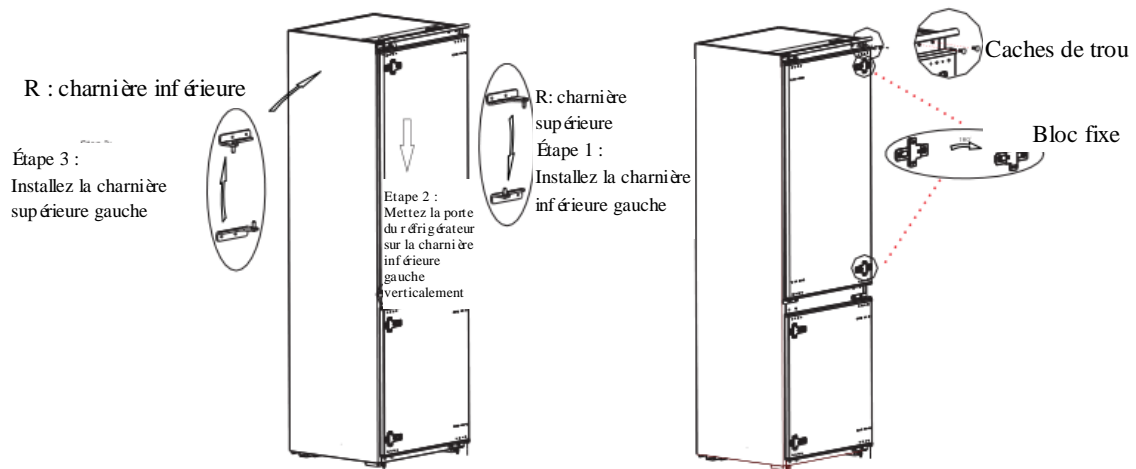
- 1) Mise hors tension du réfrigérateur et retirez tous les objets dans les plateaux de la porte.
- 2) Retirez la porte du réfrigérateur, la charnière et le cache du trou.



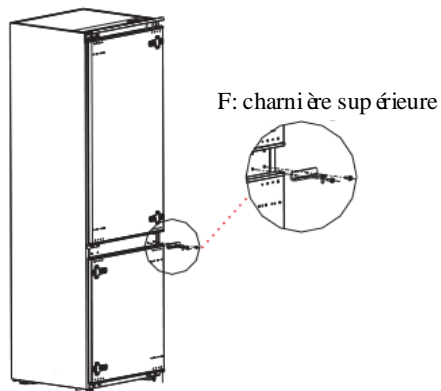
- 3) Retirez les caches supérieurs de charnière et trou de porte du réfrigérateur.



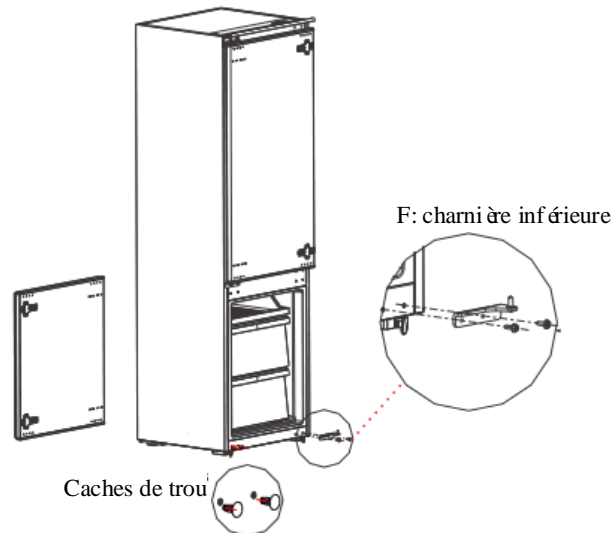
- 3) Echanger la charnière de la R: charnière inférieure et la R: charnière supérieure, puis installez-les selon procédure ci-dessous et installez les capuchons de trou supérieur.
- 4) Retirez les deux blocs fixes de porte du réfrigérateur et les tourner de 180° et installez-les sur l'autre côté du réfrigérateur.



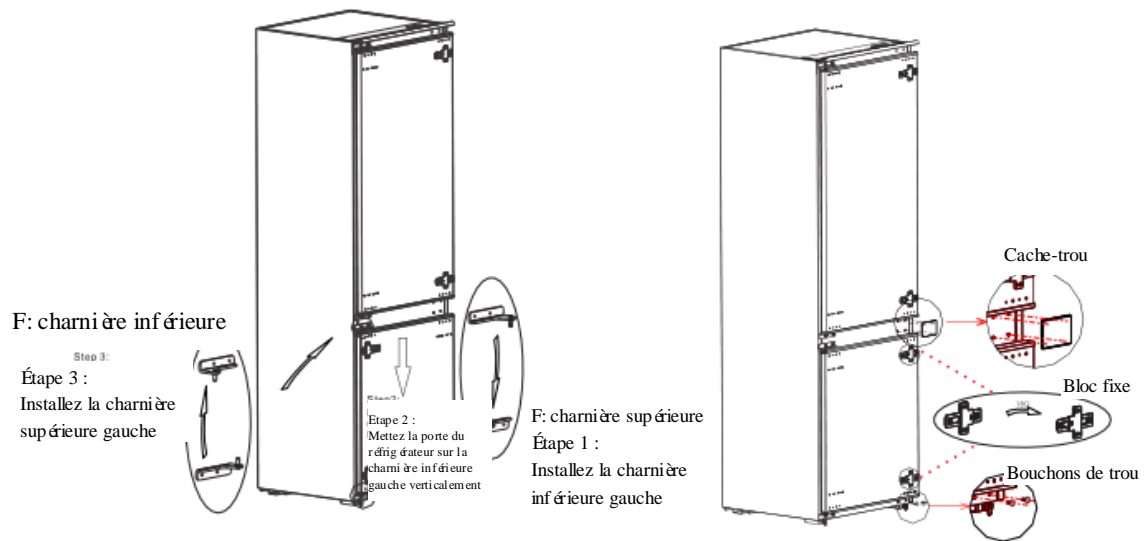
- 5) Retirez la charnière supérieure de la porte du congélateur.



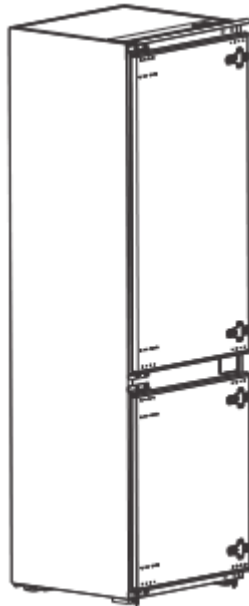
- 6) Retirez la porte du congélateur, la charnière et les caches de trou.



- 7) Echanger la charnière de la F: charnière inférieure et la F: charnière supérieure, puis installez-les selon étapes ci-dessous et installez le cache de l'orifice supérieur et inférieur.
- 8) Retirez les deux blocs fixes de porte du congélateur et faire pivoter de 180° et les installer sur l'autre côté de la porte du congélateur



- 9) L'image une fois le changement effectué est présentée ci-dessous

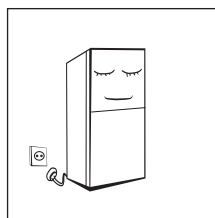


(L'image ci-dessus est seulement pour cette référence. La configuration réelle dépendra de l'instruction par le distributeur ou le produit physique)

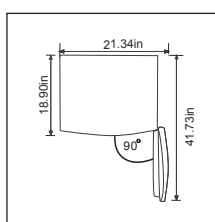
## 2.4 Changer la lampe

Tout remplacement ou maintenance des lampes à LED est destiné à être effectué par le fabricant, son agent de service ou une personne qualifiée similaire.

## 2.5 Commencer l'utilisation



- Avant le démarrage initial, laissez le réfrigérateur immobile pendant une demi-heure avant de le brancher à l'alimentation électrique.
- Avant de mettre des aliments frais ou congelés, le réfrigérateur doit fonctionner pendant 2 à 3 heures ou plus de 4 heures en été lorsque la température ambiante est élevée.



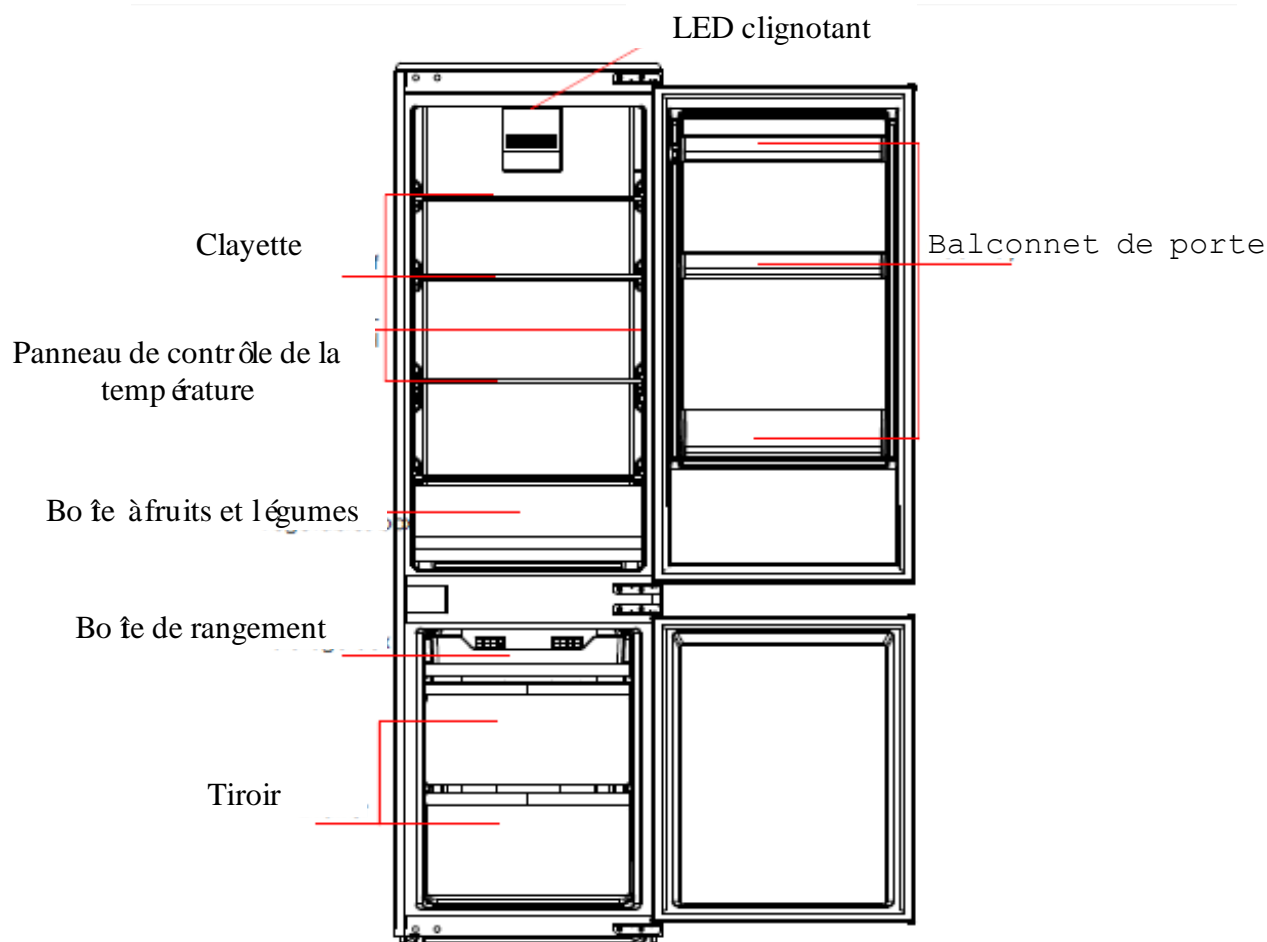
- Réservez un espace suffisant pour une ouverture pratique des portes et des tiroirs.


## 2.6 Conseils d'économie d'énergie

- L'appareil doit être situé dans la zone la plus froide de la pièce, loin des appareils produisant de la chaleur ou des conduits de chauffage, et à l'abri des rayons directs du soleil.
- Laissez les aliments chauds refroidir à la température ambiante avant de les placer dans l'appareil. Une surcharge de l'appareil force le compresseur à fonctionner plus longtemps. Les aliments qui gèlent trop lentement peuvent perdre leurs qualités ou se gâter.
- Veillez à bien emballer les aliments et essuyez les récipients avant de les placer dans l'appareil. Cela réduit l'accumulation de glace à l'intérieur de l'appareil.
- Le bac de rangement de l'appareil ne doit pas être recouvert d'une feuille d'aluminium, de papier ciré ou d'une serviette en papier. Les revêtements interfèrent avec la circulation d'air froid, rendant l'appareil moins efficace.
- Organisez et étiquetez les aliments pour réduire les ouvertures de portes et les recherches prolongées. Retirez autant d'articles que nécessaire en même temps et fermez la porte le plus rapidement possible.

## 3D désignation et fonctions

### 3.1 Composants clés



 (L'image ci-dessus est seulement pour indication. La configuration réelle dépendra du produit physique ou de la déclaration du distributeur)

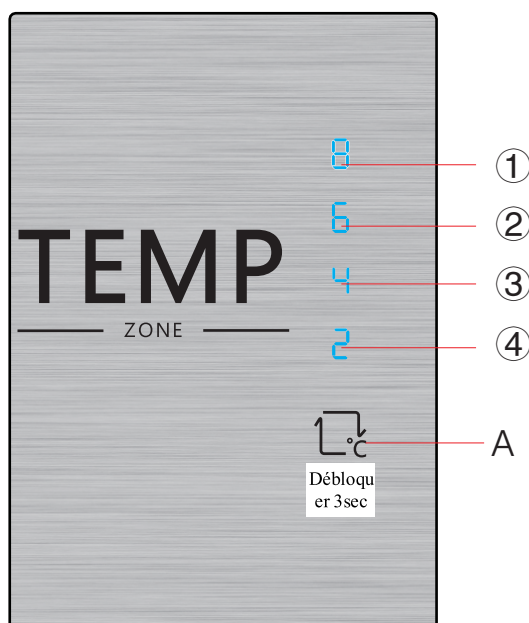
#### **Chambre frigorifique**

- La chambre frigorifique est appropriée pour le stockage d'une variété de fruits, légumes, boissons et autres aliments consommés à court terme.
- Les aliments cuisinés ne doivent pas être placés dans la chambre de réfrigération avant d'avoir été refroidis à la température ambiante.
- Il est recommandé d'emballer les aliments avant de les mettre au réfrigérateur.
- Les clayettes en verre peuvent être ajustées vers le haut ou vers le bas pour un espace de rangement raisonnable et une utilisation facile.

#### **Chambre de congélation**

- La chambre de congélation à basse température peut conserver les aliments frais pendant une longue période et elle est principalement utilisée pour stocker des aliments congelés et faire de la glace.
  - La chambre de congélation est appropriée au stockage de la viande, du poisson, et autres aliments à ne pas consommer à court terme.
  - Les morceaux de viande doivent de préférence être divisés en petits morceaux pour un accès facile. Veuillez noter que les aliments doivent être consommés dans le temps indiqué.
- Remarque: Le stockage de trop d'aliments après le branchement initial peut nuire à la congélation. Les aliments stockés ne doivent pas bloquer la sortie d'air; ou sinon l'effet de congélation sera également affecté.

### 3.2 Fonctions



**!** (L'image ci-dessus est seulement à titre indicatif. La configuration réelle dépendra de l'instruction par le distributeur ou du produit)

#### 1) Touche

A. Bouton de réglage de température du compartiment réfrigérateur

#### 2) Écran d'affichage

① Réglage 1 : 8 °C

② Réglage 2 : 6 °C

③ Réglage 3 : 4 °C

④ Réglage 4 : 2 °C

#### 3) Affichage

Une fois sous tension lors du démarrage, sur l'écran d'affichage fait une recherche pendant 3s puis le réfrigérateur fonctionne selon réglage 3.

Affichage d'un fonctionnement normal

En cas de panne, la LED correspondante clignote.

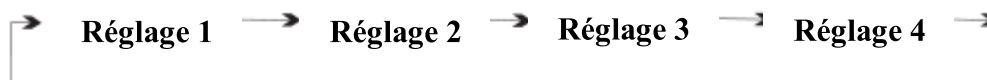
Dans le cas d'aucune défaillance du réglage de la température réelle du réfrigérateur.

Code d'erreur	Description de l'erreur
Réglage de l'indicateur 1	Circuit de capteur de température réfrigérateur
Réglage de l'indicateur 2	Sonde de dégivrage réfrigérateur
Réglage de l'indicateur 3	Sonde de dégivrage de congélateur
Réglage de l'indicateur 4	Sonde de température ambiante

#### 4) Réglage de la température

Chaque fois que le bouton de réglage de température A est pressé une fois, le réglage de la température change une fois.

Lorsque la température de consigne est terminée, le réfrigérateur fonctionnera selon la valeur définie après 15s. Le réglage est :



#### 5) Verrouiller/Déverrouiller

Lorsque le panneau de contrôle de température est verrouillé, il faut presser la touche de réglage pendant 3 secondes pour déverrouiller le panneau, toutes les LED clignotent pendant 2 secondes lorsque le panneau est déverrouillé.

Lorsque le panneau de contrôle de température est en état déverrouillé, s'il n'y a aucune opération sur le panneau de contrôle au bout de 15 secondes, il se verrouillera automatiquement.



## 4. Entretien de l'appareil

### 4.1 Nettoyage général

- Les poussières derrière le réfrigérateur et sur le sol doivent être nettoyées en temps opportun pour améliorer l'effet de refroidissement et les économies d'énergie. L'intérieur du réfrigérateur doit être nettoyé régulièrement pour éviter les odeurs. Des serviettes douces ou une éponge trempée dans l'eau et des détergents neutres non corrosifs sont recommandés pour le nettoyage. Le congélateur doit être nettoyé avec de l'eau propre et un chiffon sec. Ouvrez la porte pour un séchage naturel avant la mise sous tension.

- N'utilisez pas de brosses dures, de billes d'acier, de brosses métalliques, d'abrasifs tels que dentifrices, solvants organiques (alcool, acétone, huile de banane, etc.), d'eau bouillante, d'acide ou d'alcalin pour nettoyer le réfrigérateur, ceux-ci peuvent endommager la surface et l'intérieur du réfrigérateur.
- Ne pas rincer à l'eau pour ne pas affecter les propriétés d'isolation électrique.



**⚠** Veuillez débrancher le réfrigérateur pour la décongélation et le nettoyage.

### 4.2 Décongélation

- Le réfrigérateur est basé sur le principe du refroidissement par air et dispose ainsi d'une fonction de décongélation automatique. La condensation formée en raison du changement de saison ou de la température peut également être retirée manuellement en débranchant l'appareil de l'alimentation électrique, ou en essuyant avec une serviette sèche.

### 4.3 Hors service

- Coupure de courant: En cas de coupure de courant, même en été, les aliments à l'intérieur de l'appareil peuvent être conservés pendant plusieurs heures; Pendant la coupure de courant, les temps d'ouverture de la porte doivent être réduits et aucun produit frais ne doit être ajouté à l'appareil.
- Non-utilisation de longue durée: L'appareil doit être débranché puis nettoyé. Ensuite, les portes restent ouvertes pour éviter les odeurs.
- Déplacement: avant de déplacer le réfrigérateur, retirer tous les aliments de l'intérieur, fixez les cloisons en verre, le porte-légume, les tiroirs de la chambre de congélation, etc. avec du ruban adhésif et serrez les pieds de mise à niveau; fermez les portes et fixez-les avec du ruban adhésif. Pendant le déplacement, l'appareil ne doit pas être posé à l'envers ou à l'horizontale, ni être soumis à des vibrations; l'inclinaison pendant le mouvement ne doit pas dépasser 45°.

**⚠** L'appareil doit fonctionner de façon continue une fois démarré. En général, le fonctionnement de l'appareil ne doit pas être interrompu: sinon la durée de vie pourrait être diminuée.

## 5 Dépannage

5.1 Vous pouvez essayer de résoudre vous-même les problèmes simples suivants.

S'ils ne peuvent pas être résolus, veuillez contacter le service après-vente.

Échec du fonctionnement	du	Vérifier si l'appareil est branché à la tension ou si la fiche est bien en contact ; vérifiez si la tension est trop basse Vérifiez s'il y a une coupure de courant
Odeur		Les aliments odorants doivent être bien emballés. Vérifiez s'il y a de la nourriture pourrie. Nettoyez l'intérieur du réfrigérateur.
Fonctionnement continu du compresseur	du	Le fonctionnement prolongé du réfrigérateur est normal en été lorsque la température ambiante est élevée Il n'est pas recommandé de mettre trop d'aliments dans l'appareil en même temps ; Les aliments doivent être refroidis avant d'être mis dans l'appareil ; Les portes sont ouvertes trop fréquemment
La lumière s'allume pas	ne	Vérifiez si le réfrigérateur est connecté à l'alimentation électrique et si l'éclairage est endommagé. Faites remplacer la lampe par un spécialiste.
Les portes ne peuvent pas être fermées correctement	ne	La porte est coincée par des paquets d'aliments; Trop d'aliments sont stockés ; Le réfrigérateur est incliné
Bruit fort		Vérifiez si le sol est de niveau et si le réfrigérateur est placé de manière stable ; Vérifiez si les accessoires sont placés aux bons endroits
Le joint de la porte ne peut pas être comprimé		Enlever les corps étrangers sur le joint de la porte Chauffer le joint de la porte et ensuite refroidissez-le pour qu'il reprenne sa forme (ou refroidissez-le avec un séchoir électrique ou utilisez une serviette chaude pour chauffer)
Débordement du bac à eau		Il y a trop d'aliments dans le réfrigérateur ou les aliments stockés contiennent trop d'eau, ce qui entraîne une décongélation importante. Les portes ne sont pas fermées correctement, ce qui entraîne une condensation due à l'entrée d'air et une augmentation de l'eau due au dégivrage.
Boîtier chaud		Dissipation thermique du condenseur intégrée via le boîtier, ce qui est normal Lorsque le boîtier devient chaud en raison d'une température ambiante élevée, le stockage d'une trop grande quantité de nourriture ou l'arrêt du compresseur, assurez une bonne ventilation pour faciliter la dissipation thermique
Condensation de surface	de	La condensation sur la surface extérieure et les joints de porte du réfrigérateur sont normaux lorsque l'humidité ambiante est trop élevée. Essayez simplement le condensat avec une serviette propre.
Bruit anormal		Bourdonnement: Le compresseur peut produire des bourdonnements pendant le fonctionnement, et les bourdonnements sont forts particulièrement au démarrage ou à l'arrêt. C'est normal. Grincement: Le réfrigérant circulant à l'intérieur de l'appareil peut produire des craquements, ce qui est normal.