



BMP250710
200 series speed microwave oven
Full glass door in Gaggenau Metallic
Width 24" (60 cm)
Right-hinged
Controls on top

Flush installation
 Single operation and combination of microwave, grill and oven
 Sequential operation of up to 5 modes incl. programming of combined operation and rest time
 TFT touch display
 Electronic temperature control
 Interior volume 36 litres

Programs

Microwave operation with 5 output levels: 1000, 600, 360, 180, 90 W.
 Oven operation with 4 heating methods:
 - Convection at 100°F and from 210°F - 480°F.
 - Broil + Convection from 210°F - 480°F.
 - Broil + circulated air from 210°F - 480°F.
 - Broil with 3 levels of intensity, maximum output 2000 W.
 Heating methods with microwave output levels 600, 360, 180 and 90 W freely combinable.
 15 automatic programs with weight indication, customizable:
 4 defrosting programs
 4 cooking programs
 7 combination programs
 Option to save 50 individual recipes.

Operation

Rotary knob and TFT touch display operation.
 Clear text display in 25 languages.
 Information key with use indicators.
 Side-opening door opens up to 110° angle.

Features

Innowave.
 Fast heating setting.
 4 tray levels.
 Actual temperature display.
 60 W halogen light on the side.

Safety

Thermally insulated door with triple glazing.
 Triple door lock.
 Child lock.
 Safety shut-off.
 Cooled housing with temperature protection.

Cleaning

Hygienic stainless steel interior with glass ceramic base.
 Interior back wall with catalytic coating.

Planning notes

Door hinge not reversible.
 Plan the niche without back wall.
 Necessary lateral gap between appliance door and cabinet front of min. 3/16".
 The door panel front of the appliance extends 13/16" from the cabinet front.
 The outer edge of the door handle extends 2 13/16" from the cabinet front.
 Consider the overhang, incl. the door handle, when planning to open drawers next to the appliance.
 When planning a corner solution, pay attention to the 110° door opening angle.
 Plan a power outlet outside of the cut-out niche.

Rating

Total rating 3.1 kW.
 Plan for a 42" connection cable without plug (hardwire required).

Product Features

Max. Microwave power (W)
1000
Number of Power Levels
5
Turntable
No
Turntable diameter (in)
Heating type
Combi microwave constant, Full width variable broil, Hot Air, Hot air broiling, Microwave
Cavity material
Stainless steel
Door opening
Handle
Clock / Timer
Yes
Max. extraction rate (CFM)
Maximum output recirculating air
Ventilation Power Levels
Type of Filter
Type of lights
Number of lights
Included accessories
1 x combination grid

Consumption and connection features

UPC code
825225931997
Product color
Stainless steel
Alternative colors available
Watts (W)
3100
Current (A)
2*20
Volts (V)
120
Frequency (Hz)
60
Approval certificates
CE, VDE
Power Cord Length
59"
Plug type
no plug
Required cutout size (HxWxD) (in)
17 23/32" x 22 1/16" x 21 21/32"
Overall appliance dimensions (HxWxD) (in)
17 59/64" x 23 15/64" x 22 3/64"
Product packaging dimensions (HxWxD) (in)
22.04 x 27.95 x 27.16
Net weight (lbs)
79
Gross weight (lbs)
91
2019-07-10
Page 1

Color Variants

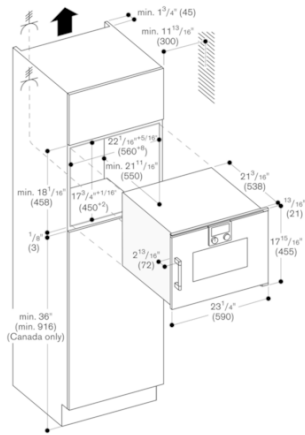
BMP250710
Full glass door in Gaggenau Metallic
Width 24" (60 cm)

Included accessories

1 x combination grid.

BMP250710
200 series speed microwave oven
Full glass door in Gaggenau Metallic
Width 24" (60 cm)
Right-hinged
Controls on top

2019-07-10
 Page 2



Side View BSP, BMP over BOP

