

FRIGIDAIRE GALLERY®

FGID2479S D/F

DISHWASHER

24" BUILT-IN

Smudge-Proof™
Stainless Steel



AVAILABLE COLORS



PRODUCT DIMENSIONS

Height (Adjustable)	33-3/4"– 35-3/4"
Width	24"
Depth (Including Door)	24-1/4"

MORE EASY-TO-USE FEATURES

Automatically Adjusts Cycles

DishSense™ Technology automatically adjusts the cycle time based on the level of clean that your dishes need for an efficient clean.

Smudge-Proof™ Stainless Steel

Resists fingerprints and cleans easily.

Clean Dishes of All Sizes

Loading your dishwasher is no longer a puzzle with our SpaceWise® Adjustable Rack, which adjusts to fit oversized dishes and kitchen tools of all shapes and sizes.

Ready-to-Use Dish Alert

Know when your dishes are clean with LED Floor Beam Indicator, which beams a green light alerting you that your dishes are mealtime-ready.

Stay-In-Place Door

The door stays put at whatever angle you open it for easy loading and unloading.

24-Hour Delay Start

Set your dishwasher in advance to run on your schedule. It can be set to run 1 - 24 hours in advance.

Cleans 14 Place Settings

Clean up to 14 place settings in one cycle.

Efficient Water Usage

Cleans a full load of dishes using 15% less water¹

CERTIFICATIONS

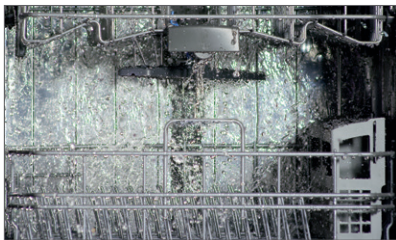
ENERGY STAR®



NSF® International
Certification



SIGNATURE FEATURES



A Complete Clean

Clean dishes in one cycle with OrbitClean® Wash System, which uses four times more water coverage¹ for a complete clean.



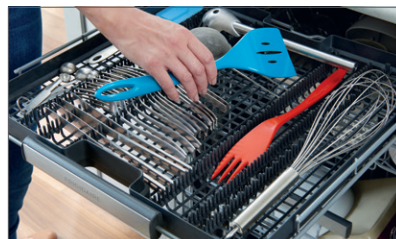
Remarkable Dry

Dishes come out remarkably dry every time with EvenDry™².



30-Minute Clean

Don't wait when dishes can be cleaned with the best 30-Minute Quick Clean³.



Easy Access

Serving utensils and tools are mealtime-ready with our Store-More™ removable third rack, which offers easy loading and unloading access.

¹Than a traditional spray arm.

²When used with rinse aid.

³Tested against competing models with comparable quick cycle times according to ANSI/AHAM DW-1-2010 with only 6 place settings.

⁴Over a year when using normal cycle in our stainless tub compared to our plastic tub.

FGID2479S D/F DISHWASHER

24" BUILT-IN

FRIGIDAIRE
GALLERY

FEATURES

Control Design	Fully-Integrated Express-Select®
Digital Display	Yes
Door Latch / Stay-Put Door Hinge Design	Yes / Yes
Interior Color / Interior Design	Stainless Steel / Tall Tub
Wash System	Direct Feed
Wash Arm	OrbitClean®
Wash Levels / Wash Speeds	5 / 5
DishSense™ Technology	Yes
AquaSurge™ Technology	Yes
Sound Package	SilentDesign™
Filter / Filter Trap	S. Steel / Removable
dB Level	49
Drying System	EvenDry™

CYCLES

Number of Cycles	8
PowerPlus™ (Heavy)	Yes
Normal	Yes
Quick Wash (30-Min.)	Yes
Favorite	Yes
China Crystal	Yes
Rinse Only	Yes
Energy Saver Plus	Yes
Upper Rack Wash Only	Yes
Cycle Indicator Light / Control Lock	No / Yes
Cycle Complete Floor Beam Indicator	LED

OPTIONS

Heat / No Heat Dry	Yes / Yes
Hi-Temp Wash	Yes
NSF® Certified Sanitize Rinse	Yes
Delay Start	1-24 Hour

RACK SYSTEM

Rack Design	Deluxe
Rack Coating	Nylon TufRacks™

Lower Rack -

SpaceWise® Silverware Basket	3-Piece Split
Fold-Down Tines	2 Full Rows
Small Items Cover	2

Upper Rack -

Stemware / Champagne Glass Holders	Yes
Fold-Down Tines	Yes
Cup Shelves / Stemware Grips	2 / 2
Adjustable Rack	Yes

Third-Level Rack -

Single Tray	Yes
-------------	-----

CERTIFICATIONS

ENERGY STAR®	Yes
NSF® International Certification	Yes

SPECIFICATIONS

Water Inlet Location	Left Bottom Front
Water Usage (Gallons)	4.0 - 8.0
Water Pressure (PSI)	20 - 120
Integral Air Gap on Supply	Yes
Leveling Legs	Yes
Power Supply Connection Location	Right Bottom Front
Voltage Rating	120V / 60 Hz / 15A
Connected Load (kW Rating) @ 120 Volts¹	1.44
Amps @ 120 Volts	15.0
Shipping Weight (Approx.)	91 Lbs.

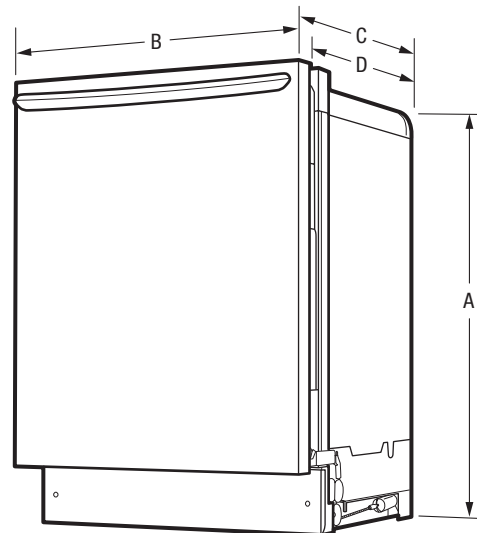
¹For use on adequately wired 120V, dedicated circuit having 2-wire service with a separate ground wire. Appliance must be grounded for safe operation.

PRODUCT DIMENSIONS

A - Height (Adjustable)	33-3/4" - 35-3/4"
B - Width	23-3/4"
C - Depth (Including Door)	24-1/4"
D - Depth (To Tub Flange)	22-1/2"
Depth with Door Open 90°	50-1/4"

CUTOUT DIMENSIONS

Height (Min.)	34"
Height (Max.)	35-3/4"
Width (Min.)	24"
Depth (Min.)	24"

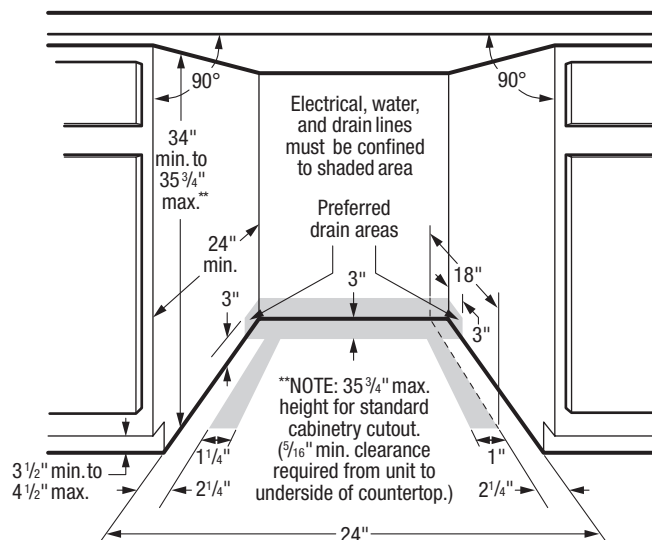
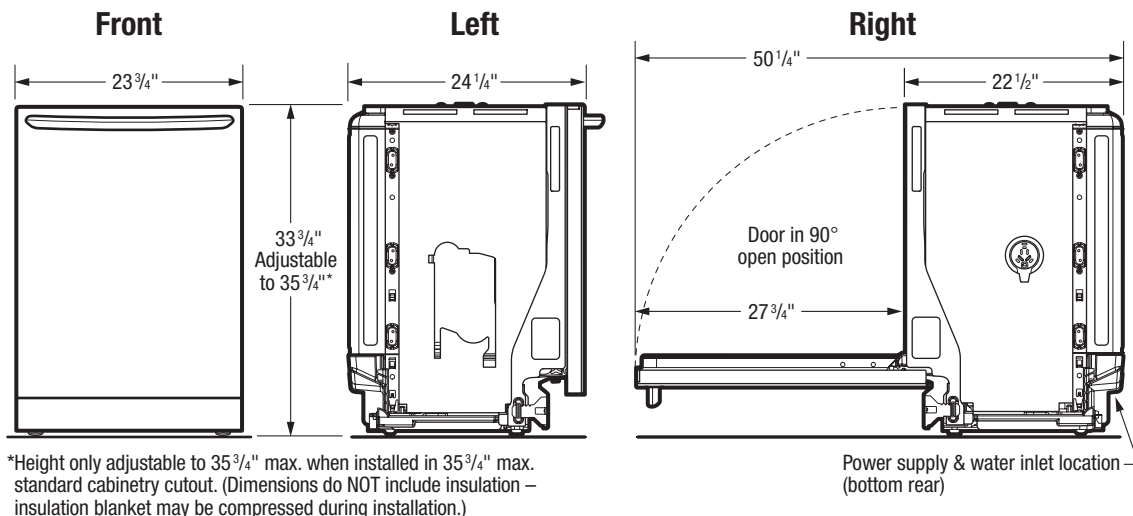


Note: For planning purposes only. Always consult local and national electric, gas and plumbing codes. Refer to Product Installation Guide for detailed installation instructions on the web at frigidaire.com / frigidaire.ca.
Specifications subject to change. Accessories information available on the web at frigidaire.com / frigidaire.ca

FRIGIDAIRE

USA • 10200 David Taylor Drive • Charlotte, NC 28262 • 1-800-FRIGIDAIRE • frigidaire.com
CANADA • 5855 Terry Fox Way • Mississauga, ON L5V 3E4 • 1-800-265-8352 • frigidaire.ca

FGID2479S 05/18
© 2018 Electrolux Home Products, Inc.



INSTALLATION SPECIFICATIONS

- Product Shipping Weight (approx.) – 91 Lbs.
- Voltage Rating – 120V/60 Hz/15 Amps (maximum 20 Amps if connected with disposer)
- Connected Load (kW Rating) @ 120 Volts = 1.44 kW (For use on adequately wired 120V, dedicated circuit having 2-wire service with a separate ground wire. Appliance must be grounded for safe operation.)
- Amps @ 120V = 15 Amps
- Always consult local and national electric & plumbing codes. Meets requirements of ASSE 1006—integral air gap on supply.
- Water Pressure – Hot water line to dishwasher must provide between 20 and 120 pounds per square inch (psi) with at least 120°F hot water temperature.
- Make sure location has correct drain, water and electrical outlets to make connections—MUST be confined to shaded areas.
- Electrical and water supplies should enter cabinet opening on floor, or through back or side walls, as shown in shaded areas.
- Keep back free of drain, water & electrical supply.
- Connections preferably located toward left side of dishwasher. Do not cross drain, water or electrical lines in front of motor, blower or frame.
- If connecting drain hose to sink trap, local code may require installation of Air Gap Kit (not included).
- Leveling legs supplied to adjust height. (Note: Height only adjustable to 35-3/4" max. when installed in 35-3/4" max. standard cabinetry cutout. 5/16" min. clearance required from top of unit to underside of countertop. Dimensions do NOT include insulation – insulation blanket may be compressed during installation.)
- When installing adjacent to wall, cabinet or other obstruction that extends beyond front edge of unit, allow 2" minimum clearance between opened door and obstruction.
- Floor should be flat and free of obstructions with carpet removed to provide motor clearance.
- When installing at end of cabinet line, sides and back must be fully enclosed.
- Do not install unit under a cooktop, damage will occur.
- Recommended to seal cabinets, enclosing all sides of dishwasher, including underside of countertop, with oil-based paint or moisture-proof polyurethane to prevent possible steam/moisture damage.



Note: For planning purposes only. Always consult local and national electric, gas and plumbing codes. Refer to Product Installation Guide for detailed installation instructions on the web at frigidaire.com / frigidaire.ca. Specifications subject to change. Accessories information available on the web at frigidaire.com / frigidaire.ca

FRIGIDAIRE

USA • 10200 David Taylor Drive • Charlotte, NC 28262 • 1-800-FRIGIDAIRE • frigidaire.com
CANADA • 5855 Terry Fox Way • Mississauga, ON L5V 3E4 • 1-800-265-8352 • frigidaire.ca

FGID2479S 05/18
© 2018 Electrolux Home Products, Inc.