



FRIGIDAIRE

Factory Parts Catalog

Product No.	FFEH3054USA
Series	30" FSFC elec
Color	stainless
Market	North America
Owner's Guide	A13080601
Installation Instructions	809127103
Service Data Sheet	808532588

Frigidaire

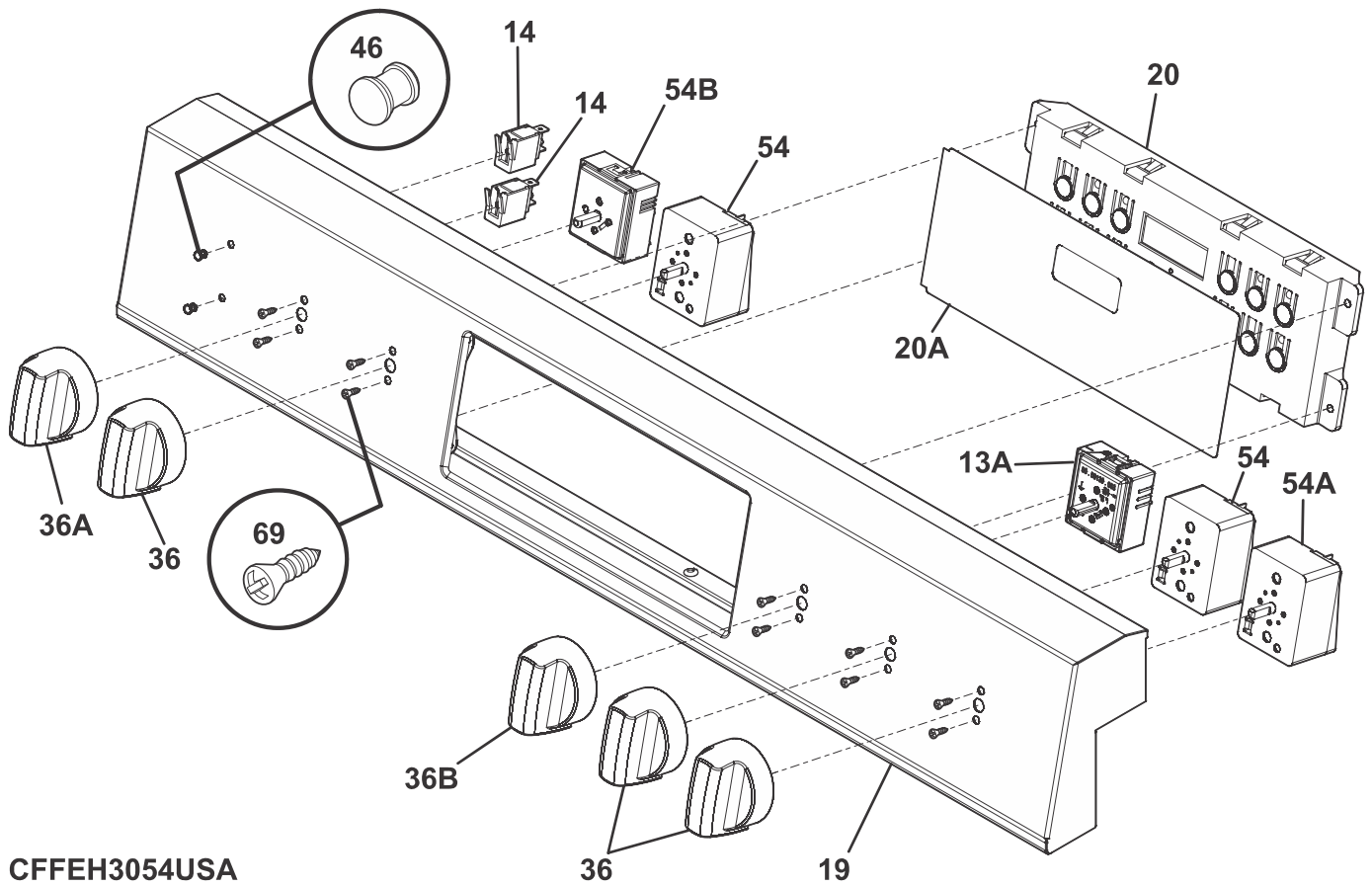
P.O. BOX 8020
CHARLOTTE, NC 28262

Publication No.
5995704839
18/07/06
(EN/SERVICE/ECL)
369

30-INCH FREE- STANDING ELECTRIC RANGE

Model No.
FFEH3054U

BACKGUARD

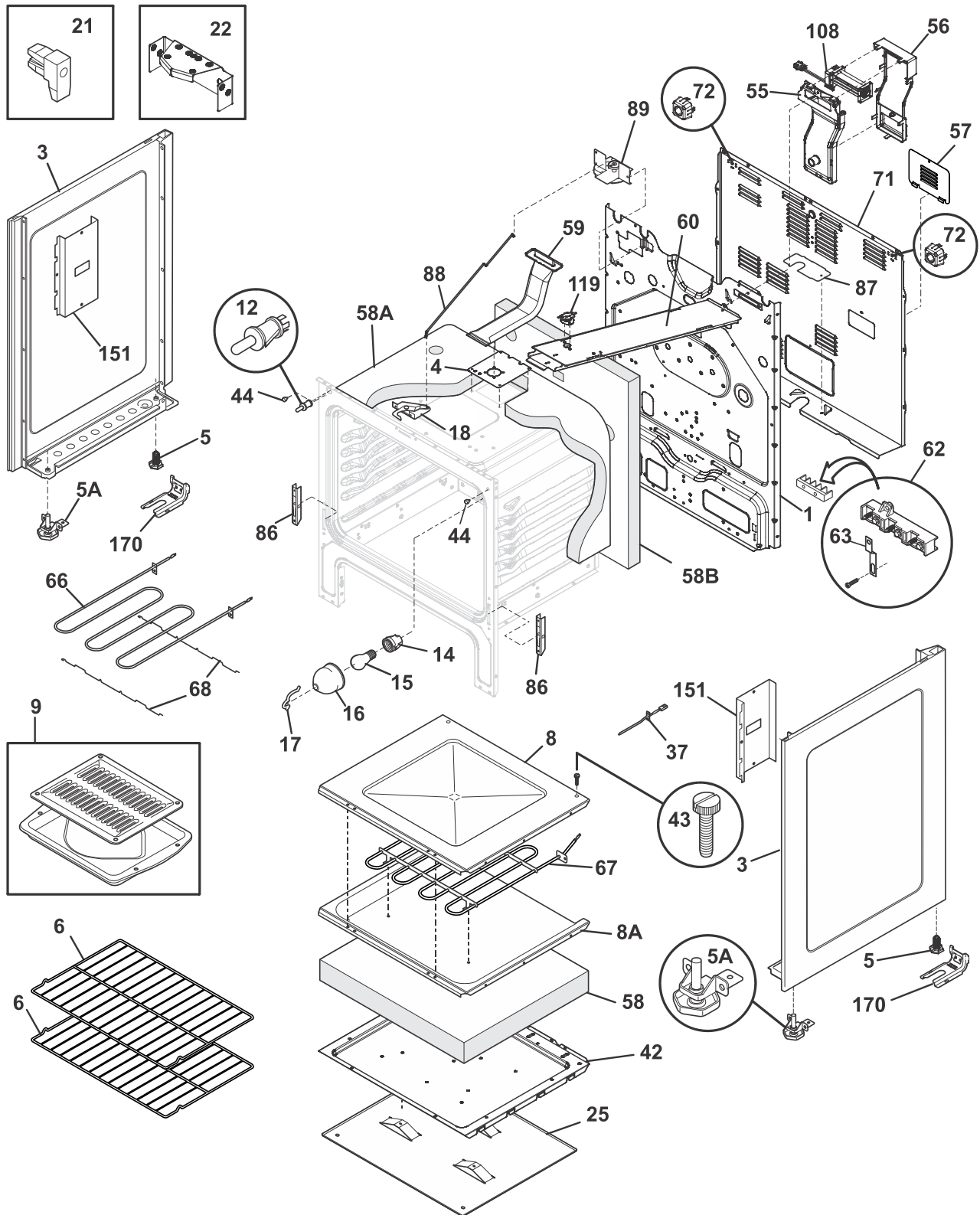


CFFEH3054USA

BACKGUARD

POS. NO	PART NO.	DESCRIPTION
13A#	5304508926	Switch, infinite, warmer
14 #	316022500	Light/Lamp, indicator, black, 125 V
19	5304514178	Control Panel, stainless
20 #	5304514108	Controller, electronic, oven, ES330
20A	316419380	Overlay, EOC, black, ES330
36	5304514116	Knob, infinite switch, stainless, single
36A	5304514117	Knob, infinite switch, stainless, dual
36B	5304514118	Knob, infinite switch, stainless, warm
46	316557300	Lens-light/lamp, indicator, clear
54 #	316436000	Switch, infinite, small element
54A#	316436001	Switch, infinite, large element
54B#	316238202	Switch, infinite radian, dual
69	5303288565	Screw, truss sqdr, 8-32 x 3/16, switch mtg
* #	5304514141	Harness, wiring, backslash
*	316021109	Screw, 8-18 x 0.5, chrome

BODY



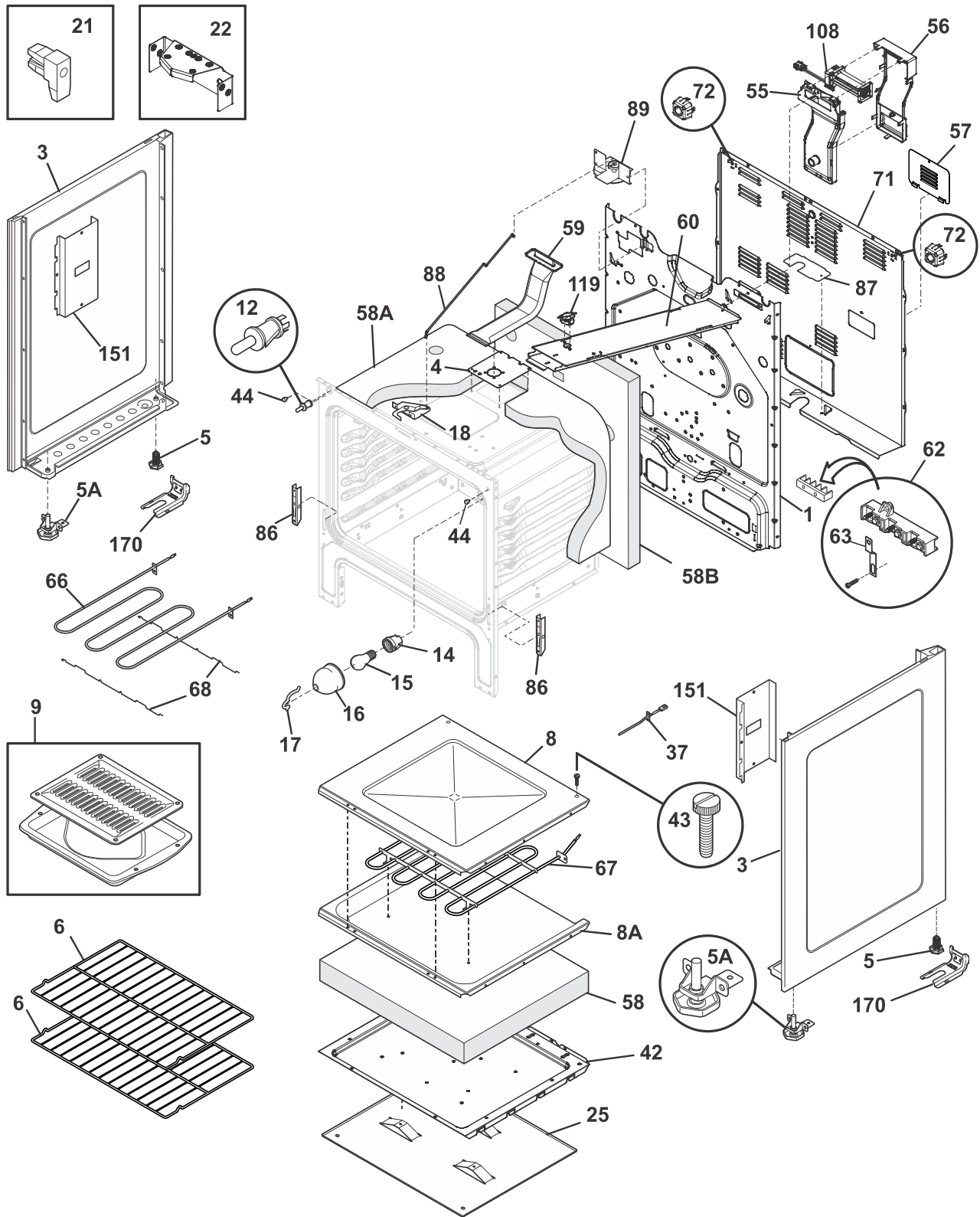
*NOTE: Oven Liner N/A
Ass. du four N/A*

VFFEH3054USA

BODY

POS. NO	PART NO.	DESCRIPTION
1	5304514161	Back, main
3	316400118	Panel, bodyside, black, RH
3	316400119	Panel, bodyside, black, LH
4	5304514136	Plate, oven vent
4*	297174300	Screw, self pierce, #8, 18x.63
5	316272900	Screw, leveling, plastic, rear, (2)
5A	5304509869	Leveling Leg Assy, metal, front, (2), bracket & leg
6	316496201	Rack, oven
8	316400601	Panel, oven bottom
8*	316064600	Support, oven bottom
8A	316411106	Base, bake element
9	5304494997	Broil Pan Kit, pan & insert, slate blue, Optional, accessory
12 #	316445501	Switch, oven light, door frame
14 #	316116400	Receptacle, oven light
15 #	316538901	Lamp, oven light
16	318406100	Lens, oven light, glass
17	316087500	Retainer, lens
18 #	316405800	Latch Assembly, oven door
*	5303285179	Screw, wafer head, 8-32T x 0.500, black, 44*
21	316408000	Clip, bodyside
22	5304514125	Bracket, support, body side, (2)
22*	316279600	Screw, bracket, stiffener, (4)
25	316406200	Shield, heat, lower
37 #	316490003	Probe, oven temp
42	316400701	Shield, wool, lower
43	3131732	Screw, 8-18 x 1.438, oven bottom
44	316517600	Bumper, front, main
55	5304514171	Duct, inlet air, front
56	5304514172	Duct, inlet air, rear
57	316283600	Cover, access
58	316403802	Insulation, oven sump
58A	316403700	Insulation, oven wrapper
58B	316403600	Insulation, oven back
59	5304514160	Tube, oven vent, upper
60	5304514196	Duct Assembly, cooling, toggle lock
62 #	5303935271	Terminal Block Kit
62*	316001003	Screw, ground wire
62*	316205500	Nut, hex flange, 3/8 10-32
62*	316542200	Insulator
63	316542600	Plate, grounding strap
66 #	316203301	Element, broil
67 #	316413800	Element, bake, hidden
*	5303271648	Screw, wafer hd sq dr, 8-18AB x 0.5
68	316429100	Support, element, broil
71	5304514174	Shield, wire, rear
72	5304514177	Spacer, wire shield, (2)
86	316441300	Receptacle, hinge
*	316418901	Screw, trilobe, 10-32 x 5/16", black
87	316081200	Bracket, cable mtg
88	316232702	Rod, auto latch
89 #	316464300	Motor-latch

BODY



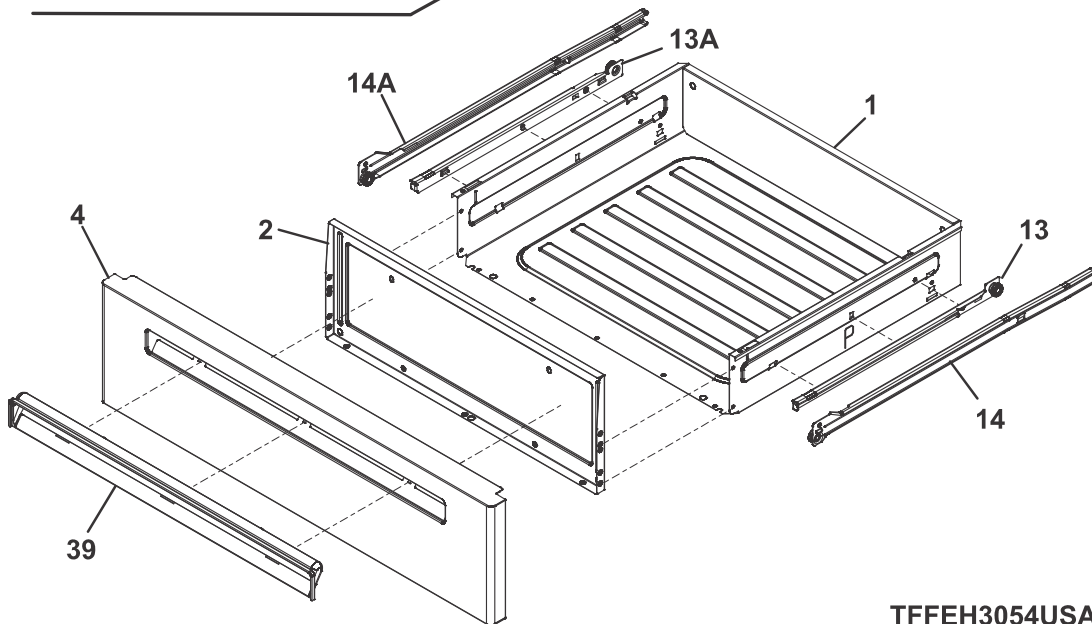
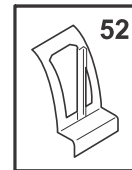
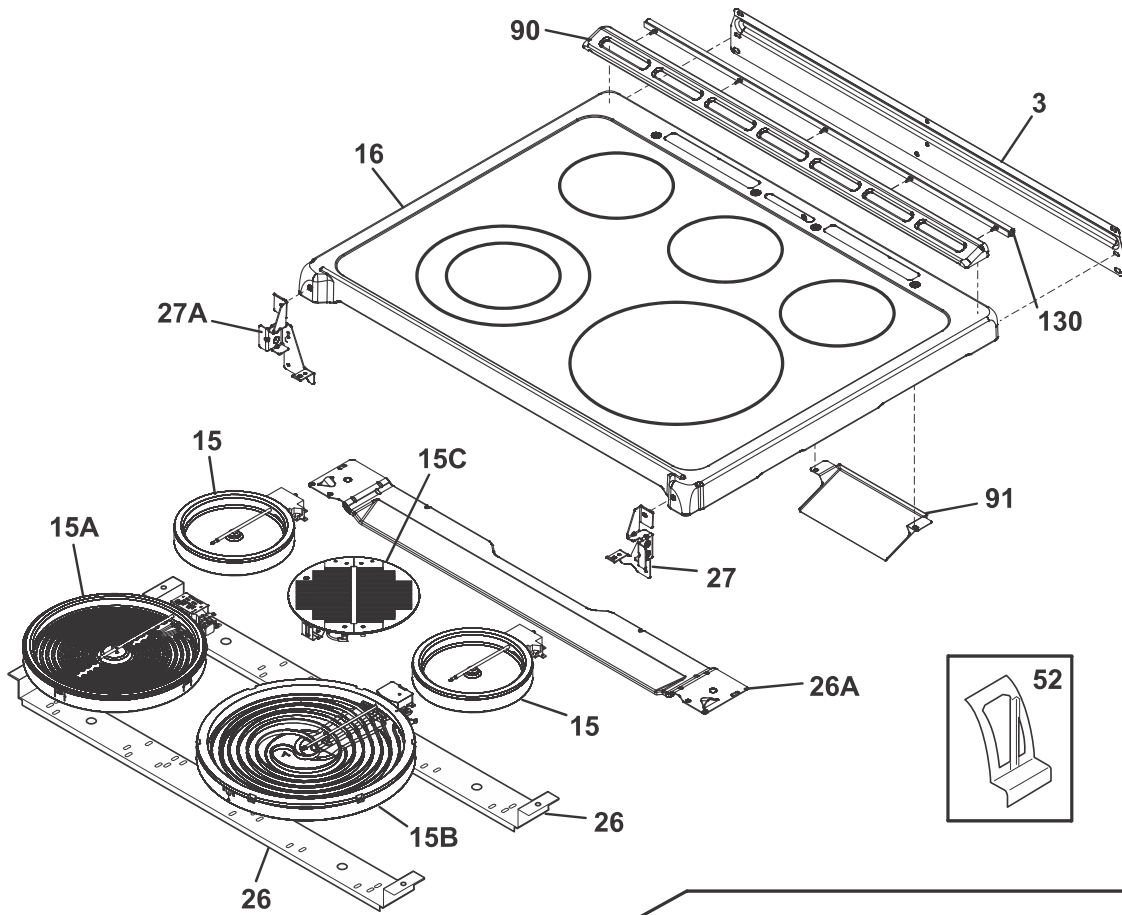
NOTE: Oven Liner N/A
Ass. du four N/A

VFFEH3054USA

BODY

POS. NO	PART NO.	DESCRIPTION
108#	5304514166	Fan Assembly, cooling
119#	318578506	Thermostat, safety, 105C
151	316404601	Shield, bodyside
*	3203010	Fastener, U-type, (2)
170	316112005	Anti Tip Kit, assy, w/template
170*	316107200	Bracket, anti-tip
170*	316116000	Screw, concrete, 1.75", anti-tip brkt
170*	316541700	Template, anti-tip
* #	5304514142	Harness, wiring, main
*	316021105	Screw, hex head cup pt, 8-18 x 0.375, black
*	316021109	Screw, 8-18 x 0.5, chrome
*	316021132	Screw, 8-18 X 11/16, black, (3)
*	316089500	Screw, 10-16 x .486
*	316260800	Screw-shoulder, w/shoulder, #8-18 x 1/2"

TOP/DRAWER

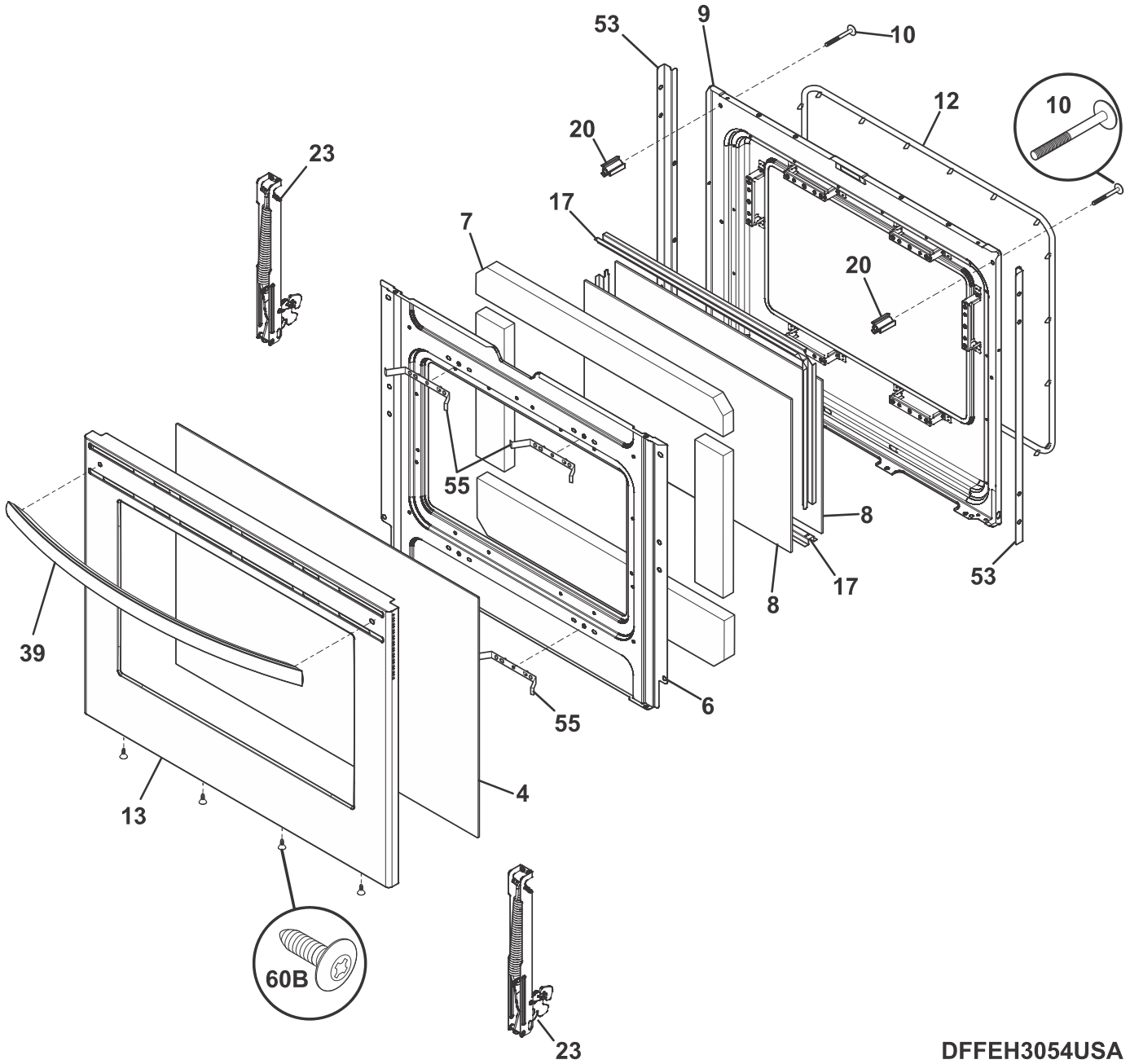


TFFEH3054USA

TOP/DRAWER

POS. NO	PART NO.	DESCRIPTION
1	316408707	Drawer, utility
*	316089500	Screw, 10-16 x .486
2	316403200	Liner, drawer
3	5304514133	Shield, rear wall, upper
4	5304510527	Panel, drawer, stainless
13	5304517905	Glide, drawer, black, RH inner
13A	5304517903	Glide, drawer, black, LH inner
14	5304517904	Glide, drawer, black, RH outer
14A	5304517902	Glide, drawer, black, LH outer
15 #	318178110	Element, surface, 6", 1200, (2), radiant
15A#	316282000	Element, dual, 9"6", surface, 3000W, quick boil
15B#	5304510566	Element, radiant, 12", top, 2700W
15C#	5304509306	Element, surface, warmer
16	5304514197	Smoothtop, assembly, glass/steel, black
26	5304512926	Channel, element support
26A	5304514126	Bracket, support, rear, chassis
27	5304514123	Bracket, mounting, RH, cooktop
27A	5304514124	Bracket, mounting, LH, cooktop
*	5303285179	Screw, wafer head, 8-32T x 0.500, black, 44*
39	5304511879	Handle Insert, drawer
52	316461700	Clip, element mtg
52*	5308014215	Screw, 6-20 x 0.312
90	5304514157	Trim, vent, black, rear
91	5304514181	Deflector, moisture, (2)
130	808931802	Seal, maintop, silicone, rear
* #	5304514143	Harness, wiring, surface
*	316021105	Screw, hex head cup pt, 8-18 x 0.375, black
*	316021109	Screw, 8-18 x 0.5, chrome

DOOR

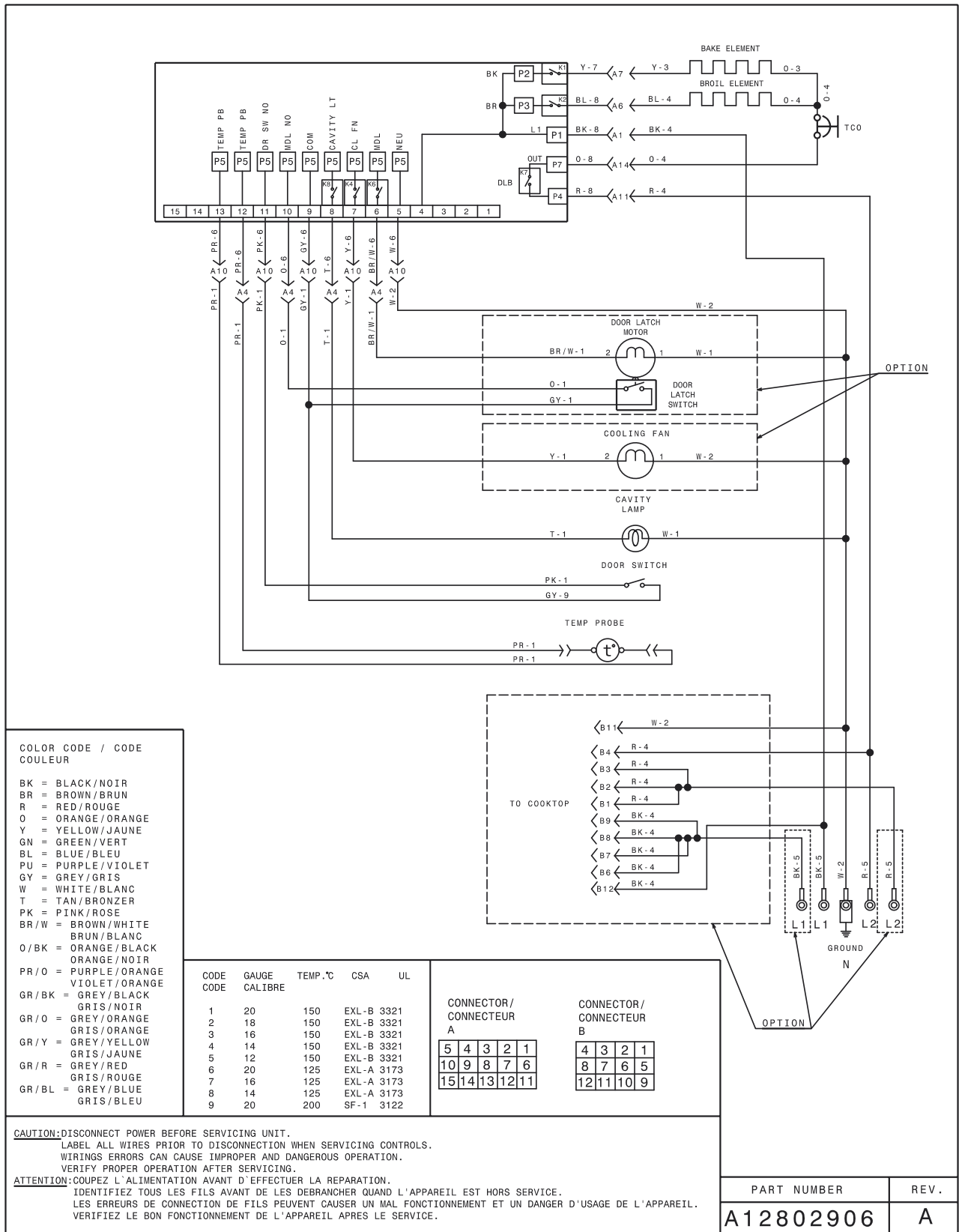


DFFEH3054USA

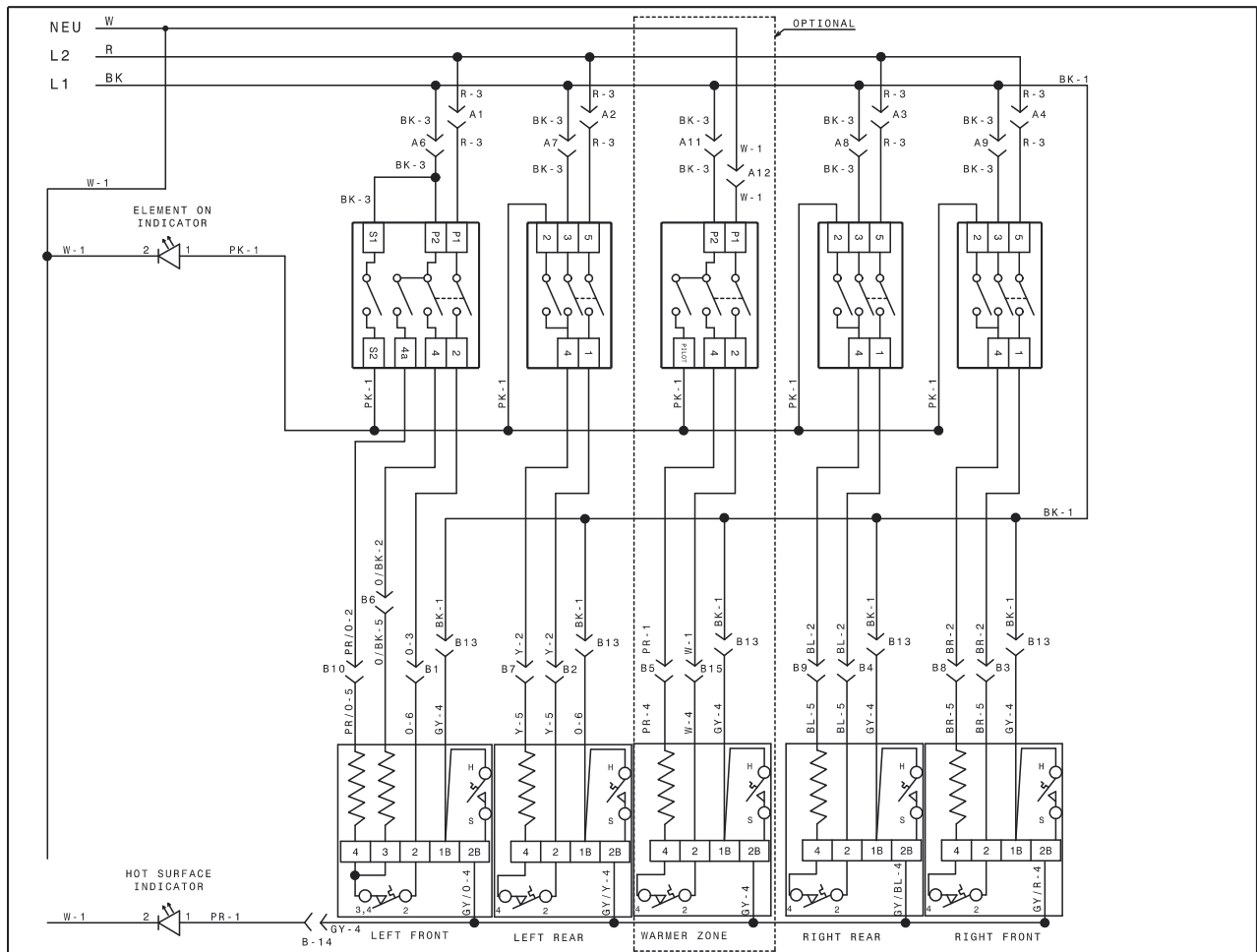
DOOR

POS. NO	PART NO.	DESCRIPTION
4	316452762	Glass, oven door, black, w/foil
6	316402314	Shield, wool
7	316403900	Insulation, oven door
8	316117506	Glass, oven door, inner
9	316423807	Liner-oven door
10	316439505	Screw, handle mtg., #10-24 x 2, (2)
12	5304498835	Seal, oven door
13	316604001	Panel, oven door, stainless
17	5304504811	Spacer, glass
20	316284102	Spacer, door handle, (2)
23	316575917	Hinge, oven door, red
23*	316418900	Screw, sims lp, #8-32 x 5/16", black
39	5304507752	Handle, door, stainless
53	316408101	Shield, filler, door, (2)
*	5303285179	Screw, wafer head, 8-32T x 0.500, black, 44*
55	316408301	Bracket, glass support, (4)
60B	316021109	Screw, 8-18 x 0.5, chrome
*	316483102	Label, anti-tip

WIRING DIAGRAM



WIRING DIAGRAM



COLOR CODE / CODE COULEUR

- BK = BLACK/NOIR
- BR = BROWN/BRUN
- R = RED/ROUGE
- O = ORANGE/ORANGE
- Y = YELLOW/JAUNE
- GN = GREEN/VERT
- BL = BLUE/BLEU
- PU = PURPLE/VIOLET
- GY = GREY/GRIS
- W = WHITE/BLANC
- T = TAN/BRONZER
- PK = PINK/ROSE
- BR/W = BROWN/WHITE
BRUN/BLANC
- O/BK = ORANGE/BLACK
ORANGE/NOIR
- PR/O = PURPLE/ORANGE
VIOLET/ORANGE
- GR/BK = GREY/BLACK
GRIS/NOIR
- GR/O = GREY/ORANGE
GRIS/ORANGE
- GR/Y = GREY/YELLOW
GRIS/JAUNE
- GR/R = GREY/RED
GRIS/ROUGE
- GR/BL = GREY/BLUE
GRIS/BLEU

CONNECTOR/ CONNECTEUR A				CONNECTOR/ CONNECTEUR B				
4	3	2	1	5	4	3	2	1
8	7	6	5	10	9	8	7	6
12	11	10	9	15	14	13	12	11

CODE CODE	GAUGE CALIBRE	TEMP. °C	CSA	UL
1	18	150	EXL-B	3321
2	16	150	EXL-B	3321
3	14	150	EXL-B	3321
4	18	200	SEW-1	3122
5	16	200	SEW-1	3122
6	14	200	SEW-2	3071
7	18	200	SEW-2	3071

CAUTION: DISCONNECT POWER BEFORE SERVICING UNIT.
 LABEL ALL WIRES PRIOR TO DISCONNECTION WHEN SERVICING CONTROLS.
 WIRING ERRORS CAN CAUSE IMPROPER AND DANGEROUS OPERATION.
 VERIFY PROPER OPERATION AFTER SERVICING.

ATTENTION: COUPEZ L'ALIMENTATION AVANT D'EFFECTUER LA REPARATION.
 IDENTIFIEZ TOUS LES FILS AVANT DE LES DEBRANCHER QUAND L'APPAREIL EST HORS SERVICE.
 LES ERREURS DE CONNECTION DE FILS PEUVENT CAUSER UN MAL FONCTIONNEMENT ET UN DANGER D'USAGE DE L'APPAREIL.
 VERIFIEZ LE BON FONCTIONNEMENT DE L'APPAREIL APRES LE SERVICE.

PART NUMBER	REV.
A12802901	A