

Use & Care MANUAL



1 & 3 SERIES

Built-In Dishwashers

VDW302 / VDW302WS
RVDW103 / RVDW103WS
FDW103 / FDW302
FDW103WS / FDW302WS
CFDW103 / CFDW302

Congratulations

Your dishwasher is designed to offer years of reliable service. This Use & Care Guide will provide you with the information you need to become familiar with your dishwasher's operation and care.

Your complete satisfaction is our ultimate goal. If you have any questions or comments about this product, please contact the dealer from whom you purchased it, or contact our Consumer Support Center at 1-888-845-4641.

For more information about the complete and growing selection of products, visit us online in the US at www.vikingrange.com or in Canada at www.brigade.ca

Table of Contents

Getting Started

Warnings & Safety Instructions _____	3
Features _____	5

Operation

Loading the Dishwasher _____	6
Rack Adjustments _____	7
Proper and Improper Loading _____	9
Operating Instructions _____	11
Program Table _____	12
Function Buttons _____	14
Detergent and Rinse Agent Dispenser _____	16

Product Care

Care and Maintenance _____	20
Cleaning the Filters _____	20
Cleaning the Spray Arms _____	21
Troubleshooting _____	22
Service Information _____	26
Warranty _____	27

Warnings & Safety Instructions

Please read this user manual and particularly the safety instructions completely and carefully. They will save you time and effort and help to ensure optimum dishwasher performance. Be sure to observe all listed warnings and cautions. Look particularly for the icons with exclamation marks inside. The information icon will also provide important references.

Warning and Important Safety Instructions appearing in this manual are not meant to cover all possible conditions and situations that may occur. Common sense, caution, and care must be exercised when installing, maintaining, or operating the appliance. **ALWAYS** contact the manufacturer about problems or conditions you do not understand.

Recognize Safety Symbols, Words, Labels

⚠ DANGER
Hazards or unsafe practices which WILL result in death or severe personal injury.
⚠ WARNING
Hazards or unsafe practices which COULD result in death or severe personal injury.
⚠ CAUTION
Hazards or unsafe practices which COULD result in minor personal injury.
All safety messages will identify the hazard, tell you how to reduce the chance of injury, and tell you what can happen if the instructions are not followed.

Read and follow all instructions before using this appliance to prevent the potential risk of fire, electric shock, personal injury, or damage to the appliance as a result of improper usage of the appliance. Use appliance only for its intended purpose as described in this manual.

To ensure proper and safe operation: Appliance must be properly installed and grounded by a qualified technician. **DO NOT** attempt to adjust, repair, service, or replace any part of your appliance unless it is specifically recommended in this manual. All other servicing should be referred to a qualified servicer.

KEEP THESE INSTRUCTIONS FOR FUTURE REFERENCE

⚠ WARNING

State of California Proposition 65

- This product contains one or more chemicals known to the State of California to cause cancer.
- This product contains one or more chemicals known to the State of California to cause birth defects or other reproductive harm.

⚠ WARNING

Danger of Suffocation!

Ensure that any plastic wrappings, bags, small pieces, etc., are disposed of safely and kept out of the reach of children.

⚠ WARNING

Improper connection of the equipment-grounding conductor can result in a risk of electric shock. Check with a qualified electrician or service representative if you are in doubt whether the appliance is properly grounded. Do not modify the plug provided with the appliance; if it will not fit the outlet, have a proper outlet installed by a qualified electrician.

⚠ WARNING

If your dishwasher is equipped with interior lighting, replacement should only be done by an authorized service agent.

Warnings & Safety

WARNING

When using the dishwasher, follow basic precautions, including the following.

Read all instructions before using the dishwasher! Save these operating instructions and pass them on to any future user.

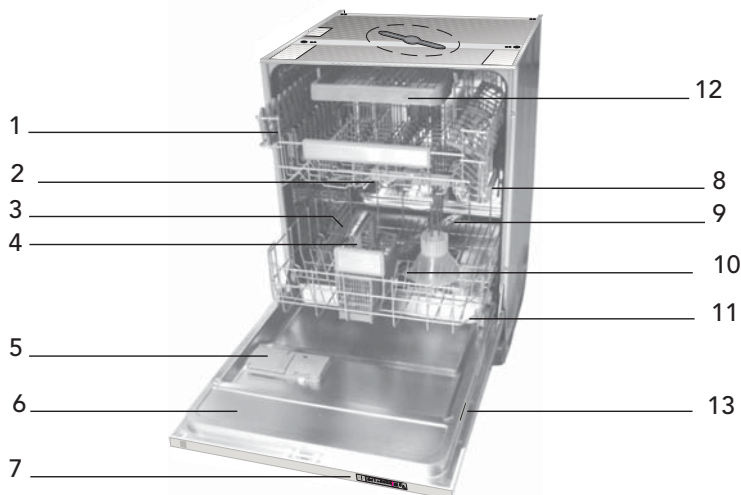
- Use the dishwasher only for its intended purpose as described in this user manual. This appliance is intended for normal household use only.
- The manufacturer disclaims responsibility for damage or injury caused by improper use of this appliance.
- The information in this user manual must be followed to minimize the risk of fire or explosion and to prevent property damage, personal injury, or loss of life.
- **DO NOT** operate your dishwasher unless all the enclosure panels are properly in place.
- **DO NOT** tamper with the controls.
- **DO NOT** abuse, sit on, stand in or on the door or dish rack of the dishwasher.
- The cup racks are designed to support cups, glasses, and kitchen utensils. When the cup racks are in the dishwasher, do not lean on or use the cup racks to support your body weight.
- To reduce the risk of injury, **DO NOT** allow children to play in, on, or near the dishwasher.
- Use only detergents or rinse agents recommended for use in a household dishwasher and keep them in a dry place out of the reach of children. Check that the detergent dispenser is empty after the completion of each wash program.
- Dishwasher detergents are alkaline. They can be dangerous if inhaled or swallowed. Avoid contact with skin and eyes and keep children and people in poor health away from the dishwasher when the door is opened. Consult a doctor immediately if detergent has been swallowed or inhaled.
- **DO NOT** drink water from the dishwasher! Harmful residues could be present.
- Under certain conditions, hydrogen gas may be produced in a hot water heater system that has not been used for two weeks or more. **HYDROGEN GAS IS EXPLOSIVE.** If the hot water system has not been used for such a period, before using the dishwasher turn on all hot water taps and let the water flow from each for several minutes. This will release any accumulated hydrogen gas. As gas is flammable, do not smoke or use an open flame during this time.
- **DO NOT** store or use flammable liquids or vapors in the area of the dishwasher.
- When loading items to be washed, position sharp items so that they are not likely to damage the door seal and load sharp knives with the handles up to reduce the risk of cut-type injuries.
- **DO NOT** wash plastic items unless they are marked “dishwasher safe” or the equivalent. For plastic items not so marked, check the manufacturer’s recommendations.
- If a malfunction occurs, switch off the appliance and turn off the water supply to the dishwasher.
- Before cleaning or carrying out maintenance, switch off the appliance, disconnect the power plug, and turn off the water supply.
- Repairs and technical modifications must be carried out exclusively by a qualified technician.
- If the dishwasher is not in use for an extended period of time (i.e. vacation home), we recommend you check that the baskets are empty, leave the inside of the dishwasher clean, leave the door cracked open to allow air to circulate, and turn off both the power and water supply to the dishwasher.
- This appliance must be grounded. In the event of a malfunction or breakdown, grounding will reduce the risk of electric shock by providing a path of least resistance for electric current. This appliance is equipped with a cord having an equipment-grounding conductor and a grounding plug. The plug must be plugged into an appropriate outlet that is installed and grounded in accordance with all local codes and ordinances.
- This appliance must be connected to a grounded metal, permanent wiring system, or an equipment-grounding conductor must be run with the circuit conductors and connected to the equipment-grounding terminal or lead on the appliance.
- The dishwasher installation must be performed in accordance with the installation guide. If you did not receive an installation guide, order it by calling 1-888-845-4641 or you may also download it from our website in the US (www.vikingrange.com) or in Canada (www.brigade.ca).
- Installation, maintenance, and repair should be performed by a qualified installer. Work by unqualified persons could be dangerous and may void the warranty.
- **DO NOT** operate the dishwasher if damaged, malfunctioning, partially disassembled, or if it has missing or broken parts.
- Before installation or service, disconnect the power supply to the work area by unplugging the unit, “tripping” the circuit breaker, or removing the fuse.

Warnings & Safety

- Only connect the dishwasher to the power supply when all installation and plumbing work is complete.
- **DO NOT** install or store the dishwasher where it can be exposed to below freezing temperatures or exposed to weather.
- Dishwasher must be secured to adjacent cabinetry using the brackets provided. Failure to do this may cause damage to property or bodily injury.
- Connect to a properly rated, protected and sized power supply circuit to avoid electrical overload. The dishwasher is designed for an electrical supply of 120V (volts), 60Hz (hertz), AC, connected to a dishwasher-dedicated, properly grounded electrical circuit with a fuse or breakers rated for 15 amperes. Electrical supply conductors shall be a minimum of #16 AWG copper wire rated at 167°F (75°C) or higher. These requirements must be met to prevent injury and machine damage. Consult a qualified electrician if in doubt.
- **DO NOT** use any extension cord or portable outlet device to connect the dishwasher to a power supply.
- Remove the dishwasher door when removing an old dishwasher from service or discarding it. Ensure that the dishwasher presents no danger to children while being stored for disposal.
- Old appliances may contain materials that can be recycled. Please contact your local recycling authority about the possibility of recycling these materials.

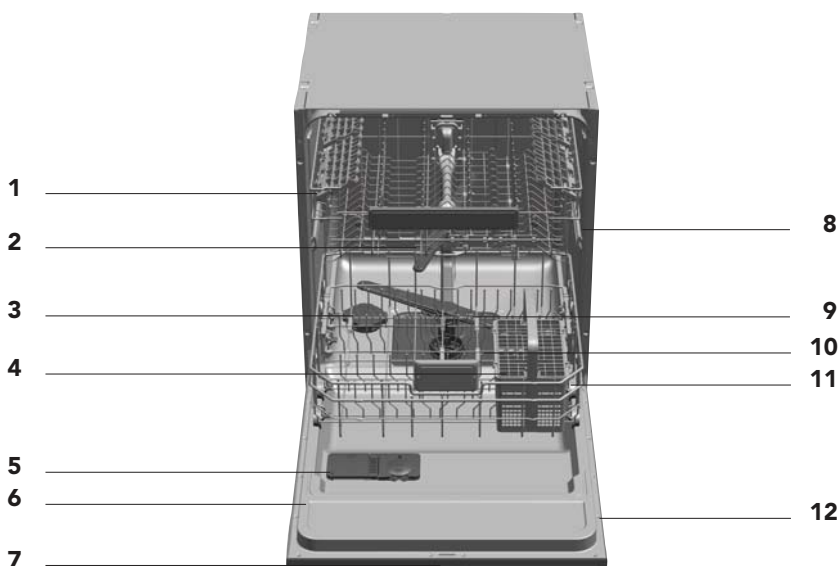
Features

3 Series



1. Upper rack
2. Upper spray arm
3. Salt container (select models)
4. Cutlery basket
5. Detergent dispenser
6. Door
7. Control panel
8. Guiding track for the upper rack
9. Lower spray arm
10. Filters
11. Lower rack
12. Removable third rack
13. Model and Serial Tag

1 Series

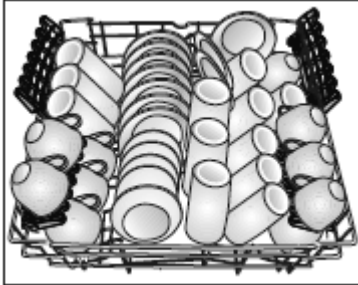


1. Upper rack
2. Upper spray arm
3. Salt container (select models)
4. Cutlery basket
5. Detergent dispenser
6. Door
7. Control panel
8. Guiding track for the upper rack
9. Lower spray arm
10. Filters
11. Lower rack
12. Model and Serial Tag

Loading the Dishwasher

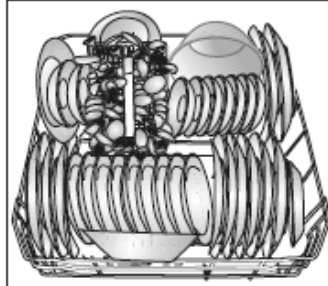
- Pull the handle to open the door. If the door is opened during operation, the dishwasher will stop running. Once the door is closed, the program will continue.
- Remove coarse food leftovers from tableware.
- Now you can load the dishwasher.

Upper Rack



Top rack load pattern for 12 place setting according to the AHAM DW-1 Standards

Lower Rack



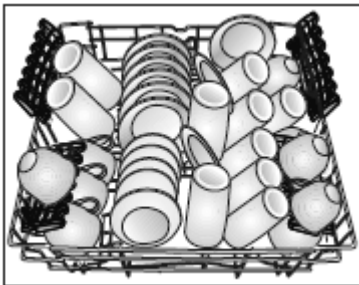
Bottom rack load pattern for 12 place setting according to the AHAM DW-1 Standards

⚠ WARNING

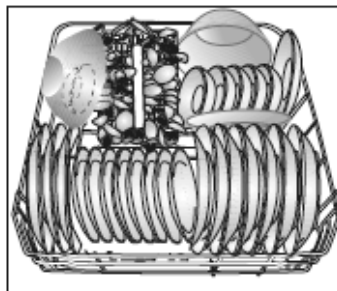
- Large knives and other utensils with sharp tips and edges must be placed horizontally into the upper rack due to risk of injury. Other smaller knives and sharp utensils should be placed with sharp side down in the cutlery basket.
- Use extreme caution when removing knives and other sharp utensils from the dishwasher. These items may have shifted position during the wash program, and may be wet or slippery.
- The cup racks are designed to support cups, glasses, and kitchen utensils. When the cup racks are in the dishwasher, do not lean on or use the cup racks to support your body weight.

- Your dishwasher holds a maximum of 12 place settings.
- Place all containers such as cups, glasses, and pots into the dishwasher with the opening facing downwards (so that no water can collect).
- Small and light items can go into the upper rack.
- Long and narrow items are placed in the middle of the racks.
- Place all large and very dirty items in the lower rack.
- Dishes and cutlery should not be placed above each other.
- Glasses should not touch each other.
- The movement of the spray arms must not be hindered.
- **DO NOT** overload your dishwasher and pay attention to manufacturer instructions regarding dishes which are appropriate for use in a dishwasher. Only with suitable dishwasher safe dishes will you obtain optimal washing results with a sensible use of energy.

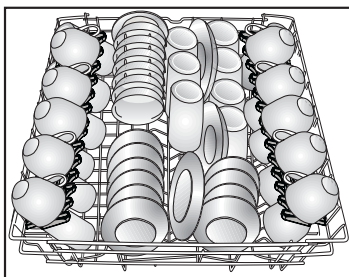
Additional Loading Patterns



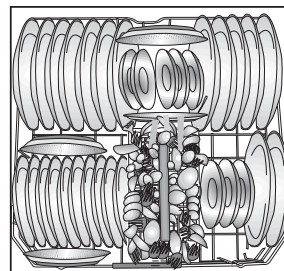
Top rack load pattern for 10 place setting



Bottom rack load pattern for 10 place setting



Top rack load pattern for 14 place international setting

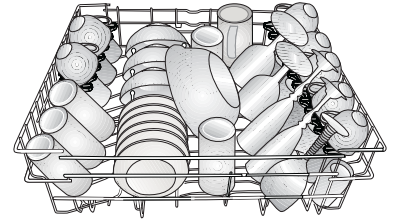


Bottom rack load pattern for 14 place international setting

Rack Adjustments

Upper Rack

Load the upper rack with dessert plates, cups, glasses, etc.

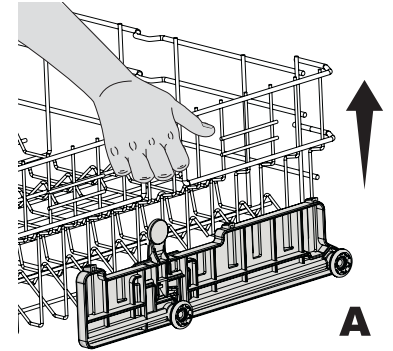


Variable Height Setting

The upper rack is equipped with a lifting mechanism which enables you to change the height of the rack even if it is fully loaded, and without having to remove it from the dishwasher.

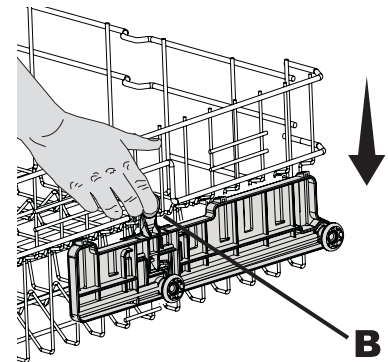
Lift Upper Rack

- To lift the upper rack to a higher position, hold it on one side and carefully pull it upwards **A**.
- To lift the opposite side of the rack, hold it and pull it upwards in the same manner.



To Lower Upper Rack

- To lower the upper rack, hold and press in the rack lever on one side and carefully lower the rack without releasing the lever **B**.
- Repeat the procedure with the lever on the opposite side of the rack



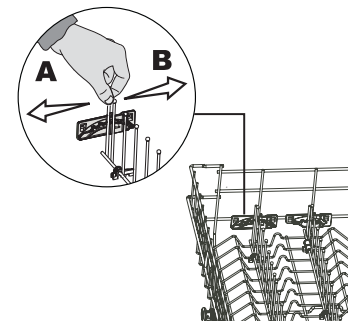
⚠ NOTICE

Made sure both levers catch in the same height position

Folding Tines

There are "folding tines" in the upper rack to allow you more space to accommodate glasses or cups.

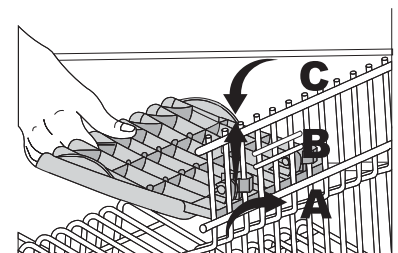
- Simply pull in the first front folding tine, move it to left **A** and right **B** to place in another position. The tines will also lay flat.



Adjustable Shelves

Depending on the size of the glasses and cups, the shelf height setting may be adjusted.

- Fold the shelf upwards **A**.
- Positioning at the desired height **B**.
- Fold the shelf again downwards **C**.



Rack Adjustments

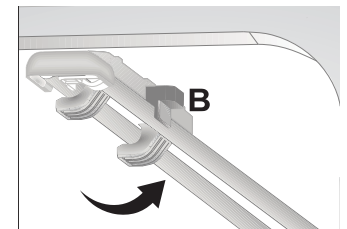
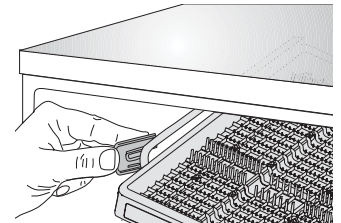
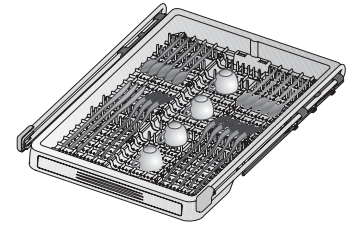
Removable Third Rack

The removable third rack is designed for small dishes, or long dishes that cannot fit into the cutlery basket.

Thanks to the easy take-out feature, it allows removing the dishes from the machine together with the rack after washing operation. Since it can fit into all standard size drawers, there is no need to remove the dishes from the basket and place them separately into the kitchen drawers or shelves.

If you don't want to use the removable third rack, pull it back to yourself to remove it from the machine, rotate the rail lids A towards outside and pull them towards yourself to take them out. After taking out the rack by lifting it up, remove the carrier part from the rails by pulling it towards yourself. Replace the rail lids and push them back to seat them into their places. Turn the rails inside the machine outwards B to seat them properly in their places.

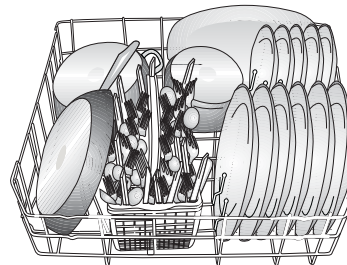
In order to put the removable third basket back into its place, repeat the same process in reverse order.



Lower Rack

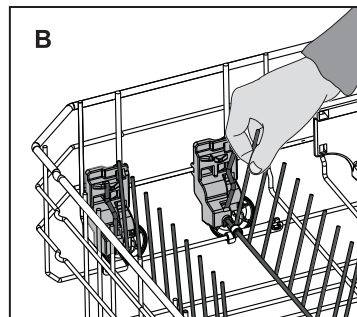
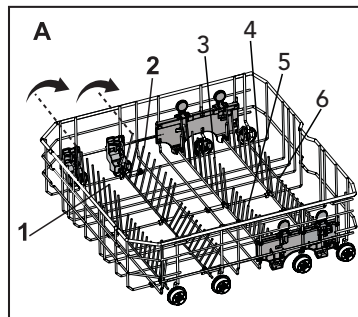
Use the lower rack for plates, bowls, pots, etc.

- Fold the shelf upwards **A**.
- Positioning at the desired height **B**.
- Fold the shelf again downwards **C**.



Adjustable Lower Rack Tines

The six piece foldable tines (A) located in the lower rack of the machine are designed for an easier placement of large pieces such as pans, bowls, etc. You can create larger spaces by folding each tine individually or all of them at once. To bring the adjustable tines into horizontal position, grab the tines from mid position and push them in the directions of arrows (B). To bring the tines back to vertical position, just lift them up. Adjustable tines will click into the latch again.



⚠ NOTICE

Bringing the tines to the horizontal position by holding them from the tips may cause them to bend. Therefore, adjust the tines by holding them by their stems and pushing in the direction of arrow.

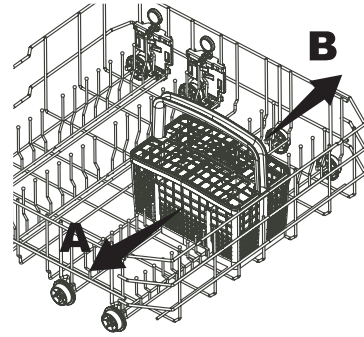
⚠ NOTICE

When finished, test to ensure that the spray arm can still move freely.

Proper and Improper Loading

Sliding Cutlery Basket

Designed to allow free placement of the dishes according to their size; the Sliding Cutlery Basket can slide over the tines to the left **A** and right **B** side.

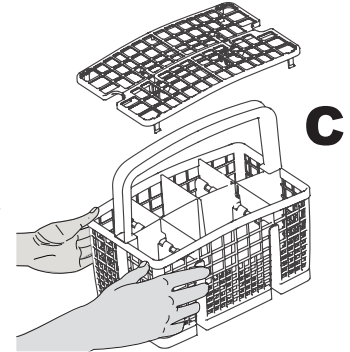


Use the basket inset **C** for your cutlery so that all items in the basket are surrounded by a sufficient water flow.

For larger items (e.g. wire whisks) the basket inset may be removed **C**. Simply raise.

To make loading easier, the cutlery basket can be removed. Simply take out the basket upward.

Place long items such as ladles, cooking spoons, etc., on the shelf in the upper rack.

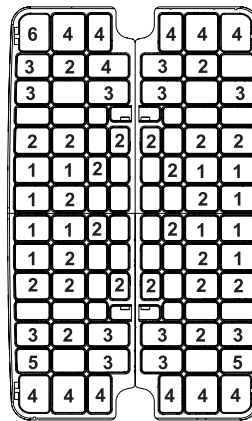


⚠ NOTICE

When finished, test to ensure that the spray arm can still move freely.



- 1: Salad Fork
- 2: Teaspoon
- 3: Dinner Fork
- 4: Knife – Solid Handle
- 5: Serving Spoon
- 6: Serving Fork



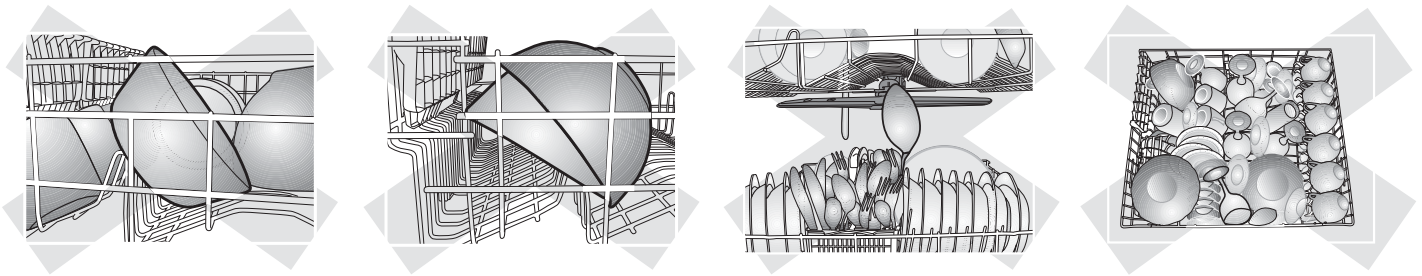
Sliding cutlery basket load pattern for 12 place settings according to the AHAM DW-1 Standards

⚠ NOTICE

- Place all large and very dirty items in the lower rack.
- Place all containers such as cups, glasses, and pots into the dishwasher with the opening facing downwards (so that no water can collect).
- The movement of the spray arms must not be hindered.
- Do not overload your dishwasher. Dishes and cutlery should not be placed above each other. Glasses should not touch.
- Only with suitable dishwasher safe dishes will you obtain optimal washing results with a sensible use of energy.

Proper and Improper Loading

Improper Loading



⚠ NOTICE

What Should Not be Washed in Your Dishwasher

- Rust-sensitive steel parts like iron and cast iron that can rust and stain other utensils and damage the interior stainless steel liner of the dishwasher and void the warranty. **DO NOT** wash copper, brass, pewter, bronze, or tin.
- Cutlery with wooden or horn handles and cutlery with mother-of-pearl or porcelain handles will deteriorate over time if put in the dishwasher.
- Plastics may lose their shape or color with hot water; please follow the instructions of plastic manufacturers. Be sure that plastic items are marked "dishwasher safe."
- Glued dishes or cutlery are not suitable for machine washing since certain adhesives may get soft or dissolve with hot water.
- Aluminum may fade over time. Minerals in water and detergent may cause the aluminum to darken or spot.
- Sterling silver articles should not be washed in the dishwasher because they tend to discolor and become dull by dishwasher detergent.
- Silverware and stainless steel items should not be in contact with each other. Mixing these items can cause staining. Remove and hand-dry these items immediately when the program ends.
- Decorated glasses, porcelain, fine china, and china with gold rims are sensitive to machine washing. They may lose their patterns and colors over time.
- Crystal and very fine glassware may become opaque (etch), losing their shine over time. You may prefer to wash them by hand.
- **DO NOT** wash sponges or dish cloths in dishwasher.
- **DO NOT** wash art and craft articles in dishwasher.
- Disposable plastics and disposable aluminum cannot withstand high temperatures; **DO NOT** wash them in the dishwasher.

⚠ CAUTION

- If in doubt, wash by hand or follow the instructions from the manufacturer of utensils, dishes, glasses, or pots and pans.
- Do not wash items soiled with cigarette ash, candle wax, varnish, paints, or chemicals since they can damage your dishwasher.

⚠ CAUTION

We recommend when buying new dishware, try to choose ones that are suitable for machine washing (marked dishwasher safe).

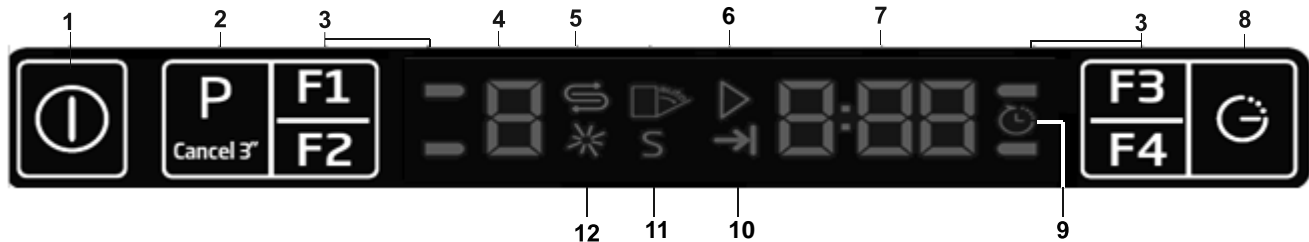
Caring for your Tableware

The combination of high temperatures and dishwasher detergent may cause damage to some items if they are washed in the dishwasher. Remember, if there is any doubt about any aspect concerning items to be washed in the dishwasher, follow the instructions from the manufacturer of the items, or wash the items by hand.

Operating the Dishwasher

⚠ NOTICE

If you do not perform any operation after seitching on the machine, it will be automatically switched off within 5 seconds.



- | | |
|---|--|
| 1. On/Off Button | 5. Salt Indicator (depending on model) |
| 2. Program Selection /Program Cancel Button | 6. Start/Cancel Indicator |
| 3. Function Buttons & Indicators | 7. Time Delay / Program Time Indicator |
| F1 Half Load | 8. Time Delay Button |
| F2 Sanitize | 9. Time Delay Indicator |
| F3 HighGloss | 10. End of Program Indicator |
| F4 Intense Wash | 11. Sanitized Indicator |
| 4. Program Indicator | 12. Rinse Aid Indicator |

- Open the door and load the dishwasher.
- Check that both upper and lower spray arms move freely.
- Pour correct amount of detergent into the detergent dispenser and close the lid.
- Push in the On/Off button 1 and check that the display lights come on.
- Check the rinse agent level indicator 12. If necessary, refill the rinse agent.
- Check the salt level indicator 5. If necessary, refill salt (select models).
- Use the Program Selection Button 2 to choose your washing program.
 - When there are few dishes, additionally use the Half Load function (F1).
 - Select other desired functions.
- Close the door and the program will start.
- When the wash program has ended, an electronic beep will sound and will continue every 10 seconds. After two minutes of elapsed time, the sound will stop. The beep can also be stopped by opening the door or by pressing the On/Off button 1.
- Press the On/Off button 1 and open the door after the program is completed. The indicator lights will go off.
- Allow your dishes to cool for 15 minutes, with the door open.
- Unload the dishes. Begin with the lower rack.

Floor Lighting Indicator

Your dishwasher will light the floor during the wash operation. The light will turn off automatically at the end of the washing operation. **NOTE:** When the washing program begins, the light indicator feature activates itself automatically and will automatically turn off at the end of the cycle. This feature is an option that cannot be turned off by the consumer.

⚠ CAUTION

Hot steam can escape! Danger of serious burns or other injury.

⚠ CAUTION

Avoid opening the door during the wash cycle. This interrupts the washing process, and hot steam will escape. Hot steam can cause burns and other serious injuries. When the door is closed, the program will continue.

Operating the Dishwasher

3 Series

Program number		0	1	2	3	4	5	6	7	8
Program name		TubClean	Pots & Pans+	Pots & Pans	Auto	CombiClean	Regular Wash*	China/Crystal	Quick Wash	Rinse & Hold
	Wash Temperatures	72 (°C) 160 (°F)	70 167 (°F)	70 158	55 131	55 131	55 131	50-55 122-131	50 122	45 113
Rinse Temperatures		70 140 (°F)	75 158	70 158	61-67 142-157	66 151	61-67 142-157	65 149	55 131	0 0
Degree of dirtiness		-	High	High	Medium - High	Medium	Medium	Few	Few	-
Detergent in dispenser section	15 ml	-	-	-	-	-	-	-	+	-
	15-25 ml	+	+	+	+	+	+	+	-	-
	+ 5 ml	+	+	+	-	+	+	-	-	-
Recommended detergent amount	Hard water	40	40	40	25-40	40	25-40	25	15-25	-
	Medium water	8	8	8	5-8	8	5-8	5	3-5	-
	Soft water	-	40	40	15-40	40	25	15-25	15	-
		-	8	8	3-8	8	5	3-5	3	-
Wash	ml	-	25-40	25-40	15-40	25-40	15-25	15	15	-
	tsp	-	5-8	5-8	3-8	5-8	3-5	3	3	-
Main wash		+	+	+	+	+	+	+	-	+
Dry		+	+	+	+	+	+	+	+	-
Sanitize		+	+	+	+	-	+	-	-	-
Duration (minutes)		75	120	101	100-155	182	100-155	65	35	12
Water (liters)		14.4	20.2	16.2	9.0-21.2	19.2	9.0-21.2	11.8	11.6	4.4
		3.80	5.34	4.28	2.38-5.55	5.02	2.38-5.55	3.10	3.10	1.20

The consumption values shown in the table were determined under standard conditions. For this reason, deviations are possible under practical conditions.

* The energy-usage label is based on this program.

Operating the Dishwasher

1 Series

PROGRAM TABLE									
Program number	0	1	2	3	4	5	6		
Program name	TubClean	Pots & Pans+	Pots & Pans	Regular Wash *	DailyWash	Quick Wash	Rinse & Hold		
Wash Temperatures	(°C)	72	70	70	50-55	60	45	0	
	(°F)	160	167	158	122-131	140	113	0	
Rinse Temperatures	(°C)	70	75	70	61-68	70	55	0	
	(°F)	140	158	158	142-154	158	131	0	
Degree of dirtiness		-	High	High	Medium	Medium	Few	-	
		-	-	-	-	-	+	-	
Detergent in dispenser section	15 ml	-	-	-	-	-	+	-	
	15-25 ml	+	+	+	+	+	-	-	
+ 5 ml		+	+	+	+	+	-	-	
		+	+	+	+	+	-	-	
Recommended detergent amount	Hard water	40 ml	40 ml	40 ml	25-40 ml	25-40 ml	15-25 ml	15 ml	-
	Medium water	8 tsp	8 ml	8 ml	5-8 ml	5-8 ml	3-5 ml	3-5 ml	-
Soft water	8 tsp	40 ml	40 ml	25 ml	25 ml	25 ml	15 ml	-	
	8 tsp	8 ml	8 ml	5 ml	5 ml	5 ml	3 ml	-	
Wash		-	-	-	15-25 ml	15-25 ml	15 ml	-	
		-	5-8 ml	5-8 ml	3-5 ml	3-5 ml	3 ml	-	
Main wash	-	+	+	+	-	+	-	+	
Dry	-	+	+	+	+	+	-	-	
Sanitize	-	+	+	+	+	+	-	-	
Duration (minutes)	75	120	102	90-135	100	35	12		
Water (liters)				FDW103	FDW103WS				
				RVDW103	RVDW103WS				
				CFDW103					
Water (gallons)	14.4	20.2	16.2	11.6-19.0	14.0-21.4	11.6	4.4		
	3.80	5.34	4.28	3.06-5.01	3.70-5.65	3.10	1.20		

The consumption values shown in the table were determined under standard conditions. For this reason, deviations are possible under practical conditions.
 * The energy-usage label is based on this program

Operating the Dishwasher

Function Buttons

The combination of high temperatures and dishwasher detergent may cause damage to some items if they are washed in the dishwasher. Remember, if there is any doubt about any aspect concerning items to be washed in the dishwasher, follow the instructions from the manufacturer of the items, or wash the items by hand.



On/Off Button (1)

Turn the dishwasher on with the On/Off button. When you press the On/Off button, the indicator lights illuminate the display for ON position. The lights will turn off in the OFF position.



Program Selection /Cancel Button (2)

Press this button until the desired program appears in the indicator. To cancel the program, open the door, press and hold the Program Selection/Cancel button for 3 seconds. After the 3-2-1 countdown, 0:01 is displayed. Close the door and wait for the draining process to complete. Draining is completed in 2 minutes and the dishwasher will give an electronic beep when completed.

Function

If you press any of the Function buttons, (F1, F2, F3, F4), during program selection or time delay selection, an electric beep will be heard provided that the function is supported by the selected program. To cancel the selected function, keep the function button pressed until the indicator is no longer illuminated.



Half Load Function (F1)

If you want to run your machine without loading it completely, place your dishes into the machine as you desire. Press On/Off button to turn on your machine. Select desired program and press the Half Load Function button (F1). The Half Load Indicator lights up on the display, close the door of your machine to start the program. With the Half Load option you can use every part of your lower and upper baskets and save water and energy.



Sanitize Function (F2)

Sanitize function raises the water temperature in the final rinse to meet the requirements of NSF/ANSI STANDARD 184 for Residential Dishwashers. Certified residential dishwashers are not intended for licensed food establishments. Available only with Regular Wash, Pots & Pans, and Pots & Pans Plus programs.

Select desired program and press the Sanitize Function button (F2). The F2 button will light up on the display, close the door to start the program

At the end of a successful sanitization, "S" is displayed. The "S" will not be displayed if the cycle is interrupted or the water could not be heated to the required temperature.

NOTE: Only sanitizing cycles have been designed to meet the requirements of 6 for soil removal and sanitization efficiency. There is no intention, either directly or indirectly, that all cycles have passed sanitization performance tests.



HighGloss Function (F3) (3 Series only)

Provides superior drying performance



Intense Wash Function (F4) (3 Series only)

The Intense Wash impeller is located under the lower impeller and helps washing heavily soiled dishes placed in the right side of the lower basket. Better results are achieved when most soiled dishes are placed to the right side.

⚠ CAUTION Do not try to remove the Intense Wash impeller!

Operating the Dishwasher



Remaining Time Indicator/Delay Time Indicator (7)

You can follow the remaining program duration from the time indicator display.



Delay Start Button (8)

This option enables you to start the selected program with a delay of 1 to 24 hours.

- Delay time is adjusted by pressing the Time Delay button (press several times).
- After adjusting the delay time, press the Program Selection / Cancel button.
- Close the door. At the end of the delay set, the program starts automatically.

⚠ NOTICE

During a wash program, the Delay Start option does not function.

Cancellation of a Function

To cancel the program, open the door, press and hold the Program Selection/Cancel button for 3 seconds. After the 3-2-1 countdown, 0:01 is displayed. Close the door and wait for the draining process to complete. Draining is completed in 2 minutes and the dishwasher will give an electronic beep when completed.

⚠ WARNING

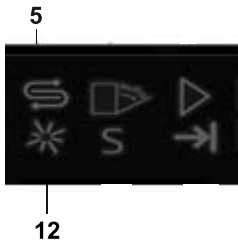
Depending on the stage of the program you have cancelled, there may be detergent residue or rinse agent inside the machine and on the dishes. Make sure the items in the dishwasher are not used before washing properly. Ingestion or inhalation of detergent or rinse agent may cause serious injury. Avoid contact with skin and eyes and keep children and people in poor health away from these materials.

Changing Volume of Sound Indicator

- After turning on the dishwasher, press Time Delay and P buttons simultaneously. Keep them pressed until the countdown 3-2-1 is completed on the display.
- Press P button to activate the S: position.
- Each time the Time Delay button is pressed, it will change the warning sound volume as "S:0" off, "S:1" medium, and "S:2" high.
- Turn off the dishwasher with the On/Off button to save the changes.

NOTE: Factory setting is "S:2".

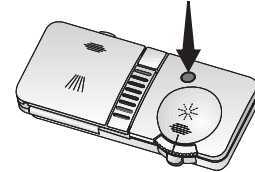
Operating the Dishwasher



Rinse Agent Level Indicator LED (12)

If this indicator light comes on, you need to refill rinse agent. You can also tell whether rinse agent must be refilled by looking at the rinse agent dispenser. When the visual fill indicator is dark, there is enough rinse agent in the dispenser. When the color is light, open the dispenser and refill rinse agent.

Visual indicator



Dark: Sufficient rinse agent
Light: Refill rinse agent

Salt Level Indicator LED (5)

When this indicator light comes on, you must refill special salt. Only use special dishwasher salt in your machine to soften the water.

Detergent and Rinse Agent Dispenser

Filling the Detergent Dispenser

⚠ WARNING

- Always store your detergent in locations which are cool, dry, and out of the reach of children.
- Check that the detergent dispenser is empty after the completion of each wash program.
- Dishwasher detergents can be dangerous if inhaled or swallowed. Avoid contact with skin and eyes; keep children and people in poor health away from the dishwasher when the door is opened. Consult a doctor immediately if detergent has been swallowed or inhaled.

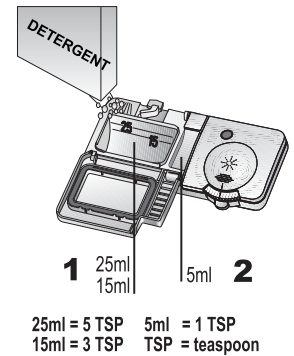
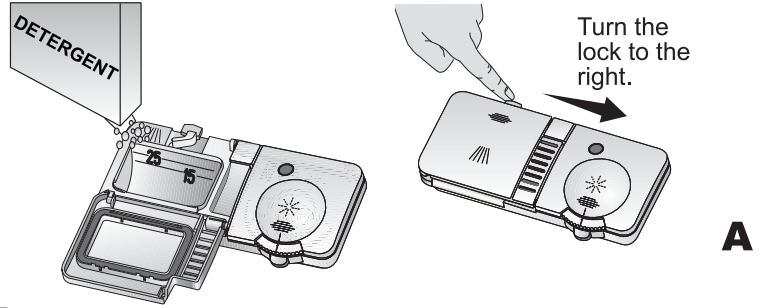
⚠ NOTICE

- Only use detergents suitable for dishwashers.
- **DO NOT** use detergent in Rinse/Hold cycle.
- **DO NOT** forget to pour/put the detergent into the dispenser before turning on the machine.
- Too much detergent may mean that the detergent does not dissolve properly and dishes could get scratched.
- Too much detergent in soft water may cause glass corrosion. **DO NOT** use too much detergent if your water supply is soft.

If you do not know the hardness of your water supply, use 15 ml/3 tsp. detergent. Increase the amount of detergent if you see white water marks, especially on the surface of the glassware. Find out the hardness of your water supply by asking your local water department, water softener company, or county extension agent.

Operating the Dishwasher

- Open the detergent container by pushing the lock to the right **A**.
- Pour/put the detergent into the dispenser.
- Close the lid until it clicks in.
- The detergent container holds a total of 40 ml/8 tsp. of detergent
- Marking lines on the inside of the detergent container aid in providing the correct amount of detergent. When the dishwasher is fully loaded and the dishes are very dirty, we recommend filling the detergent container up to the 25 ml/5 tsp. mark. When the dishes are less dirty, it is generally sufficient to fill the detergent up to the 15 ml/3 tsp. mark.
- The detergent amounts for the individual cleaning programs are shown in the Program Table on page 21.
- Fill amounts given are for standard powder detergent. Amounts may vary if you use liquid or concentrated power detergent. Tablet detergents should be placed in detergent container 1 with the cover closed.
- Follow instructions on the package of the detergent when using liquid dishwasher detergent, concentrated powder detergent, or tablet detergent.
- Deviations are possible depending on how dirty the dishes are and how hard the water is in your location.
- If your dishes have been in the dishwasher for some time without being washed, also fill the smaller container 2 up to the top.



Filling the Rinse Agent Dispenser

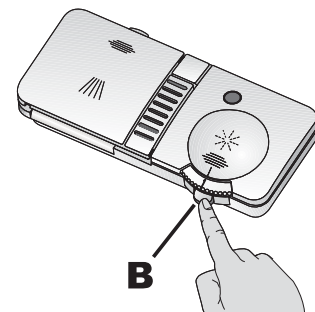
⚠ WARNING

Keep your rinse agents out of the reach of children. Ingestion or inhalation of rinse agent may cause serious injury. Avoid contact with skin and eyes, and keep children and people in poor health away from rinse agents

⚠ NOTICE

- Only use rinse agents suitable for use in dishwashers. Rinse aids allow washing water to rinse off more cleanly and prevent watermarks or streaks on the dishes.
- If you use "2 in 1" or "3 in 1" detergents/tabs, you do not need additional rinse agent.

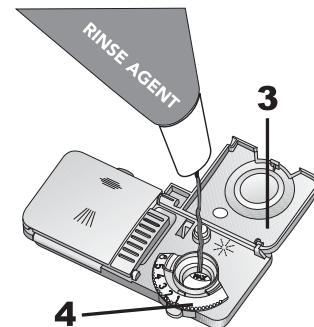
- Open the rinse agent dispenser by pressing the lock **B**.
- Carefully pour in rinse agent to the MAX mark.
- Close the lid until it clicks in **3**.
- Carefully wipe off spilled rinse agent. Excessive rinse agent causes excessive foam formation, which may hinder cleaning.



Set the Dose of Rinse Agent

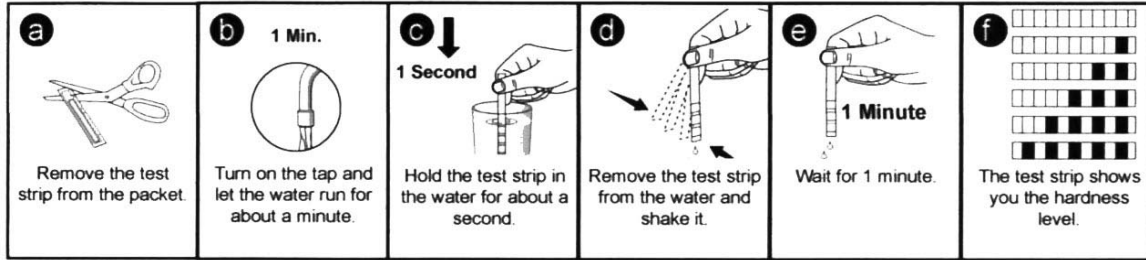
The dose of rinse agent to be used can be set by means of the dispenser regulator **4** between levels 1 and 6. Change the setting, only if the following applies after washing:

- Watermarks are visible on the dishes: Set dosage higher.
- Streaks are visible on the dishes: Set dosage lower.



Operating the Dishwasher

Setting the Water Softener (select models)



- Press the Program Selection button before you switch the appliance on and keep this button pressed down.
- Switch the appliance on using the On/Off button; then release the switch.
- Release the Program Selection button when the water hardness level stored on your machine is displayed in "r...." format.
- Start/Stop icon will start flashing as soon as the water hardness level store on your machine.
- Water hardness can be set to the desired level by pressing the Time Delay button (compare the test strip with the degrees of Hardness Table). The appropriate program lights up.
- Once you have set the hardness level, press the Program Selection button to save the value. The control indicator on the Program Selection button now lights up permanently.
- Press the On/Off button to save the setting.

Name of Unit	American	PPM	French	Indicator in the Multi-Function display
Definition	1 grain of CaCO ₃ / 1 gal (US) of water (Hardness °dE)	1 mg of CaO/ 1 L of water	1 mg of CaO/ 1 L of water (Hardness °dF)	
1st Level 	0-6	0-80	0-8	Press the Time Delay button to switch the water hardness level to position 1.
2nd Level 	7-12	81-130	9-13	Press the Time Delay button to switch the water hardness level to position 2.
3rd Level 	13-18	131-220	14-22	Press the Time Delay button to switch the water hardness level to position 3.
4th Level 	19-23	221-270	23-27	Press the Time Delay button to switch the water hardness level to position 4.
5th Level 	24-36	271-340	28-34	Press the Time Delay button to switch the water hardness level to position 5.
6th Level 	37-47	341-800	35-90	

Operating the Dishwasher

⚠ NOTICE

- If the water hardness level is less than 7 American odE or less than 8 French odF, you do not need any special softening salt. In this case, the “salt” control indicator lights up continually.
- If your local hardness level exceeds 47 American odE or 90 French odF, you should consider getting a water softening device for your dishwasher. If you use stream water or rainwater, you are advised to install filters.
- If the water hardness adjustment is set to level 1, the “salt” control indicator illuminates continuously although it is not necessary to use salt. If you use salt under this condition, salt will not be consumed and the lamp will not illuminate.
- If you move, do not forget to adjust the water hardness level to suit your new neighborhood.
- If the model does not have a salt dispenser, ignore this changes. Water hardness level must be in position 1.

Filling the Dishwasher Salt Dispenser

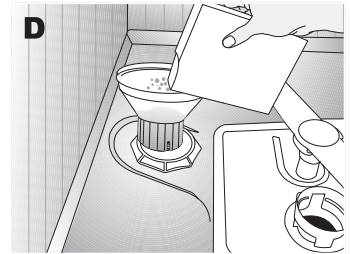
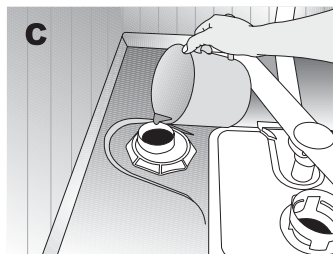
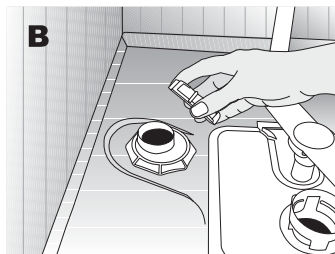
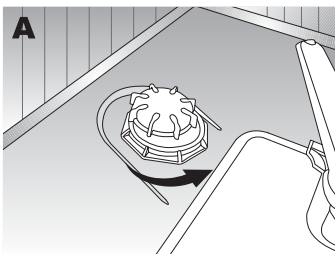
⚠ CAUTION

Never use culinary or table salt. These types of salt do not dissolve in water easily and will damage the function of the softening device.

⚠ NOTICE

- Only use special dishwasher salt in your machine to soften the water.
- **DO NOT** use coarse-grained salt. Small grains or powdered salt is more easily soluble.
- The manufacturer is not liable for damages resulting from the use of the wrong type of salt.

- Remove the lower rack from the machine.
- Open the screw-in cap of the salt container by turning it counterclockwise (Fig. A, B).
- When operating for the first time: Pour 1 liter of water into the salt container (Fig C).
- Pour the salt into the container with the aid of the supplied salt funnel (Fig. D). Pour in enough salt to fill the container. The container holds approximately 2 kg/4.4 pounds.
- Close the cap tightly.



⚠ CAUTION

Begin any wash program immediately after filling the salt container. The washing program prevents damage to the machine which may be caused by any spilled salt solution.

After the first washing cycle, the salt level indicator light will go out.

Care and Maintenance

⚠ CAUTION

Cleaning your dishwasher at regular intervals ensures longer product life and reduces the risk of recurring problems. Always disconnect the power to machine before cleaning.

⚠ WARNING

- Before cleaning or carrying out maintenance, switch off the appliance, disconnect the mains plug, and turn off the water tap.
- **DO NOT** repair or replace any part of the dishwasher or attempt any servicing unless specifically recommended by this manual. We recommend that the dishwasher only be repaired by an authorized service agent.

⚠ CAUTION

- To avoid the possibility of slipping, keep the floor around the dishwasher clean and dry.
- Keep your appliance free from the accumulation of combustible materials, such as lint, rags, and chemicals.
- If the dishwasher is not in use for an extended period of time, we recommend you check that the baskets are empty, leave the inside of the dishwasher clean, the door cracked open to allow air to circulate, and turn off both the power and water supply to the dishwasher.

Caring for Your Dishwasher Exterior

⚠ CAUTION

Possible dishwasher damage: Abrasive cleaners, scouring pads, abrasive cloths (paper towels) can damage the dishwasher door.

Cleaning the Control Panel

Use only soft cloth that is lightly dampened with mild detergent. Clean the control panel only with a moist cloth and clear water.

Cleaning the Colored Doors

Use only light cloth that is lightly dampened with mild detergent.

Cleaning the Stainless Steel Doors

Use a soft cloth with a cleaner made for cleaning stainless steel. For the best results, apply the stainless steel cleaner to a soft cloth and wipe the surface in the direction of the grain. **DO NOT** use abrasive cleaners or cleaners containing bleach.

Cleaning the Door Gasket

Regularly clean the door gasket with a damp cloth to remove food particles and other debris. Use a gentle household cleaner for the outside and the door seals, and rinse thoroughly.

Caring for Your Dishwasher Interior

⚠ CAUTION

When cleaning the underside of the main filter, care must be taken on the sharp outer edge to avoid the risk of cut type injuries.

⚠ WARNING

If your dishwasher is equipped with interior lighting, replacement should only be done by an authorized service agent.

Care and Maintenance

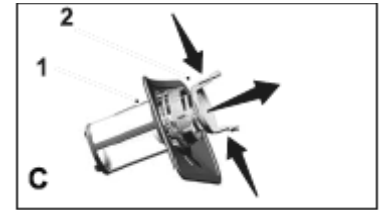
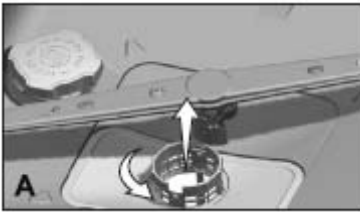
Cleaning the Filters

Clean the filters and the spray arms regularly. Check if food residues are left on the filters. If there are food residues on the filters, take them out and clean well under running water. A dirty dishwasher will have a negative effect on the cleaning results.

⚠ CAUTION

DO NOT operate your dishwasher without a filter. You will damage your machine. Ensure that your filters are correctly installed.

- Remove the lower rack from the machine.
- Turn the coarse filter counterclockwise to the left and pull it out in an upward direction **A**.
- Pull out the metal/plastic filter (3) from the seating **B**.
- Press on the two tabs of the coarse filter inwards and remove from the microfilter **C**.
- Clean the filters thoroughly under running water. Use a brush if necessary.
- Replace metal / plastic filter..
- Replace the the coarse filter into the microfilter. Make sure that it is properly seated. **NOTE:** Incorrect placement of the filters will reduce washing efficiency.
- Twist it clockwise until it clicks into place.



Cleaning the Spray Arms

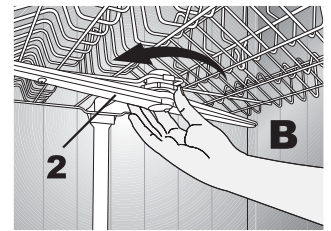
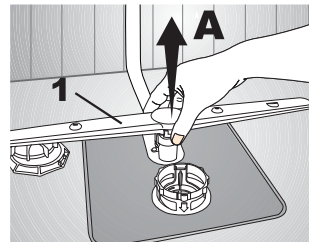
⚠ NOTICE

Dirt and/or calcium residue may block the nozzles on the spray arms. For this reason, regularly check the spray nozzles.

1 Lower spray arm

2 Upper spray arm

- Remove the lower rack from the machine.
- Pull off the lower spray arm in an upward direction **A**.
- Loosen the fastening screw of the upper spray arm and pull off the spray arm **B** by a downward motion.
- Clean the spray arms under running water.
- Replace the lower spray arm in a downward direction.
- Replace the upper spray arm and tighten the fastening screw by turning it around to the left.
- Insert the lower rack.



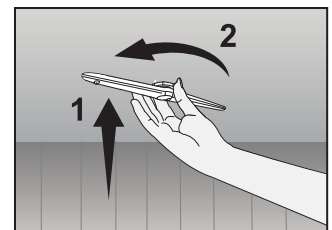
⚠ CAUTION

Made sure the fastening screw is tight on the upper spray arm.

Check if the holes on the top of the third spray arm are clogged. If they are clogged, remove and clean them.

To remove them, slightly push them upwards (1) and then turn clockwise (2).

To replace the impeller, seat it into its slot, push slightly upwards and turn it counter clockwise until it is securely fitted. When the impeller is released, check if it rotates without any obstruction.



Troubleshooting

Poor wash results may not always be caused by the dishwasher. Please review the following Troubleshooting Charts for possible remedies. You may find the proper solution without having to call a service provider.

Problem	Possible Cause and/or Remedy
Dishwasher does not start	<p>Is the machine plugged in? Are all fuses operative? Is the water supply fully turned on? Is the dishwasher door closed securely? Have you pressed the On/Off button?</p>
Dishwasher starts but fails to circulate water within 5 seconds	Cancel the program by pressing the Start/Pause button for 5 seconds.
What if the "S:an" is not displayed on the screen?	Dishwasher cycle was interrupted or the water did not reach required temperature.
Door will not stay down in open position	Adjust door spring tension (custom panel models only, see Installation Guide).
Dishes are not dry	<p>Improper loading: Load the dishwasher as suggested in this manual.</p> <p>Insufficient rinse agent supply: Increase the dosage amount of rinse agent and/or refill the rinse agent dispenser.</p> <p>Dishes are removed too soon: Do not empty your dishwasher immediately after washing. Open the door slightly so that the steam can escape. Begin with unloading the dishwasher when the dishes are only hand warm. Empty the lower rack first. This prevents water from dripping off dishes in the upper rack.</p> <p>Wrong program selection: In short period programs, the wash temperature and therefore the cleaning performance is lower. Choose a program with a longer washing time.</p> <p>Washing cutlery with worn surface: Evaporation of water is more difficult with these items. Cutlery or dishes of this type are not suited for dishwashers.</p>
Tea, coffee, or other stains	<p>Wrong program selection: Select a program that washes at a higher temperature or takes a longer amount of time.</p> <p>Detergent is moist or clumping in box: Bleaches in cleaners lose their efficiency when stored under unfavorable conditions. Store detergents in a dry location. Close the lid of the container securely.</p> <p>Using cutlery with a low surface quality: Cleaning of these items is made difficult by their poor surface structure. Cutlery or dishes of this type are not for dishwashers.</p>
Dishes break	<p>Improper loading. Load the dishwasher as suggested in this manual.</p> <p>Overloaded racks. Do not overload the dish rack. Dishes may hit against each other and break.</p>

Troubleshooting

Problem	Possible Cause and/or Remedy
Dishes are not clean	<p>Improper loading: Load the dishwasher as suggested in this manual.</p> <p>Wrong program selection: Select a program that washes at a higher temperature or takes a longer amount of time.</p> <p>Spray arms are not turning: Check if the spray arms are blocked from moving freely.</p> <p>Clogged filters: Clean all filters as described in this manual.</p> <p>Filters are not placed in their proper positions: Check if all filters are placed in their proper positions.</p> <p>Spray arm nozzles are clogged: Clean the spray arms as described in this manual.</p> <p>Overloaded racks: Do not overload the racks.</p> <p>Detergent is moist or clumping in box: Store detergents in a dry location. Close the lid of the container securely.</p> <p>Too little detergent: Increase the amount of the detergent as per the program table.</p> <p>Too little rinse agent: Increase the amount of rinse agent and/or refill the rinse agent dispenser.</p> <p>The lid of the detergent dispenser remained open: Always ensure that you close the detergent dispenser lid after pouring in the detergent.</p> <p>Washing cutlery with worn surface quality: Cutlery of this type is not suited to dishwashers.</p>
Calcium streaks, misty appearance	<p>Insufficient rinse agent supply: Increase the dosage amount of rinse agent and/or refill the rinse agent dispenser.</p> <p>The hardness is not selected properly; too little salt is being used: Call water supplier and ask for local hardness in grains per gallon or ppm.</p> <p>Salt loss (models with salt container): Check whether the lid of the salt container is firmly closed. Use the funnel to pour in special salt. Begin the Rinse and Hold program right after filling in salt. After the program is complete, check whether the lid may have loosened.</p>
Fading of glasses, china, porcelain pattern	<p>Fading of decoration on glasses and porcelain: Glasses, porcelain, and cutlery of this type are not suited for the dishwasher.</p>

Troubleshooting

Problem	Possible Cause and/or Remedy
Smell	<p>Smell of new machine: The smell of a new machine disappears after a few wash cycles with detergent.</p> <p>Filters are dirty: Clean all filters as described in this manual.</p> <p>Dirty dishes standing in the machine for a few days without being washed: Remove coarse dirt under running water and run the Rinse and Hold program every two days without detergent.</p> <p>Dirty door gasket: Regularly clean the door gasket with a damp cloth to remove food particles and other debris. Use a gentle household cleaner for the outside and the door seals, and rinse thoroughly.</p>
Milky appearance or rainbow on the glasses (glass corrosion)	<p>Excessive use of detergent when water hardness is low:</p> <ul style="list-style-type: none"> •Add a smaller amount of detergent. •Compare the water hardness level setting on the dishwasher against the stated values from the local water supplier. •When water hardness is low (below 7 degree of hardness or 106 parts per million), DO NOT use salt even if your dishwasher has a water softener.
Rust stains, destruction of the surface	<p>The lid of the salt container is not closed securely. Salt loss (models with salt container):</p> <ul style="list-style-type: none"> •Salt can destroy metal surfaces and cause rust damage. •Check whether the lid of the salt container is firmly closed. Use the funnel to pour in special salt. Begin the Rinse and Hold program right after filling in salt. After the program is complete, check whether the lid may have loosened. <p>Food leftovers are staying on the dishes for too long: Remove coarse dirt under running water and carry out the Rinse and Hold program every two days without detergent.</p> <p>The machine is not grounded properly: Check the grounding of the system. Static electricity may eat holes into metal and cause irreparable damages to surfaces.</p> <p>Cutlery parts from low-grade rust-free steel: Rust on such items cannot be avoided. Cutlery or dishes of this type are not suited for the dishwasher.</p> <p>Dish items with rust stains: Rusty dishes may "infect" other items. Cutlery or dishes of this type are not suited for the dishwasher.</p>
Water remains inside the machine after the rinse cycle.	<p>Clean all filters as described in this manual.</p> <p>Ensure that the drain hose is properly placed and open.</p>
Foam	<p>The dishes are pre-washed by hand with a large amount of dish detergent: Dishes do not need to be pre-washed. Coarse dirt may be removed with a dishcloth, or you may hold the dishes under running water.</p> <p>Rinse agent has accidentally leaked into the machine: If rinse agent has been spilled during refilling, remove the agent using a paper cloth or sponge.</p> <p>The cover of the rinse agent dispenser is not closed securely: Always take care to ensure that the lid is closed after refilling the rinse agent dispenser.</p>

Troubleshooting

Problem	Possible Cause and/or Remedy
<p>Detergent residue remains in the dispenser.</p>	<p>Moisture in the detergent dispenser. Ensure that the detergent dispenser is dry before filling it.</p> <p>Detergent stays in the dispenser for too long. Pour the detergent in just before washing.</p> <p>The lid of the detergent dispenser does not open. When loading the dishwasher, take care to ensure that you do not accidentally block detergent cup with large dishware or utensils.</p> <p>Detergent is moist or clumping in box. Store detergents in a dry location. Close the lid of the container carefully.</p> <p>Spray arm nozzles are clogged. Clean the spray arms as described in this manual.</p> <p>Spray arms are blocked by dishware. Make sure spray arms rotate freely.</p> <p>Was the cycle terminated early? Terminating the cycle early can leave detergent residue in the dispenser.</p>
<p>Scratched dishes</p>	<p>Dish items/parts made from aluminum: Dishes and cutlery of this type are not suited for the dishwasher.</p> <p>The lid of the salt container is not closed securely. Salt loss (models with salt container): Check whether the lid of the salt container is firmly closed. Use the funnel to pour in special salt. Begin the Rinse and Hold program right after filling in salt. After the program is complete, check whether the lid may have loosened.</p> <p>The hardness is not selected properly; too little salt is being used: Call water supplier and ask for local hardness in grains per gallon or ppm. Adjust the water hardness level setting accordingly.</p> <p>Detergents are being stored under unfavorable conditions: Detergents should not be stored longer than two months in open packages. Store detergents in a dry location. Close the lid of the container carefully.</p> <p>Overloaded racks: Take care to ensure that individual glasses and dishes do not touch. They may hit against each other during the washing process, causing scratches.</p>

Service Information

If service is required, call your authorized service agency.

Have the following information readily available.

- Model number
- Serial number
- Date purchased
- Name of dealer from whom purchased

Clearly describe the problem that you are having. If you are unable to obtain the name of an authorized service agency, or if you continue to have service problems, contact Viking Range, LLC at 1-888-845-4641, or write to:

**VIKING RANGE, LLC
PREFERRED SERVICE
111 Front Street
Greenwood, Mississippi 38930 USA**

Record the information indicated below. You will need it if service is ever required. The model and serial numbers are located on an identification label attached to the left side of the tank. For access, simply open the door of the dishwasher.

Model no. _____ Serial no. _____

Date of purchase _____ Date installed _____

Dealer's name _____

Address _____

If service requires installation of parts, use only authorized parts to insure protection under the warranty.

Keep this manual for future reference.

Warranty

BUILT-IN DISHWASHERS WARRANTY ONE YEAR FULL WARRANTY

Built-in dishwashers and all of their component parts, except as detailed below*,†, are warranted to be free from defective materials or workmanship in normal residential use for a period of one (1) year from the date of original retail purchase. Viking Range, LLC, warrantor, agrees to repair or replace, at its option, any part which fails or is found to be defective during the warranty period.

***FULL NINETY (90) DAY COSMETIC WARRANTY:** Product is warranted to be free from cosmetic defects in materials or workmanship (such as scratches on stainless steel, paint/porcelain blemishes, etc.) for a period of ninety (90) days from the date of original retail purchase or closing date for new construction, whichever period is longer. Any defects must be reported to the selling dealer within ninety (90) days from date of original retail purchase. Viking Range, LLC uses high quality processes and materials available to produce all color finishes. However, slight color variation may be noticed because of the inherent differences in painted parts and porcelain parts as well as differences in kitchen lighting, product locations, and other factors. Therefore, this warranty does not apply to color variation attributable to such factors.

†FULL NINETY (90) DAY WARRANTY IN "RESIDENTIAL PLUS" APPLICATIONS: This full warranty applies to applications where use of the product extends beyond normal residential use, but the warranty period for products used in such applications is ninety (90) days. Examples of applications covered by this warranty are bed and breakfasts, fire stations, private clubs, churches, yachts, etc. Under this "Residential Plus" warranty, the product, its components and accessories are warranted to be free from defective material or workmanship for a period of ninety (90) days from the date of original retail purchase. This warranty excludes use of the product in all commercial locations such as restaurants, food service locations and institutional food service locations.

FIVE YEAR LIMITED WARRANTY ON NYLON RACKS, ELECTRONIC CONTROLS, MOTOR/PUMP ASSEMBLY, AND WATER DISTRIBUTION SYSTEM COMPONENTS

Any upper and/or lower nylon rack which rusts through due to defective materials or workmanship and any electronic controls which fail due to defective materials or workmanship in normal household use during the fourth through fifth year from the date of original retail purchase will be repaired or replaced, free of charge for the part itself, with the owner paying all other costs, including labor. Any motor/pump assembly or water distribution system component as listed below which fails due to defective materials or workmanship in normal household use during the fourth through fifth year from the date of original retail purchase will be repaired or replaced, free of charge for the part itself, with the owner paying all other costs, including labor.

Motor/Pump and Water Distribution System Components:

- Circulation motor/pump
- Lower wash arm
- Drain motor/pump
- Tube to upper wash arm
- Fill valve
- Upper wash arm
- Diverter

LIFETIME LIMITED WARRANTY ON STAINLESS STEEL TANK AND LINER

Any stainless steel tank or inner door liner which develops a water leak due to defective materials or workmanship in normal household use during the lifetime of the product will be repaired or replaced, free of charge for the part itself, with the owner paying all other costs, including labor. This warranty excludes surface corrosion or rust, scratches, discoloration, water or atmospheric conditions, or cleaning practices which are part of normal residential use.

TERMS AND CONDITIONS

This warranty extends to the original purchaser of the product warranted hereunder and to each transferee owner of the product during the term of the warranty and applies to products purchased and located in the United States, Canada, Mexico and the Caribbean (excluding the Dominican Republic, Cuba, and Haiti). Products must be purchased in the country where service is requested. If the product or one of its component parts contains a defect or malfunction during the full warranty period after a reasonable number of attempts by the warrantor to remedy the defect or malfunction, the owner is entitled to either a refund or replacement of the product or its component part or parts.

Replacement of a component part includes its free installation, except as specified under the limited warranty. Under the terms of this warranty, service must be performed by a factory authorized Viking Range, LLC service agent or representative. Service will be provided during normal business hours, and labor performed at overtime or premium rates shall not be covered by this warranty.

Owner shall be responsible for proper installation, providing reasonable and necessary maintenance, providing proof of purchase upon request, and making the appliance reasonably accessible for service. The return of the Owner Registration Card is not a condition of warranty coverage. You should, however, return the Owner Registration Card so that Viking Range, LLC can contact you should any question of safety arise which could affect you.

This warranty gives you specific legal rights, and you may also have other rights which may vary from jurisdiction to jurisdiction.

WHAT IS NOT COVERED BY THIS WARRANTY: This warranty shall not apply to damage resulting from abuse, failure to provide reasonable and necessary maintenance, accident, delivery, negligence, natural disaster, loss of electrical power to the product for any reason, alteration, outdoor use, improper installation, improper operation, or repair or service of the product by anyone other than an authorized Viking Range, LLC service agency or representative. This warranty does not apply to commercial usage.

LIMITATION OF REMEDIES AND DURATION OF IMPLIED WARRANTY

OWNER'S SOLE AND EXCLUSIVE REMEDY FOR A CLAIM OF ANY KIND WITH RESPECT TO THIS PRODUCT SHALL BE THE REMEDIES SET FORTH ABOVE. VIKING RANGE, LLC IS NOT RESPONSIBLE FOR CONSEQUENTIAL OR INCIDENTAL DAMAGE, INCLUDING BUT NOT LIMITED TO FOOD OR MEDICINE LOSS, DUE TO PRODUCT FAILURE, WHETHER ARISING OUT OF BREACH OF WARRANTY, BREACH OF CONTRACT OR OTHERWISE. Some jurisdictions do not allow the exclusion or limitation of incidental or consequential damages, so the above limitation or exclusions may not apply to you. Any implied warranties of merchantability or fitness for a particular purpose applicable to this product are limited in duration to the period of coverage of the applicable express written limited warranties set forth above. Some states do not allow limitations on how long an implied warranty lasts, so the above limitation may not apply to you.

WARRANTY SERVICE

To obtain warranty service, contact an authorized service agent, or Viking Range, LLC, 111 Front Street, Greenwood, Mississippi 38930, (888) 845-4641. Provide model and serial number and date of original purchase or closing date for a new construction. For the name of your nearest authorized Viking Range, LLC service agency, call Viking Range, LLC.

IMPORTANT: Retain proof of original purchase to establish warranty period.

Specifications subject to change without notice.

Viking Range, LLC
111 Front Street
Greenwood, Mississippi 38930 USA
(662) 455-1200

For more product information, call 1-888-845-4641
or visit our web site at www.vikingrange.com in the US
or brigade.ca in Canada

d'Utilisation et d'Entretien

MANUAL



1 & 3 SÉRIES

Lave-vaisselle intégré

CFDW302
CFDW103

Félicitations

Votre lave-vaisselle est conçu pour vous offrir des années de service fiable. Ce manuel d'utilisation et d'entretien vous fournira les informations nécessaires pour vous familiariser avec le fonctionnement et l'entretien de votre lave-vaisselle.

Votre entière satisfaction est notre objectif ultime. Si vous avez des questions ou des commentaires à propos de ce produit, veuillez contacter le distributeur qui vous a vendu le produit, ou contactez notre centre d'assistance à la clientèle au 1-888-845-4641.

Pour plus de renseignements sur la liste complète des produits, contactez votre distributeur ou visitez-nous en ligne aux É.-U. à www.vikingrange.com ou au Canada à www.brigade.ca

Table des matières

Démarrage

Avertissements et sécurité	3
Caractéristiques	5

Fonctionnement

Chargement du lave-vaisselle	6
Positions de la grille	7
Chargement approprié et inapproprié	9
Instructions d'utilisation	11
Tableau du programme	12
Boutons de fonction	14
Distributeur de détergent et de produit de rinçage	16

Entretien du produit

Nettoyage et entretien	20
Nettoyage des filtres	20
Nettoyage des bras gicleurs	21
Dépannage	22
Informations sur l'entretien	26
Garantie	27

Avertissements et sécurité

Lisez entièrement et avec attention ce manuel d'utilisation et les consignes de sécurité en particulier. Ils vous permettront de gagner du temps et des efforts et vous aideront à assurer la performance optimale du lave-vaisselle.

Assurez-vous de respecter tous les avertissements et les mises en garde indiqués. Recherchez particulièrement les icônes ayant des points d'exclamation à l'intérieur. L'icône information fournit également des références importantes. Les avertissements et les instructions de sécurité importantes de ce manuel ne constituent pas une liste exhaustive des conditions et situations qui peuvent se produire. Vous devez faire preuve de bon sens, d'attention et de soin lorsque vous installez, entretenez ou faites fonctionner l'appareil.

CONTACTEZ TOUJOURS le fabricant s'il y a des problèmes ou des conditions que vous ne comprenez pas.

Reconnaître les symboles, les mots et les étiquettes de sécurité

⚠ DANGER
Indique une situation potentiellement dangereuse qui, si elle n'est pas évitée, peut entraîner la mort ou de graves blessures.
⚠ AVERTISSEMENT
Indique une situation potentiellement dangereuse qui, si elle n'est pas évitée, peut entraîner des blessures. Peut également servir à mettre en garde contre les pratiques dangereuses.
⚠ REMARQUE
Indique une situation potentiellement dangereuse qui, si elle n'est pas évitée, peut endommager le lave-vaisselle, la vaisselle, l'équipement ou l'environnement.

Lisez et suivez toutes les instructions avant d'utiliser cet appareil afin d'éviter un risque potentiel d'incendie, de choc électrique, de blessures corporelles ou d'endommagement de l'appareil résultant d'une mauvaise utilisation de l'appareil. Utilisez cet appareil uniquement aux fins indiquées dans ce manuel.

Pour assurer un fonctionnement correct en toute sécurité : L'appareil doit être correctement installé et mis à la terre par un technicien qualifié. N'ESSAYEZ PAS de régler, réparer, entretenir ou remplacer une pièce de votre appareil sauf si cela est explicitement recommandé dans ce manuel. Toute autre opération d'entretien doit être confiée à un technicien qualifié.

⚠ AVERTISSEMENT
Proposition 65 de l'état de Californie
-Cet appareil contient un ou plusieurs produits chimiques reconnus par l'état de Californie comme provoquant le cancer. -Cet appareil contient un ou plusieurs produits chimiques reconnus par l'état de Californie comme pouvant causer des anomalies congénitales ou d'autres problèmes de reproduction.

⚠ AVERTISSEMENT
RISQUE D'ÉTOUFFEMENT!
Assurez-vous que tous les emballages, sacs plastiques, petites pièces, etc. sont mis au rebut en toute sécurité et tenus à distance des enfants.

⚠ AVERTISSEMENT
Le raccordement inapproprié du conducteur de protection peut entraîner un risque de choc électrique. Consultez un électricien qualifié ou un représentant du service d'entretien si vous avez des doutes sur la mise à la terre appropriée de l'appareil. Ne modifiez pas la fiche fournie avec l'appareil, si elle ne convient pas à la prise, demandez à un électricien qualifié d'installer une prise appropriée.

⚠ AVERTISSEMENT
Si votre lave-vaisselle est doté d'éclairage intérieur, remplacement doit être effectué par un réparateur autorisé.

Avertissements et sécurité

AVERTISSEMENT

Lors de l'utilisation du lave-vaisselle, suivez les mesures de précautions de base notamment :

Lire toutes les instructions avant d'utiliser le lave-vaisselle! Gardez ces consignes et transmettez-les à tout potentiel futur utilisateur

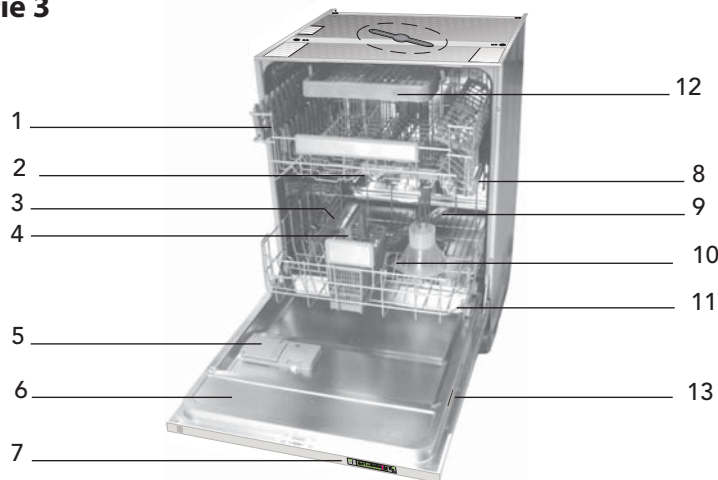
- Utilisez cet appareil uniquement aux fins indiquées dans ce manuel. Cet appareil est normalement conçu pour un usage domestique uniquement.
 - Le fabricant décline toute responsabilité en cas de dommage ou de blessure causé par une mauvaise utilisation de cet appareil.
 - Suivez les informations contenues dans ce manuel d'utilisateur pour réduire le risque d'incendie ou d'explosion et pour éviter des dégâts matériels, des blessures corporelles ou des pertes en vies humaines.
 - UTILISEZ le lave-vaisselle uniquement si tous les panneaux d'enceinte sont bien en place.
 - NE TOUCHEZ PAS aux commandes.
 - ÉVITEZ d'utiliser abusivement, de vous asseoir et de vous tenir sur le balconnet ou le panier du lave-vaisselle.
 - Les paniers à tasses sont conçus pour soutenir les gobelets, les verres et les ustensiles de cuisine. Lorsque les paniers à tasses sont dans le lave-vaisselle, ne vous inclinez pas dessus et ne les utilisez pas pour soutenir le poids de votre corps.
 - Pour réduire le risque de blessure, NE LAISSEZ PAS les enfants jouer dans, sur ou près du lave-vaisselle.
 - Utilisez uniquement des détergents ou des produits de rinçage recommandés pour un lave-vaisselle à usage domestique et gardez-les dans un endroit sec hors de portée des enfants. Assurez-vous que le distributeur de détergent est vide après chaque programme de lavage.
 - Les détergents de lave-vaisselle sont alcalins. Ils peuvent être dangereux s'ils sont inhalés ou avalés. Évitez tout contact avec la peau et les yeux et tenez les enfants ainsi que les personnes en mauvaise santé à distance du lave-vaisselle lorsque la porte est ouverte. Consultez immédiatement un médecin en cas d'inhalation ou d'ingestion du détergent.
 - NE BUVEZ PAS l'eau du lave-vaisselle! Des résidus nocifs pourraient encore y être présents.
 - Dans certaines conditions, l'hydrogène gazeux peut se produire dans le circuit du chauffe-eau qui n'a pas été utilisé pendant deux semaines ou plus. L'HYDROGÈNE GAZEUX EST EXPLOSIF. Si le circuit d'eau chaude n'a pas été utilisé pendant une telle période, ouvrez tous les robinets d'eau chaude et laissez l'eau s'en écouler pendant plusieurs minutes, avant d'utiliser le lave-vaisselle. Cela permet d'évacuer tout l'hydrogène gazeux accumulé. Vu que ce gaz est inflammable, ne fumez pas et n'utilisez pas de flamme nue durant cette période.
 - NE STOCKEZ PAS et n'utilisez pas de liquides ou de vapeurs inflammables dans l'espace du lave-vaisselle.
 - Lors du chargement des ustensiles à laver, placez les objets tranchants de façon qu'ils n'endommagent pas le joint d'étanchéité et chargez les couteaux tranchants en plaçant les manches vers le haut pour réduire le risque de blessure de type coupure.
 - NE LAVEZ les objets plastiques que s'ils portent la mention « lavables au lave-vaisselle » ou l'équivalent. Pour les objets plastiques ne portant pas la mention, consultez les recommandations du fabricant.
 - En cas de dysfonctionnement, débranchez l'appareil et coupez l'alimentation en eau du lave-vaisselle.
 - Avant de nettoyer ou d'effectuer des travaux de maintenance, débranchez l'appareil, déconnectez la fiche et coupez l'alimentation en eau.
 - Les réparations et modifications techniques doivent être effectuées exclusivement par un technicien qualifié.
 - Si le lave-vaisselle n'est pas utilisé pendant une période prolongée (par ex. maison de vacances), nous recommandons de vous assurer que les paniers sont vides, de laisser l'intérieur du lave-vaisselle propre, d'ouvrir partiellement la porte pour permettre la circulation de l'air et de couper l'alimentation électrique et en eau.
 - Cet appareil doit être mis à la terre. En cas de dysfonctionnement ou de panne, la mise à la terre réduit le risque de choc électrique en fournissant un chemin de résistance moindre pour le courant électrique. Cet appareil est équipé d'un cordon doté d'un conducteur de protection et d'une prise de mise à la terre. La fiche est branchée à une prise appropriée, installée et mise à la terre conformément à tous les codes et règlements.
 - Branchez cet appareil à un circuit de câblage métallique et définitif ou utilisez un conducteur de protection avec des conducteurs de circuit connectés à une borne de protection ou à un fil de mise à la terre de l'équipement sur l'appareil.
- L'installation du lave-vaisselle doit être effectuée conformément au guide d'installation. Si vous ne recevez pas de guide d'installation, commandez-le en appelant au 1-888-1-888-845-4641 ou téléchargez-le sur notre site Web aux É.-U. (www.vikingrange.com) ou au Canada (www.brigade.ca).
- L'installation et la réparation doivent être effectuées uniquement par un installateur qualifié. L'exécution de travaux par des personnes non qualifiées peut s'avérer dangereuse et annuler la garantie.
 - N'UTILISEZ PAS le lave-vaisselle s'il est endommagé, défectueux, partiellement démonté ou s'il comporte des pièces manquantes ou cassées.

Avertissements et sécurité

- Avant l'installation ou l'entretien, déconnectez l'alimentation électrique de la zone de travail en débranchant l'équipement, en «déclenchant» le disjoncteur ou en retirant le fusible.
- Branchez le lave-vaisselle à l'alimentation électrique uniquement lorsque tous les travaux d'installation et de plomberie sont terminés.
- N'INSTALLEZ et n'entreposez pas le lave-vaisselle dans un endroit où il peut être exposé à des températures de gel ou aux intempéries.
- Fixez le lave-vaisselle à l'armoire attenante à l'aide des supports fournis. Tout manquement à cette règle peut entraîner des dégâts matériels ou des blessures corporelles.
- Branchez l'appareil à un circuit d'alimentation électrique à la puissance nominale appropriée, correctement protégé et aux dimensions appropriées pour éviter toute surcharge électrique. Le lave-vaisselle est conçu pour une alimentation électrique CA de 120 V (volts), 60 Hz (hertz), raccordée à un circuit électrique spécialisé pour lave-vaisselle et correctement mis à la terre à l'aide d'un fusible ou de disjoncteurs de 15 ampères. Les conducteurs d'alimentation électrique doivent être en fil de cuivre de #16 AWG minimum de 167°F (75°C) ou supérieur. Respectez ces exigences pour éviter toute blessure et des dommages à la machine. Consultez un électricien qualifié si vous avez des doutes. • N'UTILISEZ ni rallonge ni prise portable pour brancher le lave-vaisselle à l'alimentation électrique.
- Déposez la porte du lave-vaisselle lors de la mise hors service d'un vieux lave-vaisselle ou de sa mise au rebut. Assurez-vous que l'appareil ne présente aucun danger pour les enfants lors de l'entreposage pour la mise au rebut.
- Les vieux appareils peuvent contenir du matériel recyclable. Contactez les autorités responsables du recyclage dans votre localité sur la possibilité de recycler ce matériel.

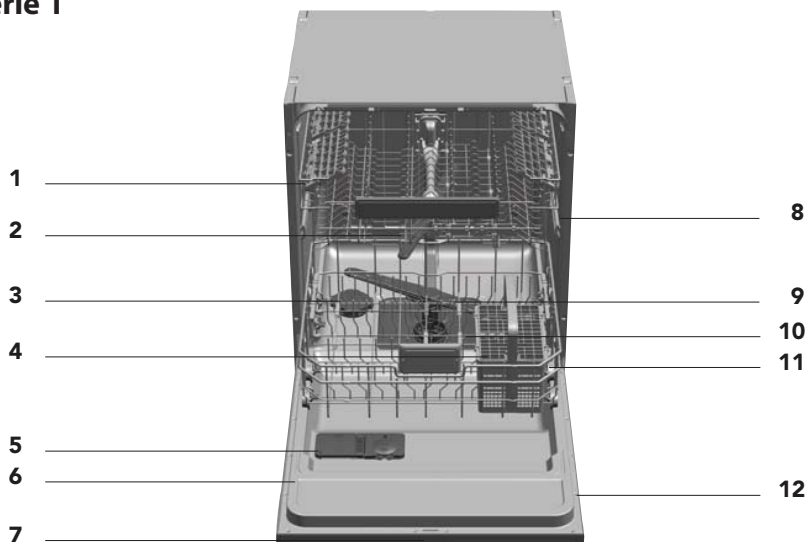
Caractéristiques

Série 3



1. Panier supérieur
2. Bras gicleur supérieur
3. Boîte à sel (sélectionnez les modèles)
4. Panier à couvert
5. Distributeur de détergent
6. Porte
7. Panneau de commande
8. Glissière de guidage du panier supérieur
9. Bras gicleur inférieur
10. Filtres
11. Panier inférieur
12. Panier amovible de troisième
13. Modèle et étiquette de série

Série 1

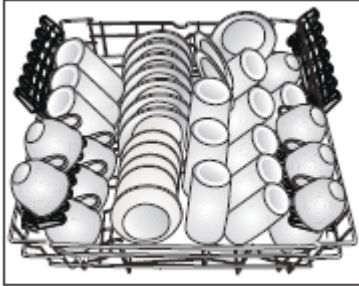


1. Panier supérieur
2. Bras gicleur supérieur
3. Boîte à sel (sélectionnez les modèles)
4. Panier à couvert
5. Distributeur de détergent
6. Porte
7. Panneau de commande
8. Glissière de guidage du panier supérieur
9. Bras gicleur inférieur
10. Filtres
11. Panier inférieur
12. Modèle et étiquette de série

Chargement du lave-vaisselle

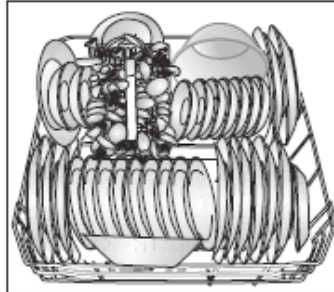
- Tirez la poignée pour ouvrir la porte. Si la porte est ouverte pendant le fonctionnement de l'appareil, le lave-vaisselle s'arrête. Une fois la porte fermée, le programme continue.
- Enlevez tous les résidus alimentaires coriaces sur la vaisselle.
- Vous pouvez maintenant charger le lave-vaisselle.

Panier supérieur



Modèle de chargement du panier supérieur pour 12 places selon les normes AHAM DW-1

Panier inférieur



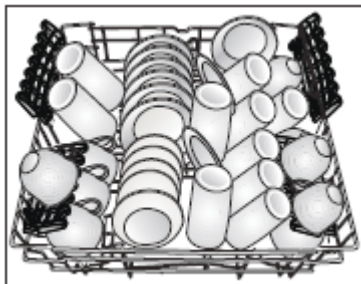
Modèle de chargement du panier inférieur pour 12 places selon les normes AHAM DW-1

⚠ AVERTISSEMENT

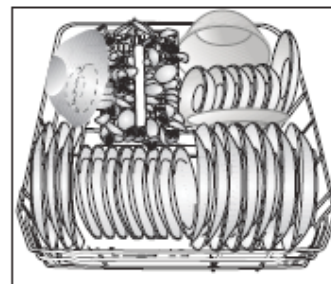
- À cause du risque de blessure, les grands couteaux et autres ustensiles à bouts et bords tranchants doivent être placés à l'horizontale dans le panier supérieur. Placez les autres petits couteaux et ustensiles dans le panier à couvert en orientant le côté tranchant vers le bas.
- Soyez extrêmement prudent lors du retrait des couteaux et autres ustensiles tranchants du lave-vaisselle. Ces objets peuvent avoir changé de position lors du programme de lavage et peuvent être humides ou glissants.
- Les paniers à tasses sont conçus pour soutenir les gobelets, les verres et les ustensiles de cuisine. Lorsque les paniers à tasses sont dans le lave-vaisselle, ne vous inclinez pas dessus et ne les utilisez pas pour soutenir le poids de votre corps.

- Votre lave-vaisselle possède une configuration de 12 places maximum.
- Placez tous les contenants tels que les gobelets, les tasses et casseroles dans le lave-vaisselle en orientant l'ouverture vers le bas (de façon à recueillir l'eau).
- Les petits objets légers peuvent aller dans le panier supérieur.
- Les objets longs et étroits sont placés au milieu des paniers.
- Placez tous les grands objets très sales dans le panier inférieur.
- Ne placez pas les plats et la cutellerie les uns sur les autres.
- Les verres ne doivent pas se toucher.
- Évitez de gêner le mouvement des bras gicleurs.
- **NE SURCHARGEZ PAS** votre lave-vaisselle et prêtez une attention particulière aux consignes du fabricant concernant les plats qui ne sont pas conçus pour un lave-vaisselle. Vous obtiendrez d'excellents résultats de lavage avec les plats appropriés (mentionnés dans la section suivante) grâce à une utilisation raisonnable de l'énergie.

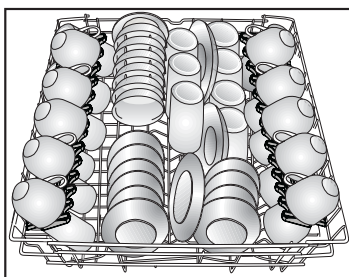
Patrons de chargement supplémentaire



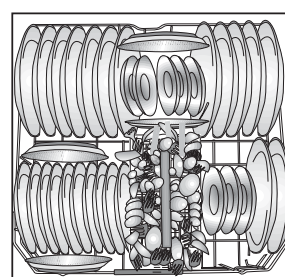
Modèle de chargement du panier supérieur pour 10 places selon



Modèle de chargement du panier inférieur pour 10 places selon



Modèle de chargement du panier supérieur pour 14 place selon internationales

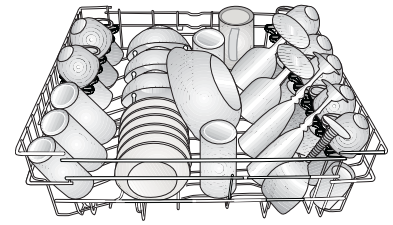


Modèle de chargement du panier inférieur pour 14 place selon internationales

Ajustements du panier

Panier supérieur

Chargez le panier supérieur d'assiettes à dessert, de tasses, verres, etc.

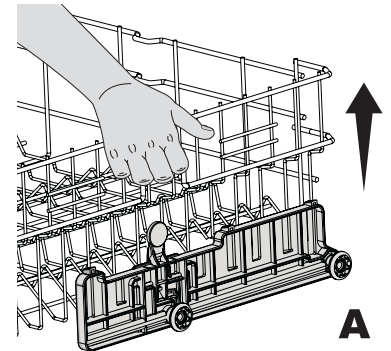


Réglage de la hauteur variable

Le panier supérieur est équipé d'un mécanisme de levage qui vous permet de modifier la hauteur du panier même s'il est entièrement chargé sans avoir à le déposer du lave-vaisselle.

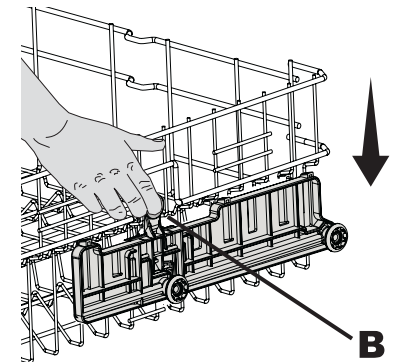
Levage du panier supérieur

- Pour élever le panier supérieur vers un niveau supérieur, maintenez-le sur un côté et tirez-le vers le haut **A**.
- Pour soulever le côté opposé du panier, maintenez-le et soulevez-le vers le haut de la même manière.



Pour Abaisser le panier supérieur

- Pour abaisser le panier supérieur, maintenez et appuyez sur le levier de la grille d'un côté et abaissez soigneusement le panier sans relâcher le levier **B**.
- Répétez la procédure avec le levier sur le côté opposé du panier.



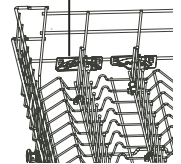
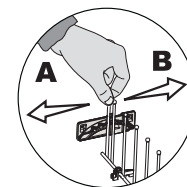
⚠ REMARQUE

Assurez-vous que les deux leviers atteignent la même hauteur.

Dents de levage

Le panier supérieur comporte des dents de levage qui vous offre plus d'espace pour contenir les verres et les tasses.

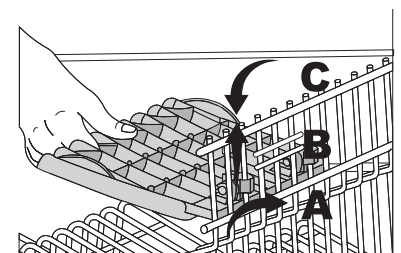
- Tirez simplement la première dent de pliage avant, déplacez-la de la gauche **A** vers la droite **B** pour changer de position. Les dents sont également étendues à plat.



Grilles réglables

En fonction de la taille des verres et des tasses, la hauteur de la grille peut être réglée.

- Pliez la grille vers le haut **A**.
- Positionnement à la hauteur souhaitée **B**.
- Pliez la grille vers le bas **C**.



Ajustements du panier

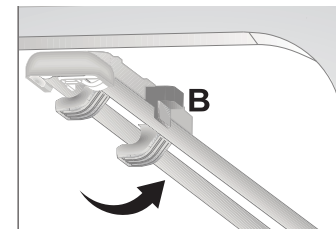
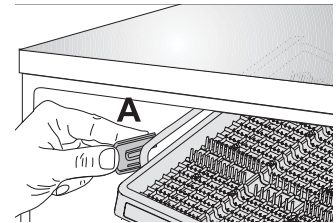
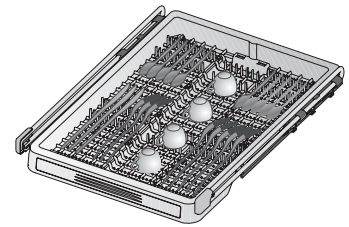
Panier amovible de troisième

Troisième rack amovible est conçu pour petits plats ou plats longs qui ne peut pas s'insérer dans le panier à couverts.

Grâce au facile à emporter, il permet de supprimer les plats de la machine ainsi que de la grille après l'opération de lavage. Puisqu'il peut s'adapter dans tous les tiroirs de taille standard, il n'y a pas besoin d'enlever la vaisselle du panier et rangez-les séparément dans les tiroirs de cuisine ou des étagères.

Si vous ne voulez pas utiliser la grille amovible troisième, couchez-le à vous-même à enlever de la machine, faire pivoter les couvercles de rail A vers dehors et tirez-les vers vous pour les sortir. Après avoir pris la grille en le soulevant vers le haut, retirer la partie de transporteur des rails en le tirant vers vous. Remplacer les couvercles de rail et de les repousser à leur siège dans leurs lieux. Tourner les rails à l'intérieur à l'extérieur la machine B à leur siège correctement à leur place.

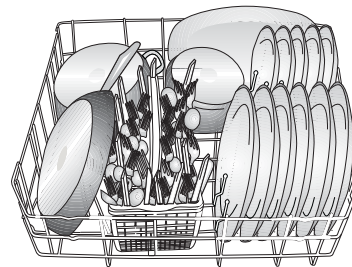
Afin de remettre le panier amovible troisième à sa place, répéter les mêmes traiter dans l'ordre inverse.



Panier inférieur

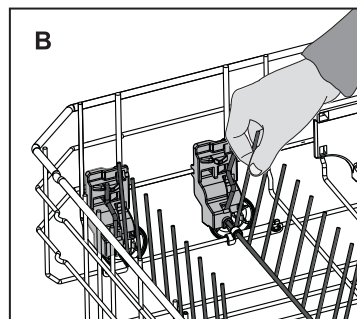
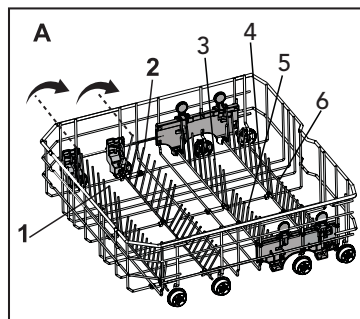
Utilisez le panier inférieur pour les plats, les bols et les casseroles, etc.

- Pliez la grille vers le haut A.
- Positionnement à la hauteur souhaitée B.
- Pliez la grille vers le bas C.



Dents réglables du panier inférieur

Les dents pliables à six pièces (A) situées dans le panier inférieur de la machine sont conçues pour une installation plus facile de grands couverts tels que les poêles, les bols, etc. Vous pouvez créer des espaces plus grands en pliant chaque panier ou tous les paniers à la fois.



⚠ REMARQUE

Portant les dents à la position horizontale en les tenant entre la pointe pourrait les faire plier. Par conséquent, ajuster les dents en les tenant de leurs tiges et en poussant dans le sens de la flèche.

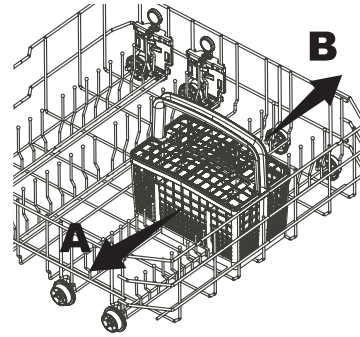
⚠ REMARQUE

Lorsque vous avez terminé, testez le bras gicleur pour vous assurer qu'il peut se déplacer librement.

Chargement approprié et inapproprié

Panier à couvert coulissant

Conçu pour faciliter l'installation des plats en fonction de leur dimension, le panier à couvert coulissant peut glisser sur les dents du côté gauche A vers le côté droit B.

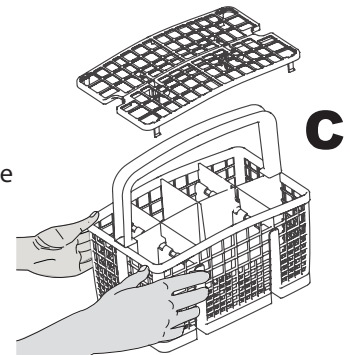


Utilisez l'encastrement du panier C pour vos couverts de sorte que tous les objets contenus dans le panier reçoivent un débit d'eau suffisant.

Pour les objets plus grands, vous pouvez retirer l'encastrement du panier (par ex. le fouet) C. Soulevez simplement le panier.

Pour faciliter le levage, vous pouvez retirer le panier à couvert. Sortez simplement le panier en le soulevant.

Placez les longs objets tels que les louches, les cuillères de cuisine, etc., sur la grille du panier supérieur.

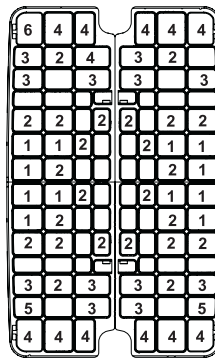


⚠ REMARQUE

Lorsque vous avez terminé, testez le bras gicleur pour vous assurer qu'il peut se déplacer librement.



1. Fourchette à salade
2. Cuillère à thé
3. Fourchette de table
4. Poignée de couteau – solide
5. Cuillère à servir
6. Fourchette de service



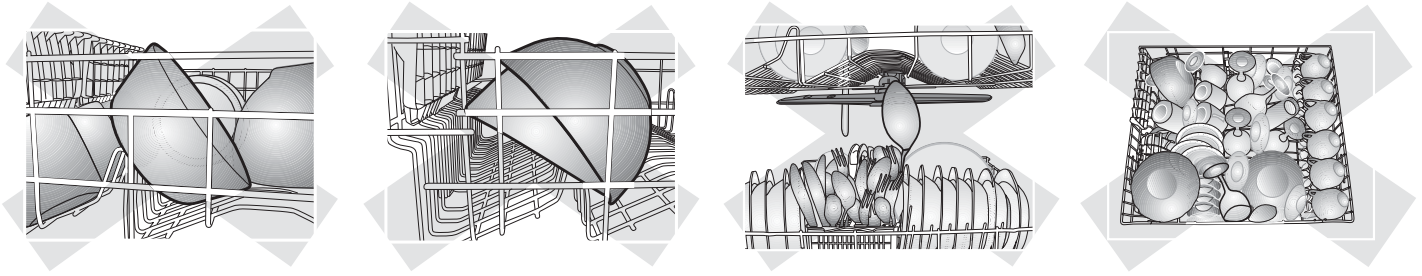
Panier à couvert coulissant
Modèle de chargement pour 12
places selon les normes
AHAM DW-1

⚠ REMARQUE

- Placez tous les grands objets très sales dans le panier inférieur.
- Placez tous les contenants tels que les tasses, les verres et casseroles dans le lave-vaisselle en orientant l'ouverture vers le bas (de façon à recueillir l'eau).
- Évitez de gêner le mouvement des bras gicleurs.
- Ne surchargez pas le lave-vaisselle. Ne placez pas les plats et la cutellerie les uns sur les autres. Les verres ne doivent pas se toucher.
- Vous obtiendrez d'excellents résultats de lavage avec les plats appropriés (décrits à la page 6) grâce à une utilisation raisonnable de l'énergie.

Chargement approprié et inapproprié

Chargement inapproprié



⚠ REMARQUE

Ce que vous ne devez pas laver dans votre lave-vaisselle

- Les pièces en acier sensibles à la rouille comme le fer et la fonte susceptibles de rouiller et de tâcher les autres ustensiles, d'endommager la doublure en acier inoxydable du lave-vaisselle et d'annuler la garantie. **NE LAVEZ PAS** les objets en cuivre, en laiton, en étain ou en bronze.
- La coutellerie avec des poignées en bois ou en forme de corne, en nacre ou en porcelaine se détériore avec le temps si vous la mettez dans le lave-vaisselle.
- Les objets plastiques peuvent perdre leur forme ou leur couleur à cause de l'eau chaude, suivez les consignes des fabricants de plastiques. Assurez-vous que les objets plastiques portent la mention « lavables au lave-vaisselle ».
- Les plats ou la coutellerie collés ne sont pas appropriés pour le lavage en machine étant donné que les adhésifs peuvent se ramollir ou se dissoudre avec l'eau chaude.
- L'aluminium peut s'estomper avec le temps. Les minéraux contenus dans l'eau et le détergent peuvent provoquer le noircissement de l'aluminium ou causer des tâches.
- Ne lavez pas les objets en argent fin dans le lave-vaisselle car le détergent du lave-vaisselle a tendance à les décolorer et à rendre ternes.
- L'argenterie et les objets en acier inoxydable ne doivent se toucher les uns les autres. Le mélange de ces objets peut provoquer la formation de taches. Retirez ces ustensiles et lavez-les à la main dès la fin du programme.
- Les verres décorés, la porcelaine, la porcelaine fine et à rebords dorés sont sensibles au lavage en machine. Ils peuvent perdre leurs motifs et leurs couleurs avec le temps.
- Le cristal et la verrerie très fine peuvent devenir opaques (gravés), perdant ainsi leur brillance avec le temps. Il est préférable de les laver manuellement.
- **NE LAVEZ PAS** les éponges et les lavettes dans le lave-vaisselle.
- **NE LAVEZ PAS** les objets d'art et d'artisanat dans le lave-vaisselle.
- Les plastiques et l'aluminium jetables ne peuvent pas supporter de fortes températures ; **NE LES LAVEZ PAS** dans le lave-vaisselle.

⚠ ATTENTION

- Si vous avez des doutes, suivez les consignes du fabricant d'ustensiles, de plats, de verres, de casseroles et de poêles.
- Ne lavez pas les objets souillés par la cendre des cigarettes, la cire des bougies, le vernis, les peintures ou les produits chimiques vu qu'ils peuvent endommager le lave-vaisselle.

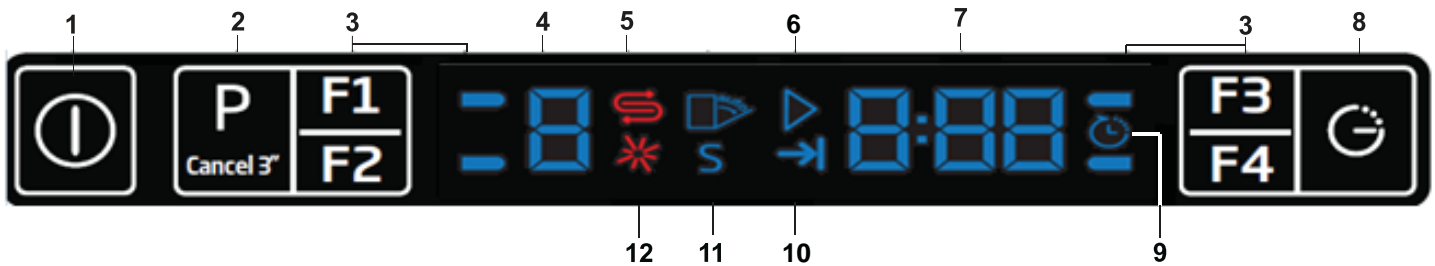
⚠ REMARQUE

Lors de l'achat de nouveaux ustensiles, nous recommandons de choisir ceux qui sont adaptés au lavage en machine (portant la marque lavable au lave-vaisselle).

Nettoyage de votre vaisselle

La combinaison de hautes températures et de détergents pour lave-vaisselle peut endommager certains objets si vous les passez au lave-vaisselle. Rappelez-vous qu'en cas de doute sur un aspect quelconque concernant les objets à laver dans le lave-vaisselle, vous devez suivre les consignes du fabricant ou laver ces objets à la main.

Fonctionnement du lave-vaisselle



- | | |
|--|---|
| 1. Bouton marche/arrêt | 5. Témoin du niveau de sel |
| 2. Bouton Sélection de programme / programme Annuler | 6. Témoin Démarrer/Annuler |
| 3. Bouton de Fonction/ Témoin | 7. Témoin de temps restant / de programme |
| F1 Demi-charge | 8. Bouton de temporisation |
| F2 Désinfection | 9. Témoin de temporisation |
| F3 Haute brillance | 10. Témoin Fin du programme |
| F4 Lavage intense | 11. Témoin de désinfection |
| 4. Témoin de programme | 12. Témoin du niveau de rinçage |

- Ouvrez la porte et chargez le lave-vaisselle.
- Assurez-vous que les bras gicleurs se déplacent librement.
- Versez la quantité appropriée de détergent dans le distributeur de détergent et fermez le couvercle.
- Poussez le bouton marche/arrêt 1 et vérifiez que les lampes de l'affichage s'allument.
- Vérifiez le témoin du niveau du produit de rinçage 12. Si nécessaire, remplissez à nouveau le produit de rinçage.
- Vérifiez le témoin du niveau de sel 5. Si nécessaire, remplissez le sel (sélectionner les modèles).
- Utilisez le bouton 2 Sélection du programme pour choisir un programme de lavage.
 - Lorsqu'il y a quelques plats, utilisez en outre la fonction demicharge (F1).
 - Sélectionnez d'autres fonctions que vous souhaitez.
- Lancez le programme à l'aide du bouton Démarrage/Pause/Annuler.
- Fermez la porte et le programme démarre.
- À la fin du programme de lavage, un bip électronique retentit et continue toutes les 10 secondes. Après deux minutes de temps écoulé, le son s'arrête. Vous pouvez également arrêter le bip en ouvrant la porte ou en appuyant sur le bouton marche/arrêt 1.
- Appuyez sur le bouton marche/arrêt 1 et ouvrez la porte à la fin du programme. Les lampes témoin s'éteignent.
- Laissez les plats refroidir pendant 15 minutes, la porte ouverte.
- Déchargez les plats. Commencez par le panier inférieur.

Plancher d'éclairage indicateur

Du lave-vaisselle s'allume la parole au cours de l'opération de lavage. La lumière s'éteint automatiquement à la fin de l'opération de lavage. Remarque : Lorsque le programme de lavage commence, la fonctionnalité de témoin lumineux s'active automatiquement et s'arrête automatiquement à la fin du cycle. Cette fonction est une option qui ne peut pas être désactivée par le consommateur.

⚠ ATTENTION

De la vapeur chaude peut s'échapper! Risque de brûlures graves ou d'autres blessures.

⚠ ATTENTION

Évitez d'ouvrir la porte pendant le cycle de lavage. Cela interrompt le processus de lavage et la vapeur chaude s'échappe. La vapeur chaude peut entraîner des brûlures et de graves blessures. Lorsque la porte fermée, le programme continue.

Fonctionnement du lave-vaisselle

Série 3

TABLEAU DU PROGRAMME									
Numéro du programme	0	1	2	3	4	5	6	7	8
Nom du programme	TubClean	Casseroles et pêles plus	Casseroles et pêles	Auto	CombiClean	Lavage régulier*	Porcelaine/cristal	Lavage rapide	Rincer/attendre
Températures de lavage	72 (°C) 160 (°F)	70 167	70 158	55 131	55 131	50-55 122-131	50 122	45 113	0 0
Températures de rinçage	70 (°C) 140 (°F)	75 158	70 158	61-67 142-157	66 151	61-67 142-157	65 149	55 131	0 0
Degré de saleté	-	Fort	Fort	Moyen - Fort	Moyen	Moyen	Quelques	Quelques	-
Détergent dans le Distributeur	-	-	-	-	-	-	-	-	-
	+	+	+	+	+	+	+	+	-
	+	+	+	-	+	+	-	-	-
Section Recommandé Distributeur	40	40	40	25-40	40	25-40	25	15-25	-
	8	8	8	5-8	8	5-8	5	3-5	-
Section	-	40	40	15-40	40	25	15-25	15	-
	-	8	8	3- 8	8	5	3-5	3	-
	-	25-40	25-40	15-40	25-40	15-25	15	15	-
	-	5-8	5-8	3-8	5-8	3-5	3	3	-
Laver	-	+	+	+	+	+	+	+	+
Lavage principal	-	+	+	+	+	+	+	+	-
Sec	-	+	+	+	+	+	+	-	-
Désinfecter	-	+	+	+	-	+	-	-	-
Durée (Minutes)	75	120	101	100-155	182	100-155	65	35	12
						CFDW302			
Eau (Litres)	14.4	20.2	16.2	9.0-21.2	19.2	9.0-21.2	11.8	11.6	4.4
Eau (Gallons)	3.80	5.34	4.28	2.38-5.55	5.02	2.38-5.55	3.10	3.10	1.20

Les valeurs de consommation indiquées dans le tableau ont été définies dans les conditions d'utilisation standard. Pour cette raison, les déviations sont possibles dans les conditions d'utilisation pratique.

* L'étiquette de consommation d'énergie est basée sur ce programme.

Fonctionnement du lave-vaisselle

Série1

		TABLEAU DU PROGRAMM						
Numero du programme		0	1	2	3	4	5	6
Nom du programme		TubClean	Casserolles et peles plus	Casserolles et peles	Lavage régulier*	DailyWash	Lavage rapide	Rincer/attendre
Températures de lavage	(°C)	72	70	70	50-55	60	45	0
	(°F)	160	167	158	122-131	140	113	0
Températures de rinçage	(°C)	70	75	70	61-68	70	55	0
	(°F)	140	158	158	142-154	158	131	0
Degré de saleté		-	Fort	Fort	Moyen	Moyen	Quelques	-
Détergent dans le Distributeur	15 ml	-	-	-	-	-	+	-
	15-25 ml	+	+	+	+	+	-	-
	+ 5 ml	+	+	+	+	+	-	-
Section Recommandé Distributeur	Dure Eau ml	40	40	40	25-40	25-40	15-25	-
	tsp	8	8	8	5-8	5-8	3-5	-
	Moyen Eau ml	-	40	40	25	25	15	-
	tsp	-	8	8	5	5	3	-
Douce Eau	ml	-	25-40	25-40	15-25	15-25	15	-
	tsp	-	5-8	5-8	3-5	3-5	3	-
Laver		-	+	+	+	-	-	+
Lavage principal		-	+	+	+	+	+	-
Sec		-	+	+	+	+	-	-
Desinfecter		-	+	+	+	+	-	-
Durée (Minutes)		75	120	102	90-135	100	35	12
					CFDW103			
Eau (Litres)		14.4	20.2	16.2	11.6-19.0	19	11.6	4.4
Eau (Gallons)		3.80	5.34	4.28	2.38-5.55	5.00	3.10	1.20

Les valeurs de consommation indiquées dans le tableau ont été définies dans les conditions d'utilisation standard. Pour cette raison, les déviations sont possibles dans les conditions d'utilisation pratique.

* L'étiquette de consommation d'énergie est basée sur ce programme.

Fonctionnement du lave-vaisselle

Boutons de fonction

La combinaison de hautes températures et de détergents pour lavevaisselle peut endommager certains objets si vous les passez au lavevaisselle. Rappelez-vous qu'en cas de doute sur un aspect quelconque concernant les objets à laver dans le lave-vaisselle, vous devez suivre les consignes du fabricant ou laver ces objets à la main.



Bouton marche/arrêt

Mettez le lave-vaisselle en marche à l'aide du bouton marche/arrêt. Lorsque vous appuyez sur le bouton marche/arrêt, le voyant s'allume et illumine l'affichage pendant le poste. Les lumières seront éteintes automatiquement en position OFF.



Bouton de sélection du programme / programme Annuler

Appuyez sur ce bouton jusqu'à ce que le programme souhaité apparaisse sur l'afficheur. Pour annuler le programme, ouvrez la porte, appuyez et maintenez le bouton de sélection de programme/Cancel pendant 3 secondes. Après 2-3-1 compte à rebours, 0:01 s'affiche. Fermez la porte et attendez que le processus de vidange termine. Vidange est réalisée en 2 minutes et le lave-vaisselle donnera un bip électronique une fois terminé.

Fonction

Si vous appuyez sur les boutons de fonction, (F1, F2, F3, F4), au cours de la sélection de programme ou temps retard, un bip électrique sera émis sous réserve que la fonction est prise en charge par le programme sélectionné. Pour annuler la fonction sélectionnée, maintenez la touche de fonction enfoncée jusqu'à ce que le témoin est allumé n'est plus.



Fonction demi-charge (F1)

Si vous voulez utiliser votre machine sans la charger entièrement, placez vos plats dans la machine comme vous le souhaitez. Appuyez sur le bouton marche/arrêt pour mettre votre machine en marche. Sélectionnez le programme désiré et appuyez sur la touche de fonction de la charge de la moitié (F1). La moitié témoin de charge s'allume sur l'affichage, fermez la porte de votre machine pour démarrer le programme. Grâce à l'option demicharge, vous pouvez utiliser chaque partie de vos paniers inférieur et supérieur et économiser de l'eau et de l'énergie.



Fonction Désinfecter

La fonction Désinfecter augmente la température de l'eau au rinçage final pour répondre aux exigences de la norme NSF/ANSI 184 des lave-vaisselles résidentiels. Les lave-vaisselles résidentiels ne sont pas conçus pour des établissements de restauration homologués.

Sélectionnez le programme désiré et appuyez sur la touche de fonction de désinfecter (F2). La touche F2 s'allume sur l'écran, fermez la porte pour démarrer le programme

à la fin d'une sanitization réussie, « S » s'affiche. Le « S » s'affichera pas si le cycle est interrompu ou que l'eau n'a pas pu être chauffée à la température énoncées.

Remarque : Seuls cycles de désinfection ont été conçus pour répondre aux exigences de 6 pour l'efficacité de retrait et assainissement du sol. Il n'y a aucune intention, directement ou indirectement, que tous les cycles ont passé les tests de performances de nettoyage.



Fonction haute brillance (F3) (3 séries seulement)

Fournit des performances supérieures de séchage



Fonction de lavage intense (F4) (3 séries seulement)

La roue de lavage Intense se trouve sous le rotor inférieur et contribue fortement à laver sale placé de plats dans la partie droite du panier inférieur. Meilleurs résultats sont obtenus lorsque plus de vaisselle sale est placés sur le côté droit.

⚠ AVERTISSEMENT

La fonction sélectionnée reste active pendant le programme de lavage suivant. Si vous ne voulez pas utiliser ces fonctions pendant le nouveau programme sélectionné, appuyez sur le bouton fonction jusqu'à la désactivation du témoin de la fonction correspondante.

Fonctionnement du lave-vaisselle



Témoin de temps restant/témoin de temporisation

Vous pouvez suivre la durée du programme restant à partir de l'affichage du témoin de temps.



Bouton de mise en marche automatique

Cette option vous permet de démarrer le programme sélectionné avec un délai de 1 à 24 heures.

- Pour régler le délai, appuyez sur le bouton de temporisation (appuyez plusieurs fois).
- Après le réglage du délai, appuyez sur le bouton Démarrage/Pause/Annuler.
- Fermez la porte. À la fin du délai fixé, le programme démarre automatiquement.

⚠ REMARQUE

Pendant un programme de lavage, l'option de mise en marche automatique ne fonctionne pas.

Annulation d'une fonction

Pour annuler le programme, ouvrez la porte, appuyez et maintenez le bouton de sélection de programme/ programme annuler 3 secondes. Après 2-3-1 compte à rebours, 0:01 s'affiche. Fermer la porte et attendre que le processus de vidange termine. Vidange est réalisée en 2 minutes et le lave-vaisselle donnera un bip électronique une fois terminé.

⚠ AVERTISSEMENT

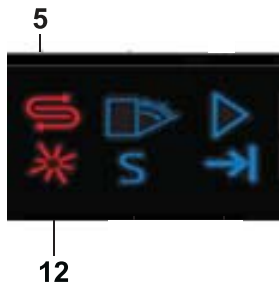
En fonction de l'étape du programme annulé, des résidus de détergent ou de produit de rinçage peuvent encore se trouver à l'intérieur de la machine et sur les plats. Assurez-vous que les objets présents dans le lave-vaisselle sont bien lavés avant d'être utilisés. L'ingestion ou l'inhalation du détergent ou du produit de rinçage peut causer de graves blessures. Évitez tout contact avec la peau et les yeux et tenez les enfants ainsi que les personnes en mauvaise santé à distance de ces matières.

Modification du volume du témoin sonore

- Après avoir activé le lave-vaisselle, appuyez simultanément sur les boutons de temporisation et P. Garder enfoncé jusqu'à ce que le compte à rebours 3-2-1 a été effectuée sur l'écran.
- Le bouton Appuyez sur P pour activer la position S:.
- Chaque pression sur le bouton de temporisation, il va changer le volume sonore d'avertissement comme "S: 0", moyen de "S: 1" et "S:2" haute.
- Éteignez le lave-vaisselle avec le bouton On/Off pour enregistrer les modifications.

Remarque : Par défaut est "S:2".

Fonctionnement du lave-vaisselle



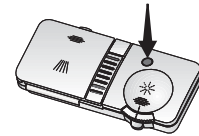
DEL témoin du niveau du produit de rinçage (12)

Si cette lampe témoin s'allume, vous devez remplir le produit de rinçage. Vous pouvez également déterminer si le produit de rinçage doit être rempli en observant le distributeur de produit de rinçage. Lorsque le témoin de remplissage visuel est noir, le distributeur contient suffisamment de produit de rinçage.

DEL témoin du niveau de sel (5)

Lorsque cette lampe témoin s'allume, vous devez remplir le sel spécial. Utilisez uniquement du sel spécial pour lave-vaisselle dans votre machine pour adoucir l'eau.

Témoin visuel



Sombre : Produit de rinçage insuffisant
Clair : Remplir le produit de rinçage

Détergent et distributeur d'Agent de rinçage

Remplissage du distributeur

⚠ AVERTISSEMENT

- Conservez toujours votre détergent dans un endroit frais, sec et hors de portée des enfants.
- Assurez-vous que le distributeur de détergent est vide à la fin de chaque programme de lavage.
- Les détergents pour lave-vaisselle peuvent être dangereux s'ils sont inhalés ou avalés. Évitez tout contact avec la peau et les yeux et tenez les enfants ainsi que les personnes en mauvaise santé à distance du lave-vaisselle lorsque la porte est ouverte. Consultez immédiatement un médecin en cas d'inhalation ou d'ingestion du détergent.

⚠ REMARQUE

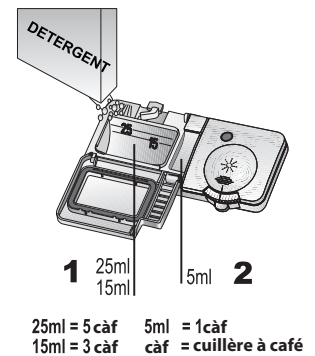
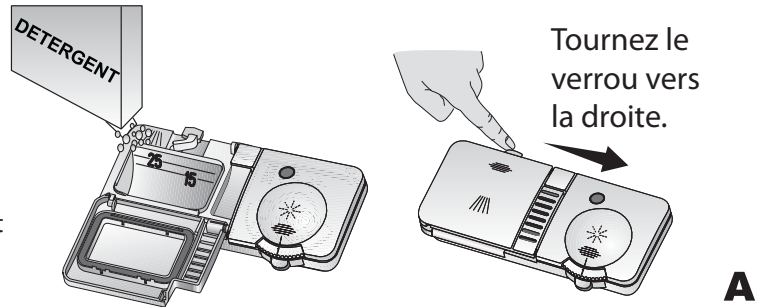
- Utilisez uniquement des détergents adaptés pour lave-vaisselles.
- N'UTILISEZ PAS de détergent pendant le cycle Rinçage/Attente.
- N'OUBLIEZ PAS de verser/mettre du détergent dans le distributeur avant de mettre la machine en marche.
- L'excès de détergent peut signifier que le détergent ne se dissout pas correctement et les plats pourraient s'écrafler.
- L'excès de détergent dans l'eau douce peut provoquer la corrosion du verre. N'UTILISEZ PAS trop de détergent si l'alimentation en eau est douce.

Si vous ne connaissez pas le niveau de dureté de votre eau, utilisez 15 ml/3 tsp. de détergent. Augmentez la quantité de détergent si vous constatez des marques d'eau blanches, surtout à la surface de la verrerie.

Pour connaître le niveau de dureté de votre eau, renseignez-vous auprès de votre service local d'approvisionnement en eau, de l'entreprise en charge de l'adoucissement de l'eau ou de l'agent de vulgarisation de votre région.

Fonctionnement du lave-vaisselle

- Ouvrez la boîte de détergent en poussant le verrou vers la droite A.
- Verser/mettre du détergent dans le distributeur.
- Fermer le couvercle jusqu'à ce qu'il fasse un déclic.
- La boîte de détergent a une capacité totale de 40 ml/8 tsp. de détergent
- Les lignes de marquage à l'intérieur de la boîte de détergent permettent de fournir une quantité appropriée de détergent. Lorsque le lave-vaisselle est entièrement chargé et les plats très sales, nous recommandons de remplir la boîte de détergent jusqu'au repère 25 ml/5 tsp. Lorsque les plats sont moins sales, il suffit de remplir généralement la boîte de détergent jusqu'à 15 ml/3 tsp. mark.
- Les quantités de détergent de chaque programme de nettoyage sont indiquées dans le tableau du programme à la page 21.
- Les quantités de remplissage données sont indiquées pour le détergent en poudre standard. Les quantités peuvent varier si vous utilisez un détergent liquide ou concentré en poudre. Placez les tablettes de détergent dans la boîte de détergent 1 avec le couvercle fermé.
- Suivez les instructions inscrites sur l'emballage du détergent lorsque vous utilisez du détergent liquide, du détergent en poudre concentré ou du détergent en tablette pour lave-vaisselle
- Les déviations sont possibles en fonction du degré de saleté des plats et de la dureté de l'eau de votre région.
- Si vos plats sont restés dans le lave-vaisselle un certain temps sans être lavés, faites également le plein de la plus petite boîte 2.



Remplissage du distributeur d'Agent de rinçage

⚠ AVERTISSEMENT

Tenez vos produits de rinçage hors de portée des enfants. L'ingestion ou l'inhalation du produit de rinçage peut causer de graves blessures. Évitez tout contact avec la peau et les yeux et tenez les enfants ainsi que les personnes en mauvaise santé à distance des produits de rinçage.

⚠ REMARQUE

- Utilisez uniquement des agents appropriés pour lave-vaisselles. Les produits de rinçage permettent de nettoyer l'eau de lavage plus proprement et empêchent la formation de filigrane ou de traces sur les plats.
- Si vous utilisez des détergents/tablettes « 2 en 1 » ou « 3 en 1 », vous n'avez pas besoin de produit de rinçage.

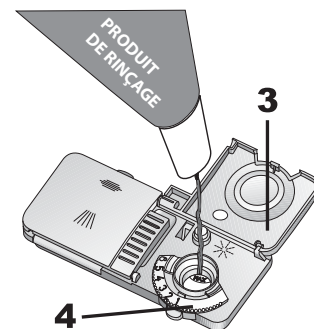
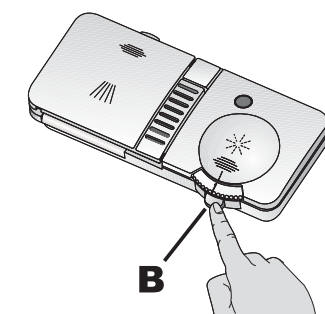
- Ouvrez le distributeur de produit de rinçage en appuyant sur le verrou B.
- Versez lentement le produit de rinçage jusqu'au repère MAX.
- Fermez le couvercle jusqu'à ce qu'il fasse un déclic 3.
- Nettoyez minutieusement le produit de rinçage déversé. L'excès de produit de rinçage provoque la formation excessive de mousse, ce qui peut empêcher le nettoyage.

Définir la dose de produit de rinçage

La dose du produit de rinçage à utiliser peut être définie au moyen du régulateur du distributeur 4 entre les niveaux 1 et 6.

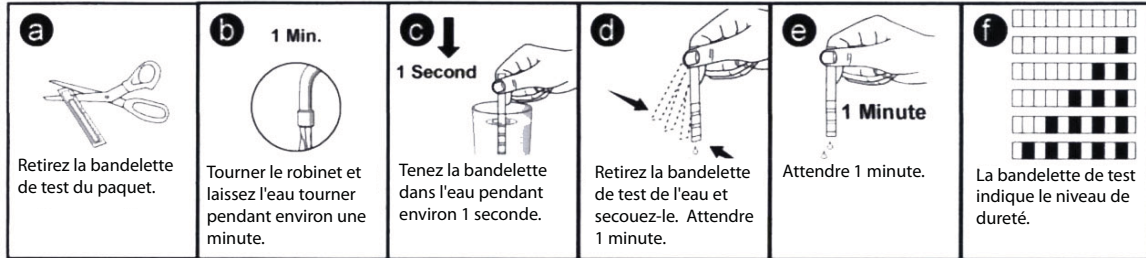
Modifiez le réglage seulement si vous notez les effets suivants :

- Les filigranes sont visibles sur les plats :
Définir un dosage supérieur.
- Les traces sont visibles sur les plats :
Définir un dosage inférieur.



Fonctionnement du lave-vaisselle

Réglage de l'adoucisseur d'eau (modèles sélectionnés)



- Ouvrez la porte du lave-vaisselle pour accéder à l'interface utilisateur (interface utilisateur)
- Allumez l'appareil à l'aide du bouton marche/arrêt à l'extrémité gauche de l'interface utilisateur ; puis relâchez le bouton lorsque l'affichage est activé.
- Dans 15 secondes, appuyez, en même temps pendant 3 secondes, sur les deux boutons de programme/temporisation, l'écran de l'interface utilisateur affichera le compte à rebours de 3-2-1... L'utilisateur est maintenant entré dans le mode de réglage de préférence client.
- L'écran de l'interface utilisateur affichera premièrement L1. Appuyez sur le bouton de programme pour accéder au réglage de préférence client jusqu'à ce que r1 soit affiché.
- Une fois que r1 est affiché, l'utilisateur est entré au réglage de mode de régénération
- La dureté de l'eau peut être réglée au niveau souhaité en appuyant sur le bouton de temporisation (comparez la bande d'essai avec le tableau de degrés de dureté). Le programme approprié s'allume.
- Une fois que l'utilisateur a réglé le niveau de la dureté de l'eau, appuyez sur le bouton de marche/arrêt sur l'interface utilisateur pour enregistrer le réglage.

Nom de l'équipement	Américain	PPM	Français	Témoin de l'affichage Multi-fonction
Définition	1 grain de CaCO ₃ / 1 gal (américain) d'eau (dureté °dE)	1 mg de CaO/ 1 L d'eau	1 mg de CaO/ 1 L d'eau (dureté °dF)	
1er niveau 	0-6	0-80	0-8	Appuyez sur le bouton de temporisation pour faire passer le niveau de dureté de l'eau à la position 1.
2ème niveau 	7-12	81-130	9-13	Appuyez sur le bouton de temporisation pour faire passer le niveau de dureté de l'eau à la position 2.
3ème niveau 	13-18	131-220	14-22	Appuyez sur le bouton de temporisation pour faire passer le niveau de dureté de l'eau à la position 3.
4ème niveau 	19-23	221-270	23-27	Appuyez sur le bouton de temporisation pour faire passer le niveau de dureté de l'eau à la position 4.
5ème niveau 	24-36	271-340	28-34	Appuyez sur le bouton de temporisation pour faire passer le niveau de dureté de l'eau à la position 5.
6ème niveau 	37-47	341-800	35-90	

Fonctionnement du lave-vaisselle

⚠ REMARQUE

- Si le niveau de dureté de l'eau est inférieur à 7 odE Américain ou à moins de 8 odF Français, vous n'avez pas besoin de sel d'adoucissement spécial. Dans ce cas, le témoin de commande du "sel" s'allume en continu.
- Si le niveau de dureté de l'eau dans votre région dépasse 47 odE Américain ou 90 odF Français, vous devez penser à obtenir un dispositif d'adoucissement de l'eau pour le lave-vaisselle. Si vous utilisez de l'eau de ruisseau ou de l'eau de pluie, il est conseillé d'installer des filtres.
- Si la dureté de l'eau est réglée sur le niveau 1, le témoin de commande « sel » s'illumine en continu, bien qu'il ne soit pas nécessaire d'utiliser du sel. Si vous utilisez du sel dans cette situation, le sel ne sera pas consommé et la lampe ne s'allumera pas.
- Si vous déménagez, n'oubliez pas de régler le niveau de dureté de l'eau pour l'adapter à votre nouvel environnement.
- Si le modèle ne dispose pas de distributeur de sel, ignorez cette modification. Le niveau de dureté de l'eau doit être à la position 1.

Remplissage du distributeur de sel du lave-vaisselle

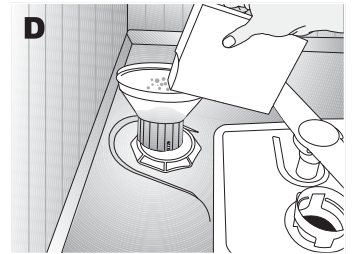
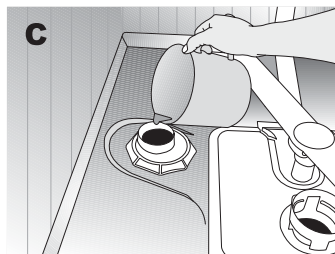
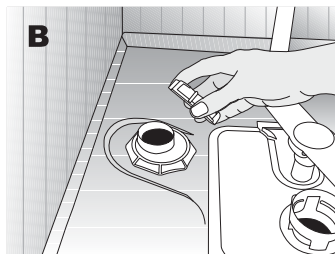
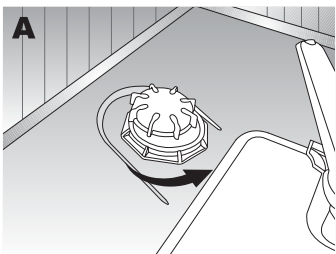
⚠ ATTENTION

N'utilisez jamais de sel de cuisine ou de table. Ces types de sel ne se dissolvent pas facilement dans l'eau et endommagent le dispositif d'adoucissement.

⚠ REMARQUE

- Utilisez uniquement du sel spécial pour lave-vaisselle dans votre machine pour adoucir l'eau.
- N'UTILISEZ PAS de sel à gros grains. Les petits grains ou le sel en poudre se dissout plus facilement.
- Le fabricant n'est pas responsable des dommages causés par l'utilisation d'un type de sel inapproprié.

- Déposez le panier inférieur de la machine.
- Ouvrez le bouchon vissé de la boîte de sel en le tournant en sens antihoraire (Fig. A, B).
- Lors de la première utilisation : versez 1 litre d'eau dans la boîte de sel (Fig. C).
- Versez le sel dans la boîte à l'aide de l'entonnoir à sel fourni (Fig. D). Versez assez de sel dans la boîte. La boîte a une capacité d'environ 2 kg/4,4 livres.
- Fermez hermétiquement le bouchon.



⚠ ATTENTION

Commencez un programme de lavage immédiatement après le remplissage de la boîte de sel. Le programme de lavage empêche que la machine soit endommagée à cause d'un éventuel déversement de solution salée.
Après le premier cycle de lavage, la lampe témoin du niveau de sel s'éteint.

Nettoyage et entretien

⚠ REMARQUE

Le nettoyage de votre lave-vaisselle à des intervalles réguliers garantit une plus longue durée de vie du produit et réduit le risque de problèmes récurrents. Coupez toujours l'alimentation de la machine avant le nettoyage

⚠ AVERTISSEMENT

- Avant de nettoyer ou d'effectuer des travaux de maintenance, débranchez l'appareil, déconnectez la fiche d'alimentation et arrêtez le robinet d'eau.
- NE RÉPAREZ ni ne remplacez aucune pièce du lave-vaisselle et n'essayez pas d'effectuer des travaux d'entretien sauf sur recommandation spécifique du manuel. Nous recommandons de faire réparer le lave-vaisselle uniquement par un agent d'entretien agréé.

⚠ ATTENTION

- Pour éviter tout risque de glissade; gardez le sol autour du lave-vaisselle propre et sec.
- Débarrassez votre appareil de matières combustibles accumulées, tels que les peluches, les chiffons et produits chimiques.
- Si le lave-vaisselle n'est pas utilisé pendant une période prolongée, nous recommandons de vous assurer que les paniers sont vides, de laisser l'intérieur du lave-vaisselle propre, d'ouvrir partiellement la porte pour permettre la circulation de l'air et de couper l'alimentation électrique et en eau.

Nettoyage de l'extérieur du lave-vaisselle

⚠ ATTENTION

Possible endommagement du lave-vaisselle : Les produits de nettoyage abrasifs (serviettes en papier) peuvent endommager la porte du lave-vaisselle.

Nettoyage du panneau de commande

Utilisez un chiffon doux légèrement humidifié avec un détergent doux. Nettoyez le panneau de commande uniquement à l'aide d'un chiffon humide et à l'eau propre.

Nettoyage des portes colorées

Utilisez un chiffon léger légèrement humidifié avec un détergent doux.

Nettoyage des portes en acier inoxydable

Utilisez un chiffon doux et un produit conçu pour le nettoyage de l'acier inoxydable. Pour de meilleurs résultats, appliquez un produit de nettoyage pour acier inoxydable à un chiffon doux et essuyez la surface dans le sens du grain.

Nettoyage du joint d'étanchéité

Nettoyez régulièrement le joint d'étanchéité à l'aide d'un chiffon humide pour retirer les particules alimentaires et autres débris. Utilisez un produit de nettoyage domestique doux pour l'extérieur et les joints d'étanchéité et rincez à fond.

Nettoyage de l'intérieur du lave-vaisselle

⚠ ATTENTION

Lors du nettoyage du dessous du filtre principal, soyez prudent avec les bords extérieurs tranchants pour éviter tout risque de blessure de type coupure.

⚠ AVERTISSEMENT

Si votre lave-vaisselle est doté d'éclairage intérieur, remplacement doit être effectué par un réparateur autorisé.

Nettoyage et entretien

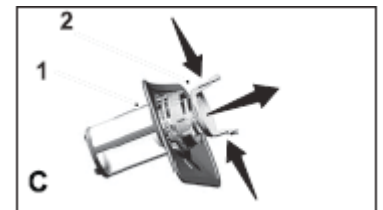
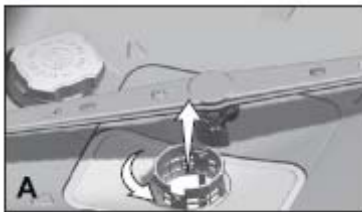
Nettoyage des filtres

Nettoyez régulièrement les filtres et les bras gicleurs. Vérifier si les résidus d'aliments restent sur les filtres. S'il y a des débris d'aliments sur les filtres, sortez les et propre bien sous l'eau courante. Un lave-vaisselle sale a un effet négatif sur les résultats de lavage.

⚠ ATTENTION

N'UTILISEZ PAS le lave-vaisselle sans filtre. Vous allez endommager votre machine. Assurez-vous que vos filtres sont correctement installés.

- Déposez le panier inférieur de la machine.
- Tournez le filtre dégrossisseur en sens antihoraire vers la gauche et retirez-le par un mouvement vers le haut A.
- Retirez le filtre en métal/plastique (3) de l'allocation des places B
- Appuyez sur les deux onglets du filtre dégrossisseur et déposez le micro filtre C.
- Nettoyez les filtres à fond sous une eau courante. Utilisez une brosse si nécessaire.
- Remplacez le filtre en métal/plastique.
- Remplacer le filtre grossier dans le microfiltre. Assurez-vous qu'il est bien calé. **Remarque :** Un positionnement Incorrect des filtres réduira l'efficacité de lavage.
- Tournez-le en sens horaire jusqu'à ce qu'il se bloque en faisant un déclic.



Nettoyage des bras gicleurs

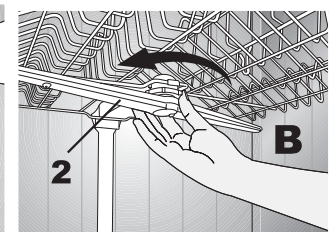
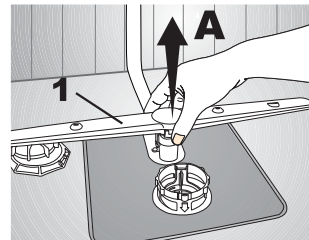
⚠ REMARQUE

Des impuretés et/ou des résidus de calcium peuvent obstruer les embouts des bras gicleurs. Pour cette raison, vérifiez régulièrement les bras gicleurs.

1 Bras gicleur inférieur

2 Bras gicleur supérieur

- Déposez le panier inférieur de la machine.
- Retirez le bras gicleur inférieur par un mouvement vers le haut A.
- Desserrez la vis de fixation du bras gicleur supérieur et retirez le bras gicleur B par un mouvement vers le bas.
- Nettoyez les bras gicleurs sous l'eau courante.
- Remplacez le bras gicleur inférieur en faisant un mouvement vers le bas.
- Remplacez le bras gicleur supérieur et serrez la vis de fixation en la tournant vers la gauche.
- Insérez le panier inférieur.

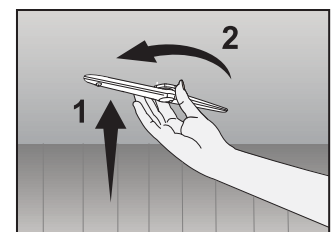


⚠ ATTENTION

S'assurer que la vis de fixation est serrée sur le bras gicleur supérieur

Vérifiez si les trous de la partie supérieure du troisième bras gicleur sont obstrués. S'ils sont obstrués, retirez-les et nettoyez-les.

Pour les retirer, poussez-les légèrement vers le haut (1) et tournez en sens horaire (2). Pour remplacer la turbine, installez-la dans sa fente, poussez légèrement vers le haut et tournez-la en sens horaire jusqu'à ce qu'elle s'insère correctement. Lorsque la turbine est relâchée, vérifiez si elle tourne sans aucune obstruction.



Dépannage

Poor wash results may not always be caused by the dishwasher. Please review the following Troubleshooting Charts for possible remedies. You may find the proper solution without having to call a service provider.

Problème	Cause possible et/ou solution
Le lave-vaisselle ne démarre pas	La machine est-elle branchée? Tous les fusibles sont-ils opérationnels? L'alimentation en eau est-elle entièrement activée? La porte du lave-vaisselle est-elle bien fermée? Avez-vous appuyé sur le bouton marche/arrêt?
Le lave-vaisselle démarre mais ne parvient pas à faire circuler l'eau dans les 5 secondes	Annulez le programme en appuyant sur le bouton Démarrage/Pause pendant 5 secondes.
Et si « S:an » ne s'affiche pas à l'écran?	Le cycle du lave-vaisselle a été interrompu ou l'eau n'atteint pas la température requise.
La porte ne reste pas en position ouverte	Réglez les tension de ressort de porte(modèles à panneaux personnalisés uniquement, voir le guide d'installation).
Les plats ne sont pas secs	Chargement inapproprié : Chargez le lave-vaisselle comme l'indique ce manuel. Distribution insuffisante du produit de rinçage : Augmentez le dosage du produit de rinçage et/ou remplissez le distributeur de produit de rinçage. Les plats sont retirés trop tôt : Ne videz pas le lave-vaisselle immédiatement après le lavage. Ouvrez légèrement la porte pour que la vapeur puisse s'échapper. Commencez par décharger le lave-vaisselle lorsque les plats sont tièdes. Videz d'abord le panier inférieur. Cela empêche l'eau de s'égoutter des plats posés dans le panier supérieur. Sélection du mauvais programme : Dans les programmes courts, la température de lavage est basse et par conséquent le rendement du nettoyage est mauvais. Choisissez un programme ayant une plus longue durée de lavage. Lavage de la cutellerie à surface usée : L'évaporation de l'eau est plus difficile avec ce type d'objets. La cutellerie ou les plats de ce type ne sont pas appropriés pour les lave-vaisselles.
Taches de thé, café ou autres taches	Sélection du mauvais programme : Choisissez un programme de lavage à température plus élevée ou qui dure plus longtemps. Le détergent est humide ou englué dans une boîte : Les javellisants des produits de nettoyage perdent leur efficacité lorsqu'ils sont entreposés dans des conditions défavorables. Conservez les détergents dans un endroit sec. Fermez correctement le couvercle de la boîte. Utilisation de la cutellerie ayant une surface de mauvaise qualité : Le nettoyage de ces objets est rendu difficile par la mauvaise structure de leur surface. La cutellerie ou les plats de ce type ne sont pas appropriés pour le lave-vaisselle.
Plats cassés	Chargement inapproprié. Chargez le lave-vaisselle comme l'indique ce manuel. Paniers surchargés. Ne surchargez pas le panier à vaisselle. Les plats pourraient se heurter et se casser.

Dépannage

Problème	Cause possible et/ou solution
Les plats ne sont pas propres	<p>Chargement inapproprié : Chargez le lave-vaisselle comme l'indique ce manuel.</p> <p>Sélection du mauvais programme : Choisissez un programme de lavage à température plus élevée ou qui dure plus longtemps.</p> <p>Les bras gicleurs ne tournent pas : Vérifiez si les bras gicleurs parviennent à tourner librement.</p> <p>Filtres obstrués : Nettoyez tous les filtres tel que le décrit le manuel.</p> <p>Les filtres ne sont pas placés dans leurs positions appropriées : Vérifiez si tous les filtres sont placés dans leurs positions appropriées.</p> <p>Les embouts des bras gicleurs sont obstrués : Nettoyez les bras gicleurs tel que le décrit le présent manuel.</p> <p>Paniers surchargés : Ne surchargez pas les paniers.</p> <p>Le détergent est humide ou englué dans une boîte : Conservez les détergents dans un endroit sec. Fermez correctement le couvercle de la boîte.</p> <p>Trop peu de détergent: Augmentez la quantité de détergent suivant le tableau du programme.</p> <p>Trop peu de produit de rinçage : Augmentez la quantité du produit de rinçage et/ou remplissez le distributeur.</p> <p>Le couvercle du distributeur de détergent reste ouvert : Assurez-vous de toujours fermer le couvercle du distributeur après avoir versé du détergent.</p> <p>Lavage de la cutellerie à surface usée : La cutellerie de ce type n'est pas appropriée pour les lave-vaisselles.dishwashers.</p>
Traces de calcium, aspect brumeux	<p>Distribution insuffisante du produit de rinçage : Augmentez le dosage du produit de rinçage et/ou remplissez le distributeur de produit de rinçage.</p> <p>La dureté n'est pas correctement sélectionnée ; trop peu de sel utilisé : Appelez le fournisseur d'eau et demandez le niveau de dureté de l'eau dans votre région en grains par litre ou ppm.</p> <p>Perte de sel (modèles avec boîte de sel) : Vérifiez si le couvercle de la boîte de sel est hermétiquement fermé. Utilisez un entonnoir pour verser le sel spécial. Commencez le programme Rinçage et Attente juste après le remplissage du sel. À la fin du programme, vérifiez si le couvercle ne s'est pas desserré.</p>
Dégradation des verres, des motifs de porcelaine	<p>Dégradation de la décoration sur les verres et la porcelaine : Les verres, la porcelaine et la cutellerie de ce type ne sont pas appropriés pour le lave-vaisselle.</p>

Dépannage

Problème	Cause possible et/ou solution
Odeur	<p>Odeur de la nouvelle machine : L'odeur de la nouvelle machine disparaît après quelques cycles de lavage au détergent.</p> <p>Les filtres sont sales : Nettoyez tous les filtres tel que le décrit le manuel.</p> <p>Les plats sales qui restent dans la machine quelques jours sans être lavés : Nettoyez les impuretés coriaces sous l'eau courante et exécutez le programme Rinçage et Attente tous les deux jours sans détergent.</p> <p>Joint d'étanchéité sale : Nettoyez régulièrement le joint d'étanchéité à l'aide d'un chiffon humide pour retirer les particules alimentaires et autres débris. Utilisez un produit de nettoyage domestique doux pour l'extérieur et les joints d'étanchéité et rincez à fond.</p>
Aspect laiteux ou reflet d'arc-en-ciel sur les verres (corrosion du verre)	<p>Utilisation excessive du détergent lorsque la dureté de l'eau est faible :</p> <ul style="list-style-type: none"> • Ajoutez une petite quantité de détergent. • Comparez le réglage du niveau de dureté de l'eau sur le lave-vaisselle avec les valeurs indiquées par votre fournisseur local d'eau. • Lorsque la dureté de l'eau est basse (inférieure à 7 degrés de dureté ou 106 parties par million), N'UTILISEZ PAS de sel même si votre lavevaisselle possède un adoucisseur d'eau.
Tâches de rouille, destruction de la surface	<p>Le couvercle de la boîte de sel n'est pas correctement fermé. Perte de sel (modèles avec boîte de sel) :</p> <ul style="list-style-type: none"> • Le sel peut détruire les surfaces métalliques et provoquer la rouille ainsi que des dommages. • Vérifiez si le couvercle de la boîte de sel est hermétiquement fermé. Utilisez un entonnoir pour verser le sel spécial. Commencez le programme Rinçage et Attente juste après le remplissage du sel. À la fin du programme, vérifiez si le couvercle ne s'est pas desserré. <p>Les résidus alimentaires restent trop longtemps sur les plats : Nettoyez les impuretés coriaces sous l'eau courante et exécutez le programme Rinçage et Attente tous les deux jours sans détergent.</p> <p>La machine n'est pas correctement mise à la terre : Vérifiez la mise à la terre du circuit. L'électricité statique risque de ronger le métal en formant des trous et de provoquer des dégâts irréparables aux surfaces.</p> <p>Coutellerie à base d'acier à faible teneur d'antirouille : Il est impossible d'éviter l'apparition de rouille sur de tels objets. La coutellerie ou les plats de ce type ne sont pas appropriés pour le lave-vaisselle.</p> <p>Plats tachetés de rouille : Les plats rouillés risquent « d'infecter » d'autres objets La coutellerie ou les plats de ce type ne sont pas appropriés pour le lave-vaisselle.</p>
De l'eau reste dans la machine après le cycle de rinçage	<p>Nettoyez tous les filtres tel que le décrit le manuel. Assurez-vous que le tuyau d'évacuation est bien placé et ouvert.</p>
Mousse	<p>Les plats sont prélavés à la main avec une grande quantité de détergent : Il n'est pas nécessaire de prélever les plats. Vous pouvez nettoyer les impuretés résistantes à l'aide d'un chiffon ou rincer les plats sous l'eau courante.</p> <p>Le produit de rinçage a accidentellement fui dans la machine : Si le produit de rinçage s'est déversé lors du remplissage du distributeur, nettoyez-le à l'aide d'un papier tissu ou d'une éponge.</p> <p>Le couvercle du distributeur du produit de rinçage n'est pas correctement fermé. Prenez toujours soin de vous assurer que le couvercle est fermé après le remplissage du distributeur de produit de rinçage.</p>

Dépannage

Problème	Cause possible et/ou solution
Des résidus de détergent restent dans le distributeur.	<p>Présence de moisissure dans le distributeur de détergent. Assurez-vous que le distributeur de détergent est sec avant de le remplir.</p> <p>Le détergent reste trop longtemps dans le distributeur. Versez le détergent dans le distributeur juste avant le lavage.</p> <p>Le couvercle du distributeur de détergent ne s'ouvre pas. Lors du chargement du lave-vaisselle, prenez soin de vous assurer de ne pas bloquer accidentellement la boîte de détergent avec de la vaisselle ou des ustensiles de grande taille.</p> <p>Le détergent est humide ou englué dans une boîte. Conservez les détergents dans un endroit sec. Fermez soigneusement le couvercle de la boîte.</p> <p>Les embouts des bras gicleurs sont obstrués. Nettoyez les bras gicleurs tel que le décrit le présent manuel.</p> <p>Les bras gicleurs sont bloqués par la vaisselle. Assurez-vous que les bras gicleurs pivotent librement.</p> <p>Le cycle s'est-il terminé plus tôt ? Terminer le cycle tôt peut laisser des résidus de détergent dans le distributeur.</p>
Plats éraflés	<p>Plats ou objets faits à base d'aluminium : Les plats et la couellerie de ce type ne sont pas appropriés pour le lave-vaisselle.</p> <p>Le couvercle de la boîte de sel n'est pas correctement fermé. Perte de sel (modèles avec boîte de sel) : Vérifiez si le couvercle de la boîte de sel est hermétiquement fermé. Utilisez un entonnoir pour verser le sel spécial. Commencez le programme Rinçage et Attente juste après le remplissage du sel. À la fin du programme, vérifiez si le couvercle ne s'est pas desserré.</p> <p>La dureté n'est pas correctement sélectionnée ; trop peu de sel utilisé : Appelez le fournisseur d'eau et demandez le niveau de dureté de l'eau dans votre région en grains par litre ou ppm. Ajustez le niveau de dureté de l'eau en conséquence.</p> <p>Les détergents sont conservés dans des conditions défavorables : Ils ne doivent pas être conservés pendant plus de deux mois dans des emballages ouverts. Conservez les détergents dans un endroit sec. Fermez soigneusement le couvercle de la boîte.</p> <p>Paniers surchargés : Assurez-vous que chaque verre et plat ne se touchent pas. Ils pourraient se heurter pendant le processus de lavage, provoquant ainsi des éraflures.</p>

Informations sur l'entretien

Si un entretien est nécessaire, contactez votre l'agence d'entretien autorisée.

Préparez les informations suivantes de manière à ce qu'elles soient facilement disponibles :

- Numéro de modèle
- Numéro de série
- Date d'achat
- Nom du distributeur qui vous a vendu le produit

Décrivez clairement votre problème. Si vous n'arrivez pas à obtenir le nom d'un centre de réparation agréé, ou si les problèmes d'entretien persistent, contactez Viking Range, LLC au 1-888-845-4641, ou écrivez à :

VIKING RANGE, LLC
SERVICE PRIVILÉGIÉ
111 Front Street
Greenwood, Mississippi 38930 É.-U.

Veuillez conserver les informations ci-dessous. Elles vous seront nécessaires en cas d'opération d'entretien. Les numéros de modèle et de série se trouvent sur une étiquette d'identification fixée sur le côté gauche du réservoir. Pour y accéder, ouvrez simplement la porte du lave-vaisselle.

Numéro de modèle _____ Numéro de série _____

Date d'achat _____ Date d'installation _____

Nom du distributeur _____

Adresse _____

Si l'entretien nécessite l'installation de pièces, utilisez uniquement des pièces autorisées pour être couvert par la garantie.

Conservez ce manuel pour référence ultérieure.

Warranty

GARANTIE DU LAVE-VAISSELLE AUTONOME GARANTIE COMPLÈTE D'UN AN

Les lave-vaisselles autonomes et toutes leurs pièces, à l'exception de ce qui est détaillé ci-dessous*, sont garanties contre tout défaut de matériaux ou de fabrication en utilisation résidentielle normale pendant d'un (1) an à partir de la date d'achat d'origine. Le garant, Viking Range, LLC, réparera ou remplacera, à sa discrétion, toute pièce en panne ou défectueuse pendant la période de garantie.

*GARANTIE ESTHÉTIQUE COMPLÈTE DE QUATRE-VINGT-DIX (90) JOURS : Le produit est garanti contre tout défaut esthétique de matériaux ou de fabrication (tel que des rayures sur l'acier inoxydable, des taches sur la peinture/porcelaine, etc.) pour une période de quatre-vingt-dix (90) jours à partir de la date d'achat d'origine ou la date de clôture pour une construction neuve, la période la plus longue étant à retenir. Tout défaut doit être signalé au revendeur dans les quatre-vingt-dix (90) jours suivant la date d'achat d'origine. Viking Range, LLC utilise des processus et des matériaux de haute qualité pour réaliser les finitions de couleur. Cependant, une légère variation de couleur peut être remarquée à cause des différences inhérentes aux pièces peintes et en porcelaine ainsi que des différences liées à l'éclairage de la cuisine, à l'emplacement du produit et à d'autres facteurs. Par conséquent, cette garantie ne s'applique pas aux variations de couleur liées à ces facteurs.

†GARANTIE COMPLÈTE DE QUATRE-VINGT-DIX (90) JOURS EN APPLICATIONS « RÉSIDENIELLES PLUS » : Cette garantie complète couvre les applications où l'utilisation du produit dépasse l'utilisation résidentielle normale, mais la période de garantie pour les produits utilisés dans de telles applications est de quatre-vingt-dix (90) jours. Les exemples d'applications couvertes par cette garantie sont les gîtes touristiques, la caserne des pompiers, les clubs privés, les églises, les yachts, etc. Avec la garantie « résidentielle plus », le produit, ses pièces et ses accessoires sont garantis contre tout défaut de matériaux ou de fabrication pour une période de quatre-vingt-dix (90) jours à partir de la date d'achat d'origine. Cette garantie exclut l'utilisation du produit dans tous les lieux commerciaux tels que les restaurants, les lieux de restauration et les lieux de restauration collective.

CINQ ANS DE GARANTIE LIMITÉE SUR LES PANIERS EN NYLON, LES COMMANDES ÉLECTRONIQUES, LES DISPOSITIFS MOTEUR/POMPE ET LES PIÈCES DU CIRCUIT DE DISTRIBUTION D'EAU

Tout panier supérieur et/ou inférieur en nylon qui connaît une défaillance en raison de matériaux défectueux ou de vices de fabrication lors d'une utilisation domestique normale durant la quatrième année jusqu'à la cinquième année à compter de la date d'achat d'origine sera réparé ou remplacé, gratuitement pour ce qui est de la pièce elle-même, le propriétaire prenant en charge tous les autres coûts, notamment la main-d'œuvre. Tout ensemble moteur/pompe ou pièce du circuit de distribution d'eau indiqué ci-dessus, qui connaît une défaillance en raison de matériaux défectueux ou de vices de fabrication lors d'une utilisation domestique normale durant la quatrième année jusqu'à la cinquième année à compter de la date d'achat d'origine sera réparé ou remplacé, gratuitement pour ce qui est de la pièce elle-même, le propriétaire prenant en charge tous les autres coûts, notamment la main-d'œuvre.

Ensemble moteur/pompe ou pièces du circuit de distribution d'eau :

- Moteur/pompe de circulation
- Bras de lavage inférieur
- Moteur/pompe de vidange
- Tuyau du bras de lavage supérieur
- Robinet de remplissage
- Bras de lavage supérieur
- Fossé d'évacuation

GARANTIE LIMITÉE À VIE SUR LE RÉSERVOIR ET LA DOUBLURE EN ACIER INOXYDABLE

Tout réservoir ou doublure de porte interne en acier inoxydable qui connaît une défaillance en raison de matériaux défectueux ou de vices de fabrication lors d'une utilisation domestique normale pendant la durée de vie du produit sera réparé ou remplacé, gratuitement pour ce qui est de la pièce elle-même, le propriétaire prenant en charge tous les autres coûts, notamment la main-d'œuvre. Cette garantie exclut la corrosion de la surface ou la rouille, les rayures, la décoloration, l'eau ou les conditions atmosphériques, ou des pratiques de nettoyage qui font partie du processus normal d'utilisation résidentielle.

CONDITIONS GÉNÉRALES

Cette garantie s'applique à l'acheteur d'origine du produit garanti selon les modalités définies et à chaque acquéreur du produit pendant la période de garantie et elle s'applique aux produits achetés et se trouvant aux États-Unis, au Canada, au Mexique et dans les Caraïbes (à l'exclusion de Cuba, la République dominicaine et Haïti). Les produits doivent avoir été achetés dans le pays où vous demandez un entretien. Si le produit ou l'une de ses pièces contient un défaut ou fonctionne mal pendant la période de garantie complète après que le garant a tenté un nombre raisonnable de fois de remédier au défaut ou au mauvais fonctionnement, le propriétaire obtiendra un remboursement ou le remplacement du produit ou de la (des) pièce(s). Le remplacement d'une pièce comprend son installation gratuite, à l'exception de ce qui est spécifié dans la garantie limitée. Selon cette garantie, l'entretien doit être effectué par un agent d'entretien ou un représentant agréé par Viking Range, LLC. L'entretien sera réalisé pendant les heures normales de travail et le travail effectué en heures supplémentaires ou en tarif majoré ne sera pas couvert par cette garantie. Le propriétaire est responsable de l'installation correcte, doit s'assurer qu'un entretien nécessaire et raisonnable est réalisé, doit fournir une preuve d'achat sur demande et rendre l'appareil raisonnablement accessible pour l'entretien. Le renvoi de la carte d'enregistrement de propriétaire n'est pas une condition de garantie. Vous devrez toutefois renvoyer la carte d'enregistrement du propriétaire pour permettre à la Viking Range, LLC de prendre contact avec vous au sujet de problèmes de sécurité éventuels pouvant vous concerner. Cette garantie vous donne des droits légaux spécifiques et vous pouvez également avoir d'autres droits, qui varient d'une juridiction à l'autre.

EXCLUSION DE GARANTIE : Cette garantie ne s'applique pas aux dommages qui résultent d'abus, d'absence d'entretien nécessaire et raisonnable, d'accident, de livraison, de négligence, de catastrophe naturelle, de perte d'alimentation électrique sur le produit pour quelque raison que ce soit, de modifications, d'une utilisation extérieure, d'une installation incorrecte, d'un fonctionnement incorrect ou de réparations ou d'entretien du produit réalisés par toute autre personne qu'un agent d'entretien ou un représentant autorisé par Viking Range, LLC. Cette garantie ne s'applique pas à un usage commercial.

LIMITATION DES RECOURS ET DURÉE DE LA GARANTIE IMPLICITE LE RECOURS UNIQUE ET EXCLUSIF DU PROPRIÉTAIRE POUR UNE RÉCLAMATION DE QUELQUE NATURE QUE CE SOIT CONCERNANT CE PRODUIT SERA L'ENSEMBLE DES RECOURS DÉFINIS CI-DESSUS. VIKING RANGE, LLC N'EST PAS RESPONSABLE DES DOMMAGES CONSÉCUTIFS OU INDIRECTS, INCLUANT MAIS NE SE LIMITANT PAS À LA PERTE D'ALIMENTS OU DE MÉDICAMENTS, À CAUSE D'UNE PANNE DU PRODUIT, SURVENANT EN VIOLATION DE GARANTIE, EN VIOLATION DE CONTRAT OU AUTRE. Certaines juridictions n'autorisent pas l'exclusion ou la limitation de dommages indirects ou consécutifs, dans ce cas, cette disposition ne s'appliquerait pas. TOUTE GARANTIE IMPLICITE DE QUALITÉ MARCHANDE OU D'ADAPTATION À UN USAGE PARTICULIER APPLICABLE À CE PRODUIT A UNE DURÉE LIMITÉE À LA PÉRIODE COUVERTE PAR LES GARANTIES LIMITÉES ÉCRITES EXPLICITES APPLICABLES DÉFINIES CI-DESSUS. Certains états n'autorisent pas les limitations de durée de garantie implicite, dans ce cas, cette disposition ne s'appliquerait pas.

ENTRETIEN SOUS GARANTIE

Pour obtenir un entretien sous garantie, contactez un agent d'entretien autorisé ou Viking Range, LLC, 111 Front Street, Greenwood, Mississippi 38930, (888) 845-4641. Donnez les numéros de modèle et de série et la date d'achat d'origine ou la date de clôture pour une construction neuve. Pour obtenir le nom de l'agence d'entretien autorisée par Viking Range, LLC la plus proche, appelez Viking Range, LLC. IMPORTANT : Conservez la preuve d'achat d'origine pour établir la période de garantie.

Les spécifications sont sujettes à modification sans préavis.

Viking Range, LLC
111 Front Street
Greenwood, Mississippi 38930 USA
(662) 455-1200

Pour obtenir des renseignements sur le produit, appeler au 1-888-845-4641
ou visiter notre site Web aux É.-U. (www.vikingrange.com)
ou au Canada (www.brigade.ca)

Manual de Uso y Cuidado



1 & 3 SERIE

Lavadora de vajilla empotrada

VDW302 / VDW302WS
RVDW103 / RVDW103WS
FDW103 / FDW302
FDW103WS/ FDW302WS

Felicitaciones

La lavadora de vajilla está diseñada para ofrecer años de servicio confiable. Esta Guía de uso y cuidado le brindará la información que necesita para familiarizarse con el cuidado y la operación de la lavadora de vajilla.

Nuestro objetivo final es su total satisfacción. Si tiene alguna pregunta o comentario acerca de este producto, póngase en contacto con el distribuidor donde compró la unidad, o comuníquese con nuestro Centro de asistencia al consumidor llamando al 1-888-845-4641. Para obtener más información sobre la selección completa y la creciente selección de productos, contacte a su concesionario o visite nuestro sitio web en los EE. UU. www.vikingrange.com o en Canadá www.brigade.ca

Contenido

Cómo empezar

Advertencias y seguridad	3
Características	5

Operación

Cargar la lavadora de vajilla	6
Ajustes de las rejillas	7
Carga correcta e incorrecta	9
Instrucciones operativas	11
Tabla de programas	12
Botones de funciones	14
Dispensador de detergente y agente de enjuague	16

Cuidado del producto

Cuidado y mantenimiento	20
Limpiar los filtros	20
Limpiar los brazos rociadores	21
Solución de problemas	22
Información de servicio	26
Garantía	27

Advertencias y seguridad

Lea este manual de instalación y particularmente las instrucciones completa y detenidamente. Le ahorrarán tiempo y esfuerzo, además de servir para asegurar el rendimiento óptimo de la lavadora de vajilla.

Siempre observe todas las advertencias y precauciones indicadas. Busque en particular los iconos con signos de exclamación adentro. El icono de información también ofrece referencias importantes.

Las advertencias e instrucciones importantes de seguridad que aparecen en este manual no están destinadas a cubrir todas las posibles condiciones y situaciones que pueden ocurrir. En todo momento se debe practicar el sentido común, precaución y cuidado al instalar, mantener u operar el artefacto.

SIEMPRE póngase en contacto con el fabricante si tiene problemas o hay condiciones que no entiende.

Reconozca los símbolos, palabras y etiquetas de seguridad

⚠ ADVERTENCIA
Indica una situación potencialmente eligrosa que, si no se evita, podría causar esiones graves o fatales.
⚠ PRECAUCIÓN
Indica una situación potencialmente eligrosa que, si no se evita, puede causar lesiones. También se puede usar para alertar contra prácticas peligrosas.
⚠ NOTA
Indica una situación potencialmente peligrosa que, si no se evita, puede causar daños a la lavadora de vajilla, la loza, el equipo o el medio ambiente.

Lea y siga todas las instrucciones antes de usar este artefacto para prevenir el riesgo potencial de incendio, choque eléctrico, lesiones físicas o daños al artefacto a causa del uso indebido de la unidad. Use el artefacto solo para el fin indicado como se describe en este manual.

Para asegurar un funcionamiento debido y seguro: Un técnico calificado debe instalar y conectar a tierra correctamente el artefacto. NO intente ajustar, reparar, dar servicio o reemplazar ninguna parte del aparato excepto cuando sea recomendado específicamente en este manual. Todo otro servicio debe remitirse a un encargado de servicio calificado.

⚠ ADVERTENCIA
Proposición 65 del Estado de California
-Este producto contiene uno o varios agentes químicos que el Estado de California reconoce como cancerígenos. -Este producto contiene uno o varios agentes químicos que el Estado de California reconoce como causantes de defectos congénitos u otros daños reproductivos.

⚠ ADVERTENCIA
La conexión incorrecta del conductor de puesta a tierra para equipos puede causar un riesgo de choque eléctrico. Confirme con un electricista calificado o con un representante de servicio si tiene dudas sobre la conexión a tierra correcta del artefacto. No modifique el enchufe provisto con el artefacto; si no encaja en el tomacorriente, pida a un electricista calificado que instale uno adecuado.

⚠ ADVERTENCIA
¡PELIGRO DE ASFIXIA!
Confirme que se descarten de manera segura todas las envolturas, bolsas y trozos pequeños de plástico, etc., y que se mantengan fuera del alcance de los niños.

⚠ ADVERTENCIA
Si su lavaplatos tiene iluminación de interiores, sustitución debe realizarse únicamente por un agente de servicio autorizado.

Advertencias y seguridad

ADVERTENCIA

Al usar la lavadora de vajilla, siga precauciones básicas, como las siguientes

¡Lea todas las instrucciones antes de usar la lavadora de vajilla! Guarde estas instrucciones de operación y entréguelas a todo usuario futuro.

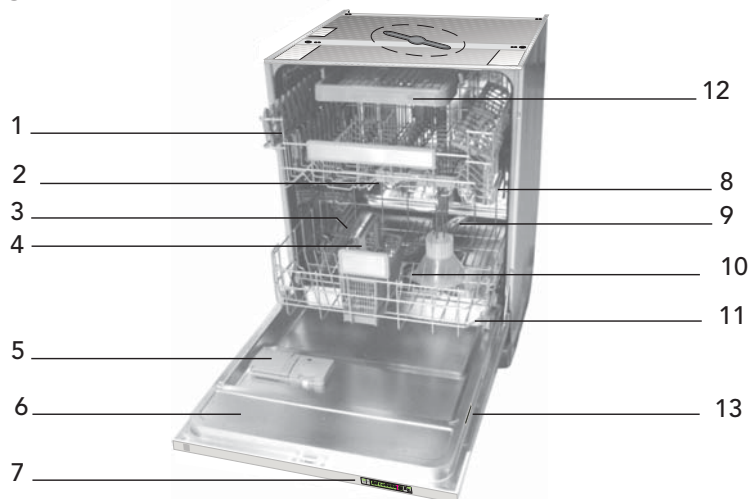
- Use la lavadora de vajilla solo para su fin indicado como se describe en este manual del usuario. Este artefacto está destinado solo para el uso casero normal.
 - El fabricante desconoce toda responsabilidad por daños o lesiones resultantes del uso indebido de esta unidad.
 - Debe seguirse la información contenida en este manual para minimizar el riesgo de incendio o explosión y para prevenir daños materiales, lesiones personales o pérdida de vida.
 - NO opere la lavadora de vajilla a menos que estén debidamente en su sitio todos los paneles de encapsulado.
 - NO altere los controles.
 - NO maltrate, no se siente ni se pare sobre la puerta ni la rejilla de la lavadora de vajilla.
 - Las rejillas para vasos o tazas se han diseñado para colocar tazas, vasos y utensilios de cocina. Cuando estén las rejillas para vasos en la lavadora de vajilla, no se apoye ni use las rejillas para soportar el peso del cuerpo.
 - Para reducir el riesgo de lesiones, NO permita a los niños jugar dentro, sobre ni cerca de la lavadora de vajilla.
 - Use solo detergentes o agentes de enjuague recomendados para usarse en una lavadora de vajilla casera y manténgalos en un lugar seco fuera del alcance de los niños. Confirme que el dispensador de detergente esté vacío después de terminar cada programa de lavado.
 - Los detergentes para lavadora de vajilla son alcalinos. Pueden ser peligrosos si se inhalan o ingieren. Evite el contacto con la piel y los ojos y mantenga a los niños y a las personas con mala salud lejos de la lavadora de vajilla cuando esté abierta la puerta. Consulte a un médico inmediatamente si se ha ingerido o inhalado el detergente.
 - ¡NO beba agua de la lavadora de vajilla! Puede haber residuos nocivos presentes.
 - Bajo ciertas condiciones, puede producirse gas de hidrógeno en un sistema calentador de agua caliente que no se ha usado durante dos semanas o más. EL GAS DE HIDRÓGENO ES EXPLOSIVO. Si no se ha usado el sistema de agua caliente por mucho tiempo, antes de usar la lavadora dé el agua caliente de todas las llaves y deje que corra por cada una de ellas varios minutos. Esto libera todo gas de hidrógeno acumulado. Como el gas es inflamable, no fume ni use una llama expuesta durante este tiempo.
 - NO guarde ni use líquidos ni vapores inflamables en el área de la lavadora de vajilla.
 - Al cargar utensilios para lavar, ponga los objetos afilados de tal modo que no puedan dañar el sello de la puerta y cargue los cuchillos afilados con las empuñaduras hacia arriba para reducir el riesgo de lesiones cortantes.
 - NO lave objetos plásticos a menos que estén marcados como "aptos para lavadora de vajilla" o equivalente. En el caso de objetos plásticos no marcados así, confirme las recomendaciones del fabricante.
 - Si funciona mal, apague el artefacto y corte el suministro de agua a la lavadora de vajilla.
 - Antes de limpiar o llevar a cabo el mantenimiento, apague el artefacto, desconecte el enchufe y corte el suministro de agua.
 - Las reparaciones y modificaciones técnicas debe realizarlas exclusivamente un técnico calificado.
 - Si no está en uso la lavadora de vajilla por largo tiempo (por ej. casa de vacaciones), recomendamos revisar que las cestas estén vacías, deje limpio el interior de la lavadora de vajilla, deje la puerta entreabierta para permitir que circule el aire, y apague la electricidad y el suministro de agua a la lavadora de vajilla.
 - Este artefacto debe conectarse a tierra. En caso de funcionar mal o fallar, la puesta a tierra reduce el riesgo de choque eléctrico al brindar una vía de menor resistencia para la corriente eléctrica. Este artefacto está equipado con un cordón que tiene un conductor de puesta a tierra para equipos y un enchufe a tierra. El enchufe debe ponerse en un tomacorriente adecuado que esté instalado y conectado a tierra conforme a todos los códigos y las ordenanzas locales.
 - Este artefacto debe conectarse con un sistema de metal a tierra, cableado permanente, o debe tenderse un conductor de puesta a tierra para equipos con los conductores de circuito y conectarse al terminal o conductor de puesta a tierra para equipos en el artefacto.
- La instalación de la lavadora de vajilla debe realizarse conforme a la guía de instalación. Si no recibió una guía de instalación, pídale llamando al 1-888-845-4641 o puede también descargarla en nuestro sitio web en los EE. UU. (www.vikingrange.com) o en Canadá (www.brigade.ca).
- Un instalador calificado debe realizar la instalación, el mantenimiento y la reparación. El trabajo de personas no calificadas podría ser peligroso y puede dejar nula la garantía.
 - NO opere el artefacto si está dañado, funciona mal, está parcialmente desarmado o si tiene piezas faltantes o rotas.
 - Antes de instalar o dar servicio, desconecte la fuente de alimentación al área de trabajo desenchufando la unidad, "disparando" el disyuntor o quitando el fusible.

Advertencias y seguridad

- Solo conecte la lavadora de vajilla a la fuente de alimentación cuando se haya terminado todo el trabajo de instalación y plomería.
- NO instale ni guarde la lavadora de vajilla donde pueda quedar expuesta a temperaturas bajo cero o a la intemperie.
- La lavadora de vajilla debe quedar fija a los muebles adyacentes usando los soportes provistos. De lo contrario puede causar daños materiales o lesiones físicas.
- Conecte la unidad a un circuito de fuente de alimentación de capacidad nominal adecuada, protegido y bien dimensionado para evitar sobrecargas eléctricas. La lavadora de vajilla está diseñada para un suministro eléctrico de 120V (voltios), 60Hz (hertz), CA, conectada a un circuito eléctrico dedicado a ella, debidamente conectado a tierra, con un fusible o disyuntores que tengan capacidad nominal para 15 amperios. Los conductores de suministro eléctrico serán como mínimo de cable de cobre caillbre #16 AWG con capacidad nominal para 167°F (75°C) o más. Se deben cumplir estos requisitos para prevenir lesiones y daños a la máquina. Consulte con un electricista calificado si tiene dudas.
- NO use ningún cable de extensión ni dispositivo de salida portátil para conectar la lavadora de vajilla a una fuente de alimentación.
- Retire la puerta de la lavadora de vajilla al retirar una lavadora vieja del servicio o descartarla. Confirme que la lavadora de vajilla no presente ningún peligro para los niños estando almacenado para desecharlo.
- Los artefactos viejos pueden contener materiales que pueden reciclarse. Póngase en contacto con la autoridad local de reciclaje para averiguar la posibilidad de reciclar estos materiales.

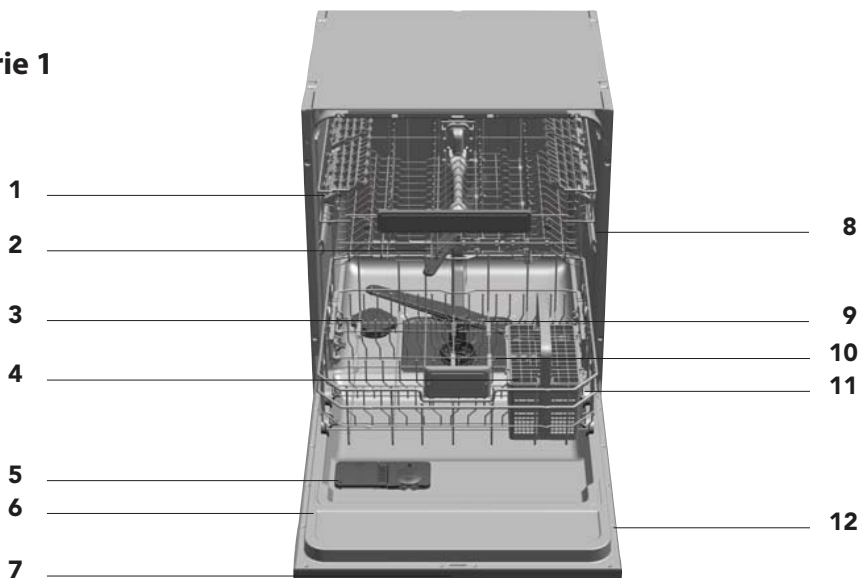
Características

Serie 3



1. Rejilla superior
2. Brazo rociador superior
3. Receptáculo de sal (ciertos modelos)
4. Cesta para cuchillería
5. Dispensador de detergente
6. Puerta
7. Panel de control
8. Pista guía para la rejilla superior
9. Brazo rociador inferior
10. Filtros
11. Rejilla inferior
12. Tercera rejilla removible
13. Rótulo de modelo y serie

Serie 1

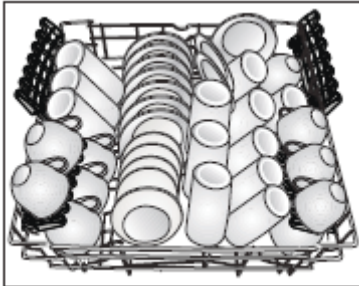


1. Rejilla superior
2. Brazo rociador superior
3. Receptáculo de sal (ciertos modelos)
4. Cesta para cuchillería
5. Dispensador de detergente
6. Puerta
7. Panel de control
8. Pista guía para la rejilla superior
9. Brazo rociador inferior
10. Filtros
11. Rejilla inferior
13. Rótulo de modelo y serie

Cargar la lavadora de vajilla

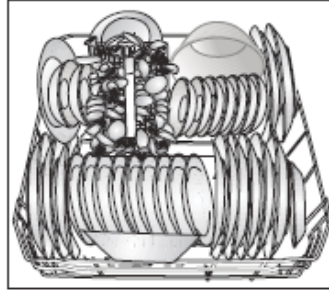
- Use la manija para abrir la puerta. Si se abre la puerta durante la operación, dejará de funcionar la lavadora de vajilla. Una vez cerrada la puerta, continuará el programa
- Retire restos grandes de comida de los utensilios.
- Ahora puede cargar la lavadora de vajilla.

Rejilla superior



Sistema para cargar la rejilla superior en el caso de 12 comensales conforme a las normas AHAM DW-1

Rejilla inferior



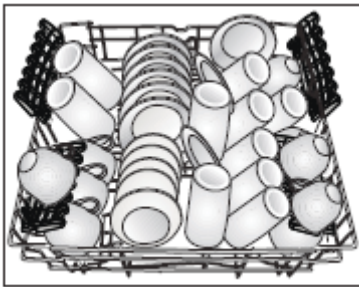
Sistema para cargar la rejilla inferior en el caso de 12 comensales conforme a las normas AHAM DW-1

⚠ ADVERTENCIA

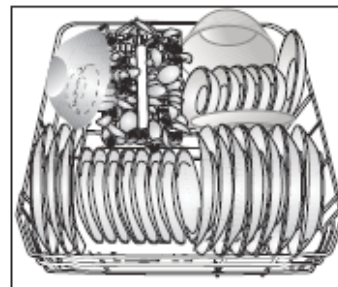
- Los cuchillos grandes y otros utensilios con puntas y bordes afilados deben colocarse horizontalmente en la rejilla superior debido al riesgo de lesiones. Deben colocarse otros cuchillos más pequeños y utensilios cortantes con el lado afilado dentro de la cesta para cuchillería.
- Tenga sumo cuidado al sacar los cuchillos y otros utensilios cortantes de la lavadora de vajilla. Estos artículos pueden haber cambiado de posición durante el programa de lavado, y pueden estar mojados o resbaladizos.
- Las rejillas para vasos o tazas se han diseñado para colocar tazas, vasos y utensilios de cocina. Cuando estén las rejillas para vasos en la lavadora de vajilla, no se apoye ni use las rejillas para soportar el peso del cuerpo

- La lavadora de vajilla tiene una capacidad máxima para los utensilios usados por 14 comensales.
- Ponga boca abajo los objetos como tazas, vasos y ollas en la lavadora de vajilla (para que no acumulen agua).
- Los objetos pequeños y livianos pueden ir en la rejilla superior.
- Los objetos largos y angostos se ponen en el centro de las rejillas.
- Ponga todos los objetos grandes y muy sucios en la rejilla inferior.
- No se deben poner los platos y la cuchillería unos sobre otros.
- Los vasos no se deben tocar entre sí.
- No se debe entorpecer el movimiento de los brazos rociadores.
- NO sobrecargue la lavadora de vajilla y preste atención a las instrucciones del fabricante sobre los platos que son adecuados para poner en una lavadora de vajilla. Solo con platos aptos (mencionados en la sección siguiente) obtendrá resultados óptimos de lavado con un uso sensato de energía.

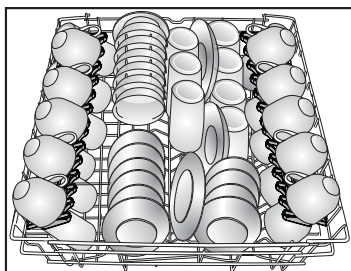
Patrones de carga adicional



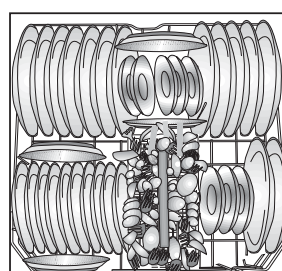
Sistema para cargar la rejilla superior en el caso de 10 comensales



Sistema para cargar la rejilla inferior en el caso de 10 comensales



Sistema para cargar la rejilla superior en el caso de 14 comensales internacionales

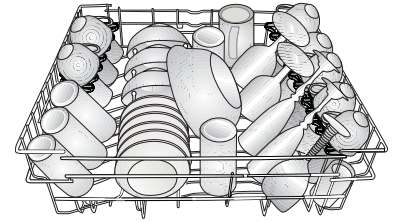


Sistema para cargar la rejilla inferior en el caso de 14 comensales internacionales

Ajustes de las rejillas

Rejilla superior

Cargue la rejilla superior con platos de postre, tazas, vasos, etc.

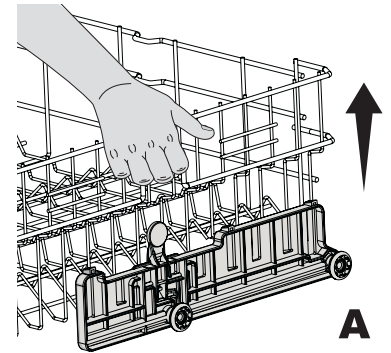


Selección de altura variable

La rejilla superior está equipada con un mecanismo que levanta y le permite cambiar la altura de la rejilla aun cuando esté totalmente cargada, y sin tener que sacarla de la lavadora de vajilla.

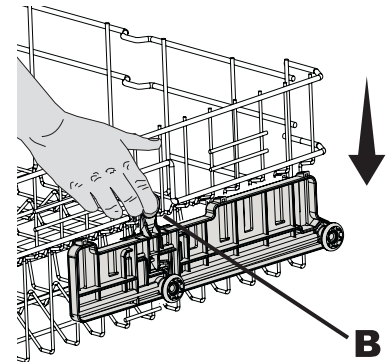
Levantar la rejilla superior

- Para levantar la rejilla superior a una posición más alta, sosténgala por un lado y muévala hacia arriba con cuidado A.
- Para levantar el lado opuesto de la rejilla, sosténgala y muévala hacia arriba del mismo modo.



Bajar la rejilla superior

- Para bajar la rejilla superior, sostenga y presione la palanca de la rejilla por un lado y baje con cuidado la rejilla sin soltar la palanca B.
- Repita el procedimiento con la palanca en el lado opuesto de la rejilla.



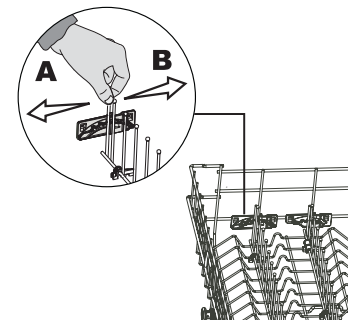
⚠ NOTA

Confirme que enganchen ambas palancas en la posición de la misma altura.

Púas plegables

Hay "púas plegables" en la rejilla superior para permitirle más espacio que acomode vasos o tazas.

- Simplemente accione la primera púa delantera, muévala a la izquierda A y a la derecha B para ponerla en otra posición. Las púas también quedan planas.



Repisas ajustables

Dependiendo del tamaño de los vasos y las tazas, puede ajustarse la selección de altura de la repisa.

- Pliegue la repisa hacia arriba A.
- Posicione a la altura deseada B.
- Pliegue de nuevo la repisa hacia abajo C.



Ajustes de las rejillas

Tercera rejilla removible

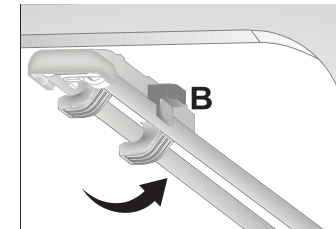
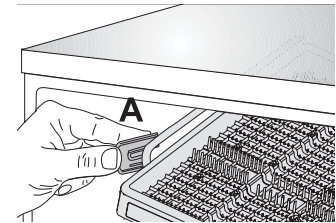
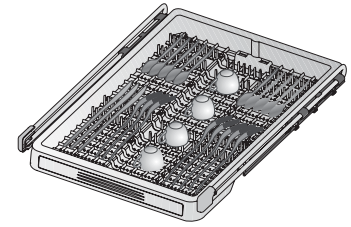
La tercera rejilla removible se ha diseñado para platos pequeños, o platos largos que no pueden caber en la cesta de cuchillería.

Gracias a que se puede sacar fácilmente, permite retirar los platos de la máquina junto con la rejilla después del lavado.

Dado que puede caber en todos los cajones de tamaño estándar, no hay necesidad de quitar los platos de la cesta y ponerlos separados en los cajones o repisas de la cocina.

Si no desea usar la tercera rejilla removible, muévala de vuelta hacia usted para retirarla de la máquina, gire las tapas de carriles A hacia fuera y muévalas hacia usted para sacarlas. Después de sacar la rejilla levantándola, retire la parte portadora de los carriles moviéndola hacia usted. Vuelva a poner las tapas de los carriles y empújelas de nuevo para asentarlas en su sitio. Vuelva los carriles dentro de la máquina hacia fuera B para asentarlos correctamente en su sitio.

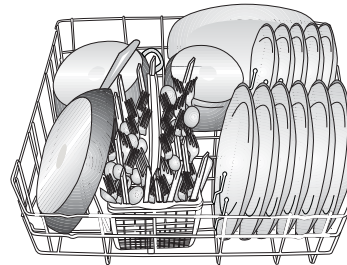
Para poner de nuevo en su lugar la tercera cesta removible, repita el mismo proceso en orden inverso.



Rejilla inferior

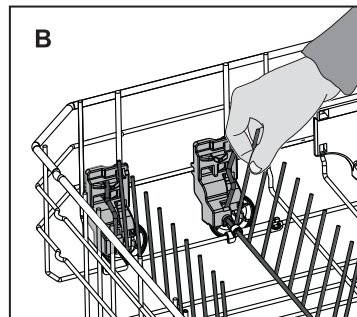
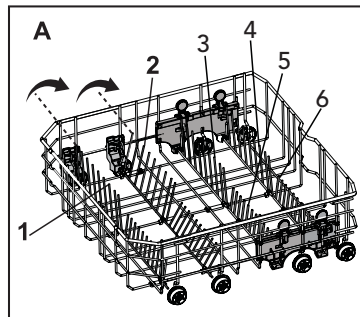
Use la rejilla inferior para platos, tazones, ollas, etc.

- Pliegue la repisa hacia arriba A.
- Posicione a la altura deseada B.
- Pliegue de nuevo la repisa hacia abajo C.



Púas ajustables de la rejilla inferior

Las púas plegables de seis piezas (A) ubicadas en la rejilla inferior de la máquina están diseñadas para facilitar la colocación de utensilios grandes como sartenes, tazones, etc. Puede crear espacios más grandes plegando cada púa individualmente o todas ellas de una vez. Para poner las púas ajustables en posición horizontal, agarre las púas desde la posición media y empújelas en las direcciones de las flechas (B) Para poner de nuevo las púas en la posición vertical, simplemente levántelas. Las púas ajustables encajan de nuevo en el seguro



⚠ NOTA

Si se ponen las púas en la posición horizontal sosteniéndolas por las puntas puede hacer que se doblen. Por lo tanto, ajuste las púas sosteniéndolas por el centro y empujando en la dirección de la flecha

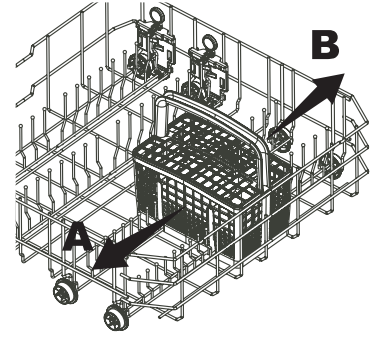
⚠ NOTA

Al terminar, pruebe para asegurarse de que el brazo rociador siga pudiendo moverse libremente.

Carga correcta e incorrecta

Cesta deslizable para cuchillería

Dado que se ha diseñado para permitir la colocación libre de platos conforme a su tamaño; la cesta deslizable para cuchillería se puede

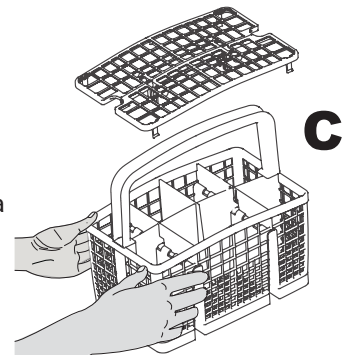


Use el inserto de la cesta C para la cuchillería de tal modo que todos los utensilios dentro de la cesta queden rodeados de un flujo de agua suficiente.

Para utensilios más grandes (por ej. batidores de alambre) puede quitarse el inserto de la cesta C. Simplemente levántelo.

Para facilitar la carga, puede quitarse la cesta de cuchillería. Simplemente extraiga la cesta hacia arriba.

Ponga utensilios largos como cucharones, cucharas de cocina, etc., sobre la repisa de la rejilla superior.

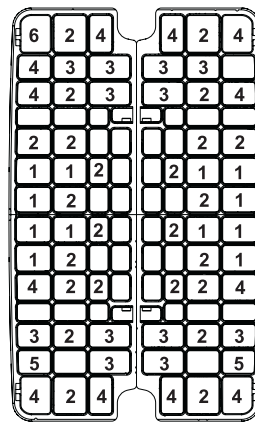


⚠ NOTA

Al terminar, pruebe para asegurarse de que el brazo rociador siga pudiendo moverse libremente.



1. Tenedor de ensalada
2. Cucharilla
3. Tenedor de comida
4. Cuchillo – de mango macizo
5. Cuchara para servir
6. Tenedor para servir



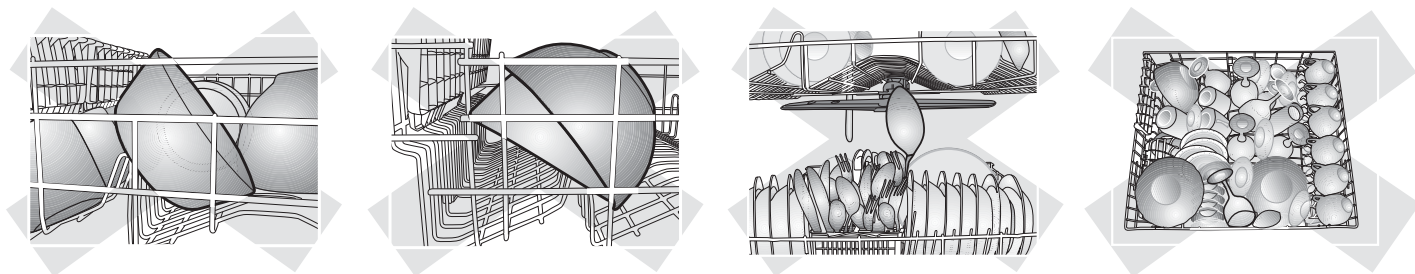
Sistema para cargar la cesta deslizable de cuchillería en el caso de 12 comensales conforme a las normas AHAM DW-1

⚠ NOTA

- Ponga todos los objetos grandes y muy sucios en la rejilla inferior.
- Ponga boca abajo los objetos como tazas, vasos y ollas en la lavadora de vajilla (para que no acumulen agua).
- No se debe entorpecer el movimiento de los brazos rociadores.
- No sobrecargue la lavadora de vajilla. No se deben poner los platos y la cuchillería unos sobre otros. Los vasos no se deben tocar entre sí.
- Solo con platos aptos (mencionados en la página 6) obtendrá resultados óptimos de lavado con un uso sensato de energía.

Carga correcta e incorrecta

Carga incorrecta



⚠ NOTA

Lo que no debe lavarse en la lavadora de vajilla

- Las piezas de acero sensibles a la corrosión como el hierro y el hierro fundido que pueden oxidar y manchar otros utensilios y dañar el revestimiento interior de acero inoxidable de la lavadora de vajilla y dejar nula la garantía. NO lave cobre, bronce, peltre, latón ni hojalata.
- La cuchillería con mangos de madera o de cuerno y los cuchillos con mangos de concha de perla o porcelana se deterioran con el tiempo si se ponen en la lavadora de vajilla.
- Los plásticos pueden deformarse o decolorarse con el agua caliente, siga las instrucciones de los fabricantes del plástico. Revise que los artículos de plástico estén marcados "aptos para lavadora de vajilla".
- Los platos o la cuchillería que tenga pegamento no son aptos para lavarlos en la máquina porque hay ciertos adhesivos que se ablandan o disuelven con el agua caliente.
- El aluminio puede desteñirse con el tiempo. Los minerales en el agua y el detergente pueden causar que el aluminio se oscurezca o se manche.
- Lo deben lavarse artículos de plata en la lavadora de vajilla porque tienden a decolorarse y ponerse opacos con el detergente de la lavadora.
- Los cubiertos plateados y de acero inoxidable no deben quedar en contacto entre sí. Pueden mancharse estos artículos si se han mezclado. Retire y seque a mano estos artículos inmediatamente cuando termine el programa.
- Las copas, la porcelana, la loza fina y la que tenga bordes dorados son sensibles al lavado en máquina. Pueden perder sus diseños y colores con el tiempo.
- El cristal y las copas muy finas pueden ponerse opacos (marcarse), perdiendo su brillo con el tiempo. Puede convenirle lavarlos a mano.
- NO lave esponjas ni paños de cocina en la lavadora de vajilla.
- NO lave artículos de arte ni artesanía en la lavadora de vajilla.
- Los plásticos desechables y el aluminio desechable no pueden soportar las altas temperaturas; NO los lave en la lavadora de vajilla.

⚠ PRECAUCIÓN

- Si tiene dudas, lave a mano o siga las instrucciones del fabricante de los utensilios, platos, vasos u ollas y sartenes.
- No lave utensilios manchados con cenizas de cigarrillo, cera de velas, barniz, pinturas o agentes químicos dado que pueden dañar la lavadora de vajilla.

⚠ PRECAUCIÓN

Recomendamos comprar platos nuevos, trate de elegir un juego que sea apto para lavadora de vajilla (marcado como tal).

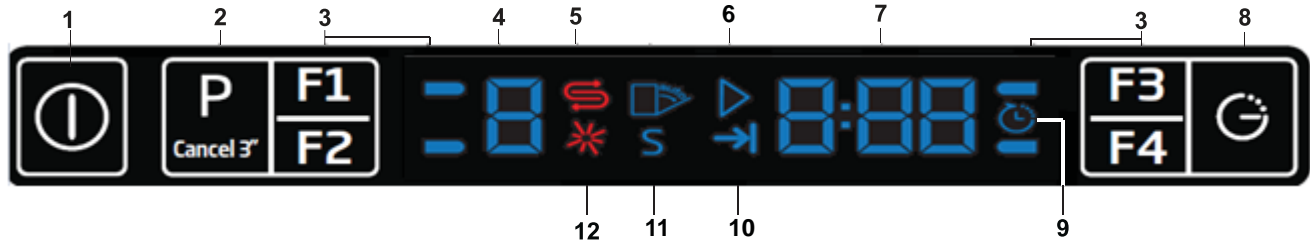
Cuidado del juego para la mesa

La combinación de altas temperaturas y detergente para platos puede causar daño a algunos artículos si se lavan en la lavadora de vajilla. Recuerde que si hay alguna duda sobre algún aspecto referente a artículos para lavar en la lavadora de vajilla, siga las instrucciones del fabricante de ellos o lávelos a mano.

Operar la lavadora de vajilla

⚠ NOTA

Si no realice ninguna operación después de seitching en la máquina, se va apagar automáticamente en 5 segundos.



- | | |
|--|---|
| 1. Botón de encendido/apagado | 5. Sal indicador (según modelo) |
| 2. Programa selección / Program botón Cancelar | 6. Inicio/cancelar indicador |
| 3. Botones de función / Indicador | 7. Tiempo de retardo / programa indicador de tiempo |
| F1 Media carga | 8. Botón de retardo de tiempo |
| F2 Desinfectar | 9. Tiempo indicador 'Delay' |
| F3 'HighGloss' | 10. Final del indicador de programa |
| F4 Lavado intenso | 11. Indicador desinfectado |
| 4. Programa indicador | 12. Enjuague indicador |

- Abra la puerta y cargar el lavavajillas.
- Compruebe que ambos brazos de aspersión superior e inferior se mueven libremente.
- Vierta la cantidad correcta de detergente en la cubeta de detergente y cierre la tapa.
- Oprima el botón On/Off 1 y compruebe que la pantalla se prende.
- Compruebe el indicador de nivel agente de enjuague 12. Si es necesario, rellenar al agente de enjuague.
- Compruebe el indicador de nivel de sal 5. Si es necesario, rellenar sal (modelos selectos).
- Utilice el botón de selección de programa 2 elegir el programa de lavado.
- Cuando hay pocos platos, además utilice la función de media carga (F1).
- Seleccione otro deseado funciones.
- Cierre la puerta y el programa se iniciará.
- Cuando haya finalizado el programa de lavado, un pitido electrónico sonará y continuará cada 10 segundos. Después de dos minutos de tiempo transcurrido, el sonido se detendrá. También puede detener el pitido al abrir la puerta o presionando el botón de encendido/apagado 1.
- Presione el botón de encendido/apagado 1 y abrir la puerta después de concluir el programa. Las luces indicadoras se apagarán.
- Deje que la vajilla se enfríe durante 15 minutos, con la puerta abierta.
- Descargue los platos. Comenzar con la parrilla inferior.

Indicador de iluminación de piso

Su lavavajillas se iluminarán el suelo durante la operación de lavado. La luz se apagará automáticamente al final de la operación de lavado. Nota: Cuando comienza el programa de lavado, la función de luz intermitente se activa automáticamente y se apagará automáticamente al final del ciclo. Esta característica es una opción que no puede ser apagada por el consumidor.

⚠ PRECAUCIÓN

¡Puede escapar el vapor caliente! Peligro de quemaduras graves u otras lesiones.

⚠ PRECAUCIÓN

Evite abrir la puerta durante el ciclo de lavado. Esto interrumpe el proceso de lavado, y escapará el vapor caliente. El vapor caliente puede causar quemaduras y otras lesiones graves. Al cerrar la puerta, continúa el programa.

Operar la lavadora de vajilla

Serie 3

Número de programa		0	1	2	3	4	5	6	7	8
Nombre de programa	'TubClean'		Ollas / Sartenes+	Ollas / Sartenes	Automático	'CombiClean'	Lavado Normal*	Delicado/Loza Fina	Lavado Rápido	Enjuague/Espera
	Temperaturas de lavado	72 (°C)	70	70	55	55	50-55	50	45	0
	Temperaturas de enjuague	160 (°F)	167	158	131	131	122-131	122	113	0
	Grado de suciedad	70 (°C)	75	70	61-67	66	61-67	65	55	0
Detergente en dispensador de sección	15 ml	140 (°F)	158	158	142-157	151	142-157	149	131	0
	15-25 ml	-	Alto	Alto	Mediano - Alto	Mediano	Mediano	Poco	Poco	-
	+ 5 ml	+	+	+	+	+	+	+	-	-
	Agua Dura	+	+	+	-	+	+	-	-	-
Sección de dispensador recomendable	Agua Mediana	40 ml	40	40	25-40	40	25-40	25	15-25	-
	Agua Blanda	8 cucharita	8	8	5-8	8	5-8	5	3-5	-
		40 ml	40	40	15-40	40	25	15-25	15	-
		8 cucharita	8	8	3-8	8	5	3-5	3	-
Lavado		25-40 ml	25-40	25-40	15-40	25-40	15-25	15	15	-
		5-8 cucharita	5-8	5-8	3-8	5-8	3-5	3	3	-
		-	+	+	+	+	+	+	-	+
		-	+	+	+	+	+	+	+	-
Lavado principal		-	+	+	+	+	+	+	-	-
		-	+	+	+	+	+	+	-	-
		-	+	+	+	+	+	+	-	-
		-	+	+	+	+	+	+	-	-
Secado		75	120	101	100-155	182	100-155	65	35	12
Desinfectar										
Duración (Minutos)										
Aqua (Litros)										
Aqua (Galones)										

Los valores de consumo que aparecen en la tabla se determinaron bajo condiciones estándar. Por este motivo, es posible que haya variaciones en condiciones prácticas.
 * La etiqueta de consumo de energía se basa en este programa.

Operar la lavadora de vajilla

Botones Función

La combinación de altas temperaturas y detergente para platos puede causar daño a algunos artículos si se lavan en la lavadora de vajilla. Recuerde que si hay alguna duda sobre algún aspecto referente a artículos para lavar en la lavadora de vajilla, siga las instrucciones del fabricante de ellos o lávelos a mano.



Interruptor (1)

Encender al lavavajillas con el botón On/Off. Cuando usted presiona el botón de encendido, las luces indicadoras de iluminarán la pantalla durante en posición. Las luces se apagan en la posición OFF.



Programa selección /Cancel botón (2)

Presione este botón hasta que el programa deseado aparezca en el indicador. Para cancelar el programa, abrir la puerta, presione y mantenga presionado el botón de selección del programa o cancelar durante 3 segundos. Después de 3-2-1 cuenta regresiva, 0:01 se muestra. Cierre la puerta y esperar a que el proceso de drenaje completar. Drenaje se completa en 2 minutos y el lavavajillas le dará un pitido electrónico terminada.

Función

Si se presiona cualquiera de los botones de función (F1, F2, F3, F4), durante el programa de selección o selección de retardo de tiempo, un eléctrico escuchará siempre que la función es apoyada por el programa seleccionado. Para cancelar la función seleccionada, mantenga el botón presionado hasta que el indicador no se enciende.



Función de media carga (F1)

Si desea ejecutar la máquina sin cargar completamente, coloque los platos en la máquina que desee. Pulsa el botón On/Off para encender la máquina. Seleccione el programa deseado y presione el botón de función de media carga (F1). El medio indicador de carga se enciende en la pantalla, cierre la puerta de la máquina para iniciar el programa. Con la opción de media carga puede utilizar cada parte de tus cestas inferiores y superiores y ahorrar agua y energía.



Sanitize (desinfección) de función (F2)

Sanitize (desinfección) función eleva la temperatura del agua en el enjuague final para cumplir con los requisitos de NSF/ANSI STANDARD 184 para lavavajillas residenciales. Lavavajillas residenciales certificadas no son para los establecimientos de alimentos con licencia.

Disponible sólo con programas de lavado normal, ollas y sartenes, ollas y sartenes más.

Seleccione el programa deseado y presione el botón de la función de desinfectar (F2). La tecla F2 se encenderá en la pantalla, cierre la puerta para iniciar el programa de

Al final de una sanitization exitosa, se muestra "S". La "S" no se mostrará si se interrumpe el ciclo o el agua puede no ser a la temperatura reuired.

Nota: Solos ciclos de esterilización han sido diseñados para satisfacer las necesidades de 6 para la eficiencia de eliminación y desinfección de suelo. No existe intención, directa o indirectamente, que todos los ciclos han pasado pruebas de rendimiento de la desinfección.



HighGloss de función (F3) (3 serie solamente)

Ofrece superior desempeño



Función de lavado intenso (F4) (3 serie solamente)

El impulsor de lavado intenso se encuentra en el rodete inferior y ayuda a lavar muy sucios platos plced en el lado derecho de la canasta inferior. Se obtienen mejores resultados cuando más platos sucios se colocan al lado derecho.

⚠ PRECAUCIÓN No trate de remover el impulsor lavado intenso.

Operar la lavadora de vajilla



Indicador Tiempo restante/Indicador Tiempo de retardo

Puede seguir la duración restante del programa en el visor del indicador de tiempo.



Botón Inicio con retardo

Esta opción le permite iniciar el programa seleccionado con un retardo de 1 a 24 horas.

- El tiempo de retardo se ajusta pulsando el botón Retardo de tiempo (presionando varias veces).
- Después de ajustar el tiempo de retardo, pulse el botón Inicio/Pausa/Cancelar.
- Cierre la puerta. Al terminar el ajuste de retardo, el programa empieza automáticamente.

⚠ NOTA

Durante un programa de lavado, no funciona la opción Inicio de retardo.

Cancelación de una función

Para cancelar el programa, abrir la puerta, presione y mantenga presionado el botón de selección del programa o cancelar durante 3 segundos. Después de 3-2-1 cuenta regresiva, 0:01 se muestra. Cierre la puerta y esperar a que el proceso de drenaje completar. Drenaje se completa en 2 minutos y el lavavajillas le dará un pitido electrónico terminada.

⚠ ADVERTENCIA

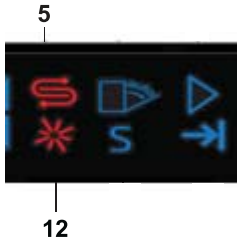
Dependiendo de la duración del programa terminado, puede haber todavía detergente y agente de enjuague en los dispensadores. La ingestión o inhalación de detergente o de agente de enjuague puede causar lesiones graves. Evite el contacto con la piel y los ojos y mantenga a los niños y a las personas con mala salud lejos de estos compuestos.

Cambia el volumen del indicador sonoro

- Después de encender el lavavajillas, botones de retraso de tiempo y P simultáneamente. Manténgalos pulsados hasta que se complete la cuenta regresiva 3-2-1 en la pantalla.
- P botón para activar la posición de S:.
- Cada vez que se presiona el botón de retardo de tiempo, cambiará el volumen del sonido de advertencia como "S:0", "S: 1" media y alta "S:2".
- Apagar el lavavajillas con el botón On/Off para guardar los cambios.

Nota: Ajuste de fábrica es "S:2".

Operar la lavadora de vajilla



LED indicador Nivel del agente de enjuague (#12)

Si se enciende esta luz indicadora, debe recargar el agente de enjuague. También puede saber si hay que recargar el agente de enjuague mirando el dispensador de agente de enjuague. Cuando esté oscuro el indicador visual de llenado, hay suficiente agente de enjuague en el dispensador.

Cuando el color sea claro, abra el dispensador y recargue el agente de enjuague.



LED indicador Nivel de sal (#5)

Cuando se encienda esta luz indicadora, debe recargar la sal especial. Solo use sal especial para lavadora de vajilla en la máquina para ablandar el agua.

Dispensador de detergente y agente de enjuague

Llenar el dispensador de detergente

⚠ ADVERTENCIA

- Siempre guarde el detergente en lugares que sean frescos, secos y fuera del alcance de los niños.
- Confirme que el dispensador de detergente esté vacío después de terminar cada programa de lavado.
- Los detergentes para lavadoras de vajilla pueden ser peligrosos si se inhalan o ingieren. Evite el contacto con la piel y los ojos y mantenga a los niños y a las personas con mala salud lejos de la lavadora de vajilla cuando esté abierta la puerta. Consulte a un médico inmediatamente si se ha ingerido o inhalado el detergente.

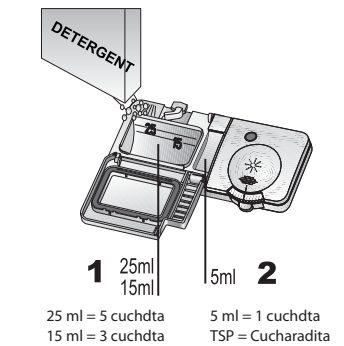
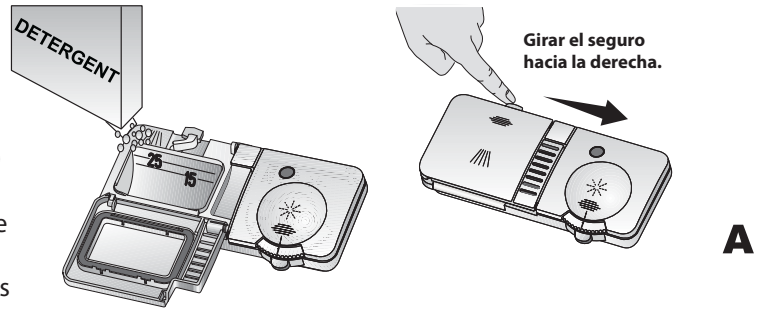
⚠ NOTA

- Solo use detergentes aptos para lavadoras de vajilla.
- NO use detergente en el ciclo Enjuague/Espere.
- NO olvida verter/poner el detergente en el dispensador antes de encender la máquina.
- El exceso de detergente puede hacer que este no se disuelva bien y podrían rayarse los platos.
- El exceso de detergente en agua blanda puede causar corrosión en el vidrio. NO use demasiado detergente si el agua es blanda.

Si no sabe la dureza del agua, use 15 ml/3 cucharaditas de detergente. Aumente la cantidad de detergente si ve marcas blancas de agua, especialmente sobre la superficie de los vasos. Determine la dureza del agua preguntando al departamento local de agua, a la compañía que vende el ablandador de agua o al agente de extensión del condado

Operar la lavadora de vajilla

- Abra el receptáculo del detergente empujando el seguro hacia la derecha A.
- Vierta/ponga el detergente en el dispensador.
- Cierre la tapa hasta que encaje bien.
- El receptáculo de detergente puede contener un total de 40 ml/8 cucharaditas de detergente
- Marcar las líneas en el interior del receptáculo de detergente ayuda a determinar la cantidad correcta de detergente. Cuando se carga la lavadora de vajilla totalmente y los platos están muy sucios, se recomienda llenar el receptáculo de detergente hasta la marca de 25 ml/5 cucharaditas. Cuando los platos están menos sucios, por lo general es suficiente llenar el detergente hasta la marca de 15 ml/3 cucharaditas.
- Se muestran las cantidades de detergente para los programas individuales de limpieza en la Tabla de programas en la página 21.
- Las cantidades de llenado dadas son para detergente estándar en polvo. Las cantidades pueden variar si usa detergente líquido o en polvo concentrado. Los detergentes en tabletas deben ponerse en el receptáculo para detergente 1 con la tapa cerrada.
- Siga las instrucciones en el paquete del detergente cuando use detergente líquido para lavar platos, detergente en polvo concentrado o detergente en tabletas.
- Son posibles las variaciones dependiendo de lo sucios que estén los platos y lo dura que sea el agua en su localidad.
- Si sus platos han estado en la lavadora de vajilla cierto tiempo sin lavarse, llene también el pequeño receptáculo 2 hasta arriba.



Llenar el dispensador de agente de enjuague

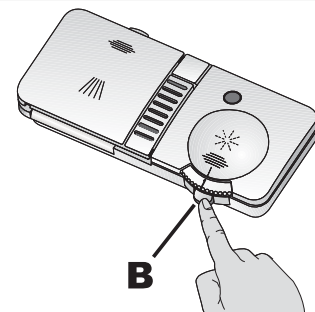
⚠ ADVERTENCIA

Mantenga los agentes de enjuague lejos del alcance de los niños. La ingestión o inhalación del agente de enjuague puede causar lesiones graves. Evite el contacto con la piel y los ojos y mantenga a los niños y a las personas con mala salud lejos de los agentes de enjuague.

⚠ NOTA

- Solo use agentes de enjuague aptos para usar en lavadoras de vajilla. Los aditivos de enjuague permiten enjuagar el agua del lavado de manera más limpia y prevenir las marcas de agua o rayas en los platos.
- Si usa detergentes o tabletas "2 en 1" o "3 en 1", no necesita ningún agente de enjuague adicional.

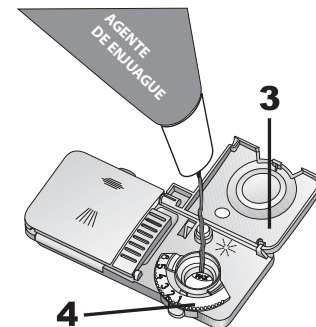
- Abra el dispensador del agente de enjuague presionando el seguro B.
- Vierta con cuidado el agente de enjuague hasta la marca MAX.
- Cierre la tapa hasta que encaje dentro 3.
- Pase un paño con cuidado para limpiar el agente de enjuague derramado. El exceso de agente de enjuague genera demasiada espuma, lo cual puede impedir la limpieza.



Fijar la dosis del agente de enjuague

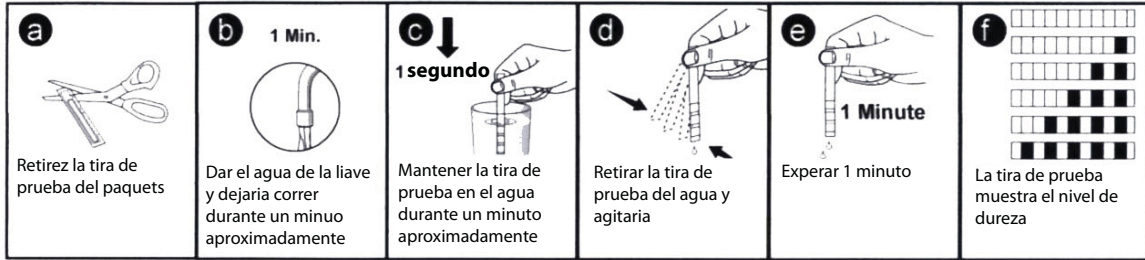
La dosis del agente de enjuague a usar puede fijarse mediante el regulador del dispensador 4 entre los niveles 1 y 6. Cambie el ajuste, solo si se produce lo siguiente después del lavado:

- Hay marcas de agua visibles en los platos: Fije la dosis más arriba.
- Hay rayas visibles en los platos: Fije la dosis más abajo



Operar la lavadora de vajilla

Fijar el ablandador de agua (ciertos modelos)



- Abra la puerta de la lavadora de vajilla para acceder a la interfaz del usuario (IU)
- Prenda el artefacto usando el botón de encendido/apagado de la interfaz del usuario en el extremo izquierdo; luego suelte el botón cuando se active el visor.
- Dentro de 15 segundos pulse simultáneamente el botón de programa/botón de retardo durante 3 segundos. La pantalla de la interfaz del usuario mostrará la cuenta regresiva de 3-2-1..... El usuario ha ingresado al modo de ajuste de preferencias del cliente.
- La pantalla de la interfaz del usuario mostrará primero L1. Pulse el botón de programa para desplazarse por el ajuste de preferencias del cliente hasta que aparezca r1
- Una vez que aparece r1, el usuario ha ingresado al ajuste del modo de regeneración
- La dureza del agua se puede fijar en el nivel deseado pulsando el botón de retardo (compare la tira de prueba con los grados en la tabla de dureza). Se enciende el programa apropiado.
- Una vez que el usuario haya fijado el nivel de dureza, pulse el botón de encendido/apagado en la interfaz del usuario para guardar el ajuste.

Nombre de la unidad	Americano	PPM	Francés	Indicador en el visor Multi-Funcional
Definición	1 grano de CaCO_3 / 1 galón (EUA) de agua (Dureza $^{\circ}\text{dE}$)	1 mg de CaO / 1 L de agua	1 mg de CaO / 1 L de agua (Dureza $^{\circ}\text{dF}$)	
1er Nivel 	0-6	0-80	0-8	Presione el botón Retardo de tiempo para conmutar el nivel de dureza del agua a la posición 1.
2do Nivel 	7-12	81-130	9-13	
3er Nivel 	13-18	131-220	14-22	Presione el botón Retardo de tiempo para conmutar el nivel de dureza del agua a la posición 2.
4to Nivel 	19-23	221-270	23-27	Presione el botón Retardo de tiempo para conmutar el nivel de dureza del agua a la posición 3.
5to Nivel 	24-36	271-340	28-34	Presione el botón Retardo de tiempo para conmutar el nivel de dureza del agua a la posición 4.
6to Nivel 	37-47	341-800	35-90	Presione el botón Retardo de tiempo para conmutar el nivel de dureza del agua a la posición 5.

Operar la lavadora de vajilla

⚠ NOTA

- Si el nivel de dureza del agua es menor de 7 Americano odE o menos de 8 Francés odF, no necesita ninguna sal ablandadora especial. En este caso, se ilumina continuamente el indicador de control de "sal".
- Si el nivel de dureza local excede 47 Americano odE o 90 Francés odF, debe considerar conseguir un dispositivo ablandador de agua para la lavadora de vajilla. Si usa agua de arroyo o agua de lluvia, se le aconseja instalar filtros.
- Si el ajuste de dureza del agua se ha establecido en el nivel 1, se ilumina continuamente el indicador de control de "sal" aunque no es necesario usar sal. Si usa sal en estas condiciones, no se consumirá la sal y no se iluminará la luz.
- Si se mueve, no olvide ajustar el nivel de dureza del agua para adecuarlo a su nuevo vecindario.
- Si el modelo no tiene un dispensador de sal, pase por alto estos cambios. El nivel de dureza de agua debe estar en la posición 1.

Llenar el dispensador de sal de la lavadora de vajilla

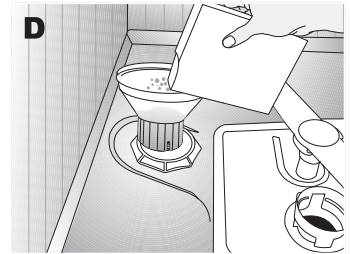
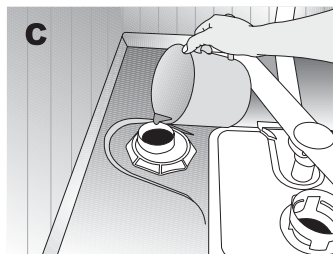
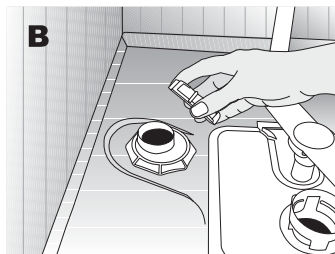
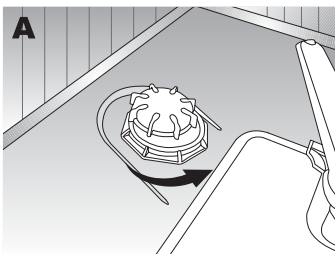
⚠ PRECAUCIÓN

Nunca use sal culinaria o de mesa. Estos tipos de sal no se disuelven en el agua fácilmente y dañan la función del dispositivo ablandador.

⚠ NOTA

- Solo use sal especial para lavadora de vajilla en la máquina para ablandar el agua.
- NO use sal gruesa. La sal en polvo o fina se disuelve más fácilmente.
- El fabricante no se responsabiliza de daños resultantes del uso del tipo errado de sal.

- Retire la rejilla inferior de la máquina.
- Abra la tapa atornillada del receptáculo de sal girándola hacia la izquierda (Fig. A, B).
- Al operar por primera vez: Vierta 1 litro de agua en el receptáculo de sal (Fig. C).
- Vierta la sal dentro del receptáculo con ayuda del embudo incluido para la sal (Fig. D). Vierta suficiente sal para llenar el receptáculo. El receptáculo puede contener aproximadamente 2 kg/4,4 libras.
- Cierra la tapa bien apretada.



⚠ PRECAUCIÓN

Empiece cualquier programa de lavado inmediatamente después de llenar el receptáculo de sal. El programa de lavado previene daños a la máquina que pueda producir algún derrame de la solución de sal.
Después del primer ciclo de lavado, se apagará la luz indicadora del nivel de sal.

Cuidado y mantenimiento

⚠ PRECAUCIÓN

El hecho de limpiar regularmente la lavadora de vajilla asegura una más larga vida útil del producto y reduce el riesgo de problemas recurrentes. Siempre desconecte la máquina antes de limpiar.

⚠ ADVERTENCIA

- Antes de limpiar o llevar a cabo el mantenimiento, apague el artefacto, desconecte el enchufe de la red y corte la llave de agua.
- NO repare ni cambie ninguna parte de la lavadora de vajilla ni intente dar ningún servicio a menos que se recomiende específicamente en este manual. Recomendamos hacer reparar la lavadora de vajilla solo mediante un agente autorizado de servicio.

⚠ PRECAUCIÓN

- Para evitar la posibilidad de resbalarse, mantenga limpio y seco el piso alrededor de la lavadora de vajilla.
- Mantenga el artefacto libre de acumulación de materiales combustibles, como pelusa, trapos y agentes químicos.
- Si no está en uso la lavadora de vajilla por largo tiempo, recomendamos revisar que las cestas estén vacías, deje limpio el interior de la lavadora de vajilla, deje la puerta entreabierta para permitir que circule el aire, y apague la electricidad y el suministro de agua a la lavadora de vajilla

Cuidado del exterior de la lavadora de vajilla

⚠ PRECAUCIÓN

Posible daño de la lavadora de vajilla: Los limpiadores abrasivos, las esponjas para fregar, los paños abrasivos (toallas de papel) pueden dañar la puerta de la lavadora de vajilla.

Limpiar el panel de control

Use solo paños suaves ligeramente humedecidos con detergente suave. Limpie el panel de control solo con un paño húmedo y agua limpia.

Limpiar las puertas de color

Use solo un paño suave ligeramente humedecido con detergente suave.

Limpiar las puertas de acero inoxidable

Use un paño suave con un limpiador hecho para limpiar acero inoxidable. Para obtener óptimos resultados, aplique el limpiador de acero inoxidable con un paño suave, pasándolo por la superficie en la dirección de la veta.

Limpiar la empaquetadura de la puerta

Limpie regularmente la empaquetadura de la puerta con un paño húmedo para quitar partículas de comida y otros residuos. Use un limpiador casero suave para el exterior y los sellos de la puerta, y enjuague totalmente.

Cuidado del interior de la lavadora de vajilla

⚠ PRECAUCIÓN

Al limpiar por debajo del filtro principal, debe tener cuidado con el borde afilado exterior para evitar el riesgo de cortarse.

⚠ ADVERTENCIA

Si su lavaplatos tiene iluminación de interiores, sustitución debe realizarse únicamente por un agente de servicio autorizado.

Cuidado y mantenimiento

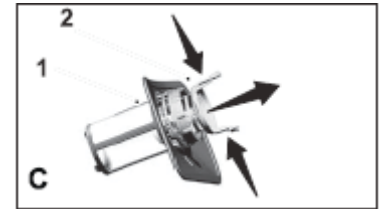
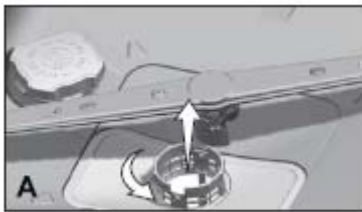
Limpeza de los filtros

Limpe regularmente los filtros y los brazos rociadores. Compruebe si los residuos de alimentos quedan en los filtros. Si hay residuos en los filtros, tómelos hacia fuera y limpie bien con agua corriente. Tiene una lavadora de platos sucio un efecto negativo en los resultados de limpieza.

⚠ PRECAUCIÓN

DO NOT operate your dishwasher without a filter. You will damage your machine. Ensure that your filters are correctly installed.

- Retire la rejilla inferior de la máquina.
- Gire el filtro grueso hacia la izquierda a la izquierda y tire de ella hacia fuera en una dirección ascendente A.
- Sacar el filtro de metal y plástico (3) de los asientos B.
- Presione las dos lengüetas de la interior de filtro grueso y del microfiltro C.
- Limpie los filtros completamente bajo agua corriente. Use un cepillo si es necesario.
- Reemplace el filtro de metal / plástico...
- Reemplazar el filtro grueso en el microfiltro. Asegúrese de que esté bien colocado. Nota: Incorrecta colocación de los filtros será reducir la eficiencia de lavado.
- Gírela hacia la derecha hasta que clics en su lugar.



Limpiar los brazos rociadores

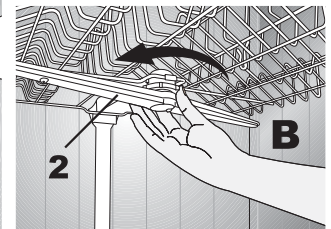
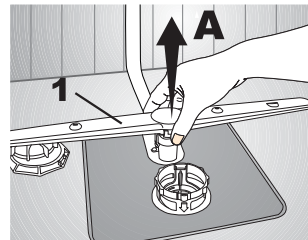
⚠ NOTA

NO opere la lavadora de vajilla sin filtro. Dañará la máquina. Revise que estén bien instalados los filtros.

1 Brazo rociador inferior

2 Brazo rociador superior

- Retire la rejilla inferior de la máquina.
- Saque el brazo rociador inferior extrayéndolo hacia arriba A.
- Suelte el tornillo de sujeción del brazo rociador superior y saque el brazo rociador B con un movimiento hacia abajo.
- Limpie los brazos rociadores bajo el agua corriente.
- Vuelva a poner el brazo rociador inferior en dirección hacia abajo.
- Vuelva a poner el brazo rociador superior y apriete el tornillo de sujeción girándolo hacia la izquierda.
- Inserte la rejilla inferior



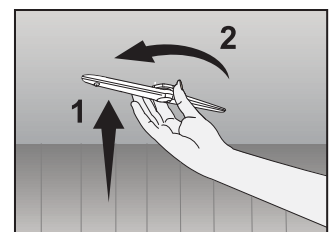
⚠ PRECAUCIÓN

Revise que el tornillo de sujeción quede apretado en el brazo rociador superior.

Verifique si están obstruidos los agujeros de encima del tercer brazo rociador. Si están obstruidos, saque y límpielos.

Para sacarlos, empújelos un poco hacia arriba (1) y luego gire hacia la derecha (2).

Para volver a colocar el propulsor, asíéntelo en la ranura, empuje hacia arriba un poco y gírelo hacia la izquierda hasta que quede firme. Cuando se suelte el propulsor, revise si gira sin ninguna obstrucción.



Solución de problemas

Los malos resultados del lavado no siempre pueden deberse a la lavadora de vajilla. Revise las siguientes tablas de solución de problemas para ver posibles maneras de subsanarlos. Puede hallar la solución correcta sin tener que llamar a un técnico de servicio.

Problema	Causa o solución posible
La lavadora de vajilla no se pone en marcha	<p>¿Está enchufada la máquina? ¿Funcionan todos los fusibles? ¿Está activado totalmente el suministro de agua? ¿Se ha cerrado bien la puerta de la lavadora de vajilla? ¿Ha pulsado el botón Encendido/Apagado?</p>
La lavadora de vajilla arranca pero no circula el agua en 5 segundos	<p>Cancele el programa presionando el botón Inicio/Pausa durante 5 segundos</p>
¿Qué pasa si no aparece "S:an" en el visor?	<p>Se ha interrumpido el ciclo de la lavadora de vajilla o no llegó el agua a la temperatura equerida</p>
La puerta no se mantendrá abajo en la posición abierta	<p>Ajuste los tensores de la puerta (solo modelos con panel personalizado, vea la Guía de instalación).</p>
Los platos no están secos	<p>Carga indebida: Cargue la lavadora de vajilla como se sugiere en este manual.</p> <p>Suministro insuficiente del agente de enjuague: Aumente la cantidad de la dosis del agente de enjuague y/o recargue el agente de enjuague.</p> <p>Se sacan los platos demasiado pronto: No vacíe la lavadora de vajilla inmediatamente después del lavado. Abra un poco la puerta para que pueda escapar el vapor. Empiece a descargar la lavadora de vajilla cuando los platos estén solo tibios al tacto. Vacíe primero la rejilla inferior. Esto evita que goteen encima los platos de la rejilla superior.</p> <p>Selección del programa errado: En programas cortos, la temperatura del lavado es más baja y, por lo tanto, el rendimiento del lavado es menor. Elija un programa con un tiempo más largo de lavado.</p> <p>Lavado de cuchillería con la superficie desgastada: La evaporación del agua es más difícil con estos artículos. La cuchillería o los platos de este tipo no es apta para las lavadoras de vajilla.</p>
Manchas de té, café o de otros tipos	<p>Selección del programa errado: Seleccione un programa que lave a mayor temperatura o que tarde más tiempo.</p> <p>El detergente está mojado o se aglomera en la caja: Los blanqueadores en los limpiadores pierden su eficiencia cuando se guardan bajo condiciones desfavorables. Guarde los detergentes en un lugar seco. Cierre la tapa del envase firmemente.</p> <p>Uso de cuchillería con baja calidad superficial: La limpieza de estos artículos se dificulta debido a su mala estructura superficial. La cuchillería o los platos de este tipo no son aptos para las lavadoras de vajilla.</p>
Se rompen los platos	<p>Carga indebida. Cargue la lavadora de vajilla como se sugiere en este manual.</p> <p>Rejillas sobrecargadas. No sobrecargue la rejilla de platos. Pueden golpearse los platos entre sí y romperse.</p>

Solución de problemas

Problema	Causa o solución posible
<p>Los platos no están limpios</p>	<p>Carga indebida: Cargue la lavadora de vajilla como se sugiere en este manual.</p> <p>Selección del programa errado: Seleccione un programa que lave a mayor temperatura o que tarde más tiempo.</p> <p>No giran los brazos rociadores: Revise si los brazos rociadores están bloqueados y no se mueven libremente.</p> <p>Filtros obstruidos: Limpie todos los filtros como se describe en este manual.</p> <p>Los filtros no se colocan en sus posiciones correctas: Revise si están todos los filtros colocados en sus posiciones correctas.</p> <p>Las boquillas de los brazos rociadores están bloqueadas: Limpie los brazos rociadores como se describe en este manual.</p> <p>Rejillas sobrecargadas: No sobrecargue las rejillas. El detergente está mojado o se aglomera en la caja: Guarde los detergentes en un lugar seco. Cierre la tapa del envase firmemente.</p> <p>Muy poco detergente: Aumente la cantidad de detergente conforme a la tabla de programas.</p> <p>Muy poco agente de enjuague: Aumente la cantidad del agente de enjuague y/o recargue el dispensador del agente de enjuague.</p> <p>Quedó abierta la tapa del dispensador de detergente: Asegúrese siempre de cerrar la tapa del dispensador de detergente después de verter el detergente.</p> <p>Lavado de cuchillería que tiene la superficie desgastada: La cuchillería de este tipo no es apta para las lavadoras de vajilla.</p>
<p>Rayas de calcio, aspecto nebuloso</p>	<p>Suministro insuficiente del agente de enjuague: Aumente la cantidad de la dosis del agente de enjuague y/o recargue el agente de enjuague.</p> <p>La dureza no se ha seleccionado correctamente; se está usando muy poca sal: Llame al proveedor de agua y pregunte cuál es la dureza local en granos por galón o ppm.</p> <p>Pérdida de sal (modelos con receptáculo para sal): Revise si la tapa del receptáculo de sal está cerrada firmemente. Use el embudo para verter la sal especial. Empiece el programa Enjuague y espera justo después de llenar con sal. Después de terminar el programa, vea si se soltó la tapa.</p>
<p>Decoloración de diseños en copas, loza fina o porcelana</p>	<p>Desteñido de la decoración de copas y porcelana: Las copas, porcelana y cuchillería de este tipo no son aptos para la lavadora de vajilla.</p>

Solución de problemas

Problema	Possible Cause and/or Remedy
Olor	<p>Olor a máquina nueva: El olor a máquina nueva desaparece después de varios ciclos de lavado con detergente.</p> <p>Los filtros están sucios: Limpie todos los filtros como se describe en este manual.</p> <p>Han quedado platos sucios en la máquina sin lavar durante varios días: Limpie la suciedad bajo el agua corriente y use el programa Enjuagar y esperar cada dos días sin detergente.</p> <p>Empaquetadura sucia de la puerta: Limpie regularmente la empaquetadura de la puerta con un paño húmedo para quitar partículas de comida y otros residuos. Use un limpiador casero suave para el exterior y los sellos de la puerta, y enjuague totalmente.</p>
Aspecto lechoso o de arco iris en los vasos (corrosión del vidrio)	<p>Uso excesivo de detergente cuando es baja la dureza del agua:</p> <ul style="list-style-type: none"> • Agregue un poco de detergente. • Compare el ajuste del nivel de dureza del agua en la lavadora de vajilla contra los valores indicados por el proveedor de agua. • Cuando la dureza del agua es baja (bajo 7 grados de dureza o 106 partes por millón), NO use sal aun cuando la lavadora de vajilla tenga un ablandador de agua.
Manchas de óxido, destrucción de la superficie	<p>La tapa del receptáculo de sal no se ha cerrado bien. Pérdida de sal (modelos con receptáculo para sal):</p> <ul style="list-style-type: none"> • La sal puede destruir las superficies de metal y causar daño por corrosión. • Revise si la tapa del receptáculo de sal está firmemente cerrada. Use el embudo para verter la sal especial. Empiece el programa Enjuague y espera justo después de llenar con sal. Después de terminar el programa, vea si se soltó la tapa. <p>Quedan restos de comida demasiado tiempo en los platos: Limpie la suciedad bajo el agua corriente y use el programa Enjuagar y esperar cada dos días sin detergente.</p> <p>La máquina no se ha conectado a tierra correctamente: Revise la puesta a tierra del sistema. La electricidad estática puede horadar el metal y cause daño irreparable a las superficies.</p> <p>Piezas de cuchillería de acero inoxidable de bajo grado: No puede evitarse el óxido en estos artículos. La cuchillería o los platos de este tipo no son aptos para la lavadora de vajilla.</p> <p>Platos con manchas de óxido: Los platos oxidados pueden "infectar" otros artículos. La cuchillería o los platos de este tipo no son aptos para la lavadora de vajilla.</p>
Queda agua dentro de la máquina después del ciclo de enjuague.	<p>Limpie todos los filtros como se describe en este manual. Revise que la manguera de desagüe esté bien colocada y abierta.</p>
Espuma	<p>Se lavan los platos previamente a mano con gran cantidad de detergente lavaplatos: No es necesario lavar antes los platos. La suciedad puede eliminarse con un paño para platos o puede sostenerlos bajo el agua corriente.</p> <p>Se ha filtrado agente de enjuague inadvertidamente dentro de la máquina: Si se ha derramado agente de enjuague durante la recarga, retire el agente usando una toalla de papel o esponja.</p> <p>La cubierta del dispensador de agente de enjuague no está bien cerrada: Siempre tenga cuidado de confirmar que quede cerrada la tapa después de recargar el dispensador de agente de enjuague.</p>

Solución de problemas

Problema	Causa o solución posible
<p>Queda residuo de detergente en el dispensador.</p>	<p>Humedad en el dispensador de detergente. Confirme que esté seco el dispensador de detergente antes de llenarlo.</p> <p>Queda mucho tiempo el detergente en el dispensador. Vierta el detergente justo antes de lavar.</p> <p>No se abre la tapa del dispensador de detergente. Al cargar la lavadora de vajilla, tenga cuidado de asegurarse de no bloquear por casualidad la taza de detergente con platos o utensilios grandes.</p> <p>El detergente está mojado o aglomerado en la caja: Guarde los detergentes en un lugar seco. Cierre la tapa del envase con cuidado.</p> <p>Las boquillas de los brazos rociadores están bloqueadas. Limpie los brazos rociadores como se describe en este manual.</p> <p>Los brazos rociadores están bloqueados por los utensilios. Revise que los brazos rociadores giran libremente.</p> <p>¿Se terminó antes el ciclo? Si se termina prematuramente el ciclo puede quedar residuo de detergente en el dispensador.</p>
<p>Platos rayados</p>	<p>Platos/piezas de aluminio: Los platos y la cuchillería de este tipo no son aptos para la lavadora de vajilla. La tapa del receptáculo de sal no se ha cerrado bien.</p> <p>Pérdida de sal (modelos con receptáculo para sal): Revise si la tapa del receptáculo de sal está cerrada firmemente. Use el embudo para verter la sal especial. Empiece el programa Enjuague y espera justo después de llenar con sal. Después de terminar el programa, vea si se soltó la tapa.</p> <p>La dureza no se ha seleccionado correctamente; se está usando muy poca sal: Llame al proveedor de agua y pregunte cuál es la dureza local en granos por galón o ppm. Ajuste el nivel de dureza del agua como corresponda.</p> <p>Los detergentes se están guardando bajo condiciones desfavorables: No deben guardarse los detergentes más de dos meses en envases abiertos. Guarde los detergentes en un lugar seco. Cierre la tapa del envase con cuidado.</p> <p>Rejillas sobrecargadas: Tenga cuidado de asegurar que no se toquen los vasos y platos individuales. Pueden golpearse entre sí durante el proceso de lavado, causando rayas.</p>

Información de servicio

Si se requiere servicio, llame a su agencia de servicio autorizado.

Tenga a mano la siguiente información.

- Número de modelo
- Número de serie
- Fecha de compra
- Nombre del distribuidor donde hizo la compra

Describa claramente el problema que tiene. Si no puede obtener el nombre de una agencia de servicio autorizada, o si continúa teniendo problemas de servicio, póngase en contacto con Viking Range, LLC llamando al 1-888-845-4641, o escriba a:

**VIKING RANGE, LLC
PREFERRED SERVICE
111 Front Street
Greenwood, Mississippi 38930 EE.UU.**

Anote la información que se indica a continuación. Va a necesitarla si alguna vez requiere servicio. Los números de modelo y de serie se hallan en una etiqueta de identificación adosada en el lado izquierdo del tanque. Para obtener acceso, simplemente abra la puerta de la lavadora de vajilla.

Núm. de modelo. _____ Núm. de serie. _____

Fecha de compra _____ Fecha de instalación _____

Nombre del distribuidor _____

Dirección _____

Si el servicio requiere instalación de piezas, use repuestos autorizados únicamente para asegurar la protección de la garantía.

Conserve este manual para referencia futura.

Garantía

GARANTÍA DE LAS LAVADORAS DE VAJILLA EMPOTRADAS GARANTÍA TOTAL DE UNO AÑO

Las lavadoras de vajilla y todas sus piezas componentes, excepto como se detalla a continuación*†, están garantizadas para no tener defectos en materiales y fabricación en condiciones de uso residencial normal por un periodo de uno (a) año a partir de la fecha de la compra original en la tienda o a partir de la fecha de cierre de una nueva construcción, el periodo que sea mayor. Viking Range, LLC como garante, acepta reparar o reemplazar, a su opción, cualquier pieza que falle o se encuentre defectuosa durante el periodo de garantía.

*GARANTÍA COSMÉTICA TOTAL DE NOVENTA (90) DÍAS: El producto está garantizado sin defectos estéticos en materiales o fabricación (tales como rayas en el acero inoxidable, manchas en la pintura o enlozado, etc.) por un periodo de noventa (90) días a partir de la fecha de compra original o la fecha de cierre de una nueva construcción, el periodo que sea mayor. Cualquier defecto debe reportarse al distribuidor vendedor dentro de noventa (90) días a partir de la fecha de la compra original. Viking Range, LLC utiliza procesos y materiales de alta calidad disponibles para producir todos los acabados de color. Sin embargo, puede notarse una leve variación de color debido a las diferencias inherentes en las piezas pintadas y en piezas de porcelana así como diferencias en la iluminación de la cocina, las ubicaciones del producto y otros factores. Por lo tanto, esta garantía no es aplicable a las variaciones de color atribuibles a dichos factores.

†GARANTÍA TOTAL POR NOVENTA (90) DÍAS EN APLICACIONES "RESIDENCIAL PLUS": Esta garantía total corresponde a aplicaciones donde el uso del producto se extiende más allá del uso residencial normal, pero el periodo de garantía para los productos usados en tales condiciones es de noventa (90) días. Ejemplos de aplicaciones cubiertas por esta garantía son desayunadores, estaciones de bomberos, clubes privados, iglesias, yates, etc. Bajo esta garantía "Residencial Plus", el producto, sus componentes y accesorios están garantizados a no tener defectos en materiales o fabricación por un periodo de noventa (90) días a partir de la fecha de compra original. Esta garantía excluye el uso del producto en todo local comercial como restaurantes, centros de servicio de comidas y centros de servicio institucional.

GARANTÍA LIMITADA DE CINCO AÑOS EN REJILLAS DE NYLON, CONTROLES ELECTRÓNICOS, ENSAMBLAJE DE MOTOR/BOMBA, Y COMPONENTES DEL SISTEMA DE DISTRIBUCIÓN DE AGUA

Cualquier rejilla superior y/o inferior de nylon que se oxide debido a defectos en materiales o fabricación y todo control electrónico que falle debido a defectos en materiales o fabricación con el uso casero normal durante el cuarto al quinto año a partir de la fecha de compra original será reparado o reemplazado, sin cargo alguno por la pieza misma, y el propietario pagará por todos los demás costos, incluida la mano de obra. Todo componente del ensamblaje de motor/bomba o del sistema de distribución de agua, conforme a la lista a continuación, que falle debido a defectos en materiales o fabricación bajo condiciones normales de uso doméstico desde el cuarto hasta el quinto año a partir de la fecha de compra original será reparado o reemplazado, sin cargo alguno por la pieza misma, y el propietario pagará todos los demás costos, incluida la mano de obra.

Componentes de motor/bomba y sistema de distribución de agua:

Motor/bomba de circulación
Brazo de lavado inferior
Motor/bomba de desagüe
Tubo al brazo de lavado superior
Válvula de llenado
Brazo de lavado superior
Desviador

GARANTÍA VITALICIA LIMITADA EN EL TANQUE Y REVESTIMIENTO DE ACERO INOXIDABLE

Todo tanque o revestimiento interior de la puerta de acero inoxidable que presente fugas de agua debido a defectos en materiales o fabricación bajo condiciones normales de uso doméstico durante la vida útil del producto será reparado o reemplazado, sin cargo alguno por la pieza misma, y el propietario pagará todos los demás costos, incluida la mano de obra. Esta garantía excluye la corrosión de la superficie, rayaduras, decoloración, condiciones de humedad o atmosféricas o prácticas de limpieza que son parte del uso residencial normal.

TÉRMINOS Y CONDICIONES

Esta garantía se extiende al comprador original del producto garantizado conforme al presente y a cada propietario por cesión del producto durante el plazo de la garantía y es aplicable a los productos comprados y ubicados en los Estados Unidos, Canadá, México y el Caribe, (no incluye República Dominicana, Cuba ni Haití). Los productos deben comprarse en el país donde se solicite el servicio. Si el producto o uno de sus componentes contiene un defecto o desperfecto durante el periodo total de garantía después de un número razonable de intentos por parte del garante de remediar el defecto o desperfecto, el propietario tiene derecho a un reembolso o reemplazo del producto o su(s) componente(s). El reemplazo de un componente incluye su instalación gratis, salvo como lo especifique la garantía limitada. De conformidad con los términos de esta garantía, el servicio debe realizarlo un agente o representante de servicio autorizado por la fábrica de Viking Range, LLC. El servicio se prestará durante horarios normales de trabajo, y la mano de obra llevada a cabo en horas inhábiles o con tarifas especiales no estará cubierta por esta garantía.

El propietario será responsable de la instalación correcta, de dar mantenimiento razonable y necesario, entregar comprobante de compra sobre su solicitud y proporcionar acceso razonable al aparato para el servicio. Devolver la Tarjeta de registro del propietario no es condición para la cobertura de la garantía. No obstante, debe devolver la Tarjeta de registro del propietario para que Viking Range, LLC pueda ponerse en contacto con usted en caso de que surja una cuestión de seguridad que pueda afectarlo a usted. Esta garantía le otorga derechos legales específicos y también puede tener otros derechos que varían de una jurisdicción a otra.

LO QUE NO CUBRE ESTA GARANTÍA: Esta garantía no aplica a daños que resulten de abuso, falta de mantenimiento razonable y necesario, accidentes, entrega, negligencia, desastres naturales, pérdida de energía eléctrica al producto por algún motivo, alteración, uso en exteriores, instalación indebida, operación indebida, o reparación o servicio del producto por parte de terceros ajenos a agencias o representantes de servicio autorizado de Viking Range, LLC. Esta garantía no es aplicable al uso comercial.

LIMITACIÓN DE REMEDIOS Y DURACIÓN DE LA GARANTÍA IMPLÍCITA EL REMEDIO ÚNICO Y EXCLUSIVO PARA UN RECLAMO DE CUALQUIER TIPO QUE SEA CON RESPECTO A ESTE PRODUCTO SERÁ EL ESTIPULADO ANTERIORMENTE. VIKING RANGE, LLC NO SE HACE RESPONSABLE POR DAÑOS Y PERJUICIOS, INCLUIDOS PERO NO LIMITADOS A, PÉRDIDA DE ALIMENTOS O MEDICAMENTOS, DEBIDO A FALLA DEL PRODUCTO, QUE SURJAN POR INCUMPLIMIENTO DE LA GARANTÍA, INCUMPLIMIENTO DE CONTRATO O DE OTRO MODO. Algunas jurisdicciones no permiten excluir o limitar daños fortuitos o consecuentes, de tal modo que la limitación o las exclusiones anteriores pueden no corresponder a su caso. CUALQUIER GARANTÍA DE COMERCIABILIDAD O APTITUD DE UN PRODUCTO PARA UN PROPÓSITO EN PARTICULAR SE LIMITA A LA DURACIÓN DEL PERIODO DE COBERTURA DE LAS GARANTÍAS LIMITADAS ESCRITAS Y EXPRESADAS CONFORME A LO ESTABLECIDO EN LA PRESENTE GARANTÍA. Algunos estados no permiten limitar la duración de una garantía implícita, de tal modo que la limitación anterior puede no corresponder a su caso.

SERVICIO DE GARANTÍA

Para obtener servicio de garantía, póngase en contacto con un agente de servicio autorizado o con Viking Range, LLC, 111 Front Street, Greenwood, Mississippi 38930, (888) 845-4641. Indique el número de modelo y de serie, así como la fecha de la compra original o la fecha de cierre de una construcción nueva. Para saber el nombre de su agencia de servicio autorizado más cercana de Viking Range, LLC llame a Viking Range, LLC. IMPORTANTE: Retenga el comprobante de la compra original para establecer el periodo de garantía.

Las especificaciones están sujetas a cambios sin previo aviso.

Viking Range, LLC
111 Front Street
Greenwood, Mississippi 38930 USA
(662) 455-1200

Para información del producto,
llame al 1-888-845-4641
o visite nuestro sitio web en los EE. UU.
www.vikingrange.com o en Canadá en www.brigade.ca