

Installation MANUAL



1 & 3 SERIES

Built-In Dishwashers

*VDW302 / VDW302WS
RVDW103 / RVDW103WS
FDW103 / FDW302
FDW103WS/ FDW302WS
CFDW103 / CFDW302*

Table of Contents

Important Safety Instructions _____	3
Tools Which May Be Needed _____	5
Materials Which May Be Needed _____	6
Materials Supplied _____	7
Parts Supplied _____	7
Dishwasher Specifications _____	8
Enclosure Preparation _____	9
Electrical Preparation _____	9
Preparation for Installing Mounting Brackets _____	9
Adjusting Height _____	9
Installing the Side Trim Strips _____	10
Preparing the Water Connection _____	11
Drain Preparation _____	12
Steam Protection Foil _____	13
Installation _____	14
Drain Hose Connection, Water Supply & Electrical Connections _____	14
Preparation of Water Supply _____	15
Electrical Connection _____	18
Readjusting Foot Levels _____	19
Adjusting Moveable Kickplate _____	19
Installing a Custom Panel _____	21
Installer Checklist _____	26
Final Instructions _____	26
Service & Registration _____	27

IMPORTANT— Please Read and Follow

⚠ WARNING

Read these installation instructions completely before installing and follow them carefully. Save these installation instructions and pass them on to any future user.

- Please read this installation manual and particularly the safety instructions completely and carefully. They will save you time and effort and help to ensure optimum dishwasher performance.
- Be sure to observe all listed warnings and cautions. Look particularly for the icons with exclamation marks inside. The information icon also will provide important references.

⚠ WARNING

Indicates a potentially hazardous situation which, if not avoided, could result in death or serious injury.

⚠ NOTICE

Indicates a potentially hazardous situation which, if not avoided, may result in damage to the dishwasher, the tableware, the equipment, or the environment.

⚠ CAUTION

Indicates a potentially hazardous situation which, if not avoided, may result in injury. It may also be used to alert against unsafe practices.

In addition to these instructions, the dishwasher shall be installed:

- In accordance with all local codes or, in absence of a local code,
- In the United States, with the national Electric Code,
- In Canada, with the Canadian Electric Code C22.1-latest edition/Provincial and Municipal codes and/or local codes.

When installing the dishwasher, follow basic precautions, including the following:

- The dishwasher should only be converted from cord-connected to permanently connected by an authorized service representative.
- Installation and repair should be performed by a qualified installer. Work by unqualified persons could be dangerous and may void the warranty.

⚠ NOTICE

Installation should be performed by an insured licensed plumber, contractor, or trained installer. Installation performed by persons other than this could result in improper installation and property damage.

⚠ NOTICE

- Do not discard any bags or items that come with the original package until after the entire installation has been completed.

Site Preparation

It is recommended that a thorough site inspection be conducted PRIOR to unpacking and moving this appliance.

IMPORTANT— Please Read and Follow

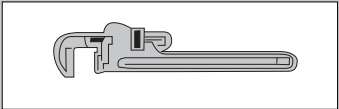
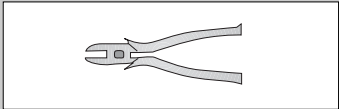
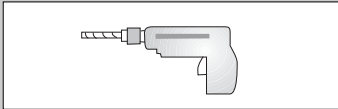
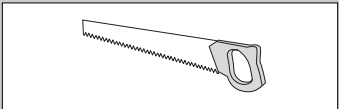
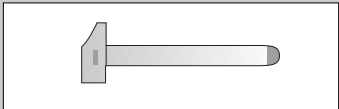
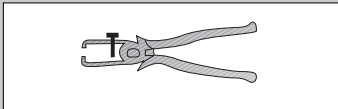
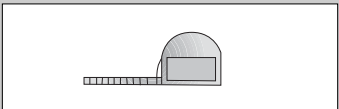
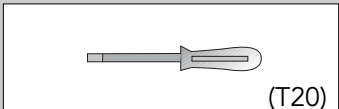
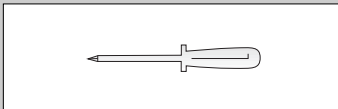
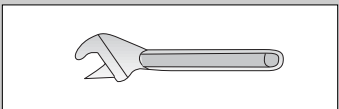
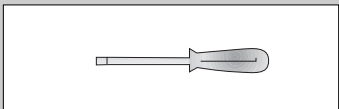
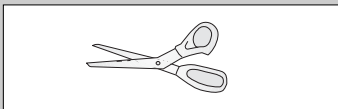
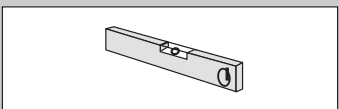
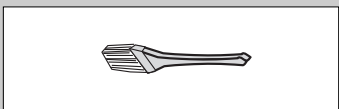
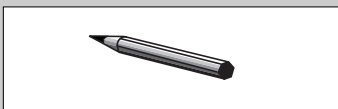
- **DO NOT** operate the appliance if damaged, malfunctioning, partially disassembled, or if it has missing or broken parts.
- Also follow the safety instructions of the use and care guide.
- To reduce the risk of electric shock, fire, or injury to persons, the installer must ensure that the dishwasher is completely enclosed at the time of installation.
- Only connect the dishwasher to the power supply when all installation and plumbing work is complete.
- If the dishwasher is installed in a location that experiences freezing temperatures (e.g. in a vacation home, cabin, etc.), you must drain all the water from the dishwasher's interior. Water system ruptures that occur as a result of freezing are not covered by warranty.
- Dishwasher must be secured to adjacent cabinetry using the brackets provided. Failure to do this may cause damage to property or bodily injury.
- Connect to a properly rated, protected, and sized power supply circuit to avoid electrical overload. The dishwasher is designed for an electrical supply of **120V (volts), 60Hz (hertz), AC**, connected to a dishwasher-dedicated, properly grounded electrical circuit with a fuse or breakers rated for 15 amperes. Electrical supply conductors shall be a minimum of #16 AWG copper wire rated at 167°F (75°C) or higher. These requirements must be met to prevent injury and machine damage. Consult a qualified electrician if in doubt.
- **DO NOT** use any extension cord or portable outlet device to connect the dishwasher to a power supply.
- Ensure that any plastic wrappings, bags, small pieces, etc., are disposed of safely and kept out of the reach of children. Danger of suffocation!
- Remove the dishwasher door when removing an old dishwasher from service or discarding it. Ensure that the appliance presents no danger to children while being stored for disposal.
- Old appliances may contain materials that can be recycled. Please contact your local recycling authority about the possibility of recycling these materials.

NOTICE

- The dishwasher drain hose must be installed with a drain loop at least 28" (710mm) off the cabinet floor; otherwise the dishwasher may not drain properly.
- This dishwasher is intended for residential use only and should not be used in commercial establishments.
- New Installation: If the dishwasher is a new installation, most of the work must be done before the dishwasher is moved into place.
- Replacement: If the dishwasher is replacing another dishwasher, check the existing dishwasher connections for compatibility with the new dishwasher, and replace parts as necessary.
- Inspect the Dishwasher: After unpacking the dishwasher and prior to installation, thoroughly inspect the dishwasher for possible freight or cosmetic damage. Report any damage immediately.

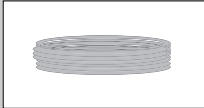
To contact us, you may either call our toll-free number at 1-888-845-4641 or contact us via the website in the US (www.vikingrange.com) or in Canada (www.brigade.ca).

General Information

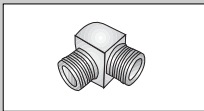
Tools Which May Be Needed		
		
Pipe Wrench	Wire Cutter	Drill
		
Hole Saw	Hammer	Wire Stripper
		
Tape Measure	Torx Screwdriver (T20)	Phillips Screwdriver
		
Adjustable Wrench	Slot Screwdriver	Scissors
		
Level	Brush	Pencil

General Information

Materials Which May Be Needed



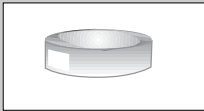
Hot Water Supply Line – Minimum 3/8" O.D. copper tubing or metal braided dishwasher supply line.



90° elbow with 3/8" N.P.T. male threads on one leg, and sized to fit your water supply line (copper tubing/compression fitting, or braided hose) on the other leg.



UL listed conduit connector or strain relief.



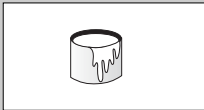
Teflon tape or other pipe thread compound to seal plumbing connections.



Shut-off valve and fittings appropriate for hot water supply line (copper tubing/compression fitting, or braided hose).



Silicone.

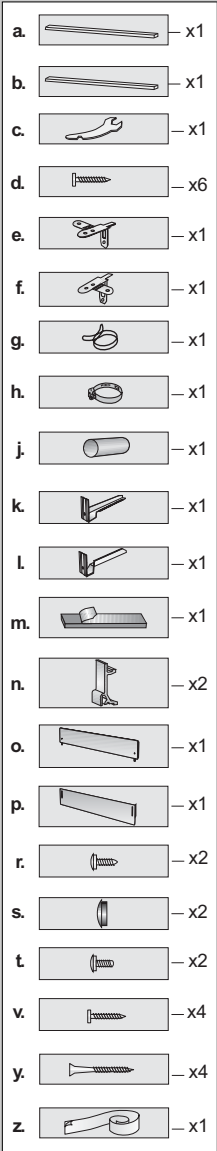


Glue.

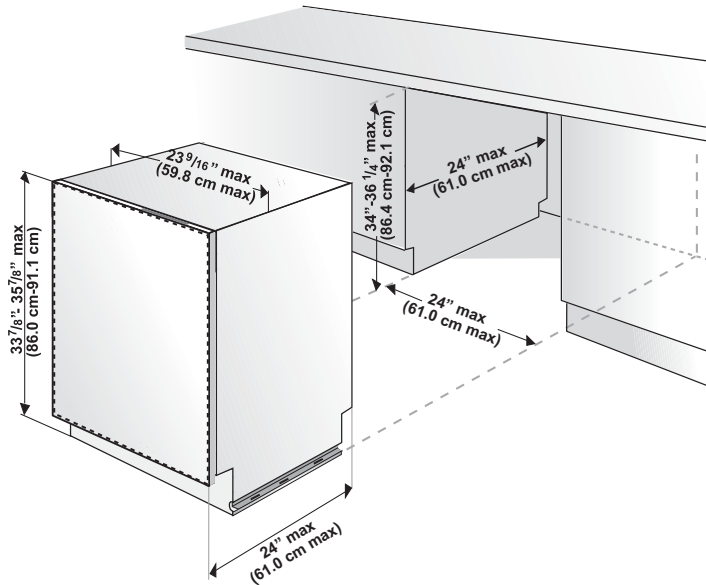
General Information

Parts Supplied

Parts for your dishwasher will come in several plastic bags. Check your parts bags to make sure you have all the parts as listed below.

Materials Supplied		
	<p>Dishwasher Parts Bag 1 This dishwasher bag comes with the following parts:</p> <ul style="list-style-type: none"> a. Side Trim Strips – Left b. Side Trim Strips – Right c. Adjusting Wrench d. Screws \varnothing 1/8" x 5/8" (\varnothing 3.5mm x 14mm) e. Mounting Bracket – Left f. Mounting Bracket – Right g. Spring Clamp h. Screw Clamp j. Rubber Connector k. Kickplate Bracket – Left l. Kickplate Bracket – Right m. Edge Protector n. Clips o. Kickplate (kickplate without slots) p. Kickplate r. Screws \varnothing 1/8" x 3/8" (\varnothing 3.9mm x 9mm) s. Plastic Caps t. Screws \varnothing 3/16" x 1/4" (\varnothing 4mm x 6mm) z. Steam Protection Foil 	<p>Dishwasher Parts Bag 2</p> <ul style="list-style-type: none"> v. Screws \varnothing 1/8" x 5/8" (\varnothing 3.5mm x 14mm) y. Screws \varnothing 3/16" x 1-3/4" (\varnothing 4mm x 43mm) <p>Parts Attached to the Rear of the Dishwasher</p> <ul style="list-style-type: none"> a. Side Trim Strips – Left b. Side Trim Strips – Right o. Kickplate (Kickplate without slots) p. Kickplate

Specifications



Built-In Dishwasher	
Overall Width	23-9/16" (59.8 cm)
Overall Height from Floor	33-7/8 (86.0 cm) min. to 35-7/8" (91.1 cm) max.
Overall Depth from Rear	without door panel – 21 5/8" (54.9 cm) with door panel – 22 3/16" (156.4 cm)
Cutout Width	24" (61.0 cm)
Cutout Height	34" (86.4 cm) min. to 36" (91.4 cm) max.
Cutout Depth	24" (61.0 cm)
Electrical Requirements	12.0 amps, 120V/60 Hz; 4' (1.2 m) electrical cord supplied with unit
Water-Heating Element Rating	1240 watts
Inlet Water Temperature	120°F (49°C) required
Inlet Water Pressure Operating Range	4.35 to 145 psi (.3 - 10 bar)
Inlet Water Hose	Minimum 3/8" OD copper tubing or braided metal water line required.
Drain Hose	6.4' (1.9 m) drain hose provided
Drain Hose High Loop Required	Height from floor – 28" (71.1 cm)
Approximate Shipping Weight	97 lbs. (44 kg)

⚠ NOTICE

Because we continually strive to improve our products, we may change our specifications and design without prior notice. This device corresponds to the following directives: UL 749 Household Dishwasher Directive.

Enclosure Preparation

Electrical Preparation

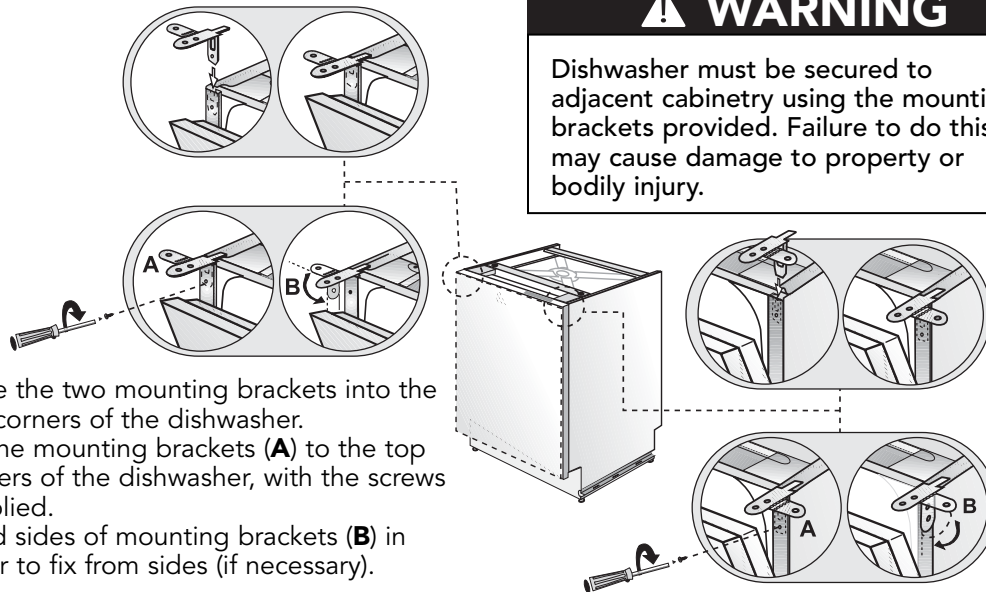
⚠ WARNING

The dishwasher is designed for an electrical supply of 120V, 60Hz, AC, connected to a dishwasher-dedicated, properly grounded electrical circuit with a fuse or breaker rated for 15 amperes.

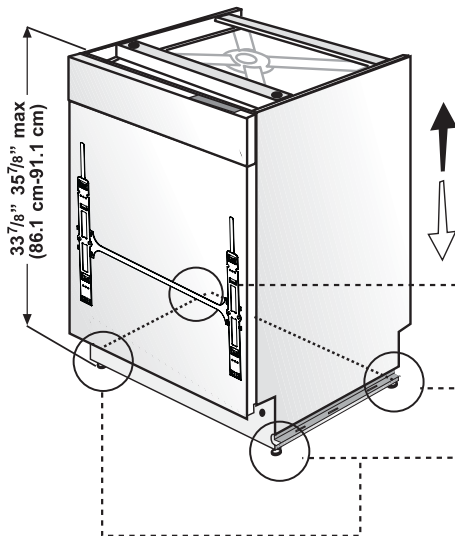
Preparation for Installing Mounting Brackets

⚠ WARNING

Dishwasher must be secured to adjacent cabinetry using the mounting brackets provided. Failure to do this may cause damage to property or bodily injury.



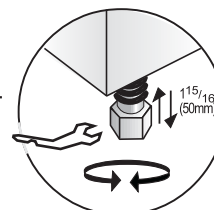
- Place the two mounting brackets into the top corners of the dishwasher.
- Fix the mounting brackets (A) to the top corners of the dishwasher, with the screws supplied.
- Bend sides of mounting brackets (B) in order to fix from sides (if necessary).



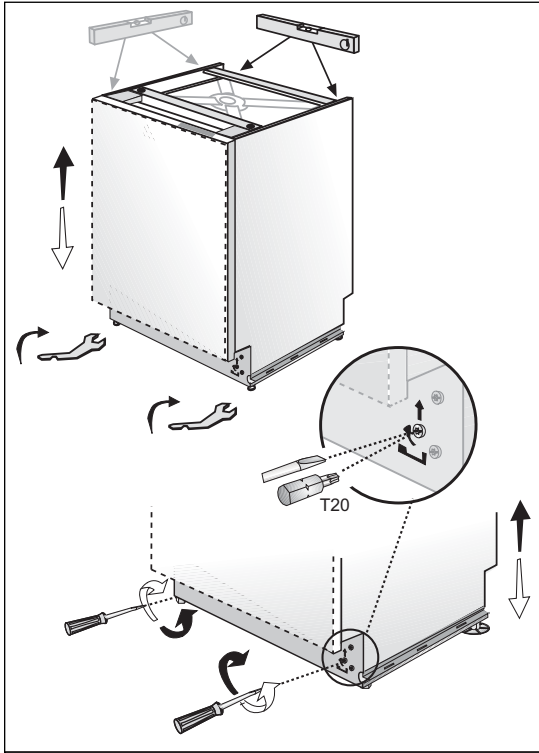
Adjusting Height

If the height of the enclosure is 33-7/8" to 35-7/8" (86.1cm-91.1cm), adjust supports as shown in the figure.

Supplied (4)



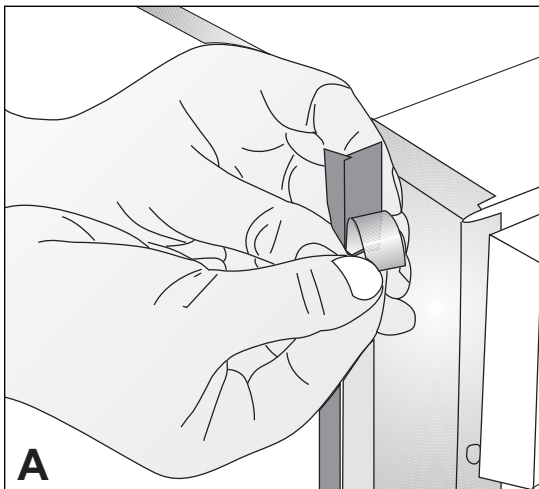
Enclosure Preparation



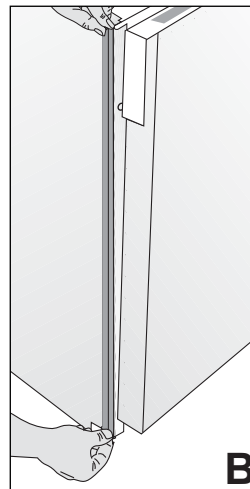
- Adjust the front foot level with the adjusting wrench to balance and raise the dishwasher to the enclosure height.
- Adjust the rear foot level with a screwdriver to balance and raise the dishwasher to the enclosure height.

⚠ NOTICE

- Make sure the dishwasher is plumb and notice dishwasher can be placed with a small clearance under the counter top.
- Turning the screwdriver in the direction of the black arrows will bring the dishwasher back feet up.
- Turning the screwdriver in the direction of the white arrows will take the dishwasher rear feet down.



A



B

Installing the Side Trim Strips

- Remove the adhesive tape (Figure **A**).
- Place the trim strips on the front edge of the side walls (Figure **B**).

⚠ NOTICE

Make sure you use the correct trim strip since there is a left and a right side strip. The flexible material should be facing forward (Figure **B**).

Installation Preparation

Preparing the Water Connection (A)

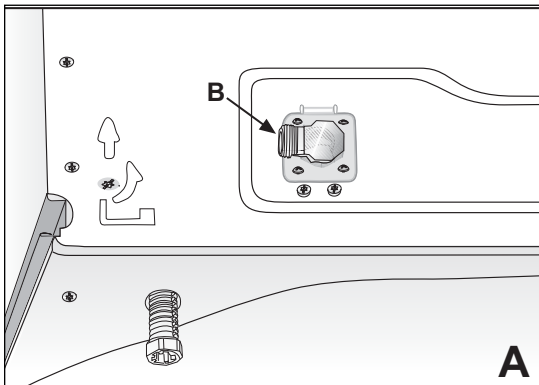
- Install an easily accessible shut-off valve (not supplied) in the water supply line. All solder connections must be made before the water line is connected to the dishwasher's water inlet valve. Water can also be supplied to the dishwasher by using a flexible braided hose line.
- Check with your plumbing supply sources for the proper hose and 90° elbow and necessary fittings for the water supply line. This material is not supplied and must be purchased separately.

⚠ WARNING

Installation should be performed by a qualified installer. Work by unqualified persons could be dangerous and may void the warranty.

If the dishwasher is installed in a location that experiences freezing temperatures (e.g. in a vacation home, cabin, etc.), you must drain all the water from the dishwasher's interior. Water system ruptures that occur as a result of freezing are not covered by warranty.

Installing the 90° Elbow Fitting (B)



⚠ CAUTION

Do not overtighten the 90° elbow. Doing so may damage the water inlet valve and cause a water leak.

If the water supply line is to be copper tubing, make certain that the elbow has a compression fitting. Apply Teflon tape or other pipe sealant when required. Orient the water supply connection downwards as shown in the figure so the water line can be easily pulled underneath or on the side of the dishwasher.

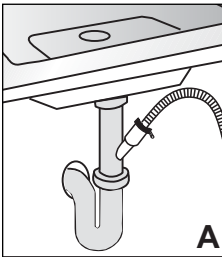
Installation Preparation

Drain Preparation

The dishwasher drain hose may be connected to the drain plumbing in one of three ways, (Figures **A**, **B**, **C**):

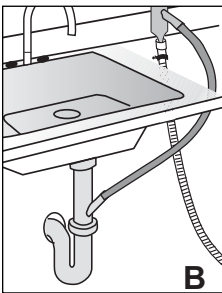
⚠ NOTICE

- Either one of the above methods must be used or the dishwasher will not operate properly.
- A hose that attaches to a sink spray can burst if it is installed on the same water line as the dishwasher. If your sink has one, it is recommended that the hose be disconnected and the hole plugged.
- The total length of the drain hose is 76-3/4" (1950mm). If a hose extension is required, a drainage hose of equal quality must be used.
- The maximum length must not exceed 157-1/2" (4000mm). Otherwise, the cleaning process is negatively influenced.



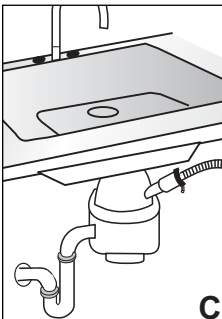
Under the Sink Drain

- Install a Y-branch tail pipe (Figure **A**).



Installing an Air Gap

- If the local ordinance requires an air gap (Figure **B**).



Disposal

- Remove the drain connection plug before attaching the drain hose from the dishwasher.
- Every disposal has a hook-up for a dishwasher; consult your disposer manual for correct connection (Figure **C**).

⚠ NOTICE

You must add a loop at least 28" (71.1cm) above the floor of the cabinet and above the drain connection in the drain hose to prevent waste water from not draining properly and causing either poor washing results or a bad odor.

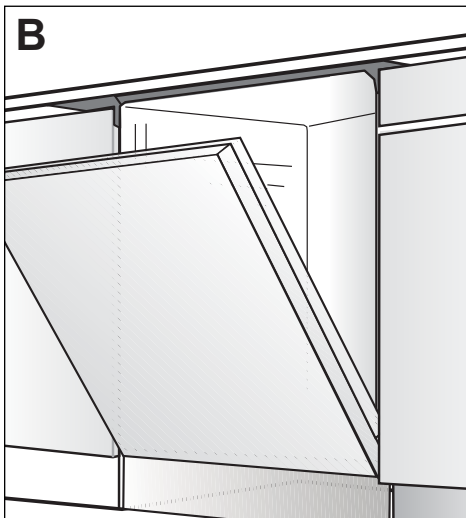
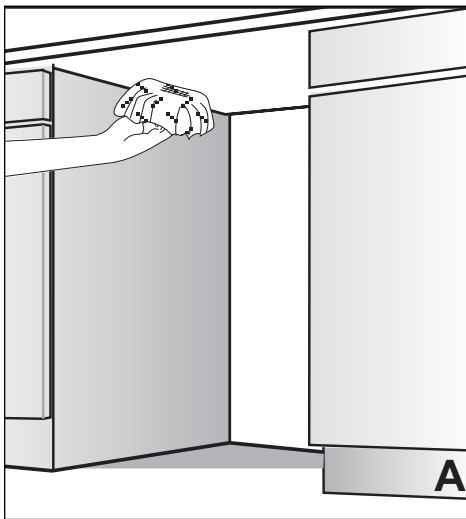
⚠ NOTICE

Check with local ordinance for type of air gap required.

Installation Preparation

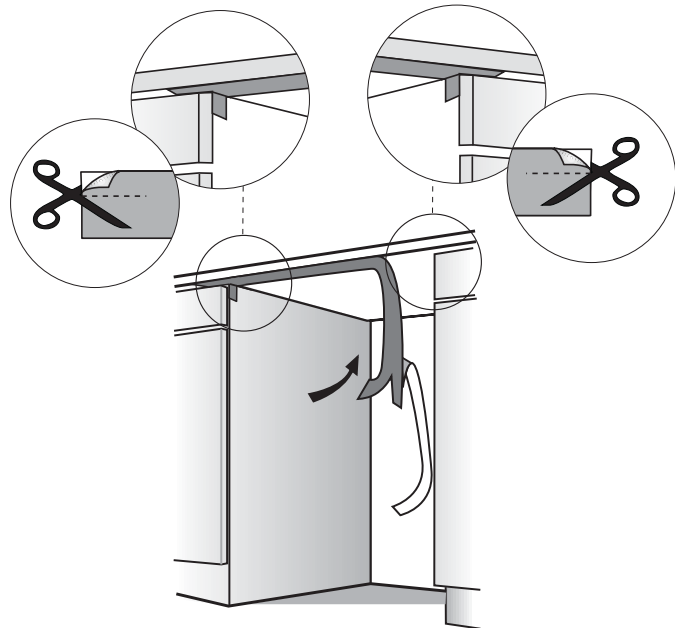
Steam Protection Foil

Steam will form inside the dishwasher during operation. At the end of the cycle, when the dishwasher door is opened, it is required to use a steam protection foil to prevent any steam from collecting on the underside of the countertop.



Fitting the Protection Foil

- Before applying the steam protection foil to the underside of the countertop, clean the area with a damp cloth (as shown in Figure **A**). Once the area dries, apply the steam protection foil.
- The steam protection foil will be applied at the location where the hot steam escapes when you first open the door (as shown in Figure **B**).



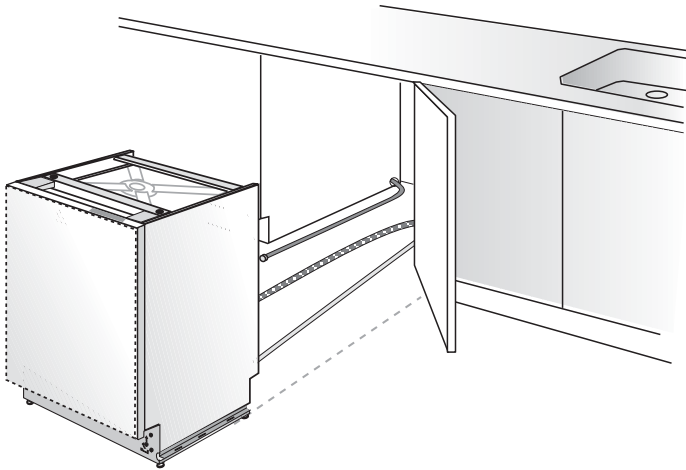
⚠ CAUTION

Steam protection foil must be applied where the steam escapes when door is first opened. **Failure to install the steam protection foil during installation can lead to damage to the cabinets and countertop.**

Installation

Placement of Dishwasher into the Opening

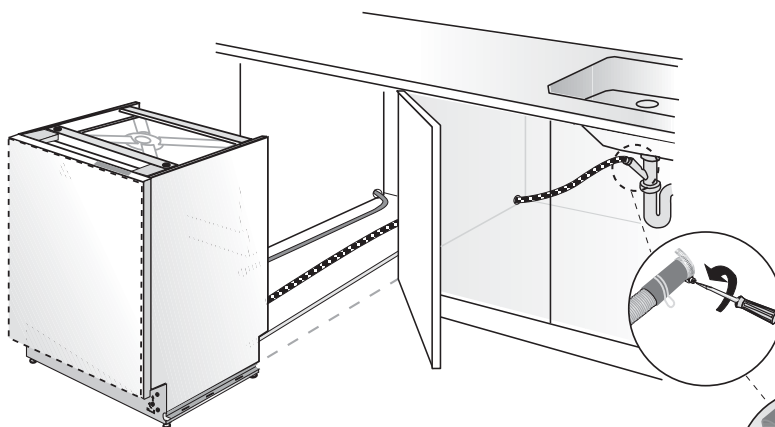
Now place the dishwasher into the opening and get ready to connect all hoses and electrical connections.



⚠ CAUTION

Make sure all hoses are pulled through the side opening of the cabinet, no hoses are kinked, and all slack is taken out as shown in the figure to the left.

Drain Hose Connection, Water Supply, and Electrical Connections



Drain Hose Connection

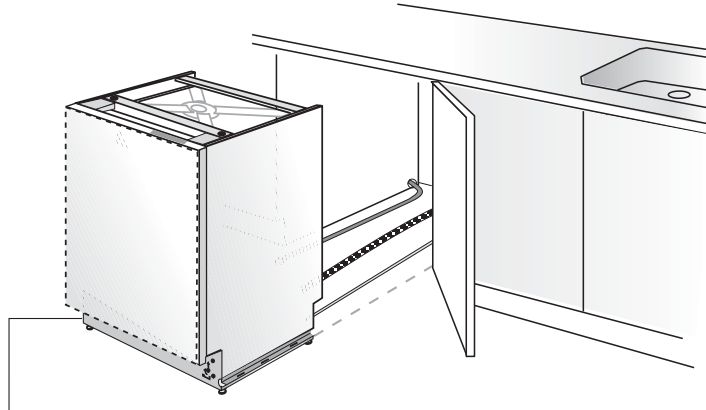
Connect the drain hose to the drain plumbing.

- Use the supplied rubber connection hose and drain hose clamps to connect the dishwasher drain hose to the plumbing drain connection.
- Use the spring clamp to secure the rubber connection hose to the dishwasher drain hose. Use the screw clamp to secure the rubber connection hose to the plumbing drain connection.

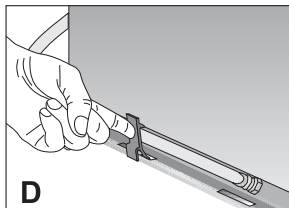
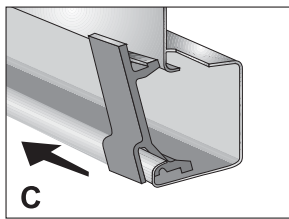
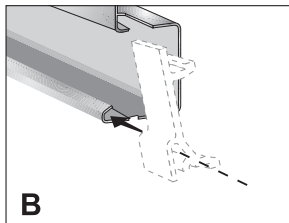
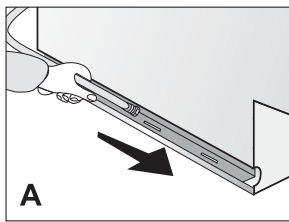
Note that the marks on the rubber connection hose should be on the drain hose side.

Installation

Preparation of Water Supply

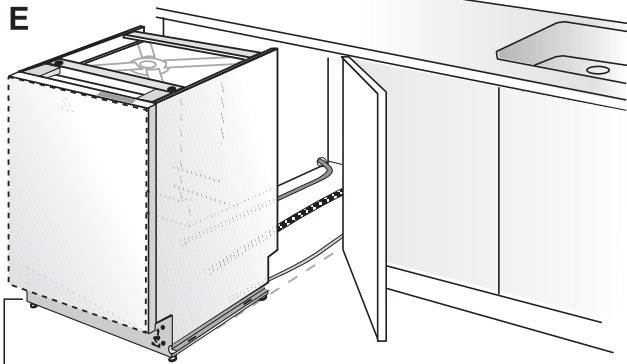


Left Side Water Supply Connection

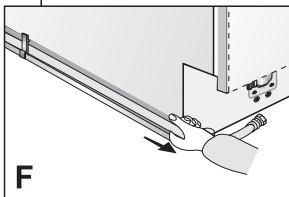


- Before pushing the dishwasher into the cabinet, you must place water supply hoses into the channel of the dishwasher (Figure **A**).
- Place the supplied clips into the channel (Figure **B**) so that you can move these clips along the channel (Figure **C**) and fix by pressing on (Figure **D**) so that you can keep the water supply hose in the channel.

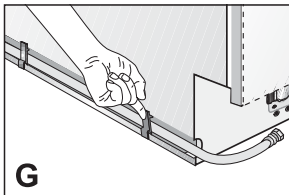
Installation



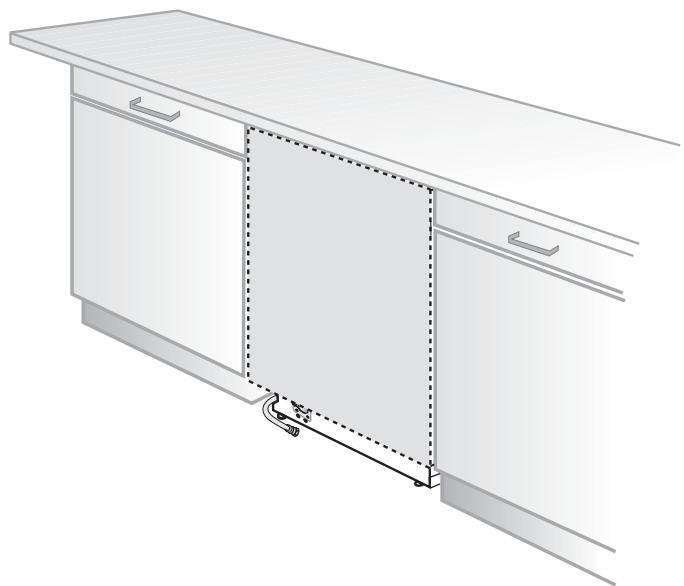
- After installing one clip for each side, push the dishwasher into the cabinet (Figure **E**).



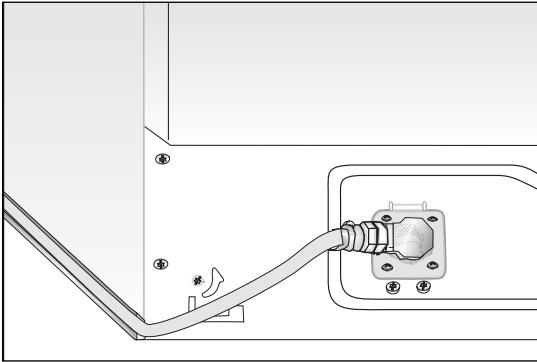
- Note that while pushing the dishwasher into the cabinet, water supply hose must move in the channel to the front (Figure **F**).



- Fix the second clip (Figure **G**).



Installation



⚠ NOTICE

After connections are made, turn on the water supply to check for leaks.

Water supply may be connected to the dishwasher in one of two ways:

- With metal braided hose.
- With copper tubing.

⚠ CAUTION

- Hot water supply line: Use minimum 3/8" O.D. copper tubing or metal braided dishwasher supply line.
- Temperatures required for soldering and sweating will damage the dishwasher's water inlet valve so if any such operation is needed, keep the heat source min. 7-7/8" (20.0cm) away from the dishwasher's water inlet valve.
- There should not be any sharp bends in the water line that may restrict the water flow.
- Teflon tape or pipe thread compound must be used for sealing the connection. Before connecting the copper water supply line to the dishwasher, flush it with hot water to clear any foreign material.

Installation

Electrical Connection

WARNING

- Make sure the voltage and frequency listed on the data plate correspond with the household electrical supply. This data must correspond to prevent injury and machine damage. Consult a qualified electrician if in doubt.
- Only connect the dishwasher to the mains when all installation and plumbing work is done.
- **DO NOT** use any extension cord or portable outlet device to connect the dishwasher to a power supply.
- The power-supply receptacle for the appliance shall be installed in a cabinet or on a wall adjacent to the undercounter space in which the appliance is to be installed.
- The access hole of the supply cord to the installation compartment must be smooth and rounded and it must be large enough for the attachment plug to pass through. The longest dimension of the opening shall not be more than 1.5" (35mm). If the partition is metal, it needs to be covered with an edge protector.
- Care must be taken when the appliance is installed or removed, to reduce the likelihood of damage to the power-supply cord.

Grounding Instructions

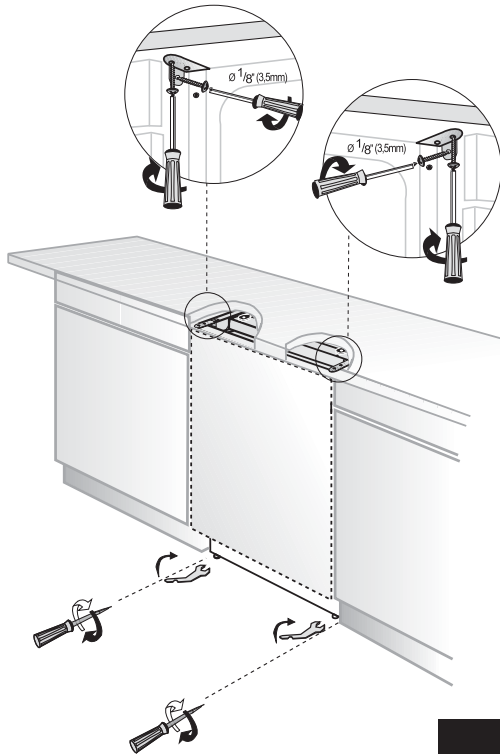
This appliance must be grounded. In the event of a malfunction or breakdown, grounding will reduce the risk of electrical shock by providing a path of least resistance for electrical current. This appliance is equipped with a cord having an equipment-grounding conductor and a grounding plug. The plug must be plugged into an appropriate outlet that is installed and grounded in accordance with all local codes and ordinances. This appliance must be connected to a grounded metal, permanent wiring system, or an equipment-grounding conductor must be run with the circuit conductors and connected to the equipment-grounding terminal or lead on the appliance.

WARNING

- Improper connection of the equipment-grounding conductor can result in a risk of electric shock. Check with a qualified electrician or service representative if you are in doubt whether the appliance is properly grounded. Do not modify the plug provided with the appliance; if it will not fit the outlet, have a proper outlet installed by a qualified electrician.

Installation

Readjusting Leveling Legs



Now that the dishwasher is in the cabinet, you must readjust the leveling legs to bring the dishwasher up to the required height and attach it underneath the countertop.

- Readjust the front leveling leg with adjusting wrench to balance the dishwasher and raise it up under the countertop; make sure the unit is level.
- Readjust the rear leveling leg with a screwdriver to balance the dishwasher and raise it to the required height using the brackets supplied.
- Attach the dishwasher underneath the countertop with the four screws supplied ($\text{Ø } 1/8'' \times 1/8'' - \text{Ø } 3.5\text{mm} \times 14\text{mm}$). Make sure you do not go through the top of the countertop or damage granite.

Adjusting the Movable Kickplate

Now that you have successfully installed the dishwasher, you need to attach the kickplate to the dishwasher. The two-piece kickplate can be adjusted to the height and depth needed for your kitchen. Be sure to use the slotted kickplate in the front and the other behind it. They slide into each other.

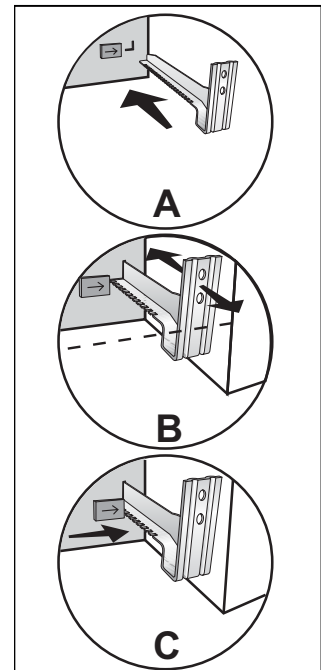
1. Insert the movable kickplate brackets into the channel (A).
2. Make sure that the plastic tab to the left of the "L" opening on the dishwasher has not closed the channel you will push the bracket through.

⚠ NOTICE

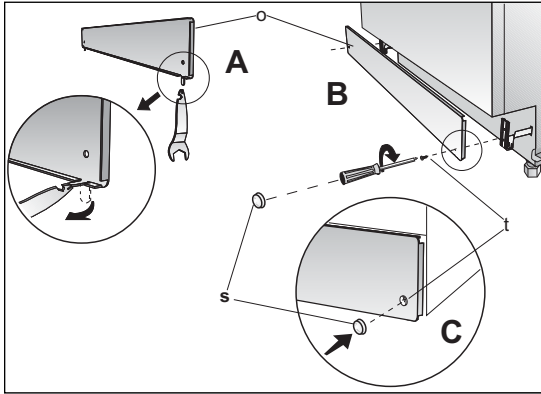
There is a left and a right bracket.

- Adjust the kickplate brackets forward or backwards so that they will align with the kitchen kickplate (B).
- Lock the kickplate brackets as shown with the plastic tab on the teeth of the bracket (C).

3. Now attach the kickplate to the bracket with the two ($\text{Ø } 3/16'' \times 1/4'' - \text{Ø } 4\text{mm} \times 6\text{mm}$) screws and the caps provided as follows.



Installation

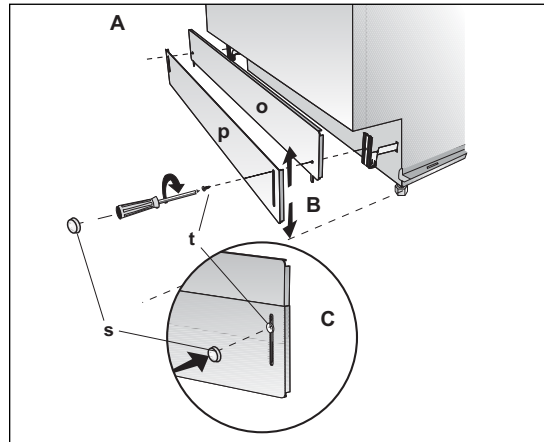


If the enclosure height is below 33-1/16" (84.0cm), use only **(o)** labeled kickplate (kickplate without slots). Installation should be done following the steps illustrated in the Figures **A**, **B**, and **C** respectively.

1. Bend tabs on kickplate **(o)** inwards **(A)**.
2. Secure kickplate to brackets with screws **(t)** as shown in the supply bags **(B)**.
3. Attach caps **(s)** as shown in the supply bags **(C)**.

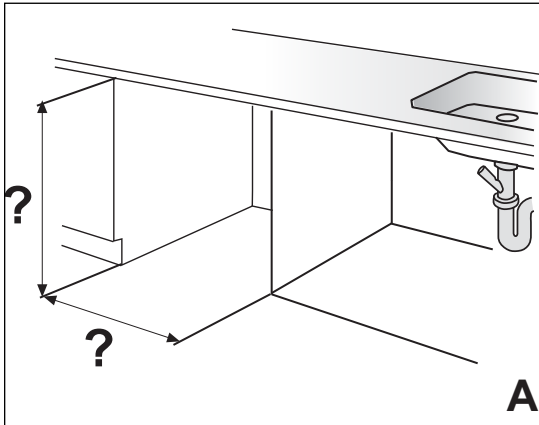
If the enclosure height is above 33-1/16" (84.0cm), use "**o**" and "**p**" labeled kickplates together. Make sure the slotted kickplate (**p**) is on the outside so you can adjust height of the kickplate. Installation should be done following the steps illustrated in the figures **A**, **B**, and **C** respectively.

1. Align the kickplate **(o)** and **(p)** **(A)**.
2. Secure kickplates to brackets with screws **(t)** after adjusting the height of the slotted kickplate **(p)** **(B)**.
3. Attach caps **(s)** as shown in the supply bags **(C)**.



Installation

Installing a Custom Panel



Measure the height and width of the enclosure (Figure **A**) and the kickplate. Determine how big the wooden door can be. For example, if the height is 33-7/8" (86.0cm) and if the kickplate is 3-15/16" (10.0cm), the door cannot be taller than

29-15/16" (76.0cm).

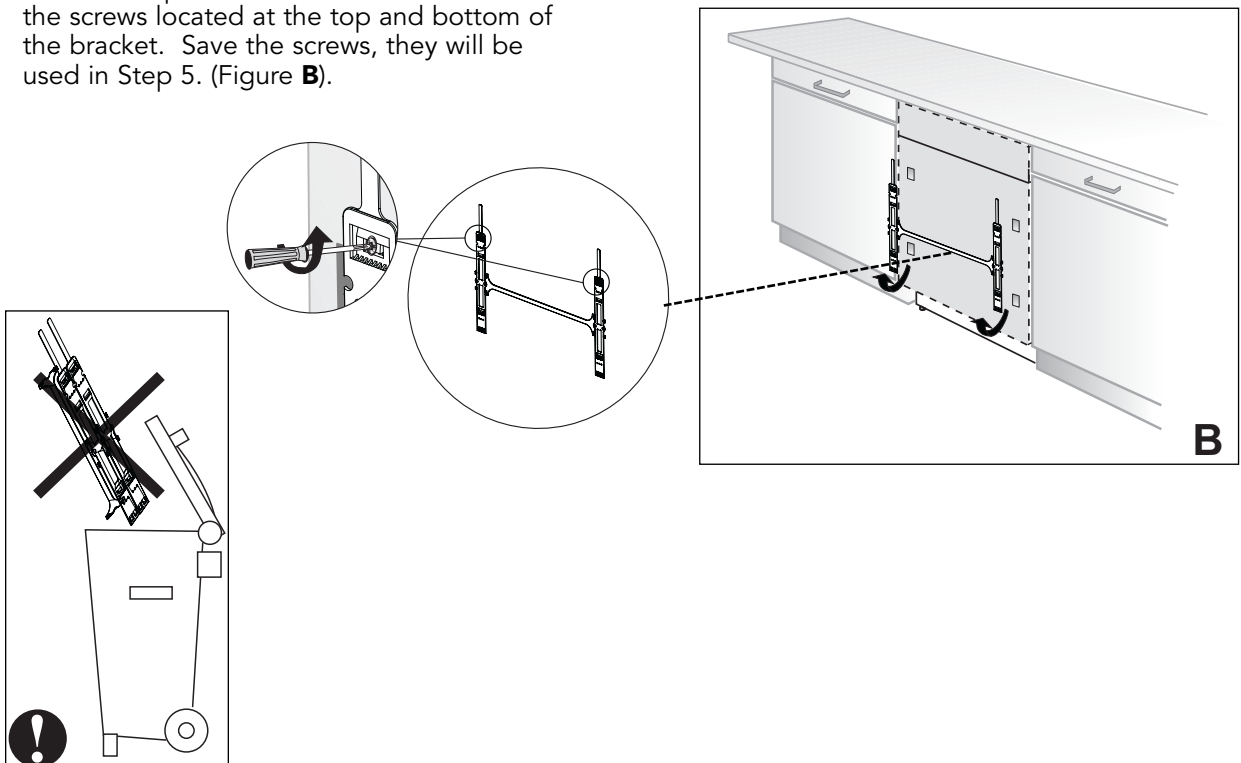
1. Prepare the wooden door with the mounting brackets.

Height: Height of the wooden door
30" (76.2cm)

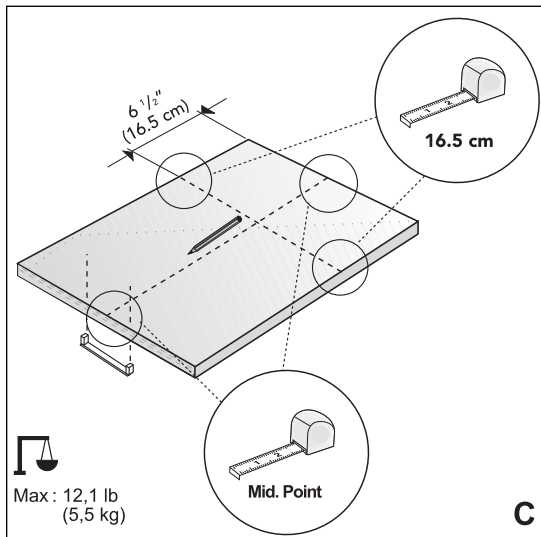
Width: 23-1/4" to 23-1/2"
(59.1cm to 59.7cm)

Thickness: 3/4" (1.9cm)

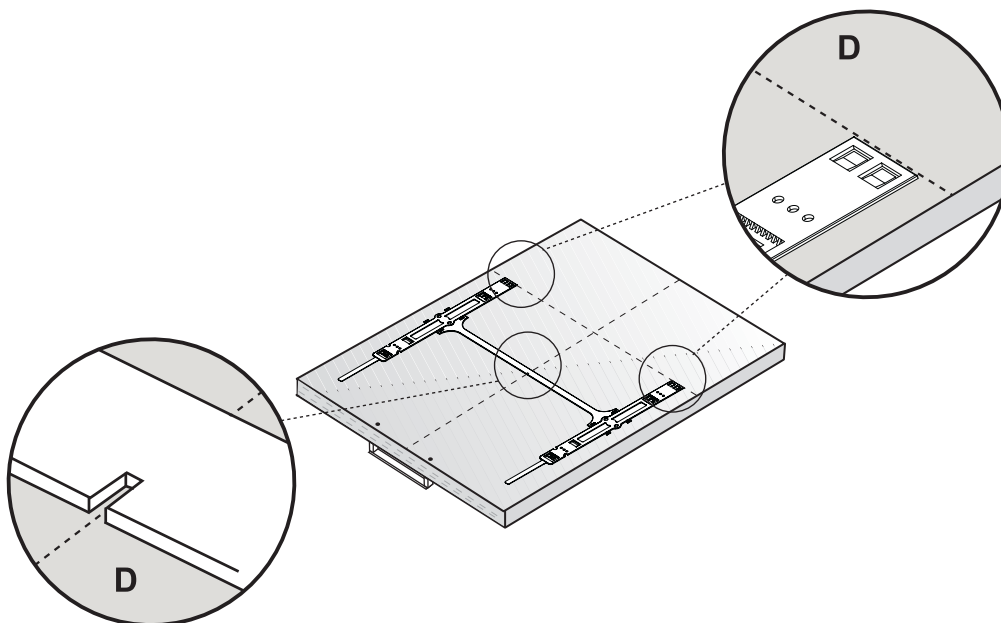
2. To take the plastic bracket out, first remove the screws located at the top and bottom of the bracket. Save the screws, they will be used in Step 5. (Figure **B**).



Installation

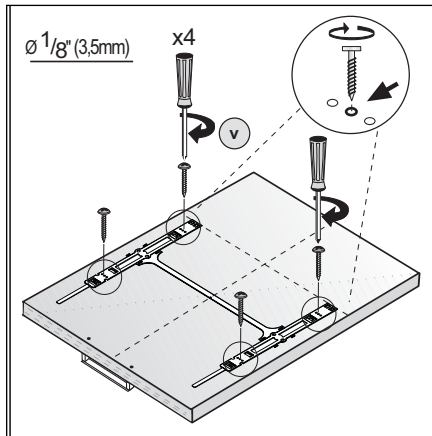


3. Mark the wooden door as shown in the drawing (Figure C).

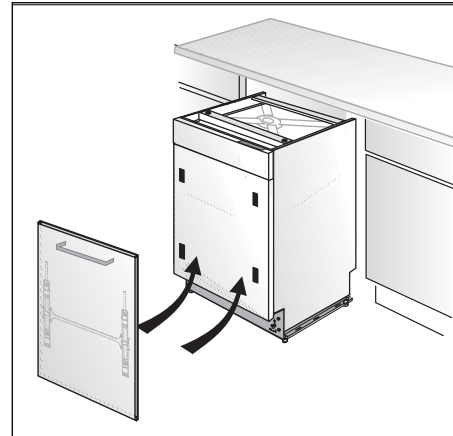


4. Place the plastic mounting brackets over the marked holes. Align the bottom of the bracket with the horizontal line. Align the middle of the bracket with the center line using the "V" cut in the bracket. (Figure D)

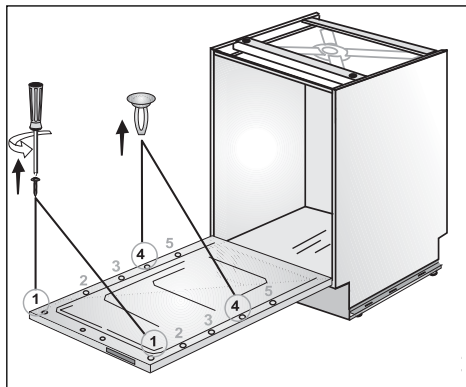
Installation



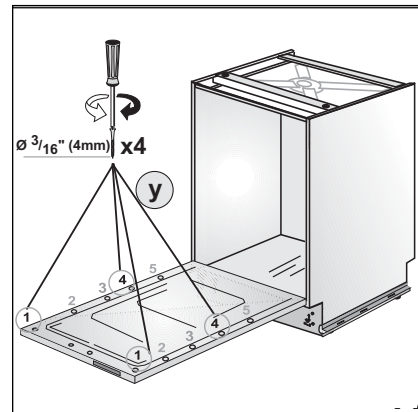
5. Attach the two mounting brackets to the wooden door with 4 screws (Ø 1/8"x5/8" (Ø 3.55mmx14mm)).



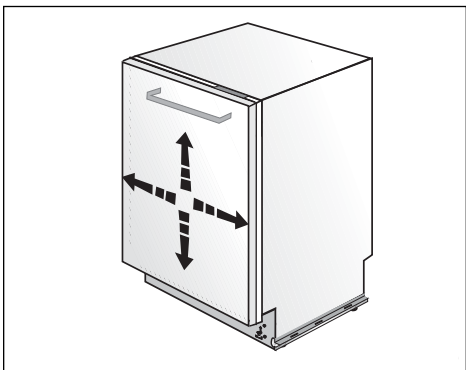
6. Mount the wooden door onto the dishwasher with the plastic mounting brackets which you have attached.



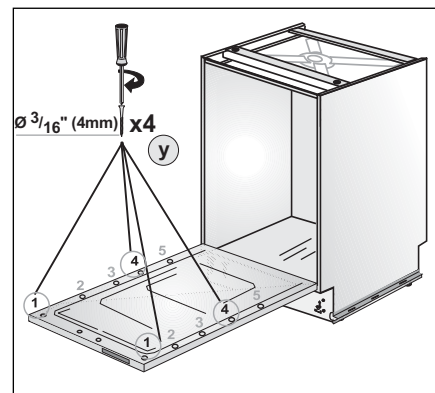
7. Open the door and remove the two caps and two screws inside the door at position 1 and 4.



8. Using the four screws Ø 3/16"x1-11/16" (Ø 4mmx43mm) provided, attach the wooden door to the dishwasher at position 1 and 4.

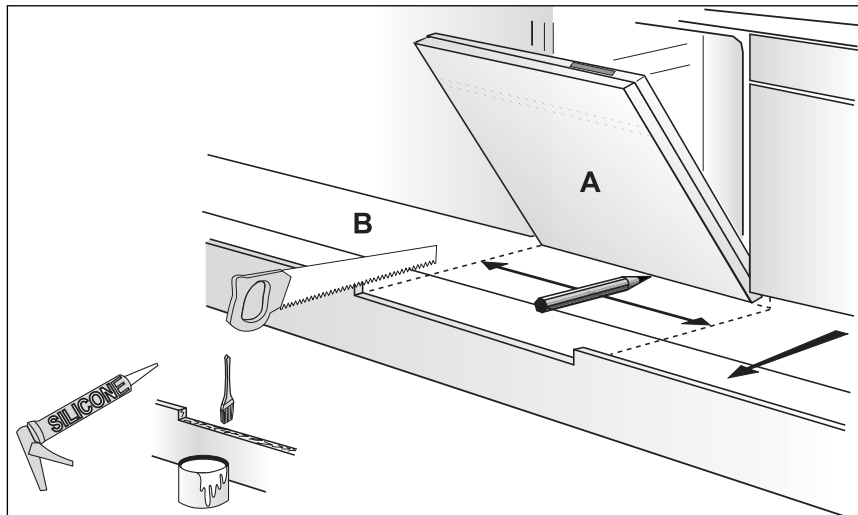


9. Check the position of the wooden door and make sure it is aligned properly.

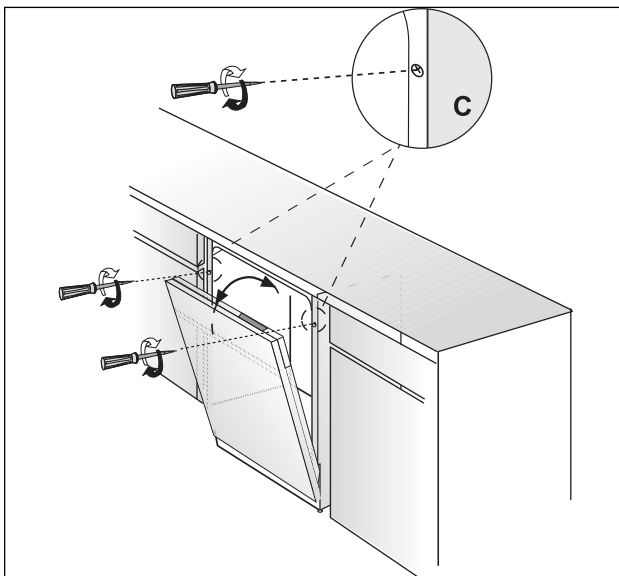


10. Tighten the screws in position 1 and 4 completely after the final alignment.

Installation



11. Check whether the bottom of the door hits the kickplate of the kitchen cabinet (Figure **A**).
- 11.1. If the door hits the kickplate, cut the necessary section out of the kickplate (Figure **B**).
- 11.2 Apply silicon or sealant to the cut edge of the kitchen cabinet kickplate or paint so it does not absorb moisture.



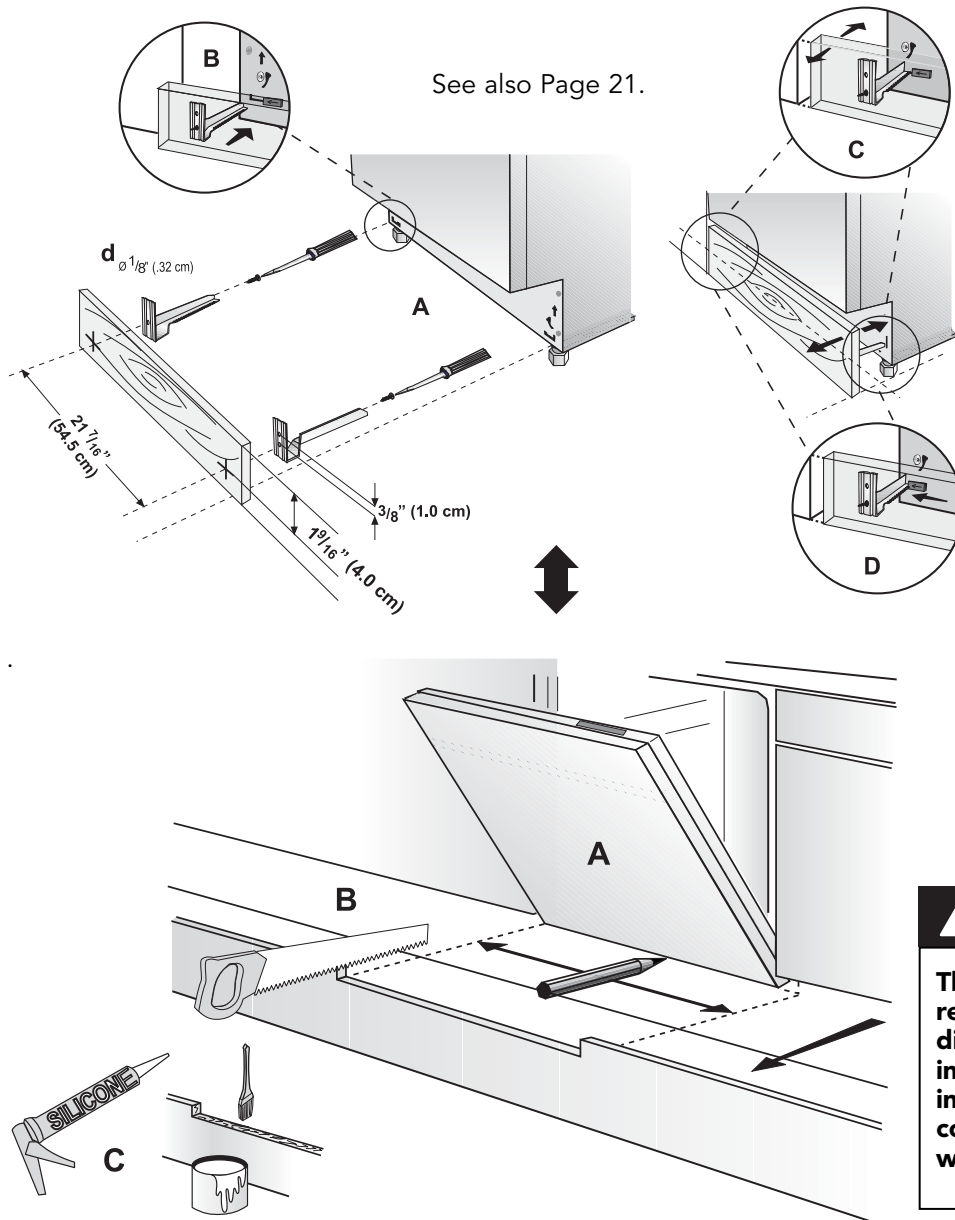
Adjusting Door Tension with Custom Wooden Door

- Check the door tension of the dishwasher; if the door closes too quickly or if the door falls open, the spring tension needs to be adjusted.
- The adjustment screws can be found on the front of the dishwasher after you open the door (see drawing).
- Adjust the spring tension by turning the screw to the right for more weight and to the left for less weight. (Figure **C**).

Installation

! NOTICE

If you have a European kitchen or want to install a wooden kickplate to match your kitchen, please refer to one of the two drawings given below. Follow the same instructions on the brackets as for the removable kickplate. Installation should be done following the steps illustrated in the Figures A, B, C, and D respectively.



! NOTICE

The installer is responsible for the dishwasher installation. Incorrect installation is not covered by the warranty.

Installer Checklist and Final Instructions

Your installer must have completed and checked the following:

- The dishwasher is square and level.
- The dishwasher is fastened securely to the cabinetry.
- The dishwasher door opens and closes freely. The dishwasher door must close without hitting any cabinetry or countertop.
- The inlet water supply is turned on and checked for leaks.
- The drain hose has been connected and checked for leaks. There must be no kinks or obstructions in the drain hose.
- The drain hose must be installed with a 28" (710mm) high drain loop for drain hook-ups without any air removed.
- If the dishwasher drain is hooked up to a garbage disposal, the drain hopper plug must be removed.
- The spray arms are free and rotate freely.
- The rinse cycle has been run.
- The water level will be below the filter screen after the end of the wash program. It is normal to find some water in the drain filter area.
- Set the water softener to the correct water hardness for your area. If the dishwasher drain is connected to a garbage disposal, make sure that the drain/hopper plug has been removed.

Final Instructions

- Press the On/Off button to turn the dishwasher on.
- Power indicator light comes on.
- Use the Program Select button to choose a washing program.
- Start the program with the Start/Pause/Cancel button.
- Run the dishwasher through one complete cycle. When the wash cycle is completed, use the On/Off button to turn the dishwasher off.

Self-Help Hints

The screen does not come on:

- Check to make sure the breaker to the dishwasher is in the on position.
- Check to make sure that the supply cord is plugged.

No water is coming into the dishwasher:

- Check to make sure the hot water shut-off is in the ON position.

Water does not drain:

- Make sure drain hose is not kinked or comes out of air gap next to the sink.
- Remove drain hose from disposal making sure plug is removed.

Service & Registration

Only authorized replacement parts may be used in performing service on the appliance. Do not repair or replace any part of the appliance unless specifically recommended in the manual. All servicing should be referred to a qualified technician.

Contact Viking Range, LLC, 1-888-845-4641, for the nearest service parts distributor in your area or write to:

**VIKING RANGE, LLC
PREFERRED SERVICE
111 Front Street
Greenwood, Mississippi 38930 USA**

The serial number and model number for your dishwasher are located on the identification plate mounted on the right side of the inner door.

Record the following information indicated below. You will need it if service is ever required.

Model number _____

Serial number _____

Date of purchase _____

Date installed _____

Dealer's name _____

Address _____

**These installation instructions should remain with the
dishwasher for future reference.**

Viking Range, LLC
111 Front Street
Greenwood, Mississippi 38930 USA
(662) 455-1200

For product information,
call 1-888-845-4641
or visit our web site in the US (www.vikingrange.com) or in Canada (www.brigade.ca).



Guide d'Installation



1 et 3 SÉRIES

Lave-vaisselle intégré

CFDW103 / CFDW302

Table des matières

Consignes de sécurité importantes _____	3
Outils pouvant s'avérer nécessaires _____	5
Matériels pouvant s'avérer nécessaires _____	6
Matériels fournis _____	7
Pièces fournies _____	7
Spécifications du lave-vaisselle _____	8
Préparation de l'armoire _____	9
Préparation électrique _____	9
Préparation de l'installation des supports de fixation _____	9
Réglage de la hauteur _____	9
Installation des tringles de finissage latérales _____	10
Préparation du raccordement d'eau _____	11
Préparation de la vidange _____	12
Feuille de protection contre la vapeur _____	13
Installation _____	14
Raccordement du flexible de vidange, prise d'eau et raccordements électriques _____	14
Préparation de l'approvisionnement en eau _____	15
Raccordements électriques _____	18
Réajustement de l'aplomb latéral de pied _____	19
Réglage du garde-pieds mobile _____	19
Installation du panneau personnalisé _____	21
Liste de contrôle de l'installateur _____	26
Dernières instructions _____	26
Entretien et enregistrement _____	27

IMPORTANT – Veuillez lire et suivre

AVERTISSEMENT

Lisez entièrement ces consignes avant l'installation et suivez-les attentivement. Gardez ces consignes et transmettez-les à tout potentiel futur utilisateur.

- Lisez entièrement et avec attention ce manuel d'installation et les consignes de sécurité en particulier. Ils vous permettront de gagner du temps et des efforts et vous aideront à assurer la performance optimale du lave-vaisselle.
- Assurez-vous de respecter tous les avertissements et les mises en garde indiqués. Recherchez particulièrement les icônes ayant des points d'exclamation à l'intérieur. L'icône information fournit également des références importantes.

AVERTISSEMENT

Indique une situation potentiellement dangereuse qui, si elle n'est pas évitée, peut entraîner la mort ou de graves blessures.

REMARQUE

Indique une situation potentiellement dangereuse qui, si elle n'est pas évitée, peut endommager le lave-vaisselle, la vaisselle, l'équipement ou l'environnement.

ATTENTION

Indique une situation potentiellement dangereuse qui, si elle n'est pas évitée, peut entraîner des blessures. Elle peut également être utilisée pour alerter contre les pratiques non sécurisées.

Outre ces instructions, le lave-vaisselle doit être installé :

- conformément à tous les codes locaux ou en l'absence d'un code local,
- aux États-Unis conformément au code national d'électricité,
- au Canada, conformément au code canadien d'électricité C22.1-dernière édition/codes provinciaux et municipaux et/ou codes locaux.

Lors de l'installation du lave-vaisselle, suivez les mesures de précautions de base notamment :

- Seul un représentant agréé du service d'entretien peut assurer la conversion du lave-vaisselle de raccordement par cordon à raccordement définitif.
- L'installation et la réparation doivent être effectuées uniquement par un installateur qualifié. L'exécution de travaux par des personnes non qualifiées peut s'avérer dangereuse et annuler la garantie.

REMARQUE

L'installation doit être effectuée par un plombier, un entrepreneur ou un installateur formé, agréé et assuré. Toute installation effectuée par des personnes autres que celles indiquées, peut déboucher sur une installation inappropriée et des dégâts matériels.

REMARQUE

- Mettez au rebut les sacs ou articles fournis avec l'emballage d'origine uniquement à la fin de toute l'installation.

Préparation du site

Il est recommandé de procéder à une inspection minutieuse du site AVANT le dépotage et le déplacement de l'appareil.

IMPORTANT – Veuillez lire et suivre

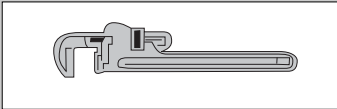
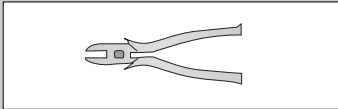
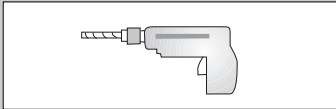
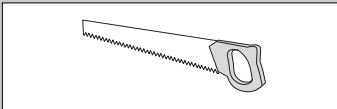
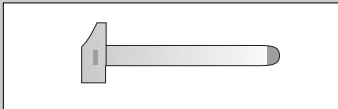
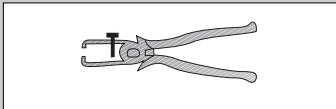
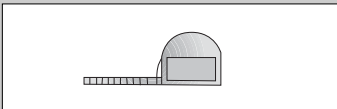
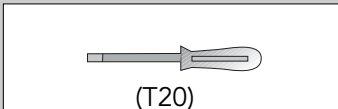
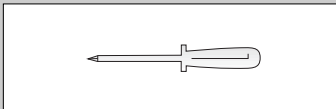
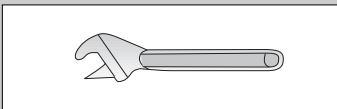
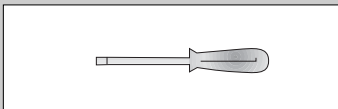
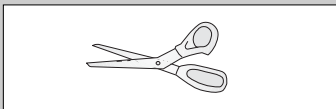
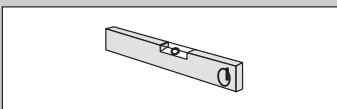
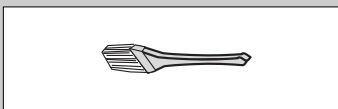
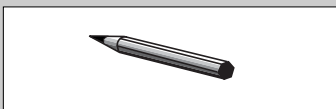
- N'UTILISEZ PAS l'appareil s'il est endommagé, défectueux, partiellement démonté ou s'il comporte des pièces manquantes ou cassées.
- Suivez également les consignes de sécurité contenues dans le guide d'utilisation et d'entretien.
- Pour réduire le risque de choc électrique, d'incendie ou de blessure corporelle, l'installateur doit s'assurer que le lave-vaisselle est complètement fermé au moment de l'installation.
- Branchez le lave-vaisselle à l'alimentation électrique uniquement lorsque tous les travaux d'installation et de plomberie sont terminés.
- Si le lave-vaisselle est installé dans un lieu où les températures peuvent entraîner le gel (par ex. dans une maison de vacances, une cabine, etc.), vous devez vidanger toute l'eau contenue à l'intérieur du lave-vaisselle. Les coupures d'eau qui se produisent à cause du gel ne sont pas couvertes par la garantie.
- Fixez le lave-vaisselle à l'armoire attenante à l'aide des supports fournis. Tout manquement à cette règle peut entraîner des dégâts matériels ou des blessures corporelles.
- Branchez l'appareil à un circuit d'alimentation électrique à la puissance nominale appropriée, correctement protégé et à la dimension appropriée pour éviter toute surcharge électrique. Le lave-vaisselle est conçu pour une alimentation électrique CA de 120 V (volts), 60 Hz (hertz), raccordée à un circuit électrique spécialisé pour lave-vaisselle et correctement mis à la terre à l'aide d'un fusible ou de disjoncteurs de 15 ampères. Les conducteurs d'alimentation électrique doivent être en fil de cuivre de #16 AWG minimum de 167°F (75°C) ou supérieur. Respectez ces exigences pour éviter toute blessure et des dommages à la machine. Consultez un électricien qualifié si vous avez des doutes.
- N'UTILISEZ ni rallonge ni prise portable pour brancher le lave-vaisselle à l'alimentation électrique.
- Assurez-vous que tous les emballages et sacs plastiques, petites pièces, etc. sont mis au rebut en toute sécurité et tenus à distance des enfants. Risque d'étouffement!
- Déposez la porte du lave-vaisselle lors de la mise hors service d'un vieux lave-vaisselle ou de sa mise au rebut. Assurez-vous que l'appareil ne présente aucun danger pour les enfants lors de l'entreposage pour la mise au rebut.
- Les vieux appareils peuvent contenir du matériel recyclable. Contactez les autorités responsables du recyclage dans votre localité sur la possibilité de recycler ce matériel.

REMARQUE

- Installez le flexible de vidange du lave-vaisselle à l'aide d'une boucle de vidange à 710 mm (28") au moins du plancher de l'armoire, au risque de ne pas vidanger correctement le lave-vaisselle.
- Ce lave-vaisselle est conçu pour un usage résidentiel uniquement et ne doit pas être utilisé dans les établissements commerciaux.
- Installation neuve : Si le lave-vaisselle est une installation neuve, effectuez la plupart des travaux avant de poser le lave-vaisselle.
- Remplacement : S'il s'agit du remplacement du lave-vaisselle, vérifiez les anciens raccordements du lave-vaisselle pour vous assurer de la compatibilité et remplacez les pièces si nécessaire.
- Inspection du lave-vaisselle : Après le dépotage du lave-vaisselle et avant son installation, inspectez minutieusement le lave-vaisselle à la recherche d'éventuels dommages dus au transport ou de défauts de fabrication apparents. Signalez immédiatement tout dommage.

Pour nous contacter, vous pouvez appeler notre numéro gratuit au 1-888-845-4641 ou nous contacter via le site Web aux É.-U. (www.vikingrange.com) ou au Canada (www.brigade.ca).

Informations générales

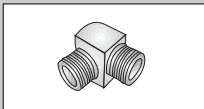
Outils pouvant s'avérer nécessaires		
		
Clé à tuyau	Coupe-fil	Perceuse
		
Scie-cloche	Marteau	Pince à dénuder
		
Ruban à mesurer	Tournevis Torx (T20)	Tournevis Phillips
		
Clé à molette	Tournevis à entaille	Ciseaux
		
Niveau	Brosse	Crayon

Informations générales

Matériels pouvant s'avérer nécessaires



Conduite d'approvisionnement en eau chaude – Tube en cuivre de 3/8 po. O.D. au minimum ou conduite d'approvisionnement du lave-vaisselle en métal torsadé.



Coude de 90° avec filetages N.P.T. mâles de 3/8 po. sur une tige, dimensionné pour s'adapter à votre conduite d'approvisionnement en eau (tube en cuivre/raccord à compression ou tuyau tressé) sur l'autre tige.



Raccord de conduit ou serre-câble homologué par l'UL.



Ruban Téflon ou tout autre composé de filetage de tuyau pour assurer l'étanchéité des raccordements de plomberie.



Robinet d'arrêt et raccords adaptés à la conduite d'approvisionnement en eau chaude (tube en cuivre/raccord à compression ou tuyau tressé).



Silicone.




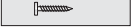









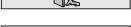





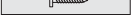
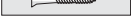


Colle.

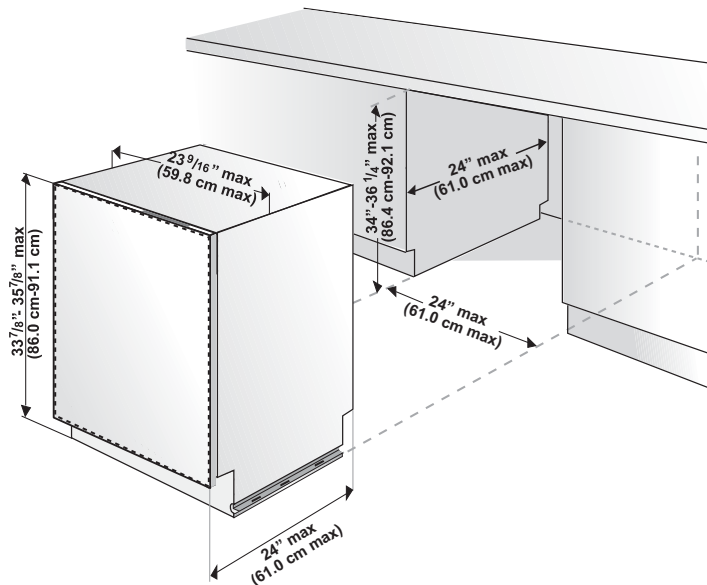
Informations générales

Pièces fournies

Les pièces du lave-vaisselle sont livrées dans plusieurs sacs plastiques. Vérifiez les sacs de pièces pour vous assurer de disposer de toutes les pièces indiquées ci-dessous.

Matériels fournis		
		<p>Pièces du lave-vaisselle Sac 1 Ce sac contient les pièces suivantes à la livraison :</p>
a.	 -x1	a. Tringles de finissage latérales – gauche
b.	 -x1	b. Tringles de finissage latérales – droit
c.	 -x1	c. Clé de réglage
d.	 -x6	d. Vis Ø 3,5 mm x 14 mm (Ø 1/8 po. x 5/8 po.)
e.	 -x1	e. Support de fixation – gauche
f.	 -x1	f. Support de fixation – droit
g.	 -x1	g. Pince à ressort
h.	 -x1	h. Vis de serrage
j.	 -x1	j. Connecteur en caoutchouc
k.	 -x1	k. Support de garde-pieds – gauche
l.	 -x1	l. Support de garde-pieds – droit
m.	 -x1	m. Protecteur de bord
n.	 -x1	n. Pinces
o.	 -x1	o. Garde-pieds (garde-pieds sans fente)
p.	 -x1	p. Garde-pieds
r.	 -x2	r. Vis Ø 3,9 mm x 9 mm (Ø 1/8 po. x 3/8 po.)
s.	 -x2	s. Bouchons plastiques
t.	 -x2	t. Vis Ø 4 mm x 6 mm (Ø 3/16 po. x 1/4 po.)
v.	 -x4	
y.	 -x4	
z.	 -x1	z. Feuille de protection contre la vapeur
		<p>Pièces du lave-vaisselle Sac 2</p>
v.		v. Vis Ø 3,5 mm x 14 mm (Ø 1/8 po. x 5/8 po.)
y.		y. Vis Ø 4 mm x 43 mm (Ø 3/16 po. x 1-3/4 po.)
		<p>Pièces fixées à l'arrière du lave-vaisselle</p>
a.		a. Tringles de finissage latérales – gauche
b.		b. Tringles de finissage latérales – droit
o.		o. Garde-pieds
p.		p. Garde-pieds (garde-pieds sans fente)

Spécifications



Lave-vaisselle intégré

Largeur totale	59,8 cm (23-9/16 po.)
Hauteur totale à partir du sol	86 cm (33-7/8) min. à 91,1 cm (35-7/8 po.) max.
Profondeur totale depuis l'arrière	sans le panneau de porte – 54,9 cm (21 5/8 po.) avec le panneau de porte – 156,4 cm (22 3/16 po.)
Largeur de découpe	61,0 cm (24 po.)
Hauteur de découpe	86,4 cm (34 po.) min. à 91,4 cm (36 po.) max.
Profondeur de découpe	61,0 cm (24 po.)
Exigences en matière d'électricité	12 amp, 120V/60 Hz; 1,2 m (4 pieds) cordon électrique fourni avec l'équipement
Caractéristiques nominales de l'élément de chauffage de l'eau	1240 watts
Température de l'eau à l'arrivée	49°C (120°F) requis
Pression de l'eau à l'arrivée	4,35 à 145 psi (.3 - 10 bar)
Plage de fonctionnement	
Flexible d'arrivée d'eau	Tube de cuivre OD de 3/8" au minimum ou conduite d'eau en métal torsadé exigé.
Flexible d'évacuation	flexible d'évacuation de 1,9 m (6,4 pieds) fourni
Flexible d'évacuation à grande boucle exigé	Hauteur à partir du sol – 71,1 cm (28 po.)
Poids d'expédition approximatif	97 livres (44 kg)

⚠ REMARQUE

En raison des efforts continus que nous fournissons pour l'amélioration de nos produits, nous pouvons modifier nos spécifications et les modèles sans avis préalable. Cet appareil correspond aux directives suivantes : Directive UL 749 sur les lave-vaisselle domestiques.

Préparation de l'armoire

Préparation électrique

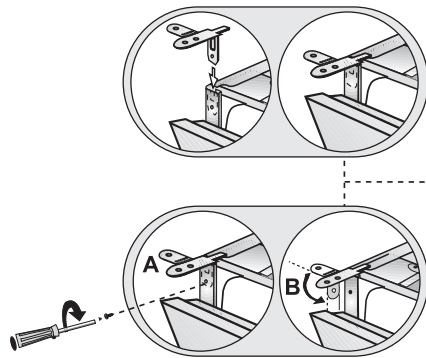
⚠ AVERTISSEMENT

Le lave-vaisselle est conçu pour une alimentation électrique CA de 120 V, 60 Hz, raccordée à un circuit électrique spécialisé pour lave-vaisselle et correctement mis à la terre à l'aide d'un fusible ou de disjoncteurs de 15 ampères.

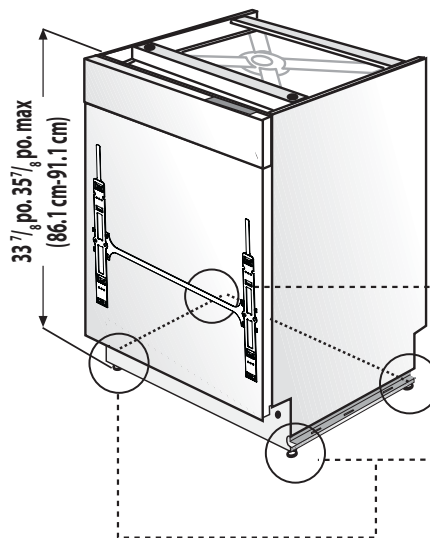
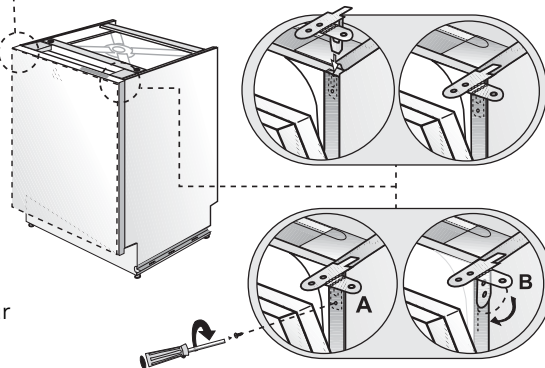
Préparation pour l'installation de supports de fixation

⚠ AVERTISSEMENT

Fixez le lave-vaisselle à l'armoire attenante à l'aide des supports de fixation fournis. Tout manquement à cette règle peut entraîner des dégâts matériels ou des blessures corporelles.



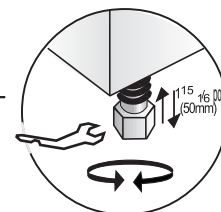
- Placez les deux supports de fixation dans les coins supérieurs.
- Fixez les supports de fixation (A) aux coins supérieurs du lave-vaisselle à l'aide des vis fournies.
- Pliez les côtés des supports de fixation (B) pour sécuriser les côtés (si nécessaire).



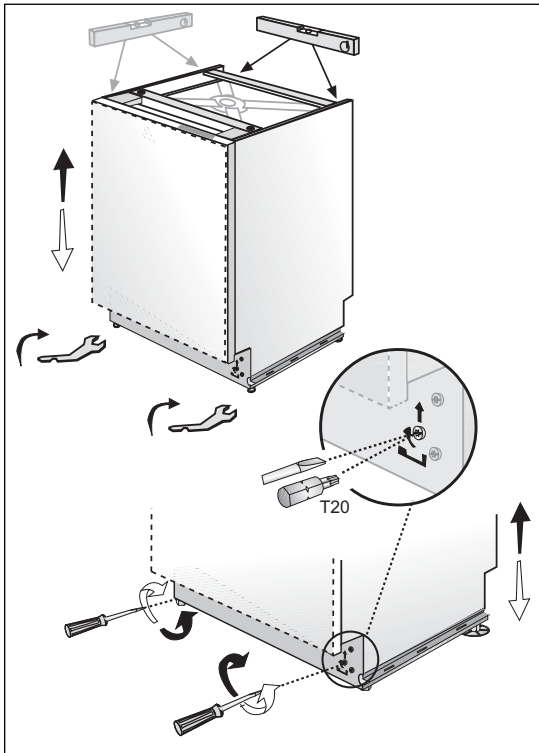
Réglage de la hauteur

Si la hauteur de l'armoire est de 86,1 cm-91,1 cm (33-7/8 pieds à 35-7/8 pieds), ajustez les supports tel que l'illustre la figure.

Fourni (4)



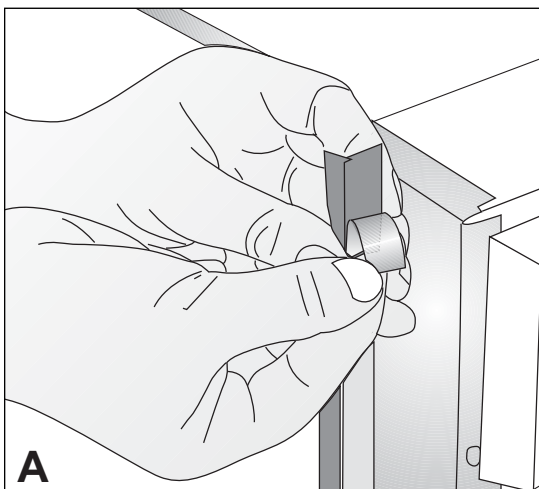
Préparation de l'armoire



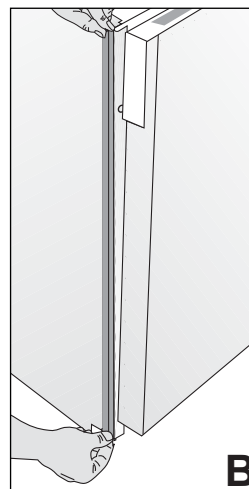
- Réglez le niveau de pied avant à l'aide de la clé de réglage pour équilibrer et soulever le lave-vaisselle à la hauteur de l'armoire.
- Ajustez le niveau de pied arrière à l'aide d'un tournevis pour équilibrer et soulever le lave-vaisselle à la hauteur de l'armoire.

⚠ REMARQUE

- Assurez-vous que le lave-vaisselle est vertical et notez qu'il est possible de l'installer en laissant un petit écart sous le comptoir de cuisine.
- Tourner le tournevis dans le sens des flèches noires soulève les pieds du lave-vaisselle.
- Tourner le tournevis dans le sens des flèches blanches rabaisse les pieds du lave-vaisselle.



A



B

Installation des tringles de finissage latérales

- Enlevez le ruban adhésif (Figure A).
- Placez les tringles de finissage latérales sur l'extrémité avant des parois latérales (Figure B).

⚠ REMARQUE

Assurez-vous d'utiliser la tringle de finissage appropriée vu qu'il y a une tringle latérale gauche et droite. Orientez le matériel flexible vers l'avant (Figure B).

Préparation de l'installation

Préparation du raccordement d'eau (A)

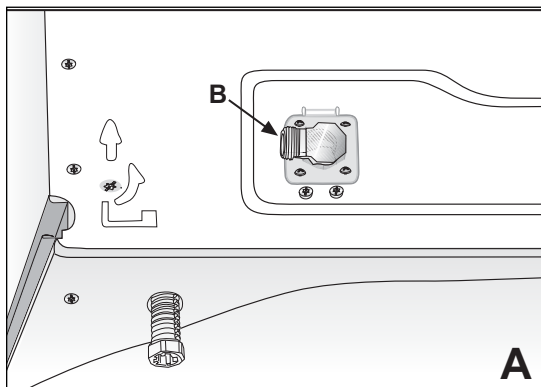
- Installez un robinet d'arrêt facilement accessible (non fourni) dans la conduite d'approvisionnement en eau. Effectuez tous les raccordements soudés avant de raccorder la conduite d'eau à la vanne d'alimentation en eau du lave-vaisselle. Le lave-vaisselle peut également être alimenté en eau à l'aide d'une conduite de tuyau souple tressé.
- Consultez vos fournisseurs en plomberie pour connaître le tuyau approprié et le coude de 90° ainsi que les raccords nécessaires pour la conduite d'approvisionnement en eau. Ce matériel n'est pas fourni et doit être acheté séparément.

⚠ AVERTISSEMENT

L'installation doit être effectuée par un installateur qualifié. L'exécution de travaux par des personnes non qualifiées peut s'avérer dangereuse et annuler la garantie.

Si le lave-vaisselle est installé dans un lieu où les températures peuvent entraîner le gel (par ex. dans une maison de vacances, une cabine, etc.), vous devez vidanger toute l'eau contenue à l'intérieur du lave-vaisselle. Les coupures d'eau qui se produisent à cause du gel ne sont pas couvertes par la garantie.

Installation du raccord de coude de 90° (B)



⚠ ATTENTION

Ne serrez pas trop le coude de 90°, au risque d'endommager la vanne d'alimentation en eau et de provoquer une fuite d'eau.

Si la conduite d'approvisionnement en eau prévue est en tube de cuivre, assurez-vous que le coude comporte un raccord à compression. Appliquez du ruban Téflon ou tout autre produit d'étanchéité pour tuyau si nécessaire. Orientez le raccordement d'alimentation en eau vers le bas tel que l'illustre la figure, pour que la conduite d'eau puisse passer aisément sous ou sur le côté du lave-vaisselle.

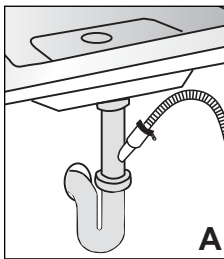
Préparation de l'installation

Préparation de la vidange

Le raccordement du flexible d'évacuation du lave-vaisselle à la plomberie d'évacuation peut s'effectuer de l'une des trois manières suivantes, (Figures A, B, C):

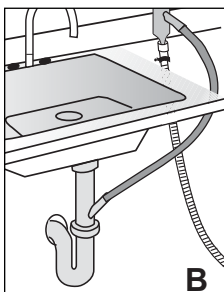
⚠ REMARQUE

- Utilisez l'une des méthodes ci-dessus pour que la machine fonctionne correctement.
- Un flexible relié à une douche peut exploser s'il est installé sur la même conduite d'eau que le lave-vaisselle. Si votre évier est équipé d'une douche, il est recommandé de déconnecter le flexible et de boucher le trou.
- La longueur totale du flexible d'évacuation est de 1950 mm (76-3/4 po.). Si une rallonge est nécessaire, utilisez un flexible d'évacuation de qualité identique.
- La longueur maximale ne doit pas dépasser 4000 mm (157-1/2 po.), au risque d'affecter négativement le processus de nettoyage.



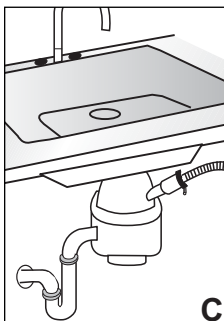
Sous le flexible d'évacuation de l'évier

- Installez un tuyau d'aspiration avec branchement en Y (Figure A).



Installation de l'intervalle d'air

- Si la réglementation locale exige l'installation d'un intervalle d'air (Figure B).



Mise au rebut

- Déposer le bouchon de raccordement de l'évacuation avant de fixer le flexible d'évacuation du lave-vaisselle.
- Chaque broyeur à ordures dispose d'un raccordement pour le lave-vaisselle, consultez le manuel de votre broyeur à déchets pour connaître le raccordement approprié (Figure C).

⚠ REMARQUE

Vous devez ajouter une boucle d'au moins 71,1cm (28") au-dessus du plancher de l'armoire et au-dessus du raccordement du flexible d'évacuation pour faciliter l'évacuation appropriée des eaux usées et éviter un mauvais nettoyage ou de mauvaises odeurs.

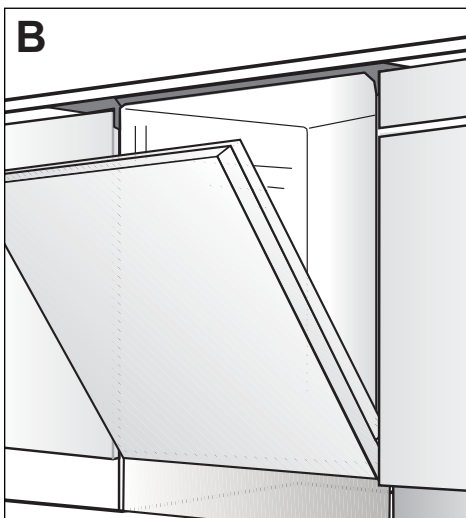
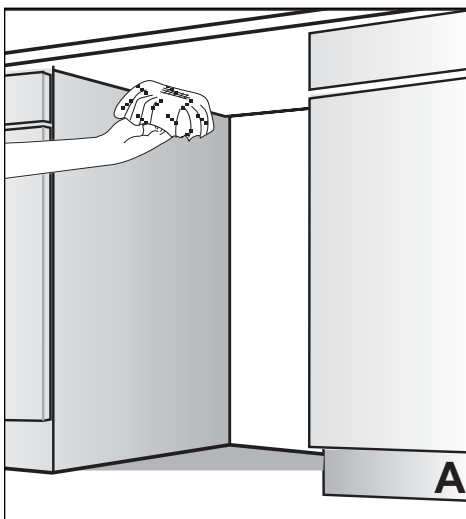
⚠ REMARQUE

Consultez la réglementation locale pour connaître le type d'intervalle d'air requis.

Préparation de l'installation

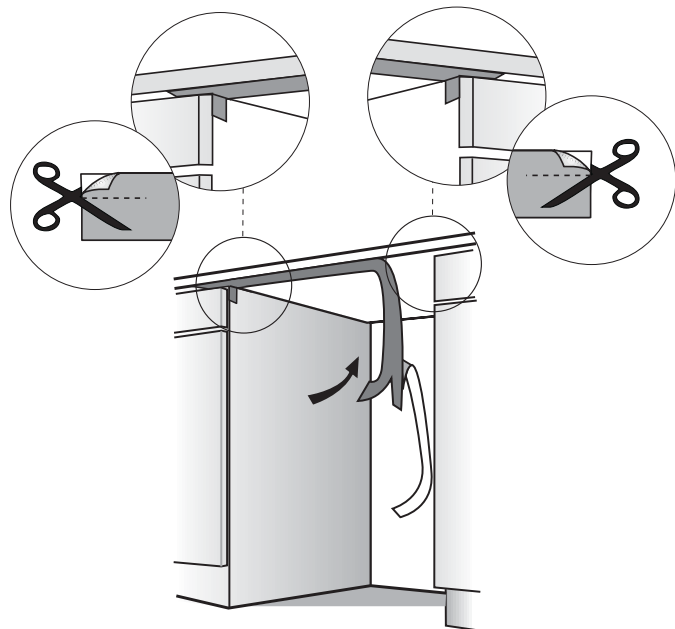
Feuille de protection contre la vapeur

La vapeur se forme à l'intérieur du lave-vaisselle pendant le fonctionnement. À la fin du cycle, lorsque vous ouvrez la porte du lave-vaisselle, il est exigé d'utiliser une feuille de protection contre la vapeur pour éviter l'accumulation de la vapeur sous le comptoir de cuisine.



Insertion de la feuille de protection

- Avant d'appliquer la feuille de protection contre la vapeur au bas du comptoir de cuisine, nettoyez la zone à l'aide d'un torchon humide (tel que l'illustre la Figure A). Une fois la zone asséchée, appliquez la feuille de protection contre la vapeur.
- La feuille de protection contre la vapeur est appliquée à l'endroit où la vapeur chaude s'échappe lorsque vous ouvrez la porte (tel que l'illustre la Figure B).



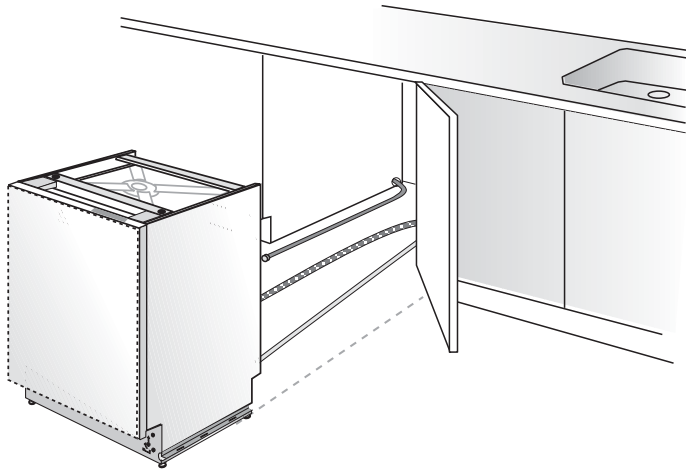
⚠ ATTENTION

Appliquez la feuille de protection contre la vapeur à l'endroit où elle s'échappe lorsque vous ouvrez d'abord la porte. Si la feuille de protection contre la vapeur n'est pas posée lors de l'installation, cela peut endommager les armoires et le comptoir de cuisine.

Installation

Pose du lave-vaisselle dans l'ouverture

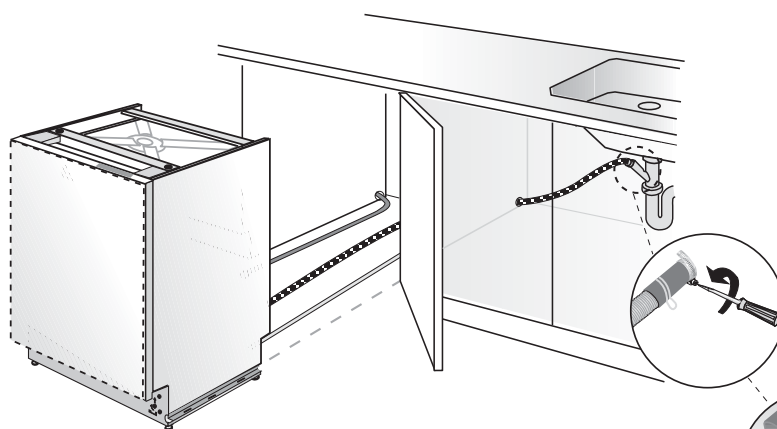
Installez à présent le lave-vaisselle dans l'ouverture et soyez prêt à brancher tous les flexibles et les raccordements électriques.



⚠ ATTENTION

Assurez-vous que tous les flexibles sortent à travers l'ouverture latérale de l'armoire, qu'aucun flexible n'est plié et tous les relâchements sont éliminés tel que l'illustre la figure de gauche.

Raccordement du flexible d'évacuation, de l'approvisionnement en eau, et raccordements électriques



Notez que les marques sur le flexible de raccordement en caoutchouc doivent être sur le côté du flexible d'évacuation.

Raccordement du flexible d'évacuation

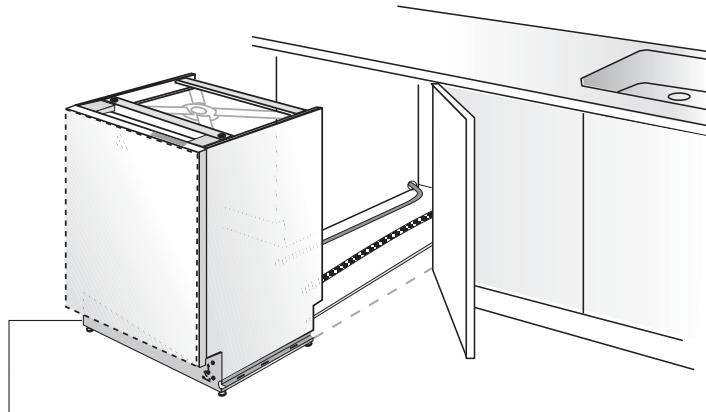
Raccorder le flexible d'évacuation à la plomberie d'évacuation.

- Utilisez le raccordement de caoutchouc fourni et les colliers de serrage du flexible d'évacuation pour brancher le flexible d'évacuation du lave-vaisselle au raccordement de la plomberie d'évacuation.

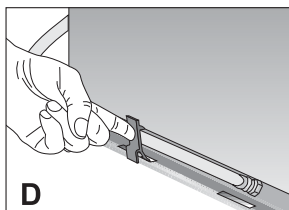
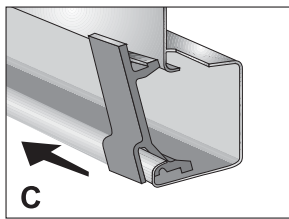
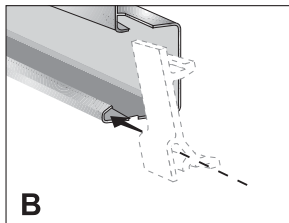
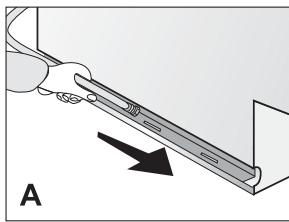
- Utilisez la pince à ressort pour fixer le flexible de raccordement en caoutchouc au flexible d'évacuation du lave-vaisselle. Utilisez la vis de serrage pour fixer le flexible de raccordement en caoutchouc au raccordement de la plomberie d'évacuation.

Installation

Préparation de l'approvisionnement en eau

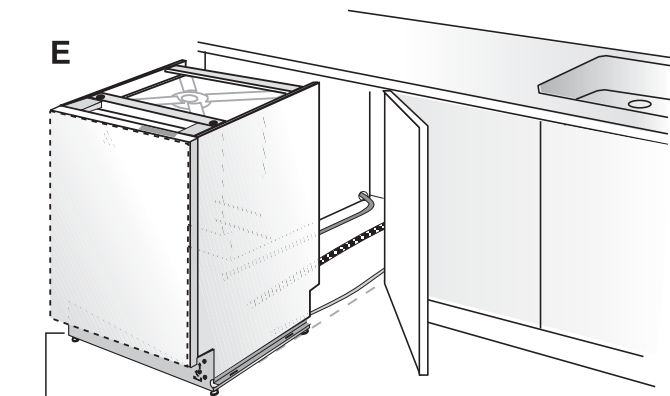


Approvisionnement en eau côté gauche
Raccordement

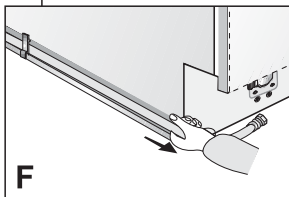


- Avant de pousser le lave-vaisselle dans l'armoire, vous devez placer les flexibles d'approvisionnement en eau dans le montant du lave-vaisselle (Figure A).
- Posez les attaches fournies dans le montant (Figure B) afin de pouvoir les déplacer le long du montant (Figure C) et fixez-les en appuyant dessus (Figure D) pour maintenir le flexible d'alimentation en eau dans le montant.

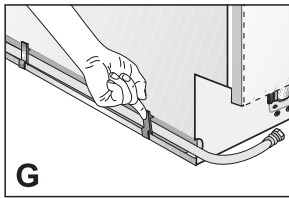
Installation



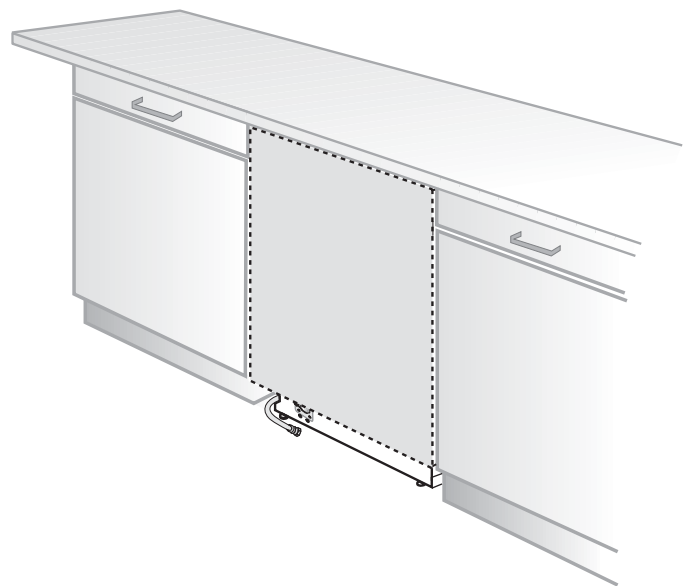
- Après l'installation d'une attache sur chaque côté, poussez le lave-vaisselle dans l'armoire (Figure E).



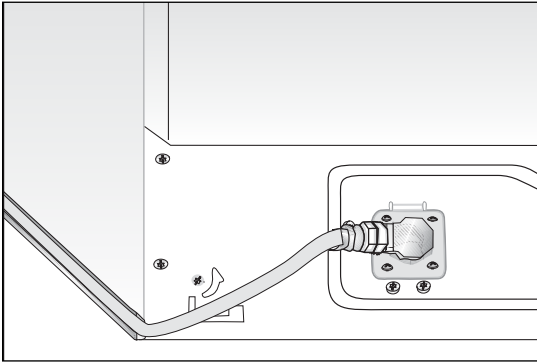
- Notez que lorsque vous poussez le lave-vaisselle dans l'armoire, le flexible d'approvisionnement en eau doit se déplacer vers l'avant dans le montant (Figure F).



- Fixez la deuxième attache (Figure G).



Installation



Le raccordement de l'alimentation en eau au lave-vaisselle peut s'effectuer de l'une des deux méthodes suivantes :

- à l'aide du tuyau de métal tressé
- à l'aide du tube de cuivre.

⚠ ATTENTION

- conduite d'approvisionnement en eau chaude : Utilisez un tube de cuivre O.D. de 3/8 po. minimum ou une conduite d'approvisionnement pour lave-vaisselle en métal tressé.
- Les températures exigées pour le brasage et le soudage endommagent la vanne d'alimentation en eau, par conséquent si l'une de ces opérations est nécessaire, maintenez la source de chaleur à 20 cm (7-7/8 po.) min de la vanne d'alimentation en eau.
- La conduite d'eau ne doit avoir aucun pli susceptible de réduire le débit de l'eau.
- Utilisez du ruban Téflon ou un composé de filetage de tuyau pour colmater le raccordement. Avant de raccorder la conduite d'approvisionnement en eau au lave-vaisselle, rincez-la à l'eau chaude pour éliminer tous les corps étrangers.

⚠ REMARQUE

Après les raccordements, activez l'alimentation en eau pour déceler d'éventuelles fuites.

Installation

Raccordement électrique

AVERTISSEMENT

- Assurez-vous que la tension et la fréquence indiquées sur la plaque d'identification correspondent à l'alimentation électrique domestique. Ces données doivent correspondre pour éviter des blessures et l'endommagement de la machine. Consultez un électricien qualifié si vous avez des doutes.
- Branchez le lave-vaisselle à la prise secteur uniquement à la fin des travaux d'installation et de plomberie.
- N'UTILISEZ ni rallonge ni prise portable pour brancher le lave-vaisselle à l'alimentation électrique.
- Installez la prise de courant de l'appareil dans une armoire ou sur un mur attenant à l'espace encastrable dans lequel l'appareil sera installé.
- Le trou d'accès du cordon d'alimentation au compartiment de l'installation doit être lisse, arrondi et suffisamment large pour que la prise de branchement puisse passer à travers. La dimension la plus longue de l'ouverture ne doit pas être supérieure à 35 mm (1,5"). Si la partition est en métal, elle doit être recouverte d'une protection de rive.
- Faites preuve de prudence lors de l'installation ou du retrait de l'appareil pour réduire le risque de dommage du cordon d'alimentation.

Consignes de mise à la terre

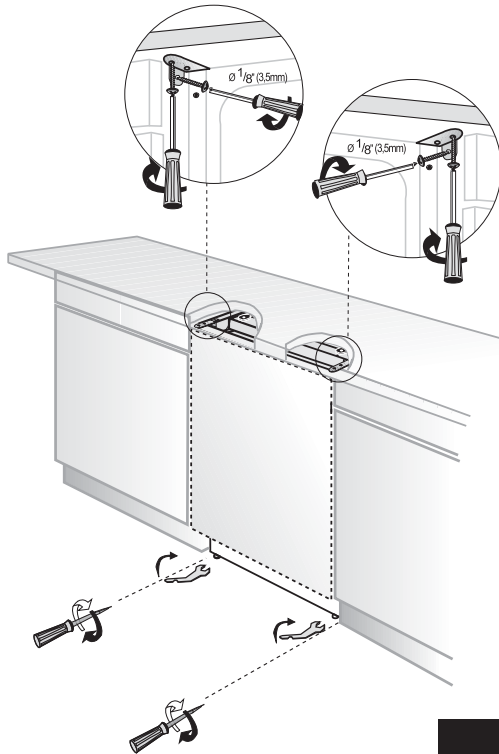
Cet appareil doit être mis à la terre. En cas de dysfonctionnement ou de panne, la mise à la terre réduit le risque de choc électrique en fournissant un chemin de résistance moindre pour le courant électrique. Cet appareil est équipé d'un cordon doté d'un conducteur de protection et d'une prise de mise à la terre. La fiche doit être branchée à une prise appropriée, installée et mise à la terre conformément à tous les codes et règlements. Branchez cet appareil à un circuit de câblage métallique et définitif ou utilisez un conducteur de protection avec des conducteurs de circuit connectés à une borne de protection ou à un fil de mise à la terre de l'équipement sur l'appareil.

AVERTISSEMENT

- Le raccordement inapproprié du conducteur de protection peut entraîner un risque de choc électrique. Consultez un électricien qualifié ou un représentant du service d'entretien si vous avez des doutes sur la mise à la terre appropriée de l'appareil. Ne modifiez pas la fiche fournie avec l'appareil, si elle ne convient pas à la prise, demandez à un électricien qualifié d'installer une prise appropriée.

Installation

Réajustement des pattes de nivellement



Maintenant que le lave-vaisselle est installé dans l'armoire, vous devez réajuster les pattes de nivellement pour le surélever jusqu'à la hauteur requise et le fixer en dessous de l'armoire de cuisine.

- Réajustez la patte de nivellement avant à l'aide d'une clé de réglage pour équilibrer le lave-vaisselle et le surélever du dessous de l'armoire de cuisine ; assurez-vous que l'équipement est à niveau.
- Réajustez la patte de nivellement arrière à l'aide d'un tournevis pour équilibrer le lave-vaisselle et le soulever à la hauteur requise à l'aide des supports fournis.
- Fixez le lave-vaisselle au-dessous de l'armoire de cuisine à l'aide des quatre vis fournies ($\text{Ø } 3,5 \text{ mm} \times 14 \text{ mm}$ - $\text{Ø } 1/8 \text{ po.} \times 1/8 \text{ po.}$). Assurez-vous de ne pas passer en travers le dessus de l'armoire de cuisine et d'éviter d'endommager le granit.

Réglage du garde-pieds mobile. À présent que vous avez réussi à installer le lave-vaisselle, vous devez fixer le garde-pieds au lave-vaisselle. Le garde-pieds à deux pièces peut être ajusté à la hauteur et à la profondeur nécessaires pour votre cuisine. Assurez-vous d'utiliser le garde-pieds à fente à l'avant et l'autre à l'arrière. Ils coulissent l'un dans l'autre.

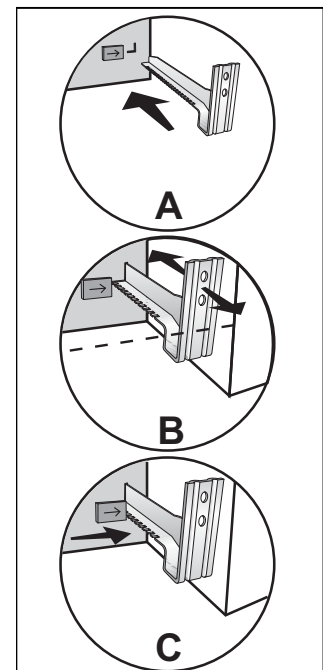
1. Insérez les supports du garde-pieds mobile dans le montant (A).
2. Assurez-vous que la languette plastique à gauche de l'ouverture en "L" sur le lave-vaisselle ne ferme pas le montant au travers duquel vous passez le support.

⚠ REMARQUE

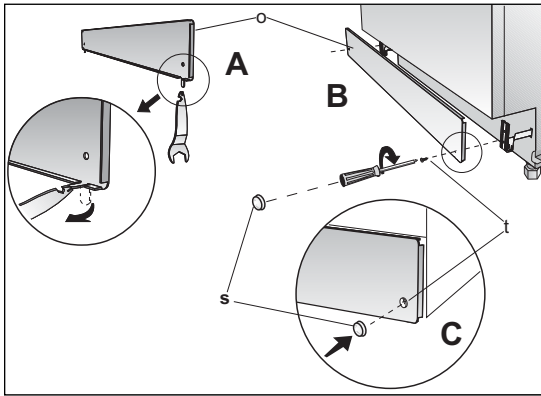
Il est prévu un support gauche et droit.

- Ajustez les supports du garde-pieds vers l'avant ou l'arrière afin qu'ils soient alignés avec le garde-pieds de la cuisine (B).
- Bloquez les supports du garde-pieds tel qu'illustré avec la languette plastique sur le lave-vaisselle entre les dents du support (C).

3. Fixez maintenant le garde-pieds au support à l'aide de deux ($\text{Ø } 3/16 \text{ po.} \times 1/4 \text{ po.}$ - $\text{Ø } 4 \text{ mm} \times 6 \text{ mm}$) vis et des bouchons fournis comme suit.



Installation

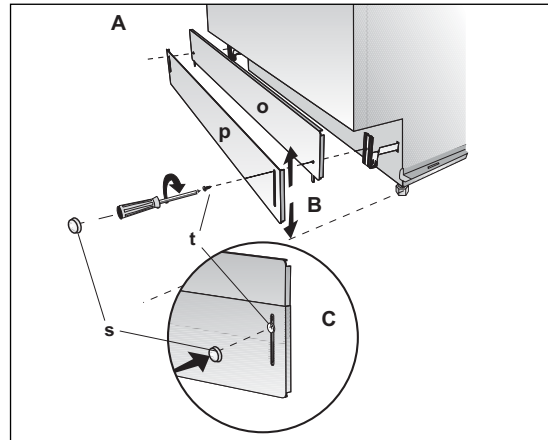


Si la hauteur de l'armoire est inférieure à 84 cm (33-1/16 po.), utilisez uniquement le garde-pieds étiqueté (o) (garde-pieds sans fente). Précédez à l'installation en suivant les étapes illustrées sur les Figures A, B et C respectivement.

1. Pliez les languettes sur le garde-pieds (o) vers l'intérieur (A).
2. Fixez le garde-pieds aux supports à l'aide de vis (t) tel qu'illustré sur les sacs de livraison (B).
3. Fixez les bouchons (s) tel qu'indiqué sur les sacs de livraison (C).

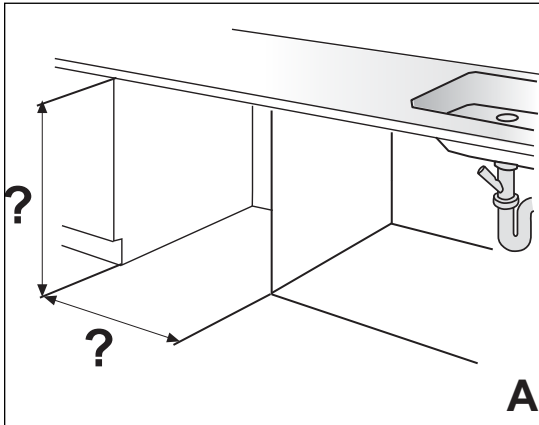
Si la hauteur de l'armoire est supérieure à 84 cm (33-1/16 po.), utilisez ensemble les garde-pieds étiquetés "o" et "p". Assurez-vous que le garde-pieds à fente (p) se trouve à l'extérieur pour que vous puissiez ajuster la hauteur du garde-pieds. L'installation doit s'effectuer en suivant les étapes illustrées sur les figures A, B et C respectivement.

1. Alignez le garde-pieds (o) et (p) (A).
2. Fixez les garde-pieds aux supports à l'aide de vis (t) après le réglage du garde-pieds à fentes (p) (B).
3. Fixez les bouchons (s) tel qu'indiqué sur les sacs de livraison (C).



Installation

Installation d'un panneau personnalisé



Mesurez la hauteur et la largeur de l'armoire (Figure A) et du garde-pieds. Déterminez quelle peut être la taille de la porte en bois. Par exemple, si la hauteur est de 86 cm (33-7/8") et si le garde-pieds mesure 10 cm (3-15/16"), la porte ne peut pas être plus haute que cette taille. 76 cm (29-15/16")

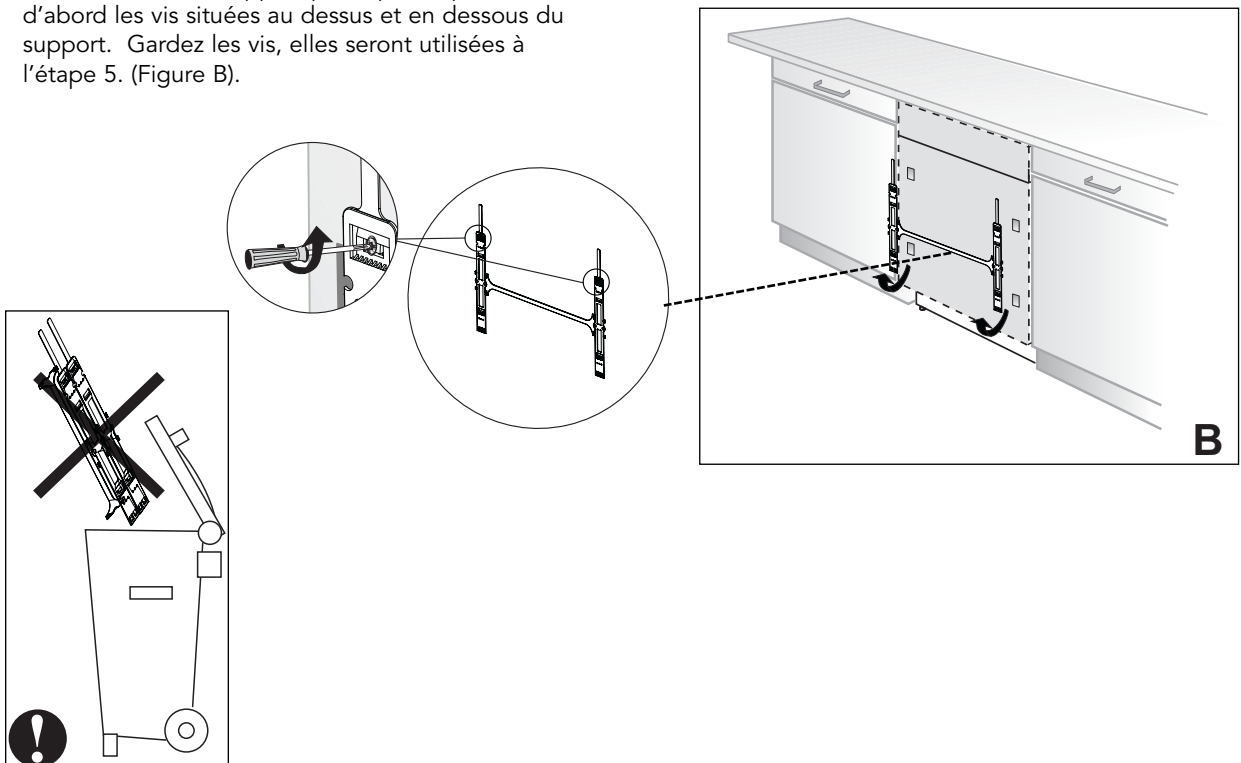
1. Préparez la porte en bois à l'aide des supports de fixation.

Hauteur : Hauteur de la porte en bois
76,2 cm (30 po.)

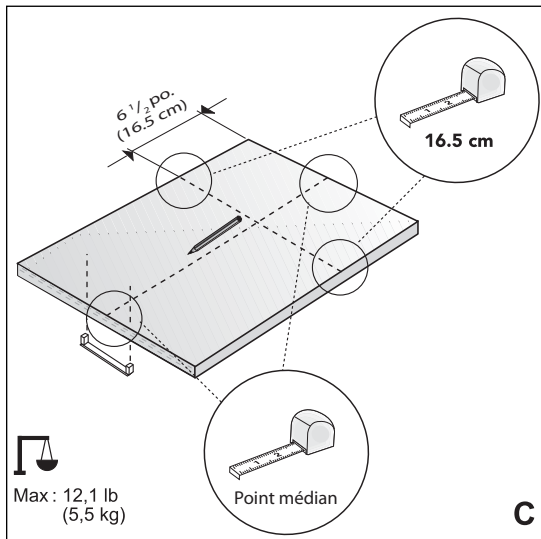
Largeur : (23-1/4 po. à 23-1/2 po.)
59,1 cm à 59,7 cm

Épaisseur : 1,9 cm (3/4 po.)

2. Pour faire sortir le support plastique, déposez d'abord les vis situées au dessus et en dessous du support. Gardez les vis, elles seront utilisées à l'étape 5. (Figure B).

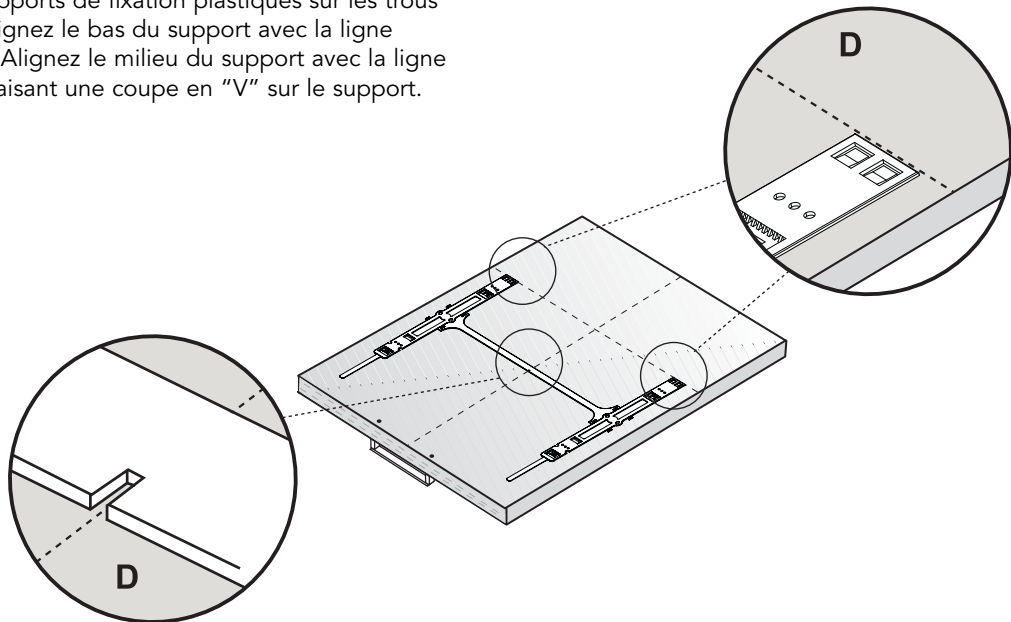


Installation

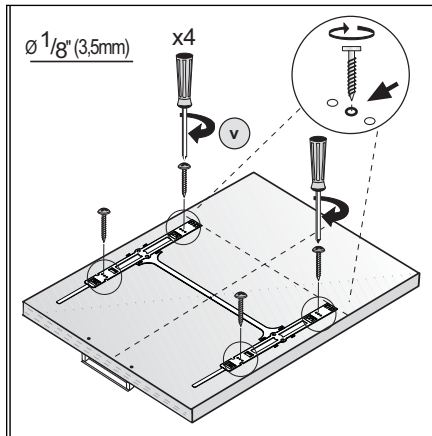


3. Faites des repères sur la porte en bois comme l'illustre le dessin (Figure C).

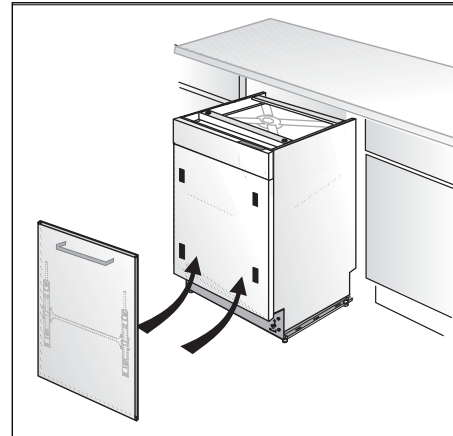
4. Placez les supports de fixation plastiques sur les trous marqués. Alignez le bas du support avec la ligne horizontale. Alignez le milieu du support avec la ligne centrale en faisant une coupe en "V" sur le support. (Figure D)



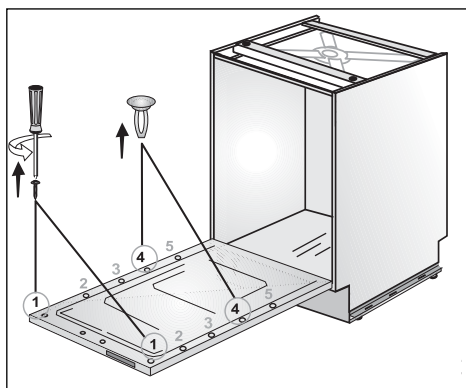
Installation



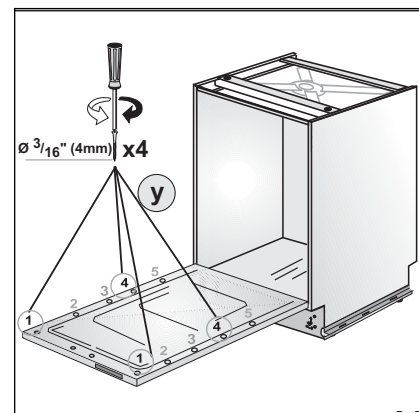
5. Fixez les deux supports de montage à la porte en bois à l'aide de 4 vis Ø 3,55 mm x 14 mm (Ø 1/8" x 5/8").



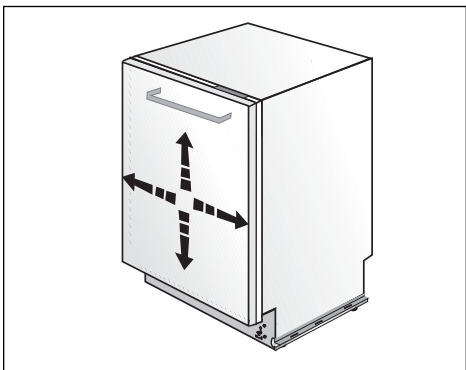
6. Montez la porte en bois sur le lave-vaisselle à l'aide des supports de fixation plastiques que vous avez installés.



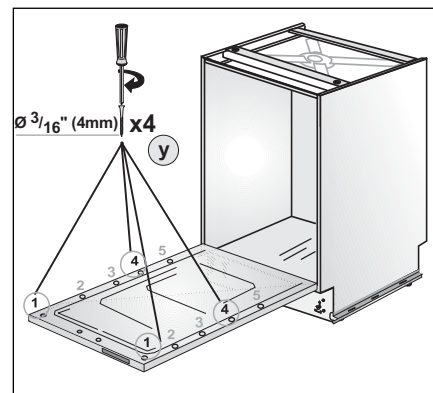
7. Ouvrez la porte et déposez les deux bouchons et les deux vis à l'intérieur de la porte sur les positions 1 et 4.



8. À l'aide des quatre vis fournies Ø 4 mm x 43 mm (Ø 3/16 po. x 1-11/16 po.), fixez la porte en bois au lave-vaisselle sur les positions 1 et 4.

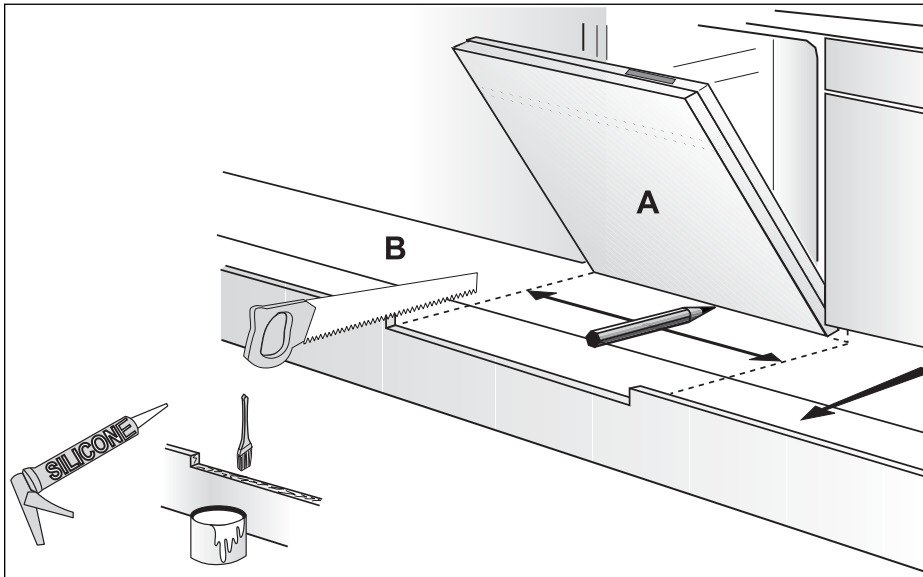


9. Vérifiez la position de la porte en bois et assurez-vous qu'elle est correctement alignée.

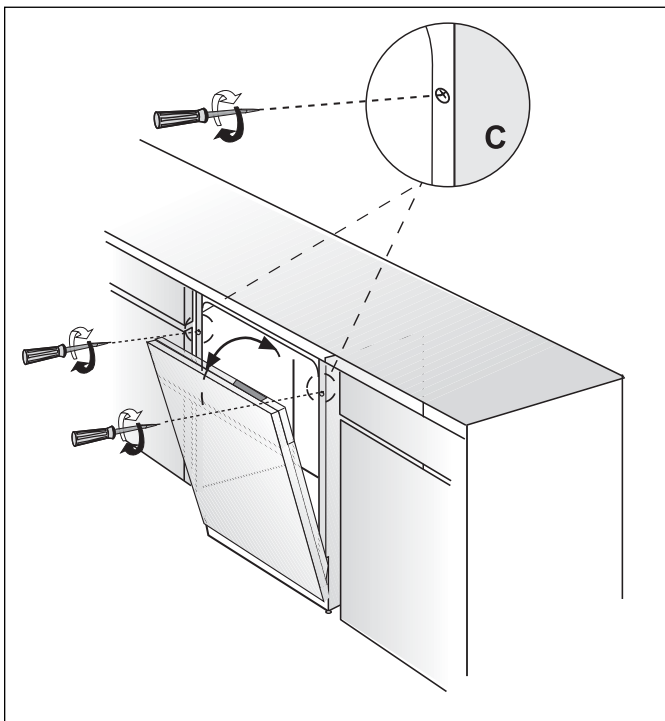


10. Serrez complètement les vis sur les positions 1 et 4 après l'alignement final.

Installation



11. Vérifiez si le bas de la porte touche le garde-pieds de l'armoire de la cuisine (Figure A).
11. 1. Si la porte touche le garde-pieds, coupez la partie nécessaire du garde-pieds (Figure B).
11. 2 Appliquez du silicone ou du mastic au bord coupé du garde-pieds de l'armoire de la cuisine ou recouvrez-le d'une couche de peinture afin qu'il n'absorbe pas l'humidité.



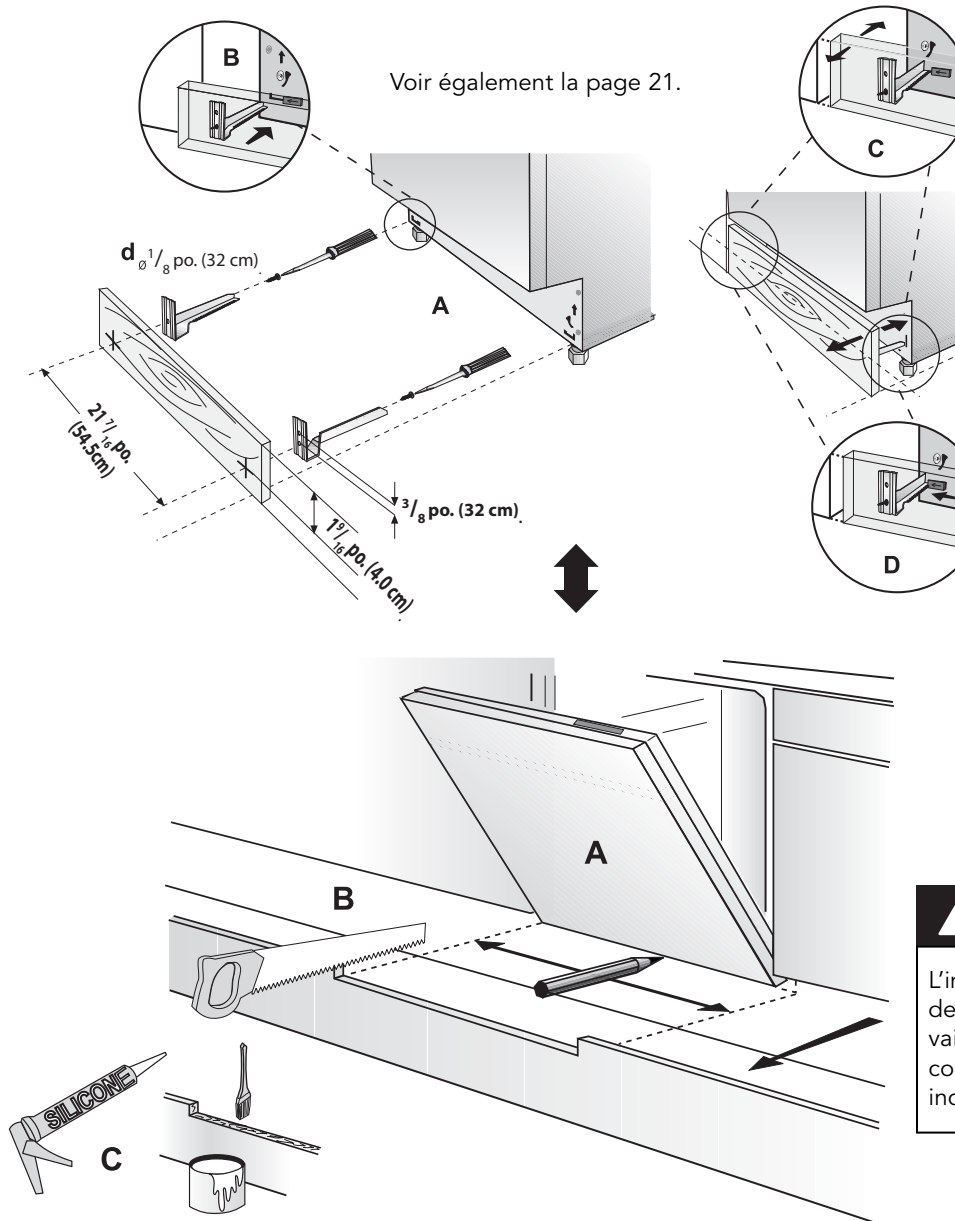
Réglage de la tension de la porte avec porte en bois personnalisée

- Vérifiez la tension de la porte du lave-vaisselle, si la porte se ferme trop rapidement ou si elle reste grandement ouverte, alors la tension du ressort doit être ajustée
- Les vis de réglage sont disponibles sur la partie avant du lave-vaisselle après l'ouverture de la porte (voir le dessin).
- Ajustez la tension du ressort en tournant la vis à droite pour obtenir plus de poids et à gauche pour moins de poids. (Figure C).

Installation

⚠ REMARQUE

Si vous avez une cuisine européenne et vous voulez installer un garde-pieds en bois pour l'assortir avec votre cuisine, reportez-vous à l'un des deux dessins présentés ci-dessous. Suivez les consignes données sur les supports pour l'installation du garde-pieds amovible. L'installation doit s'effectuer à l'aide des étapes suivantes illustrées sur les Figures A, B, C et D respectivement.



⚠ REMARQUE

L'installateur est responsable de l'installation du lave-vaisselle. La garantie ne couvre pas l'installation incorrecte du produit.

Liste de contrôle de l'installateur et dernières instructions

Votre installateur doit effectuer et vérifier les éléments suivants :

- le lave-vaisselle est carré et à niveau.
- le lave-vaisselle est solidement fixé à l'armoire.
- La porte du lave-vaisselle s'ouvre et se referme librement. La porte du lave-vaisselle doit se refermer sans toucher le coffret ou l'armoire de cuisine.
- L'arrivée d'eau est activée et son étanchéité vérifiée.
- Le flexible d'évacuation est raccordé et son étanchéité vérifiée. Le flexible d'évacuation ne doit pas être plié ni obstrué.
- Le flexible d'évacuation doit être installé avec une grande boucle de vidange de 710 mm (28") pour les raccordements à la vidange sans fuite d'air.
- Si le lave-vaisselle est raccordé à un broyeur de déchets, déposez le bouchon de la fosse d'évacuation.
- Les bras gicleurs sont libres et pivotent en toute liberté.
- Le cycle de rinçage a été exécuté.
- Le niveau d'eau est inférieur au tamis à la fin du programme de lavage. Il est normal de trouver un peu d'eau dans la zone du filtre de drain.
- Réglez l'adoucisseur d'eau au niveau de la dureté appropriée de l'eau de votre région. Si le flexible d'évacuation du lave-vaisselle est raccordé à un broyeur de déchets, assurez-vous de déposer le bouchon de l'évacuation/de la fosse.

Dernières instructions

- Appuyez sur le bouton Marche/Arrêt pour mettre le lave-vaisselle en marche.
- Le voyant d'alimentation s'allume.
- Utilisez le bouton Sélectionner un programme pour choisir un programme de lavage
- Lancez le programme à l'aide du bouton Démarrer/Pause/Annuler.
- Effectuez un cycle complet du lave-vaisselle. À la fin du cycle de lavage, utilisez le bouton Marche/Arrêt.

Astuces à l'attention du client

L'écran ne s'allume pas :

- vérifiez pour vous assurer que le disjoncteur du lave-vaisselle est sur la position Marche.
- Vérifiez pour vous assurer que le cordon d'alimentation est branché.

L'eau ne s'écoule pas dans le lave-vaisselle :

- Vérifiez pour vous assurer que la vanne d'arrêt d'eau chaude est sur la position Marche.

La vidange de l'eau ne s'effectue pas :

- Assurez-vous que le flexible d'évacuation n'est pas plié ou qu'il ne sort pas par l'intervalle d'air situé près de l'évier.
- Déposez le flexible d'évacuation du broyeur de déchets en vous assurant que le bouchon est retiré.

Entretien et enregistrement

Seules les pièces de rechange autorisées peuvent être utilisées pour l'entretien de l'appareil. Réparez ou remplacez les pièces de l'appareil uniquement si le manuel le recommande spécifiquement. L'entretien doit être confié à un technicien qualifié.

Contactez la Viking Range, LLC, 1-888-(-845-4641), pour connaître le distributeur de pièces de rechange le plus proche ou écrivez à :

VIKING RANGE, LLC
SERVICE PRIVILÉGIÉ
111 Front Street
Greenwood, Mississippi 38930 USA

Les numéros de série et du modèle de votre lave-vaisselle se trouvent sur la plaque d'identification montée sur le côté droit de la porte interne.

Veillez conserver les informations ci-dessous. Elles vous seront nécessaires en cas d'opération d'entretien.

Numéro de modèle _____

Numéro de série _____

Date d'achat _____ 27 _____

Date d'installation _____

Dealer's name _____

Adresse _____

Ces instructions d'installation doivent être conservées avec l'appareil pour référence ultérieure.

Viking Range, LLC
111 Front Street
Greenwood, Mississippi 38930 USA
(662) 455-1200

Pour des informations produit,
appeler au 1-888-(845-4641)
ou visiter notre site Web aux É.-U. (www.vikingrange.com) or in Canada (www.brigade.ca).



Guía de Instalación



1 y 3 SERIE

Lavadoras de vajilla empotradas

VDW302 / VDW302WS
RVDW103 / RVDW103WS
FDW103 / FDW302
FDW103WS / FDW302WS

Contenido

Instrucciones importantes de seguridad	3
Herramientas que pueden ser necesarias	5
Materiales que pueden ser necesarios	6
Materiales suministrados	7
Piezas suministradas	7
Especificaciones de la lavadora de vajilla	8
Preparación del encapsulado	9
Preparación eléctrica	9
Preparación para instalar soportes de montaje	9
Ajustar la altura	9
Instalar las tiras del detalle lateral	10
Preparar la conexión de agua	11
Preparación del desagüe	12
Lámina protectora contra el vapor	13
Instalación	14
Conexión de la manguera de desagüe, conexiones de suministro de agua y electricidad	14
Preparación del suministro de agua	15
Conexión eléctrica	18
Reajustar niveles de las patas	19
Ajustar placa inferior móvil	19
Instalar un panel personalizado	21
Lista de verificación del instalador	26
Instrucciones finales	26
Servicio y registro	27

IMPORTANTE – Lea y siga las instrucciones

! ADVERTENCIA

Lea estas instrucciones de instalación completamente antes de instalar y sígalas detalladamente. Guarde estas instrucciones de instalación y entréguelas a todo usuario futuro.

- Lea este manual de instalación y particularmente las instrucciones completa y detenidamente. Le ahorrarán tiempo y esfuerzo, además de servir para asegurar el rendimiento óptimo de la lavadora de vajilla.
- Siempre observe todas las advertencias y precauciones indicadas. Busque en particular los iconos con signos de exclamación adentro. El icono de información también ofrece referencias importantes.

! ADVERTENCIA

Indica una situación potencialmente peligrosa que, si no se evita, podría causar lesiones graves o fatales.

! NOTA

Indica una situación potencialmente peligrosa que, si no se evita, puede causar daños a la lavadora de vajilla, la loza, el equipo o el medio ambiente.

! PRECAUCIÓN

Indica una situación potencialmente peligrosa que, si no se evita, puede causar lesiones. También se puede usar para alertar contra prácticas peligrosas.

! NOTA

La instalación debe realizarla un plomero, contratista o instalador capacitado, que tenga licencia y seguro. La instalación realizada por otras personas podrían causar una instalación indebida y daños materiales.

Además de estas instrucciones, se debe instalar la lavadora de vajilla:

- Conforme a todos los códigos locales o, en la ausencia de un código local,
- En los Estados Unidos, conforme al Código nacional de Electricidad,
- En Canadá, conforme al Código Canadiense de Electricidad C22.1-edición más reciente/Códigos provinciales y municipales y/o códigos locales.

Al instalar la lavadora de vajilla, siga precauciones básicas, como las siguientes:

- La lavadora de vajilla debe convertirse solamente de conexión con cable a conexión permanente a través de un representante autorizado de servicio.
- La instalación y reparación debe realizarlas un instalador calificado. El trabajo de personas no calificadas podría ser peligroso y puede dejar nula la garantía.

! PRECAUCIÓN

Este aparato no se destina para utilizarse por personas (incluyendo niños) cuyas capacidades físicas, sensoriales o mentales sean diferentes o estén reducidas, o carezcan de experiencia o conocimiento, a menos que dichas personas reciban un supervisión o capacitación para el funcionamiento del aparato por una persona responsable de su seguridad.

Los niños deben supervisarse para asegurar que ellos no empleen lo aparatos como juguete.

! NOTA

- No descarte ninguna bolsa ni artículos que vengan con el paquete original hasta después de haber terminado toda la instalación.

Preparación del lugar

Se recomienda realizar una inspección completa del lugar ANTES de desempacar y trasladar este artefacto.

IMPORTANTE – Lea y siga las instrucciones

- **NO** opere el artefacto si está dañado, funciona mal, está parcialmente desarmado o si tiene piezas faltantes o rotas.
- Siga también las instrucciones de seguridad de la guía de uso y cuidado.
- Para reducir el riesgo de choque eléctrico, incendio o lesiones físicas, el instalador debe asegurar que la lavadora de vajilla quede completamente encapsulada en el momento de la instalación.
- Solo conecte la lavadora de vajilla a la fuente de alimentación cuando se haya terminado todo el trabajo de instalación y plomería.
- Si la lavadora de vajilla se instala en un lugar que tenga temperaturas bajo cero (por ej. en una casa para vacaciones, cabaña, etc.), debe extraer toda el agua del interior de la lavadora de vajilla. Las rupturas en el sistema de agua que ocurren a causa de la congelación no están cubiertas por la garantía.
- La lavadora de vajilla debe quedar fija a los muebles adyacentes usando los soportes provistos. De lo contrario puede causar daños materiales o lesiones físicas.
- Conecte la unidad a un circuito de fuente de alimentación de capacidad nominal adecuada, protegido y bien dimensionado para evitar sobrecargas eléctricas. La lavadora de vajilla está diseñada para un suministro eléctrico de **120V (voltios), 60Hz (hertz), CA**, conectada a un circuito eléctrico dedicado a ella, debidamente conectado a tierra, con un fusible o disyuntores que tengan capacidad nominal para 15 amperios. Los conductores de suministro eléctrico serán como mínimo de cable de cobre caillbre #16 AWG con capacidad nominal para 167°F (75°C) o más. Se deben cumplir estos requisitos para prevenir lesiones y daños a la máquina. Consulte con un electricista calificado si tiene dudas.
- **NO** use ningún cable de extensión ni dispositivo de salida portátil para conectar la lavadora de vajilla a una fuente de alimentación.
- Confirme que se descarten de manera segura todas las envolturas, bolsas y trozos pequeños de plástico, etc., y que se mantengan fuera del alcance de los niños. ¡Peligro de asfixia!
- Retire la puerta de la lavadora de vajilla al retirar una lavadora vieja del servicio o descartarla. Confirme que el artefacto no presente ningún peligro para los niños estando almacenado para desecharlo.
- Los artefactos viejos pueden contener materiales que pueden reciclarse. Póngase en contacto con la autoridad local de reciclaje para averiguar la posibilidad de reciclar estos materiales.

NOTA

- La manguera de la lavadora de vajilla debe instalarse con un bucle de desagüe al menos a 710 mm (28 pulgadas) del piso del mueble; de lo contrario la lavadora puede no desaguar correctamente.
- Esta está destinada solo al uso residencial y no debe utilizarse en establecimientos comerciales.
- Nueva instalación: Si la lavadora de vajilla es una nueva instalación, la mayor parte del trabajo debe hacerse antes de trasladar la lavadora de vajilla a su sitio.
- Reemplazo: Si la lavadora de vajilla reemplaza a otra, confirme que las conexiones existentes de la lavadora de vajilla sean compatibles con la nueva, y cambie las piezas según sea necesario.
- Inspeccione la lavadora de vajilla: Después de desempacar la lavadora de vajilla y antes de instalarla, inspecciónela totalmente en busca de posible daño en tránsito o de tipo estético. Reporte todo daño inmediatamente.

Para contactarnos, puede llamar a nuestra línea gratis 1-888-845-4641 o visitar nuestro sitio web en los EE. UU. (www.vikingrange.com) o en Canadá (www.brigade.ca).

Información general

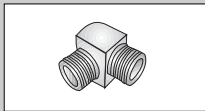
Herramientas que pueden ser necesarias		
		
Llave de tubería	Cortador de alambres	Taladro
		
Sierra caladora	Martillo	Pelador de alambres
		
Cinta para medir	Destornillador Torx (T20)	Destornillador Phillips
		
Llave ajustable	Destornillador de ranura	Tijeras
		
Nivel	Cepillo	Lápiz

Información general

Materiales que pueden ser necesarios



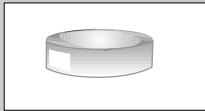
Línea de suministro de agua caliente – Tubo de cobre con un D.E. mínimo 9,5 mm (3/8 pulg) o línea de suministro de metal trenzado para lavadora de vajilla.



Codo de 90° con roscados macho de 9,5 mm (3/8 pulg) N.P.T. en una pata, y dimensionado para adecuarse a su línea de suministro de agua (tubería de cobre/accesorio de compresión o manguera trenzada) en la otra pata.



Conector conductor o alivio de tensión listado por UL.



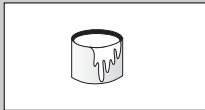
Cinta de teflón u otro compuesto para roscado de tuberías que sirva para sellar conexiones de plomería.



Válvula de paso y accesorios apropiados para el suministro de agua caliente (tubería de cobre/accesorio de compresión o manguera trenzada).



Silicona.




















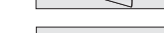
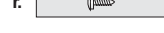







Pegamento.

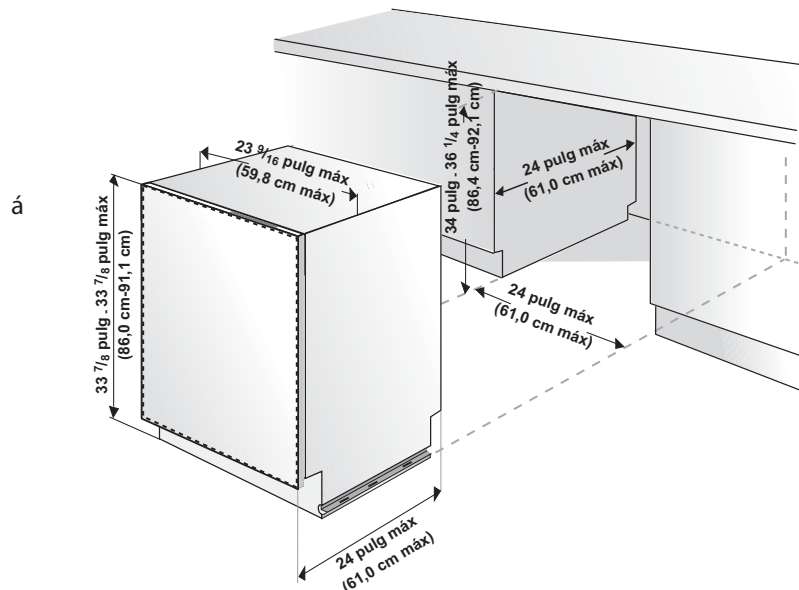
Información general

Piezas suministradas

Las piezas de la lavadora de vajilla vienen en varias bolsas plásticas. Revise las bolsas de piezas para asegurarse de tener todas las piezas que se indican a continuación.

Materiales suministrados		
	x1	Bolsa 1 de piezas para la lavadora de vajilla Esta bolsa para la lavadora viene con las siguientes piezas:
	x1	
	x1	a. Tiras del detalle lateral – Izquierda
	x6	b. Tiras del detalle lateral – Derecha
	x1	c. Llave de ajuste
	x1	d. Tornillos Ø 3,5 x 14 mm (Ø 1/8x5/8 pulg)
	x1	e. Soporte de montaje – Izquierda
	x1	f. Soporte de montaje – Derecha
	x1	g. Abrazadera de resorte
	x1	h. Abrazadera de tornillo
	x1	j. Conector de caucho
	x1	k. Soporte de placa inferior – Izquierda
	x1	l. Soporte de placa inferior – Derecha
	x1	m. Protector del borde
	x1	n. Broches
	x1	o. Placa inferior (placa inferior sin ranuras)
	x2	p. Placa inferior
	x1	r. Tornillos de Ø 3,9 x 9 mm (Ø 1/8x3/8 pulg)
	x2	s. Tapas plásticas
	x2	t. Tornillos de Ø 4 x 6 mm (Ø 3/16x1/4 pulg)
	x4	z. Lámina protectora contra el vapor
	x4	
	x4	
	x4	
	x4	
	x1	
		Bolsa 2 de piezas para la lavadora de vajilla
		v. Tornillos de Ø 3,5 x 14 mm (Ø 1/8x5/8 pulg)
		y. Tornillos de Ø 4 x 43 mm (Ø 3/16x1-3/4 pulg)
		Piezas adosadas detrás de la lavadora de vajilla
		a. Tiras del detalle lateral – Izquierda
		b. Tiras del detalle lateral – Derecha
		o. Placa inferior (Placa inferior sin ranuras)
		p. Placa inferior

Especificaciones



Lavadora de vajilla empotrada, Modelos: FDW101, FDW300

Ancho total	59,8 cm (23-9/16 pulg)
Altura total desde el piso	86,0 cm (33-7/8 pulg) mín. a 91,1 cm (35-7/8 pulg) máx.
Profundidad total desde atrás	sin panel de puerta – 54,9 cm (21 5/8 pulg) con panel de puerta – 156,4 cm (22 3/16 pulg)
Ancho de recorte	61,0 cm (24 pulg)
Altura de recorte	86,4 cm (34 pulg) mín. a 91,4 cm (36 pulg) máx.
Profundidad de recorte	61,0 cm (24 pulg)
Requerimientos eléctricos	12 A, 120V, 60 Hz; cable eléctrico de 1,2 m (4 pies) suministrado con la unidad
Capacidad nominal del elemento calentador de agua	1240 W
Temperatura del agua de entrada	49°C (120°F) requeridos
Presión del agua de entrada	0,3 - 10 bar (4,35 a 145 psi), (0.03 MPa a 1 MPa)
Rango operativo	
Manguera del agua de entrada	Se requiere tubería de cobre con DE mínimo de 9,5 mm (3/8 pulg) o línea de agua de metal trenzado.
Manguera de desagüe	Manguera de desagüe de 1,9 m (6,4 pies) provista
Se requiere bucle alto para la manguera de desagüe	Altura desde el piso – 71,1 cm (28 pulg)
Peso aproximado de envío	97 lbs. (44 kg)

⚠ NOTA

Dado que nos esforzamos continuamente por mejorar nuestros productos, podemos cambiar nuestras especificaciones y diseño sin previo aviso. Este dispositivo corresponde a las siguientes directrices: Directriz para lavadoras de vajilla caseras UL 749.

Preparación del encapsulado

Preparación eléctrica

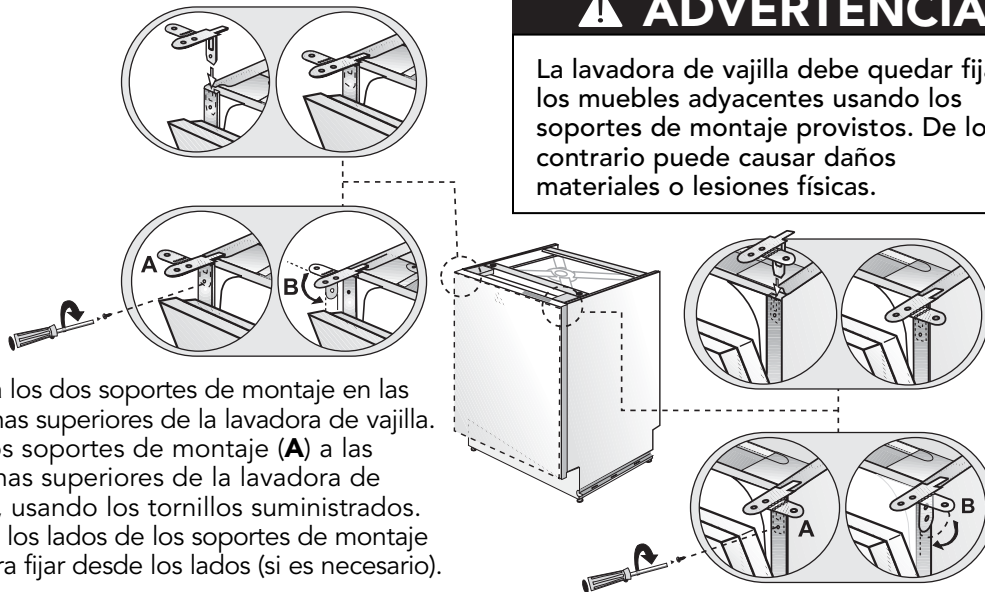
⚠ ADVERTENCIA

La lavadora de vajilla está diseñada para un suministro eléctrico de 120V, 60Hz, CA, conectada a un circuito eléctrico dedicado a ella, debidamente conectado a tierra, con un fusible o disyuntor con capacidad nominal para 15 amperios.

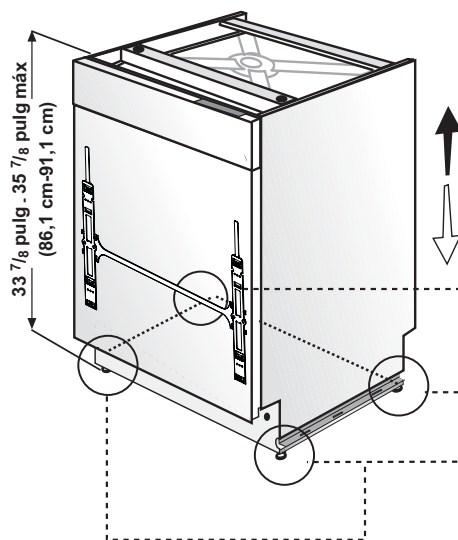
Preparación para instalar soportes de montaje

⚠ ADVERTENCIA

La lavadora de vajilla debe quedar fija a los muebles adyacentes usando los soportes de montaje provistos. De lo contrario puede causar daños materiales o lesiones físicas.



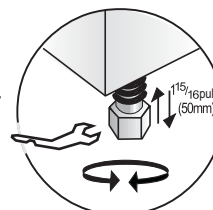
- Ponga los dos soportes de montaje en las esquinas superiores de la lavadora de vajilla.
- Fije los soportes de montaje (A) a las esquinas superiores de la lavadora de vajilla, usando los tornillos suministrados.
- Doble los lados de los soportes de montaje (B) para fijar desde los lados (si es necesario).



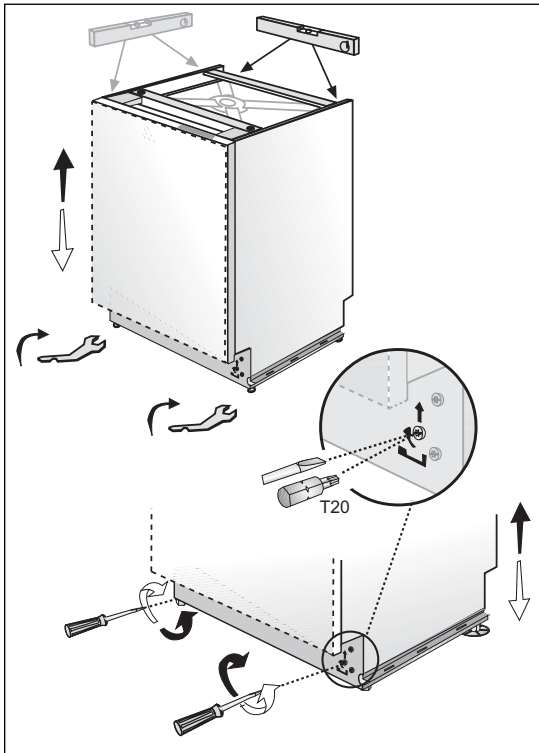
Ajustar la altura

Si la altura del encapsulado es de 86,1cm-91,1cm (33-7/8 a 35-7/8 pulg), ajuste los soportes como se muestra en la figura.

Suministrados (4)



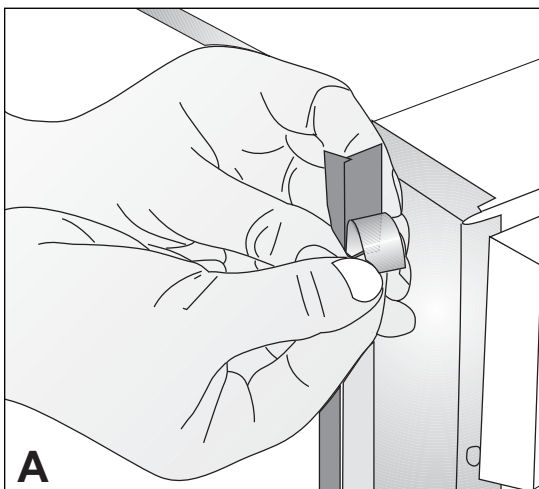
Preparación del encapsulado



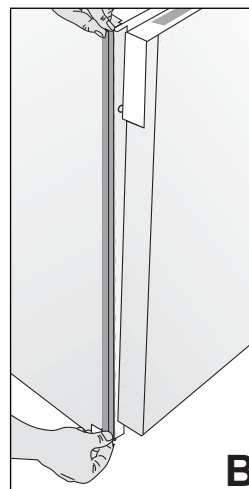
- Ajuste el nivel de las patas delanteras con la llave de ajuste para equilibrar y subir la lavadora de vajilla a la altura del encapsulado.
- Ajuste el nivel de las patas traseras con un destornillador para equilibrar y subir la lavadora de vajilla a la altura del encapsulado.

⚠ NOTA

- Revise que la lavadora de vajilla quede a plomo y observe que la lavadora de vajilla puede colocarse con un pequeño espacio debajo de la superficie del mostrador.
- Si se gira el destornillador en la dirección de las flechas negras se subirán las patas de la lavadora de vajilla.
- Si se gira el destornillador en la dirección de las flechas blancas se bajarán las patas de la lavadora de vajilla.



A



B

Instalar las tiras del detalle lateral

- Retire la cinta adhesiva (Figura **A**).
- Ponga las tiras de detalle en el borde delantero de las paredes laterales (Figura **B**).

⚠ NOTA

Asegúrese de usar la tira correcta porque hay una tira del lado izquierdo y una del lado derecho. El material flexible debe quedar apuntando hacia delante (Figura **B**).

Preparación de la instalación

Preparar la conexión de agua (A)

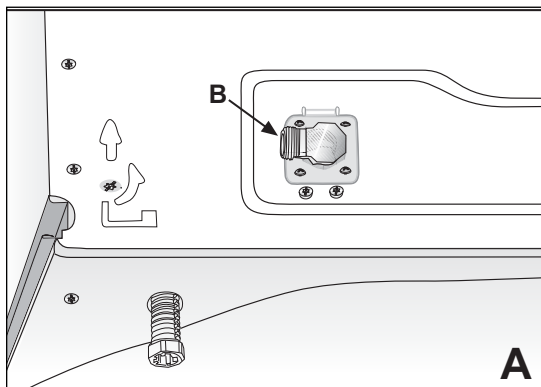
- Instale una válvula de paso fácilmente accesible (no se incluye) en la línea de suministro de agua. Deben efectuarse todas las conexiones de soldadura antes de conectar la línea de agua a la válvula de entrada de agua de la lavadora de vajilla. También puede suministrarse agua a la lavadora de vajilla usando una línea de manguera trenzada flexible.
- Confirme que estén correctas las fuentes de suministro de plomería para la manguera y el codo de 90° para la línea de suministro de agua necesaria. Este material no se suministra y debe comprarse por separado.

⚠ ADVERTENCIA

La instalación debe realizarla un instalador calificado. El trabajo de personas no calificadas podría ser peligroso y puede dejar nula la garantía.

Si la lavadora de vajilla se instala en un lugar que tenga temperaturas bajo cero (por ej. en una casa para vacaciones, cabaña, etc.), debe extraer toda el agua del interior de la lavadora de vajilla. Las rupturas en el sistema de agua que ocurren a causa de la congelación no están cubiertas por la garantía.

Instalar el accesorio del codo de 90° (B)



⚠ PRECAUCIÓN

No apriete en exceso el codo de 90°. Si hace esto puede dañar la válvula de entrada de agua y causar una fuga de agua.

Si la línea de suministro de agua es de tubería de cobre, revise que el codo tenga un accesorio de compresión. Aplique cinta de Teflon u otro sellador de tuberías cuando se necesite. Oriente la conexión de suministro de agua hacia abajo como se muestra en la figura para que la línea de agua se pueda poner fácilmente debajo o al costado de la lavadora de vajilla.

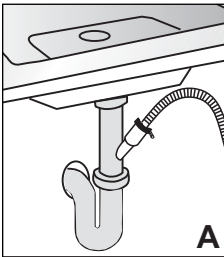
Preparación de la instalación

Preparación del desagüe

Puede conectarse la manguera de desagüe de la lavadora de vajilla al desagüe de una de las siguientes tres maneras (Figuras **A**, **B**, **C**):

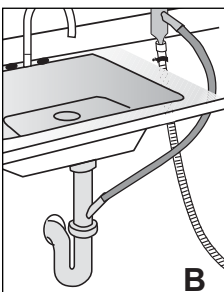
⚠ NOTA

- Debe usarse cualquiera de los métodos anteriores de lo contrario no funcionará correctamente la lavadora de vajilla.
- Una manguera que se conecte al rociador de un fregadero puede explotar si se instala en la misma línea de agua que la lavadora de vajilla. Si el fregadero tiene una, se recomienda desconectar la manguera y tapan el agujero.
- El largo total de la manguera de desagüe es de 1950 mm (76-3/4 pulg). Si se requiere una extensión de la manguera, debe usarse una manguera de desagüe de igual calidad.
- El largo máximo no debe exceder 4000 mm (157-1/2 pulg). De lo contrario, el proceso de limpieza se ve perjudicado.



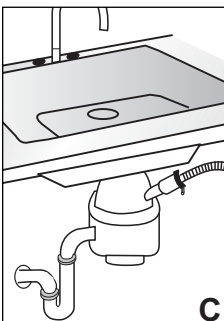
Desagüe debajo del fregadero

- Instale una tubería de cola en Y (Figura **A**).



Instalar un espacio de aire

- Si la ordenanza local requiere un espacio de aire (Figura **B**).



Descarte

- Retire el tapón de conexión de desagüe antes de conectar la manguera de desagüe desde la lavadora de vajilla.
- Todo triturador tiene una conexión para lavadora de vajilla; consulte el manual del triturador para ver la conexión correcta (Figura **C**).

⚠ NOTA

Debe agregar un bucle o vuelta al menos 71,1 cm (28 pulg) sobre el piso del mueble y sobre la conexión del desagüe en la manguera de desagüe para prevenir que drene indebidamente el agua de descarte y causar malos resultados de lavado o mal olor.

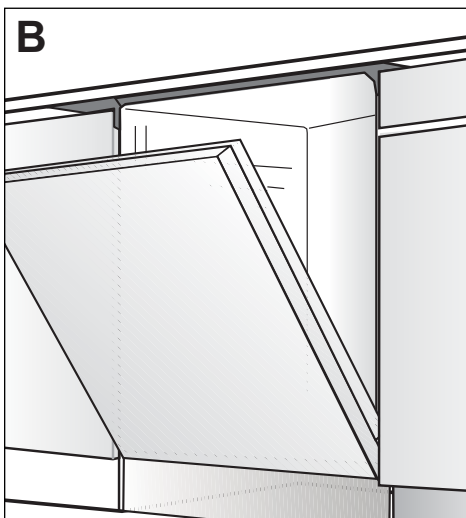
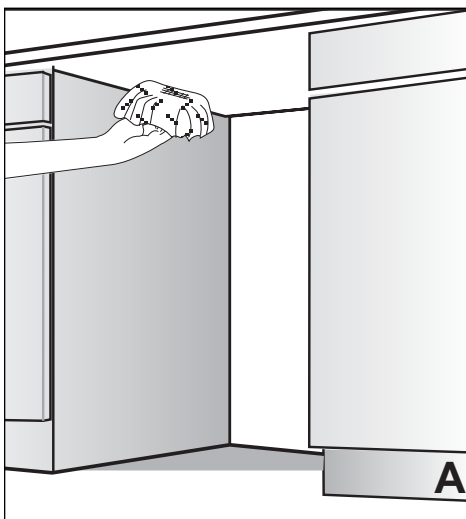
⚠ NOTA

Revise la ordenanza local en busca del tipo de espacio de aire que se requiere.

Preparación de la instalación

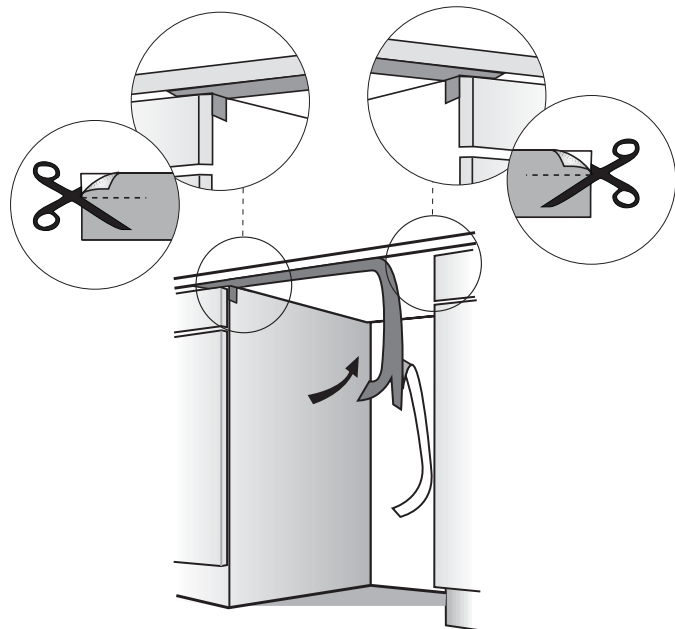
Lámina protectora contra el vapor

Se forma vapor dentro de la lavadora de vajilla durante la operación. Al terminar el ciclo, cuando se abre la puerta de la lavadora de vajilla, se debe usar una lámina protectora contra el vapor a fin de evitar que se acumule vapor por debajo de la superficie del mostrador.



Instalar la lámina protectora contra el vapor

- Antes de aplicar la lámina protectora contra el vapor por debajo de la superficie del mostrador, limpie el área con un paño húmedo (como se muestra en la Figura **A**). Una vez que se seque el área, aplique la lámina protectora contra el vapor.
- La lámina protectora contra el vapor se aplica en el lugar donde escapa el vapor caliente cuando se abre por primera vez la puerta (como se muestra en la Figura **B**).



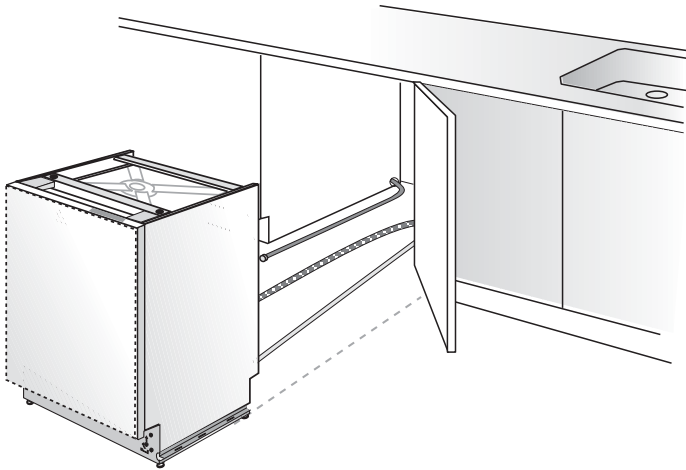
⚠ PRECAUCIÓN

Debe aplicarse la lámina protectora contra el vapor donde escapa vapor cuando se abre la puerta por primera vez. **Si no se instala la lámina protectora contra el vapor durante la instalación se pueden dañar los muebles y la superficie del**

Instalación

Colocación de la lavadora de vajilla en la abertura

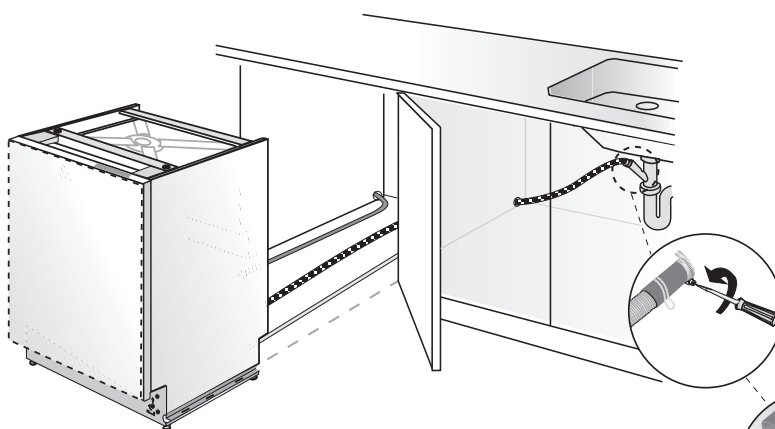
Ahora ponga la lavadora de vajilla en la abertura y prepárese para conectar todas las mangueras y las conexiones eléctricas.



⚠ PRECAUCIÓN

Revise que todas las mangueras salgan por la abertura lateral del mueble, sin dobleces, y que se elimine todo huelgo como se muestra en la figura a la izquierda.

Conexión de la manguera de desagüe, conexiones de suministro de agua y electricidad



Observe que las marcas en la manguera de conexión de caucho deben quedar en el lado de la manguera de desagüe.

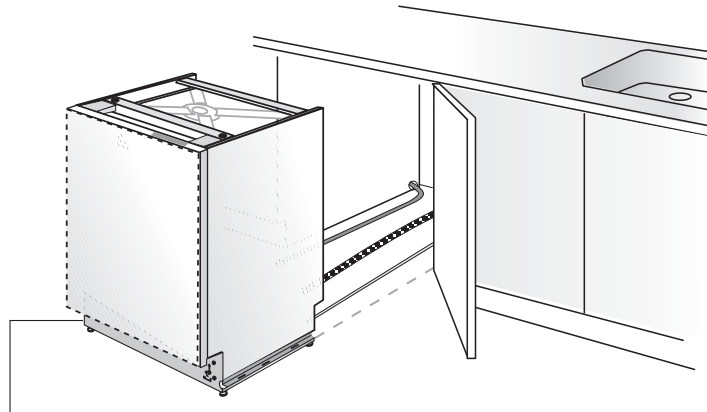
Conexión de la manguera de desagüe

Conecte la manguera de desagüe al desagüe mismo.

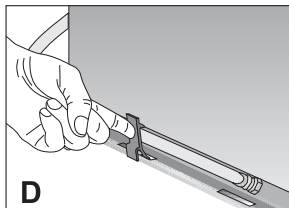
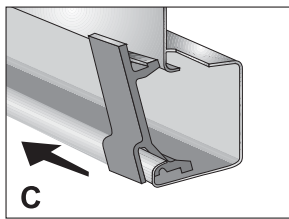
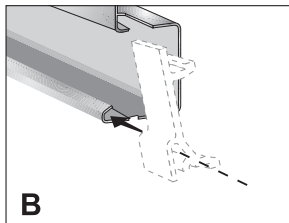
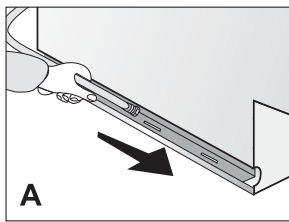
- Use la manguera de conexión de caucho suministrada y las abrazaderas de manguera de desagüe para conectar la manguera de desagüe de la lavadora de vajilla a la conexión del desagüe.
- Use la abrazadera con resorte para fijar la manguera de conexión de caucho a la manguera de la lavadora de vajilla. Use la abrazadera de tornillo para fijar la manguera de conexión de caucho a la conexión del desagüe.

Instalación

Preparación del suministro de agua

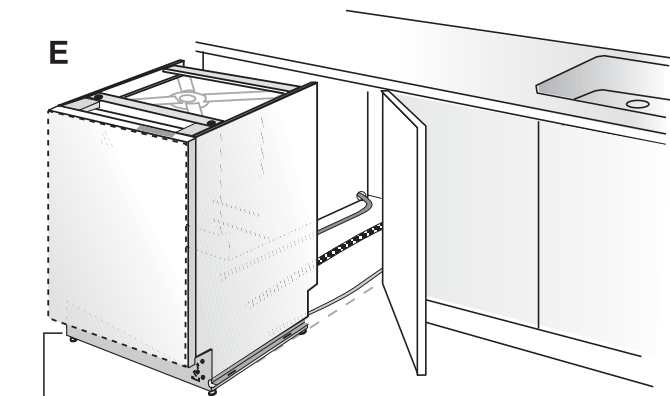


Suministro de agua del lado izquierdo Conexión

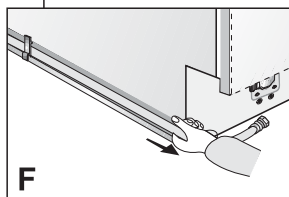


- Antes de empujar la lavadora de vajilla dentro del mueble, debe poner las mangueras de suministro de agua dentro del canal de la lavadora de vajilla (Figura **A**).
- Ponga los broches suministrados en el canal (Figura **B**) para que pueda moverlos a lo largo del canal (Figura **C**) y fijarlos presionándolos (Figura **D**) para poder mantener la manguera de suministro de agua en el canal.

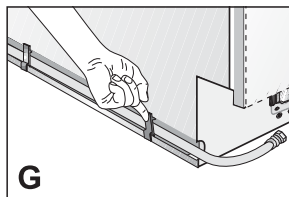
Instalación



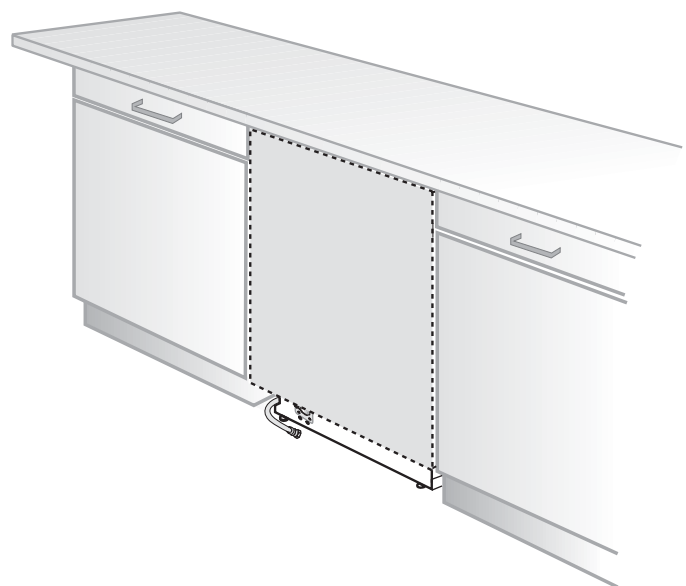
- Después de instalar un broche a cada lado, empuje la lavadora de vajilla dentro del mueble (Figura **E**).



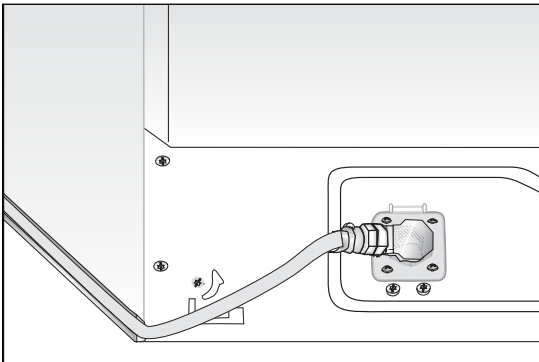
- Observe que mientras empuja la lavadora de vajilla dentro del mueble, la manguera de suministro de agua debe encajar en el canal de la parte delantera (Figura **F**).



- Fije el segundo broche (Figura **G**).



Instalación



Puede suministrarse el suministro de agua a la lavadora de vajilla de dos maneras:

- Con manguera de metal trenzado.
- Con tubería de cobre.

⚠ PRECAUCIÓN

- Línea de suministro de agua caliente: Use tubería de cobre con D.E. mínimo de 9,5 mm (3/8 pulg) o línea de suministro de metal trenzado para lavadora de vajilla.
- Las temperaturas requeridas para soldar y la transpiración dañan la válvula de entrada de agua de la lavadora de vajilla, de tal modo que si necesita este tipo de operación, mantenga la fuente de calor a un mín. de 20,0 cm (7-7/8 pulg) de distancia de la válvula de entrada de agua de la lavadora de vajilla.
- No debe haber ningún doblez agudo en la línea de agua que puedan restringir el flujo de agua.
- Debe usarse cinta de teflón o compuesto para roscados de tubería para sellar la conexión. Antes de conectar la línea de cobre para suministro de agua a la lavadora de vajilla, lávela con agua caliente para despejar todo material extraño.

⚠ NOTA

Después de hacer las conexiones, active el paso de agua para revisar si hay

Instalación

Conexión eléctrica

⚠ ADVERTENCIA

- Revise que el voltaje y la frecuencia indicados en la placa de datos corresponda con el suministro eléctrico de la casa. Estos datos deben corresponder para prevenir lesiones y daños a la máquina. Consulte con un electricista calificado si tiene dudas.
- Solo conecte la lavadora de vajilla a la red principal cuando se haya terminado todo el trabajo de instalación y plomería.
- **NO** use ningún cable de extensión ni dispositivo de salida portátil para conectar la lavadora de vajilla a una fuente de alimentación.
- Debe instalarse el receptáculo de la fuente de alimentación para el artefacto en un mueble o en una pared adyacente al espacio debajo del mostrador en donde se va a instalar el artefacto.
- El agujero de acceso del cable de alimentación al compartimiento de instalación debe estar liso y redondeado, y debe ser suficientemente grande como para que pase el enchufe de conexión. La dimensión más larga de la abertura no debe ser superior a 35 mm (1,5 pulg). Si la partición es de metal, debe cubrirse con protector de bordes.
- Debe tenerse cuidado cuando se instale o retire el artefacto, con el fin de reducir la probabilidad de dañar el cable de alimentación.

Instrucciones para conectar a tierra

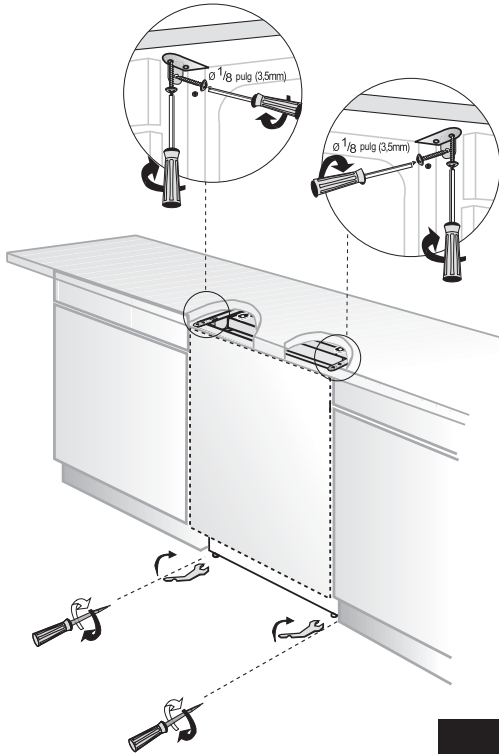
Este artefacto debe conectarse a tierra. En caso de funcionar mal o fallar, la puesta a tierra reduce el riesgo de choque eléctrico al brindar una vía de menor resistencia para la corriente eléctrica. Este artefacto está equipado con un cordón que tiene un conductor de puesta a tierra para equipos y un enchufe a tierra. El enchufe debe ponerse en un tomacorriente adecuado que esté instalado y conectado a tierra conforme a todos los códigos y las ordenanzas locales. Este artefacto debe conectarse con un sistema de metal a tierra, cableado permanente, o debe tenderse un conductor de puesta a tierra para equipos con los conductores de circuito y conectarse al terminal o conductor de puesta a tierra para equipos en el artefacto.

⚠ ADVERTENCIA

- La conexión incorrecta del conductor de puesta a tierra para equipos puede causar un riesgo de choque eléctrico. Confirme con un electricista calificado o con un representante de servicio si tiene dudas sobre la conexión a tierra correcta del artefacto. No modifique el enchufe provisto con el artefacto; si no encaja en el tomacorriente, pida a un electricista calificado que instale uno adecuado.

Instalación

Reajustar las patas niveladoras



Ahora que ha quedado la lavadora de vajilla en el mueble, debe reajustar las patas niveladoras para dejar la lavadora de vajilla a la altura correcta y fijarla debajo de la superficie del mostrador.

- Reajuste la pata niveladora delantera con la llave de ajuste para equilibrar la lavadora de vajilla y subirla debajo del mostrador; revise que quede nivelada la unidad.
- Reajuste la pata niveladora posterior con un destornillador para equilibrar la lavadora de vajilla y subirla a la altura correcta usando los soportes incluidos.
- Sujete la lavadora de vajilla debajo de la superficie del mostrador con los cuatro tornillos incluidos ($\text{Ø } 3,5 \text{ mm} \times 14 \text{ mm}$ - $\text{Ø } 1/8 \times 1/8$ pulg). Fíjese en no atravesar la superficie del mostrador ni dañar el granito.

Ajustar la placa inferior móvil

Ahora que ha instalado correctamente la lavadora de vajilla, debe colocar la placa inferior de la lavadora de vajilla. Puede ajustarse la placa inferior de dos piezas a la altura y profundidad necesarias para su cocina. Confirme que se use la placa inferior ranurada adelante y la otra detrás de ella. Se deslizan una dentro de otra.

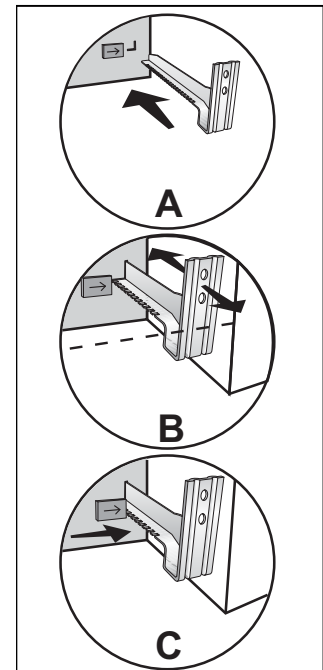
1. Inserte los soportes de la placa inferior móvil en el canal (A).
2. Revise que la lengüeta plástica a la izquierda de la abertura en "L" en la lavadora de vajilla no haya cerrado el canal por donde empuje el soporte.

! NOTA

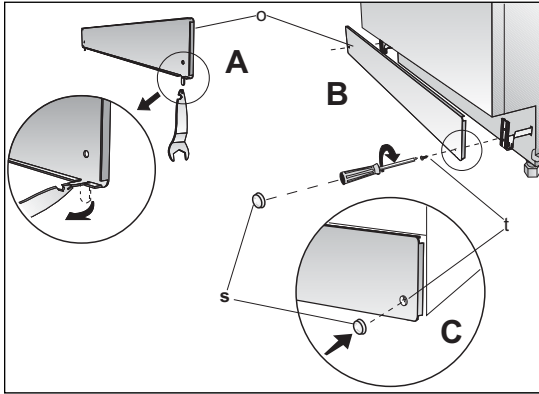
Hay un soporte izquierdo y otro derecho.

- Ajuste los soportes de la placa inferior hacia delante o atrás para que se alineen con la placa inferior de la cocina (B).
- Trabe los soportes de la placa inferior como se muestra con la lengüeta plástica en la lavadora de vajilla dentro de los dientes del soporte (C).

3. Ahora ponga la placa inferior en el soporte con los dos tornillos ($\text{Ø } 4 \text{ mm} \times 6 \text{ mm}$ / $\text{Ø } 3/16 \times 1/4$ pulg) y las tapas provistas de la siguiente manera.



Instalación

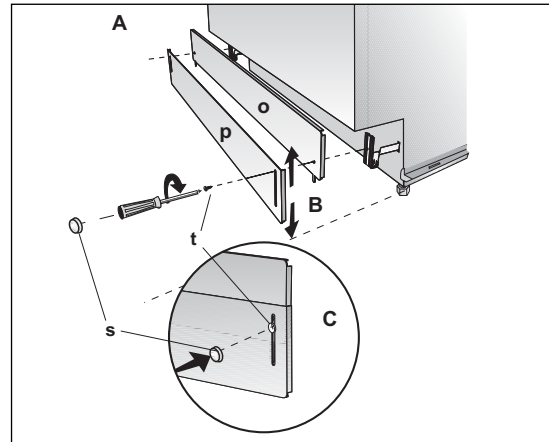


Si la altura del encapsulado es menor de 84,0 cm (33-1/16 pulg), use solo la placa inferior rotulada **(o)** (la placa inferior sin ranuras). Debe hacerse la instalación siguiendo los pasos ilustrados en las Figuras **A**, **B** y **C** respectivamente.

1. Doble las lengüetas en la placa inferior **(o)** hacia dentro **(A)**.
2. Fije la placa inferior a los soportes con los tornillos **(t)** como se muestra en las bolsas de suministros **(B)**.
3. Instale las tapas **(s)** como se muestra en las bolsas de suministros **(C)**.

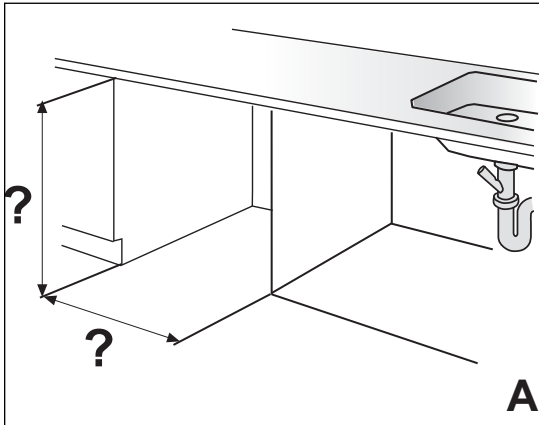
Si la altura del encapsulado es mayor de 84,0 cm (33-1/16 pulg), use juntas las placas inferiores rotuladas **"o"** and **"p"**. Confirme que la placa inferior ranurada **(p)** esté hacia fuera para poder ajustar la altura de la placa inferior. Debe hacerse la instalación siguiendo los pasos ilustrados en las figuras **A**, **B** y **C** respectivamente.

1. Alinee la placa inferior **(o)** y **(p)** **(A)**.
2. Fije las placas inferiores a los soportes con los tornillos **(t)** después de ajustar la altura de la placa inferior ranurada **(p)** **(B)**.
3. Instale las tapas **(s)** como se muestra en las bolsas de suministros **(C)**.



Instalación

Instalar un panel personalizado

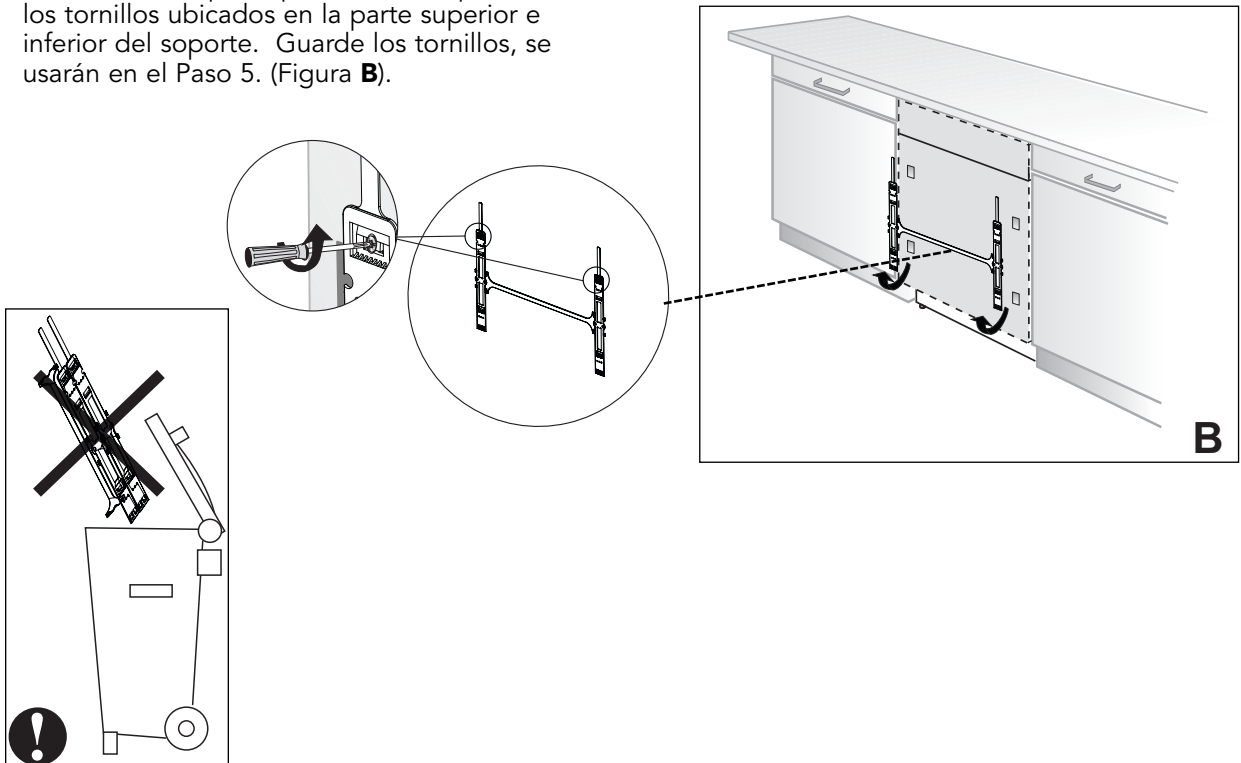


Mida la altura y anchura del encapsulado (Figura **A**) y de la placa inferior. Determine el tamaño que puede tener la puerta de madera. Por ejemplo, si la altura es de 86,0 cm (33-7/8 pulg) y si la placa inferior es de 10,0 cm (3-15/16 pulg), la puerta no puede ser más alta de 76,0 cm (29-15/16 pulg).

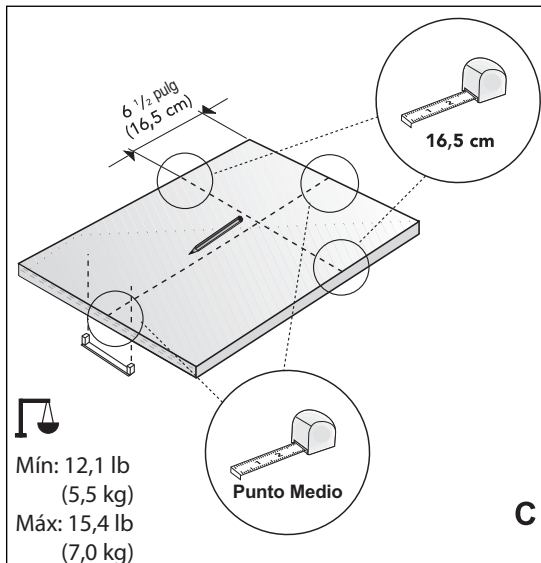
1. Prepare la puerta de madera con los soportes de montaje.

Altura: Altura de la puerta de madera
 76,2 cm (30 pulg)
Anchura: 59,1 cm a 59,7 cm
 (23-1/4 a 23-1/2 pulg)
Espesor: 1,9 cm (3/4 pulg)

2. Para sacar el soporte plástico, retire primero los tornillos ubicados en la parte superior e inferior del soporte. Guarde los tornillos, se usarán en el Paso 5. (Figura **B**).

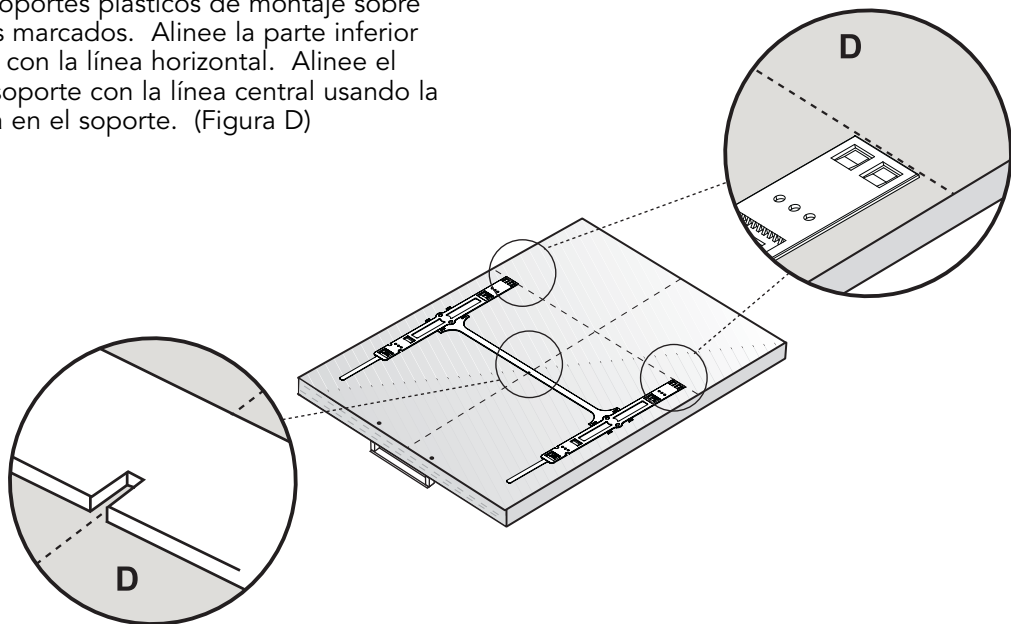


Instalación

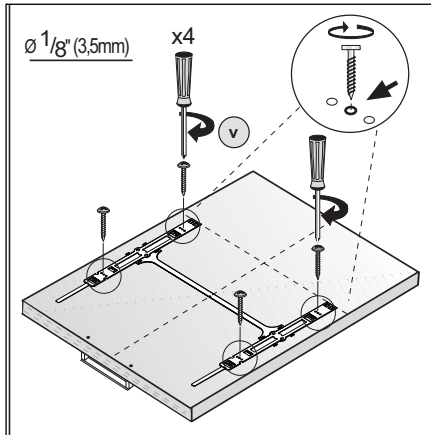


3. Marque la puerta de madera como se muestra en el dibujo (Figura C).

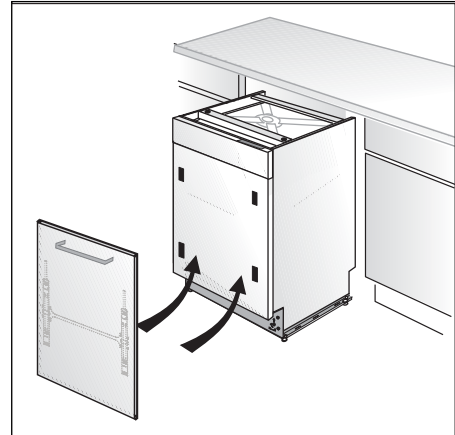
4. Ponga los soportes plásticos de montaje sobre los agujeros marcados. Alinee la parte inferior del soporte con la línea horizontal. Alinee el centro del soporte con la línea central usando la "V" cortada en el soporte. (Figura D)



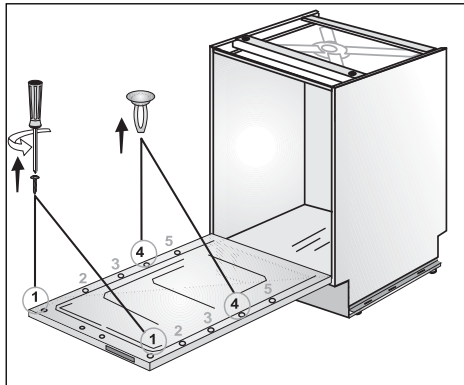
Instalación



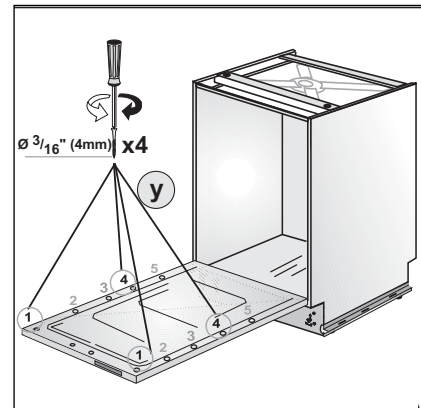
5. Ponga los dos soportes de montaje en la puerta de madera con 4 tornillos de $\text{Ø } 3,55 \text{ mm} \times 14 \text{ mm}$ ($\text{Ø } 1/8 \times 5/8$ pulg).



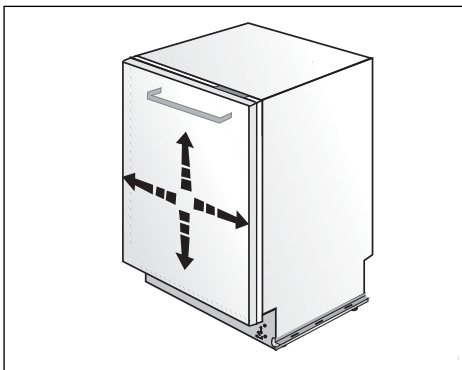
6. Monte la puerta de madera en la lavadora de vajilla con los soportes plásticos de montaje que ha colocado.



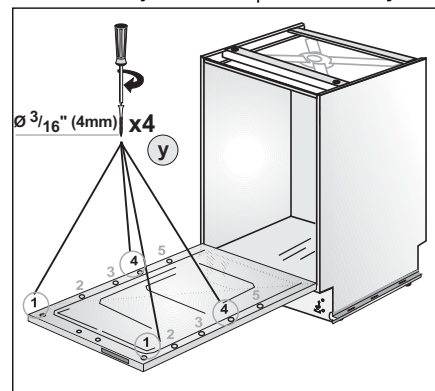
7. Abra la puerta y quite las dos tapas y dos tornillos dentro de la puerta en la posición 1 y la 4.



8. Usando los cuatro tornillos $\text{Ø } 4 \text{ mm} \times 43 \text{ mm}$ ($\text{Ø } 3/16 \times 1-11/16$ pulg) provistos, instale la puerta de madera en la lavadora de vajilla en la posición 1 y la 4.

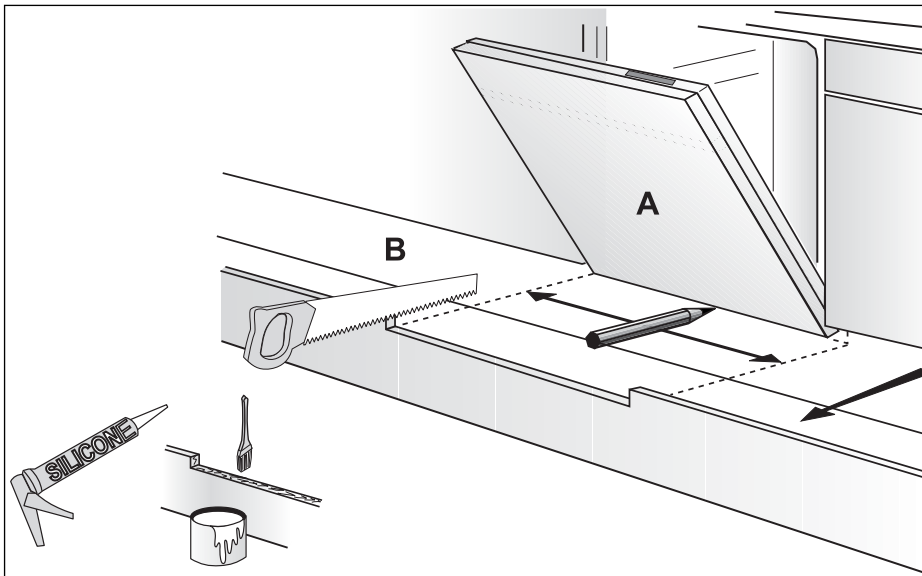


9. Revise la posición de la puerta de madera y revise que quede bien alineada

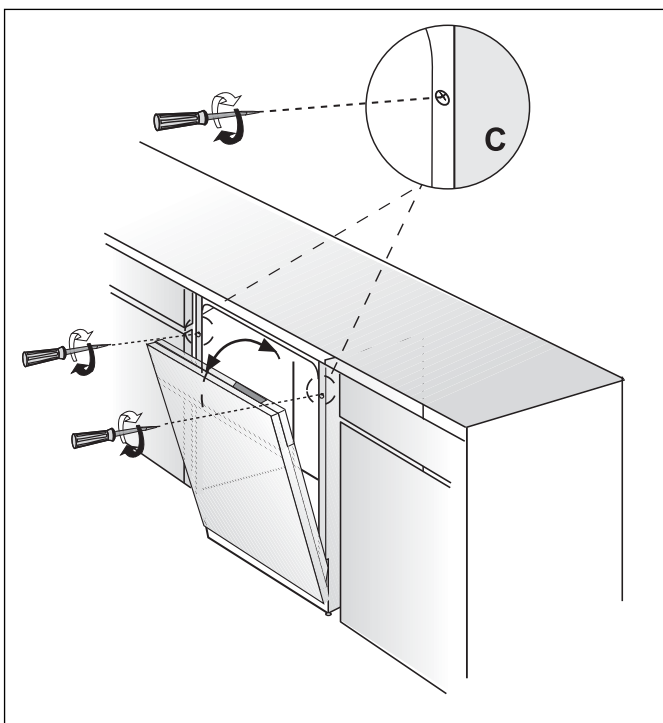


10. Apriete los tornillos en la posición 1 y la 4 completamente después de la alineación final.

Instalación



11. Revise si la parte inferior de la puerta golpea la placa inferior del mueble de la cocina (Figura **A**).
- 11.1. Si la puerta golpea la placa inferior, corte la sección que sea necesario eliminar de la placa inferior (Figura **B**).
- 11.2 Aplique silicona o sellador en el borde cortado del mueble de la cocina placa inferior o pinte para que no absorba humedad.



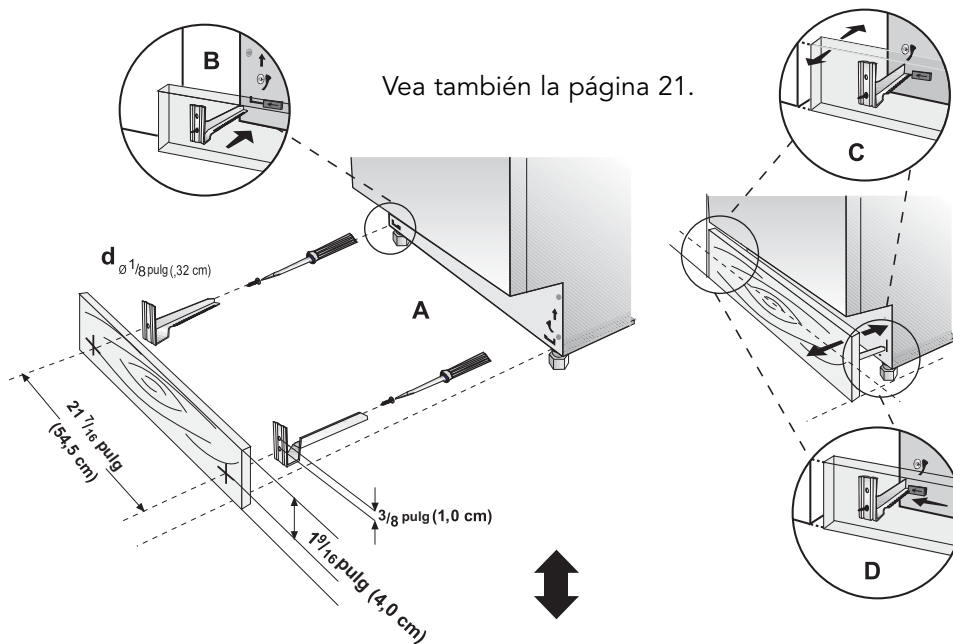
Ajustar la tensión de la puerta con Puerta de madera personalizada

- Revise la tensión de la puerta de la lavadora de vajilla; si se cierra la puerta demasiado rápido o si se queda abierta la puerta, debe ajustarse la tensión del resorte.
- Los tornillos de ajuste se pueden hallar en la parte delantera de la lavadora de vajilla después de abrir la puerta (vea el dibujo).
- Ajuste la tensión del resorte girando el tornillo a la derecha para más peso y a la izquierda para menos peso. (Figura **C**).

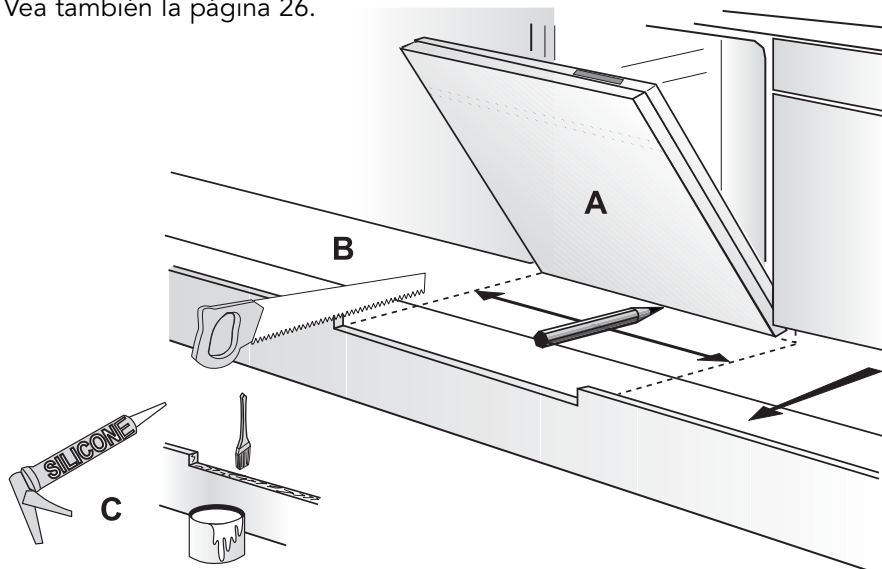
Instalación

⚠ NOTA

Si tiene una cocina europea o desea instalar una placa inferior de madera como el resto de la cocina, remítase a uno de los dos dibujos que aparecen más abajo. Siga las mismas instrucciones para los soportes que para la placa inferior removible. Se debe hacer la instalación siguiendo los pasos ilustrados en las Figuras A, B, C y D respectivamente.



Vea también la página 26.



⚠ NOTA

El instalador es responsable de la instalación de la lavadora de vajilla. La instalación incorrecta no está cubierta por la garantía.

Lista de verificación del instalador e instrucciones finales

El instalador debe haber terminado y revisado lo siguiente:

- La lavadora de vajilla está derecha y nivelada.
- La lavadora de vajilla está fijada firmemente al mueble.
- La puerta de la lavadora de vajilla se abre y cierra libremente. La puerta de la lavadora de vajilla debe cerrarse sin golpear muebles ni la superficie del mostrador.
- El suministro de agua de entrada está activado y se ha revisado si hay fugas.
- Se ha conectado la manguera de desagüe y revisado en busca de fugas. No debe haber dobleces ni obstrucciones en la manguera de desagüe.
- Debe instalarse la manguera de desagüe con un bucle o vuelta alta de 710 mm (28 pulg) para conexiones de desagüe sin eliminar aire.
- Si se conecta la lavadora de vajilla a un triturador de basura, debe quitarse el tapón la tolva de desagüe.
- Los brazos rociadores están sin obstrucciones y giran libremente.
- Se ha realizado el ciclo de enjuague.
- El nivel de agua estará bajo la malla de filtro después de terminar el programa de lavado. Es normal encontrar algo de agua en el área de filtro de desagüe.
- Ponga el ablandador de agua en la dureza de agua correcta para su área. Si se conecta el desagüe de la lavadora de vajilla a un triturador de restos, revise que se haya quitado el tapón de depósito o desagüe.

Instrucciones finales

- Presione el botón Encendido/Apagado (On/Off) para poner en marcha la lavadora de vajilla.
- Se enciende la luz indicadora de encendido.
- Use el botón Selección de programas (Program Select) para elegir un programa de lavado.
- Empiece el programa con el botón Inicio/Pausa/Cancelar (Start/Pause/Cancel).
- Haga pasar la lavadora de vajilla por un ciclo completo. Cuando termine el ciclo de lavado, use el botón Encendido/Apagado (On/Off) para apagar la lavadora de vajilla.

Consejos de auto-ayuda

No se enciende la pantalla:

- Confirme para estar seguro de que el disyuntor a la lavadora de vajilla esté en la posición encendida.
- Revise que esté enchufado el cable eléctrico.

No llega agua a la lavadora de vajilla:

- Confirme que esté abierto el paso de agua caliente.

No se drena el agua:

- Revise que la manguera de desagüe no esté doblada ni salga de un espacio de aire junto al fregadero.
- Retire la manguera de desagüe del triturador confirmando que se haya quitado el tapón.

Servicio y registro

Solo pueden usarse piezas de repuesto autorizadas al dar servicio al artefacto. No repare ni cambie ninguna pieza del artefacto a menos que se recomiende específicamente en el manual. Todo servicio debe remitirse a un técnico calificado.

Póngase en contacto con Viking Range, LLC, 1-888-845-4641, para localizar al distribuidor de piezas de servicio más cercano en su localidad o escríbanos a:

**VIKING RANGE, LLC
PREFERRED SERVICE
111 Front Street
Greenwood, Mississippi 38930 EE.UU.**

El número de serie y el número de modelo de la lavadora de vajilla se hallan en la placa de identificación montada en el lado derecho de la puerta interior.

Anote la siguiente información indicada a continuación. Va a necesitarla si alguna vez requiere servicio.

Número de modelo _____

Número de serie _____

Fecha de compra _____

Fecha de instalación _____

Nombre del concesionario _____

Dirección _____

Estas instrucciones de instalación deben permanecer con la lavadora de vajilla para referencia futura.

Viking Range, LLC
111 Front Street
Greenwood, Mississippi 38930 EE.UU.
(662) 455-1200

Para información del producto,
llame al 1-888-845-4641
o visite nuestro sitio web en los EE. UU. www.vikingrange.com o
en Canadá www.brigade.ca

