

NE59R6631SS

SAMSUNG

5.9 cu. ft. Freestanding Electric Range with True Convection



Signature Features

Flexible Cooktop

- Accommodates multiple pan sizes on 5 specialized elements, including a dual and triple ring element




True Convection

- Cook food faster and more evenly with a heated fan system that is great for baking and broiling

Rapid Boil™

- Offers intense heat and precise control – rapidly going from a low simmer to high heat for fast and even cooking

Available Colors

-  Stainless Steel (shown)
-  Fingerprint Resistant Black Stainless Steel
-  Fingerprint Resistant Tuscan Stainless Steel



True Convection



Rapid Boil™

Features

- Flexible Cooktop – Five Electric Elements
 - One Dual Element (6"/9")
 - One Triple Element (6"/9"/12")
 - Two Single Elements (6")
 - One Warming Center (7")
- Large Oven Capacity – 5.9 cu. ft.
- Rapid Boil™ (3300W Element)
- Touch Controls
- Wide View Window
- Hidden Bake Element
- Storage Drawer
- Flat Handle

Convenience

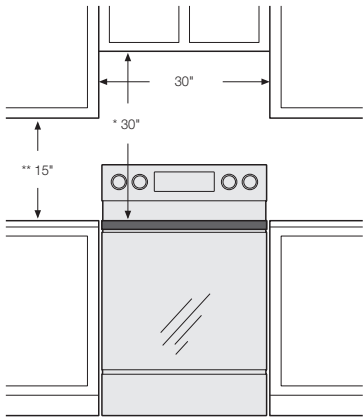
- Self & Steam Clean
- 3 Chrome Oven Racks
- Auto Oven Light
- Proofing
- Sabbath Mode
- Kitchen Timer
- Delay Start
- Auto Shut-Off Option
- Child Safety Lock

NE59R6631SS

SAMSUNG

5.9 cu. ft. Freestanding Electric Range with True Convection

Installation Specifications

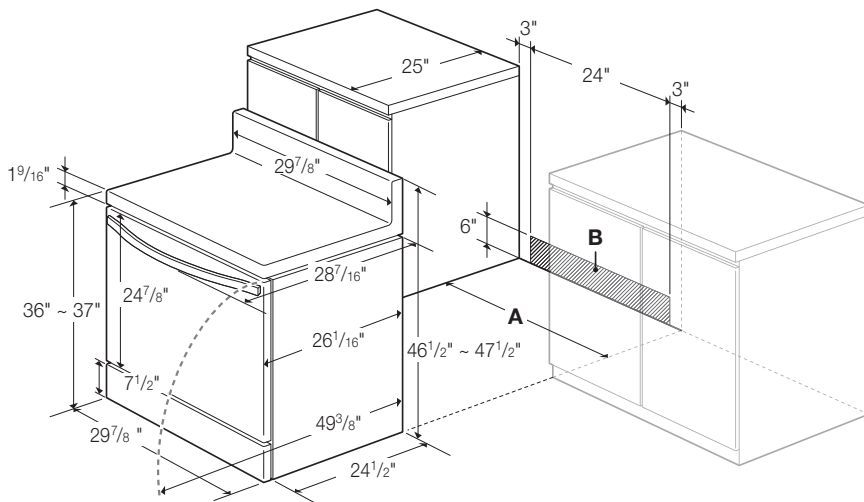


*30" minimum clearance between the top of the cooking surface and the bottom of an unprotected wood or metal cabinet; or 24" minimum when the bottom of the wood or metal cabinet is protected by not less than 1/4" of flame retardant millboard covered with not less than no.28 MSG sheet steel, 0.015" stainless steel, 0.024" aluminum, or 0.020" copper.

**15" minimum between the countertop and the adjacent cabinet bottom.

IMPORTANT: Consult with Installation Manual for detailed instructions before installing. All ranges must be installed with the Anti-Tip device that is included.

Freestanding Cutout



A: Cabinet opening min. 30"
B: Acceptable electrical outlet area

Power Source

240V/60 Hz/40A

Electric Ceramic Cooktop

- Right Front: 6"/9"/12" Triple Element, 3000W
- Left Front: 6"/9" Dual Element, 3300W
- Right Rear: 6" Element, 1200W
- Left Rear: 6" Element, 1200W
- Center Rear: 7" Warming Center

Oven

- Capacity: 5.9 cu. ft.
- Hidden Bake Element
- Bake: 175°F–550°F
- Convection Bake: 175°F–550°F
- Convection Roast: 175°F–550°F
- Variable Broil: Low/High
- Proofing
- Sabbath Mode

Storage Drawer

Capacity: 1.4 cu. ft.

Warranty

One (1) Year Parts and Labor

Product Dimensions & Weight (WxHxD)

Actual Oven Dimensions: 25" x 18¹⁵/₁₆" x 20³/₄"

Outside Net Dimensions: 29⁷/₈" x 46¹/₂"–47¹/₂" (adj.) x 28⁷/₁₆"

Weight: 162 lbs

Shipping Dimensions & Weight (WxHxD)

Dimensions: 33¹/₁₆" x 50⁵/₈" x 30⁵/₁₆"

Weight: 183 lbs

Color

Color	Model #	UPC Code
Stainless Steel	NE59R6631SS	887276315423
Fingerprint Resistant Black Stainless Steel	NE59R6631SG	887276315416
Fingerprint Resistant Tuscan Stainless Steel	NE59R6631ST	887276314013