



RANGE HOODS

SAFETY INFORMATION 2

WARRANTY..... 4

ASSISTANCE / ACCESSORIES... 22

USING THE HOOD

Controls 6

CARE AND CLEANING

Filters 6

Surfaces 7

Light 7

INSTALLATION INSTRUCTIONS.. 8

TROUBLESHOOTING TIPS..... 16

OWNER'S MANUAL & INSTALLATION INSTRUCTIONS

- JV247*-Vent & Recirculation options
- JV248*-Vent & Recirculation options
- JN327-Recirculation only
- JN328-Recirculation only
- JV338*-Vent options only
- JV347*-Vent & Recirculation options
- JV348*-Vent & Recirculation options
- JV367*-Vent & Recirculation options
- RN328-Recirculation only
- AV447*-Vent & Recirculation options



Write the model and serial numbers here:

Model # _____

Serial # _____

You can find them on a label on the back wall of the hood.

ESPAÑOL

Para consultar una version en español de este manual de instrucciones, visite nuestro sitio de internet GEAppliances.com.

IMPORTANT SAFETY INFORMATION. READ ALL INSTRUCTIONS BEFORE USING.

SAFETY PRECAUTIONS

⚠ WARNING TO REDUCE THE RISK OF FIRE, ELECTRIC SHOCK OR INJURY TO PERSONS, OBSERVE THE FOLLOWING:

- A. Use this unit only in the manner intended by the manufacturer. If you have questions, contact the manufacturer.
- B. Before servicing or cleaning unit, switch power off at service panel and lock the service disconnecting means to prevent power from being switched on accidentally. When the service disconnecting means cannot be locked, securely fasten a prominent warning device, such as a tag, to the service panel.
- C. Do not use this unit with any solid-state speed control device.
- D. This unit must be grounded.

⚠ CAUTION FOR GENERAL VENTILATING USE ONLY. DO NOT USE TO EXHAUST HAZARDOUS OR EXPLOSIVE MATERIALS AND VAPORS.

⚠ CAUTION TO REDUCE RISK OF FIRE AND TO PROPERLY EXHAUST AIR, BE SURE TO DUCT AIR OUTSIDE. DO NOT VENT EXHAUST AIR INTO SPACES WITHIN WALLS OR CEILINGS OR INTO ATTICS, CRAWL SPACES OR GARAGES.

⚠ WARNING TO REDUCE THE RISK OF INJURY TO PERSONS IN THE EVENT OF A RANGE TOP GREASE FIRE, OBSERVE THE FOLLOWING*:

- A. SMOTHER FLAMES with a close-fitting lid, cookie sheet or metal tray, then turn off the burner. BE CAREFUL TO PREVENT BURNS. If the flames do not go out immediately, EVACUATE AND CALL THE FIRE DEPARTMENT.
- B. NEVER PICK UP A FLAMING PAN—You may be burned.
- C. DO NOT USE WATER, including wet dishcloths or towels—a violent steam explosion will result.
- D. Use an extinguisher ONLY if:
 1. You know you have a Class ABC extinguisher, and you already know how to operate it.
 2. The fire is small and contained in the area where it started.
 3. The fire department is being called.
 4. You can fight the fire with your back to an exit.

*Based on “Kitchen Fire Safety” published by NFPA.

READ AND SAVE THESE INSTRUCTIONS

SAFETY PRECAUTIONS

⚠ WARNING TO REDUCE THE RISK OF A RANGE TOP GREASE FIRE:

- A. Never leave surface units unattended at high settings. Boilovers cause smoking and greasy spillovers may ignite. Heat oils slowly on low or medium settings.
- B. Always turn hood ON when cooking on high heat or when flambéing food (i.e. Crepes Suzette, Cherries Jubilee, Peppercorn Beef Flambé).
- C. Clean ventilating fans frequently. Grease should not be allowed to accumulate on fan or filter.
- D. Use proper pan size. Always use cookware appropriate for the size of the surface element.

⚠ WARNING TO REDUCE THE RISK OF FIRE, ELECTRIC SHOCK OR INJURY TO PERSONS, OBSERVE THE FOLLOWING:

- A. Installation work and electrical wiring must be done by qualified person(s) in accordance with all applicable codes and standards, including fire-rated construction.
- B. Sufficient air is needed for proper combustion and exhausting of gases through the flue (chimney) of fuel burning equipment to prevent back drafting. Follow the heating equipment manufacturer's guidelines and safety standards such as those published by the National Fire Protection Association (NFPA), the American Society for Heating, Refrigeration and Air Conditioning Engineers (ASHRAE) and the local code authorities.

- C. When cutting or drilling into wall or ceiling, do not damage electrical wiring and other hidden utilities.
- D. Ducted fans must always be vented to the outdoors.
- E. When applicable, install any makeup (replacement) air system in accordance with local building code requirements. Visit GEAppliances.com for available makeup air solutions.
- F. Turn off breaker to adjacent rooms while working.

⚠ WARNING TO REDUCE THE RISK OF FIRE, USE ONLY METAL DUCTWORK.

- Do not attempt to repair or replace any part of your hood unless it is specifically recommended in this manual. All other servicing should be referred to a qualified technician.

READ AND SAVE THESE INSTRUCTIONS

Thank You! ... for your purchase of a GE Appliances Brand appliance.

Register Your Appliance: Register your new appliance on-line at your convenience!

www.geappliances.com/service_and_support/register/

Timely product registration will allow for enhanced communication and prompt service under the terms of your warranty, should the need arise. You may also mail in the pre-printed registration card included in the packing material.

GE Appliances Warranty

GEAppliances.com

All warranty service is provided by our Factory Service Centers, or an authorized Customer Care® technician. To schedule service online, visit us at www.geappliances.com/service_and_support/, or call GE Appliances at 800.GE.CARES (800.432.2737). Please have your serial number and your model number available when calling for service.

Servicing your appliance may require the use of the onboard data port for diagnostics. This gives a GE Appliances factory service technician the ability to quickly diagnose any issues with your appliance and helps GE Appliances improve its products by providing GE Appliances with information on your appliance. If you do not want your appliance data to be sent to GE Appliances, please advise your technician not to submit the data to GE Appliances at the time of service.

For the period of	GE Appliances will replace
One year From the date of the original purchase	Any part of the cooking product which fails due to a defect in materials or workmanship. During this limited one-year warranty , GE Appliances will provide, free of charge , all labor and related service costs to replace the defective part.

What GE Appliances will not cover:

- Service trips to your home to teach you how to use the product.
- Improper installation, delivery or maintenance.
- Failure of the product if it is abused, misused, modified or used for other than the intended purpose or used commercially.
- Replacement of house fuses or resetting of circuit breakers.
- Damage to the product caused by accident, fire, floods or acts of God.
- Damage to finish, such as surface rust, tarnish, or small blemishes not reported within 48 hours of delivery.
- Incidental or consequential damage caused by possible defects with this appliance.
- Damage caused after delivery.
- Product not accessible to provide required service.
- Service to repair or replace light bulbs, except for LED lamps.

Staple your receipt here. Proof of the original purchase date is needed to obtain service under the warranty.

EXCLUSION OF IMPLIED WARRANTIES

Your sole and exclusive remedy is product repair as provided in this Limited Warranty. Any implied warranties, including the implied warranties of merchantability or fitness for a particular purpose, are limited to one year or the shortest period allowed by law.

This warranty is extended to the original purchaser and any succeeding owner for products purchased for home use within the USA. If the product is located in an area where service by a GE Appliances Authorized Servicer is not available, you may be responsible for a trip charge or you may be required to bring the product to an Authorized GE Appliances Service location for service. In Alaska, the warranty excludes the cost of shipping or service calls to your home. Some states do not allow the exclusion or limitation of incidental or consequential damages. This warranty gives you specific legal rights, and you may also have other rights which vary from state to state. To know what your legal rights are, consult your local or state consumer affairs office or your state's Attorney General.

Warrantor: GE Appliances

Extended Warranties: Purchase a GE Appliances extended warranty and learn about special discounts that are available while your warranty is still in effect. You can purchase it online anytime at

www.geappliances.com/service_and_support/shop-for-extended-service-plans.htm

or call 800.626.2224 during normal business hours. GE Appliances Service will still be there after your warranty expires.

Have a question or need assistance with your appliance?

Try the GE Appliances Website (www.geappliances.com/service_and_support/) 24 hours a day, any day of the year! For greater convenience and faster service, you can now download Owner's Manuals, order parts or even schedule service on-line.

Schedule Service: Expert GE Appliances repair service is only one step away from your door. Get on-line and schedule your service at www.geappliances.com/service_and_support/ or call GE Appliances at 800.GE.CARES (800.432.2737) during normal business hours.

Parts and Accessories: Individuals qualified to service their own appliances can have parts or accessories sent directly to their homes (VISA, MasterCard and Discover cards are accepted). Order on-line today, 24 hours every day or by phone at 800.626.2002 during normal business hours.

Instructions contained in this manual cover procedures to be performed by any user. Other servicing generally should be referred to qualified service personnel. Caution must be exercised, since improper servicing may cause unsafe operation.

Real Life Design Studio: GE Appliances supports the Universal Design concept of products, services and environments that can be used by people of all ages, sizes and capabilities. We recognize the need to design for a wide range of physical and mental abilities and impairments. For details of GE Appliances' Universal Design applications, including kitchen design ideas for people with disabilities, check out our Website today. For the hearing impaired, please call 800.TDD.GEAC (800.833.4322).

Contact Us: If you are not satisfied with the service you receive from GE Appliances, contact us on our Website with all the details including your phone number, or write to:

General Manager, Customer Relations
GE Appliances, Appliance Park Louisville, KY 40225

Accessories

Looking For Something More?

GE Appliances offers a variety of accessories to improve your cooking and maintenance experiences!

To place an order visit us online at:

www.GEApplianceParts.com

or call **800.626.2002**

The following products and more are available:

Parts

Charcoal Filter

WB02X10700

How to Remove Protective Shipping Film and Packaging Tape

Carefully grasp a corner of the protective shipping film with your fingers and slowly peel it from the appliance surface. Do not use any sharp items to remove the film. Remove all of the film before using the appliance for the first time.

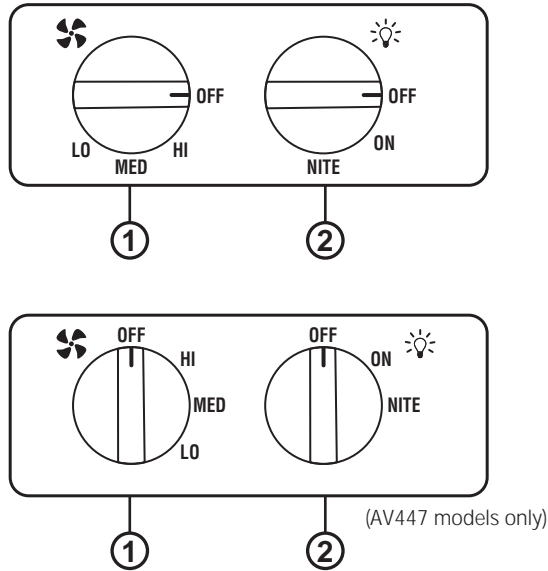
To assure no damage is done to the finish of the product, the safest way to remove the adhesive from packaging tape on new appliances is an application of a household liquid dishwashing detergent. Apply with a soft cloth and allow to soak.

NOTE: The adhesive must be removed from all parts.

Controls

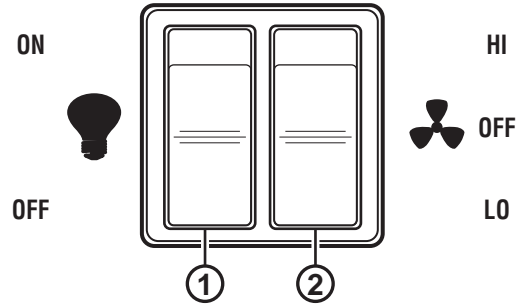
Throughout this manual, features and appearance may vary from your model.

Control Knobs (on some models)



- FAN Control:** Turn to **HI**, **MED** or **LO** as needed. Continuous use of the fan system while cooking helps keep the kitchen comfortable and less humid. It also reduces cooking odors and soiling moisture that create a frequent need for cleaning.
- LIGHT Control:** Turn to **ON** while cooking or to **NITE** for use as a night light.

Switch Pad Controls (on some models)



- LIGHT Control:** Press the pad at the top to turn the light ON.
- Fan Settings Buttons:** Press the pad at the top to turn the fan on **HI** and at the bottom to turn it on **LO**. The center position is **OFF**. Continuous use of the fan system while cooking helps keep the kitchen comfortable and less humid. It also reduces cooking odors and soiling moisture that create a frequent need for cleaning.

Filters

Be sure electrical power is off and all surfaces are cool before cleaning or servicing any part of the vent hood.

Reusable Metal Grease Filter—Ducted Installations Only

The efficiency of your hood depends on a clean filter. Frequency of cleaning depends on hood use and the type of cooking you do. However, the grease filter should be cleaned at least once a month.

To remove:

Pull down on the center of the front edge of the filter. The filter will then slip out of the retaining tabs on the back.

To replace:

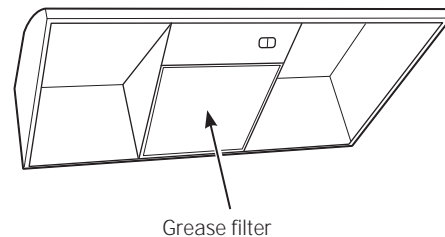
Slip the back edge of the filter into the retaining tabs and push the front edge up until it snaps into place.

To clean:

Soak and then agitate it in a hot water and detergent solution. Light brushing can be used to remove embedded dirt. Rinse, shake and let it dry before replacing.

NEVER OPERATE THE HOOD WITHOUT THE FILTER IN PLACE.

With careful handling, the metal filter will last for years. If a new replacement filter becomes necessary, order the part from your dealer. Order genuine GE Appliances part number **WB02X8391**.



Filters (Cont.)

Charcoal Filter—Recirculating Installations Only

The charcoal filter cannot be cleaned. It must be replaced. Order filter no. **WB02X10700**. Replacement filters can be ordered from your GE Appliances supplier.

If the hood is not vented to the outside, the air will be recirculated through a disposable charcoal filter that helps remove smoke and odors.

The charcoal filter should be replaced after 6 to 12 months (depending on hood usage).

To remove:

Pull down on the center of the front edge of the filter. The filter will then slip out of the retaining tabs on the back.

To replace:

Slip the back edge of the filter into the retaining tabs and push the front edge up until it snaps into place.



Replaceable charcoal filter

NOTE: DO NOT rinse, or put charcoal filters in an automatic dishwasher.

Surfaces

Stainless Steel Surfaces (on some models)

Do not use a steel-wool pad; it will scratch the surface.

To clean the stainless steel surface, use warm sudsy water or a stainless steel cleaner or polish. Always wipe the surface in the direction of the grain. Follow the cleaner instructions for cleaning the stainless steel surface.

To inquire about purchasing stainless steel appliance cleaner or polish, or to find the location of a dealer nearest you, please call our toll-free number:

National Parts Center
800.626.2002
GEApplianceParts.com

Painted Surfaces (on some models)

Do not use steel-wool pads or other abrasive cleaners. They will scratch the surface.

Clean grease-laden surfaces of the hood frequently. To clean the hood surface, use a hot, damp cloth with a mild detergent suitable for painted surfaces. About one tablespoon of ammonia may be added to the water. Use a clean, hot, damp cloth to remove soap. Dry with a dry, clean cloth.

NOTE: When cleaning, take care not to come in contact with filters and other non-enameled surfaces.



CAUTION When cleaning the hood surfaces, be certain that you do not touch the light bulb with moist hands or cloth. A warm or hot light bulb may break if touched with a moist surface. Always let the light bulb cool completely before cleaning around it.

Light

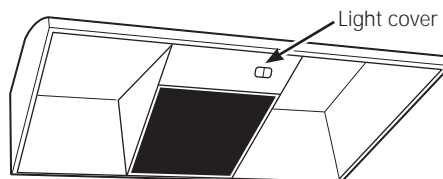
CAUTION Let the light bulb cool completely before removing. A warm or hot bulb may break if touched with a moist cloth or hand.

Remove the bulb and replace it with a type A15 incandescent light bulb with an ordinary screw base, not more than 60 Watts, or a type A17 or T2 Compact Fluorescent (CFL) light bulb with an ordinary screw base, not more than 13 Watts. **NOTE:** Use only incandescent bulbs in models RN328, JN327, JN328 and JV338.

IMPORTANT: For installation, handling and disposal precautions, refer to the fluorescent bulb packaging literature.

To remove the light cover (on some models):

- Press the sides with two fingers until the side prongs are released.
- Lift the light cover and slide it toward you in one motion.



To replace the light cover:

- Insert the prong located at the end of the cover into the top opening.
- Gently push the cover up and press the sides to fit the side prongs into the side openings.
- Release and the cover will lock in position.

When using an energy saving bulb in your GE Appliances hood make sure you use either:



GE Long Life Energy Smart™ Spiral® T2
 Product Code: 85383
 Description: FLE13HT2/2/SW/CD

or



GE Long Life Energy Smart™ A17
 Product Code: 47486
 Description: FLE11/2/A17XL/CD
 Available at www.gelighting.com

Installation Instructions

Range Hood

? “If you have questions, call GE Appliances at 800.GE.CARES (800.432.2737) or visit our website at: GEAppliances.com”

BEFORE YOU BEGIN

Read these instructions completely and carefully.

- **IMPORTANT** — Save these instructions for local inspector’s use.
- **IMPORTANT** — Observe all governing codes and ordinances.
- **Note to Installer** – Be sure to leave these instructions with the Consumer.
- **Note to Consumer** – Keep these instructions for future reference.
- **Skill level** – Installation of this vent hood requires basic mechanical and electrical skills.
- Proper installation is the responsibility of the installer.
- Product failure due to improper installation is not covered under the Warranty.

FOR YOUR SAFETY:

⚠ WARNING Before beginning the installation, switch power off at service panel and lock the service disconnecting means to prevent power from being switched on accidentally. When the service disconnecting means cannot be locked, securely fasten a prominent warning device, such as a tag, to the service panel.

OPTIONAL POWER CORD KIT JXHC1

An optional Power Cord Connection Kit, model JXHC1, is available at extra cost from your GE Appliances supplier for installation using a standard 3-prong, grounded wall outlet. Follow the Installation Instructions packed with the kit to connect the power cord to the range hood.

DUCTWORK REQUIREMENTS

NOTE: Read the ductwork sections only if you do not have existing ductwork. If you have existing ductwork, skip to the “Damage” section and proceed.

⚠ WARNING **TO REDUCE THE RISK OF FIRE AND TO PROPERLY EXHAUST AIR, BE SURE TO DUCT AIR OUTSIDE—DO NOT VENT EXHAUST AIR INTO SPACES WITHIN WALLS OR CEILINGS OR INTO ATTICS, CRAWL SPACES OR GARAGES.**

The venting system must exhaust to the outside. This hood can be vented vertically through upper cabinets or horizontally through an outside wall. Ductwork is not included.

Exhaust connection:

The hood exhaust has been designed to mate with standard 3¼" x 10" rectangular ducting or 7" diameter round ducting.

If a 6" round duct is required, a rectangular-to-round transition adaptor must be used*. Do not use less than a 6" diameter duct.

Duct length:

It is important that ducting be installed using the most direct route and with as few elbows as possible. This ensures clear venting of exhaust and helps prevent blockages. Also, make sure dampers swing freely and nothing is blocking the ducts. When applicable, install any makeup (replacement) air system in accordance with local building code requirements. Visit GEAppliances.com for available makeup air solutions.

- Plan the route for venting exhaust to the outdoors. To maximize the ventilation performance of the vent system:
 1. Minimize the duct run length and number of transitions and elbows.
 2. Maintain a constant duct size.
 3. Seal all joints with duct tape to prevent any leaks.
 4. Do not use any type of flexible ducting.
- Install a wall cap or roof cap with damper at the exterior opening. Purchase the wall or roof cap and any transition and length of duct needed in advance.



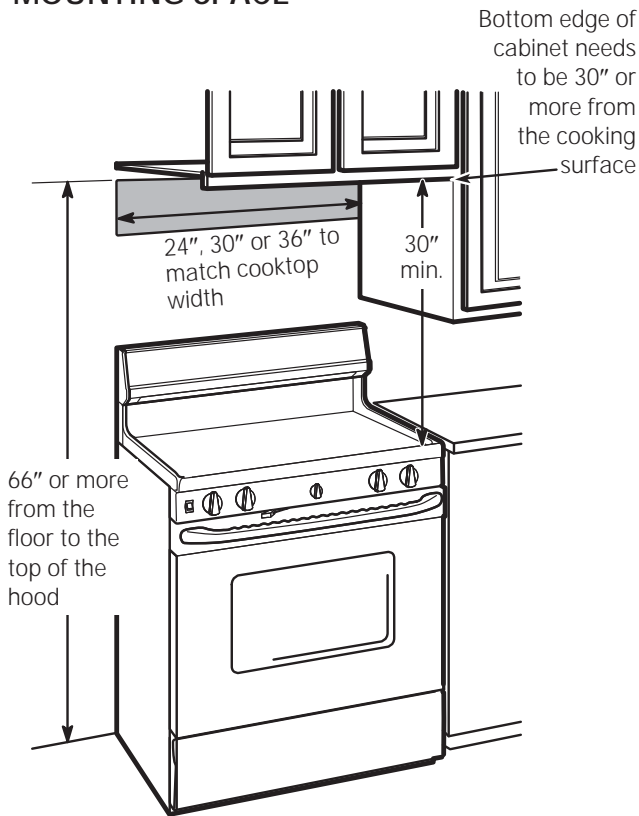
* **IMPORTANT:** If a rectangular-to-round transition adaptor is used, the bottom corners of the damper will have to be cut to fit, using the tin snips, in order to allow free movement of the damper. Equivalent lengths of duct pieces are based on actual tests and reflect requirements for good venting performance with any hood.

Installation Instructions

DAMAGE – SHIPMENT/INSTALLATION

- If the unit is damaged in shipment, return the unit to the store in which it was bought for repair or replacement.
- If the unit is damaged by the customer, repair or replacement is the responsibility of the customer.
- If the unit is damaged by the installer (if other than the customer), repair or replacement must be made by arrangement between customer and installer.

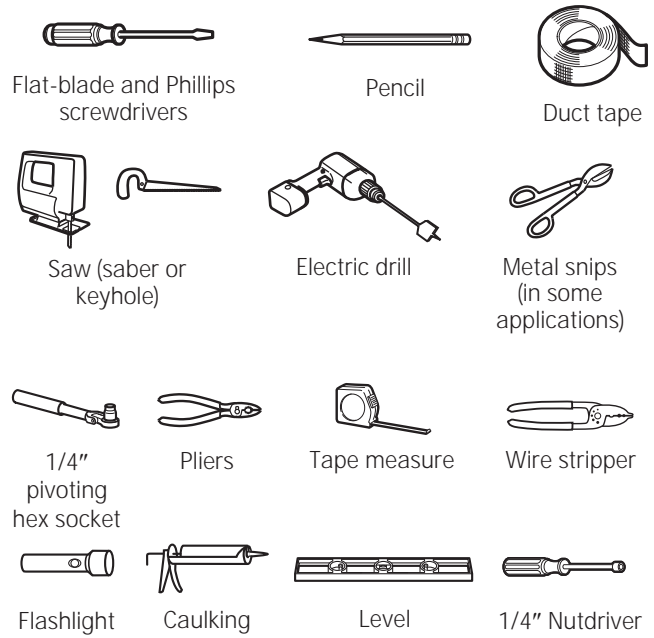
MOUNTING SPACE







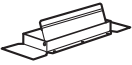

NOTES:

- Hood width may be greater than the width of the range or cooktop, but it may not be smaller.
- Ensure the range or cooktop is installed per manufacturer's installation instructions.
- If you are going to vent your range hood to the outside, see the "Ducting Requirements" section for exhaust duct preparation.
- The hoods are designed to fit 12" deep cabinets. When installed onto 15" deep cabinets, a filler panel accessory is available: Order **JXS50SS** for 30" wide hoods or **JXS56SS** for 36" wide hoods.

TOOLS YOU WILL NEED



PARTS INCLUDED

PART	QUANTITY
 Grease Filter only (JV338)	1
 Charcoal Filter only (JN327, JN328 and RN328)	1
 Grease Filter and Charcoal Filter (JV24X, JV347, JV348, JV367 and AV447)	2
 Mounting Screws (8 - 18" x 3/4" Phillips pan head)	4
 Exhaust Adaptor (for 3 1/4" x 10" rect. venting)	1
 Exhaust Adaptor Screw (8 - 18" x 3/8" Phillips pan head or hex head)	1

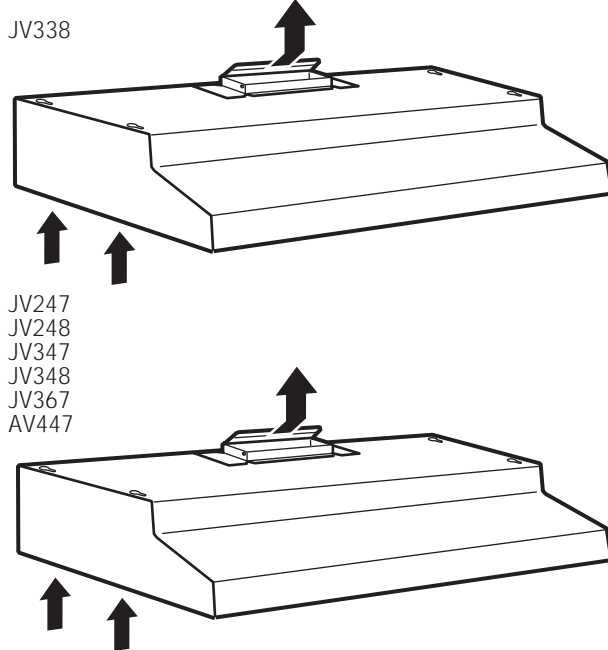
Installation Instructions

1 CHOOSE VENT OPTION

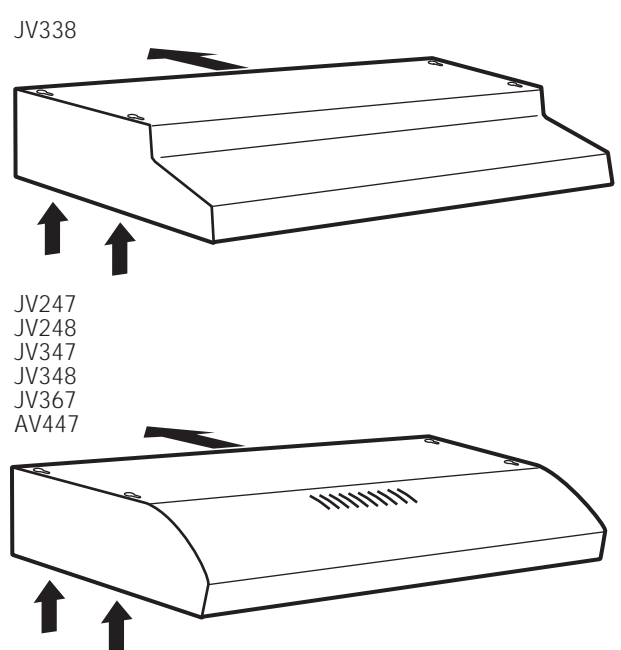
Determine the vent option that your installation will require and that is available for your model from the below choices.

IMPORTANT: If the hood is to be installed in a recirculating, non-vented, ductless manner, do not knock out any vent openings in the hood. Only an electrical access hole will be knocked out of the hood.

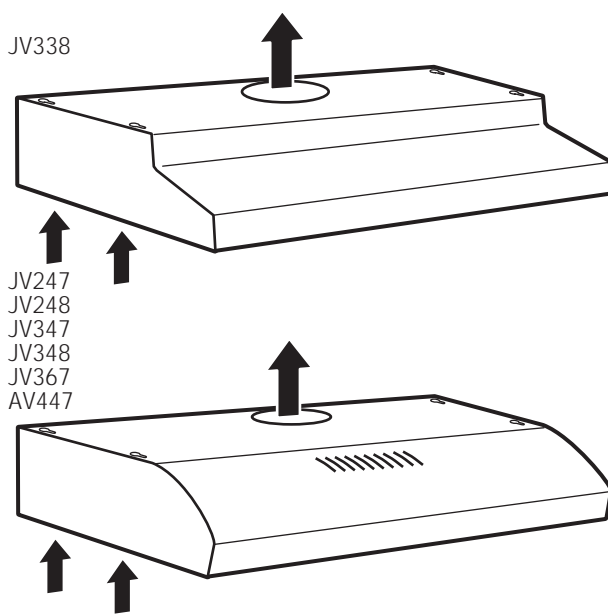
A Outside top exhaust (Vertical duct-3-1/4" x 10" Rectangular)



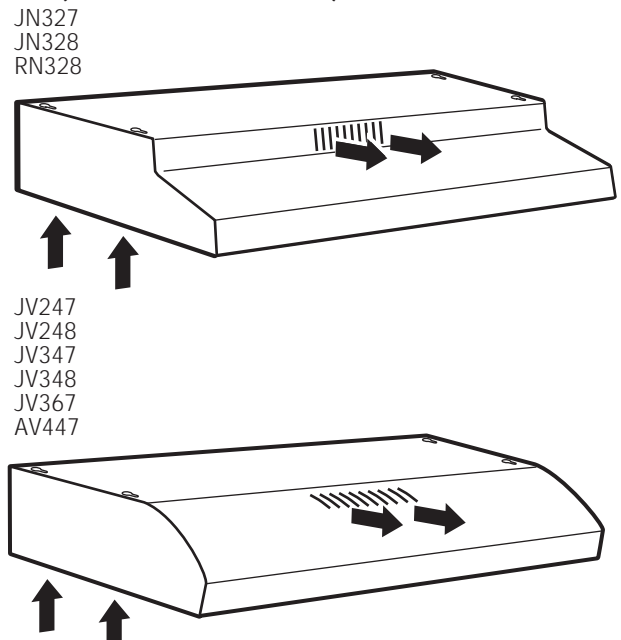
C Outside rear exhaust (Horizontal duct-3-1/4" x 10" Rectangular)



B Outside top exhaust (Vertical duct-7" Round)



D Recirculating (non-vented/ductless)

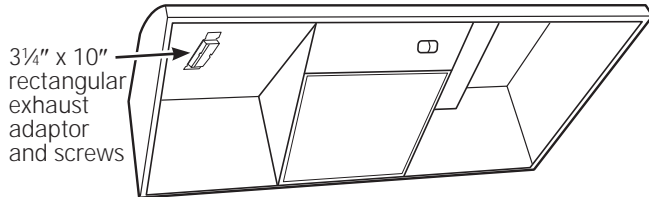


Installation Instructions

2 REMOVE EXHAUST ADAPTOR

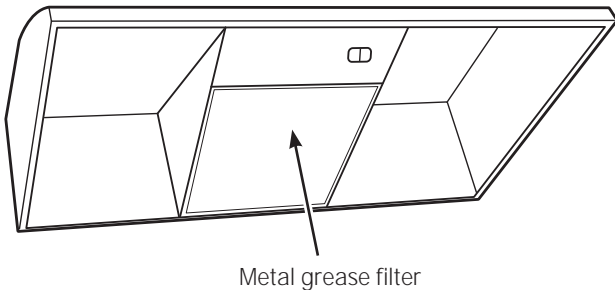
If exhausting/venting using the 3 1/4" x 10" rectangular duct—optional for JV247, JV248, JV338, JV347, JV348, JV367 and AV447 models only:

Remove the exhaust adaptor from the inside of the hood. Set it aside along with its mounting screws.



3 REMOVE FILTER

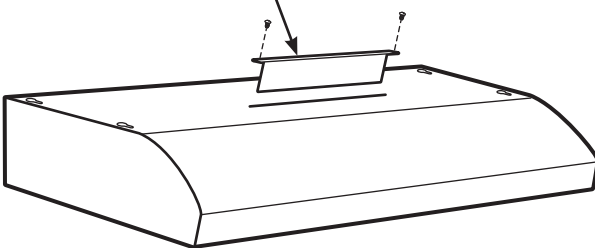
Remove the shipping tape holding the **metal grease filter** in place. Pull down on the center of the front edge of the filter. The filter will then slip out of the retaining tabs on the back.



4 REVERSE THE BAFFLE FOR DUCTED INSTALLATIONS ONLY (JV247, JV248, JV347, JV348, JV367 and AV447 models)

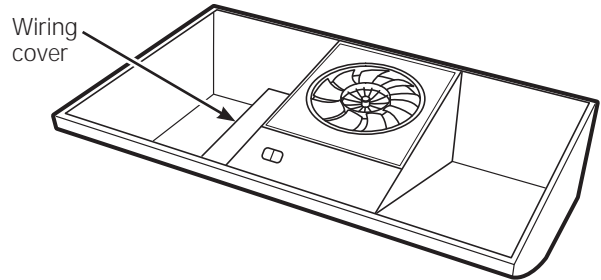
If the hood is to be recirculated, skip to the next step. Remove the baffle from the top of the hood. Reinstall the baffle so the short side marked "VENTED" is visible. The long side of the baffle should be inside the hood.

"VENTED" is visible



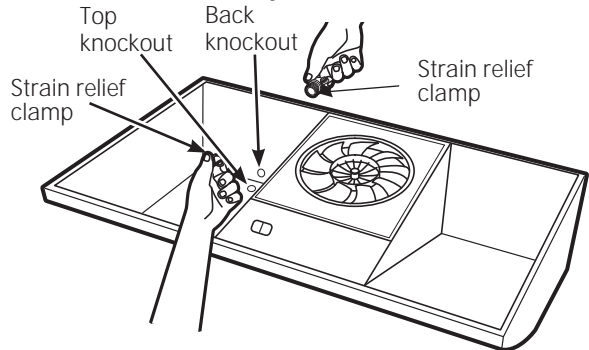
5 REMOVE WIRING COVER

Remove the **wiring cover** from inside the hood. Set the cover and its mounting screws aside.



6 REMOVE WIRING KNOCKOUT

Remove either the top or the back wiring knockout as needed and install an approved **strain relief clamp**.

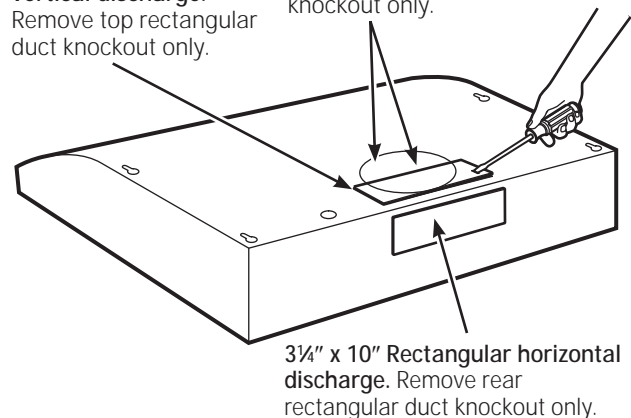


7 REMOVE DUCT KNOCKOUT

If **recirculating**, non-vented ductless (JN327, JN328 and RN328, and optional for JV247, JV248, JV347, JV348, JV367 and AV447 models only), **skip to Step 11 D and proceed**. Using a flat-blade screwdriver, remove the appropriate **duct knockout** from the top or back of the hood.

3 1/4" x 10" Rectangular vertical discharge. Remove top rectangular duct knockout only.

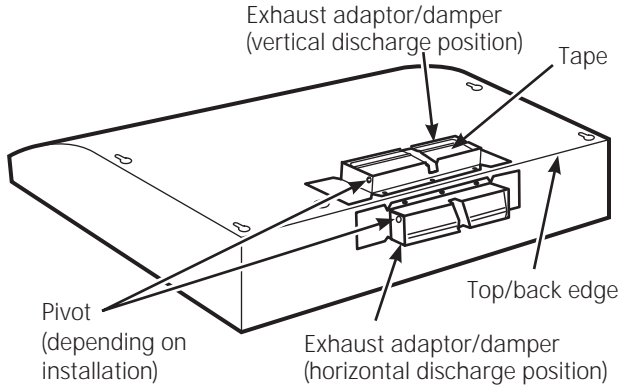
7" Round vertical discharge. Remove circular duct knockout only.



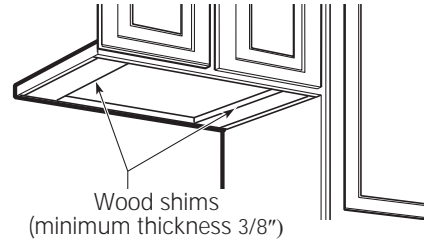
Installation Instructions

8 FOR 3-1-4" X 10" RECTANGULAR DUCTED DISCHARGE INSTALLATIONS ONLY:

Attach **exhaust adaptor/damper** over the appropriate knockout opening (for vertical or horizontal, depending on installation) with two exhaust adaptor screws. Make sure damper **pivot** is nearest to **top/back edge** of hood. Remove **tape** from damper flap.



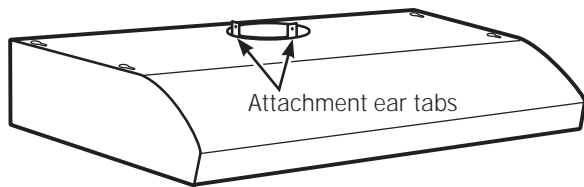
10 FOR RECESSED-BOTTOM CABINETS ONLY



If the cabinets have front, side or back trim, make 2 wood shims a minimum of 3/8" thick and cut to fit the width of the inner recessed cabinet bottom. Attach them to the cabinet bottom recess on both sides. See Step 11 for marking locations.

9 FOR 7" ROUND VERTICAL DUCTED DISCHARGE INSTALLATIONS ONLY:

Bend up the duct alignment ears in preparation for later attachment of the 7" duct.



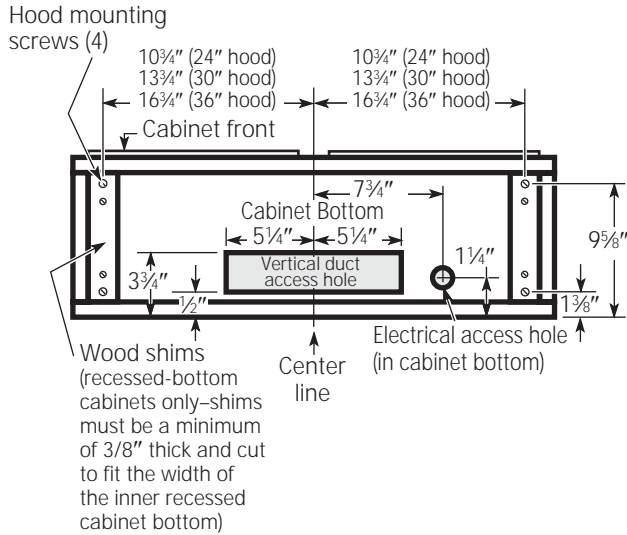
Installation Instructions

11 MARK HOLES

Select the vent option that your installation will require and proceed to that section:

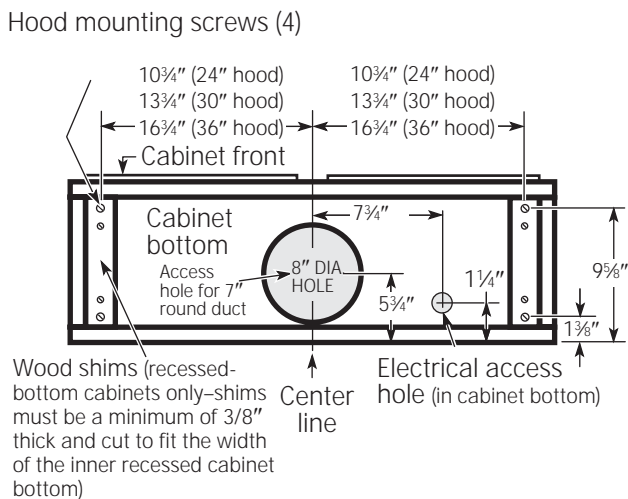
A Outside top exhaust (Vertical duct-3-1/4" x 10" Rectangular)

Use the diagram or the hood as a template and mark the locations on the cabinet for ductwork, electrical wiring and keyhole screw slots.



B Outside top exhaust (Vertical duct-7" Round)

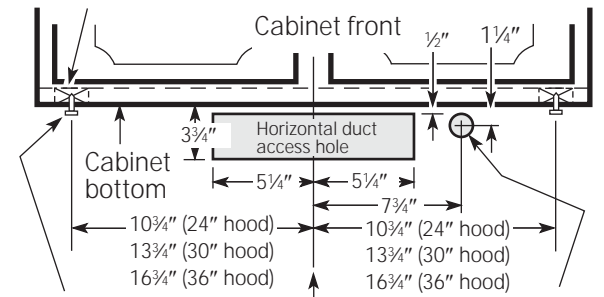
Use the diagram or the hood as a template and mark the locations on the cabinet for ductwork, electrical wiring and keyhole screw slots.



C Outside rear exhaust (Horizontal duct-3-1/4" x 10" Rectangular)

Use the diagram or the hood as a template and mark the locations on the cabinet for ductwork, electrical wiring and keyhole screw slots.

Wood shims
(recessed-bottom cabinets only-shims must be a minimum of 3/8" thick and cut to fit the width of the inner recessed cabinet bottom)



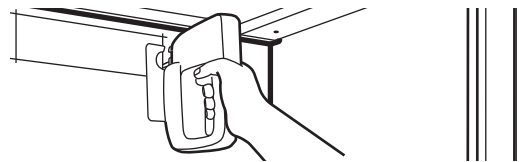
Hood mounting screws (4) Center line Electrical access hole (in wall)

D Recirculating (non-vented ductless- JN327, JN328 and RN328, and optional on JV247, JV248, JV347, JV348, JV367 and AV447 models only)

- Use the hood as a template and mark the locations on the cabinet for the electrical wiring and keyhole screw slots.
- Since the hood is to be recirculated (not to be vented outside), do not cut out any vent openings in the wall or cabinet bottom.

12 CUT HOLES

Cut holes at marked locations for duct and electrical wiring. For the vertical duct, cut out 3/4" extra toward the front of the cabinet so you can move the duct freely when installing the hood. It may also ease installation by cutting the hole 10 1/2" instead of 10".



13 RUN WIRES

Run the electrical wires through the wall or cabinet according to National Electrical Code and applicable local codes.

NOTE: DO NOT turn the power on until installation is complete.

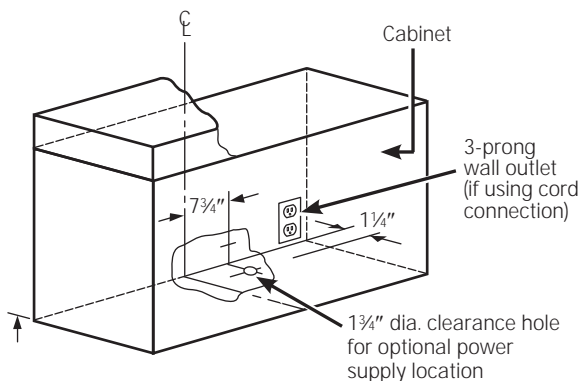
Installation Instructions

14 SCREW IN PART WAY

Drive a mounting screw (from the hardware packet) part way into each center of the narrow neck of the keyhole slots marked on the cabinet bottom.

15 OPTIONAL POWER CORD KIT JXHC1

An optional Power Cord Connection Kit, model JXHC1, is available at extra cost from your GE Appliances supplier for installation using a standard 3-prong, grounded wall outlet. Follow the Installation Instructions packed with the kit to connect the power cord to the range hood.



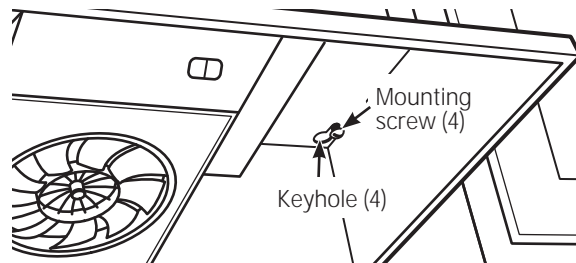
NOTE: If using optional Power Cord Kit JXHC1, feed the power cord through the hole in the top cabinet while raising the hood. Loop any excess length of cord and tie away with a suitable tape or tie.

16 FEED IN WIRES

Lift the hood into position and feed the house wiring through the wiring knockout.

17 SECURE HOOD

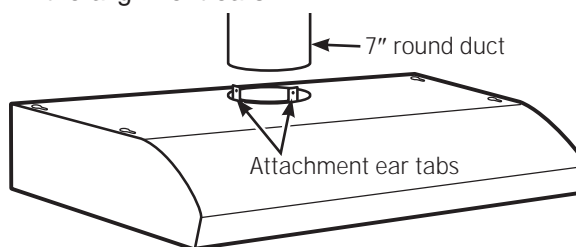
Slide the hood back against the wall. Tighten the mounting screws. Be sure the screw heads are in the narrow neck of the keyhole slot.



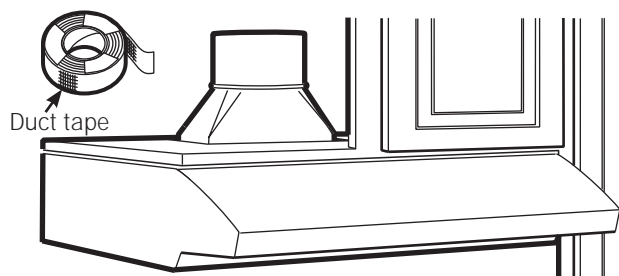
NOTE: DO NOT PUSH ON THE FAN BLADE. Pushing on the blade may cause it to interfere with other hood parts.

17 CONNECT DUCTWORK TO HOOD (Ducted installations only)

On 7" round installations, attach the 7" duct with sheet metal screws through the holes in the alignment ears.



Use duct tape to make joints secure and airtight.

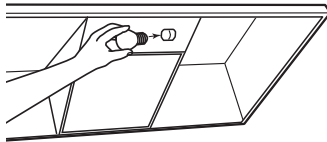


Installation Instructions

19 INSTALL LIGHT BULB

NOTE: A light bulb is not shipped with the hood. Obtain one locally. Purchase and install a type **A15** incandescent light bulb with an ordinary screw base, not more than 60 Watts, or a type **A17** or **T2** Compact Fluorescent (CFL) light bulb with an ordinary screw base, **not more than 13 Watts**. **NOTE:** Use only incandescent bulbs in models RN328, JN327, JN328 and JV338.

IMPORTANT: For installation, handling and disposal precautions, refer to the fluorescent bulb packaging literature.



When using an energy saving bulb in your GE Appliances hood, make sure you use either:



GE Long Life Energy Smart™ Spiral® T2
Product Code: 85383
Description: FLE13HT2/2/SW/CD

or



GE Long Life Energy Smart™ A17
Product Code: 47486
Description: FLE11/2/A17XL/CD

Available at
www.gelighting.com

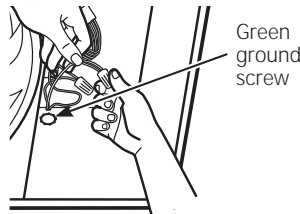
20 FOLLOW ELECTRICAL CODE

Complete the electrical wiring according to National Electrical Code and local codes.

NOTE: This hood must be permanently grounded. Connect house wiring (120 VAC) to hood wiring.

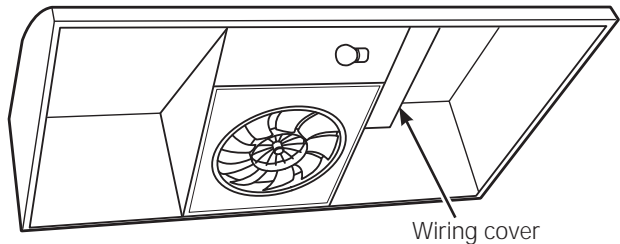
21 CONNECT WIRING

Connect house black to hood black wire, house white to hood white wire and house ground under green ground screw. Securely tighten the strain relief clamp onto the house wiring.



⚠ WARNING IMPROPER CONNECTION OF ALUMINUM HOUSE WIRING TO THESE COPPER LEADS CAN RESULT IN A SERIOUS PROBLEM. USE ONLY CONNECTORS DESIGNED FOR JOINING COPPER TO ALUMINUM AND FOLLOW THE MANUFACTURER'S RECOMMENDED PROCEDURE CLOSELY.

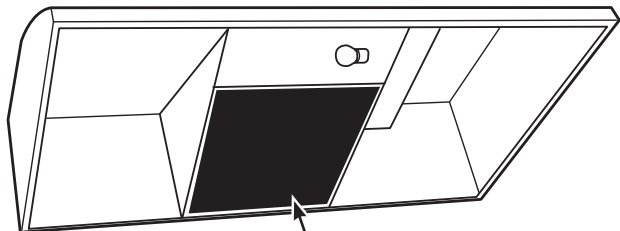
22 REPLACE WIRING COVER



Wiring cover

23 REPLACE FILTER

Make sure fan blade turns freely and replace the filter. **NOTE:** Install the metal grease filter if ducted or the charcoal filter if recirculated.



Metal grease filter or charcoal filter

The installation is complete. Turn on power at service panel, and test for proper operation.

TROUBLESHOOTING CHECKLIST

If the hood seems to be operating at high speed when the control is not set on high, or if ventilation seems inadequate, check the following:

- Knockouts not removed from hood.
- Damper blade not opening.
- Reduced airflow because the duct is too small or the duct length is too long.
- The duct is blocked.
- Undersized or restrictive wall or roof cap.

If the hood seems to make excessive noise:

- Fan may be hitting the filter. Turn off the fan and remove the filter. Bend the filter down slightly in the center (into a dome shape) to allow fan clearance. Reinstall and adjust as needed.

The fan does not work but the lights do:

- Switch power off at the service panel and lock the service disconnecting means to prevent power from being switched on accidentally. When the service disconnecting means cannot be locked, securely fasten a prominent warning device, such as a tag, to the service panel.
- Check the wiring connections. See the CONNECT WIRING section in these Installation Instructions.

Troubleshooting tips ... Before you call for service

Save time and money! Review the charts on the following pages first and you may not need to call for service.

Problem	Possible Cause	What To Do
Fan/Light does not operate	A house fuse may be blown or a circuit breaker tripped.	Replace fuse or reset circuit breaker.
Loud or abnormal airflow noise	Wrong duct size used in installation.	Using smaller duct pipe will cause reduced venting. Minimize the duct run length and number of transitions and elbows. GE Appliances service technicians cannot correct this issue if installed improperly.
Fan fails to circulate air or moves air slower than normal and/or fan is making loud or abnormal airflow noise	Obstructions in duct work.	Make sure nothing is blocking the vent. Make sure your wall or roof cap has a blade or door.
	Damper blade on wall or roof cap may not be open.	Make sure damper swings freely. Damper blades may flip over and will not fully open when this happens. Adjust to original position.
	Metal grease filter and charcoal filter (if present) may be dirty.	Clean the metal grease filter and replace charcoal filter (if present). See Care and Cleaning of the Vent Hood.
	Insufficient makeup (replacement) air	Sufficient makeup (replacement) air is required for exhausting appliances to operate to rating. Check with local building codes, which may require or strongly advise the use of makeup air. Visit GEAppliances.com for available makeup air solutions.
Early light failure	Light wattage is too high.	Replace with correct wattage.



CAMPANAS PARA COCINAS

INFORMACIÓN DE SEGURIDAD2

GARANTÍA4

ASISTENCIA / ACCESORIOS.....5

USO DE LA CAMPANA

Controles6

CUIDADO Y LIMPIEZA

Filtros6

Superficies7

Luz7

**INSTRUCCIONES
DE INSTALACIÓN**8

**CONSEJOS PARA LA SOLUCIÓN
DE PROBLEMAS**16

MANUAL DEL PROPIETARIO E INSTALACIÓN

- JV247*–Opciones de Ventilación y Recirculación
- JV248*–Opciones de Ventilación y Recirculación
- JN327–Sólo recirculación
- JN328–Sólo recirculación
- JV338*–Sólo opciones de ventilación
- JV347*–Opciones de Ventilación y Recirculación
- JV348*–Opciones de Ventilación y Recirculación
- JV367*–Opciones de Ventilación y Recirculación
- RN328–Sólo recirculación
- AV447*–Opciones de Ventilación y Recirculación



Escriba los números de modelo y de serie aquí:

Nº de Modelo _____

Nº de Serie _____

Los puede encontrar en una etiqueta en la pared trasera de la campana.

INFORMACIÓN IMPORTANTE DE SEGURIDAD LEA TODAS LAS INSTRUCCIONES ANTES DE USAR

SAFETY PRECAUTIONS

⚠ ADVERTENCIA PARA REDUCIR EL RIESGO DE INCENDIO, DESCARGA ELÉCTRICA O LESIONES A PERSONAS, CUMPLA CON LOS SIGUIENTES PUNTOS:

- A. Utilice esta unidad sólo de la manera concebida por el fabricante. Si tiene alguna pregunta, comuníquese con el fabricante.
- B. Antes de realizar reparaciones o limpiar la unidad, desconecte la energía del panel de servicio y bloquee los medios de desconexión para evitar el accionamiento de la energía de manera accidental. Cuando los medios de desconexión de servicio no pueden bloquearse, coloque sobre el panel de servicio un dispositivo de advertencia bien visible, como una etiqueta.
- C. No utilice esta unidad con ningún dispositivo de control de velocidad de estado sólido.
- D. Esta unidad debe estar conectada a tierra.

⚠ PRECAUCIÓN SÓLO PARA USO DE VENTILACIÓN GENERAL. NO LO UTILICE PARA ELIMINAR MATERIALES Y VAPORES PELIGROSOS O EXPLOSIVOS.

⚠ PRECAUCIÓN PARA REDUCIR EL RIESGO DE INCENDIO Y PARA ELIMINAR EL AIRE DE ESCAPE CORRECTAMENTE, ASEGÚRESE DE DIRIGIR EL AIRE DEL CONDUCTO HACIA EL EXTERIOR. NO VENTILE EL AIRE DE ESCAPE EN ESPACIOS DENTRO DE PAREDES O CIELORRASOS O EN ÁTICOS, HUECOS SANITARIOS O GARAJES.

⚠ ADVERTENCIA PARA REDUCIR EL RIESGO DE LESIONES A PERSONAS EN CASO DE UN INCENDIO DE GRASA SOBRE UNA ESTUFA, CUMPLA CON LOS SIGUIENTES PUNTOS*:

- A. APAGUE LAS LLAMAS con una tapa que ajuste bien, una plancha para galletas o una bandeja de metal, y luego apague el quemador. TENGA MUCHO CUIDADO A FIN DE EVITAR QUEMADURAS. Si las llamas no se apagan de inmediato, SALGA DE LA VIVIENDA Y LLAME AL DEPARTAMENTO DE BOMBEROS.
- B. NUNCA LEVANTE UNA SARTÉN EN LLAMAS—
Usted puede quemarse.
- C. NO UTILICE AGUA, incluyendo repasadores o toallas húmedos—se provocará una violenta explosión de vapor.
- D. Utilice un extintor SÓLO si:
 1. Usted sabe que cuenta con un extintor Clase ABC y ya sabe cómo utilizarlo.
 2. El incendio es pequeño y se contuvo en el área donde comenzó.
 3. Se está llamando al departamento de bomberos.
 4. Usted puede combatir el incendio con su espalda dirigida hacia una salida.

*Basado en “[Kitchen Fire Safety](#)” publicado por NFPA.

LEA Y GUARDE ESTAS INSTRUCCIONES

SAFETY PRECAUTIONS

⚠ ADVERTENCIA PARA REDUCIR EL RIESGO DE UN INCENDIO DE GRASA SOBRE UNA ESTUFA:

- A. Nunca deje unidades de superficie desatendidas en configuraciones de calor elevadas. Los alimentos que hierven y se derraman provocan humo y derrames grasos que pueden prenderse fuego. Caliente los aceites lentamente en configuraciones bajas o medias.
- B. Siempre encienda el sistema de ventilación cuando cocine con configuraciones de calor elevadas o cuando flambee alimentos (por ej., Crepes Suzette, cerezas Jubilee, carne flambeada a la pimienta en grano).
- C. Limpie los ventiladores con frecuencia. No debe permitirse la acumulación de grasa en el ventilador o en el filtro.
- D. Utilice el tamaño de recipiente adecuado. Siempre utilice recipientes de cocción apropiados para el tamaño del elemento de superficie.

⚠ ADVERTENCIA A FIN DE REDUCIR EL RIESGO DE INCENDIOS, DESCARGAS ELÉCTRICAS O LESIONES PERSONALES, CUMPLA CON LO SIGUIENTE:

- A. El trabajo de instalación y el cableado eléctrico deben ser realizados por una persona(s) calificada de acuerdo con todos los códigos y estándares aplicables, incluyendo construcciones resistentes al fuego.
- B. Es necesario contar con suficiente cantidad de aire para una combustión y salida de gases adecuadas a través del conducto (chimenea) del equipo de consumo de combustible, a fin de evitar ráfagas de aire. Siga las pautas del fabricante del equipo de calefacción y los estándares de

seguridad, tales como aquellos publicados por la Asociación Nacional de Protección contra Incendios (National Fire Protection Association, NFPA), la Sociedad Estadounidense para la Calefacción (American Society for Heating), los Ingenieros de Refrigeración y Acondicionadores de Aire (Refrigeration and Air Conditioning Engineers, ASHRAE) y las autoridades de los códigos locales.

- C. Al cortar o perforar una pared o un cielorraso, no dañe el cableado eléctrico y de otros servicios ocultos.
- D. Los ventiladores con conducto siempre deben contar con ventilación hacia el exterior.
- E. Cuando corresponda, instale un sistema de reposición (reemplazo) de aire de acuerdo con los requisitos del código local de construcción. Para acceder a soluciones relacionadas con la reposición de aire, visite GEAppliances.com.
- F. Desconecte el disyuntor de habitaciones adyacentes mientras esté trabajando.

⚠ ADVERTENCIA A FIN DE REDUCIR EL RIESGO DE INCENDIOS, USE SÓLO CONDUCTOS DE METAL.

- No intente reparar o reemplazar ninguna parte de la cocina, a menos que esto se recomiende específicamente en este manual. Cualquier otra reparación deberá ser realizada por un técnico calificado.

LEA Y GUARDE ESTAS INSTRUCCIONES

¡Gracias! ... por su compra de un electrodoméstico de la Marca GE Appliances

Registre su Electrodoméstico: ¡Registre su electrodoméstico nuevo a través de Internet, según su conveniencia!

www.geappliances.com/service_and_support/register/

Un registro puntual de su producto permitirá una mejor comunicación y un servicio más puntual de acuerdo con los términos de su garantía, en caso de surgir la necesidad. También puede enviar una carta en la tarjeta de inscripción pre-impresa que se incluye con el material embalado.

Garantía de la Cocina Eléctrica de GE Appliances

GEAppliances.com

Todo el servicio de garantía es provisto por nuestros Centros de Servicio de Fabricación, o un técnico autorizado de Customer Care®. Para programar una visita del servicio técnico a través de Internet, visítenos en www.geappliances.com/service_and_support/, o llame al 800.GE.CARES (800.432.2737). Cuando llame para solicitar el servicio, tenga los números de serie y modelo disponibles.

Para realizar el servicio técnico de su electrodoméstico, se podrá requerir el uso de datos del puerto de abordaje para su diagnóstico. Esto da al técnico del servicio de fábrica de GE Appliances la habilidad de diagnosticar de forma rápida cualquier problema con su electrodoméstico, y de ayudar a GE Appliances a mejorar sus productos al brindarle a GE Appliances la información sobre su electrodoméstico. Si no desea que los datos de su electrodoméstico sean enviados a GE Appliances, solicitamos que le indique a su técnico no entregar los datos a GE Appliances en el momento del servicio.

Por el Período de	GE Appliances reemplazará
Un Año Desde la fecha de la compra original	Cualquier pieza del producto de cocción que falle debido a un defecto en los materiales o la fabricación. Durante esta garantía limitada de un año , GE Appliances también proveerá, sin costo , todo el trabajo y costos del servicio relacionados con el reemplazo de la pieza defectuosa.

Qué no cubrirá GE Appliances:

- Viajes del técnico del servicio a su hogar para enseñarle sobre cómo usar el producto.
- Instalación, entrega o mantenimiento inadecuados.
- Fallas del producto en caso de abuso, mal uso, modificación o uso para propósitos diferentes al original o uso comercial.
- Reemplazo de fusibles de la casa o reinicio de disyuntores.
- Daños ocasionados sobre el producto por accidente, incendio, inundaciones o catástrofes naturales.
- Daños sobre el acabado, tales como óxido sobre la superficie, deslustres o manchas pequeñas no informadas dentro de las 48 horas luego de la entrega..
- Daños incidentales o consecuentes causados por posibles defectos sobre este producto.
- Daño causado después de la entrega.
- Producto no accesible para brindar el servicio requerido.
- Solicite el servicio técnico para reparar o reemplazar las lámparas, excepto las lámparas LED.

EXCLUSIÓN DE GARANTÍAS IMPLÍCITAS

Su única y exclusiva alternativa es la reparación del producto, como se indica en la Garantía Limitada. Las garantías implícitas, incluyendo garantías implícitas de comerciabilidad o conveniencia sobre un propósito particular, se limitan a un año o al período más corto permitido por la ley.

Esta garantía se extiende al comprador original y a cualquier dueño subsiguiente de productos comprados para uso hogareño dentro de EE.UU. Si el producto está en un área donde no se encuentra disponible un Proveedor Autorizado del Servicio Técnico de GE Appliances, usted será responsable por el costo de un viaje o se podrá requerir que traiga el producto a una ubicación del Servicio Técnico de GE Appliances autorizado para recibir el servicio. En Alaska, la garantía excluye el costo de envío o llamadas del servicio a su hogar. Algunos estados no permiten la exclusión o limitación de daños fortuitos o consecuentes. Esta garantía le da derechos legales específicos y es posible que tenga otros derechos legales que varían entre un estado y otro. Para conocer cuáles son sus derechos legales, consulte a la oficina de asuntos del consumidor local o estatal o al Fiscal de su estado.

Garante: GE Appliances

Garantías Extendidas: Adquiera una garantía extendida de GE Appliances y conozca los descuentos especiales que están disponibles mientras su garantía aún está vigente. Puede acceder a la misma a través de Internet en cualquier momento en

www.geappliances.com/service_and_support/shop-for-extended-service-plans.htm

o llamando al 800.626.2224 durante el horario comercial. Los Servicios para los GE Appliances aún estarán disponibles cuando su garantía caduque.

¿Desea realizar una consulta o necesita ayuda con su electrodoméstico?

¡Consulte el Sitio Web de Electrodomésticos de GE Appliances (www.geappliances.com/service_and_support/) durante las 24 horas, cualquier día del año! Para mayor conveniencia y un servicio más rápido, ahora puede descargar el Manual del Propietario, ordenar piezas o incluso programar el servicio técnico a través de Internet.

Servicio Programado: El servicio de reparación de expertos de GE Appliances está a sólo un paso de su puerta. Entre a Internet y programe su servicio en www.geappliances.com/service_and_support/ o llame al 800.GE.CARES (800.432.2737) durante el horario de atención comercial.

Piezas y Accesorios: Aquellas personas calificadas para realizar el servicio técnico sobre sus propios electrodomésticos podrán solicitar el envío de piezas o accesorios directamente a sus hogares (se aceptan las tarjetas VISA; MasterCard y Discover). Ordene a través de Internet hoy, durante las 24 horas o en forma telefónica al 800.626.2002 durante el horario de atención comercial.

Las instrucciones que figuran en este manual cubren los procedimientos que serán realizados por cualquier usuario. Otros servicios técnicos generalmente deberían ser derivados a personal calificado del servicio. Se deberá tener cuidado, ya que una reparación indebida podrá hacer que el funcionamiento no sea seguro.

Estudio de Diseño de la Vida Real: GE Appliances apoya el concepto de Diseño Universal en productos, servicios y ambientes que pueden ser usados por personas de todas las edades, tamaños y capacidades. Reconocemos la necesidad de realizar diseños para una amplia gama de habilidades e incapacidades físicas y mentales. Para más detalles sobre las aplicaciones de Diseño Universal de GE Appliances, incluyendo ideas de diseño de cocinas para personas con incapacidades, visite nuestro sitio web hoy. Sobre casos de incapacidad auditiva, comuníquese al 800.TDD.GEAC (800.833.4322).

Contáctenos: Si no se encuentra satisfecho con el servicio que recibió de GE Appliances, comuníquese con nosotros a través de nuestro sitio web con todos los detalles, incluyendo su número telefónico, o escriba a:

General Manager, Customer Relations

GE Appliances, Appliance Park Louisville, KY 40225

Accesorios

¿Busca Algo Más?

¡GE Appliances ofrece una variedad de accesorios para mejorar sus experiencias de cocción y mantenimiento!

Para realizar una orden, visítenos a través de Internet en:

www.GEApplianceParts.com

o llame al **800.626.2002**

Estos y otros productos están disponibles:

Piezas

Filtro de Carbón

WB02X10700

Cómo Retirar la Película Protectora de Envío y la Cinta de Embalaje

Con cuidado tome un extremo de la película protectora de envío con los dedos y lentamente retire la misma de la superficie del electrodoméstico. No utilice ningún producto filoso para retirar la película. Retire toda la película antes de usar el electrodoméstico por primera vez.

Para asegurar que no haya daños sobre el acabado del producto, la forma más segura de retirar el adhesivo de la cinta

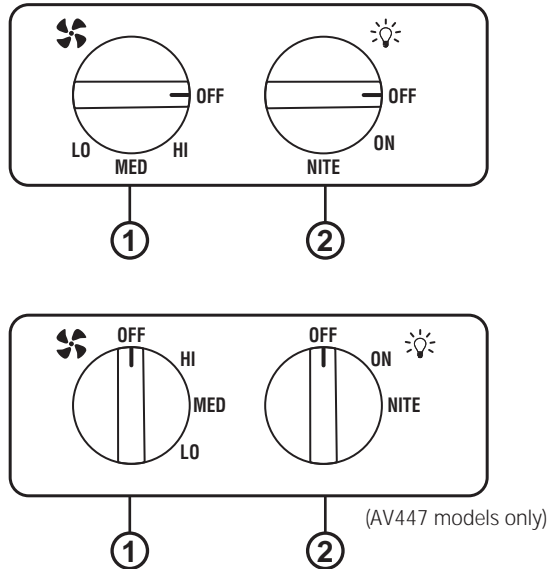
de embalaje en electrodomésticos nuevos es aplicando un detergente líquido hogareño para lavar platos. Aplique con una tela suave y deje que se seque.

NOTA: El adhesivo deberá ser eliminado de todas las partes. No se puede retirar si se hornea con éste dentro.

Controles

Es posible que las funciones y el aspecto varíen con relación a su modelo a lo largo del manual.

Perillas de Control (en algunos modelos)

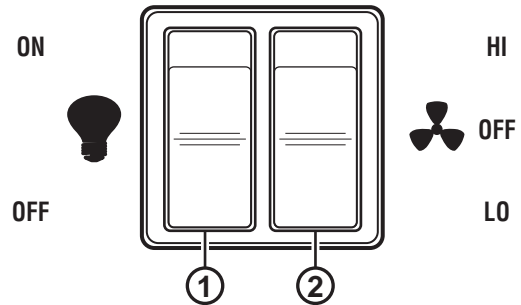


- Control del VENTILADOR:** Gire a **HI (Alto)**, **MED (Medio)** o **LO (Bajo)** según sea necesario.

El uso continuo del sistema de ventilación mientras cocina ayuda a mantener la cocina confortable y menos húmeda. También reduce los olores de la cocción y la suciedad creada por la humedad que demanda una limpieza frecuente.

- Control de la LUZ:** Gire a **ON (Encender)** mientras cocina o a **NITE (Nocturno)** para uso como luz nocturna.

Controles de las Teclas del Interruptor (en algunos modelos)



- Control de la LUZ:** Presione la tecla en la parte superior para encender la luz.
- Botones de la Configuración del Ventilador:** Presione la tecla en la parte superior para ubicar el ventilador en **HI (Alto)** y en la parte inferior para **LO (Bajo)**. La posición central es **OFF (Apagar)**.

El uso continuo del sistema de ventilación mientras cocina ayuda a mantener la cocina confortable y menos húmeda. También reduce los olores de la cocción y la suciedad creada por la humedad que demanda una limpieza frecuente.

Filtros

Asegúrese de que el disyuntor esté apagado y que todas las superficies estén frías antes de limpiar o realizar el servicio técnico de cualquier parte de la campana de ventilación.

Filtro de Grasa Metálico Reutilizable – Sólo para Instalaciones con Tubería

La eficiencia de su campana depende de que cuente con un filtro limpio. La frecuencia de la limpieza depende del uso de la campana y del tipo de cocción que realice. Sin embargo, el filtro de grasa debe ser limpiado por lo menos una vez por mes.

Para su retiro:

Presione hacia abajo sobre el centro del extremo frontal del filtro. Luego, el filtro se deslizará de las lengüetas de retención en la parte trasera.

Para reemplazar:

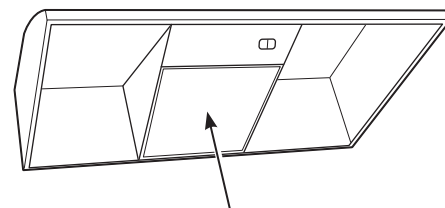
Deslice el extremo trasero del filtro en las lengüetas de retención y presione el extremo frontal hacia arriba hasta que calce en su posición.

Para limpiarlo:

Remoje y luego agite el mismo usando agua caliente y una solución de detergente. Se podrá cepillar suavemente para retirar suciedad incrustada. Enjuague, sacuda y deje secar antes de realizar el reemplazo.

NUNCA UTILICE LA CAMAPNA SIN EL FILTRO EN SU POSICIÓN.

Si se maneja con cuidado, el filtro metálico durará por años. De ser necesario el reemplazo por un filtro nuevo, ordene la pieza a su vendedor minorista. Ordene la pieza original de GE Appliances número **WB02X8391**.



Filtro de Grasa

Filtros (Cont.)

Filtro de Carbón – Sólo en Instalaciones con Recirculación

El filtro de carbón no puede ser limpiado. Debe ser reemplazado. Ordene el filtro nº WB02X10700. Los filtros de reemplazo pueden ser ordenados a su proveedor de GE Appliances.

Si la campana no cuenta con ventilación hacia fuera, el aire será recirculado a través de un filtro de carbón descartable que ayuda a retirar el humo y los olores.

El filtro de carbón debe ser reemplazado luego de entre 6 y 12 meses (dependiendo del uso de la campana).

Para su retiro:

Presione hacia abajo sobre el centro del extremo frontal del filtro. El filtro luego se deslizará de las lengüetas de retención en la parte trasera.

Para reemplazar:

Deslice el extremo trasero del filtro en las lengüetas de retención y presione el extremo frontal hacia arriba hasta que calce en su posición.



Filtro de carbón reemplazable

NOTA: NO enjuague ni coloque los filtros de carbón en un lavavajillas automático

Superficies

Superficies de acero inoxidable (en algunos modelos)

No utilice almohadillas de acero porque rayan la superficie.

Para limpiar la superficie de acero inoxidable, utilice agua tibia jabonosa o un limpiador o lustrador de acero inoxidable. Siempre limpie la superficie en dirección de la veta. Siga las instrucciones del producto para limpiar la superficie de acero inoxidable.

Para consultar sobre la compra de limpiadores o lustradores de aparatos de acero inoxidable, o para encontrar la ubicación del distribuidor más cercano, llame a nuestro número gratuito:

Centro nacional de piezas

800.626.2002

GEApplianceParts.com

Superficies Pintadas (en algunos modelos)

No use virutas de acero u otros limpiadores abrasivos; estos rayarán la superficie.

De forma frecuente, limpie las superficies sucias de grasa. Para limpiar la superficie de la campana, use una tela caliente y húmeda con un detergente suave adecuado para superficies pintadas. Se puede agregar aproximadamente una chuchara sopera de amoníaco al agua. Use una tela limpia, caliente y húmeda para eliminar el jabón. Seque con una tela limpia y seca.

NOTA: Al realizar la limpieza, tenga cuidado de no tener contacto con los filtros y otras superficies no esmaltadas.

⚠ PRECAUCIÓN

Al limpiar las superficies de la campana, asegúrese de no tocar la lámpara con las manos húmedas o con una tela. Una lámpara tibia o caliente se puede romper si es tocada con una superficie húmeda. Siempre espere a que la lámpara se enfríe completamente antes de hacer la limpieza alrededor de la misma.

Luz

⚠ PRECAUCIÓN

Deje que la lámpara se enfríe completamente antes de retirar la misma. Una lámpara tibia o caliente se puede romper si es tocada con una tela húmeda o con la mano.

Retire la lámpara y reemplace la misma por una lámpara de luz incandescente tipo A15 con una base atornillada común, de no más de 60 Watts, o por una luz Fluorescente Compacta (CFL) tipo A17 o T2 con una base atornillada común, de no más de 13 watts. **NOTA:** Use sólo lámparas incandescentes en los modelos RN328, JN327, JN328 y JV338.

IMPORTANTE: Para la instalación, y las precauciones de manipulación y descarte, consulte las instrucciones de embalaje de lámparas fluorescentes.

Para retirar la tapa de luz (en algunos modelos):

- Presione los laterales con dos dedos hasta que las clavijas laterales sean liberadas.
- Levante la tapa de la luz y deslice la misma hacia usted con un solo movimiento.

Para reemplazar la tapa de la luz:

- Inserte la clavija ubicada en el extremo de la tapa en la abertura superior.
- De forma suave, empuje la tapa hacia arriba y presione los laterales para calzar las clavijas laterales en las aberturas laterales.
- Libere la misma y la tapa calzará en su posición.

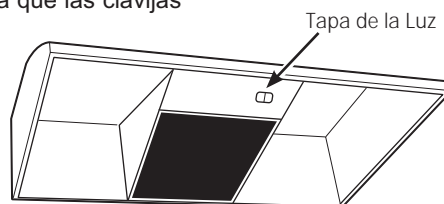
Al usar una lámpara de ahorro de energía en su campana GE Appliances, asegúrese de usar:



GE Long Life Energy Smart™ Spiral® T2
Código del Producto: 85383
Descripción: FLE13HT2/2/SW/CD



GE Long Life Energy Smart™ A17
Código del Producto: 47486
Descripción: FLE11/2/A17XL/CD
Disponibles en www.gelighting.com



Instrucciones de instalación

Campana para Horno

? “Ante cualquier duda, llame a GE Appliances al 800.GE.CARES (800.432.2737) o visite nuestro sitio Web en: GEAppliances.com”.

ANTES DE COMENZAR

Lea estas instrucciones por completo y con detenimiento.

- **IMPORTANTE** – Guarde estas instrucciones para el uso de inspectores locales.
- **IMPORTANTE** – Cumpla con todos los códigos y ordenanzas vigentes.
- **Nota al instalador** – Asegúrese de dejar estas instrucciones con el Consumidor.
- **Nota al consumidor** – Conserve estas instrucciones para referencia futura.
- **Nivel de capacidad** – La instalación de esta campana de ventilación requiere capacidades mecánicas y eléctricas básicas.
- **Tiempo de finalización** – Aproximadamente de 1 a 3 horas.
- El instalador tiene la responsabilidad de efectuar una instalación adecuada.
- La Garantía no cubre las fallas del producto debido a una instalación incorrecta.

PARA SU SEGURIDAD:

⚠ ADVERTENCIA Antes de comenzar la instalación, desconecte la energía del panel de servicio y bloquee los medios de desconexión para evitar el accionamiento de la energía de manera accidental. Cuando los medios de desconexión de servicio no pueden bloquearse, coloque sobre el panel de servicio un dispositivo de advertencia bien visible, como una etiqueta.

KIT DEL CABLE DE CORRIENTE OPCIONAL JXHC1

Un Kit de Conexión de Cable de Corriente opcional, modelo JXHC1, está disponible por un costo adicional a través de su proveedor de GE Appliances para la instalación utilizando un tomacorriente de pared con conexión a tierra de 3 patas. Siga las Instrucciones de Instalación adjuntas con el kit para conectar el cable de corriente a la campana de la cocina.

REQUISITOS DE LA TUBERÍA

NOTA: Lea las secciones sobre la tubería sólo si no se cuenta con una. Si ya cuenta con una tubería, pase a la sección “Daños” y proceda.

⚠ ADVERTENCIA **A FIN DE REDUCIR EL RIESGO DE INCENDIOS Y PARA CONTAR CON UNA SALIDA DE AIRE ADECUADA, ASEGÚRESE DE CONDUCIR EL AIRE HACIA FUERA – NO VENTILE EL AIRE HACIA ESPACIOS ENTRE PAREDES O CIELORASOS O HACIA ÁTICOS, ESPACIOS MUY BAJOS O GARAJES.**

El sistema de ventilación debe contar con salida hacia el exterior. La campana puede ser ventilada de forma vertical a través de los gabinetes superiores o de forma horizontal a través de una pared externa. La tubería no está incluida.

Conexión del escape:

La salida de la campana fue diseñada para coincidir con una tubería estándar de 3 ¼" x 10" o con una tubería redonda de 7" de diámetro.

Si se requiere una tubería redonda de 6", se deberá usar un adaptador de transición de rectangular a circular*. No use una tubería de menos de 6" de diámetro.

Longitud de la tubería:

Es importante que la tubería sea instalada utilizando la ruta más directa y con la menor cantidad de codos posible. Esto asegura una ventilación despejada del escape y ayuda a evitar bloqueos. Además, asegúrese de que los reguladores se balanceen libremente y que nada bloquee las tuberías. Cuando corresponda, instale un sistema de reposición (reemplazo) de aire de acuerdo con los requisitos del código local de construcción. Para acceder a soluciones relacionadas con la reposición de aire, visite GEAppliances.com.

- Planifique el recorrido de la salida de ventilación hacia el exterior. A fin de maximizar el rendimiento de la ventilación del sistema de ventilación:
 1. Minimice la longitud del conducto y el número de transiciones y codos.
 2. Mantenga un tamaño de conducto constante.
 3. Selle todas las juntas con cinta para conductos a fin de evitar pérdidas.
 4. No utilice conductos flexibles de ningún tipo.
- Instale una cubierta de pared o casquete de techo con un regulador de tiro en la abertura exterior. Solicite por adelantado la cubierta de pared o el casquete de techo y cualquier transición o longitud de conducto necesarios.



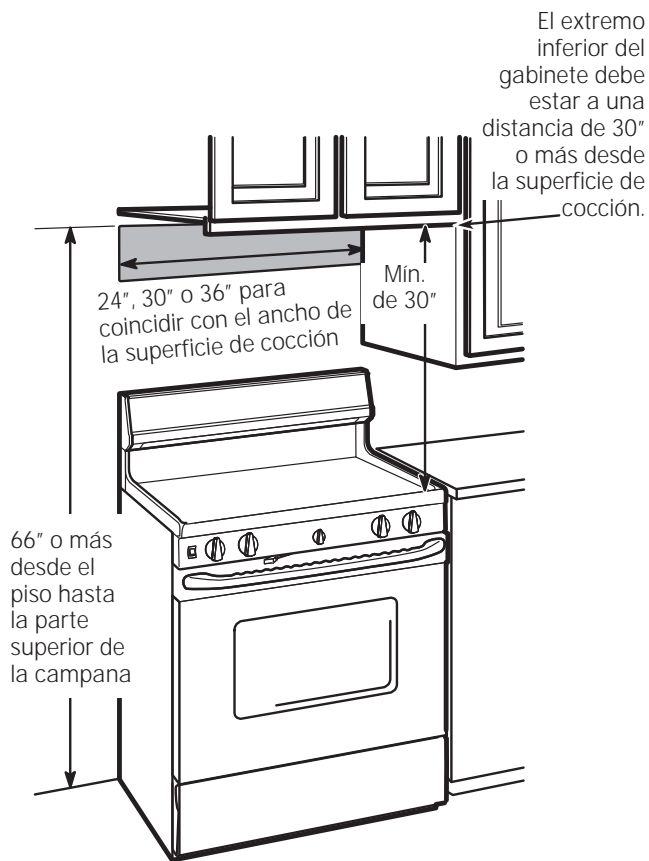
* **IMPORTANTE:** Si se utiliza un adaptador de transición de rectangular a circular, las esquinas inferiores del regulador se deberán cortar para que coincidan, usando las tijeras para hojalata, a fin de permitir un movimiento libre del regulador. Las longitudes equivalentes a las piezas de conductos están basadas en evaluaciones reales y reflejan los requisitos para un buen funcionamiento de la ventilación con cualquier campana.

Instrucciones de instalación

DAÑO – ENVÍO/ INSTALACIÓN

- Si la unidad se daña durante el envío, devuelva la unidad a la tienda donde fue comprada para su reparación o reemplazo.
- Si la unidad es dañada por el cliente, la reparación o reemplazo es responsabilidad del cliente.
- Si la unidad es dañada por el instalador (si no es el cliente), la reparación o reemplazo deberán ser realizados a través de un acuerdo entre el cliente y el instalador.

ESPACIO DE MONTAJE







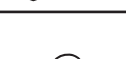

NOTAS:

- El ancho de la campana puede ser mayor que el ancho de la cocina o de la superficie de cocción, pero no puede ser más pequeño.
- Asegúrese de que la cocina o la superficie de cocción sea instalada de acuerdo con las instrucciones de instalación del fabricante.
- Si hará que la ventilación de su cocina salga hacia el exterior, consulte la sección de "Requisitos de la Tubería" para la preparación de la tubería de escape.
- Las campanas fueron diseñadas para adherirse a gabinetes de 12" de profundidad. Para instalaciones en gabinetes de 15" de profundidad, un accesorio para el panel de relleno está disponible: ordene el modelo **JXS50SS** para campanas de 30" de ancho o el modelo **JXS56SS** para campanas de 36" de ancho.

HERRAMIENTAS NECESARIAS



PIEZAS INCLUIDAS

PIEZA	CANTIDAD
 Filtro de Grasa únicamente (JV338)	1
 Filtro de Carbón únicamente (JN327, JN328 and RN328)	1
 Filtro de Grasa y Filtro de Carbón (JV24X, JV347, JV348, JV367 y AV447)	2
 Tornillos de Montaje (Phillips de cabeza alomada de 8-18" x 3/4")	4
 Adaptador del Escape (para ventilación rect. de 3 1/4" x 10")	1
 Tornillo del Adaptador del Escape (Phillips con cabeza alomada o hexagonal de 8-18" x 3/8")	1

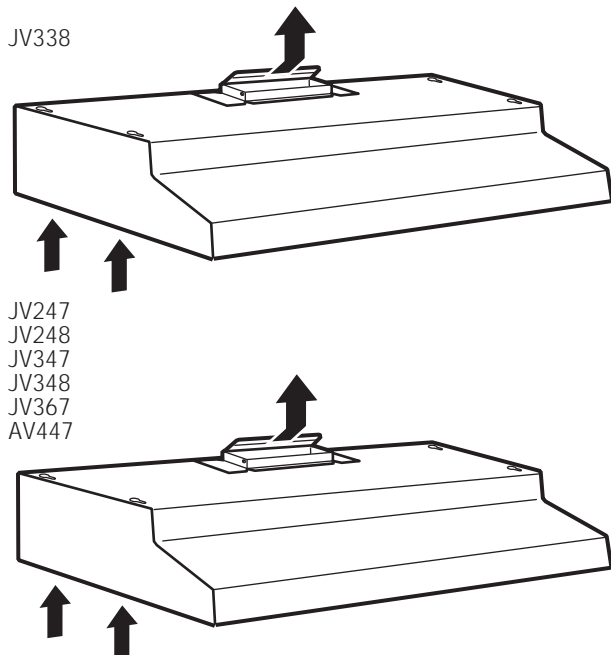
Instrucciones de instalación

1 ELIJA LA OPCIÓN DE VENTILACIÓN

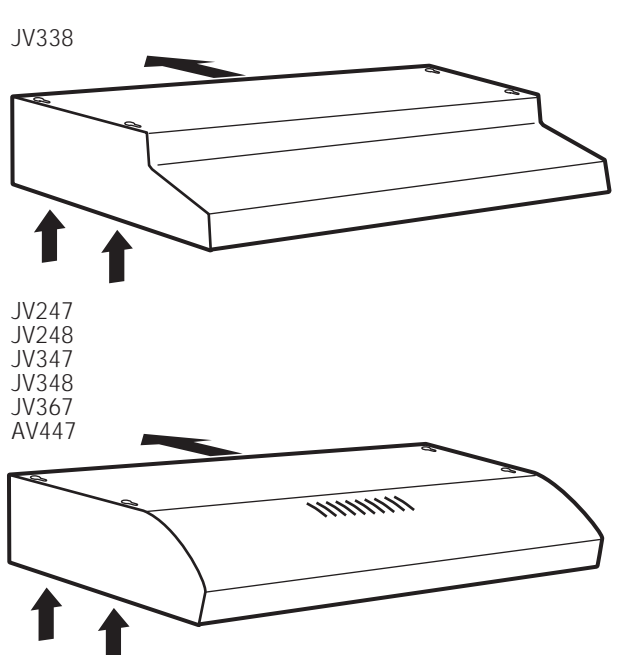
Determine la opción de ventilación necesaria para su instalación y disponible para su modelo entre las opciones que figuran más abajo.

IMPORTANTE: Si la campana será instalada sin tubería, con recirculación y no ventilada, no anule ninguna abertura de ventilación de la campana. Sólo se debe anular un agujero de la campana para el acceso eléctrico.

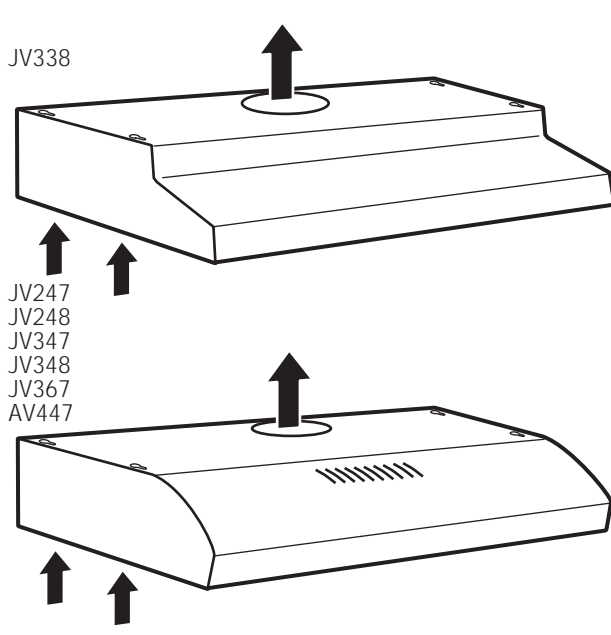
A Escape superior hacia fuera (conducto vertical - rectangular de 3 1/4" x 10")



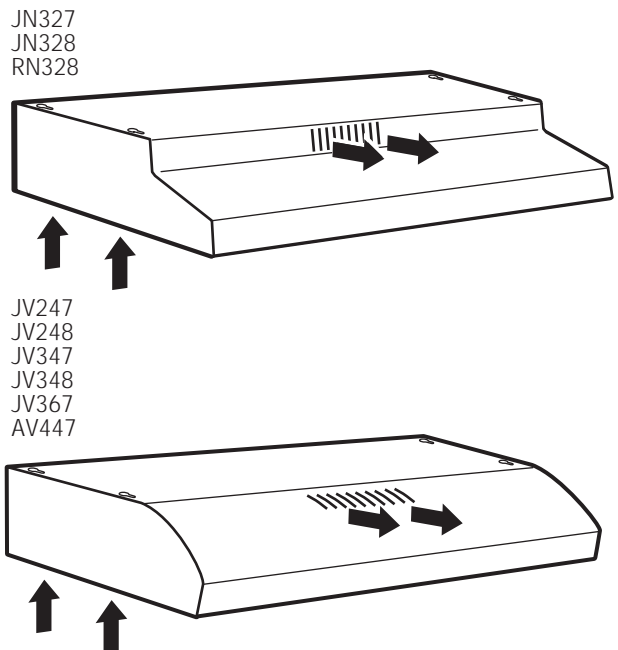
C Escape trasero hacia fuera (conducto horizontal - rectangular de 3 1/4" x 10")



B Escape superior hacia fuera (conducto vertical - Redondo de 7")



D Recirculación (no ventilada/ sin conducto)

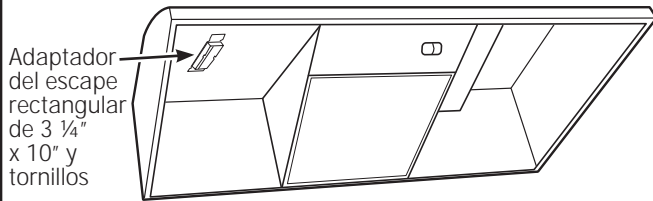


Instrucciones de instalación

2 RETIRE EL ADAPTADOR DEL ESCAPE

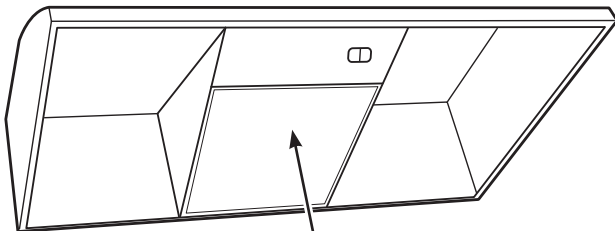
Si el escape/ ventilación se realizará con una tubería rectangular de 3 ¼" x 10"—opcional para los modelos JV247, JV248, JV338, JV347, JV348, JV367 y AV447 únicamente:

Retire el adaptador del escape de la parte interna de la campana. Deje el mismo a un lado con sus tornillos de montaje.



3 RETIRE EL FILTRO

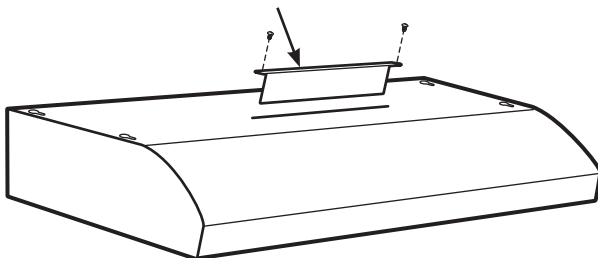
Retire la cinta de embalaje que sostiene el **filtro de grasa metálico** en su posición. Presione hacia abajo sobre el centro del extremo frontal del filtro. El filtro luego se deslizará de las lengüetas de retención en la parte trasera.



4 INVIERTA EL DEFLECTOR PARA INSTALACIONES EN CONDUCTOS ÚNICAMENTE (modelos JV247, JV248, JV347, JV348, JV367 y AV447)

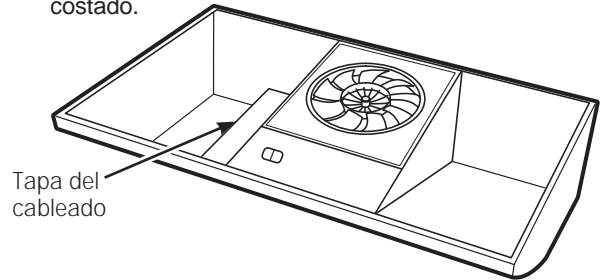
Si la campana será recirculada, vaya al siguiente paso. Retire el deflector de la parte superior de la campana. Vuelva a instalar el deflector de modo que el lado corto con la marca "VENTILADO" quede visible. Este lado largo del deflector debe estar dentro de la campana.

"VENTILADO" está visible



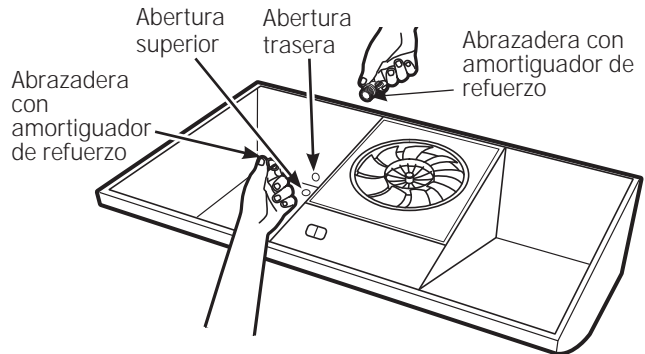
5 RETIRE LA TAPA DEL CABLEADO

Retire la tapa del cableado de la parte interna de la campana. Deje la tapa y los tornillos de montaje a un costado.



6 RETIRE LA ABERTURA DEL CABLEADO

Retire tanto la parte superior o la parte trasera de la abertura del cableado según sea necesario e instale una **abrazadera con amortiguador de refuerzo** aprobada.

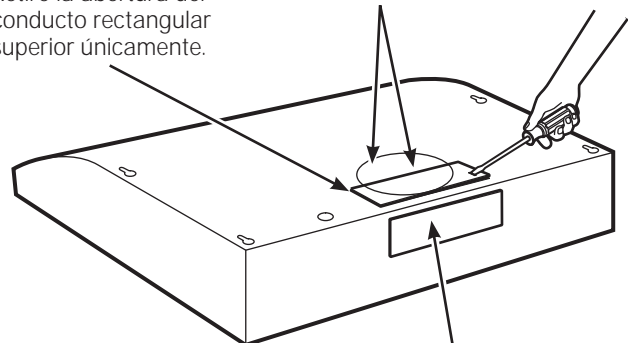


7 RETIRE LA ABERTURA DEL CONDUCTO

Si se hará una **recirculación**, sin conducto ni ventilación (modelos JN327, JN328 y RN328, y opcional para JV247, JV248, JV347, JV348, JV367 y AV447 únicamente), **vaya al Paso 11 D y prosiga.** Utilizando un destornillador de punta plana, retire la **abertura del conducto** apropiada de la parte superior o trasera de la campana.

Descarga vertical rectangular de 3 ¼" x 10". Retire la abertura del conducto rectangular superior únicamente.

Descarga vertical redonda de 7". Retire la abertura del conducto circular únicamente.



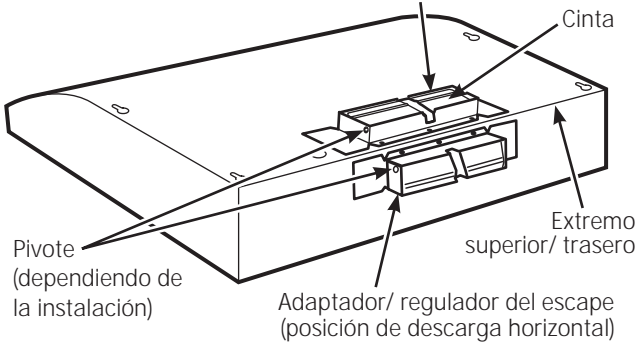
Descarga horizontal rectangular de 3 ¼" x 10". Retire la abertura del conducto rectangular trasero únicamente.

Instrucciones de instalación

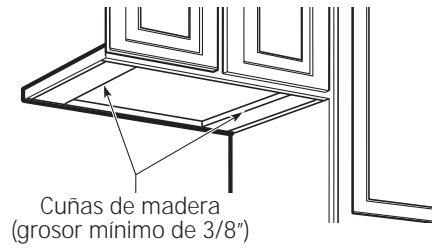
8 PARA INSTALACIÓN DE DESCARGA CON CONDUCTO RECTANGULAR DE 3 ¼" X 10" ÚNICAMENTE:

Adhiera el **adaptador/ regulador** de salida sobre la abertura apropiada (para instalación vertical u horizontal, dependiendo de la misma) con dos tornillos del adaptador de salida. Asegúrese de que el pivote del regulador esté lo más cerca posible del extremo **superior/ inferior** de la campana. Retire la cinta de la solapa del regulador.

Adaptador/ regulador del escape (posición de descarga vertical)



10 PARA LOS GABINETES INFERIORES EMPOTRADOS ÚNICAMENTE



Si los gabinetes cuentan con bordes frontales, laterales o traseros, haga 2 cuñas de un grosor mínimo de 3/8" y recorte para que coincida el ancho de la parte inferior interna del gabinete empotrado. Adhiera los mismos al hueco de la parte inferior del gabinete sobre ambos lados. Consulte las ubicaciones marcadas en el Paso 11.

9 PARA INSTALACIONES DE DESCARGA CON CONDUCTO VERTICAL REDONDO DE 7" ÚNICAMENTE.

Incline las orejas de alineación del conducto como preparación para la adherencia posterior del conducto de 7".

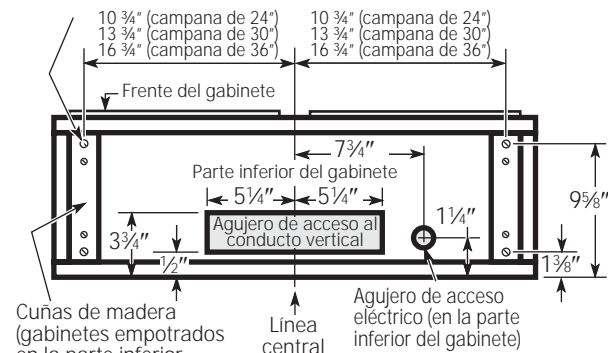


11 MARQUE LOS AGUJEROS

Seleccione la opción de ventilación que su instalación requerirá y proceda a dicha sección:

- A** Escape superior hacia fuera
(Conducto vertical – Rectangular de 3 1/4" x 10")
Use el diagrama o la campana como plantilla y marque las ubicaciones en el gabinete para el conducto, el cableado eléctrico y las ranuras para los tornillos de la cerradura.

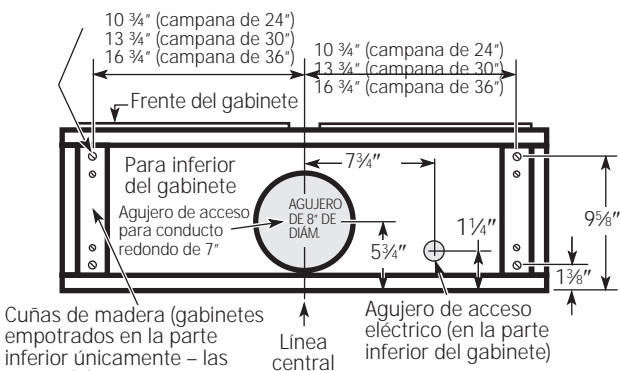
Tornillos para el montaje de la campana (4)



Cuñas de madera (gabinetes empotrados en la parte inferior únicamente – las cuñas deben tener un mínimo de 3/8" de grosor y estar cortadas de modo que calcen en el ancho de la parte inferior interna del gabinete empotrado)

- B** Escape superior hacia fuera
(Conducto vertical – Redondo de 7")
Use el diagrama o la campana como plantilla y marque las ubicaciones en el gabinete para el conducto, el cableado eléctrico y las ranuras para los tornillos de la cerradura.

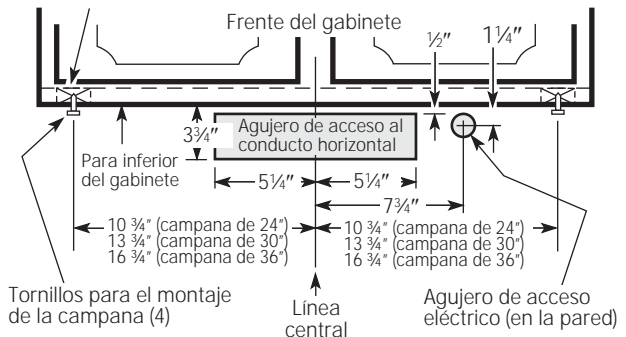
Tornillos para el montaje de la campana (4)



Cuñas de madera (gabinetes empotrados en la parte inferior únicamente – las cuñas deben tener un mínimo de 3/8" de grosor y estar cortadas de modo que calcen en el ancho de la parte inferior interna del gabinete empotrado)

- C** Escape trasero hacia fuera
(conducto horizontal – Rectangular de 3 1/4" x 10")
Use el diagrama o la campana como plantilla y marque las ubicaciones en el gabinete para el conducto, el cableado eléctrico y las ranuras para los tornillos de la cerradura.

Cuñas de madera (gabinetes empotrados en la parte inferior únicamente – las cuñas deben tener un mínimo de 3/8" de grosor y estar cortadas de modo que calcen en el ancho de la parte inferior interna del gabinete empotrado)



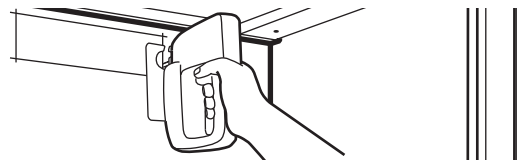
Tornillos para el montaje de la campana (4)

- D** Recirculación (sin conducto ni ventilación – JN327, JN328 y RN328, y opcional en los modelos JV247, JV248, JV347, JV348, JV367 y AV447 únicamente)

- Use la campana como plantilla y marque las ubicaciones en el gabinete para el cableado eléctrico y las ranuras para los tornillos de la cerradura.
- Debido a que la campana será recirculada (no ventilada hacia fuera), no corte ninguna abertura de la ventilación en la pared o en la parte inferior del gabinete.

12 CORTE LOS AGUJEROS

Corte los agujeros en las ubicaciones marcadas para el conducto y el cableado eléctrico. Para el conducto vertical, corte 3/4" adicionales hacia el frente del gabinete, de modo que pueda mover el conducto libremente al instalar la campana. También puede facilitar la instalación cortar un agujero de 10 1/2" en lugar de 10".



13 PASE LOS CABLES

Pase los cables eléctricos a través de la pared o del gabinete de acuerdo con el Código Nacional de Electricidad y los códigos locales aplicables.

NOTA: NO active la corriente hasta haber completado la instalación.

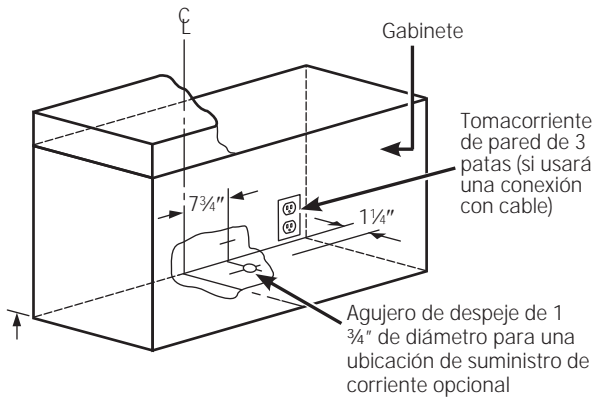
Instrucciones de instalación

14 ATORNILLE HASTA LA MITAD

Coloque un tornillo de montaje (del paquete de herramientas) hasta la mitad en cada centro del cuello estrecho de las ranuras de las cerraduras marcados en la parte inferior del gabinete.

15 KIT DEL CABLE DE CORRIENTE OPCIONAL JXHC1

Un Kit de Conexión de Cable de Corriente opcional, modelo JXHC1, está disponible por un costo adicional a través de su proveedor de GE Appliances para la instalación utilizando un tomacorriente de pared con conexión a tierra de 3 patas. Siga las Instrucciones de Instalación adjuntas con el kit para conectar el cable de corriente a la campana de la cocina.



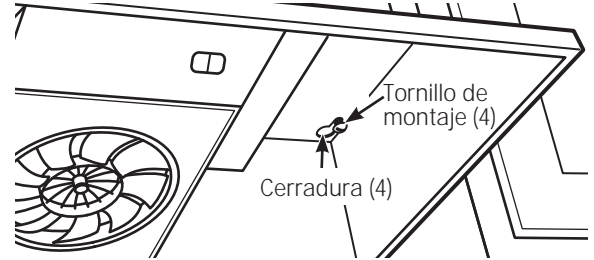
NOTA: Si usará el Kit de Cable de Corriente JXHC1 opcional, alimente el cable de corriente a través del agujero en el gabinete superior mientras eleva la campana. Enrolle cualquier longitud excesiva del cable y ajuste con una cinta adecuada o nudo.

16 CABLES DE ALIMENTACIÓN

Levante la campana hasta su posición y alimente el cableado del hogar a través de la abertura del cableado.

17 ASEGURE LA CAMPANA

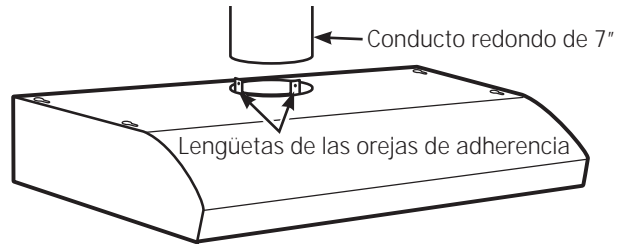
Deslice la campana nuevamente contra la pared. Ajuste los tornillos de montaje. Asegúrese de que las cabezas de los tornillos estén en el cuello estrecho de la ranura de la cerradura.



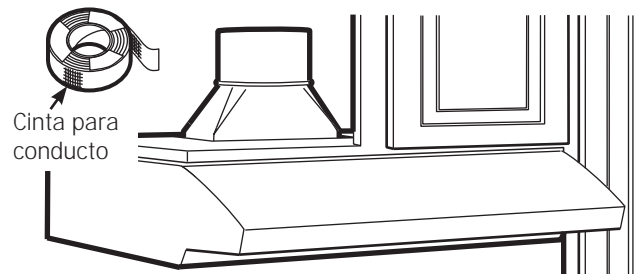
NOTA: NO PRESIONE LA PALETA DEL VENTILADOR. Presionar la paleta podrá hacer que ésta interfiera con otras partes de la campana.

17 CONECTE LA TUBERÍA A LA CAMPANA (Sólo para instalaciones con tubería)

En instalaciones con tubería redonda de 7", adhiera la tubería de 7" con tornillos para chapa metálica a través de los agujeros de las orejas de alineación.



Use la cinta para tuberías a fin de hacer que las juntas queden seguras y herméticas.

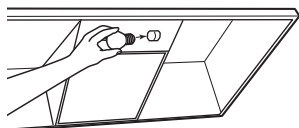


19 INSTALE LA LÁMPARA DE LUZ

NOTA: No se incluye una lámpara de luz con la campana. Obtenga una localmente. Adquiera e instale una lámpara de luz incandescente tipo A15 con una base atornillada común, de no más de 60 watts, o una luz Fluorescente Compacta (CFL) tipo A17 o T2 con una base atornillada común, de no más de 13 watts.

NOTA: Use sólo lámparas incandescentes en los modelos RN328, JN327, JN328 y JV338.

IMPORTANTE: Para la instalación, y las precauciones de manipulación y descarte, consulte las instrucciones de embalaje de lámparas fluorescentes.



Al usar una lámpara de ahorro de energía en su campana GE Appliances, asegúrese de usar:



GE Long Life Energy
Smart™ Spiral® T2
Código del Producto: 85383
Descripción:
FLE13HT2/2/SW/CD



GE Long Life Energy
Smart™ A17
Código del Producto: 47486
Descripción:
FLE11/2/A17XL/CD

Disponibles en
www.gelighting.com

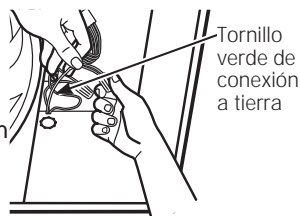
20 CUMPLA CON EL CÓDIGO DE ELECTRICIDAD

Complete el cableado eléctrico de acuerdo con el Código Nacional de Electricidad y los códigos locales.

NOTA: Esta campana deberá estar conectada a tierra de forma permanente. Conecte el cableado del hogar (120 VAC) al cableado de la campana.

21 CONECTE EL CABLEADO

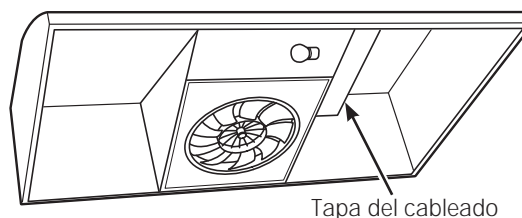
Conecte el cable negro del hogar al cable negro de la campana, el cable blanco del hogar al cable blanco de la campana y el cable a tierra del hogar debajo del tornillo de conexión a tierra verde. Ajuste de forma segura la clavija con amortiguador de refuerzo al cableado del hogar.



ADVERTENCIA

LA CONEXIÓN INADECUADA DEL CABLEADO HOGAREÑO DE ALUMINIO A LAS GUÍAS DE COBRE PUEDEN PRODUCIR UN PROBLEMA GRAVE. USE SÓLO CONECTORES DISEÑADOS PARA UNIR EL COBRE CON EL ALUMINIO Y SIGA EL PROCEDIMIENTO RECOMENDADO POR EL FABRICANTE DE FORMA DETENIDA.

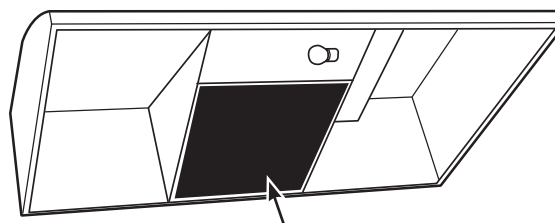
22 REEMPLACE EL CABLE DE COBRE



Tapa del cableado

23 REEMPLACE EL FILTRO

Asegúrese de que la paleta del ventilador gire libremente y reemplace el filtro. **NOTA:** Instale el filtro de grasa metálico si está conectado con una tubería o el filtro de carbón si está recirculado.



Filtro de grasa metálico o filtro de carbón

La instalación está completa. Encienda la corriente desde el panel de servicio, y controle que el funcionamiento sea correcto.

LISTA DE CONTROL PARA LA SOLUCIÓN DE PROBLEMAS

Si la campana parece estar funcionando en alta velocidad cuando el control no está en la configuración alta, o si la ventilación parece inadecuada, controle lo siguiente:

- Aberturas no retiradas de la campana.
- La paleta del regulador no está funcionando.
- Flujo de aire reducido debido a que el conducto es demasiado pequeño o la longitud del conducto es demasiado extensa.
- El conducto está bloqueado.
- La pared o la tapa del techo no coinciden con el tamaño o están restringidas.

Si la campana parece estar produciendo demasiado ruido:

- El ventilador puede estar golpeando el filtro. Apague el ventilador y retire el filtro. Incline el filtro hacia abajo levemente desde el centro (en forma de cúpula) para permitir el despeje del ventilador. Reinstale y ajuste según sea necesario.

El ventilador no funciona pero las luces sí:

- Apague el interruptor del panel del servicio y bloquee el suministro del servicio a fin de evitar que la corriente se active en forma accidental. Cuando el suministro del servicio no pueda ser bloqueado, ajuste de forma segura un dispositivo de advertencia visible, tal como una etiqueta, al panel del servicio.
- Controle las conexiones de los cables. Consulte la sección de CONEXIÓN DEL CABLEADO en estas Instrucciones de Instalación.

Consejos para la Solución de Problemas... Antes de solicitar el servicio técnico

¡Ahorre tiempo y dinero! Primero revise los cuadros que aparecen en las siguientes páginas y es posible que no necesite solicitar reparaciones.

Problema	Causas posibles	Qué hacer
El Ventilador/ la Luz no funciona	El fusible puede haberse quemado o el interruptor decircuitos puede haber saltado.	Cambie los fusibles o reconfigure el interruptor de circuitos.
Ruido de flujo de aire muy elevado o anormal	Tamaño de conducto incorrecto utilizado en la instalación.	El uso de un conducto más pequeño hará que la ventilación se reduzca. Minimice la longitud del conducto y el número de transiciones y codos. Los técnicos de GE Appliances no pueden corregir este problema si hay una instalación inadecuada.
El ventilador no hace circular aire o desplaza el aire más despacio que lo normal y/o hace ruido de flujo de aire elevado o anormal	Obstrucciones en el conducto.	Verifique que no haya obstrucciones en la ventilación. Controle que la cubierta de pared o casquete de techo tengan una hoja o puerta.
	El filtro de grasa metálico y el filtro de carbón (si lo hubiera) pueden estar sucios.	Asegúrese de que el regulador de tiro se mueva libremente. Las hojas del regulador de tiro pueden darse vuelta y no se abrirán por completo cuando esto suceda. Ajustela con la posición original.
	Es posible que el filtro de grasa metálico y el filtro de carbón (de estar presentes) estén sucios.	Limpie el filtro de grasa metálico y vuelva a colocar el filtro de carbón (si lo hubiera). Ver Cuidado y limpieza de la campana de ventilación.
	Insuficiente reposición (reemplazo) de aire	Se requiere suficiente reposición (reemplazo) de aire para que los artefactos con salida de aire funcionen de acuerdo con sus calificaciones energéticas. Controle los códigos locales de construcción, que podrán requerir o aconsejar enfáticamente el uso de reposición de aire. Para acceder soluciones de aire disponibles, visite GEAppliances.com .
Falla temprana de la lámpara	El voltaje de la lámpara es demasiado alto.	Reemplace la misma por una con el voltaje correcto.