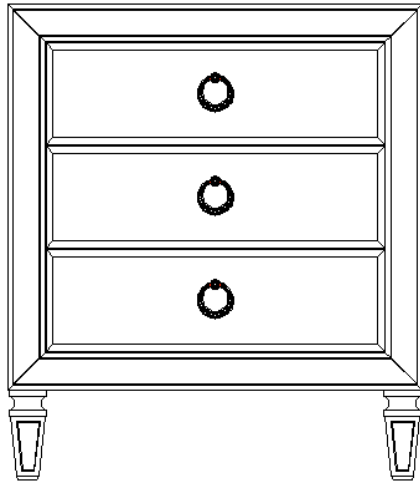






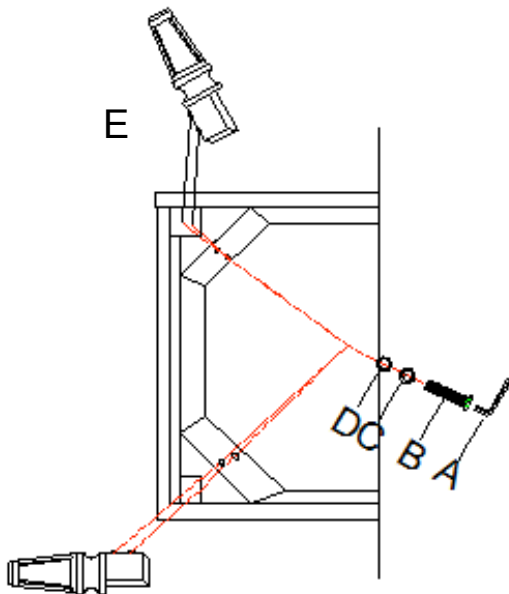
# ASSEMBLY INSTRUCTION

Item#: 5414-90016 Three-Drawer Nightstand

\*\* Please make sure you have all parts indicated below prior to assembly.  
**This Nightstand is heavy and can best be assembled with the help of two or more persons.**



| NO. | HARDWARE LIST   |              | Q'TY |
|-----|---|--------------|------|
| A   |  | Allen Wrench | 1    |
| B   |  | Bolt         | 8    |
| C   |  | Lock Washer  | 8    |
| D   |  | Flat Washer  | 8    |



**DIAGRAM 1**

## **Assembly Steps for Nightstand legs :**

1. Place Nightstand top upside down on a soft surface to prevent it from being scratched.
2. Attach one leg (E) to bottom rail by using 2 bolts (B), 2 lock washers (C), 2 flat washers (D), and secure by turning with Allen Wrench (A) in a clockwise direction. Please follow the number on leg and corner block (See diagram 1).
3. Attach the other three legs in the same way as step 2.
4. Turn the Nightstand upright.

**Caution: Do not over tighten.**

***Cleaning Instruction: Clean finished parts with a damp cloth using a mild dishwashing liquid and water solution. Polish the finish with soft cloth and an industry recognized furniture polish.***