



# ASSEMBLY INSTRUCTION

**HOOKER**  
— FURNITURE —

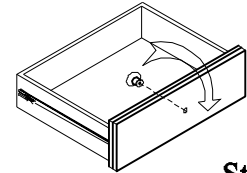
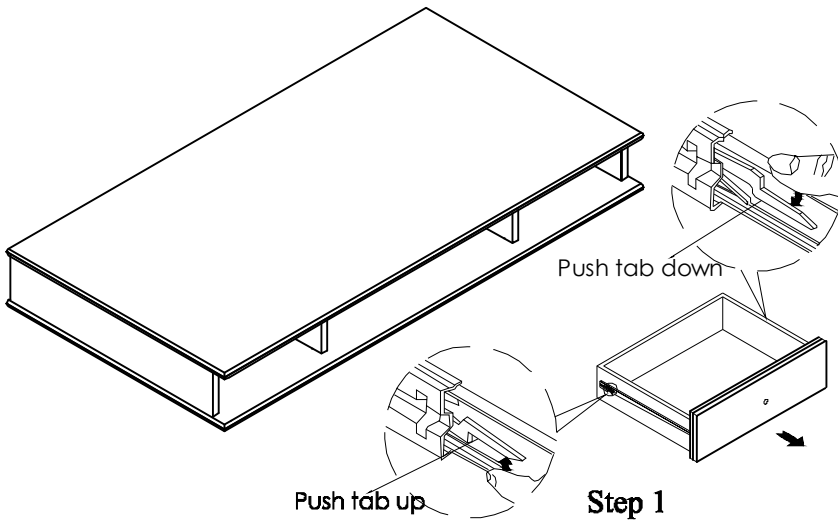
Item: 1641-10458-LTWD  
WRITING DESK

Thank you for purchasing this quality product. Be sure to unpack carefully looking for small parts which may have come loose during shipment.

Read all instruction and study the drawing carefully before starting the assembly process:

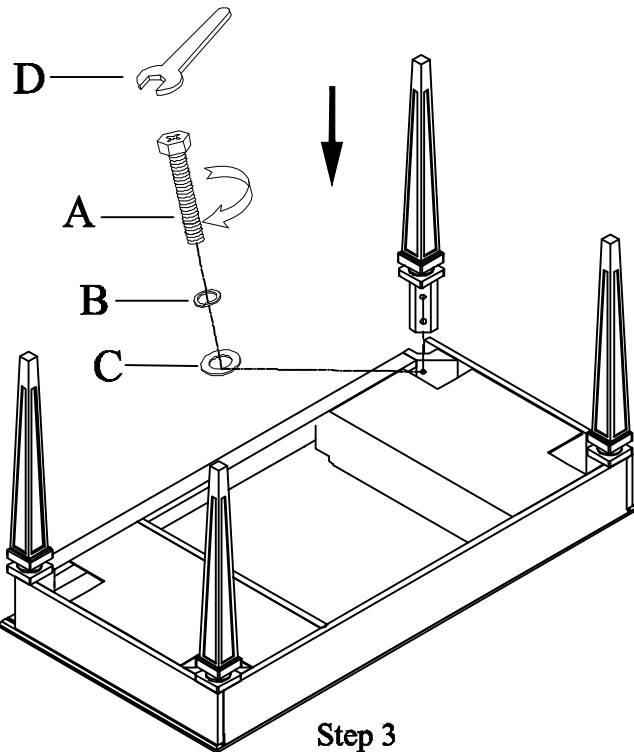
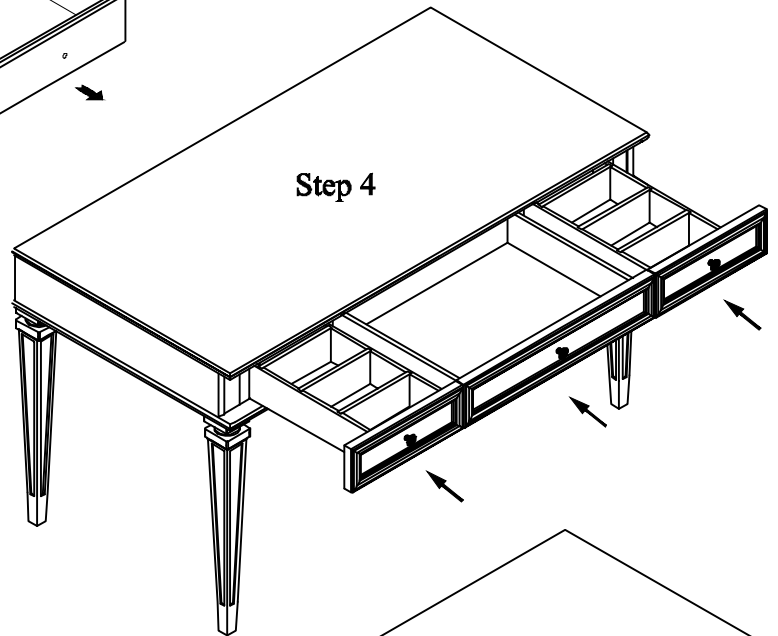
## HARDWARE PACK

NO	DRAWING	DESCRIPTION	SIZE	QTY
A		Hexagonal Bolt	$\Phi 5/16" \times 2-1/4"$	8pcs
B		Lock Washer	$\Phi 5/16" \times 12 \times 3$	8pcs
C		Flat Washer	$\Phi 5/16" \times 19 \times 2$	8pcs
D		Open Wrench	12mm	1pc



Note: the pull need to assembly to the drawer front

Step 4



Step 5

Complete

