

BAYBERRY DINING CHAIR

Model #4783-802 Dark Cherry

Model #4766-802 Oak Finish

Date: 09-13-06

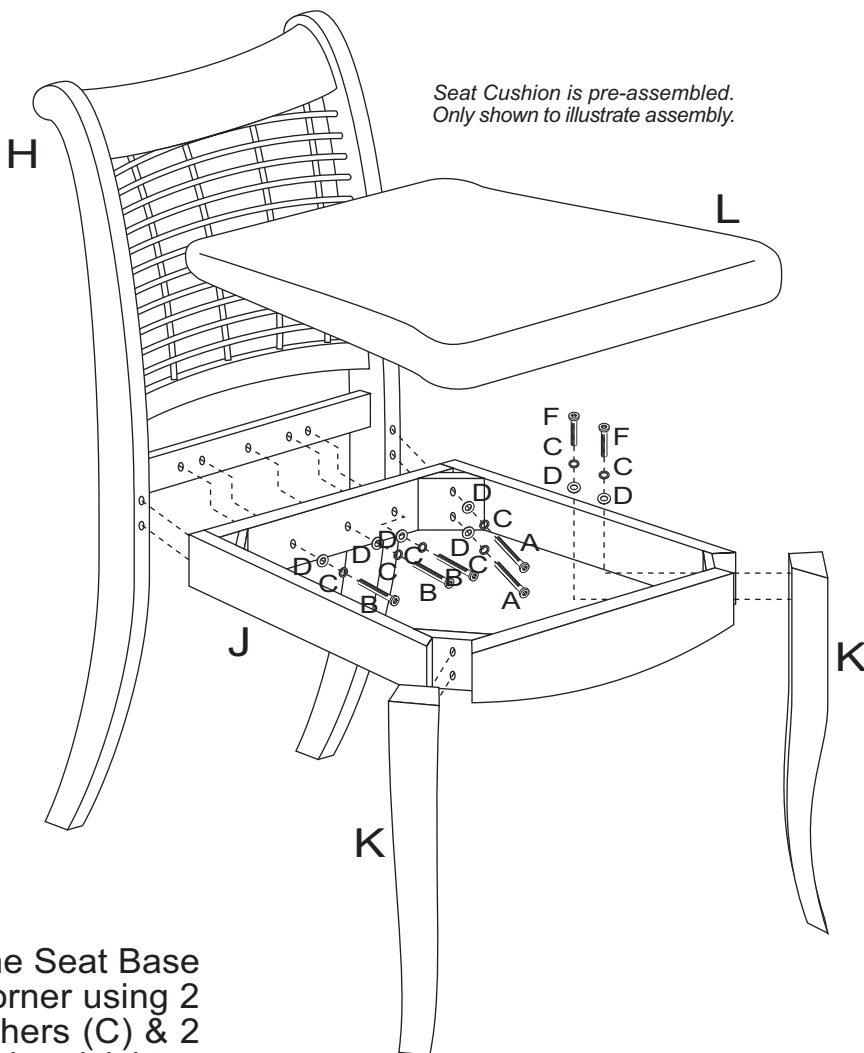
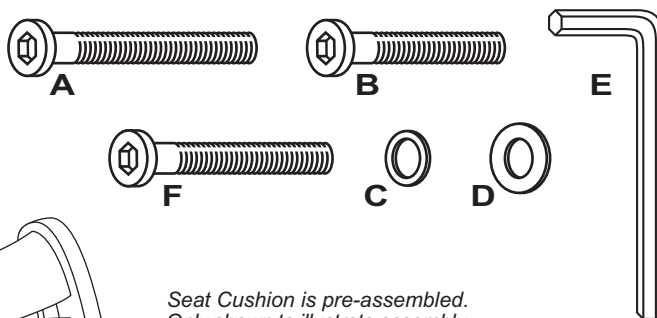
Examine all packaging material for small parts that may have come loose during shipment. Periodic checks are recommended to insure that all components are in proper position, tight and free from damage. Keep this assembly instruction for future reference. Adult assembly is required. Online Parts Request: parts.request@hillsdalefurniture.com - Customer Service Phone Number: 502-562-0000

HARDWARE LIST

- A (4) Long Allen Bolts 1/4" x 2-3/4"
- B (3) Short Allen Bolts 1/4" x 1-1/2"
- C (11) Spring Washers 1/4"
- D (11) Flat Washers 1/4"
- E (1) Allen Wrench
- F (4) Medium Allen Bolts 1/4" x 1-3/4"

PARTS LIST

- H (1) Chair Back
- J (1) Seat Base
- K (2) Front Legs
- L (1) Seat Cushion



This is a generic drawing of the original item you have purchased.

***** ASSEMBLY *****

STEP 1

Begin assembly by first attaching the Seat Base (J) to the Chair Back (H) at each corner using 2 Long Allen Bolts (A), 2 Spring Washers (C) & 2 Flat Washers (D) per each side. Only hand tighten bolts for this step.

STEP 2

Insert 3 Short Allen Bolts (B), with the 3 Spring Washers (C) & 3 Flat Washers (D) into the middle holes for final rear support. Tighten all bolts from Steps 1 & 2 using the Allen Wrench (E) that has been provided.

STEP 3

Attach the Front Legs (K) to each front corner of the Seat Base (J) using 2 Medium Allen Bolts (F), 2 Spring Washers (C) & 2 Flat Washers (D) per each leg. Tighten all bolts. The assembly is now complete.

CARE & MAINTENANCE: The touch of a soft cloth is all the maintenance the finish will ever need. Please do not use harsh or abrasive cleaners for polishing, as they may cause damage to the finish. Periodic checks are recommended to make sure that all bolts, screws and nuts are securely tightened.