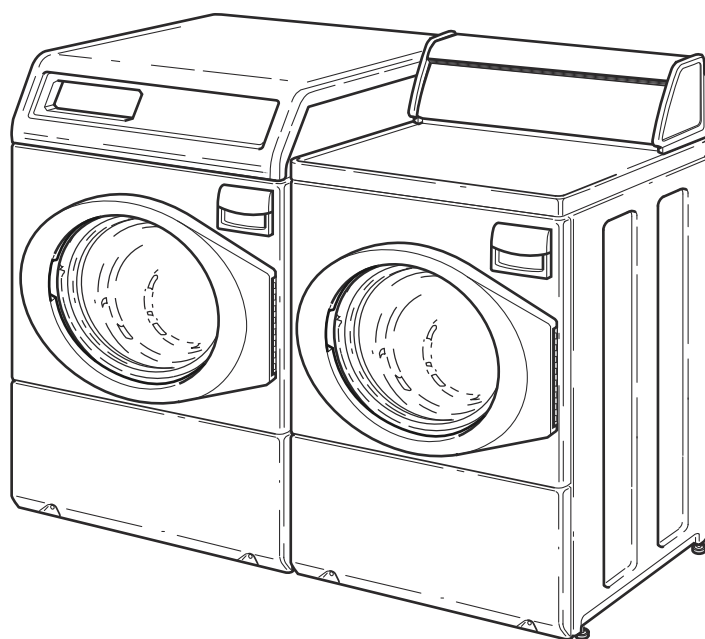


# Home Frontload Washers

Refer to Page 3 for Model Numbers



FLW2406N\_805861

Parts

**Alliance**<sup>™</sup>  
Laundry Systems

[www.alliancelandry.com](http://www.alliancelandry.com)

Part No. 805861R3  
April 2018



# Table of Contents

Title	Page
Parts Ordering Information.....	2
Serial Plate Location .....	2
Model Identification .....	3
Cabinet Top, Control Panel and Controls .....	4
Graphic Panel, Control Support Panel and Controls (Drawing 1 of 2).....	6
Graphic Panel, Control Support Panel and Controls (Drawing 2 of 2).....	8
Control Panel and Control (Drawing 1 of 2) .....	10
Control Panel and Control (Drawing 2 of 2) .....	12
Cabinet Top and Control Hood Rear Panel .....	14
Front Panel, Door Assembly and Door Seal .....	16
Dispenser Assembly .....	18
Mixing Valve and Dispenser Hose .....	20
Outer Tub, Front and Clamp Ring.....	22
Inner Basket, Trunnion, Bearing Housing and Pulley .....	24
Motor and Belt.....	26
Drain Hose and Pump.....	28
Base, Side and Rear Panels.....	30
Special Tools .....	32
Labels .....	34
Shipping Materials .....	36
Wire Ties, Harness Clips and Lead-In Cord.....	38
Wire Harnesses and Wires .....	40
Parts Index.....	43

© Copyright 2018, Alliance Laundry Systems LLC

All rights reserved. No part of the contents of this book may be reproduced or transmitted in any form or by any means without the expressed written consent of the publisher.

## Parts Ordering Information

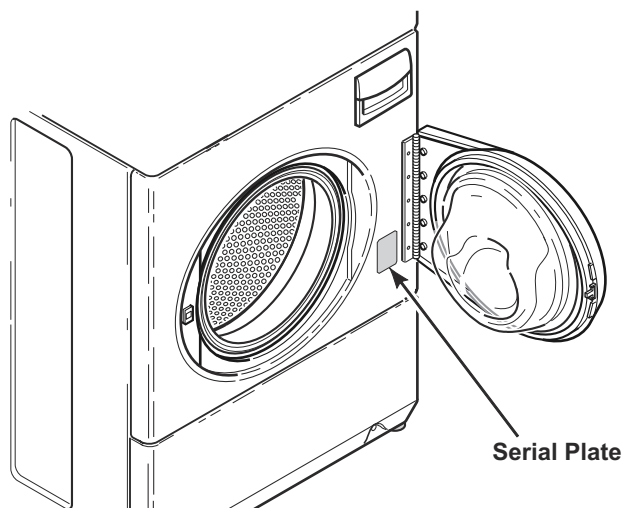
If literature or replacement parts are required, contact the source from whom the machine was purchased or contact Alliance Laundry Systems at (920) 748-3950 for the name and address of the nearest authorized parts distributor.

For technical assistance, call the number listed below:

(920) 748-3121 Ripon, Wisconsin

## Serial Plate Location

When calling or writing about your product, be sure to mention model and serial numbers. Model and serial numbers are located on serial plate(s) as shown.



FLW2407N\_805861

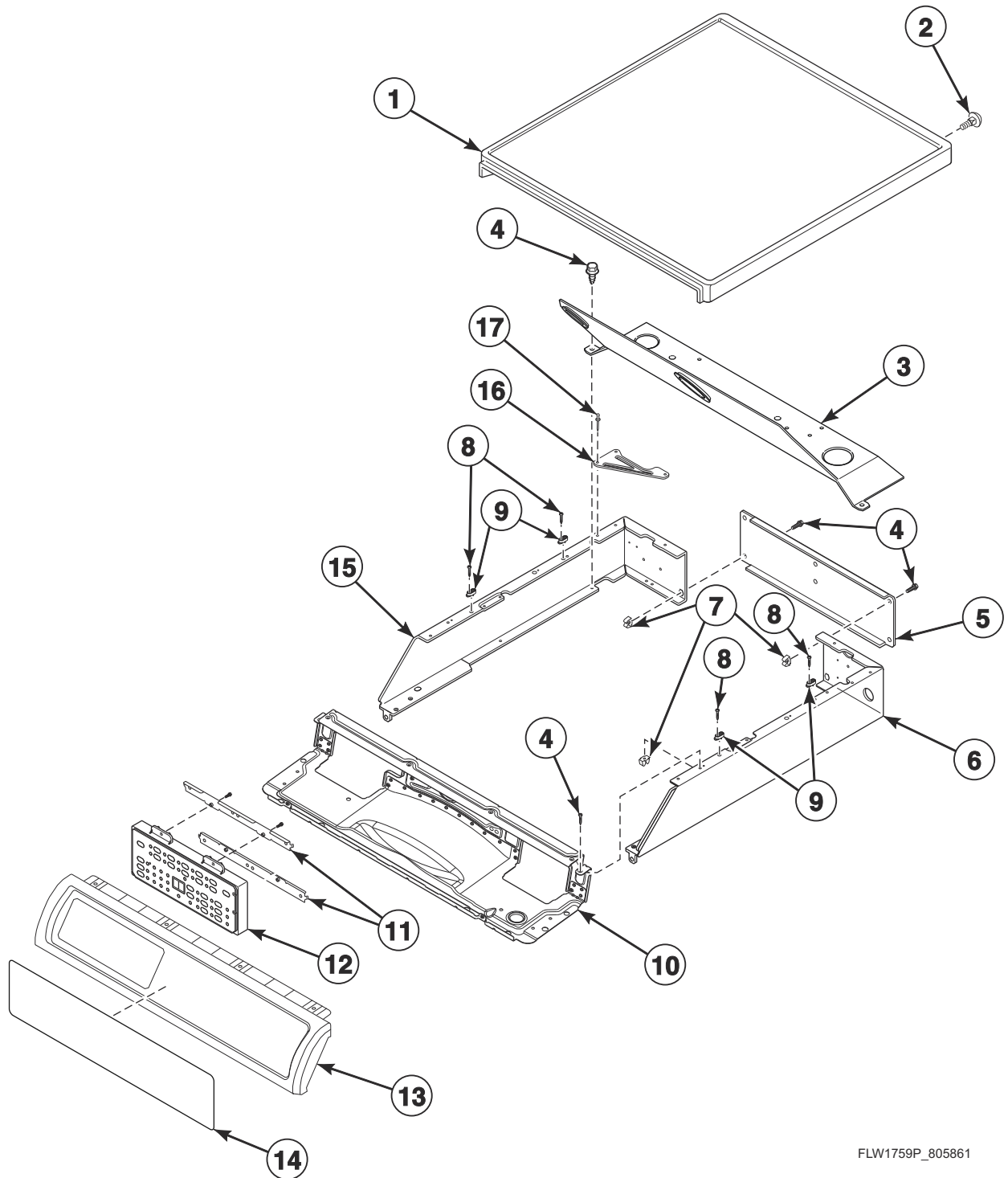
## Model Identification

Information in this manual is applicable to these washer models:

AFN50RSP113TW01  
AFN50RSP115TW01  
AFN50RSP115TW13  
AFNE9BSP113TN01  
AFNE9BSP113TW01  
AFNE9BSP115TN13  
AFNE9BSP115TW01  
AFNE9BSP115TW13  
AFNE9RSP113TW01  
AFNE9RSP115TW01  
AFNE9RSP115TW13

# Cabinet Top, Control Panel and Controls

Models AFNE9BSP113TN01, AFNE9BSP113TW01, AFNE9BSP115TN13, AFNE9BSP115TW01 and AFNE9BSP115TW13



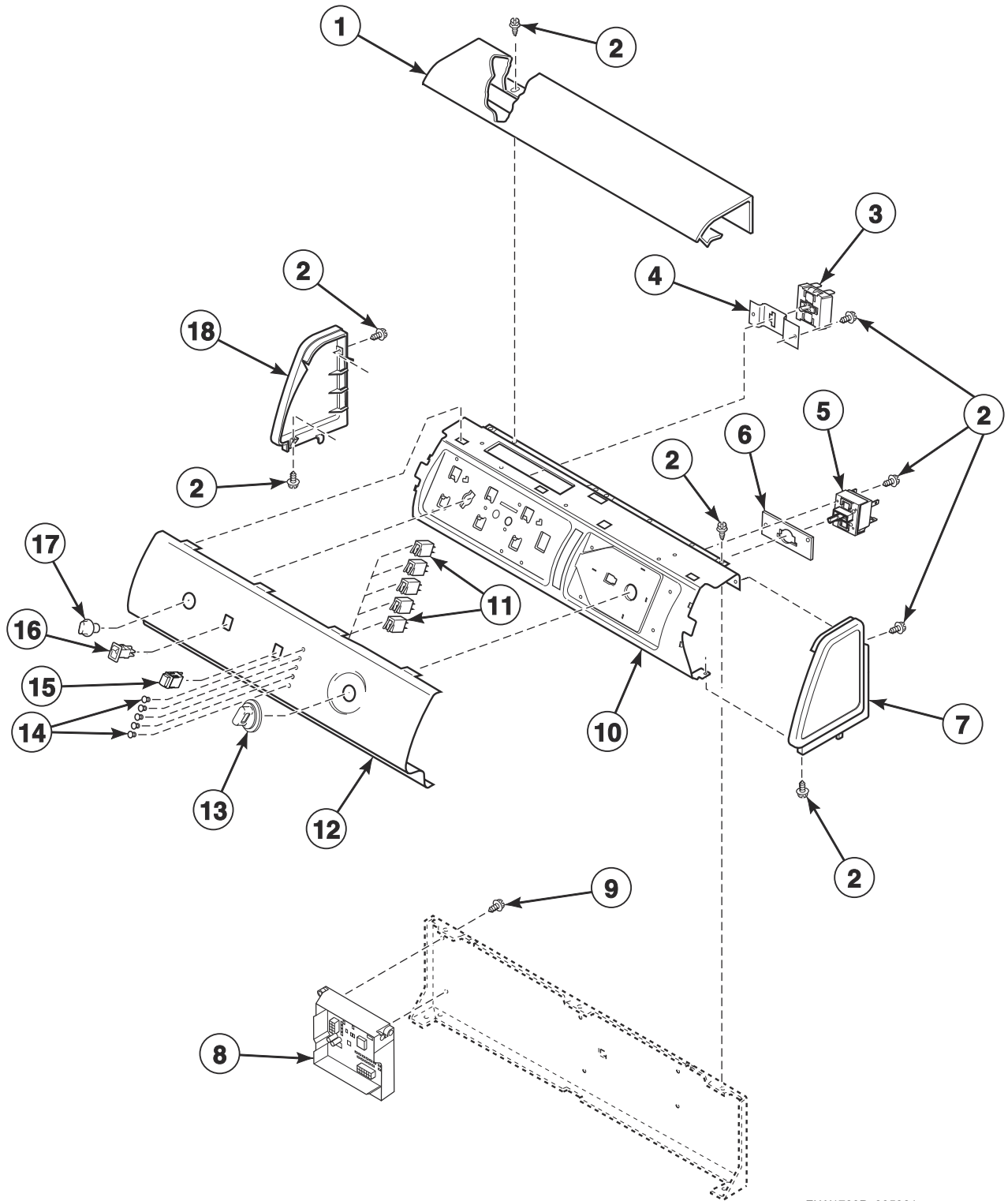
FLW1759P\_805861

## Cabinet Top, Control Panel and Controls

REF	PART NO.	DESCRIPTION	COMMENTS
1	804684	Top Panel	Models AFNE9BSP113TN01 and AFNE9BSP115TN13
	804685WP	Top Panel	Models AFNE9BSP113TW01, AFNE9BSP115TW01 and AFNE9BSP115TW13
2	29651	Bolt	
3	804363	Control Shield	
4	D503688	Screw	
5	804614	Rear Access Panel	
6	804630B	Control Wrapper	Right; Models AFNE9BSP113TN01 and AFNE9BSP115TN13
	804630W	Control Wrapper	Right; Models AFNE9BSP113TW01, AFNE9BSP115TW01 and AFNE9BSP115TW13
7	70030501	Expansion Clip	
8	39733	Screw	
9	803761	Top Panel Guide	
10	804613	Top Panel Brace Assembly	
11	804611	Control Bracket	
12	805219P	Control Assembly	
13	804660	Control Panel Assembly	Models AFNE9BSP113TN01 and AFNE9BSP115TN13
	804659W	Control Panel Assembly	Models AFNE9BSP113TW01, AFNE9BSP115TW01 and AFNE9BSP115TW13
14	806169	Control Overlay	Models AFNE9BSP113TN01, AFNE9BSP115TN13, AFNE9BSP115TW01 and AFNE9BSP115TW13
	804490	Control Overlay	Model AFNE9BSP113TW01
15	804627B	Control Wrapper	Left; Models AFNE9BSP113TN01 and AFNE9BSP115TN13
	804627W	Control Wrapper	Left; Models AFNE9BSP113TW01, AFNE9BSP115TW01 and AFNE9BSP115TW13
16	805345	Rear Wrapper Brace	
17	685847	Pop Rivet	

# Graphic Panel, Control Support Panel and Controls (Drawing 1 of 2)

Model AFN50RSP113TW01



FLW1760P\_805861

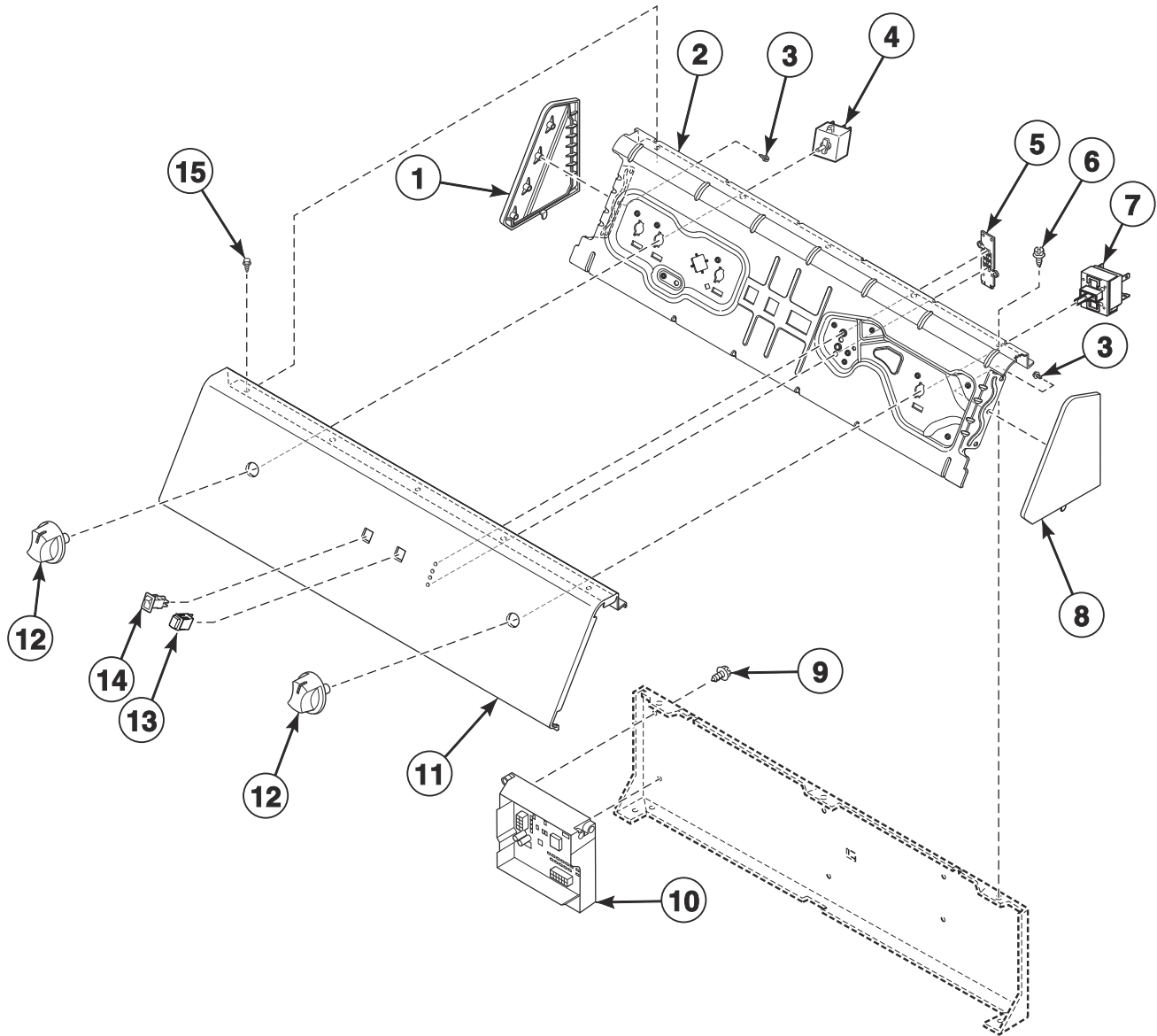


## Graphic Panel, Control Support Panel and Controls (Drawing 1 of 2)

REF	PART NO.	DESCRIPTION	COMMENTS
1	D505808W	Top Cover	
2	D501086	Screw	
3	35115	Temperature Switch	
4	800669	Temperature Switch Bracket	
5	801240	Cycle Switch	
6	801390	Cycle Switch Bracket	
7	D504008WP	End Panel	Right
8	804474P	Control Assembly	
9	685837	Screw	
10	801388	Control Support Panel	
11	801356	Indicator Light	Green
12	805109W	Graphic Panel	
13	803168P	Knob Assembly	
14	801435	Indicator Light Lens	
15	801434W	Push-to-Start Switch	
16	38424W	Rocker Switch	Extra rinse
17	803119P	Control Knob Assembly	
18	D504009WP	End Panel	Left

# Graphic Panel, Control Support Panel and Controls (Drawing 2 of 2)

Models AFN50RSP115TW01 and AFN50RSP115TW13



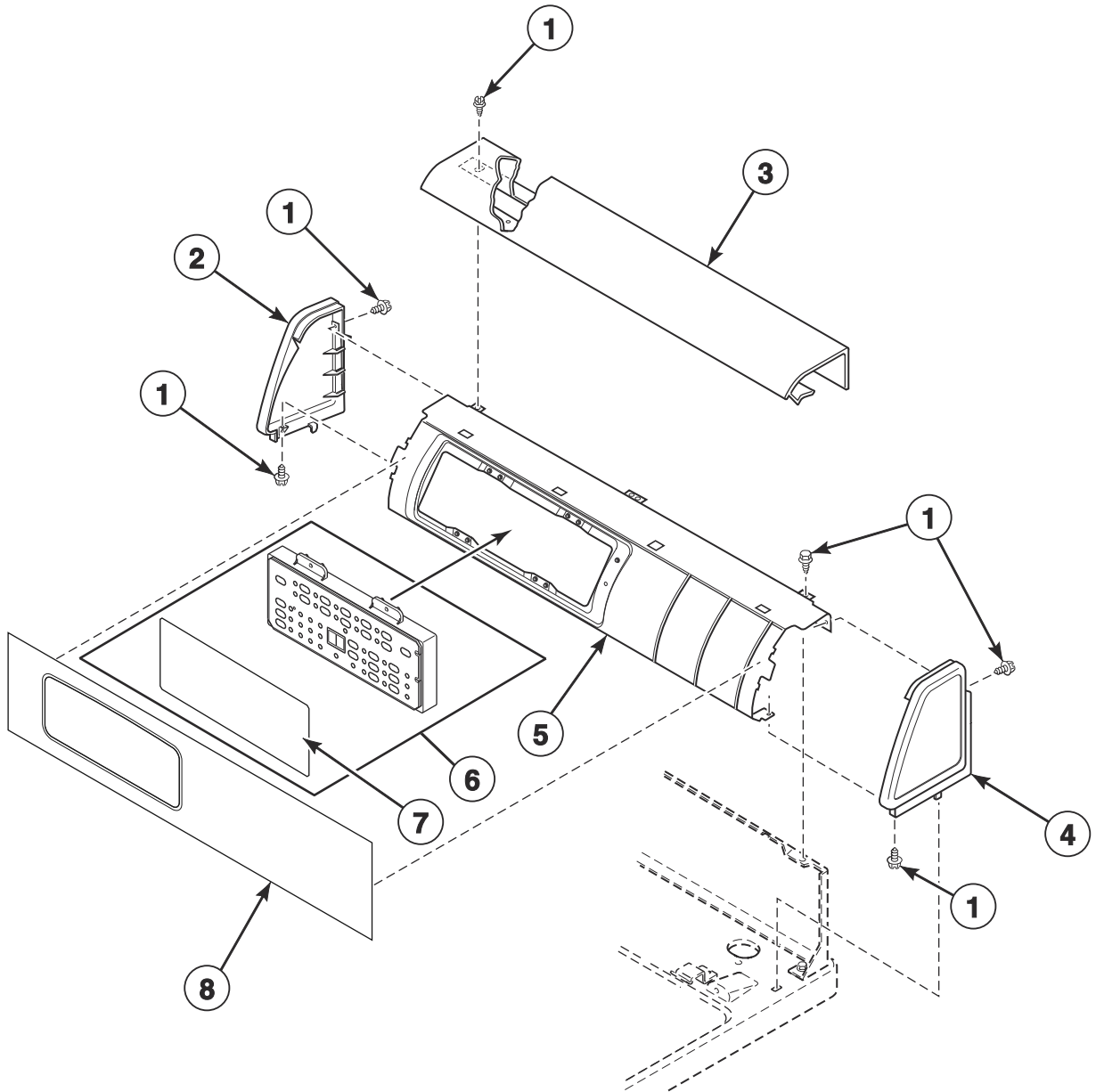
FLW1822P\_805861

## Graphic Panel, Control Support Panel and Controls (Drawing 2 of 2)

REF	PART NO.	DESCRIPTION	COMMENTS
1	203730W	End Cap	Left
2	806547	Control Support Panel	
3	203799	Screw	
4	35115	Temperature Switch	
5	203849	LED Display Assembly	
6	D501086	Screw	
7	203976	Cycle Selector Switch	
8	203729W	End Cap	Right
9	804608	Screw	
10	804474P	Control Assembly	
11	806708	Graphic Panel	
12	806597	Knob Assembly	
13	203935	Push Button Switch	
14	203934	Rocker Switch	
15	204340	Screw	

# Control Panel and Control (Drawing 1 of 2)

Model AFNE9RSP113TW01



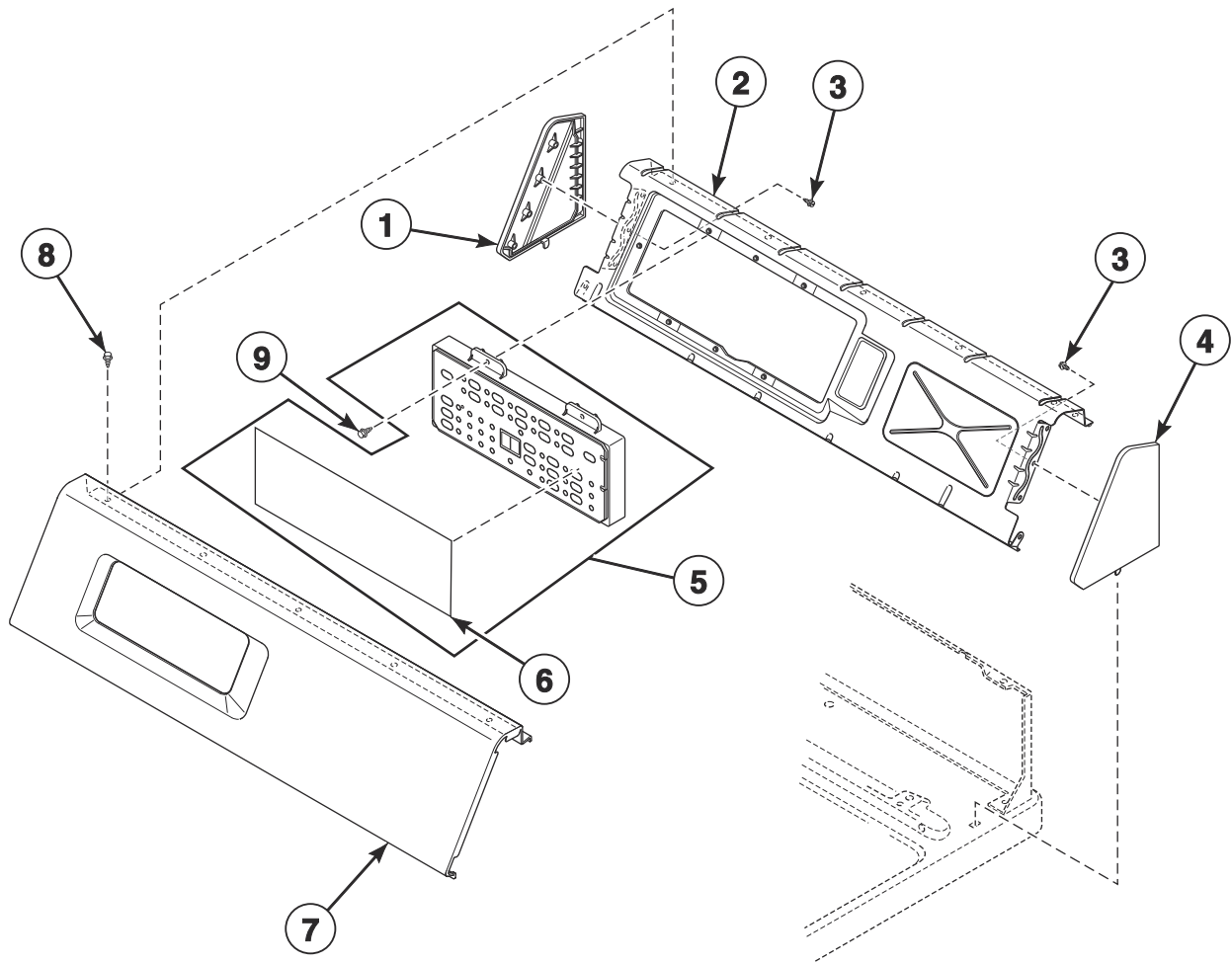
FLW1762P\_805861

## Control Panel and Control (Drawing 1 of 2)

REF	PART NO.	DESCRIPTION	COMMENTS
1	D501086	Screw	
2	D504009WP	End Panel	Left
3	D505808W	Top Cover	
4	D504008WP	End Panel	Right
5	804836	Control Support Panel	
6	804519P	Control Assembly	Includes item 7
7	804238	Overlay	
8	804565	Graphic Panel	

# Control Panel and Control (Drawing 2 of 2)

Models AFNE9RSP115TW01 and AFNE9RSP115TW13



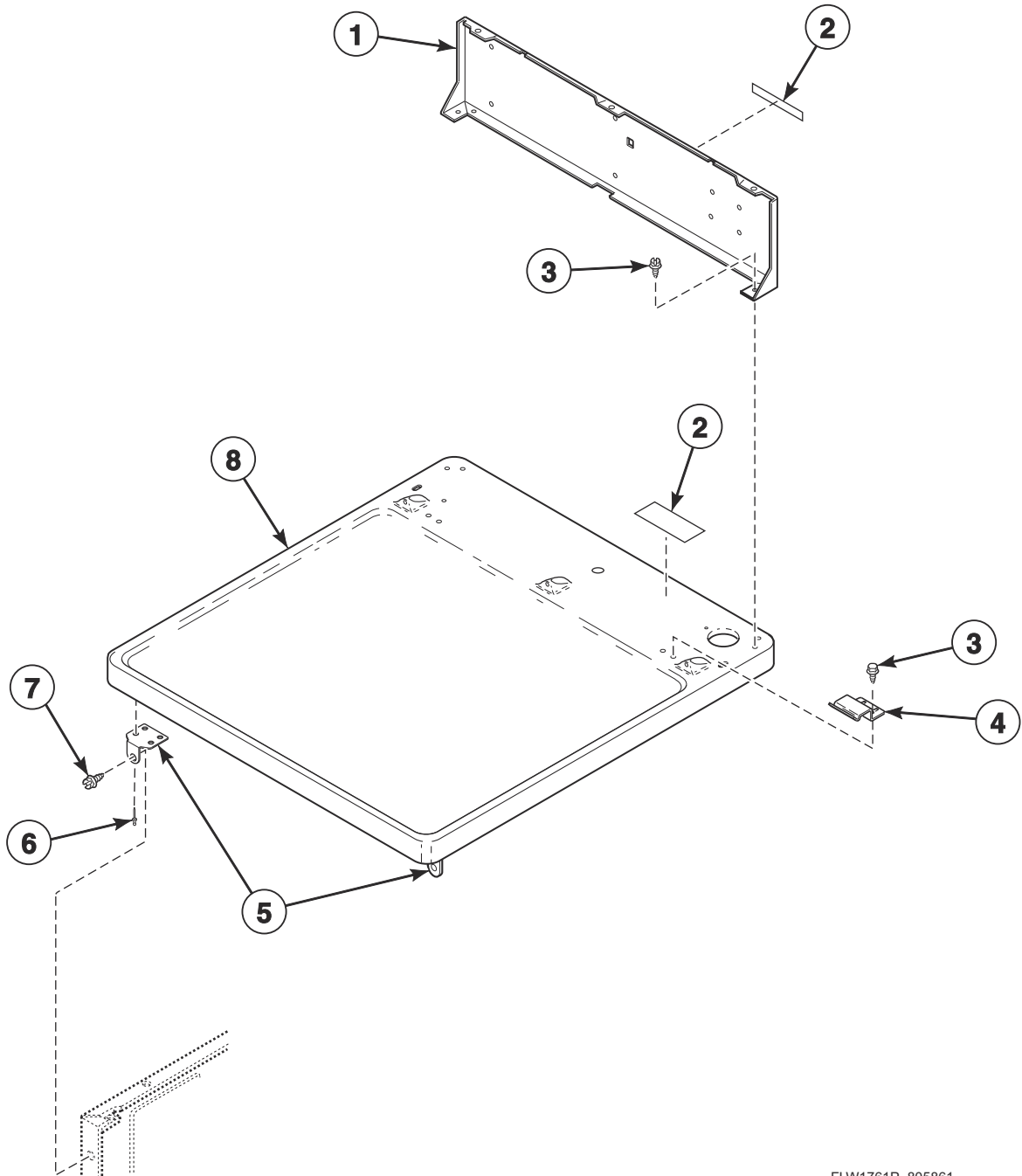
FLW1823P\_805861

## Control Panel and Control (Drawing 2 of 2)

REF	PART NO.	DESCRIPTION	COMMENTS
1	203730W	End Cap	Left
2	806430	Control Support Panel	
3	203799	Screw	
4	203729W	End Cap	Right
5	806800	Control Assembly	Includes item 6
6	806568	Overlay	
7	806715	Graphic Panel	
8	204340	Screw	
9	804667	Screw	

# Cabinet Top and Control Hood Rear Panel

Models AFN50RSP113TW01, AFN50RSP115TW01, AFN50RSP115TW13, AFNE9RSP113TW01, AFNE9RSP115TW01 and AFNE9RSP115TW13



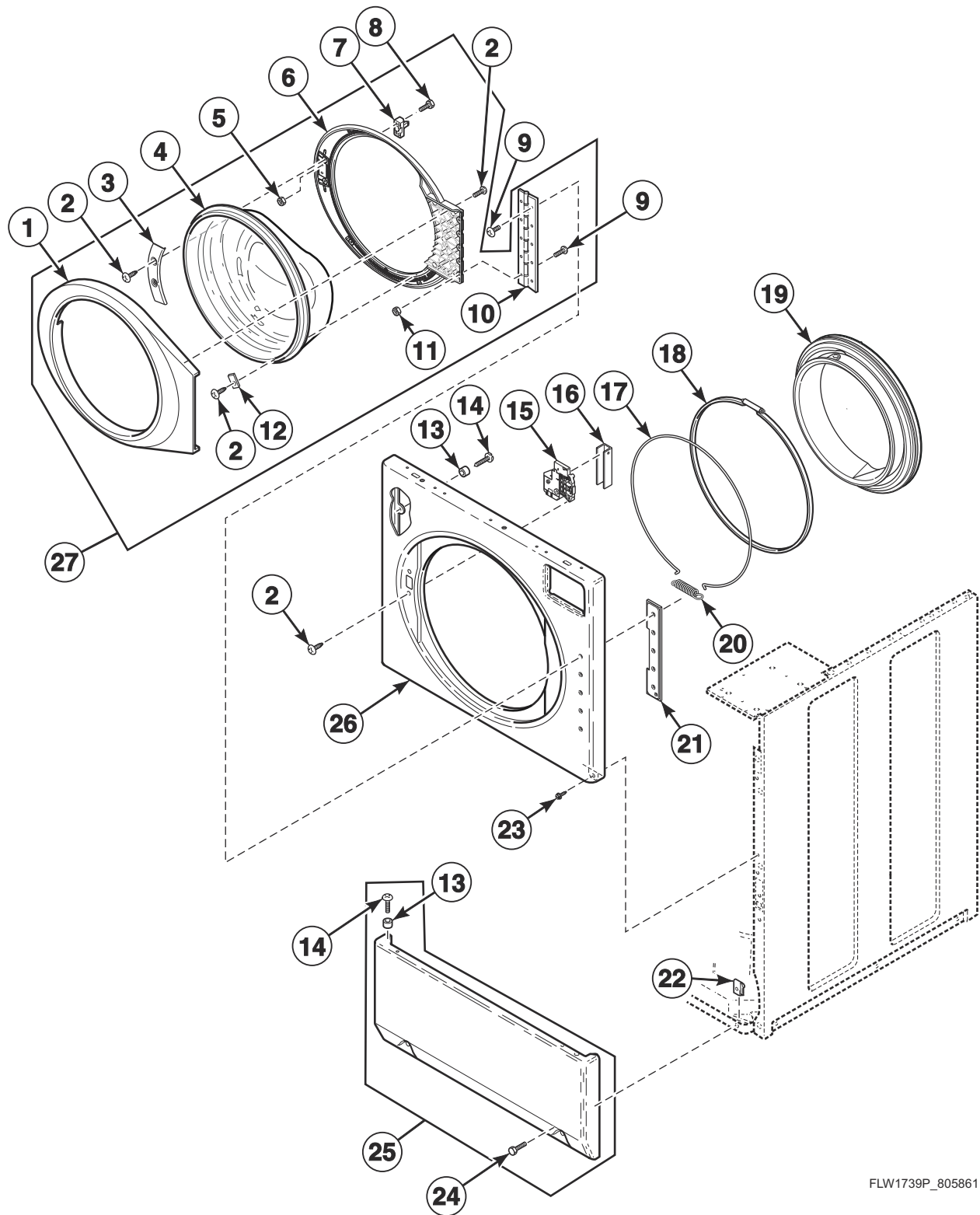
FLW1761P\_805861



## Cabinet Top and Control Hood Rear Panel

REF	PART NO.	DESCRIPTION	COMMENTS
1	804845	Hood Back Panel	Model AFN50RSP113TW01
	804169	Hood Back Panel	Model AFNE9RSP113TW01
	806593	Hood Back Panel	Models AFN50RSP115TW01 and AFN50RSP115TW13
	806585	Hood Back Panel	Models AFNE9RSP115TW01 and AFNE9RSP115TW13
2	D505281	Disconnect Power Warning Label	
3	D501086	Screw	
4	35358	Hold-Down Clip	
5	D510146	Bracket	
6	70058501	Pop Rivet	
7	D503661	Screw	
8	D510029WP	Top Panel Kit	

# Front Panel, Door Assembly and Door Seal

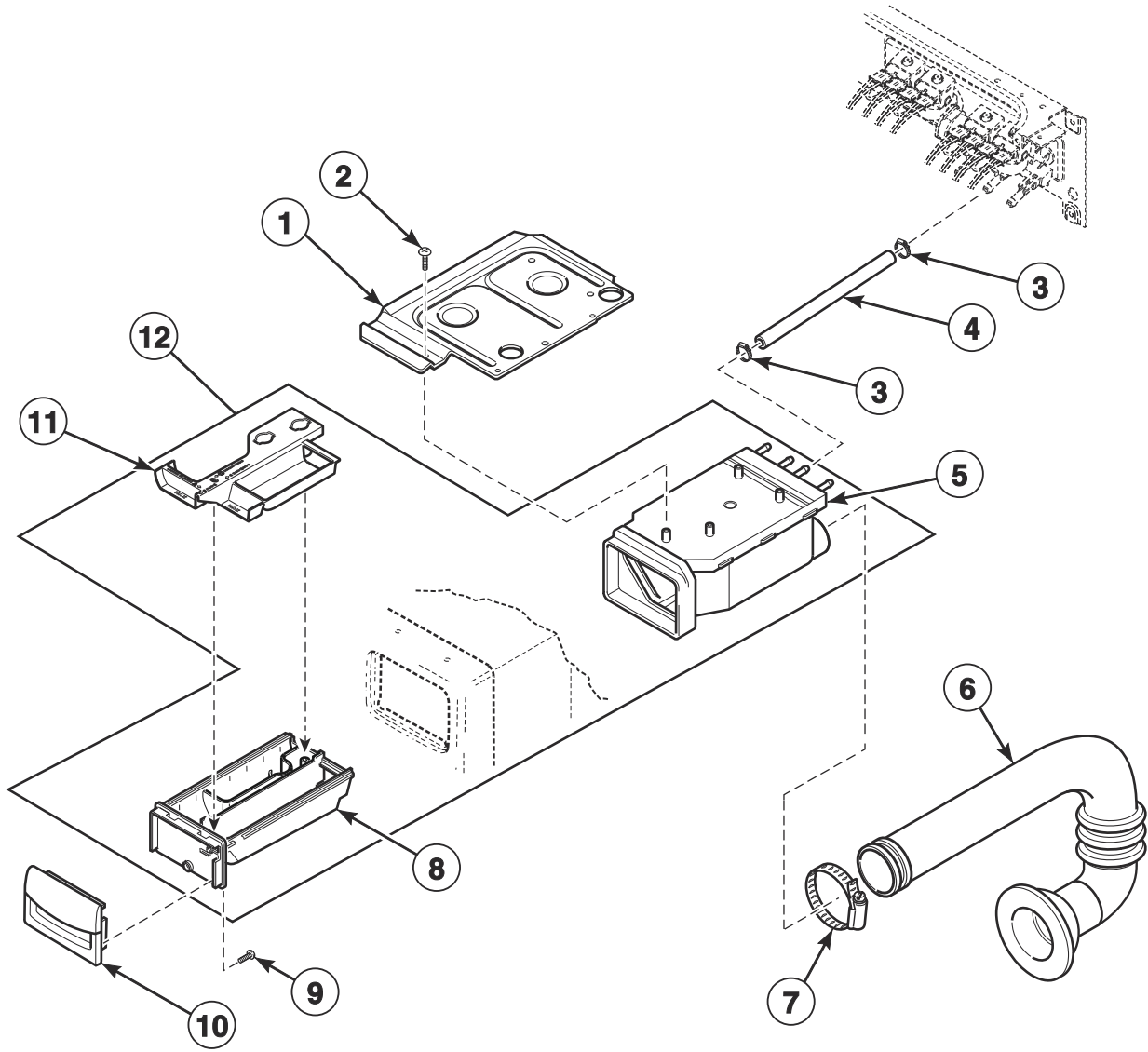


FLW1739P\_805861

## Front Panel, Door Assembly and Door Seal

REF	PART NO.	DESCRIPTION	COMMENTS
1	803710BP	Outer Door Bezel	Black; Models AFNE9BSP113TN01 and AFNE9BSP115TN13
	803710WP	Outer Door Bezel	All other models
2	800548	Screw	
3	804239	Door Glass Mounting Plate	
4	802695P	Door Glass	
5	685846	Nut	
6	802331P	Inner Door Bezel Kit	Models AFNE9BSP113TN01 and AFNE9BSP115TN13
	802307P	Inner Door Bezel Kit	All other models
	804562P	Inner Door Bezel	Glass filled polypropylene upgrade
7	802803	Door Catch Assembly	
8	801993	Screw	
9	801019	Screw	
10	802934	Door Hinge	
11	23951	Nut	
12	802700	Glass Mounting Clip	7 required
13	56079	Panel Locator	
14	D512921	Screw	Models AFNE9BSP113TN01 and AFNE9BSP115TN13
	39733	Screw	All other models
15	803920	Door Latch Assembly	
16	806713	Door Lock Shield	Models AFN50RSP115TW13, AFNE9BSP115TN13, AFNE9BSP115TW13 and AFNE9RSP115TW13
17	802283	Wire Clamp Ring	
18	802281	Hose Clamp	Seal to outer tub front
19	804428P	Door Seal	Black
	804429P	Door Seal Assembly	Gray
20	802285	Extension Spring	
21	802206	Hinge Plate	
22	36020	Nut	
23	D503661	Screw	
24	801045	Screw	
25	804618	Access Panel Assembly	Models AFNE9BSP113TN01 and AFNE9BSP115TN13
	804617W	Access Panel Assembly	All other models
26	802288P	Front Panel	Models AFNE9BSP113TN01 and AFNE9BSP115TN13
	802278W	Front Panel	Models AFN50RSP115TW13, AFNE9BSP115TW13 and AFNE9RSP115TW13
	806689	Front Panel	Model AFNE9BSP115TN13
	802277WP	Front Panel	All other models
27	805550	Door Assembly	Black; Models AFNE9BSP113TN01 and AFNE9BSP115TN13; Includes items 1-12
	804083WP	Door Assembly	White; All other models; Includes items 1-12

# Dispenser Assembly

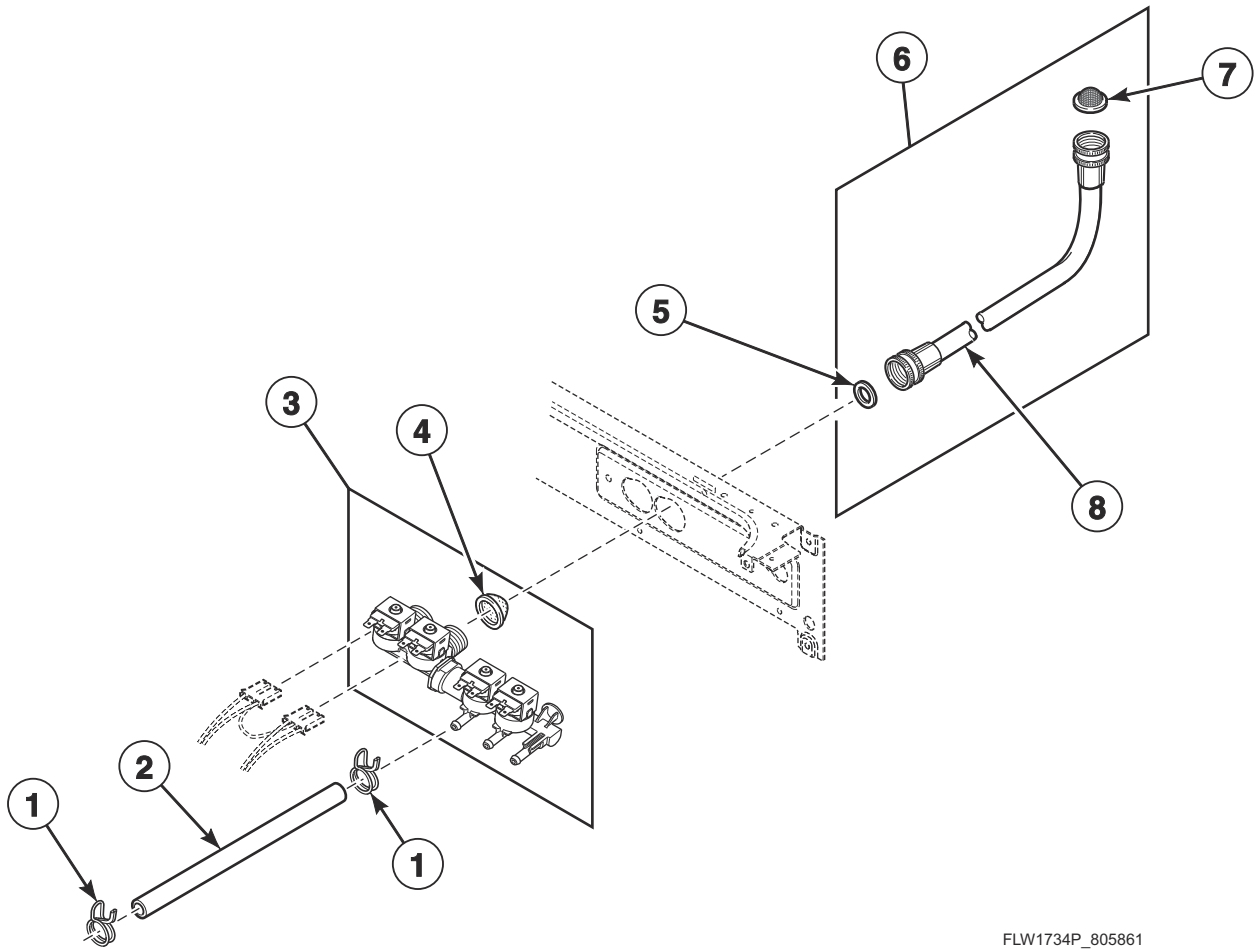


FLW1717P\_805861

# Dispenser Assembly

REF	PART NO.	DESCRIPTION	COMMENTS
	804875	Foam Pad	
1	803843	Dispenser Plate	
2	801001	Screw	
3	804173	Hose Clamp	
4	803849	Dispenser Inlet Hose	
5	803698	Dispenser Assembly	
6	804717	Detergent Hose	
7	685725	Hose Clamp	
8	803667	Dispenser Drawer	
9	800548	Screw	
10	804227WP	Dispenser Handle	
11	803670	Compartment Cover	Models AFN50RSP113TW01 and AFN50RSP115TW01
	803669	Compartment Cover	All other models
12	805494P	Dispenser Assembly	Includes items 5, 8 and 11

# Mixing Valve and Dispenser Hose

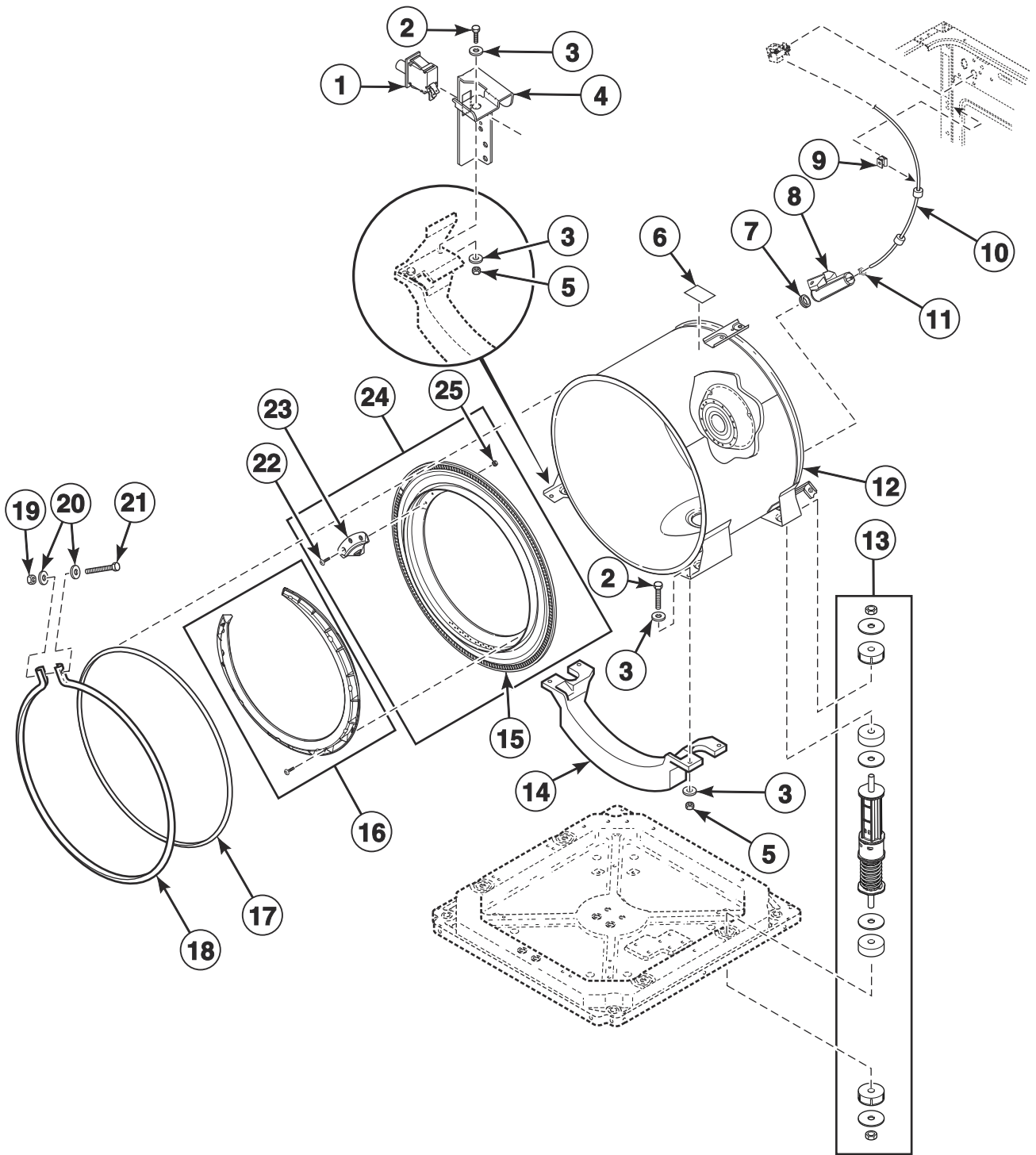


FLW1734P\_805861

## Mixing Valve and Dispenser Hose

REF	PART NO.	DESCRIPTION	COMMENTS
1	804173	Hose Clamp	
2	803849	Dispenser Inlet Hose	
3	803809	Mixing Valve	
4	24122	Mixing Valve Screen	
5	20290	Washer	
6	F200116	Water Hose	5 feet; Includes items 5, 7 and 8
7	803615	Washer	Filter screen
	802254	Washer	Flow restrictor; Water pressure reducer; Available for water pressure up to but not exceeding 120 psi
8	20617	Fill Hose	8 feet
	20618	Fill Hose	10 feet

# Outer Tub, Front and Clamp Ring



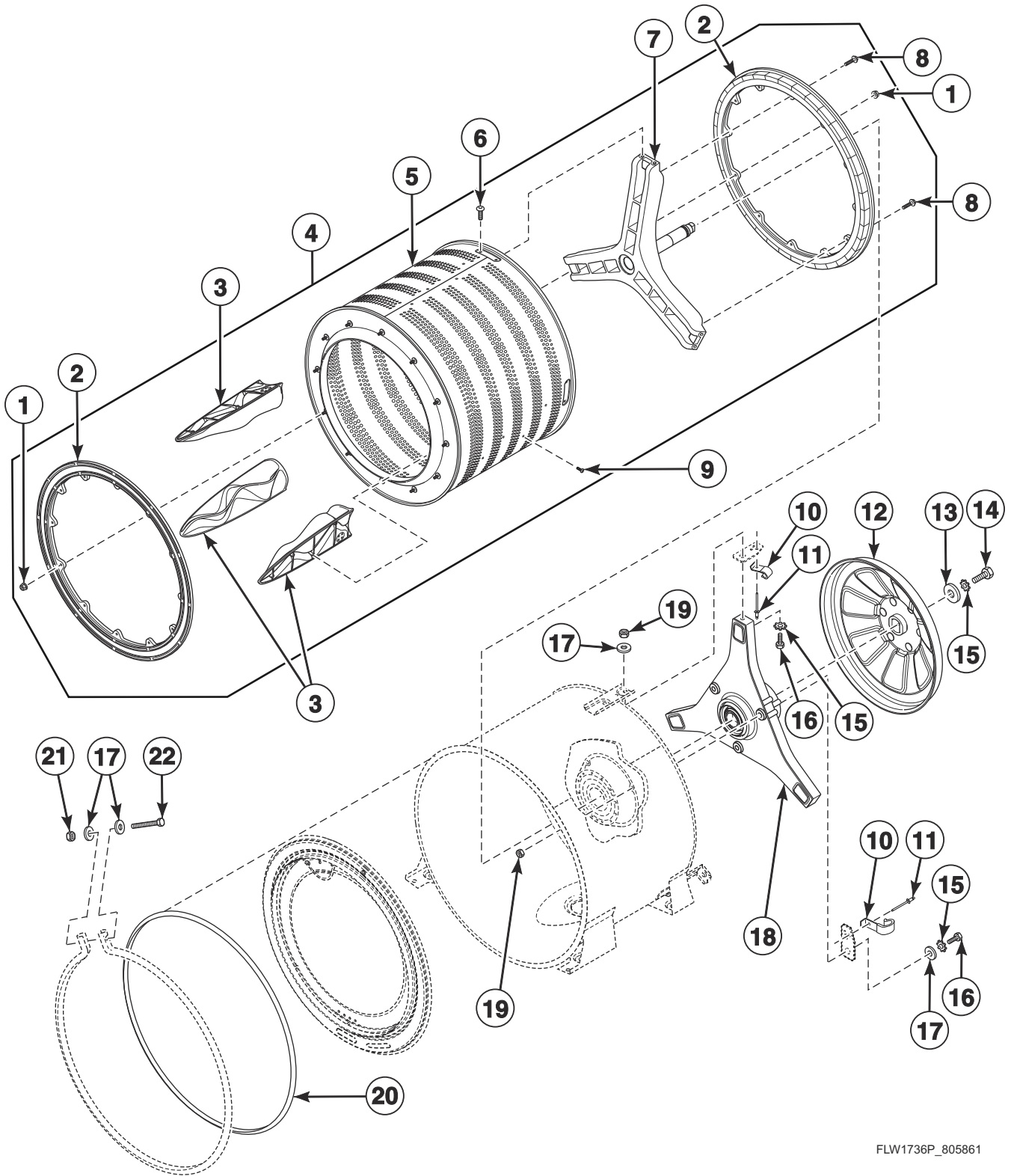
FLW1790P\_805861



## Outer Tub, Front and Clamp Ring

REF	PART NO.	DESCRIPTION	COMMENTS
1	803415	Out-of-Balance Switch Assembly	
2	800461	Screw	
3	804458	Washer	
4	804457	Out-of-Balance Switch Bracket	
5	800452	Nut	
6	D500049	Warning Label	
7	29175	Grommet	
8	803837	Pressure Bulb	
9	36985	Hose Clip	
10	804483	Pressure Sensor Tube Assembly	
11	803891	Hose Clamp	
12	803864	Outer Tub Assembly	
13	803777	Shock Assembly	Must replace all four
14	803810	Counterweight	
15	803770	Tub Front	
16	806308	Foreign Object Deflector	Black; Includes screws
	806313	Foreign Object Deflector	Gray; Includes screws
	806361	Foreign Object Deflector	Tall; Gray; Includes screws
17	803801	Tub Front Seal	
18	803802	Clamp Ring	
19	F430218	Nut	
20	M400081	Washer	
21	800462	Screw	
22	802596	Screw	
23	804467	Clothes Guard Deflector	
	805548	Clothes Guard Deflector	Heavy duty
24	803879	Tub Front Assembly	Includes items 15, 22, 23 and 25
25	802343	Nut	

# Inner Basket, Trunnion, Bearing Housing and Pulley

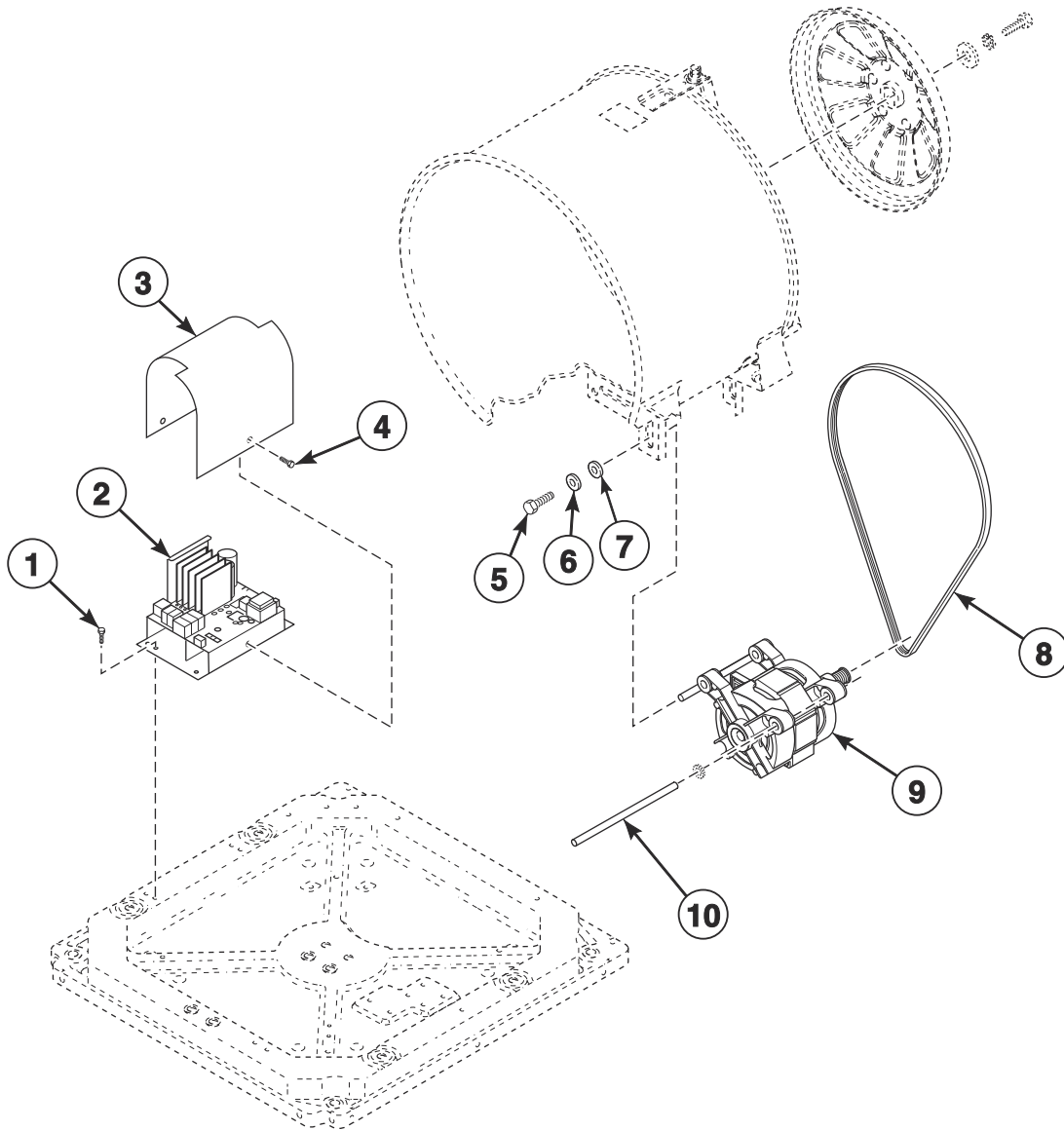


FLW1736P\_805861

## Inner Basket, Trunnion, Bearing Housing and Pulley

REF	PART NO.	DESCRIPTION	COMMENTS
	27604P	Anti-Seize Compound	Pulley to inner basket shaft
1	804418	Nut	
2	804393	Balance Ring Assembly	
3	804382	Lifter	
4	804376P	Inner Basket Assembly Kit	
5	804374P	Inner Basket Assembly	
6	804398	Screw	
7	804405	Trunnion Assembly	
8	804399	Screw	
9	800548	Screw	
10	800553	Hose Clip	
11	685847	Pop Rivet	
12	803974	Pulley Assembly	
13	800464	Washer	
14	685831	Screw	Left hand thread
15	M403958	Washer	
16	M400043	Screw	
17	M400081	Washer	
18	805525	Bearing Housing Kit	Includes hardware and tool
19	800452	Nut	
20	803801	Tub Front Seal	
21	F430218	Nut	
22	800462	Screw	

# Motor and Belt

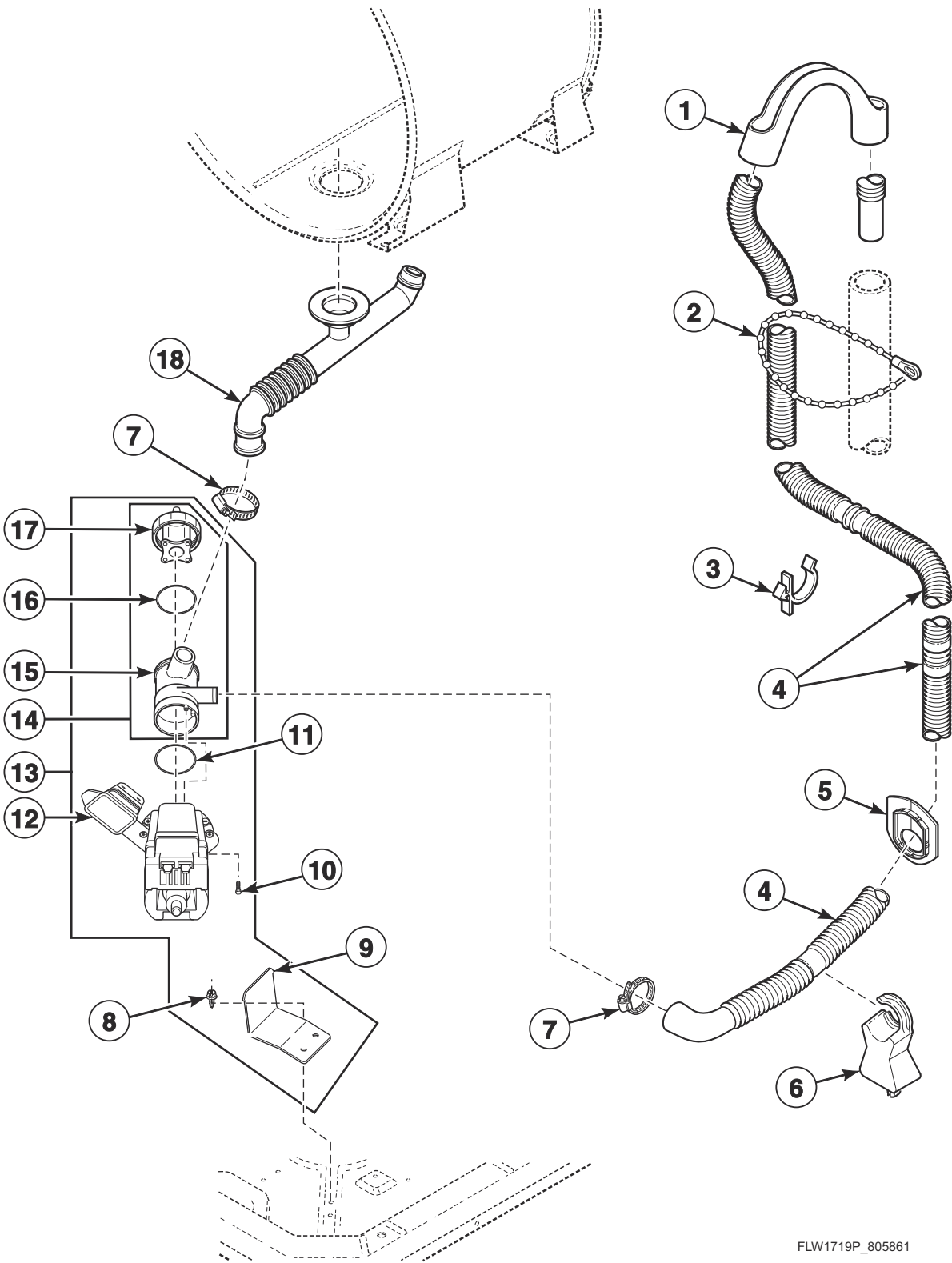


FLW1770P\_805861

## Motor and Belt

REF	PART NO.	DESCRIPTION	COMMENTS
1	D503661	Screw	
2	803949P	Inverter Control Assembly	
3	804878	Motor Control Shield	
4	D501524	Screw	
5	M400057	Screw	
6	02834	Washer	
7	M400080	Washer	
8	804985	Drive Belt	
9	805726P	Motor and Rod Assembly Kit	Includes item 10
10	803861	Motor Rod	

# Drain Hose and Pump

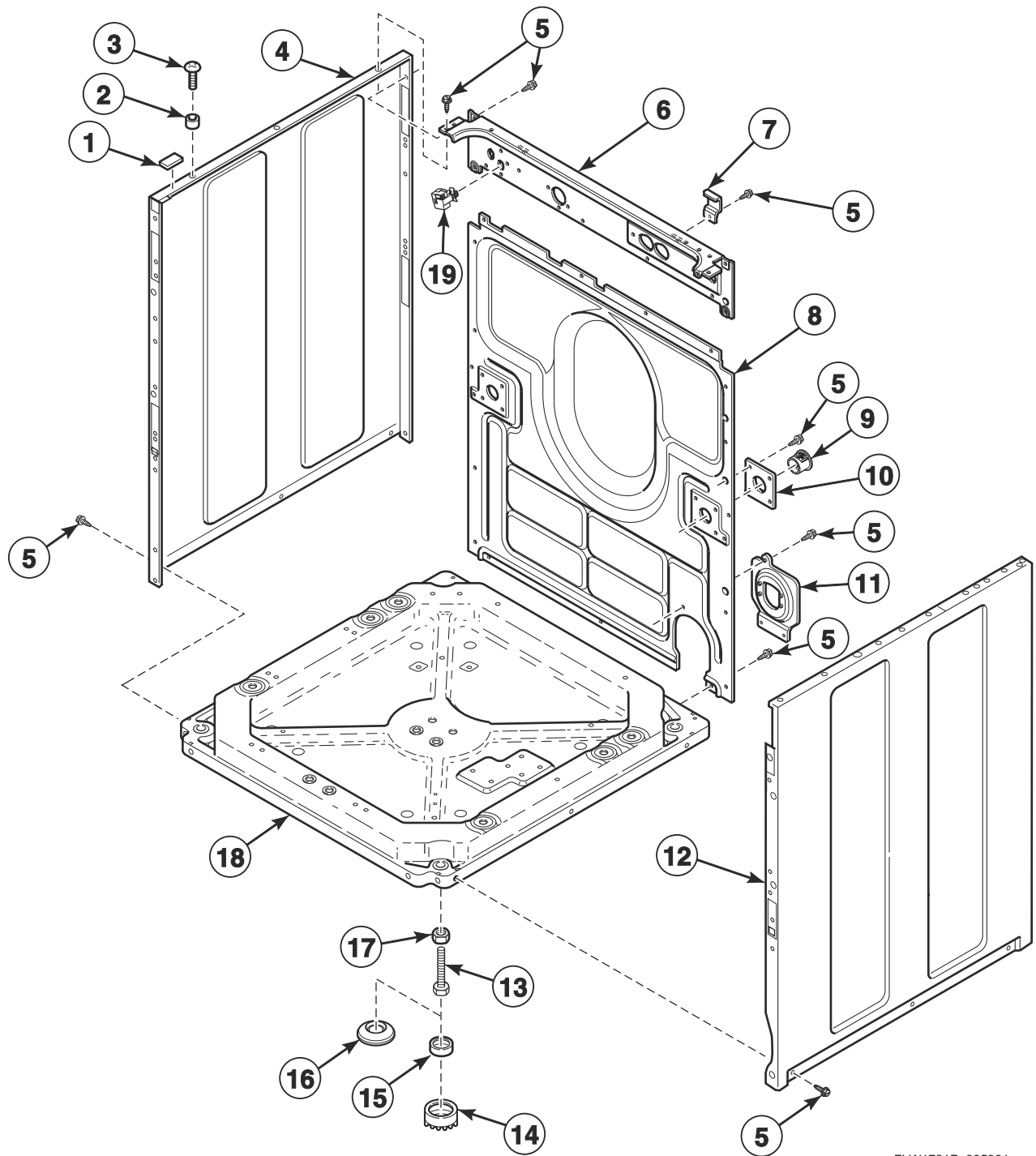


FLW1719P\_805861

## Drain Hose and Pump

REF	PART NO.	DESCRIPTION	COMMENTS
1	33615	Drain Hose Sleeve	
2	33489	Standpipe Strap	
3	36014	Retainer Clip	
4	803976	Drain Hose	
5	32219	Strain Relief	
6	38732	Hose Stand	
7	F200204	Hose Clamp	
8	D503661	Screw	
9	803814	Drain Base Bracket	
10	802431	Screw	
11	802429P	O-Ring	
12	803815	Drain Pump Isolator	
13	805724P	Drain Pump Assembly	Includes items 8-12 and 14-17
14	802434P	Pump Housing Assembly	Includes items 15-17
15	802428	Pump Housing	
16	802427	Gasket	
17	802426P	Lid Assembly	Includes filter
18	803829	Tub-to-Pump Hose	
	27615P	Sealant	Tub-to-pump hose to outer tub

# Base, Side and Rear Panels



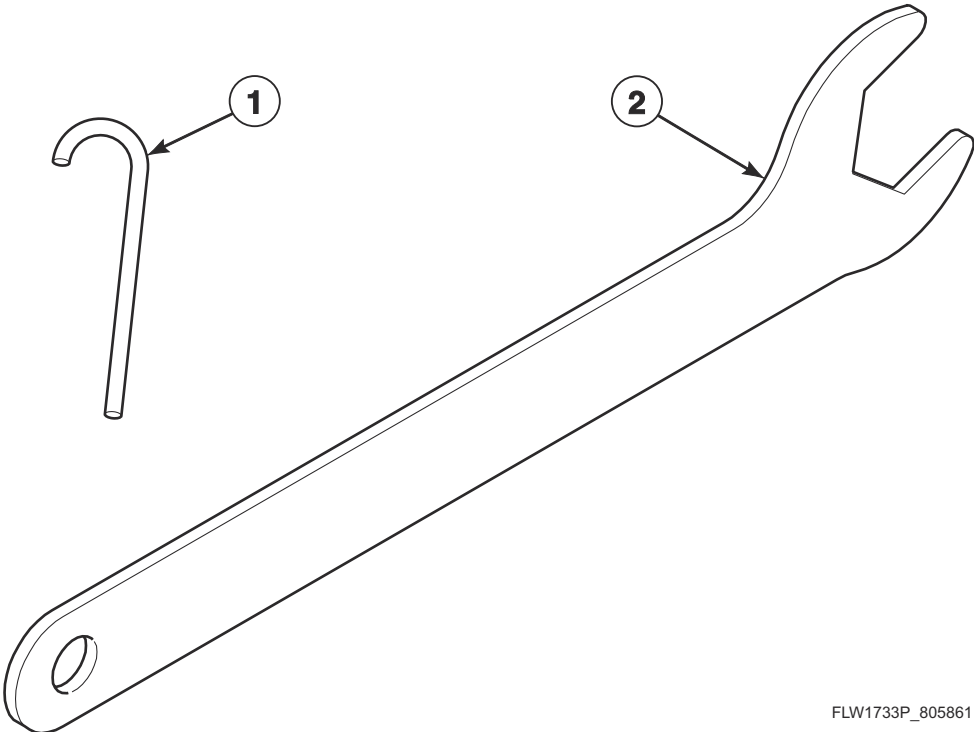
FLW1721P\_805861



## Base, Side and Rear Panels

REF	PART NO.	DESCRIPTION	COMMENTS
1	36226	Bumper Pad	
2	56079	Panel Locator	
3	39733	Screw	
4	800004WP	Cabinet Panel Kit	White; Left; Includes corner gusset with hardware
	802525P	Cabinet Side Panel	Stainless steel;Left
5	D503661	Screw	
6	803790	Rear Panel	Fixed
7	D510136	Top Hinge	Models AFN50RSP113TW01, AFN50RSP115TW01, AFN50RSP115TW13, AFNE9RSP113TW01, AFNE9RSP115TW01 and AFNE9RSP115TW13
8	803789	Rear Panel	Removable
9	803859	Shipping Plug	
10	803851	Shipping Plate	
11	803828	Drain Hose Bracket	
12	802526P	Cabinet Side Panel	Stainless steel;Right
	806492	Side Panel Kit	White;Right
13	34319	Leveling Leg	
14	D501855	Rubber Foot	Use to prevent movement on smooth surface floor coverings; Install over two existing front rubber feet (item 14)
15	34318	Rubber Foot	
16	155P3	Anchor	Includes 4 rubber discs with adhesive backing
	802844P	Anchor Floor Mount Assembly	Includes 2 rubber discs with adhesive backing
17	21899	Nut	
18	803876	Base Assembly	
19	202470	Pressure Sensor	

# Special Tools

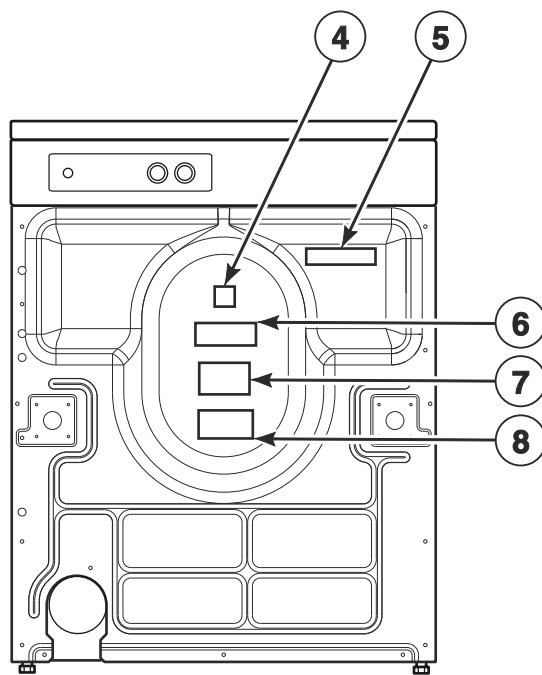
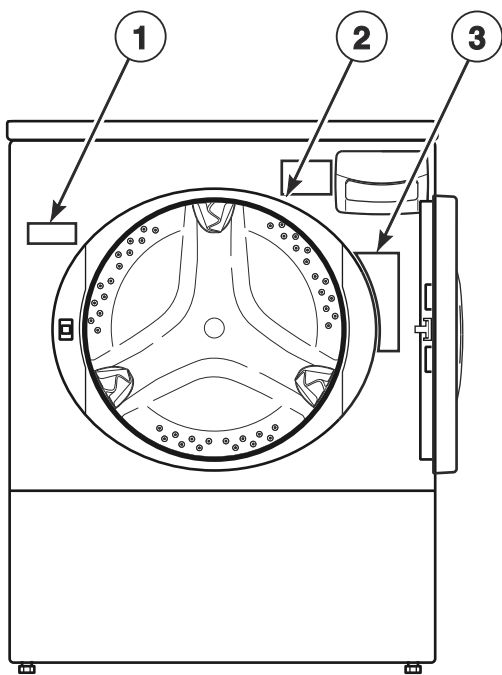


FLW1733P\_805861

# Special Tools

REF	PART NO.	DESCRIPTION	COMMENTS
1	802336	Pulley Bolt Tightening Fixture	Use to install inner basket
2	392P4	Wrench	Use for adjusting leveling leg nuts

# Labels

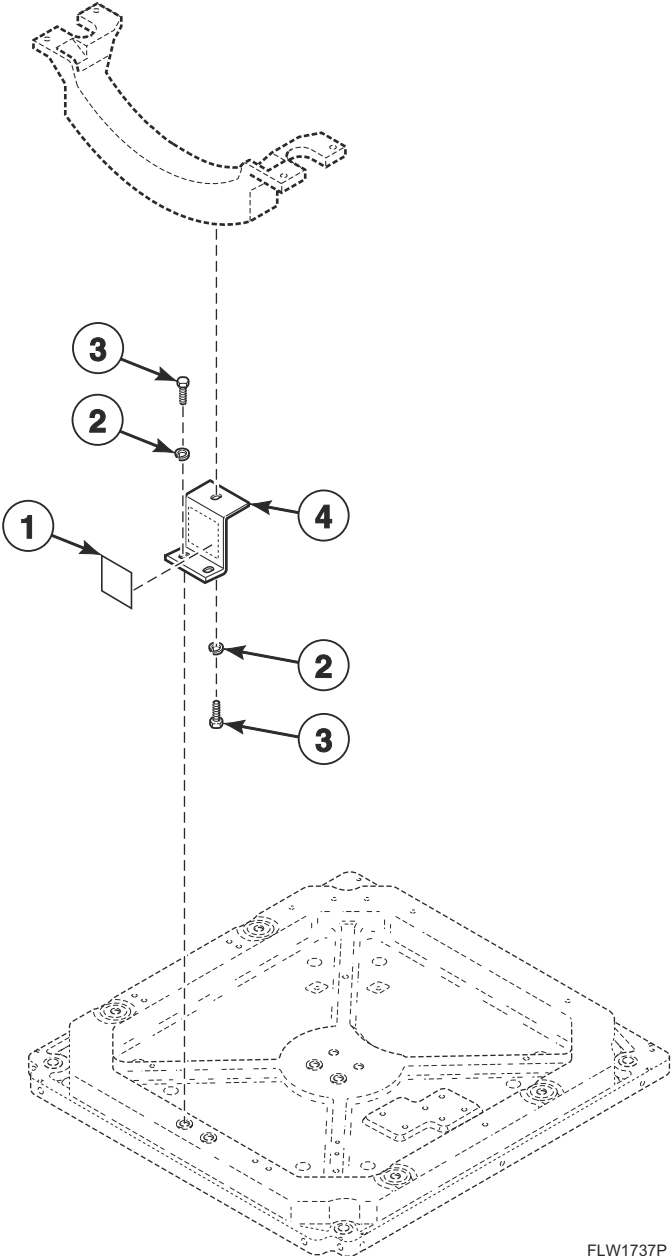


FLW1722P\_805861

# Labels

REF	PART NO.	DESCRIPTION	COMMENTS
1	803011	Notice Label	
2	802074	Oversudsing Label	English
	802838	Oversudsing Label	Spanish
3	806714	Warning Label	Reduce fire risk; Door locked; Models AFN50RSP115TW13, AFNE9BSP115TN13, AFNE9BSP115TW13 and AFNE9RSP115TW13
	802367	Warning Label	Reduce fire risk; Door locked; All other models
4	D513371	Read Instructions Label	
5	D505281	Disconnect Power Warning Label	
6	685928	Left Hand Thread Label	Left hand thread
7	803260	Warning Label	Disconnect power
8	D500314	Warning Label	

# Shipping Materials

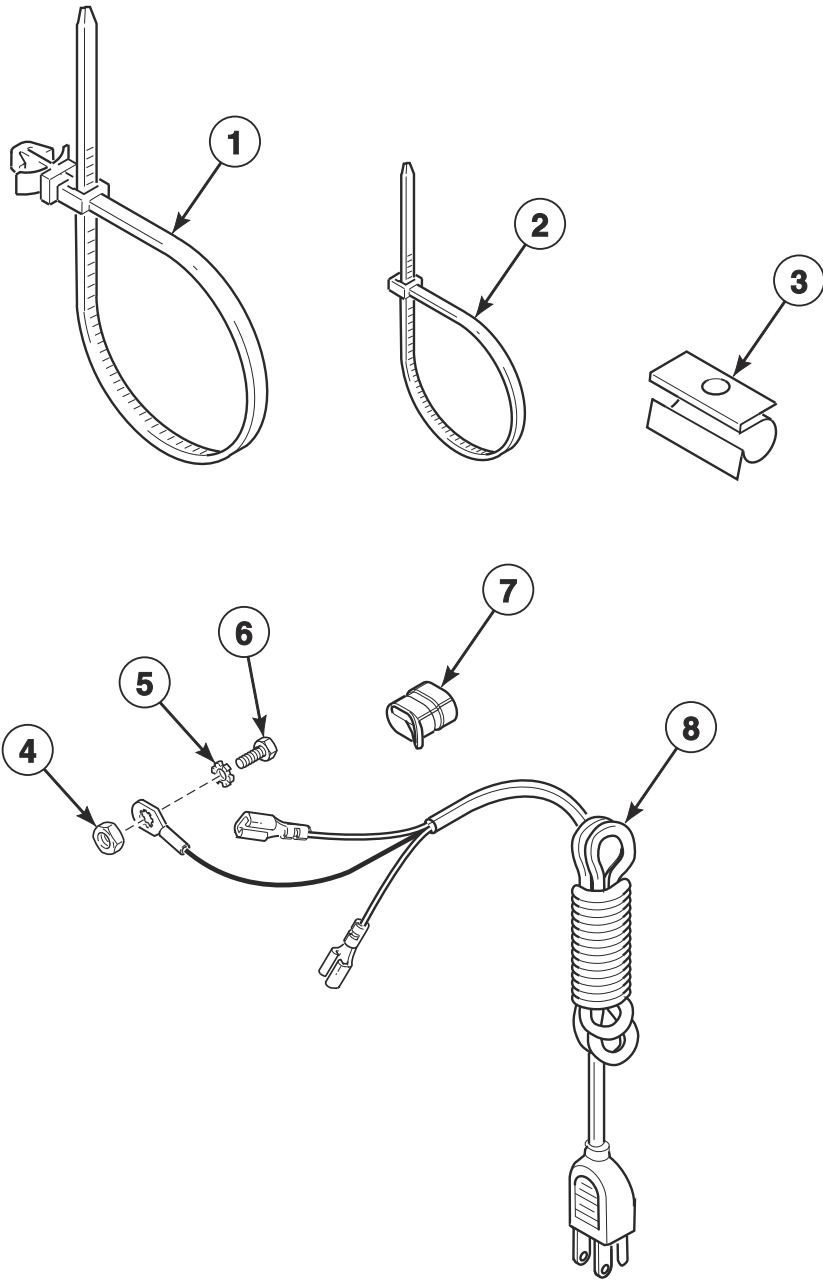


FLW1737P\_805861

# Shipping Materials

REF	PART NO.	DESCRIPTION	COMMENTS
	800462	Screw	2 required
	803858	Shipping Spacer	2 required
	803859	Shipping Plug	2 required
	800624	Washer	2 required
1	804488	Label	Remove shipping brace
2	M400014	Washer	4 required
3	M400043	Screw	4 required
4	804454	Shipping Brace	

# Wire Ties, Harness Clips and Lead-In Cord



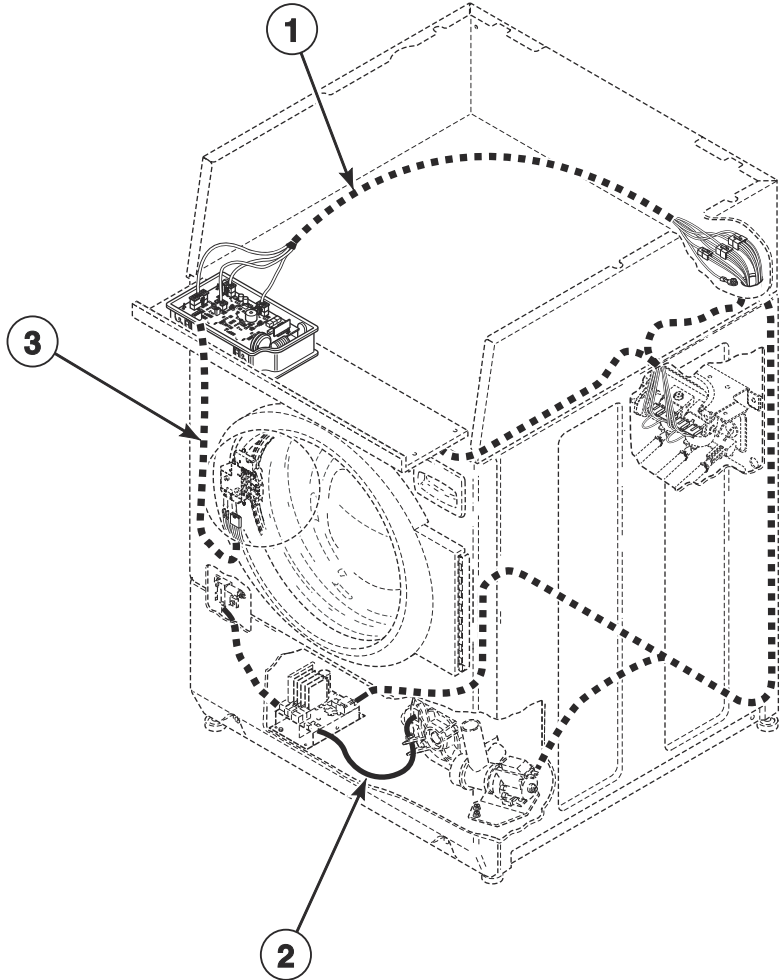
FLW1771P\_805861



# Wire Ties, Harness Clips and Lead-In Cord

REF	PART NO.	DESCRIPTION	COMMENTS
1	38663	Wire Tie	
2	55881	Harness Strap	
3	36985	Hose Clip	
4	03673	Nut	
5	03815	Washer	
6	20530	Screw	
7	38384	Strain Relief	
8	202777	Lead-In Cord	

# Wire Harnesses and Wires



FLW1757P\_805861

## Wire Harnesses and Wires

REF	PART NO.	DESCRIPTION	COMMENTS
	45001	18 Gauge Wire	Black; Order wire by foot and terminals as required
	45380	12 Gauge Wire	Orange; Order wire by foot and terminals as required
	804432	Pressure Sensor Harness	Models AFN50RSP113TW01, AFN50RSP115TW01, AFN50RSP115TW13, AFNE9RSP113TW01, AFNE9RSP115TW01 and AFNE9RSP115TW13
	804433	Pressure Sensor Harness	All other models
<b>1</b>	806030	Rear Control Harness	Models AFN50RSP113TW01, AFN50RSP115TW01, AFN50RSP115TW13, AFNE9RSP113TW01, AFNE9RSP115TW01 and AFNE9RSP115TW13
	806031	Front Control Harness	All other models
<b>2</b>	806029	Motor Harness	
<b>3</b>	806513	Door Lock Harness Assembly	Models AFN50RSP115TW13, AFNE9BSP115TN13, AFNE9BSP115TW13 and AFNE9RSP115TW13
	806028	Door Lock Harness Assembly	All other models

**NOTE: Individual wires are not available separately. Order complete harness, or order wire by the foot. When applying terminals to wires, it is recommended that the terminals be soldered to the wires.**



# Parts Index

## A

Access Pane Assembly 804618 .....	17
Access Panel Assembly 804617W .....	17
Anchor 155P3 .....	31
Anchor Floor Mount Assembly 802844P .....	31
Anti-Seize Compound 27604P .....	25

## B

Balance Ring Assembly 804393 .....	25
Ballast Weight 803810 .....	23
Base Assembly 803876 .....	31
Bearing Housing Kit 805525 .....	25
Bolt 29651 .....	5
Bracket D510146 .....	15
Bumper Pad 36226 .....	31

## C

Cabinet Panel Kit 800004WP .....	31
Cabinet Side Panel 802525P .....	31
802526P .....	31
Clamp Ring 803802 .....	23
Clothes Guard Deflector 804467 .....	23
805548 .....	23
Compartment Cover 803669 .....	19
803670 .....	19
Control Assembly 804474P .....	7, 9
804519P .....	11
805219P .....	5
806800 .....	13
Control Bracket 804611 .....	5
Control Knob Assembly 803119P .....	7
Control Overlay 804490 .....	5
806169 .....	5

Control Panel Assembly 804659W .....	5
804660 .....	5
Control Shield 804363 .....	5
Control Support Panel 801388 .....	7
804836 .....	11
806430 .....	13
806547 .....	9
Control Wrapper 804627B .....	5
804627W .....	5
804630B .....	5
804630W .....	5
Cycle Selector Switch 203976 .....	9
Cycle Switch 801240 .....	7
Cycle Switch Bracket 801390 .....	7

## D

Detergent Hose 804717 .....	19
Disconnect Power Warning Label D505281 .....	15, 35
Dispenser Assembly 803698 .....	19
805494P .....	19
Dispenser Drawer 803667 .....	19
Dispenser Handle 804227WP .....	19
Dispenser Inlet Hose 803849 .....	19, 21
Dispenser Plate 803843 .....	19
Door Assembly 804083WP .....	17
805550 .....	17
Door Catch Assembly 802803 .....	17
Door Glass 802695P .....	17
Door Glass Mounting Plate 804239 .....	17
Door Hinge 802934 .....	17
Door Latch Assembly 803920 .....	17
Door Lock Harness Assembly 806028 .....	41
806513 .....	41
Door Lock Shield 806713 .....	17
Door Seal 804428P .....	17

N/A items do not appear in index.

Door Seal Assembly 804429P .....	17
Drain Base Bracket 803814 .....	29
Drain Hose 803976 .....	29
Drain Hose Bracket 803828 .....	31
Drain Hose Sleeve 33615 .....	29
Drain Pump Assembly 805724P .....	29
Drain Pump Isolator 803815 .....	29
Drive Belt 804985 .....	27

---

## E

End Cap 203729W .....	9, 13
203730W .....	9, 13
End Panel D504008W .....	11
D504008WP .....	7
D504009WP .....	7, 11
Expansion Clip 70030501 .....	5
Extension Spring 802285 .....	17

---

## F

Fill Hose 20617 .....	21
20618 .....	21
Foam Pad 804875 .....	19
Foreign Object Deflector 806308 .....	23
806313 .....	23
Front Control Harness 806031 .....	41
Front Panel 802277WP .....	17
802278W .....	17
802288P .....	17
806689 .....	17

---

## G

Gasket 802427 .....	29
Glass Mounting Clip 802700 .....	17
Graphic Panel 804565 .....	11
805109W .....	7
806708 .....	9
806715 .....	13

Grommet 29175 .....	23
------------------------	----

---

## H

Harness Strap 55881 .....	39
Hinge Plate 802206 .....	17
Hold-Down Clip 35358 .....	15
Hood Back Panel 804169 .....	15
804845 .....	15
806585 .....	15
806593 .....	15
Hose Clamp F200204 .....	29
685725 .....	19
802281 .....	17
803891 .....	23
804173 .....	19, 21
Hose Clip 36985 .....	23, 39
800553 .....	25
Hose Stand 38732 .....	29

---

## I

Indicator Light 801356 .....	7
Indicator Light Lens 801435 .....	7
Inner Basket Assembly 804374P .....	25
Inner Basket Assembly Kit 804376P .....	25
Inner Door Bezel 804562P .....	17
Inner Door Bezel Kit 802307P .....	17
802331P .....	17
Inverter Control Assembly 806949P .....	27

---

## K

Knob Assembly 803168P .....	7
806597 .....	9

---

## L

Label 804488 .....	37
Lead-In Cord 20277 .....	39
LED Display Assembly 203849 .....	9

N/A items do not appear in index.

Left Hand Thread Label 685928 .....	35
Leveling Leg 34319 .....	31
Lid Assembly 802426P .....	29
Lifter 804382 .....	25

## M

Mixing Valve 803809 .....	21
Mixing Valve Screen 24122 .....	21
Motor and Rod Assembly Kit 805726P .....	27
Motor Control Shield 804878 .....	27
Motor Harness 806029 .....	41
Motor Rod 803861 .....	27

## N

Notice Label 803011 .....	35
Nut	
F430218 .....	23, 25
03673 .....	39
21899 .....	31
23951 .....	17
36020 .....	17
685846 .....	17
800452 .....	23, 25
802343 .....	23
804418 .....	25

## O

O-Ring 802429P .....	29
Outer Door Bezel 803710BP .....	17
803710WP .....	17
Outer Tub Assembly 803864 .....	23
Out-of-Balance Switch Assembly 803415 .....	23
Out-of-Balance Switch Bracket 804457 .....	23
Overlay	
804238 .....	11
806568 .....	13
Oversuding Label	
802074 .....	35
802838 .....	35

## P

Panel Locator 56079 .....	17, 31
Pop Rivet	
685847 .....	5, 25
70058501 .....	15
Pressure Bulb 803837 .....	23
Pressure Sensor 202470 .....	31
Pressure Sensor Harness	
804432 .....	41
804433 .....	41
Pressure Sensor Tube Assembly 804483 .....	23
Pulley Assembly 803974 .....	25
Pulley Bolt Tightening Fixture 802336 .....	33
Pump Housing 802428 .....	29
Pump Housing Assembly 802434P .....	29
Push Button Switch 203935 .....	9
Push-to-Start Switch 801434W .....	7

## R

Read Instructions Label D513371 .....	35
Rear Access Panel 804614 .....	5
Rear Control Harness 806030 .....	41
Rear Panel	
803789 .....	31
803790 .....	31
Rear Wrapper Brace 805345 .....	5
Retainer Clip 36014 .....	29
Rocker Switch	
203934 .....	9
38424W .....	7
Rubber Foot	
D501855 .....	31
34318 .....	31

## S

Screw	
D501086 .....	7, 9, 11, 15
D501524 .....	27
D503661 .....	15, 17, 27, 29, 31
D503688 .....	5
D512921 .....	17
M400043 .....	25, 37
M400057 .....	27

N/A items do not appear in index.

203799	9, 13
204340	9, 13
20530	39
39733	5, 17, 31
685831	25
685837	7
800461	23
800462	23, 25, 37
800548	17, 19, 25
801001	19
801019	17
801045	17
801993	17
802431	29
802596	23
804399	25
804608	9
804667	13
Sealant	
27615P	29
Shipping Brace	
804454	37
Shipping Plate	
803851	31
Shipping Plug	
803859	31, 37
Shipping Spacer	
803858	37
Shock Assembly	
803777	23
Side Panel Kit	
806492	31
Standpipe Strap	
33489	29
Strain Relief	
32219	29
38384	39

## T

Temperature Switch	
35115	7, 9
Temperature Switch Bracket	
800669	7
Top Cover	
D505808W	7, 11
Top Hinge	
D510136	31
Top Panel	
804684	5
804685WP	5
Top Panel Brace Assembly	
804613	5
Top Panel Guide	
803761	5
Top Panel Kit	
D510029WP	15
Trunnion Assembly	
804405	25
Tub Front	
803770	23
Tub Front Assembly	
803879	23

Tub Front Seal	
803801	23, 25
Tub-to-Pump Hose	
803829	29

## W

Warning Label	
D500049	23
D500314	35
802367	35
806714	35
Washer	
M400014	37
M400080	27
M400081	23, 25
M403958	25
02834	27
03815	39
20290	21
800464	25
800624	37
802254	21
803615	21
804458	23
Water Hose	
F200116	21
Wire Clamp Ring	
802283	17
Wire Tie	
38663	39
Wire, 12 Gauge	
45380	41
Wire, 18 Gauge	
45001	41
Wrench	
392P4	33

N/A items do not appear in index.