

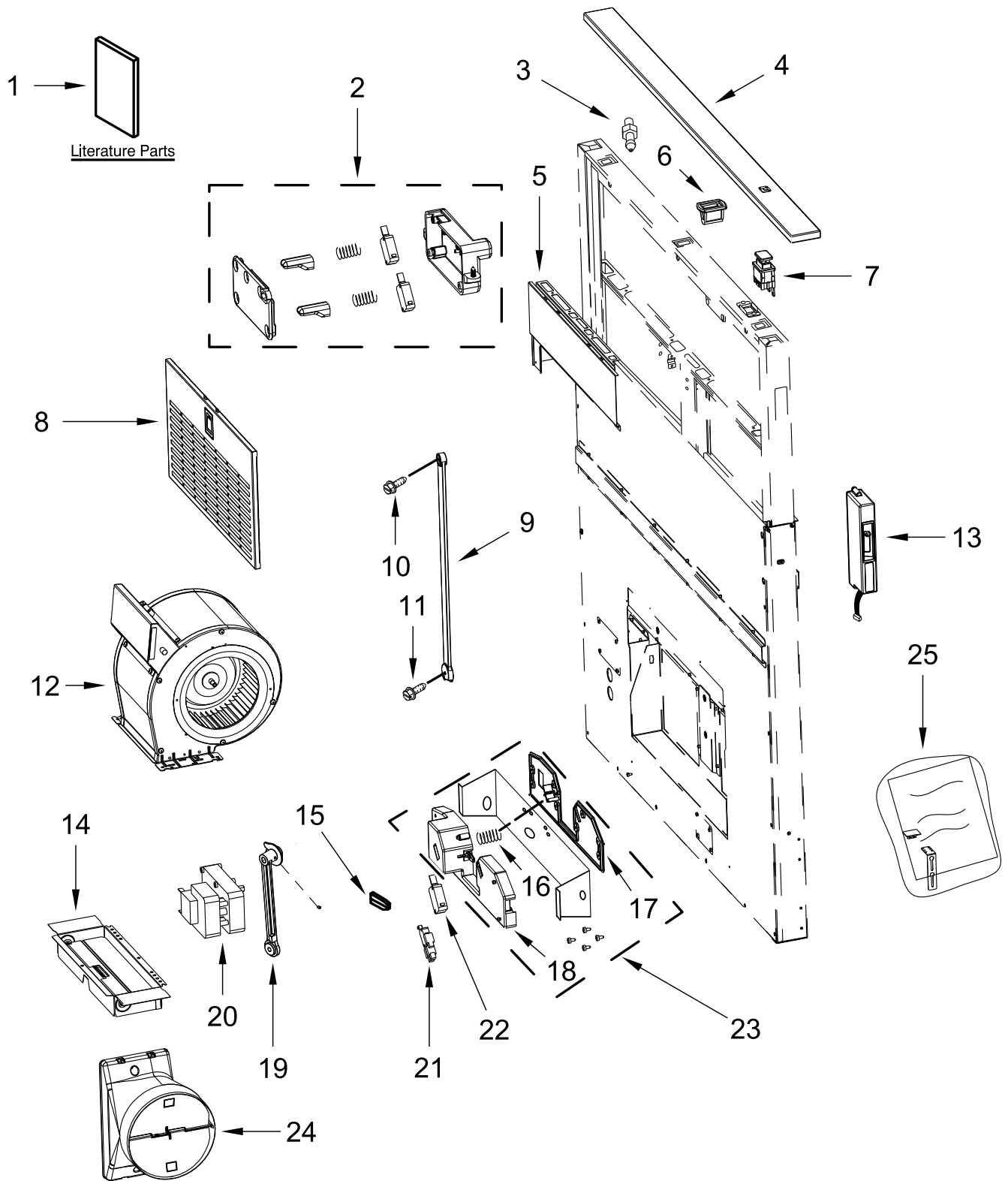
30" AND 36" RETRACTABLE DOWN DRAFT VENT SYSTEM

MODELS:

UXD8630DYS4 (Stainless)

UXD8636DYS4 (Stainless)

VENTILATION PARTS



VENTILATION PARTS

<u>Illus. No.</u>	<u>Part No.</u>	<u>Description</u>	<u>Illus. No.</u>	<u>Part No.</u>	<u>Description</u>	<u>Illus. No.</u>	<u>Part No.</u>	<u>Description</u>
1		Literature Parts	9	W10421280	Arm, Upper	23	W10801493	Assembly, Drive Motor Switch
	W10342491	Use and Care Guide / Installation Instructions	10	W10422765	Screw Upper	24	W10313841	Damper, Hood
			11	W10422764	Screw Lower	25	W11164139	Hardware, Installation
2	W11097349	Kit, Switch Filter	12	W10849492	Assembly, Blower			ACCESSORIES
3	W10421517	Clip, Top Trim	13	W11088233	Control, Hood		W10798405	30" Tape Kit
4		Trim, Top	14	W10291572	Damper, Hood		W10798404	36" Tape Kit
	W10421520	30" Stainless	15	W10681777	Cam, Plenum Arm Lower			Trim, Top
	W10421522	36" Stainless	16	W10469579	Spring, Button		W10388421	30" White
5		Cover, Front	17	W11097343	Cover, Front Switch Holder Plenum Motor		W10387678	30" Black
	W10798407	30" Model	18	W11097371	Cover, Back Switch Holder Plenum Motor		W10388422	36" White
	W10798400	36" Model					W10387679	36" Black
6	W10421518	Clip, Top Trim	19	W10421277	Arm, Lower			
7	W10899381	Button, Control	20	W10398274	Motor, Plenum			
8		Filter, Grease	21	W10398341	Microswitch			
	W10422878	30" Model	22	W11097288	Microswitch			
	W10425128	36" Model						