

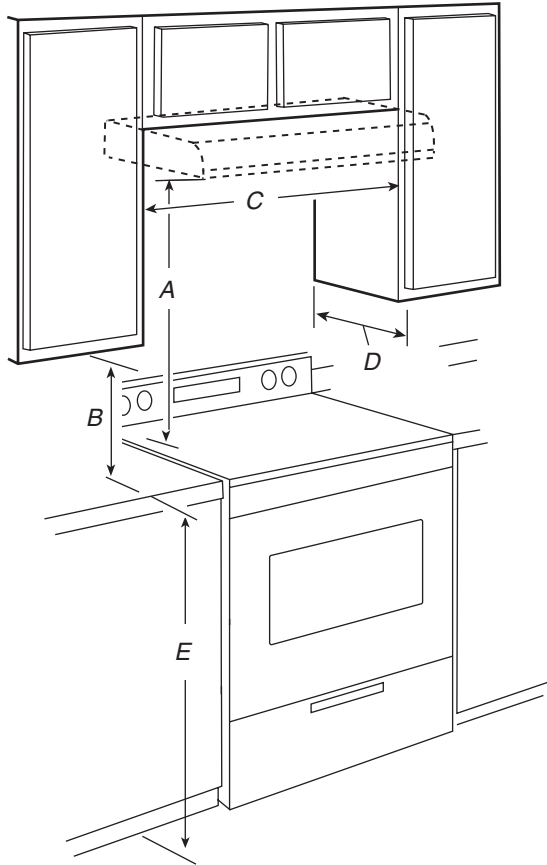
# Range Hood - 30" (76.2 cm) and 36" (91.4 cm)

## PRODUCT MODEL NUMBERS

UXT4230AD      UXT4236AD

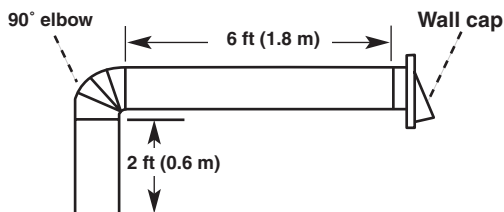
**Electrical:** A 120 volt, 60 Hz., AC only, 15-amp, fused electrical circuit is required.

## CABINET OPENING DIMENSIONS



- A. 18" (45.7 cm) minimum distance from electric cooking surface.  
24" (61.0 cm) minimum distance from gas cooking surface.  
30" (76.2 cm) suggested maximum above the cooking surface.
- B. 18" (45.7 cm) minimum clearance - upper cabinet to countertop.
- C. 30" (76.2 cm) minimum cabinet opening width for 30" (76.2 cm) models and 36" (91.4 cm) minimum cabinet width for 36" (91.4 cm) models.
- D. 12" (30.5 cm) cabinet depth.
- E. 36" (91.4 cm) base cabinet height.

## Example vent system

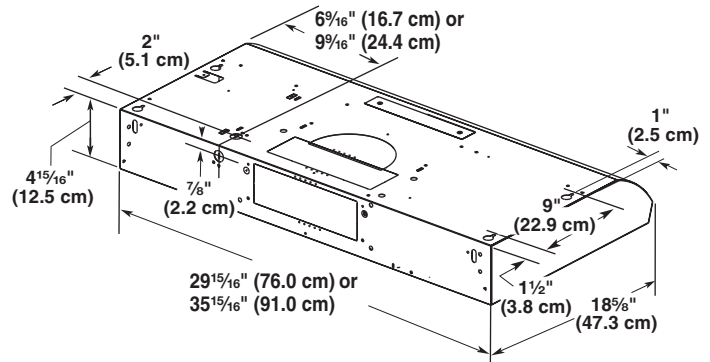


1 - 90° elbow	= 5.0 ft (1.5 m)
1 - wall cap	= 0.0 ft (0.0 m)
8 ft (2.4 m) straight	= 8.0 ft (2.4 m)
<b>System length</b>	<b>= 13.0 ft (3.9 m)</b>

## Maximum Recommended Length

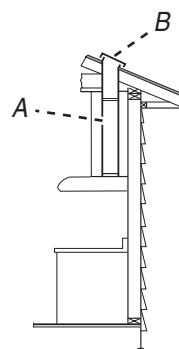
7" (17.8 cm) Round Vent	= 50 ft (15.2 m)
3 1/4" x 10" (8.3 x 25.4 cm) Rectangular Vent	= 35 ft (10.7 m)

## OVERALL DIMENSIONS



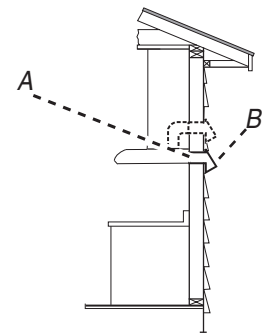
## VENTING REQUIREMENTS

### Top Venting



- A. 7" (17.8 cm) round vent through roof (purchased separately).  
3 1/4" x 10" (8.3 x 25.4 cm) rectangular vent through the roof (purchased separately).
- B. Roof cap with damper (purchased separately)

### Wall Venting



- A. 7" (17.8 cm) round vent out the top and through the wall (purchased separately).  
3 1/4" x 10" (8.3 x 25.4 cm) rectangular vent through the wall or out the top (purchased separately).
- B. Wall cap with damper (purchased separately)

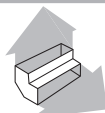
## Calculating Vent System Length

To calculate the length of the system you need, add the equivalent feet (meters) for each vent piece used in the system.

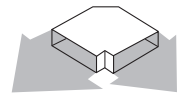
## Vent System

### Vent Piece

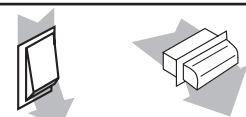
90° elbow	5.0 ft (1.5 m)
-----------	----------------



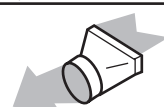
3 1/4" x 10" (8.3 cm x 25.4 cm) flat elbow	12.0 ft (3.7 m)
--	-----------------



7" (17.8 cm) wall cap	0.0 ft (0.0 m)
-----------------------	----------------



3 1/4" x 10" (8.3 cm x 25.4 cm) to 7" (17.8 cm)	4.5 ft (1.4 m)
---	----------------



3 1/4" x 10" (8.3 cm x 25.4 cm) to 7" (17.8 cm) 90° elbow	5.0 ft (1.5 m)
---	----------------

