

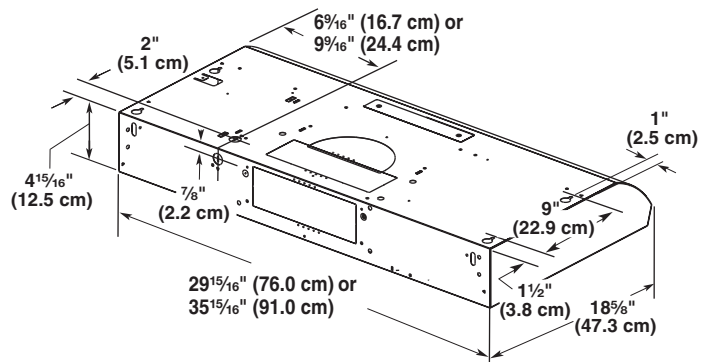
# Range Hood - 30" (76.2 cm) and 36" (91.4 cm)

## PRODUCT MODEL NUMBERS

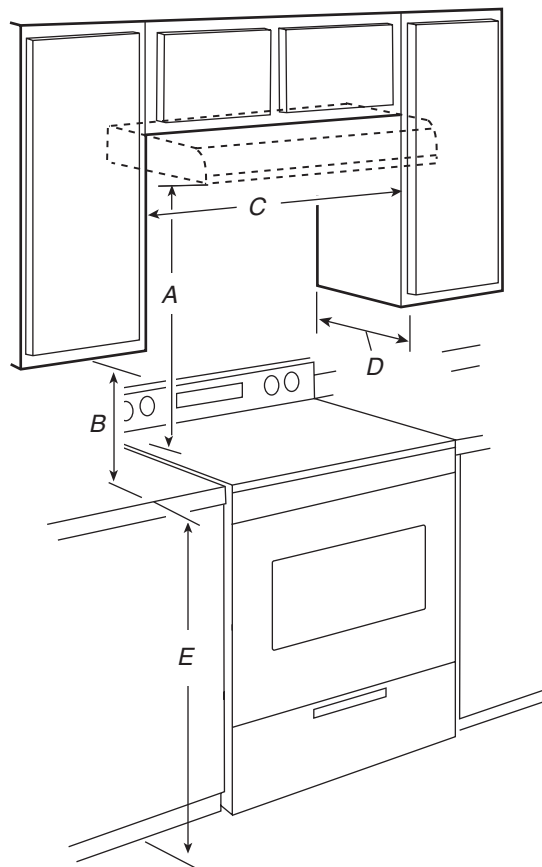
UXT4030AD      UXT4036AD

**Electrical:** A 120 volt, 60 Hz., AC only, 15-amp, fused electrical circuit is required.

## OVERALL DIMENSIONS



## CABINET OPENING DIMENSIONS



- A. 24" (61.0 cm) minimum distance from electric cooking surface  
24" (61.0 cm) minimum distance from gas cooking surface  
30" (76.2 cm) suggested maximum above the cooking surface
- B. 18" (45.7 cm) minimum clearance - upper cabinet to countertop
- C. 30" (76.2 cm) minimum cabinet opening width for 30" (76.2 cm) models and 36" (91.4 cm) minimum cabinet width for 36" (91.4 cm) models
- D. 12" (30.5 cm) cabinet depth
- E. 36" (91.4 cm) base cabinet height