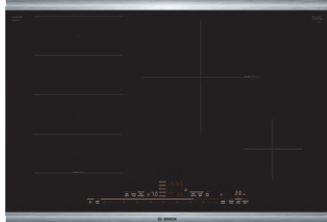


30" Induction Cooktop

Benchmark® Series – Black with Stainless Steel Frame NITP069SUC



BOSCH
Invented for life



NITP069SUC
Black with Stainless Steel Frame

Also available in:

Frameless NITP069UC

FlexInduction® cooktop allows you to place your cookware wherever you want on the flexible cooking zone.

Features & Benefits

FlexInduction® – provides more flexibility by combining two cooking zones into one larger zone

11" cooking zone for larger pots and pans

PowerMove™ – divides FlexInduction® into 3 preset power level zones. Simply move the cookware to change the power level

Home Connect™ – the easy way to connect your smart device with your Bosch cooktop

Element Performance

Power of Full Zone Left heating element	3,300 W
---	---------

Power of Full Zone Left heating element (in boost)	3,600 W
--	---------

Power of Front Left heating element	2,200 W
-------------------------------------	---------

Power of Front Left heating element (in boost)	3,600 W
--	---------

Power of Back Left heating element	2,200 W
------------------------------------	---------

Power of Back Left heating element (in boost)	3,600 W
---	---------

Power of Back Right heating element	2,600 W
-------------------------------------	---------

Power of Back Right heating element (in boost)	3,700 W
--	---------

Power of Front Right heating element	1,400 W
--------------------------------------	---------

Power of Front Right heating element (in boost)	2,200 W
---	---------

Burners with booster	All*
----------------------	------

Element Size

Dimension of Front Left heating element	8" x 9"
---	---------

Dimension of Back Left heating element	8" x 9"
--	---------

Dimension of Back Right heating element	11"
---	-----

Dimension of Front Right heating element	6"
--	----

General Properties

Home Connect™ (Wi-Fi Enabled)	Yes
-------------------------------	-----

Controls	PreciseSelect® Touch
----------	----------------------

Technical Details

Watts	7,200 W
-------	---------

Circuit breaker	30 A
-----------------	------

Volts	208-240 V
-------	-----------

Frequency	60 Hz
-----------	-------

Plug type	No plug
-----------	---------

Power cord length	37"
-------------------	-----

Energy source	Electric
---------------	----------

Dimensions & Weight

Overall appliance dimensions (HxWxD)	1/4" +4 1/8" x 31" x 21 1/4"
--------------------------------------	------------------------------

Required cutout size (HxWxD)	4 1/8" x 28 7/8" x 20"
------------------------------	------------------------

Minimum distance from counter front	2 1/4"
-------------------------------------	--------

Minimum distance from rear wall	2"
---------------------------------	----

Net weight	43 lbs
------------	--------

Accessories—Optional



HEZ390210
8" AutoChef® pan



HEZ390220
9" AutoChef® pan



HEZ390230
10" AutoChef® pan



HEZ390512
Teppanyaki



Accessories: To purchase Bosch accessories, cleaners & parts please visit www.bosch-home.com/us/store or call 1-800-944-2904 (Mon to Fri 5 am to 6 pm PST, Sat 6 am to 3 pm PST).

Notes: All height, width and depth dimensions are shown in inches. BSH reserves the absolute and unrestricted right to change product materials and specifications, at any time, without notice. Consult the product's installation instructions for final dimensional data and other details prior to making cutout.

Warranties: Please see Use & Care manual or Bosch website for statement of limited warranty.

For more information on our entire line of products, go to www.bosch-home.com/us or call 1-800-944-2904

© BSH Home Appliances Corporation. All rights reserved. Bosch is a registered trademark of Robert Bosch GmbH.

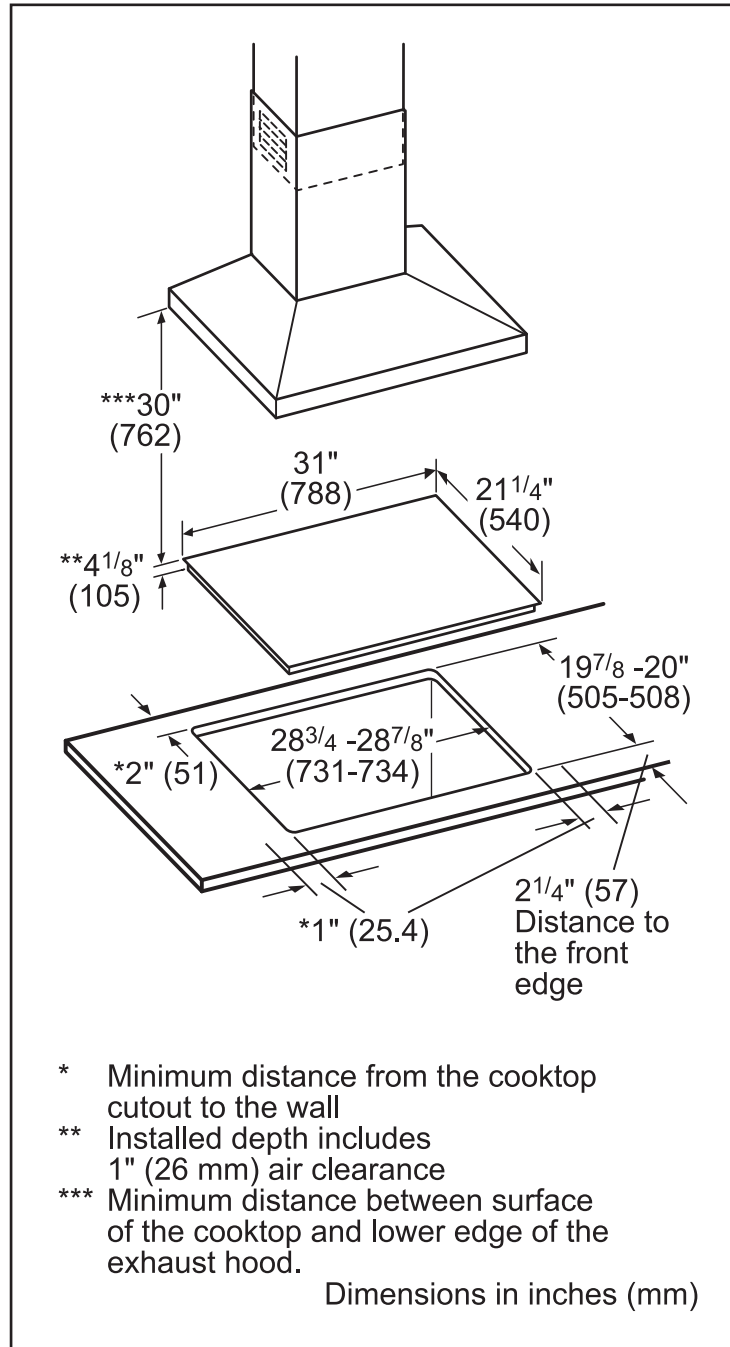
30" Induction Cooktop

Benchmark® Series – Black with Stainless Steel Frame NITP069SUC

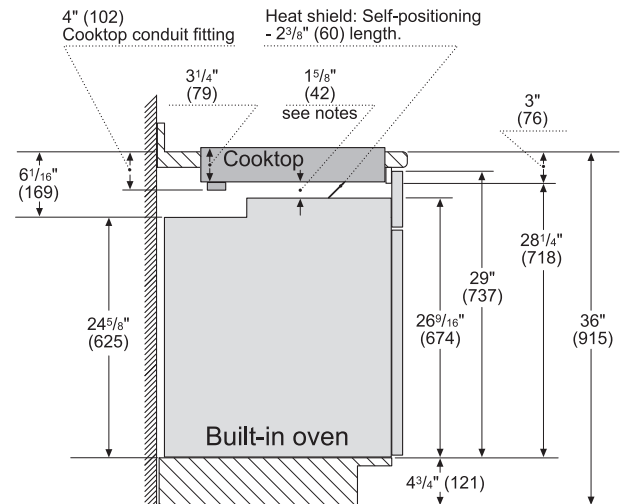


BOSCH
Invented for life

Installation Details



Installation above Wall Ovens

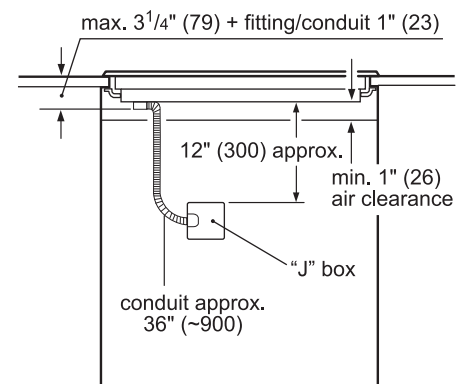


Notes:

Dimensions based on standard countertop height (36" with 4 3/4" toe kick including base plate).

The built-in oven can be installed below the induction cooktop as long as there is a minimum 1" (26) clearance between the bottom of the cooktop and the top of the oven.

measurements in inches (mm)



Measurements in inches (mm)

Accessories: To purchase Bosch accessories, cleaners & parts please visit www.bosch-home.com/us/store or call 1-800-944-2904 (Mon to Fri 5 am to 6 pm PST, Sat 6 am to 3 pm PST).

Notes: All height, width and depth dimensions are shown in inches. BSH reserves the absolute and unrestricted right to change product materials and specifications, at any time, without notice. Consult the product's installation instructions for final dimensional data and other details prior to making cutout.

Warranties: Please see Use & Care manual or Bosch website for statement of limited warranty.

For more information on our entire line of products, go to www.bosch-home.com/us or call 1-800-944-2904

© BSH Home Appliances Corporation. All rights reserved. Bosch is a registered trademark of Robert Bosch GmbH.

11/18