

30" (76.2 cm) and 36" (91.4 cm) Range Hood

PRODUCT MODEL NUMBERS

UXT2030AD

Electrical: A 120 volt, 60 Hz., AC only, 15-amp, fused electrical circuit is required.

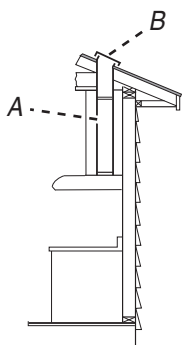
VENTING METHODS

NOTES: Flexible vent is not recommended. Flexible vent creates both back pressure and air turbulence that greatly reduce performance.

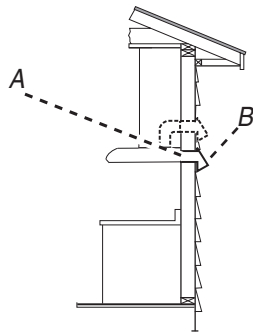
- Flexible vent is not recommended. Flexible vent creates both back pressure and air turbulence that greatly reduce performance.
- The vent system is optional for this model.

Vent system can terminate either through the roof or wall. Use 7" (17.8 cm) or larger round vent with a maximum length of 50 ft (15.2 m) for vent system.

Top Venting



Wall Venting



A. 7" (17.8 cm) round vent through roof (purchased separately).

B. Roof cap with damper (purchased separately)

A. 7" (17.8 cm) round vent out the top and through the wall (purchased separately).

B. Wall cap with damper (purchased separately)

Calculating Vent System Length

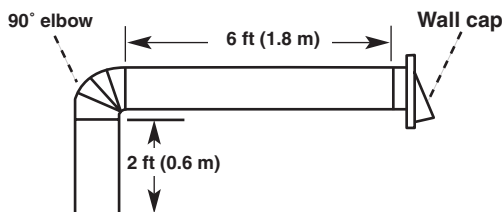
To calculate the length of the system you need, add the equivalent feet (meters) for each vent piece used in the system.

Vent System

Vent Piece

45° elbow	2.5 ft (0.8 m)	
90° elbow	5.0 ft (1.5 m)	
7" (17.8 cm) wall cap	0.0 ft (0.0 m)	

Example vent system

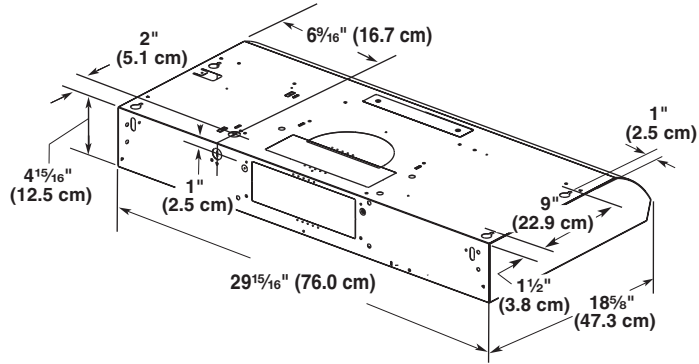


1 - 90° elbow	= 5.0 ft (1.5 m)
1 - wall cap	= 0.0 ft (0.0 m)
8 ft (2.4 m) straight	= 8.0 ft (2.4 m)
System length	= 13.0 ft (3.9 m)

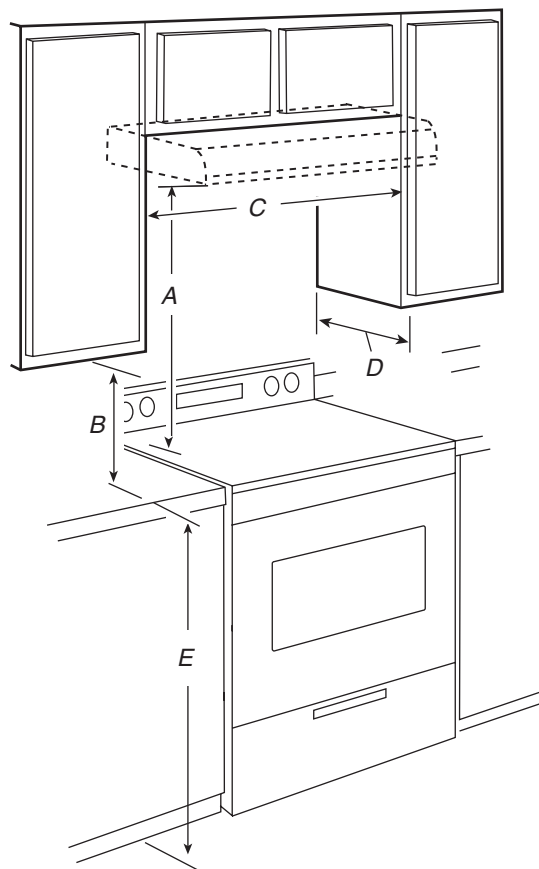
Maximum Recommended Length

7" (17.8 cm) Round Vent = 50 ft (15.2 m)

PRODUCT DIMENSIONS



Installation Clearances



- A. 18" (45.7 cm) minimum distance from electric cooking surface.
24" (61.0 cm) minimum distance from gas cooking surface.
30" (76.2 cm) suggested maximum above the cooking surface.
- B. 18" (45.7 cm) minimum clearance - upper cabinet to countertop.
- C. 30" (76.2 cm) minimum cabinet opening width.
- D. 12" (30.5 cm) cabinet depth.
- E. 36" (91.4 cm) base cabinet height.