

# DVE45R6300V

SAMSUNG

## Samsung Smart Front Load Electric Dryer with Steam Sanitize+

7.5 cu. ft. Capacity DOE



### Signature Features

#### Bixby Enabled

- Wi-Fi connected so you can remotely start or stop your cycle, schedule laundry on your time, receive end of cycle alerts, and more right from your smartphone.<sup>1</sup>




#### Steam Sanitize+

- The Steam Sanitize+ cycle removes 99.9% of germs and bacteria, over 95% of pollen, and kills 100% of dust mites<sup>2</sup>. Multi-Steam Technology steams away wrinkles, odors, and static.


#### Sensor Dry

- Automatically optimizes the time and temperature of your drying cycle to protect your clothes from heat damage, while avoiding excess energy use.

### Available Colors

-  Fingerprint Resistant Black Stainless Steel (shown)
-  Champagne
-  White



Bixby Enabled 



Steam Sanitize+

### Features

- Bixby Enabled 
- Steam Sanitize+
- Sensor Dry
- Vent Sensor
- Interior Drum Light
- 12 Preset Drying Cycles
- 10 Additional Drying Options
- 5 Temperature Levels
- 4-Way Venting
- Dual Heaters
- Reversible Crystal Blue Door
- LED Display: Ice Blue

### Convenience

- Child Lock
- Lint Filter Indicator



ADA Compliant<sup>3</sup>

### Rating



ENERGY STAR<sup>®</sup>-rated  
607 kWh/yr

<sup>1</sup>The Samsung SmartThings application is required and is available on Android and iOS devices. A Wi-Fi connection is required. User will be solely responsible for any consequence(s) that may result, including but not limited to any damage or harm caused by incorrect information provided by the user. Only monitoring is allowed for Gas dryer for safety reasons.

<sup>2</sup>Based on internal testing and independently verified by Intertek. Individual results may vary.

<sup>3</sup>ADA Compliant when using a Samsung 27" wide riser (WE272NV or WE272NW).

# DVE45R6300V

# SAMSUNG

## Samsung Smart Front Load Electric Dryer with Steam Sanitize+

7.5 cu. ft. Capacity DOE

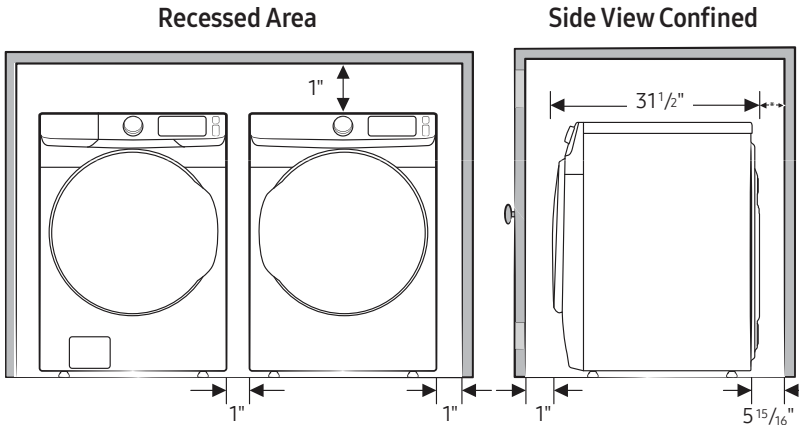
### Installation Specifications

If the washer and dryer are installed together or the dryer alone, the closet front must have two unobstructed air openings for a combined minimum total area of 72-inch<sup>2</sup> (see stacked build below). Your washer alone does not require a specific air opening.

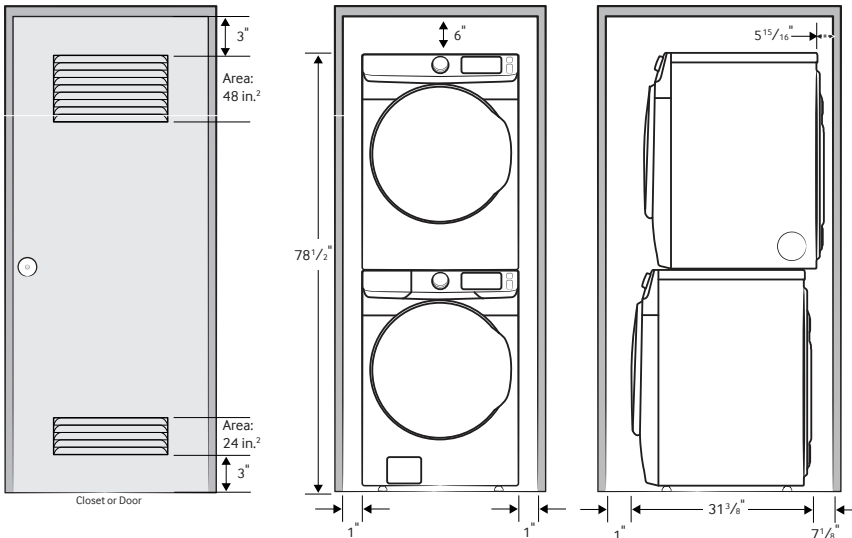
\*Required spacing (External exhaust elbow may require additional space.)

#### 1. Alcove or closet installation

Minimum Clearance for Closet and Alcove Installations:

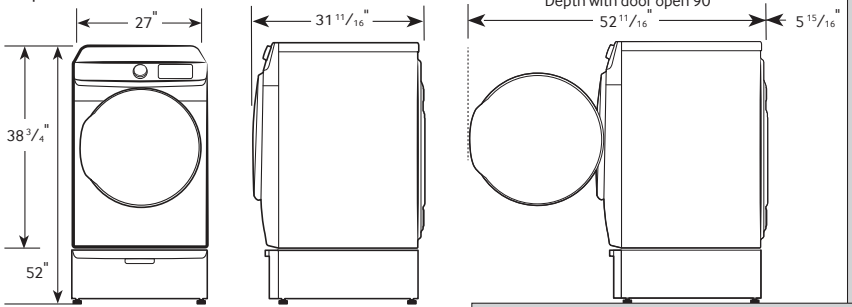


#### 2. With stacked washer and dryer



### Dimensions

Required Dimensions for Installation with Pedestal:



#### 4-Way Venting

#### 12 Preset Drying Cycles:

Refresh, Steam Sanitize+, Normal, Heavy Duty, Permanent Press, Active Wear, Bedding, Delicates, Time Dry, Air Fluff, Quick Dry, Downloaded

#### 10 Additional Drying Options:

Damp Alert, Wrinkle Prevent, Smart Control, Adjust Time (Up), Adjust Time (Down), Eco Dry, Drum Light, Child Lock, Smart Care, Alarm Off

#### 5 Temperature Levels:

High, Medium High, Medium, Medium Low, Low

#### 5 Dry Levels:

More Dry, Normal-More Dry, Normal Dry, Normal-Less Dry, Less Dry

#### Warranty

One (1) Year Parts and Labor

#### Product Dimensions & Weight (WxHxD)

Dimensions: 27" x 38 3/4" x 31 1/2"

Weight: 123 lbs

#### Shipping Dimensions & Weight (WxHxD)

Dimensions: 29 3/8" x 42 9/16" x 33 1/2"

Weight: 130 lbs

#### Electric

Fingerprint Resistant

Black Stainless Steel

Champagne

White

#### Model #

DVE45R6300V

DVE45R6300C

DVE45R6300W

#### UPC Code

887276300467

887276331638

887276300474

#### Gas

Fingerprint Resistant

Black Stainless Steel

Champagne

White

DVG45R6300V

DVG45R6300C

DVG45R6300W

887276300504

887276331645

887276300511

#### Matching Washer

Fingerprint Resistant

Black Stainless Steel

Champagne

White

WF45R6300AV

WF45R6300AC

WF45R6300AW

887276299488

887276331461

887276299495

#### Pedestal

Fingerprint Resistant

Black Stainless Steel

Champagne

White

WE402NV

WE402NC

WE402NW

887276310145

887276310121

887276310152

#### Accessories

Stacking Kit

Vent Kit

SKK-8K

DV-2A

887276344034

887276146416

Actual color may vary. Design, specifications, and color availability are subject to change without notice. Non-metric weights and measurements are approximate.

©2019 Samsung Electronics America, Inc. 85 Challenger Road, Ridgefield Park, NJ 07660. Tel: 800-SAMSUNG. samsung.com. Samsung is a registered trademark of Samsung Electronics Co. Ltd.