

Titan challenges the definition of pro-style hoods with its impressive size, powerful blower, and stunning good looks. Featuring Zephyr's new PowerWave™ technology, Titan features a 750 CFM blower with the option to combine two blowers together to

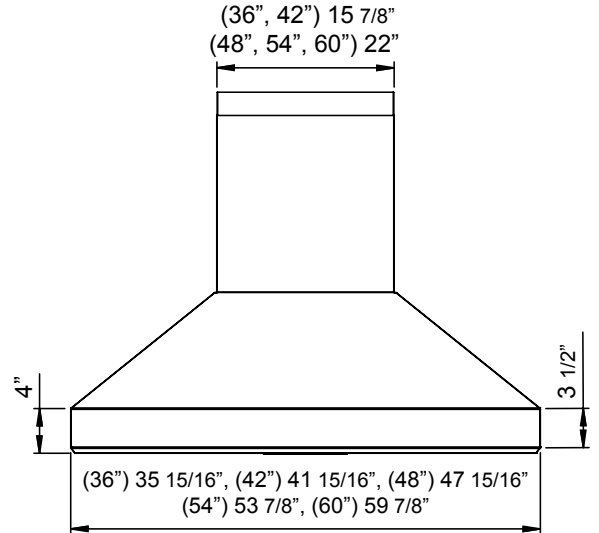
achieve 1,300 CFM. Its unique aerodynamic blades improve efficiency with unparalleled quiet operation. The ultimate workhorse in the kitchen, Titan is available up to 60-inches and features pro baffle filters and LED lighting.



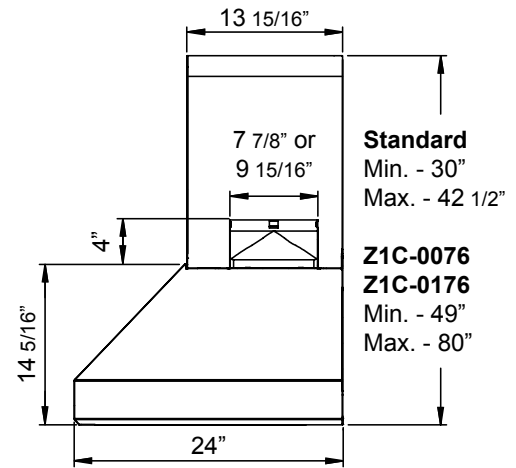
	INTERNAL BLOWER STANDARD	INTERNAL BLOWER with ACT™ AIRFLOW CONTROL TECHNOLOGY™*		
SINGLE BLOWER (INCLUDED) <b>Min. - Max. CFM</b>	200 - 750	200 - 590	200 - 390	200 - 290
SINGLE BLOWER (INCLUDED) <b>Min. - Max. Sones</b>	0.5 - 7	0.5 - 5.5	0.5 - 2.5	0.5 - 1
DUAL BLOWER (OPTIONAL) <b>Min. - Max. CFM</b>	350 - 1,300	*AIRFLOW CONTROL TECHNOLOGY™ (ACT™) is an exclusive feature built into specific Zephyr hoods which can limit the maximum blower CFM to meet local code requirements.		
DUAL BLOWER (OPTIONAL) <b>Min. - Max. Sones</b>	1 - 8			



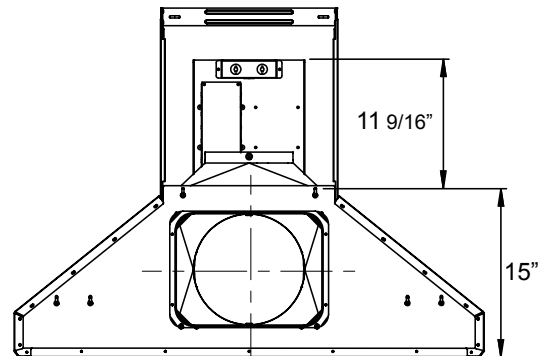
Optional Wireless Remote Control



FRONT



SIDE



BACK

MODEL		AK7636AS/AK7642AS		AK7648AS/AK7654AS/AK7660AS					
Stainless Steel									
<b>Size</b>		36"/42"		48"/54"/60"					
<b>Included Single Blower</b>		200-750 CFM, 0.5-7 Sones		200-750 CFM, 0.5-7 Sones					
<b>ACT 590</b>		200-590 CFM, 0.5-5.5 Sones		200-590 CFM, 0.5-5.5 Sones					
<b>ACT 390</b>		200-390 CFM, 0.5-2.5 Sones		200-390 CFM, 0.5-2.5 Sones					
<b>ACT 290</b>		200-290 CFM, 0.5-1 Sones		200-290 CFM, 0.5-1 Sones					
<b>Optional Dual Blower</b>		350-1,300 CFM, 1-8 Sones		350-1,300 CFM, 1-8 Sones					
<b>FEATURES</b>									
<b>ACT™ Technology</b>		Yes		Yes					
<b>Controls</b>		Electronic LCD		Electronic LCD					
<b>Speed Levels</b>		6		6					
<b>Auto Delay-Off</b>		Yes		Yes					
<b>CleanAir Function</b>		Yes		Yes					
<b>Directional Lighting</b>		Bloom™ GU10 LED, 6W x2		Bloom™ GU10 LED, 6W x4					
<b>Dual-Level Lighting</b>		Yes		Yes					
<b>Filters</b>		Pro Baffle x2		Pro Baffle x3					
<b>Grease Collection Tray</b>		Yes		Yes					
<b>Wireless Remote Control</b>		Yes, Optional		Yes, Optional					
<b>Recirculating Option</b>		No		No					
<b>Duct Cover Extension Option</b>		Yes		Yes					
<b>ADA Compliant</b>		Yes (w/ remote accessory)		Yes (w/ remote accessory)					
<b>DUCT SPECIFICATIONS</b>									
<b>Vertical Single Internal Blower</b>		8" Round		8" Round					
<b>Horizontal Single Internal Blower</b>		8" Round		8" Round					
<b>Vertical Dual Internal Blower</b>		10" Round		10" Round					
<b>Horizontal Dual Internal Blower</b>		10" Round		10" Round					
<b>AC POWER (Single Blower)</b>		120V, 60Hz at Max. 5A		120V, 60Hz at Max. 5A					
<b>AC POWER (Dual Blower)</b>		120V, 60Hz at Max. 8A		120V, 60Hz at Max. 8A					
<b>OPTIONAL ACCESSORIES</b>									
<b>Wireless Remote Control</b>		14000005		14000005					
<b>Dual Internal Blower</b>		PBD-1300A		PBD-1300A					
<b>Duct Cover Extension</b>		Z1C-0076		Z1C-0176					
<b>Make-Up Air Kit (Single Blower)</b>		MUA008A		MUA008A					
<b>Make-Up Air Kit (Dual Blower)</b>		MUA010A		MUA010A					
<b>MOUNTING HEIGHT RANGE**</b>		24" - 36"		24" - 36"					
<b>WARRANTY</b>		3 years parts, 1 year labor		3 years parts, 1 year labor					
<b>CEILING HEIGHT</b>		8'	8.5'	9'	9.5'	10'	10.5'	11'	12'
<b>STANDARD DUCT COVER</b>	<b>Ducted Mounting Height**</b>	24" - 30.5"	24" - 36"	29.5" - 36"	35.5" - 36"	NA	NA	NA	NA
<b>DUCT COVER EXTENSION</b>	<b>Ducted Mounting Height**</b>	NA	NA	NA	24" - 29.5"	24" - 35.5"	24" - 36"	24" - 36"	27.5" - 36"

\*ACT™ only available with single internal blower.

\*\*Mounting height refers to distance between top of a 36" tall cooking surface and bottom of hood.

**ACT™** AIRFLOW CONTROL TECHNOLOGY™ (ACT™) is an exclusive feature built into specific Zephyr hoods which can limit the maximum blower CFM to meet local code requirements.

**POWERWAVE™**

PowerWave™ 3-Phase Blower Technology delivers best-in-class performance with unparalleled quiet operation. It provides more power while minimizing noise and improving efficiency. Plus, its 1,300 CFM blower option makes it the most powerful dual-internal blower on the market.

Specifications subject to change, check zephyronline.com for up-to-date information.  
Zephyr Ventilation | 2277 Harbor Bay Parkway, Alameda, CA 94502 | 888.880.VENT

APR18.0101

