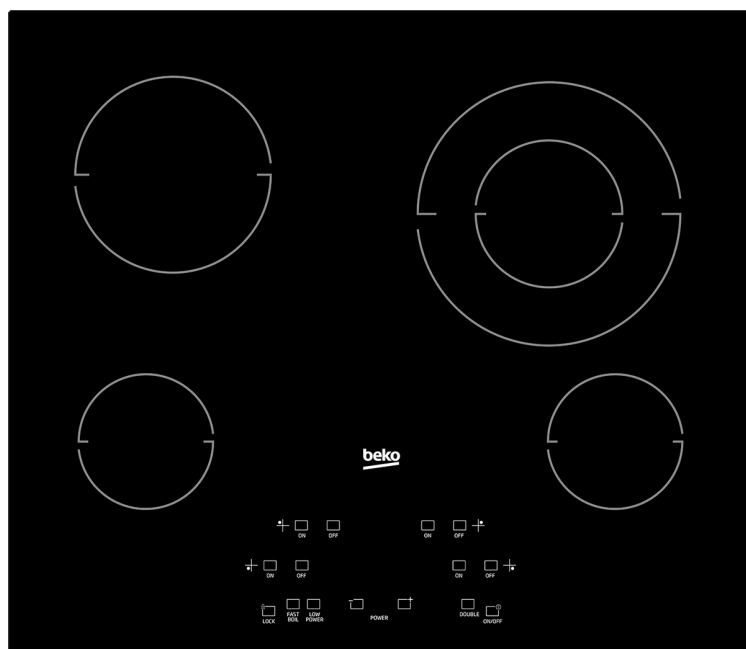


24" Electric Built-in Cooktop

ECTM24102



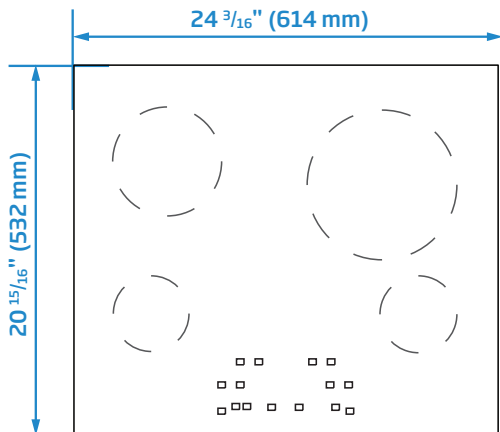
KEY FEATURES

- 9 Cooking Levels
- Timer
- Residual Heat Indicators
- Automatic Shutoff
- Digital Display
- Overheat Safety System

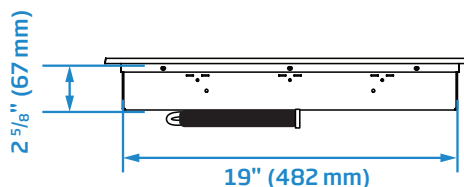


GENERAL	
Heating Technology	Electric
Glass Type	Tempered Black Glass Surface
Color	Black
Control Type	Touch Digital Display
BURNER POWER LEVELS	
Number of Zones	4 Vitroceramic
Front Left	3 15/16" – 600 W Hi-Light
Front Right	3 15/16" – 600 W Hi-Light
Rear Left	5 1/2" – 1,200 W Hi-Light
Rear Right	4 3/4" / 8 1/4" – 750 / 2,200 W Duo
FUNCTIONS	
Cooking Levels	9
Hot Surface Indication	Yes
Timer Function	Yes
Digital Display for Power Level Indication	Yes
Overflow Safety	Yes
Overheat Safety System	Yes
Radiant Cooking Zone	Yes
Residual Heat Indicator	Yes
Automatic Shut-off	Yes
TECHNICAL INFORMATION	
kW/Amps Rating	220-240 V, 60 Hz
DIMENSIONS	
Required Cutout Dim (H x W)	22 13/16" x 19 5/8"
Product Dim H x W x D	17 1/16" x 24 3/16" x 20 15/16" (3.7x61.4x53.2 cm)
Packed H x W x D	6 11/16" x 26 3/4" x 26" (17x68x66 cm)
Product Weight	24.47 lbs. (11.1 kg)
Packed Weight	28.88 lbs. (13.1 kg)

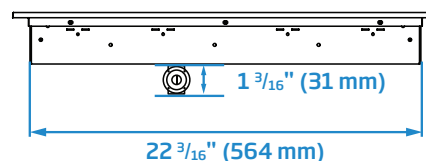
Top



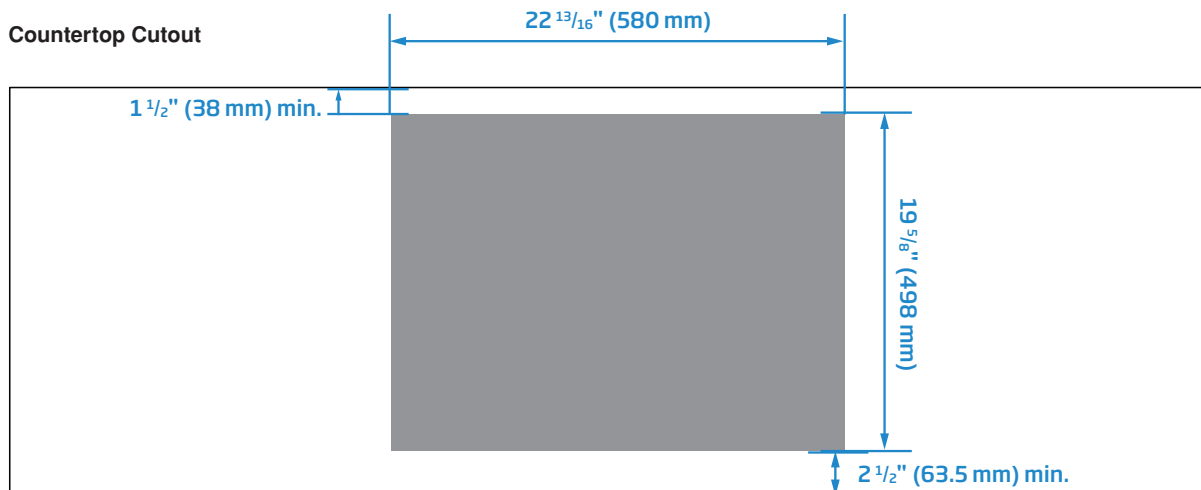
Side – Side View



Front – Side View



Countertop Cutout



NOTE TO THE INSTALLER: All height, width, and depth dimensions are shown in inches (as well as metric). Beko U.S., Inc. reserves the absolute and unrestricted right to change product materials and specifications, at any time, without notice. Please visit our website, www.BekoAppliances.com, or call 888.352.2356 to verify the latest specifications with final dimensional data and other details prior to installation and making a cutout. Applicable product limited warranty information may be found in accompanying product materials, or you may contact your account manager for further details. Proper installation is the responsibility of the installer. Product failure due to improper installation is not covered under the Limited Warranty.