

English 1-4

Español Français Deutsch 5-14

FOLLOW THESE STEPS TO SET UP WALL AND MANTEL CLOCKS

• SETTING UP YOUR CLOCK

Located in the shipping carton with the clock will be a key to wind the clock. If provided on your model, the shipping carton may also include a pendulum and finial that are separately packed. Please keep all of the original packaging material.

WARNING: KEEP PLASTIC BAGS AND SMALL PARTS AWAY FROM CHILDREN.

Access to the clock movement and chimes is made through the back of the clock. Howard Miller uses a combination of rubber bands, foam, styrofoam, metal, and cardboard to secure the movement and chimes during shipping.

Cut rubber bands with scissors and discard.

DO NOT PULL ON THE RUBBER BANDS TO BREAK.

Remove foam, styrofoam, and cardboard from around the movement and chimes. When possible, pull in the direction shown to remove. (See figure 1 & 2)

For clocks with a pendulum, cut the rubber band or remove the metal spring clip from the back side of the movement by first pulling one end free. (See figure 2).

Open the front door and remove the white plastic insert holding the minute hand at the 3:00 location (this insert is not used on all models).

Follow the remaining instructions as they apply to your clock.

• FOR CLOCKS THAT HAVE A PENDULUM -

Follow these instructions for hanging pendulum.

NOTE: To perform the following steps, Howard Miller suggests wearing cotton gloves or using a soft cloth when handling parts.

Some pendulums have a colored protective plastic film covering the pendulum disk. Carefully remove this film before hanging the pendulum.

To hang the pendulum, locate the pendulum guide through the front door or back access panel. While holding the pendulum guide with one hand, slip the pendulum through the front door with your other hand. Place the pendulum hook over the pin or through the slot on the end of the pendulum guide, and lower the pendulum until it is hanging securely on the pendulum guide. (See figure 2).

• FOR CLOCKS THAT HAVE HANGING WEIGHTS -

Follow these instructions for hanging weights.

Do not remove the styrofoam blocks until after your clock has been operating for at least eight (8) hours. Check the weights to ensure that they are tightly assembled. Check to make sure that the cable is in the cable pulley. Hang the weights on the pulley. (See figure 3).

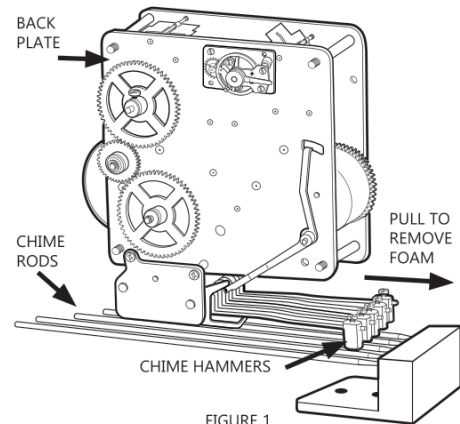


FIGURE 1

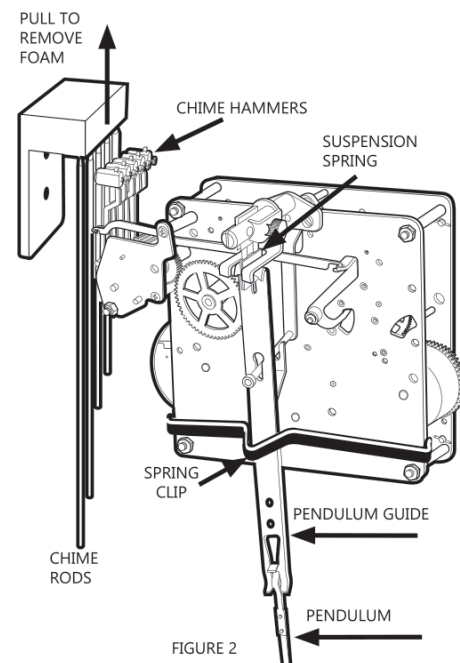


FIGURE 2



FIGURE 3

• **FOR ALL CLOCKS - SETTING TIME** (moving the hands)

To set the time, slowly move **ONLY THE MINUTE HAND** counterclockwise (backwards) until hour and minute hand are at the correct time. (See figure 4). **DO NOT MOVE THE HOUR HAND WHEN SETTING THE TIME.** The hour hand will move automatically when the minute hand is moved. If the clock begins to chime while setting the time, stop moving the hands until chiming is complete. The movement has a self correcting feature which synchronizes the chimes with the time. If after setting the clock on time, it does not chime properly, permit it to operate 2 hours to correct itself.

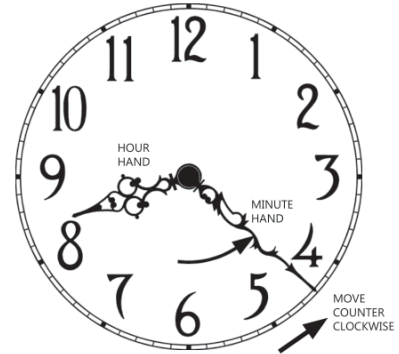


FIGURE 4

• **FOR ALL CLOCKS - STARTING CLOCK**

Clocks **without** a pendulum will start automatically if the clock is wound. To start clocks with a pendulum, reach through the front door of the clock and place your hand on the side of the pendulum disk. Move the pendulum to the far left of center and release. Let the clock operate a few minutes until the pendulum settles into an even swinging motion. (See figure 5). If your clock gains or loses time after 24 hours, see General Information Section to regulate the time keeping of your clock.

GENERAL INFORMATION

PRODUCT INFORMATION LABEL

The product information label identifies the clock model number and serial number. The clock model number and serial number are essential for obtaining parts or service. The product information label is located either on the back or bottom of the clock. Refer to this label when contacting your dealer or Howard Miller. For easy reference in the future, take a moment to record these numbers. Attach your sales receipt to this manual for future reference.

WINDING YOUR CLOCK

Insert the winding key into the holes located in the dial face. (See figure 6). Depending upon the model of your clock, there can be 1, 2, or 3 winding key holes. Turn the key clockwise until the spring becomes tight and will not turn further. For clocks with hanging weights, raise the weights using the crank. **DO NOT** lift the weights by hand while cranking. Wind your clock once a week.

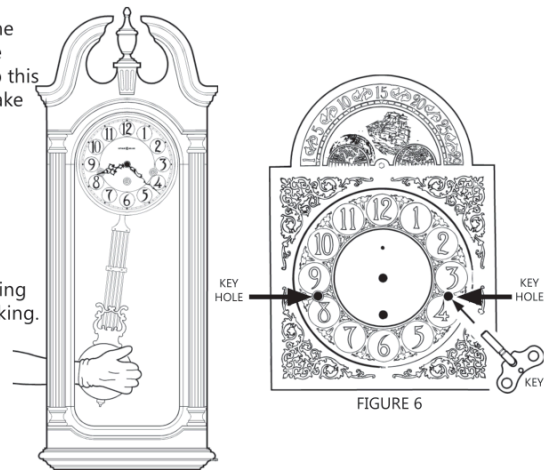


FIGURE 5

FIGURE 6

REGULATING TIME KEEPING



Day One

1. Select a time of day that will allow you to check your clock at the same time for at least six days.
2. Record time selected _____
3. Check correct time.
4. Re-set the minute hand to the exact, correct time.

Day Two, Three, Four, Five, Six (If Necessary)

1. Check correct time.
2. Compare time shown on your clock with correct time. Is your clock fast or slow?
3. Adjust as detailed under "Clocks with Pendulum" or "Clocks without Pendulum".
4. Check correct time.
5. Re-set the minute hand to exact, correct time.

Clocks with Pendulum



Changing the speed of time keeping is accomplished by moving the pendulum disk up or down. The pendulum disk is moved up or down by turning the adjustment nut. To slow the clock down, move the pendulum disk down by turning the adjustment nut to the left. To speed the clock up, move the pendulum disk up by turning the adjustment nut to the right. (See figure 7). Turn the adjustment nut one complete revolution for each half minute fast or slow per day. (24 hours).

Clocks without Pendulum

Depending upon your clock model, changing the speed of time keeping is accomplished by moving the time adjustment lever or turning the time adjustment screw located on the back of the clock movement (see figure 8). To slow the speed of time keeping (clock runs fast), move the time adjustment lever down towards the "-" (minus) or turn the time adjustment screw clockwise toward the "-". To increase the speed of time keeping (clock runs slow), do the opposite by moving the time adjustment lever up or turning the time adjustment screw counterclockwise.

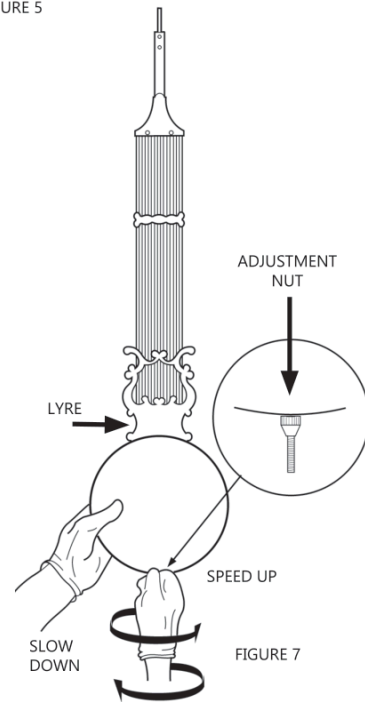


FIGURE 7

CHIME SELECTION

Selecting the chime melody is accomplished by moving a lever on or next to the clock dial. Some models play only the Westminster chime, while others give you a selection of three melodies.

If the dial states "WESTM-SILENT" or "STRIKE-SILENT", your clock has only the Westminster chime. If your clock has a triple chime movement, the chime lever identifies the melody choices.

Never change the selection while the clock is chiming or positioned near the release points. See figure 9 for when it is safe to move the chime selection lever without damaging the movement.

CARE AND MAINTENANCE

Your clock requires little care and maintenance. Listed below are steps you can take to maintain the exceptional quality of your Howard Miller clock.

- Wind your clock every seven days.
- Wax and polish your clock cabinet as frequently as you do your other furniture. Use a nonsilicone liquid or paste wax.
- When cleaning glass, use a non-ammonia glass cleaner. Never spray the cleaner directly on the clock.
- For clocks with hanging weights, check the weights occasionally to ensure that they are still tightly assembled.
- Avoid exposing the clock to direct sunlight or high intensity lighting which may fade the finish. Protect from extreme temperatures and humidity changes which may cause the wood to split or crack.
- It is recommended that your clock movement be oiled every two years from the date of purchase and thoroughly cleaned every five to ten years depending on climatic conditions. Extremely dry, humid or salty air, heat or cold may necessitate more frequent servicing. Howard Miller does not recommend that you service the clock movement yourself. Contact an authorized Howard Miller Service Center.

TROUBLE SHOOTING

Ensure that all instructions provided with your Howard Miller product have been carefully followed. These instructions will provide detailed information to answer most questions. Contact the Howard Miller web site (www.howardmiller.com) for a list of frequently asked questions that may conveniently resolve your problem or answer your questions.

CLOCK DOES NOT CHIME AT PROPER TIME



If the clock chimes more than one minute before or after the proper time, the minute hand should be removed and adjusted.

CAUTION: When performing this operation be careful not to scratch the hand nut, hand or dial.

1. When the clock starts to chime, stop the pendulum and record the time.
2. Using pliers, carefully remove the small nut that holds the minute hand in place by turning the nut counterclockwise while at the same time hold the minute hand with your fingers near the small nut.
3. Remove the hand from the hand shaft by grasping it with your fingers at the point where it attaches to the shaft. Pull the hand straight off. This hand is not screwed on and should come off easily. The minute hand has a small raised area on the back side directly around the shaft hole, this is the hand bushing. Using pliers, grip the bushing firmly by its sides so that it cannot slip in the pliers. With your other hand, turn the clock hand forward or backward the distance necessary to chime at the correct time. (See figure 10).
4. Re-attach the hand to the shaft and turn the hand nut finger tight. Make sure the hand points to the correct location that you recorded in Step 1 plus any corrections you made in step 3. If the hand does not point to the correct mark, repeat steps 2 and 3.
5. Snug up the hand nut with the pliers. Do not over tighten.
6. Start pendulum.
7. Re-set the time by moving **ONLY THE MINUTE HAND** backwards as described in the set-up operation.

EXAMPLE: Clock chimes at 1:10 but should chime at 1:15.

Step 1: When clock chimes at 1:10 stop the pendulum and record the time of 1:10. Step 2: Carefully remove the small nut. Step 3: Remove the minute hand. Grip the bushing by its sides and turn the hand forward 5 minutes. Step 4: Reattach the hand so it points to 1:15. Attach the hand nut finger tight. Step 5: Snug up the hand nut. Step 6: Start pendulum. Step 7: Reset clock to current time.

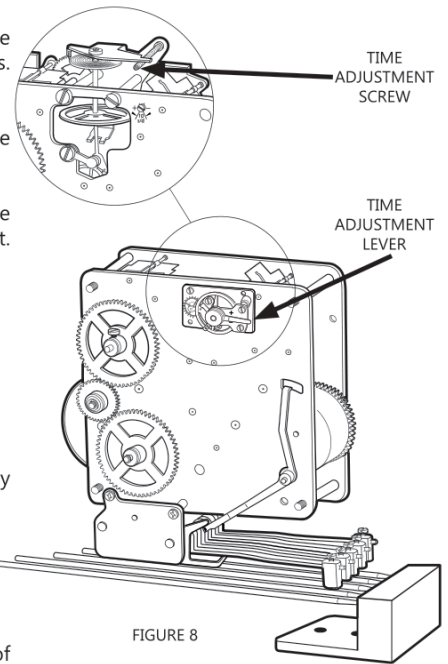


FIGURE 8

MOVE CHIME SELECTION LEVER ONLY WHEN MINUTE HAND IS IN SAFE TIME AREA



FIGURE 9

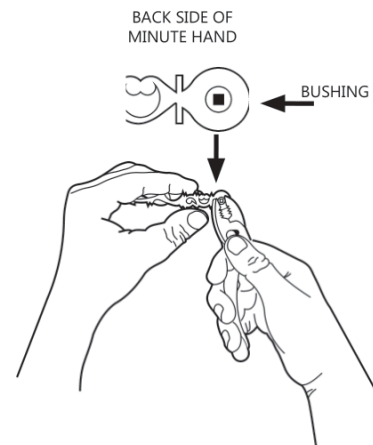


FIGURE 10

CLOCK DOES NOT STRIKE THE CORRECT HOUR



If after several hours of operation your clock does not strike the correct hour, grasp the HOUR HAND ONLY and move it forward or backward to line up with the correct hour on the dial indicated by the number of times the hour strikes. Rotating this hand independently will not damage the clock.

If the minute hand needs to be reset (to correct time), move the minute hand counterclockwise (backwards) as described in the "FOR ALL CLOCKS-SETTING TIME" section of these instructions.

CLOCK WILL NOT CHIME OR STRIKE

1. Make sure that the selection lever is not in the "silent" position or halfway between two chime melody positions?
2. Make sure that all the packing material is removed from the movement area.
3. Make sure that the clock is wound.
4. Check hammer adjustment and correct chime tone as necessary.
5. Lift all hammers approximately one inch and then let them return to their resting position.

CHIMES HAVE THE INCORRECT TONE



DO NOT ADJUST CHIME HAMMERS, unless the chime tone is incorrect. Chime tone may be affected by the hammers resting on the chime rods or striking the rods off center. Although the hammers were set at the factory, it is possible for them to get out of adjustment. For most clocks, it will not be necessary to adjust chime hammers. There are different types of chimes (rods, coils and bells).

Chime hammer arms are made of brass and can be safely bent. If necessary, adjust hammers so that they do not interfere with each other while moving or striking the chime rods, chime coil or chime bell. This is accomplished by bending the hammer arms slightly in the middle so that each

hammer rests approximately 1/8" from each rod or 1/8" from the coil or bell. (See figure 10).

DO NOT bend the chime rods or chime coil. Chime volume cannot be adjusted.

CLOCK WILL NOT RUN

Although it is not recommended that you repair your own clock, you should check these items before contacting Howard Miller, your dealer, or an Authorized Service Center. Do not attempt any adjustment you do not feel confident in making.

1. Has all the packing material been removed from the movement area?
2. Did you wind the clock?
3. Is the clock level?
4. Do the hands operate without interference? Do not let the hour hand hit the second hand. If the second hand is rubbing the dial, pull it out slightly. If the hour hand is rubbing against the back of the minute hand, the hour hand should be pushed closer to the dial (put your thumb nails on the center portion of the hour hand and push).
5. Make sure the pendulum is hanging correctly in the pendulum guide.

LIMITED WARRANTY

Howard Miller offers a limited 1-year warranty on your product from the original date of purchase or date of receipt if the product was a service award. In the unlikely event that your product appears to be malfunctioning or requires repair within the warranty period, please contact your retailer or the company who provided the item if it was an award. They will be your first resource for information regarding your warranty and service options.

If your product is more than one year old from the date of purchase or receipt as an award, your product is no longer under the manufacturer's warranty. Support for products that are no longer under warranty is available through the "Help Center" at www.howardmiller.com.

We recommend that you carefully read and follow all instructions provided with your Howard Miller product before pursuing service. These instructions will provide detailed information to answer most questions.

To find additional information regarding your product, to order parts or to find a service center, please go to the "Help Center" located at www.howardmiller.com. The "Help Center" also has links to product manuals, instructions, videos and frequently asked questions.

Before contacting your retailer, award provider or a service center, please have the following information available. The model number and serial number can be found on the Product Information Label which is normally on the back or bottom of the product.

Model Number: _____ Serial Number: _____
Date Purchased: _____ Where Purchased: _____

If the item was shipped directly to you, it is your responsibility to report freight loss or damage to the carrier and your retailer or award provider. If the carton indicates signs of "visible damage", instruct the driver to note the damage on the freight bill. If damage is found after the item has been delivered, notify your retailer or award provider and the carrier immediately. Many carriers require notification within 2 days. Failure to notify the carrier within their required time frame may waive your rights to a damage claim and you may be liable for the damage.

MINOR ADJUSTMENTS NOT COVERED UNDER WARRANTY

Repair service and/or parts to correct the following minor adjustments are at the consumer's expense:

1. **"Set-Up"**. Set-Up instructions have been provided with your Howard Miller product.
2. **Mechanical Movement Oiling and Cleaning**. The movement in your clock is a mechanical mechanism and, therefore, requires periodic oiling and cleaning depending on climatic and environmental conditions. Under normal conditions a movement requires oiling with high quality clock oil approximately every two years from the date of purchase. Please contact a qualified clock repair person or authorized Howard Miller Service Center for this service.
3. **Replacement of Suspension Spring**. Please return broken suspension spring to Howard Miller for proper identification. Replacement suspension springs are available from Howard Miller.
4. **Pendulum, Timing, and Chime/Strike Hammer Adjustments**. Instructions for these adjustments have been provided in this publication.

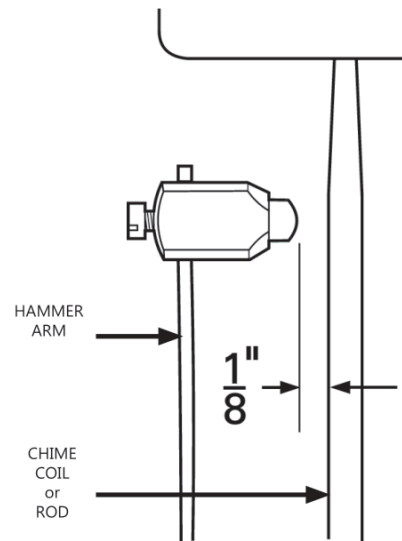


FIGURE 11

**Manual de Instrucciones de Reloj de Pared y Reloj de Manto de Chimenea
Manuel d' instructions pour les horloges murales et les horloges de cheminée
WAND- UND STANDUHR GEBRAUCHSANWEISUNGEN**

Español Français Deutsch 5-14

SIGA ESTOS SEIS PASOS PARA ARMAR RELOJES DE PARED Y DE REPISA.

• PARA ARMAR SU RELOJ

Dentro de la caja en que se envió el reloj encontrará una llave para la puerta de su reloj, b) una manija con la cu una llave que le dará cuerda a su reloj. Dependiendo del modelo, existe la posibilidad de que la caja incluya también un péndulo y una finial, empacados por separado. Por favor guarde todo el material original de empaque.

El acceso al mecanismo del reloj y su melodía es por la parte de atrás del reloj. (Ver figura 1). Howard Miller utiliza una combinación de ligas, espuma, metal y cartón para asegurar su envío. Corte las ligas de hule con un par de tijeras y descártelos. **NO JALE EN LAS LIGAS PARA ROMPERLAS.**

Retire la espuma y cartón de alrededor del mecanismo y área de melodía. Cuando posible, tirón en la dirección mostrada para quitar. (Ver figura 1 & 2)

Para relojes con péndulo, corte la liga de hule o retire el resorte de metal de la parte trasera del mecanismo, sujetando de un lado hasta que quede libre (ver figura 2).

Abra la puerta frontal y retire el inserto plástico blanco que sostiene las manecillas (este inserto no se usa en todos los modelos).

Siga las instrucciones de su reloj restantes.

• PARA RELOJES CON PENDULO – Siga estas instrucciones para colgar el péndulo.

NOTA: Para los siguientes pasos, recomendamos que utilice guantes de algodón, o una tela de material suave, al tocar las diferentes piezas.

Algunos péndulos tienen una capa protectora de plástico que cubren el disco del péndulo. Tenga cuidado al remover este plástico antes de colgar el péndulo.

Para colgar el péndulo, encuentre la guía del péndulo a través de cualquiera de los paneles de acceso. Mientras sostiene la guía del péndulo con una mano, introduzca el péndulo por la puerta con la otra mano. Coloque el gancho en la parte superior del péndulo, encima del pasador, o a través de la ranura de la guía, y baje el péndulo hasta que éste quede colgando de la guía del péndulo. (Ver figura 2).

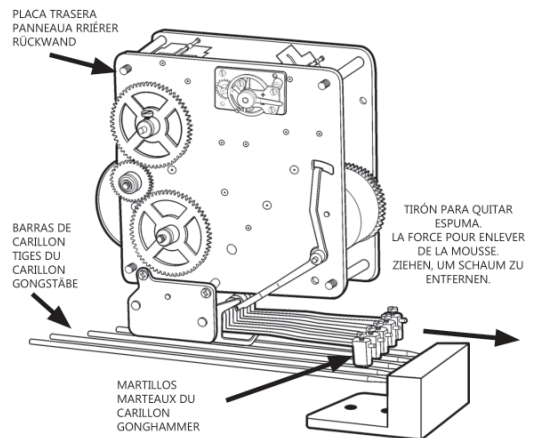


FIGURA 1
FIGURE 1
ABBILDUNG 1

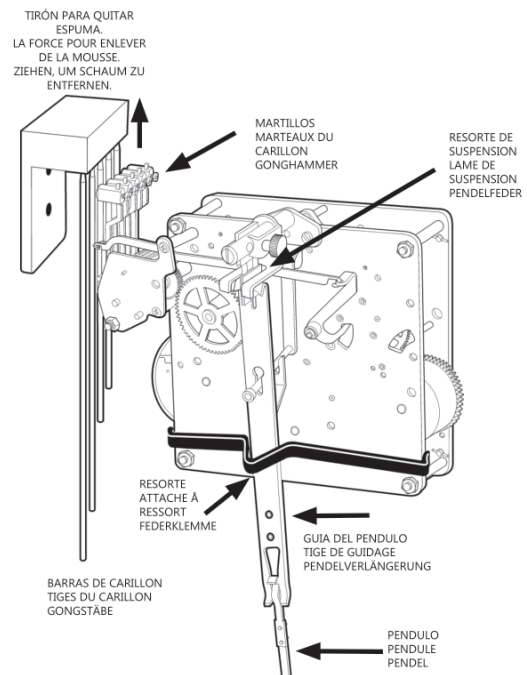


FIGURA 2
FIGURE 2
ABBILDUNG 2

OBSERVEZ LES ÉTAPES SUIVANTES POUR MONTER L'HORLOGE MURALE OU L'HORLOGE DE CHEMINÉE

• MONTAGE DE L'HORLOGE

Vous trouverez dans le carton d'expédition de l'horloge une clé qui permet de la remonter. Si un pendule et un ornement supérieur font partie de votre modèle, ils seront emballés séparément dans le carton d'expédition. Veuillez conserver tous les matériaux d'emballage d'origine.

On peut accéder au mouvement de l'horloge et au carillon par le panneau arrière de l'horloge. (reportez-vous à la figure 1). Howard Miller utilise un ensemble d'élastiques, de mousse, de styromousse, de métal et de carton pour maintenir le mouvement et le carillon en place durant l'expédition. Coupez les élastiques avec des ciseaux et jetez-les. **NE TIREZ PAS SUR LES ÉLASTIQUES POUR LES BRISER.**

Retirez la mousse, la styromousse et le carton qui entourent le mouvement et le carillon.

Quand possible, la force dans la direction montrée pour enlever. (voir la figure 1 et 2)

S'il s'agit d'une horloge munie d'un pendule, coupez l'élastique ou enlevez l'attache métallique à ressort du panneau arrière du mouvement en tirant sur l'une de ses extrémités pour la libérer (reportez-vous à la figure 2).

Ouvrez la porte avant et enlevez le bloc en plastique qui maintient l'aiguille des minutes sur 3 heures (ce bloc n'est pas utilisé sur tous les modèles).

Suivez les autres instructions qui s'appliquent à votre horloge.

• HORLOGES MUNIES D'UN PENDULE - Suivez ces instructions pour suspendre le pendule.

REMARQUE : pour procéder aux étapes suivantes, Howard Miller recommande le port de gants de coton ou l'utilisation d'un linge doux pour manipuler les pièces.

Certains pendules sont recouverts d'un film de plastique protecteur de couleur. Retirez-le avant de suspendre le pendule, le cas échéant.

Pour suspendre le pendule, identifiez la tige de guidage en regardant par la porte avant ou par l'un des panneaux arrière ou latéraux. Tenez la tige d'une main et insérez le pendule par la porte de l'horloge à l'aide de l'autre main. Placez le crochet du pendule par-dessus la goupille ou dans la fente de la tige et abaissez-le pour qu'il y soit solidement suspendu (figure 2).

FOLGEN SIE DIESEN ANWEISUNGEN ZUR MONTAGE DER WAND- UND STANDUHREN.

• MONTAGE IHRER UHR

Im Versandkarton der Uhr befindet sich der Schlüssel zum Aufziehen der Uhr. Falls bei Ihrem Modell enthalten, befindet sich im Karton eventuell auch separat verpackt ein Pendel und ein Pendelknopf. Bewahren Sie die Originalverpackung gut auf.

Der Zugang zum Uhrwerk und dem Geläut befindet sich auf der Rückseite der Uhr. (Siehe Abbildung 1) Howard Miller verwendet eine Kombination von Gummibändern, Schaummaterial, Schaumstoff, Metall und Karton, um Uhrbewegung und Geläut während dem Versand zu schützen. Die Gummibänder mit einer Schere durchschneiden und wegwerfen. **DIE GUMMIBÄNDER NICHT DURCH ZIEHEN ZERREISSEN.**

Schaummaterial, Schaumstoff und Karton um Uhrwerk und Geläut entfernen.

Wenn möglich, Ziehen in der Richtung, die gezeigt ist, um umzuziehen. (Siehe Abbildung 1 und 2)

Bei Uhren mit Pendel das Gummiband durchschneiden oder die Metallfederklemme von der Rückseite des Uhrwerkes entfernen. Dabei die Enden der Federklemme nacheinander vom Uhrek abziehen. (Siehe Abbildung 2).

Die Vordertür öffnen und die weiße Plastikeinlage entfernen, wobei der Minutenzeiger in der 3-Uhr-Position festgehalten wird (diese Einlage wird nicht bei allen Modellen verwendet).

Folgen Sie den nachfolgenden, jeweils Ihre Uhr betreffenden Anweisungen.

• BEI UHREN MIT PENDEL - Folgen Sie diesen Anweisungen zum Aufhängen des Pendels.

HINWEIS: Für die folgenden Schritte empfiehlt Howard Miller, daß Sie Baumwollhandschuhe anziehen oder ein weiches Tuch benutzen, wenn Sie die Teile berühren.

Bei manchen Pendeln ist die Pendelscheibe mit einer farbigen Plastikfolie geschützt. Entfernen Sie diese Plastikfolie sorgfältig, ehe Sie das Pendel aufhängen.

Zum Aufhängen des Pendels suchen Sie zunächst nach der Pendelverlängerung durch die Vordertür oder eins der Panele an der Seite, bzw. Rückseite. Während Sie die Pendelstabaufhängung mit der einen Hand halten, führen Sie das Pendel mit der anderen Hand durch die Vordertür. Bringen Sie den Pendelhaken auf der Pendelstütze oder durch den Schlitz in der Pendelverlängerung an und lassen Sie das Pendel herab, bis es sicher an der Pendelverlängerung eingehängt ist. (Siehe Abbildung 2).

• **PARA RELOJES QUE TIENEN PESAS COLGANTES** – Siga estas instrucciones para colgar las pesas.

NO RETIRE LOS EMPAQUES DE ESPONJA hasta después de ocho (8) horas de haber estado operando su reloj.

Asegúrese también de que el cable esté en la polea. Cuelgue las pesas en la polea. (Ver figura 3).

• **PARA TODOS LOS RELOJES - AJUSTE DE LA HORA** - moviendo las manecillas

Para poner la hora, mueva **UNICAMENTE EL MINUTERO** hacia atrás, hasta que ambas manecillas indiquen la hora correcta. **NO MUEVA LA MANECILLA DE LA HORA AL PONER LA HORA.** Esta manecilla se moverá automáticamente al mover la otra. Al mover el minuterero hacia atrás, no es necesario esperar a que el reloj marque sonoramente cada cuarto de hora. (Ver figura 4).

El mecanismo cuenta con un sincronizador interno que se ajusta con la hora. Si al poner la hora el carillón no se encuentra sincronizado, permita que opere 2 horas, durante el cual se corregirá automáticamente.

• **PARA TODOS LOS RELOJES – PARA OPERAR EL RELOJ**

Los relojes sin péndulo empezarán automáticamente cuando se le dé cuerda al reloj.

Para accionar los relojes con péndulo, introduzca sus manos a través de la puerta frontal del reloj y coloque su mano en el disco del péndulo.

Mueva el péndulo hacia el extremo izquierdo, y suéltelo. Deje que opere el reloj algunos minutos hasta que el péndulo tenga su propio ritmo. (Ver figura 5).

Si su reloj se adelanta o se atrasa después de 24 horas, vea la sección de Información General para ajustar y regular la marcación del tiempo de su reloj.

INFORMACION GENERAL

ETIQUETA DE INFORMACION DEL PRODUCTO

La etiqueta de información del producto le indica tanto el modelo del reloj como su número de serie. Ambos (número del modelo y número de serie) son esenciales para obtener refacciones o servicio. Esta etiqueta de información del producto se puede encontrar en varios lugares: afuera de la caja de envío, detrás de la puerta, detrás del reloj, arriba del reloj, o dentro del reloj arriba y detrás del disco. Favor de referirse a esta etiqueta cuando contacte al distribuidor de este reloj, o directamente con Howard Miller. Para facilitar la referencia, le sugerimos que se tome un momento para registrar estos números. Agregue su recibo o factura a este manual para referencias futuras.

PARA DARLE CUERDA A SU RELOJ

Inserte la llave en los hoyos que se encuentran en la carátula. (Ver figura 6). Dependiendo del modelo de su reloj, pueden haber 1, 2, o 3 hoyos. Dele vuelta a la llave hacia la derecha hasta que el resorte quede duro y no gire más. Para relojes con péndulos colgantes, eleve las pesas utilizando la manija. **NO ELEVE** las pesas con sus manos mientras le da vuelta a la manija. Dele cuerda a su reloj una vez por semana.



FIGURA 3
FIGURE 3
ABBILDUNG 3

MANECILLA DE LA HORA
AIGUILLE DES HEURES
STUNDENZEIGER



MINUTERO
AIGUILLE DES MINUTES
MINUTENZEIGER

HACIA ATRAS
SENS ANTIHORAIRE
GEGEN DEN
UHRZEIGERSINN

FIGURA 4
FIGURE 4
ABBILDUNG 4

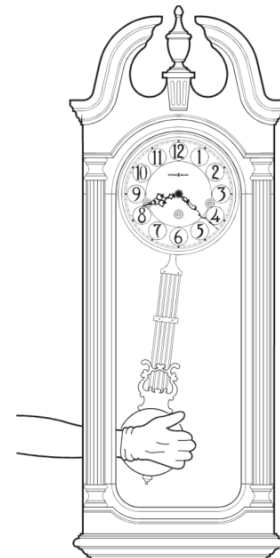
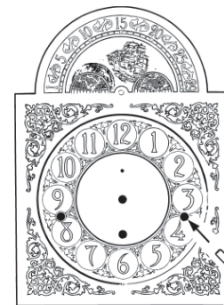


FIGURA 5
FIGURE 5
ABBILDUNG 5



HOYO PARA LA MANIJA
ORIFICE DE CLÉ
SCHLÜSSELLOCH

MANIJA
MANIVELLE
AUFZIEHLSCHLÜSSEL

KEY
CLÉ
SCHLÜSSEL

FIGURA 6
FIGURE 6
ABBILDUNG 6

- **HORLOGES MUNIES DE POIDS - Suivez ces instructions pour suspendre les poids.**

N'enlevez pas les blocs de styrofoam tant que votre horloge n'ait opéré depuis au moins huit (8) heures.

Vérifiez que les poids sont solidement assemblés. Assurez-vous que chaque chaîne est sur sa roue. Suspendez chaque poids au crochet solide se trouvant à l'extrémité de la chaîne, jamais sur un maillon (figure 3).

- **POUR TOUTES HORLOGES - RÉGLAGE DE L'HEURE (déplacement des aiguilles)**

Pour régler l'heure, déplacez **SEULEMENT L'AIGUILLE DES MINUTES** dans le sens contraire des aiguilles d'une montre (à l'envers) jusqu'à ce que les deux aiguilles indiquent la bonne heure (figure 4). **NE DÉPLACEZ PAS L'AIGUILLE DES HEURES POUR RÉGLER L'HEURE.** Celle-ci se déplace automatiquement lorsque celle des minutes bouge. Le fait de tourner dans le sens antihoraire empêche d'avoir à attendre la fin du carillon lorsque l'aiguille passe les quarts d'heure. Le mouvement comprend un dispositif d'autocorrection qui synchronise le carillon avec le temps. S'il ne joue pas correctement après avoir réglé l'heure, laissez-le fonctionner pendant deux heures pour qu'il se corrige lui-même.

- **POUR TOUTES HORLOGES - MISE EN MARCHÉ DE L'HORLOGE**

Les horloges sans pendule se mettent automatiquement en marche lorsqu'elles sont remontées.

Pour mettre une horloge à pendule en marche, ouvrez la porte avant de l'horloge et placez la main sur le côté de la lentille du pendule. Ramenez le pendule à l'extrême gauche et relâchez-le. Laissez l'horloge fonctionner pendant quelques minutes, jusqu'à ce que le pendule commence à se balancer de façon uniforme (figure 5).

Si l'horloge avance trop rapidement ou trop lentement après 24 heures, reportez-vous à la section Généralités pour en régulariser le mécanisme.

GÉNÉRALITÉS

ÉTIQUETTE DE RENSEIGNEMENT SUR LE PRODUIT

Cette étiquette indique les numéros de modèle et de série de l'horloge. Ces derniers sont absolument nécessaires pour obtenir des pièces ou une réparation. L'étiquette peut se trouver à différents endroits : à l'extérieur du carton d'expédition, derrière la porte, au dos de l'horloge, sur le dessus de celle-ci, dans le coin supérieur du fond de l'horloge ou dans celle-ci, au-dessus du dos du cadran. Reportez-vous à cette étiquette lorsque vous prenez contact avec votre représentant ou avec Howard Miller. Pour plus de commodité, nous vous suggérons de prendre un moment pour enregistrer ces chiffres. Rattachez également votre reçu de caisse à ce manuel pour pouvoir vous y référer plus tard.

REMONTAGE DE L'HORLOGE

Introduisez la clé de remontage dans les orifices situés sur la face du cadran (reportez-vous à la figure 6). Selon le modèle d'horloge, il peut y avoir un, deux ou trois orifices de clé. Tournez la clé vers la droite jusqu'à ce que le ressort soit serré et que vous ne puissiez plus tourner. Si votre horloge est munie de poids, élevez les poids à l'aide de la manivelle. ÉVITEZ de lever les poids à la main pendant que vous utilisez la manivelle. Remontez l'horloge une fois par semaine.

- **BEI UHREN, DIE ÜBER HÄNGEGEWICHTE VERFÜGEN - Folgen Sie diesen Anweisungen zum Aufhängen der Gewichte.**

ENTFERNEN SIE DIE STYROPORSTÜTZEN ERST, nachdem Ihre Uhr bereits mindestens acht (8) Stunden gelaufen ist.

Überprüfen Sie die Gewichte um sicherzustellen, daß sie fest eingehängt worden sind. Überprüfen Sie, daß sich das Drahtseil in der Seilführungsrolle befindet. Hängen Sie die Gewichte an die Seilführung an. (Siehe Abbildung 3).

- **BEI ALLEN UHREN - EINSTELLEN DER ZEIT** (Bewegen der Zeiger) Um die Zeit einzustellen, bewegen Sie **NUR DEN MINUTENZEIGER** gegen den Uhrzeigersinn (rückwärts) bis Stunden- und Minutenzeiger die richtige Zeit anzeigen. (Siehe Abbildung 4). **DREHEN SIE NICHT DEN STUNDENZEIGER, WENN SIE DIE ZEIT EINSTELLEN.** Der Stundenzeiger wird sich automatisch mitbewegen, wenn der Minutenzeiger bewegt wird. Indem Sie den Minutenzeiger gegen den Uhrzeigersinn bewegen, brauchen Sie nicht auf das Schlagen der Uhr zu warten, während der Minutenzeiger an jeder Viertelstunde vorbeigeführt wird. Das Uhrwerk hat einen sich selbst korrigierenden Mechanismus, der das Schlagen des Gongs mit der Uhrzeit synchronisiert. Wenn der Gong nach dem Einstellen der Uhr nicht richtig schlägt, lassen Sie die Uhr 2 Stunden laufen, um sich von selbst zu korrigieren.

- **BEI ALLEN UHREN - STARTEN DER UHR**

Uhren ohne Pendel starten automatisch, sobald die Uhr aufgezogen wird. Zum Starten der Uhren mit Pendel, durch die Vordertür der Uhr greifen und Ihre Hand an die Seite der Pendelscheibe legen. Bewegen Sie das Pendel von der Mitte aus weit nach links und lassen Sie los. Lassen Sie die Uhr ein paar Minuten laufen, bis sich das Pendel in eine gleichmäßig schwingende Bewegung einspielt. (Siehe Abbildung 5).

Wenn Ihre Uhr nach 24 Stunden entweder an Zeit gewinnt oder verliert, sehen Sie in dem Abschnitt Allgemeine Informationen nach, wie Sie das Zeitmessern Ihrer Uhr regulieren können.

ALLGEMEINE INFORMATIONEN

PRODUKTINFORMATIONSETIKETT

Das Produktinformationsetikett zeigt die Modell- und Seriennummer der Uhr an. Die Modell- und Seriennummer der Uhr sind äußerst wichtig für den Service und den Erhalt von Ersatzteilen. Das Produktinformationsetikett ist entweder an der Rückseite oder Unterseite der Uhr angebracht. Bei Anfragen bei Ihrem Händler oder bei Howard Miller beziehen Sie sich bitte auf dieses Etikett. Zur Vereinfachung der Bezugnahme empfehlen wir Ihnen, sich einen Moment Zeit zu nehmen, um diese Zahlen aufzuzeichnen. Fügen Sie auch diesem Handbuch Ihren Belegschein für spätere Bezugnahme bei.

AUFZIEHEN IHRER UHR

Den Schlüssel zum Aufziehen in die im Ziffernblatt befindlichen Löcher einsetzen. (Siehe Abbildung 6). Je nach Modell Ihrer Uhr, gibt es 1, 2 oder 3 Löcher für den Schlüssel zum Aufziehen. Den Schlüssel im Uhrzeigersinn drehen, bis die Feder fest ist und sich nicht mehr drehen läßt. Bei Uhren mit Hängegewichten werden die Gewichte mit Hilfe der Kurbel nach oben gezogen. Die Gewichte NICHT per Hand hochziehen, während die Kurbel betätigt wird. Ziehen Sie Ihre Uhr einmal pro Woche auf.

PARA REGULAR EL TIEMPO

Primer Día



1. Elija una hora del día que le permita revisar su reloj a la misma hora durante un período mínimo de 6 días.
2. Escriba la hora que eligió _____.
3. Revise la hora correcta.
4. Ponga las manecillas en la hora correcta (como se indica en la sección de regular la hora).

Día Dos, Tres, Cuatro, Cinco, Seis (de Ser Necesario)

1. Revise la hora correcta.
2. Compare la hora correcta con la hora que indique su reloj. Está adelantado o atrasado?
3. Ajuste la tuerca del disco una revolución completa para cada medio minuto por día. (24 horas).
4. Revise la hora correcta.
5. Ponga el minutero en la hora correcta. Siga los mismos pasos al día siguiente.

RELOJES CON PENDULO



Para cambiar la velocidad en que marca la hora el reloj, basta con mover el disco del péndulo hacia arriba o hacia abajo. El disco del péndulo se puede mover hacia arriba o abajo enroscando la tuerca de ajuste.

Para bajar la velocidad, baje el disco del péndulo desenroscando la tuerca de ajuste hacia la izquierda. Para incrementar la velocidad, levante el disco del péndulo enroscando la tuerca de ajuste hacia la derecha. (Ver figura 7).

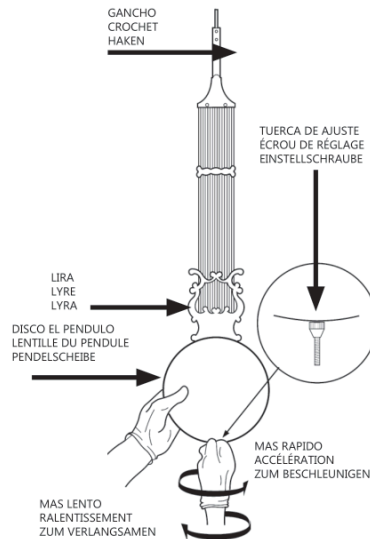


FIGURA 7
FIGURE 7
ABBILDUNG 7

RELOJES SIN PENDULO

Dependiendo de su modelo de reloj, el cambio de la velocidad de mantenimiento del tiempo se logra moviendo la palanca de ajuste de tiempo o girando el tornillo de ajuste de tiempo ubicado en la parte posterior del movimiento del reloj (ver figura 8). Para reducir la velocidad del cronometraje (el reloj corre rápido), mueva la palanca de ajuste de la hora hacia abajo hacia el "-" (menos) o gire el tornillo de ajuste de la hora en el sentido de las agujas del reloj hacia el "-". Para aumentar la velocidad del cronometraje (el reloj va lento), haga lo contrario moviendo la palanca de ajuste de tiempo hacia arriba o girando el tornillo de ajuste de tiempo en sentido antihorario.

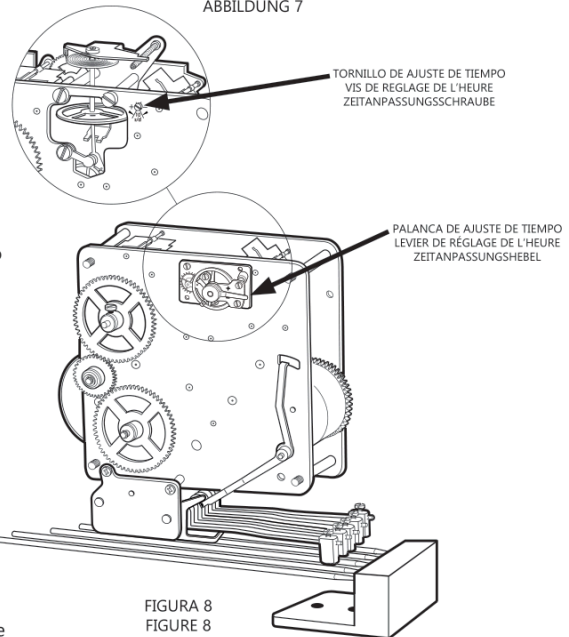


FIGURA 8
FIGURE 8
ABBILDUNG 8

SELECCIÓN DE CAMPANA

Se escoge la melodía de la campana moviendo la palanca que está sobre o cerca de la esfera del reloj. Algunos modelos tocan solamente la melodía Westminster mientras otros modelos le ofrecen una selección de tres melodías.

Si la esfera indica "WESTM-SILENT" o "STRIKE-SILENT", su reloj tiene tan solo el sonido de Westminster. Si su reloj tiene un triple movimiento de campana, la palanca de la campana identifica las selecciones de melodías.

Nunca cambie su selección mientras el reloj está tocando la melodía o está cerca de los puntos de desembrague. Vea la figura 9 para darse cuenta cuándo es posible mover la palanca de selección de melodías sin causar daño al movimiento.

CUIDADO Y MANTENIMIENTO

Su reloj requiere poco cuidado y mantenimiento. A continuación están los pasos que debe seguir para mantener la calidad excepcional de su reloj Howard Miller.

- De cuerda a su reloj cada siete días.
- Encere y pula la cabina del reloj con tanta frecuencia como lo hace con sus otros muebles. Use líquido o cera sin silicio.
- Cuando limpie el vidrio, use un limpiador de vidrios sin amoníaco. Nunca rocíe el limpiador directamente sobre el reloj.
- Para relojes con pesas colgantes, revise de vez en cuando las pesas para asegurarse que estén ensambladas firmemente.
- Es recomendable que el mecanismo de su reloj se lo aceite cada dos años a partir de la fecha de compra y se haga una limpieza completa del mismo cada cinco o diez años dependiendo de las condiciones climáticas. Una atmósfera extremadamente seca, húmeda o salada, calor o frío pueden hacer necesario un servicio de mayor frecuencia. Howard Miller no recomienda que este servicio al mecanismo del reloj lo realice usted. Póngase en contacto con un centro de servicio autorizado por Howard Miller.

MUEVA EL BOTON SELECTOR ÚNICAMENTE CUANDO EL MINUTERO SE ENCUENTRE EN EL AREA DE SEGURIDAD
NE DÉPLACEZ LE LEVIER DE SÉLECTION DES MÉLODIES QUE LORSQUE L'AGUILLE DES MINUTES EST DANS UNE ZONE SÉCURITAIRE
DEN GONGAUSSWAHLHEBEL NUR BEWEGEN, WENN SICH DER MINUTENZEIGER IN DER „SICHEREN ZONE“ BEFINDET

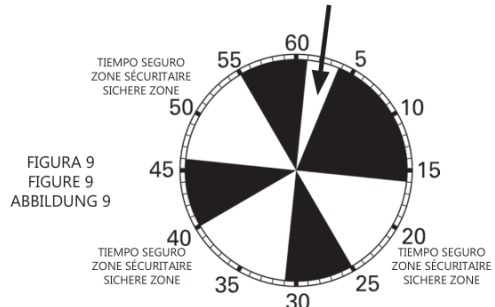


FIGURA 9
FIGURE 9
ABBILDUNG 9

RÉGULARISATION DE L'HEURE



Le premier jour

1. Sélectionnez une heure de la journée vous permettant de vérifier votre horloge à la même heure pendant au moins six jours.
2. Inscrivez l'heure choisie _____.
3. Obtenez l'heure exacte.
4. Remplacez l'aiguille des minutes pour correspondre à l'heure exacte.

Les cinq jours suivants (au besoin)

1. Obtenez l'heure exacte.
2. Comparez l'heure indiquée sur votre horloge avec l'heure exacte. Votre horloge tourne-t-elle trop rapidement ou trop lentement?
3. Réglez l'instrument selon les instructions détaillées des sections « Horloges munies d'un pendule » ou « Horloges sans pendule ».
4. Obtenez l'heure exacte.
5. Remplacez l'aiguille des minutes pour correspondre à l'heure exacte.

Horloges munies d'un pendule



La vitesse du mouvement peut être modifiée en déplaçant la lentille du pendule vers le haut ou vers le bas. Ceci se fait en tournant l'écrou de réglage. Pour ralentir l'horloge, déplacez la lentille vers le bas en tournant l'écrou vers la gauche.

Pour accélérer l'horloge, déplacez la lentille vers le haut en tournant l'écrou vers la droite (figure 7).

Horloges sans pendule

Selon votre modèle d'horloge, la modification de la vitesse de chronométrage s'effectue en déplaçant le levier de réglage de l'heure ou en tournant la vis de réglage de l'heure située à l'arrière du mouvement de l'horloge (voir figure 8). Pour ralentir la vitesse de chronométrage (l'horloge tourne vite), abaissez le levier de réglage de l'heure vers le «-» (moins) ou tournez la vis de réglage de l'heure dans le sens des aiguilles d'une montre vers le «-». Pour augmenter la vitesse de chronométrage (l'horloge tourne lentement), faites l'inverse en déplaçant le levier de réglage de l'heure vers le haut ou en tournant la vis de réglage de l'heure dans le sens antihoraire.

SÉLECTION DU CARILLON

Le choix de la mélodie du carillon s'effectue en déplaçant un levier sur ou à proximité du cadran de l'horloge. Certains modèles ne jouent que le carillon Westminster, alors que d'autres offrent une sélection de trois mélodies.

Si le cadran indique «WESTM-SILENT» ou «STRIKE-SILENT», l'horloge ne possède que le carillon Westminster. Si l'horloge possède un triple mouvement de carillon, le levier du cadran identifie les choix de mélodie.

Ne jamais changer la sélection pendant que l'horloge carillonne ou se trouve en position proche des points de déclenchement. Voir la figure 9 pour savoir quand il n'y a aucun risque à déplacer le levier de sélection de la mélodie sans endommager le mouvement.

SOINS ET ENTRETIEN

Votre horloge demande peu de soins et d'entretien. La liste ci-dessous donne les points à suivre pour conserver la qualité exceptionnelle de votre horloge Howard Miller.

- Remontez votre horloge tous les sept jours.
- Cirez et polissez le boîtier de votre horloge aussi fréquemment que pour vos autres meubles. Utilisez un liquide sans silicone ou une cire en pâte.
- Pour nettoyer le carreau, utilisez un nettoyant pour verre sans ammoniaque. Ne vaporisez jamais le nettoyant directement sur l'horloge.
- Pour les horloges munies de poids suspendus, vérifiez les poids à l'occasion pour vous assurer qu'ils sont toujours bien fixés.
- Nous vous recommandons d'huiler le mouvement de votre horloge tous les deux ans à compter de la date d'achat et de le nettoyer à fond tous les cinq à dix ans en fonction des conditions climatiques. L'air extrêmement sec, humide ou salé, la chaleur ou le froid peuvent imposer un entretien plus fréquent. Howard Miller ne vous recommande pas de réparer vous-même le mouvement de l'horloge. Adressez-vous à un centre de réparations agréé Howard Miller.

ZEITMESSUNG REGULIEREN



Tag Eins

1. Wählen Sie eine Zeit am Tag, zu der Sie Ihre Uhr zur gleichen Zeit über mindestens sechs Tage hinweg prüfen können.
2. Notieren Sie sich die gewählte Zeit _____.
3. Überprüfen Sie die genaue Zeit.
4. Stellen Sie den Minutenzeiger genau auf die exakte Zeit ein.

Tag Zwei, Drei, Vier, Fünf, Sechs (falls notwendig)

1. Überprüfen Sie die genaue Zeit.
2. Vergleichen Sie die angezeigte Zeit auf Ihrer Uhr mit der genauen Zeit. Geht Ihre Uhr zu schnell oder zu langsam?
3. Wie unter "Uhren mit Pendel" oder "Uhren ohne Pendel" ausführlich beschrieben einstellen.
4. Überprüfen Sie die genaue Zeit.
5. Stellen Sie den Minutenzeiger erneut genau auf die exakte Zeit.

Uhren mit Pendel



Um die Zeitmessungsgeschwindigkeit zu ändern, bewegen Sie die Pendelscheibe nach oben oder nach unten. Die Pendelscheibe kann nach oben oder unten bewegt werden, indem Sie die Einstellschraube drehen. Um die Uhr zu verlangsamen, bewegen Sie die Pendelscheibe nach unten, indem Sie die Einstellschraube nach links drehen.

Um die Uhr zu beschleunigen, bewegen Sie die Pendelscheibe nach oben, indem Sie die Einstellschraube nach rechts drehen. (Siehe Abbildung 7).

Uhren ohne Pendel

Abhängig von Ihrem Uhrenmodell können Sie die Geschwindigkeit der Zeitmessung ändern, indem Sie den Zeiteinstellhebel bewegen oder die Zeiteinstellschraube auf der Rückseite des Uhrwerks drehen (siehe Abbildung 8). Um die Geschwindigkeit der Zeitmessung zu verlangsamen (die Uhr läuft schnell), bewegen Sie den Zeiteinstellhebel nach unten in Richtung „-“ (Minus) oder drehen Sie die Zeiteinstellschraube im Uhrzeigersinn in Richtung „-“. Um die Geschwindigkeit der Zeitmessung zu erhöhen (die Uhr läuft langsam), machen Sie das Gegenteil, indem Sie den Zeiteinstellhebel nach oben bewegen oder die Zeiteinstellschraube gegen den Uhrzeigersinn drehen.

MELODIEWAHL

Zum Wählen der Melodie wird ein Hebel auf oder neben dem Zifferblatt verstellt. Einige Modelle spielen nur die Westminstermelodie. Bei anderen stehen drei Melodien zur Wahl.

Wenn auf dem Zifferblatt „WESTM-SILENT“ (WESTM-AUS) oder „STRIKESILENT“ (SCHLAG-AUS) angezeigt ist, spielt die Uhr nur die Westminster-Melodie. Wenn drei Melodien zur Verfügung stehen, wird die gewünschte Melodie durch den Melodiewahlhebel bestimmt.

Die Melodiewahl darf niemals verändert werden, während die Uhr schlägt oder kurz vor dem Schlagen steht.

In Abbildung 9 ist dargestellt, in welchem Bereich der Melodiewahlhebel verstellt werden kann, ohne das Gehwerk zu beschädigen.

PFLEGE UND WARTUNG

Diese Uhr erfordert nur wenig Pflege und Wartung. Nachfolgend sind einige Schritte aufgeführt, um die außerordentliche Qualität Ihrer Howard Miller Uhr zu erhalten.

- Ziehen Sie die Uhr einmal pro Woche auf.
- Wachsen und polieren Sie das Uhrengehäuse so oft, wie Ihre anderen Möbel. Verwenden Sie ein silikonfreies Mittel oder Möbelwachs.
- Verwenden Sie zum Reinigen von Glas ein ammoniakfreies Reinigungsmittel. Sprühen Sie das Reinigungsmittel nie direkt auf die Uhr.
- Bei Uhren mit hängenden Gewichten sollten Sie die Gewichte regelmäßig überprüfen, um sicherzustellen, dass diese fest montiert sind.
- Es wird empfohlen, das Gerwerk der Uhr alle zwei Jahre ab Kaufdatum zu ölen, und die Uhr je nach Klimabedingungen alle fünf bis zehn Jahre gründlich zu reinigen. Bei extrem trockener, feuchter oder salziger Luft bzw. bei extremer Hitze oder Kälte ist ggf. eine frühere Wartung notwendig. Howard Miller empfiehlt, das Gerwerk von einem Fachmann warten zu lassen. Wenden Sie sich bitte an ein autorisiertes Kundendienstcenter von Howard Miller.

Asegure de que todas las instrucciones incluidas aquí fueron cuidadosamente efectuadas. Estas instrucciones le ofrecerán información detallada, la cual contestará la mayoría de sus preguntas. Para ver un listado de preguntas frecuentes visite el sitio web de Howard Miller (www.howardmiller.com) con ello podría convenientemente resolver su problema o encontrar respuestas a sus preguntas.

SI SU RELOJ NO SUENA CUANDO DEBE



Si su reloj suena más de un minuto antes o después de cuando debe, debe quitar la manecilla del minuto para ajustarlo.

PRECAUCION: Al hacer esta operación asegúrese de no rayar la tuerca, la manecilla o la carátula del reloj.

1. Cuando el reloj comience a sonar, pare el péndulo y anote la hora.
2. Usando unas pinzas o alicates, cuidadosamente quite la tuerca que sostiene a la manecilla del minuto, girándola hacia la izquierda, mientras que al mismo tiempo mantiene firme al minutero.
3. Jale la manecilla, sosteniéndola en el punto donde se inserta al eje. Esta manecilla no está enroscada, y debe poder deslizarse fácilmente. El minutero tiene una orilla que sobresale de la parte de atrás, alrededor del hoyo donde se inserta el eje. Este es el casquillo. Usando las pinzas, apriete firmemente el casquillo a los lados, asegurándose de que no se pueda resbalar. Con su otra mano, gire la manecilla la distancia necesaria para que suene a la hora correcta. (Ver figura 10).
4. Ponga nuevamente la manecilla en el eje, y enrosque la tuerca con sus dedos. Asegúrese de que ambas manecillas indiquen la hora que anotó en el paso 1, además de la corrección en el paso 3. Si el minutero no apunta al número correcto, repita los pasos 2 y 3.
5. Apriete la tuerca con las pinzas. No lo apriete demasiado.
6. Comience la operación del péndulo.
7. Ajuste la hora moviendo **UNICAMENTE EL MINUTERO** hacia atrás, como se describe en el Paso 5 de la sección "Armando Su Reloj".

EJEMPLO: El reloj suena a la 1:10, cuando debe sonar a la 1:15.

Paso 1: Cuando el reloj suene a la 1:10, pare el péndulo y anote la hora (1:10). Paso 2: Cuidadosamente quite la tuerca. Paso 3: Jale la manecilla del minuto. Sostenga el casquillo de los lados, y dele vuelta la distancia necesaria para ajustarlo 5 minutos. Paso 4: Coloque el minutero de tal manera que éste indique 1:15. Instale nuevamente la tuerca. Paso 5: Apriete la tuerca. Paso 6: Comience la operación del péndulo. Paso 7: Ponga la hora correcta a su reloj.

SI SU RELOJ NO INDICA LA HORA CORRECTA



Si después de varias horas de estar operando, su reloj no indica sonoramente la hora correcta, mueva **UNICAMENTE LA MANECILLA DE LA HORA** hacia adelante o hacia atrás, de tal modo que quede alineado con el número de veces que suene el carillón. El rotar esta manecilla independientemente de la otra no daña el reloj.

Si el minutero necesita ser recalibrado (para corregir la hora), mueva el minutero en sentido antihorario (hacia atrás) según se describe en la sección "PARA TODOS LOS RELOJES_PONER LA HORA" de este instructivo.

SI EL RELOJ NO INDICA LA HORA AUDIBLEMENTE

1. Asegúrese de que la selección del carillón no esté en la posición de "silent" (silencio), o que se encuentre en medio de dos posiciones.
2. Asegúrese de que todo el material de empaque usado para el transportador se haya removido del área del mecanismo.
3. Asegúrese de que tenga cuerda su reloj.
4. Para modelos con silenciador nocturno, asegúrese que el reloj no esté en esa posición. (Para referencias, favor de ver la sección de OPCIÓN DE SILENCIADOR NOCTURNO en Información General.)
5. Eleve los martillos aproximadamente una pulgada (2.5 cms.), y después deje que regresen a su posición de descanso.

CUANDO LA MELODÍA NO TIENE LA TONALIDAD CORRECTA



NO AJUSTE LOS MARTILLOS, a menos que el tono sea incorrecto. El tono puede ser afectado por los martillos que no peguen directamente en las barras, o si los martillos están incorrectamente tocando las barras durante reposo. Aunque estos fueron ajustados en la fábrica, es posible que se hayan desajustado. Para la mayoría de los relojes, no será necesario ajustar los martillos. Existen diferentes tipos de carillones, tubos y barras; favor de encontrar el suyo a continuación.

BARRA DE CARILLON - los brazos de los martillos de este tipo de barra son hechos de cobre, y por lo tanto pueden ser doblados con facilidad. En caso de ser necesario, ajuste los martillos de tal manera que no interfieran unos con los otros. Esto se logra doblando los brazos de los martillos en medio, para que cada martillo descansa aproximadamente 1/8" (0,25 cm.) de la barra. (Ver figura 11). **NO DOBLE** las barras. El volumen no puede ser ajustado en un mecanismo con barras de carillón.

PARTE DE ATRAS DEL MINUTERO
DOS DE L'AIGUILLE DES MINUTES
RÜCKSEITE DES MINUTENZEIGERS

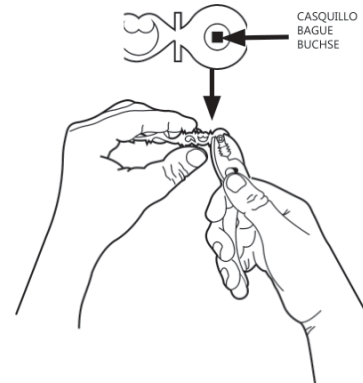


FIGURA 10
FIGURE 10
ABBILDUNG 10

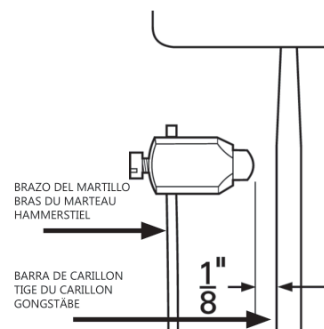


FIGURA 11
FIGURE 11
ABBILDUNG 11

Assurez-vous d'avoir suivi attentivement toutes les instructions fournies avec votre horloge Howard Miller. Ces dernières répondent en détail à la plupart des questions. Rendez visite au site web de Howard Miller (www.howardmiller.com) pour consulter la liste des questions fréquemment posées pour résoudre tout problème ou obtenir des réponses à vos questions.

LE CARILLON NE JOUE PAS À LA BONNE HEURE



Si le carillon accuse un retard ou une avance de plus d'une minute, il faut retirer l'aiguille des minutes et la régler.

ATTENTION : lorsque vous procédez à ce réglage, ayez soin de ne pas égratigner l'écrou, l'aiguille ou le cadran.

1. Lorsque le carillon commence à jouer, arrêtez le pendule et prenez note de l'heure.
 2. À l'aide de pinces, retirez soigneusement le petit écrou qui retient l'aiguille des minutes en le tournant dans le sens contraire des aiguilles d'une montre, tout en retenant l'aiguille du bout des doigts au niveau de l'écrou.
 3. Retirez l'aiguille de son arbre en l'agrippant du bout des doigts à l'endroit où elle est rattachée à l'arbre. Tirez droit. Elle n'est pas vissée et devrait s'enlever facilement. Son dos est légèrement bombé autour de l'orifice de l'arbre; il s'agit de la bague. Servez-vous de pinces pour en agripper solidement les côtés de façon à ce qu'elle ne puisse s'échapper. Avancez ou reculez l'aiguille de l'autre main, de la distance suffisante pour que le carillon joue à la bonne heure (figure 10).
 4. Rattachez l'aiguille à l'arbre et vissez bien l'écrou à la main. Assurez-vous que l'aiguille pointe vers l'heure notée à l'étape 1, plus ou moins toute correction effectuée à l'étape 3. Si ce n'est pas le cas, répétez les étapes 2 et 3.
 5. Vissez bien l'écrou avec les pinces, en ayant soin de ne pas trop serrer.
 6. Mettez le pendule en marche.
 7. Réglez l'heure en déplaçant SEULEMENT L'AIGUILLE DES MINUTES dans le sens antihoraire tel que décrit à l'étape 5 de la section Montage. EXEMPLE : le carillon joue à 13h10 plutôt qu'à 13h15.
- Étape 1: lorsque le carillon joue à 13h10, arrêtez le pendule et prenez note de l'heure (soit 13h10). Étape 2 : retirez soigneusement le petit écrou.
Étape 3 : retirez l'aiguille des minutes. Agrippez la bague par ses côtés et avancez l'aiguille de cinq minutes. Étape 4 : rattachez l'aiguille de façon à ce qu'elle pointe vers 13h15. Remplacez l'écrou à la main. Étape 5 : resserrez l'écrou avec les pinces. Étape 6 : mettez le pendule en marche. Étape 7 : réglez l'heure.

L'HORLOGE NE SONNE PAS À LA BONNE HEURE



Si après plusieurs heures de fonctionnement l'horloge ne sonne toujours pas à la bonne heure, agrippez SEULEMENT L'AIGUILLE DES HEURES et déplacez-la vers l'avant ou l'arrière pour l'aligner sur la bonne heure du cadran indiquée par le nombre de coups sonnés. Le fait de déplacer cette aiguille par elle-même n'endommagera pas l'horloge. Si l'aiguille des minutes doit être réglée (remise à l'heure), déplacez-la dans le sens inverse des aiguilles d'une montre (en arrière) comme décrit dans la section « POUR TOUTES LES HORLOGES RÉGLAGE DE L'HEURE » de ces directives.

LE CARILLON OU LA SONNERIE NE FONCTIONNENT PAS

1. Assurez-vous que le levier de sélection des mélodies n'est pas en position «Silent» (assourdissement) ou entre deux mélodies.
2. Assurez-vous que le mouvement n'est pas encombré par du matériel d'emballage.
3. Vérifiez que l'horloge est remontée.
4. Pour les modèles munis d'un mécanisme d'assourdissement la nuit, assurez-vous que ce mode n'est pas sélectionné. (Reportez-vous à la rubrique OPTION D'ASSOURDISSEMENT AUTOMATIQUE LA NUIT de la section Généralités).
5. Soulevez tous les marteaux de 2,5 cm environ et laissez-les retomber en place.

LE CARILLON NE JOUE PAS LA BONNE TONALITÉ



NE RÉGLEZ PAS LES MARTEAUX, à moins que la tonalité soit incorrecte. Cette dernière peut être affectée par les marteaux reposant sur les tiges du carillon ou par une frappe non centrée. Bien qu'ils aient été ajustés à l'usine, il est possible qu'ils doivent faire l'objet d'un réglage. Pour la majorité des horloges, ceci ne sera cependant pas nécessaire. Comme il existe de nombreux types de carillons (à tiges et à tubes), veuillez identifier le vôtre ci-dessous.

CARILLON À TIGES Les bras de ces marteaux sont faits de laiton et peuvent être pliés sans danger. Réglez-les au besoin de façon à ce qu'ils n'entravent pas leur course en se déplaçant ou en frappant les tiges. Ceci se fait en les pliant légèrement au milieu. Chaque marteau doit se trouver à environ 3 mm (1/8 po) de sa tige (figure 11). **NE PLIEZ PAS** les tiges. Le volume des mouvements à tiges ne peut être modifié.

Vergewissern Sie sich, daß alle Anweisungen, die mit Ihrem Produkt von Howard Miller geliefert wurden, sorgfältig befolgt worden sind. Diese Anweisungen geben Ihnen genaue Information für die Beantwortung der meisten Fragen. Auf der Webseite von Howard Miller (www.howardmiller.com) finden Sie eine Liste von häufig gestellten Fragen, die Ihr Problem evtl. auf einfache Weise lösen bzw. Ihre Fragen beantworten können.

FEHLERSUCHE GONG SCHLÄGT NICHT ZUR RICHTIGEN ZEIT



Wenn der Gong mehr als eine Minute vor oder nach der richtigen Zeit schlägt, sollte der Minutenzeiger entfernt und justiert werden.

VORSICHT: Seien Sie vorsichtig, daß Sie dabei nicht die Zeiger Mutter, den Zeiger oder das Ziffernblatt verkratzen.

1. Wenn der Gong zu schlagen beginnt, halten Sie das Pendel an und notieren Sie die Zeit.
2. Entfernen Sie vorsichtig mit einer Zange die kleine Zeiger Mutter, die den Minutenzeiger befestigt, indem Sie die Zeiger Mutter im Gegenuhrzeigersinn drehen, während Sie gleichzeitig den Minutenzeiger mit Ihren Fingern nahe an der kleinen Schraubenmutter halten.
3. Entfernen Sie den Zeiger von dem Zeigerschaft, indem Sie ihn mit Ihren Fingern an dem Punkt anfassen, an dem er an dem Schaft befestigt ist. Ziehen Sie den Zeiger gerade nach vorn ab. Dieser Zeiger ist nicht angeschraubt und sollte sich leicht entfernen lassen. Der Minutenzeiger hat eine kleine erhabene Stelle auf der Rückseite direkt um die Schaftöffnung herum. Dies ist die Zeigerbuchse. Fassen Sie mit einer Zange diese Buchse fest an ihrer Seite an, so daß sie sich nicht in der Zange verrücken kann. Drehen Sie mit Ihrer anderen Hand den Uhrzeiger vorwärts oder rückwärts bis der Gong zur richtigen Zeit schlägt. (Siehe Abbildung 10).
4. Befestigen Sie den Zeiger wieder auf dem Vierkantschaft und schrauben Sie die Zeiger Mutter mit den Fingern fest. Vergewissern Sie sich, daß der Zeiger auf die gleiche Stelle zeigt, die Sie in Schritt 1 notiert haben, plus etwaige Korrekturen, die Sie in Schritt 3 vorgenommen haben. Wenn der Zeiger nicht auf die korrekte Stelle deutet, wiederholen Sie Schritte 2 und 3.
5. Befestigen Sie die Zeigerschraubenmutter mit der Zange, ziehen Sie sie jedoch nicht zu fest an.
6. Starten Sie das Pendel.
7. Stellen Sie die Zeit erneut ein, indem Sie **NUR DEN MINUTENZEIGER**, wie im Abschnitt Aufstellvorgang beschrieben, nach rückwärts schieben.

BEISPIEL: Der Gong schlägt um 13.10 Uhr, sollte aber erst um 13.15 Uhr schlagen. Schritt 1: Wenn der Gong um 13.10 Uhr schlägt, halten Sie das Pendel an und notieren Sie die Zeit 13.10 Uhr. Schritt 2: Entfernen Sie vorsichtig die kleine Zeiger Mutter. Schritt 3: Entfernen Sie den Minutenzeiger. Halten Sie die Zeigerbuchse an der Seite und drehen Sie den Zeiger um 5 Minuten vorwärts. Schritt 4: Befestigen Sie wieder den Zeiger, so daß er auf 13.15 Uhr zeigt. Befestigen Sie die Zeiger Mutter mit den Fingern. Schritt 5: Ziehen Sie die Zeiger Mutter fest an. Schritt 6: Starten Sie das Pendel. Schritt 7: Stellen Sie die Uhr wieder auf die aktuelle Zeit ein.

UHR SCHLÄGT NICHT DIE RICHTIGE STUNDE



Wenn die Uhr nach mehreren Stunden des Betriebs nicht die richtige Stunde schlägt, nehmen Sie **NUR DEN STUNDENZEIGER** und bewegen Sie ihn voroder rückwärts, um ihn mit der richtigen Stunde auf dem Ziffernblatt gleichzustellen, die von der Anzahl der Stundenschläge angezeigt wurde. Die Uhr wird durch das unabhängige Drehen des Zeigers nicht beschädigt. Wenn der Minutenzeiger (zum Einstellen der Uhrzeit) verstellt werden muss, drehen Sie den Zeiger wie im Abschnitt „EINSTELLEN DER UHRZEIT FÜR ALLE UHREN“ dieser Gebrauchsanweisung beschrieben nach links (rückwärts).

GONG UND STUNDENSCHLAG FUNKTIONIEREN BEIDE NICHT

1. Vergewissern Sie sich, daß sich der Auswahlhebel nicht in der Position "silent" oder auf halbem Weg zwischen zwei Gongmelodien befindet.
2. Vergewissern Sie sich, daß alles Verpackungsmaterial aus dem Bereich des Uhrwerks entfernt worden ist.
3. Sicherstellen, daß die Uhr aufgezogen ist.
4. Hammereinstellung und Gongton wo nötig überprüfen.
5. Sämtliche Hämmer ungefähr 2,5 cm anheben und diese dann in ihre Ruheposition zurückkehren lassen.

GONGS HABEN FALSCHEN TON



DIE HAMMER FÜR DEN GONG NICHT NEU EINSTELLEN, es sei denn der Gongton ist nicht korrekt. Gongton kann von den Hämmer, die auf den Gongstäben ruhen, beeinträchtigt werden oder nicht in der Mitte angeschlagen werden. Obwohl die Hammer in der Fabrik eingestellt worden sind, kann es sein, daß sie sich verstellen. Bei den meisten Uhren wird es nicht notwendig sein, die Gonghammer neu einzustellen. Es gibt verschiedene Typen von Gongs (Stäbe, Röhren oder Glocken).

GONGSTÄBE: Hammerarme sind aus Messing angefertigt und können gebogen werden. Falls notwendig, stellen Sie die Hammer so ein, daß sie sich beim Bewegen oder Anschlagen der Gongstäbe, Gongröhren oder Gongglocken nicht gegenseitig berühren. Dies kann erreicht werden, indem Sie die Hammerarme in der Mitte leicht anbiegen, so daß sich jeder Hammer etwa 3 mm (1/8in.) von jeder Stange, Röhre oder Glocke entfernt befindet. (Siehe Abbildung 11). Die Gongstangen oder -röhren **NICHT** biegen. Die Lautstärke des Gongs kann nicht eingestellt werden.

SI SU RELOJ NO FUNCIONA

Aunque no recomendamos que repare su propio reloj, debe revisar las siguientes sugerencias antes de contactar a Howard Miller, o algún representante autorizado. No intente hacer ajustes para los cuales no tiene la confianza de que podrá realizarlos.

1. Removió todo el material de empaque del área del mecanismo?
2. Le dió cuerda a su reloj?
3. Intentó re-empezar su reloj? Se necesita estar en tiempo sureloy par seguir corriendo.
4. Están en el lugar correcto las pesas? Revise la parte de abajo de cada pesa para cerciorarse de esto.
5. Asegúrese que el péndulo esté colgando correctamente de la guía del péndulo.

L'HORLOGE NE FONCTIONNE PAS

Bien qu'on vous conseille de ne pas réparer votre horloge vous-même, vous devriez vérifier les points suivants avant de prendre contact avec Howard Miller, votre représentant ou un Centre de service autorisé. Ne tentez aucun réglage dont vous n'êtes pas certain.

1. Le matériel d'emballage a-t-il été complètement retiré du mouvement?
2. Avez-vous remonté l'horloge ?
3. Avez-vous essayé de remettre l'horloge en marche? Pour fonctionner, elle doit "battre la mesure".
4. Les poids sont-ils suspendus aux bons endroits? Vérifiez l'étiquette au bas de chacun.
5. Vérifiez que le pendule est correctement suspendu dans le guide.

UHR LÄUFT NICHT

Obwohl nicht empfohlen wird, Ihre Uhr selbst zu reparieren, sollten Sie die folgenden Punkte nachprüfen, ehe Sie sich an Howard Miller oder Ihren genehmigten Fachhändler wenden. Nehmen Sie keine Änderungen vor, die Sie sich nicht zutrauen.

1. Ist alles Verpackungsmaterial vom Uhrwerkbereich entfernt worden?
2. Haben Sie die Uhr aufgezogen?
3. Steht die Uhr eben?
4. Funktionieren die Zeiger ohne Störung? Lassen Sie den Stundenzeiger nicht gegen den Sekundenzeiger schlagen. Falls der Sekundenzeiger gegen die Scheibe reibt, ziehen Sie ihn leicht heraus. Falls der Stundenzeiger gegen die Rückseite des Minutenzeigers reibt, sollte der Stundenzeiger näher zur Scheibe gedrückt werden (legen Sie Ihren Daumennagel im mittleren Bereich des Stundenzeigers an und drücken Sie ihn etwas hinein).
5. Sicherstellen, daß das Pendel ordnungsgemäß in der Pendelverlängerung eingehängt ist.

GARANTIA LIMITADA

Howard Miller ofrece una garantía limitada de 1 año en su producto a partir de la fecha original de compra o la fecha de recepción si el producto fue un premio de servicio. En el caso improbable de que su producto aparezca estar defectuoso o requiera reparación dentro del período de garantía, comuníquese con su distribuidor o con la empresa que proporcionó el artículo si se trataba de un premio. Serán su primer recurso para obtener información acerca de sus opciones de garantía y servicio.

Si su producto tiene más de un año de antigüedad desde la fecha de compra o el recibo como un premio, su producto ya no está bajo la garantía del fabricante. El soporte para productos que ya no están bajo garantía está disponible a través del "Centro de ayuda" en www.howardmiller.com.

Le recomendamos que lea y siga cuidadosamente todas las instrucciones proporcionadas con su producto Howard Miller antes de continuar con el servicio. Estas instrucciones proporcionarán información detallada para responder a la mayoría de las preguntas.

Para encontrar información adicional con respecto a su producto, para pedir piezas o para encontrar un centro de servicio, diríjase al "Centro de ayuda" ubicado en www.howardmiller.com. El "Centro de ayuda" también contiene enlaces a manuales de producto, instrucciones, videos y preguntas frecuentes.

Antes de ponerse en contacto con su distribuidor, proveedor de premios o un centro de servicio, por favor tenga disponible la siguiente información. El número de modelo y el número de serie se encuentran en la etiqueta de información del producto, que normalmente se encuentra en la parte posterior o inferior del producto.

Número de modelo: _____ Número de serie: _____
Fecha de compra: _____ Donde se adquirió: _____

Si el artículo se envió directamente a usted, es su responsabilidad de informar sobre la pérdida de carga o daños al transportista y su minorista o proveedor de premios. Si la caja indica signos de "daño visible", indique al conductor que note el daño en la factura de carga. Si el daño se encuentra después de que el artículo ha sido entregado, notifique a su minorista o proveedor de premios y el transportista de inmediato. Muchos transportistas requieren notificación dentro de 2 días. Si no notifica al transportista dentro de los plazos requeridos, puede renunciar a sus derechos a una reclamación por daños y usted puede ser responsable por el daño.

GARANTIE LIMITEE

Howard Miller offre une garantie limitée de 1 an sur votre produit à partir de la date d'achat initiale ou de la date de réception si le produit était une récompense de service. Dans le cas improbable où votre produit semble présenter un dysfonctionnement ou nécessite une réparation pendant la période de garantie, veuillez contacter votre revendeur ou la société qui a fourni l'article s'il s'agissait d'une récompense. Ils seront votre première ressource pour des informations concernant vos options de garantie et de service.

Si votre produit a plus d'un an à compter de la date d'achat ou de la réception en tant que prix, votre produit n'est plus sous la garantie du fabricant. Le support des produits qui ne sont plus sous garantie est disponible via le «Centre d'aide» à www.howardmiller.com.

Nous vous recommandons de lire attentivement et de suivre toutes les instructions fournies avec votre produit Howard Miller avant de poursuivre le service. Ces instructions fourniront des informations détaillées pour répondre à la plupart des questions.

Pour trouver des informations supplémentaires concernant votre produit, commander des pièces ou trouver un centre de service, rendez-vous au «Centre d'aide», à l'adresse www.howardmiller.com. Le «Centre d'aide» contient également des liens vers des manuels, des instructions, des vidéos et des questions fréquemment posées.

Avant de contacter votre revendeur, votre fournisseur ou un centre de service, veuillez disposer des informations suivantes. Le numéro de modèle et le numéro de série se trouvent sur l'étiquette d'information du produit qui se trouve normalement au dos ou au bas du produit.

Numéro de modèle: _____ Numéro de série: _____
Date d'achat: _____ Lieu d'achat: _____

Si l'article a été expédié directement à vous, il est de votre responsabilité de signaler une perte de fret ou des dommages au transporteur et votre détaillant ou fournisseur de prix. Si le carton indique des signes de «dommages visibles», demandez au conducteur de noter les dommages sur la facture de fret. Si des dommages sont constatés après la livraison de l'article, veuillez aviser immédiatement votre détaillant ou votre fournisseur de services. De nombreux transporteurs ont besoin d'une notification dans les 2 jours. Le défaut d'aviser le transporteur dans les délais requis peut renoncer à vos droits à une réclamation de dommages et vous pouvez être responsable des dommages.

BESCHRANKTE GARANTIE

Howard Miller bietet eine begrenzte 1-Jahr-Garantie auf Ihr Produkt vom ursprünglichen Kaufdatum oder vom Eingangsdatum an, wenn es sich um eine Dienstleistung handelt. In dem unwahrscheinlichen Fall, dass Ihr Produkt innerhalb der Garantiezeit scheinbar defekt ist oder repariert werden muss, wenden Sie sich bitte an Ihren Händler oder an die Firma, die das Produkt bereitgestellt hat, wenn es sich um eine Auszeichnung handelt. Sie werden Ihre erste Ressource für Informationen über Ihre Garantie- und Service-Optionen.

Wenn Ihr Produkt mehr als ein Jahr alt ist, ab Kaufdatum oder Quittung als Preis, ist Ihr Produkt nicht mehr unter der Garantie des Herstellers. Support für Produkte, die nicht mehr unter Garantie sind, erhalten Sie im "Help Center" unter www.howardmiller.com.


Wir empfehlen Ihnen, alle Anweisungen, die Sie mit Ihrem Howard Miller-Produkt erhalten haben, sorgfältig durchzulesen und zu befolgen. Diese Anleitung liefert detaillierte Informationen, um die meisten Fragen zu beantworten.

Um weitere Informationen zu Ihrem Produkt zu erhalten, Teile zu bestellen oder ein Service-Center zu finden, besuchen Sie bitte die Hilfe-Seite unter www.howardmiller.com. Das "Help Center" enthält Links zu Produkthandbüchern, Anleitungen, Videos und häufig gestellten Fragen.

Bevor Sie sich an Ihren Händler, den Lieferanten oder ein Service-Center wenden, haben Sie bitte die folgenden Informationen zur Verfügung. Die Modellnummer und die Seriennummer finden Sie auf dem Produktinformationsschild, das sich normalerweise auf der Rückseite oder Unterseite des Produkts befindet.

Modellnummer: _____ Seriennummer: _____
Datum Erworben: _____ Wo gekauft: _____

Wenn das Einzelteil direkt zu Ihnen versendet wurde, ist es Ihre Verantwortlichkeit, Frachtverlust oder -schaden dem Frachtführer und Ihrem Händler oder Auslieferungsgeber zu melden. Wenn der Karton Anzeichen für "sichtbare Schäden" anzeigt, weisen Sie den Fahrer darauf hin, den Schaden auf der Frachtrechnung zu beachten. Sollte ein Schaden nach der Auslieferung des Artikels festgestellt werden, benachrichtigen Sie Ihren Händler oder den Lieferanbieter unverzüglich darüber. Viele Carrier benötigen eine Benachrichtigung innerhalb von 2 Tagen. Das Versäumnis, den Beförderer innerhalb der vorgeschriebenen Frist zu informieren, kann auf Ihre Ansprüche auf Schadensersatzansprüche verzichten und Sie können für den Schaden haftbar gemacht werden.



Thank you for selecting a Howard Miller clock.

For nearly 100 years, our family has taken pride in knowing that the heirlooms we make will be treasured in your family for generations. This legacy and dedication to quality is found in every Howard Miller clock -- from the soothing melody of the chimes to the quality hardwood construction and hand-applied finishes. We are confident that you and your family will enjoy your clock for years to come.

With our sincere thanks,



Buzz Miller
President -- Howard Miller Company

