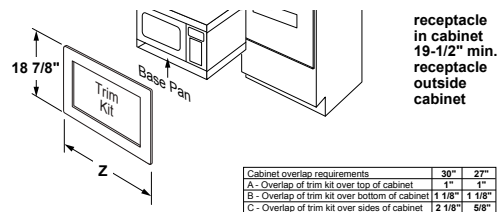




OVERALL DIMENSIONS



Cabinet overlap requirements	30"	27"
A - Overlap of trim kit over top of cabinet	1"	1"
B - Overlap of trim kit over bottom of cabinet	1 1/8"	1 1/8"
C - Overlap of trim kit over sides of cabinet	2 1/8"	5/8"

Note:
Allow an additional inch of clearance beyond trim frame on all sides

Accessory Trim Kits	Z	Max Height	Trim Kits
30"	29 3/4"	19"	JX2130SLSS
27"	26 7/8"	19"	JX2127SLSS

SPECIFICATIONS

Overall Width	24 1/2" (62.2 cm)
Overall Height	13 5/8" (34.6 cm)
Overall Depth	19 3/4" (50.2 cm)
Interior Capacity	2.2 cu. ft. (.06 cu. m)
Watts	1100
Volts/ Hertz/ Amps	120V/ 60 Hz / 13.9A
Power Cord	41" cord with 3-prong plug
Shipping Weight	53 lbs (24 kg)

ELEVATE EVERYTHING



Dimensions in parentheses are in centimeters unless otherwise noted. Actual product dimensions may vary due to manufacturing tolerances.

OPTIONAL ACCESSORY TRIM KITS INSTALLATION

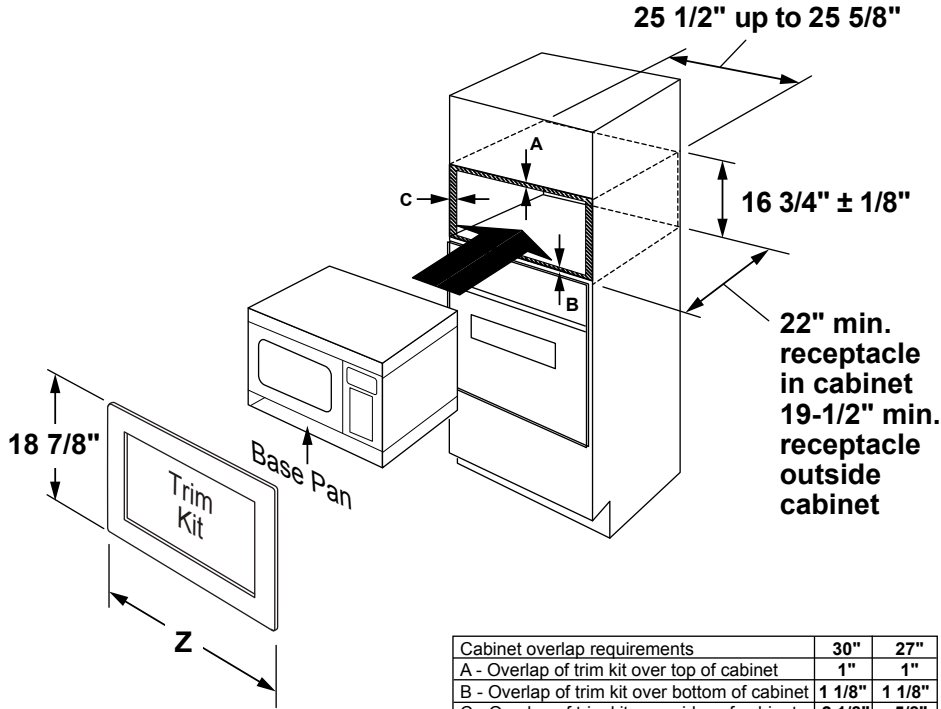
(ADDITIONAL COST)

NOTES

For a custom built-in appearance, trim kits allow built-in installation of the countertop microwave oven into a wall or cabinet alone and are UL approved for installation over a GE single electric wall oven. These kits should not be installed over a gas wall oven.

120V, 60-cycle, grounded power receptacle location optional on back within cabinet opening.

This information is not intended to be used for installing unit described. Before installing, consult installation instructions packed with the product/kit for current dimensional data.



Cabinet overlap requirements	30"	27"
A - Overlap of trim kit over top of cabinet	1"	1"
B - Overlap of trim kit over bottom of cabinet	1 1/8"	1 1/8"
C - Overlap of trim kit over sides of cabinet	2 1/8"	5/8"

Note:
Allow an additional inch of clearance beyond trim frame on all sides

Accessory Trim Kits	Z	Max Height	Trim Kits
30"	29 3/4"	18 7/8"	ZX2130SLSS
27"	26 3/4"	18 7/8"	ZX2127SLSS

FEATURES AND BENEFITS

BUILT-IN TRIM KIT

Allows custom appearance and built-in convenience.
Order kit ZX2127SLSS for 27" cabinet width and
ZX2130SLSS for 30" cabinet width

GLASS TOUCH CONTROLS

For a high-end appearance and easy cleaning

2.2 CU. FT. CAPACITY

1100 watts (IEC-705 test procedure)

SENSOR COOKING CONTROLS

Automatically adjust time and power

STEAM COOKING CONTROLS

Steam cook option for healthy meal preparation

EXTRA-LARGE 16.5" TURNTABLE

Rotates food throughout the cycle and
accommodates large cookware

INSTANT ON CONTROLS

Offer one-touch instant operation

WEIGHT AND TIME DEFROST

Automatically sets the optimal defrosting time and
power level after you enter weight of food

ADD 30 SECONDS BUTTON

Adds 30 seconds of microwave cooking time

CONTROL LOCKOUT

Helps prevent accidental activation



ELEVATE EVERYTHING

MONOGRAM