

Electrolux



Induction Range

30" Induction Freestanding Range

ECFI3068AS

Available Colors : Stainless Steel

Version : 01/21

Cooktop

Bridge Element Location	Left
Cooking Surface Type	Smooth
Hot-Surface Indicator Light	Yes

Cooktop Performance

Right Front Element Burner Size	5 7/10"
Right Rear Element Burner Size	8 3/10"
Left Front Element Burner Size	7 1/10"
Left Rear Element Burner Size	7 1/10"
Right Front Element Burner	1,400 / 2,200 Watts (Boost)
Right Rear Element Burner	2,300 / 3,700 Watts (Boost)
Left Front Element Burner	1,850 / 3,000 Watts (Boost)
Left Rear Element Burner	1,850 / 3,000 Watts (Boost)

Cooking Controls

Bake	Yes
Bread Proof	Yes
Broil	Yes
Child Lock	Yes
Convection Bake	Yes
Convection Roast	Yes
Cook Time	Yes
Delay Start	Yes
Keep Warm	Yes
Kitchen Timer	Yes
Probe	Yes
Steam Clean	Yes
Temperature Display	Yes

Oven

Bake Element Type	Hidden
Bake Element	3,300 Watts
Broil Element	3,300 Watts
Convection Type	True
Number of Convection Fans	1

Convection Element	2,950 Watts
Rack Position Type	Ladder
Number of Rack Positions	6
Rack Type 1	Flat
Rack Type 1 Quantity	2
Rack Type 2	Glide
Rack Type 2 Quantity	1
Oven Interior Color	Gray
Window Type	Extra Large Window
Oven Light Type	Halogen
Oven Light Quantity	2
Oven Light Watts	40 Watts

Controls

Sabbath Mode	Yes
Wi-Fi Enabled	No

Display

Control Location	Front
Display Type	LED

Dimensions and Volume

Minimum Height	35 3/8"
Maximum Height	35 5/8"
Width	29 7/8"
Depth	25 7/8"
Depth With Door 90° Open	46.688"
Oven Interior Height	17 1/4"
Oven Interior Width	24 1/4"
Oven Interior Depth	16"
Oven Capacity	4.6 Cu. Ft.

Electrical Specifications

Amps @ 240 Volts	40 Amps
Connected Load @ 240V	11 kW
Voltage Rating	240 V

High standards of quality at Electrolux Home Products, Inc. mean we are constantly working to improve our products. We reserve the right to change specifications or discontinue models without notice.

Electrolux Major Appliances, N.A.

USA • 10200 David Taylor Drive • Charlotte, NC 28262 • Charlotte, NC 28262 • 1-877-4electrolux (1-877-435-3287) • electroluxappliances.com

CANADA • 5855 Terry Fox Way • Mississauga, ON L5V 3E4 • 1-800-265-8352 • electroluxappliances.ca

30" Induction Freestanding Range

ECFI3068AS

Version : 01/21

Installation

Adjustable Leveling Legs	Yes
Power Cord Included	Yes

General Specifications

Product Weight	194 lbs
Prop 65 Label	Yes
Warranty - Labor	1 Year
Warranty - Parts	1 Year

Safety Certifications & Approvals

UL Listed	Yes
cUL Listed	Yes
RoHS	Yes

High standards of quality at Electrolux Home Products, Inc. mean we are constantly working to improve our products. We reserve the right to change specifications or discontinue models without notice.

Electrolux Major Appliances, N.A.

USA • 10200 David Taylor Drive • Charlotte, NC 28262 • Charlotte, NC 28262 • 1-877-4electrolux (1-877-435-3287) • electroluxappliances.com

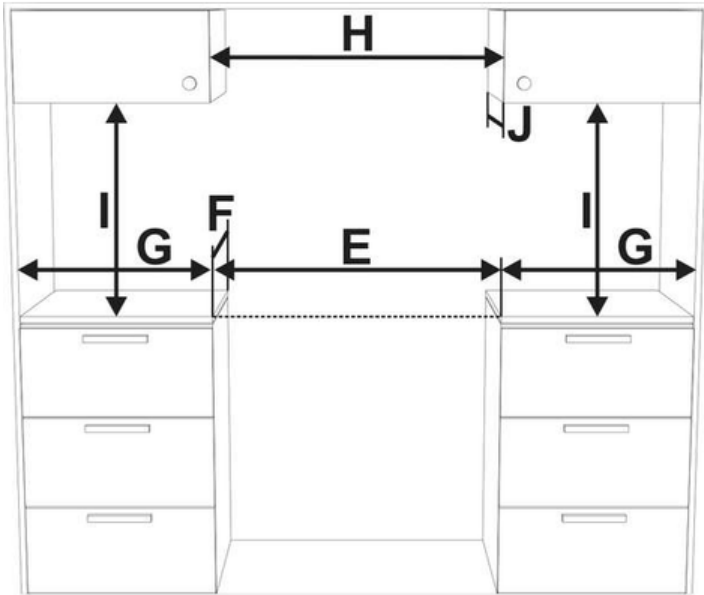
CANADA • 5855 Terry Fox Way • Mississauga, ON L5V 3E4 • 1-800-265-8352 • electroluxappliances.ca

Electrolux

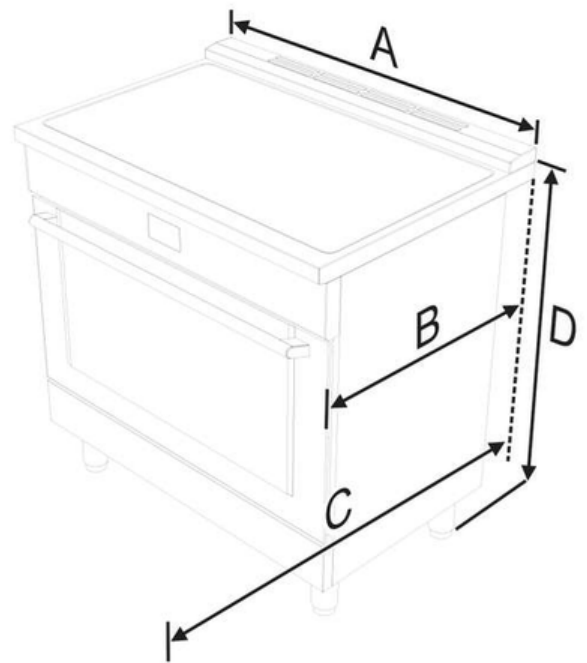
30" Induction Freestanding Range

ECFI3068AS

Version : 01/21



E	762 mm	30"
F	603 mm	23" 3/4
G	178 mm	7"
H	min. 914 mm	min. 36"
I	min. 457 mm	min. 18"
J	max. 330 mm	max. 13"



A	760 mm	29 15/16"
B	min: 627 mm max: 631 mm	min: 24 11/16" max: 24 13/16"
C	1186 mm	46 11/16"
D	min: 898 mm max: 930 mm	min: 35 6/16" max: 36 5/8"

High standards of quality at Electrolux Home Products, Inc. mean we are constantly working to improve our products. We reserve the right to change specifications or discontinue models without notice.

Electrolux Major Appliances, N.A.

USA • 10200 David Taylor Drive • Charlotte, NC 28262 • Charlotte, NC 28262 • 1-877-4electrolux (1-877-435-3287) • electroluxappliances.com

CANADA • 5855 Terry Fox Way • Mississauga, ON L5V 3E4 • 1-800-265-8352 • electroluxappliances.ca