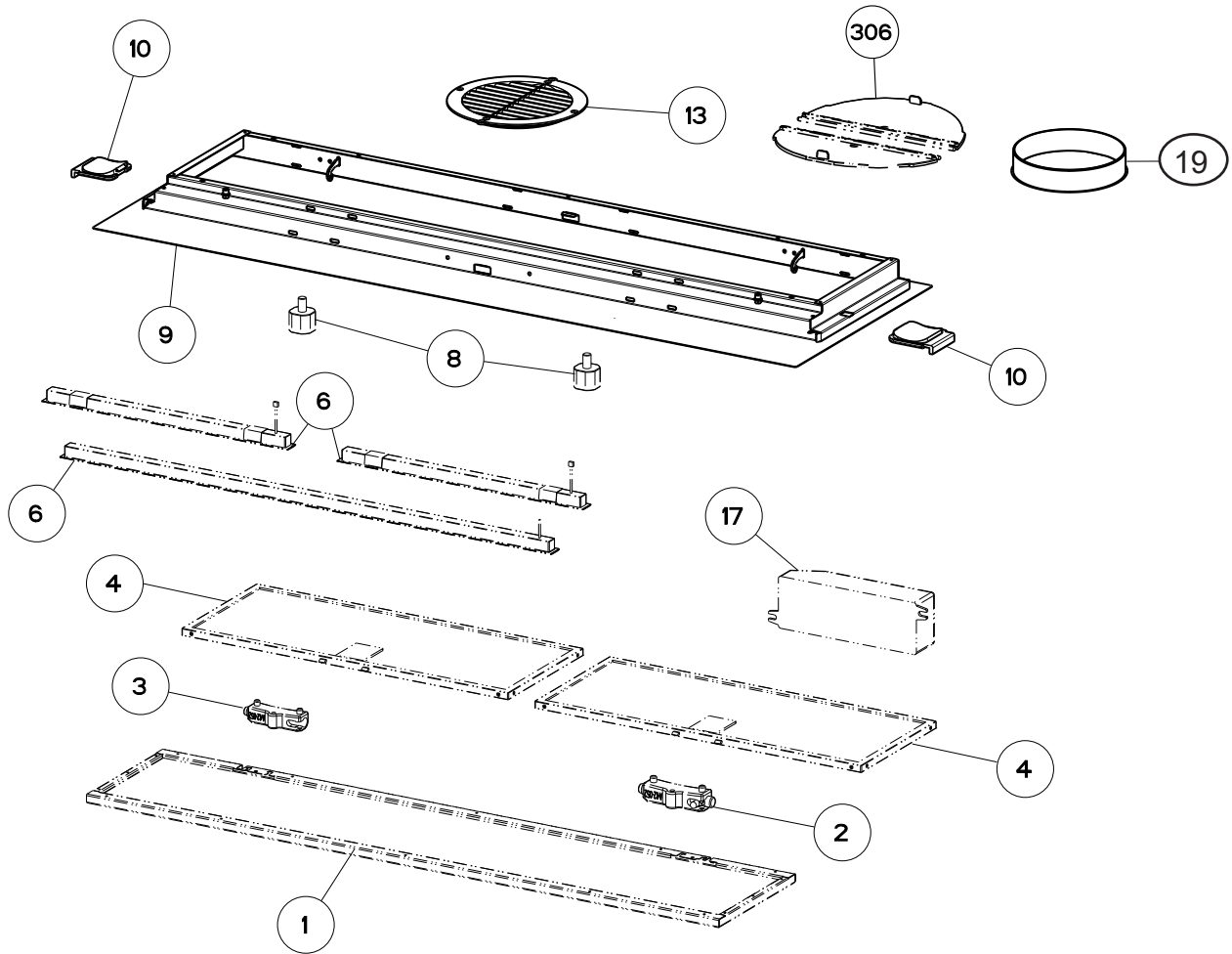


INCA LUX SSV2 - 2023 (Serial # Starts D)

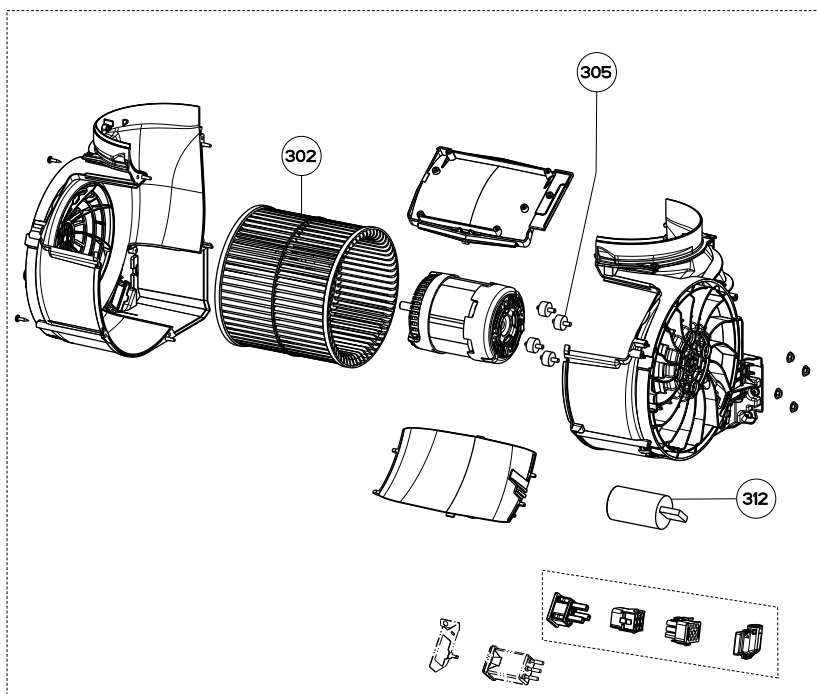
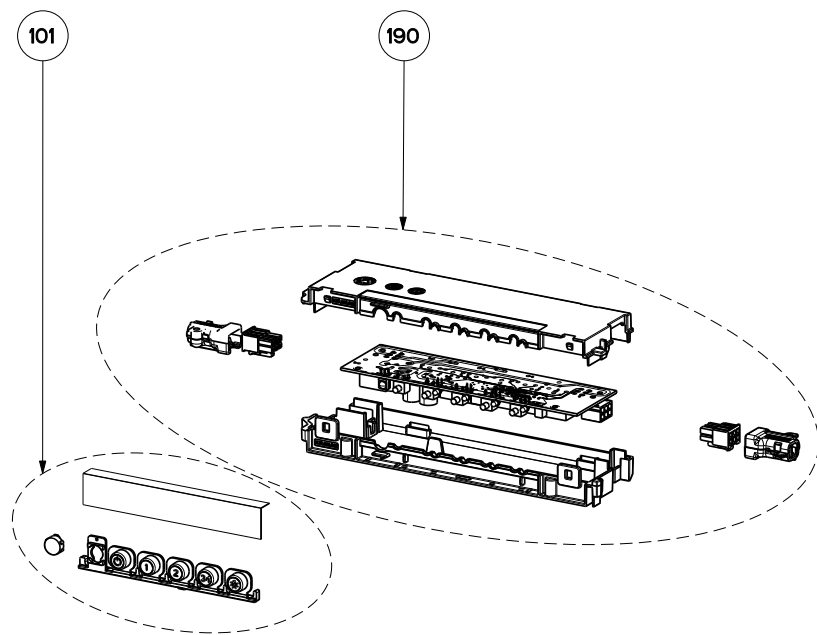
body components



	Model Number	INLX21SSV2	INLX28SSV2	INLX35SSV2	
Key	Description	21 Stainless	28 Stainless	35 Stainless	Qty Req.
1	Perimetric Panel	133.0668.695	133.0668.724	133.0682.553	1
2	Panel Hinge Right	133.0017.597	133.0017.597	133.0017.597	1
3	Panel Hinge Left	133.0057.285	133.0057.285	133.0057.285	1
4	Grease Filter	133.0668.652	133.0668.635	133.0668.652	1 (21"), 2 (28", 35")
6	LED Bar 4 Watt	133.0682.597	133.0682.456	133.0682.456	1 (21"), 2 (28", 35"), 2 (35")
8	Panel Magnet	133.0569.132	133.0569.132	133.0569.132	2
9	Inca Lux 2023 frame	133.0682.596	133.0682.591	133.0682.554	1
10	Screw Covers Square (10 PCS)	133.0668.745	133.0668.745	133.0668.745	1
13	Duct Vent Grate	133.0016.964	133.0016.964	133.0016.964	1
17	Transformer	133.0374.938	133.0374.938	133.0374.938	1
19	Metal Damper Collar	133.0653.126	133.0653.126	133.0653.126	1
306	Damper Flaps (2 included)	133.0522.831	133.0522.831	133.0522.831	1

INCA LUX SSV2 - 2023 (Serial # Starts D)

Controls / motor components



399

310

Key	Model Number	INLX21SSV2	INLX28SSV2	INLX35SSV2	Qty Req.
101	Control Button Kit (Chrome)	133.0568.387	133.0568.387	133.0568.387	1
190	Control Board Kit SSV	133.0524.811	133.0524.811	133.0524.811	1
302	Impeller	133.0681.529	133.0681.529	133.0681.529	1
305	Rubber Motor Mount	133.0051.603	133.0051.603	133.0051.603	1
310	Power Cord	133.0063.609	133.0063.609	133.0063.609	1
312	Capacitor 4 MF	133.0060.896	133.0060.896	133.0060.896	1
399	Motor Group	133.0681.528	133.0681.528	133.0681.528	1