



INSTALLATION INSTRUCTIONS

**48" Designer Brass Hood
ZVC48DNB1**

Safety Information

BEFORE YOU BEGIN

Read these instructions completely and carefully.

- **IMPORTANT** — Save these instructions for local inspector's use.
- **IMPORTANT** — Observe all governing codes and ordinances.
- **Note to Installer** — Be sure to leave these instructions with the Consumer.
- **Note to Consumer** — Keep these instructions with your Owner's Manual for future reference.
- **Skill Level** — Installation of this appliance requires basic mechanical and electrical skills.
- Proper installation is the responsibility of the installer. Product failure due to improper installation is not covered under the warranty. See Owner's Manual for warranty information.

▲ WARNING Improper grounding can result in a risk of electric shock. Consult a qualified electrician if the grounding instructions are not completely understood, or if doubt exists as to whether the appliance is properly grounded.

For Monogram local service in your area, 800.444.1845.

For Monogram Service in Canada, call 800.561.3344.

For Monogram Parts and Accessories, call 800.626.2002.

If you received a damaged vent hood, you should contact your dealer.

▲ CAUTION Due to the weight and size of these vent hoods and to reduce the risk of personal injury or damage to the product, **TWO PEOPLE ARE REQUIRED FOR PROPER INSTALLATION.**

▲ WARNING TO REDUCE THE RISK OF FIRE, ELECTRICAL SHOCK OR INJURY TO PERSONS, OBSERVE THE FOLLOWING:

- Installation work and electrical wiring must be done by qualified person(s) in accordance with all applicable codes and standards, including fire-rated construction.
- When cutting or drilling into walls or ceilings, do not damage electrical wiring and other hidden utilities.
- Ducted systems must always be vented to the outdoors.

▲ CAUTION To reduce risk of fire and to properly exhaust air, be sure to duct air outside — do not vent exhaust air into spaces within walls or ceilings or into attics, crawl spaces or garages.

▲ WARNING TO REDUCE THE RISK OF FIRE, USE ONLY METAL DUCTWORK.

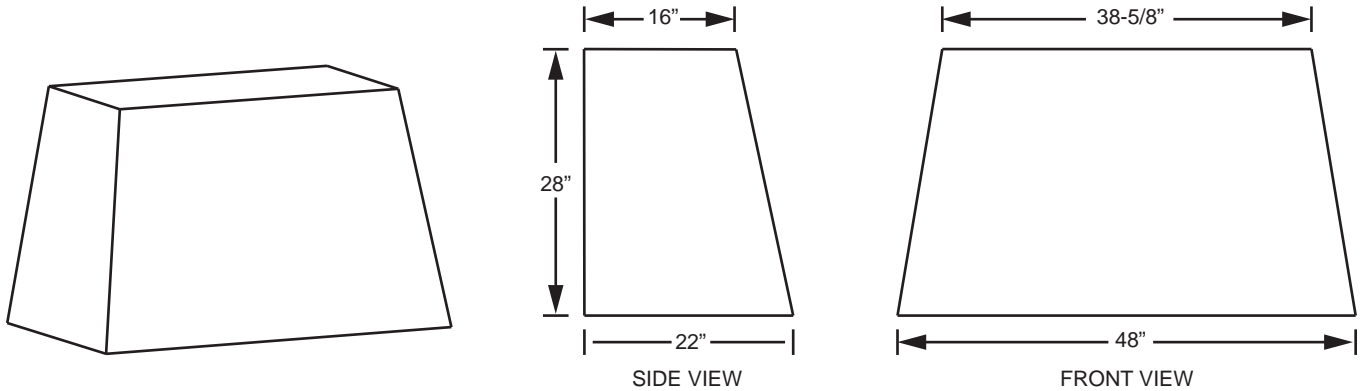
READ AND SAVE THESE INSTRUCTIONS

Installation Instructions

CONTENTS

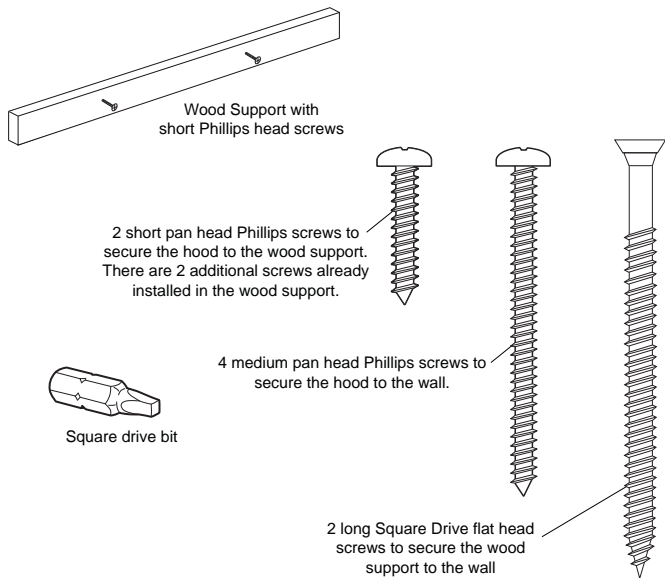
Safety Information	2	Advance Planning	4
Product Dimensions	3	Unboxing	4
Additional Parts Provided	3	Step 1, Determine Ductwork and Wiring Locations	5
Tools and Materials Required	3	Step 2, Install Hood onto Wall.....	6
Installation Clearances	4	Step 3, Install Hood Insert into Hood	7

PRODUCT DIMENSIONS



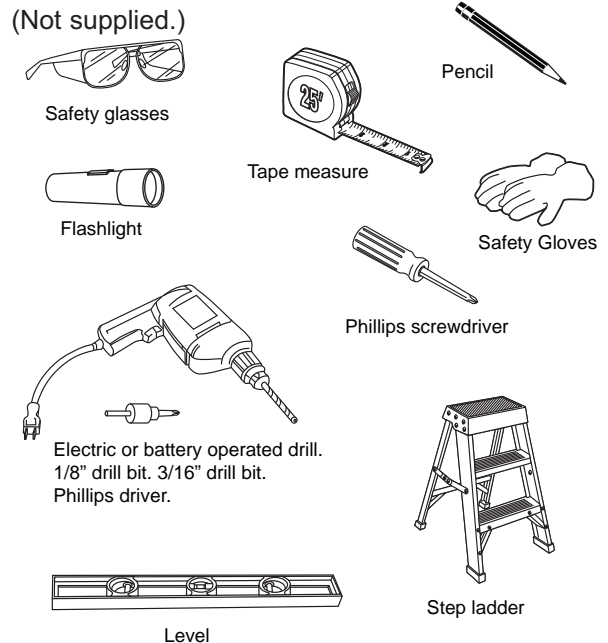
ADDITIONAL PARTS PROVIDED

These parts are packed with the hood.



TOOLS AND MATERIALS REQUIRED

(Not supplied.)



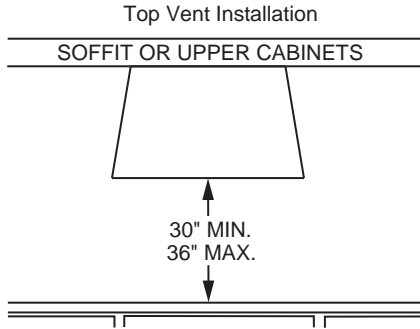
Installation Instructions

INSTALLATION CLEARANCES

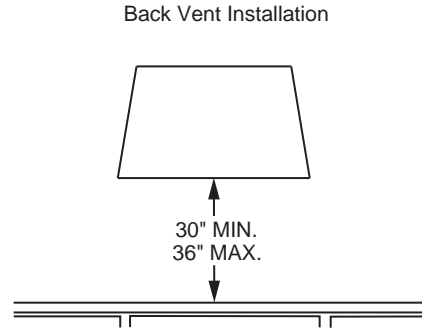
This hood is designed to be installed onto a wall.

Install this hood 30" minimum to 36" maximum above the cooking surface.

NOTE: Clearances may vary due to type of cooking product and local codes. Check with local inspectors to be sure standard is applicable.



In this installation, the ductwork running from the top of the hood will be concealed in the soffit or upper cabinetry.



In this installation, the ductwork running from the back of the hood goes directly into the wall.

ADVANCED PLANNING

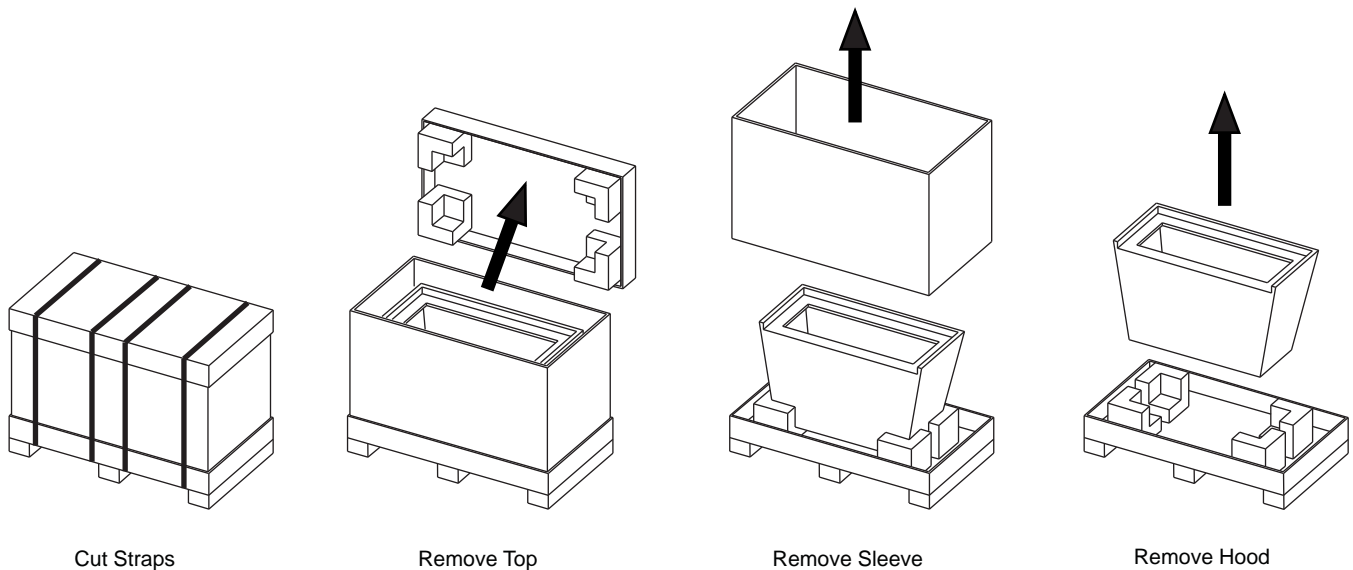
Ductwork Planning

- Carefully review the ductwork installation method as described later in this instruction as well as the hood insert installation instructions.

Wall Framing for Adequate Support

- This hood is heavy. Adequate structural support must be provided. Hood must be secured to vertical studs in the wall.
- It is strongly recommended that the hood and hood insert be on site before final framing and wall finishing. This will also help to accurately locate the ductwork and electrical service.

UNBOXING

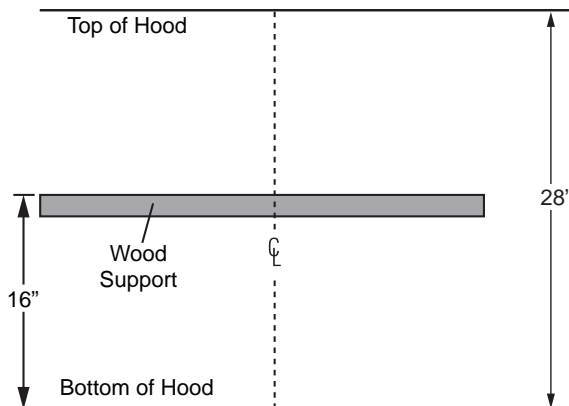


Installation Instructions

STEP 1 DETERMINE HOOD AND DUCTWORK LOCATIONS

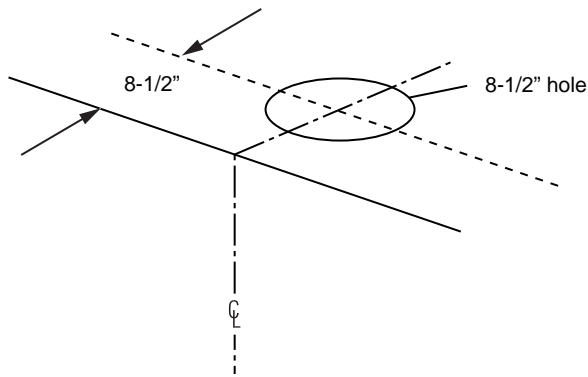
MARK LOCATION OF WOOD SUPPORT

- Use a level to draw a cooktop centerline location. Draw the line to ceiling height.
- Measure desired distance from the bottom of the hood to the cooking surface, 30" min. to 36" max.
- Use a level to draw a straight horizontal pencil line indicating the bottom of the hood.
- From the line indicating the bottom of the hood, measure 16" up and draw another line for the location of the wood support.
- From the line indicating the bottom of the hood, measure 28" up and draw another line for the location of the top of the hood. See illustration.



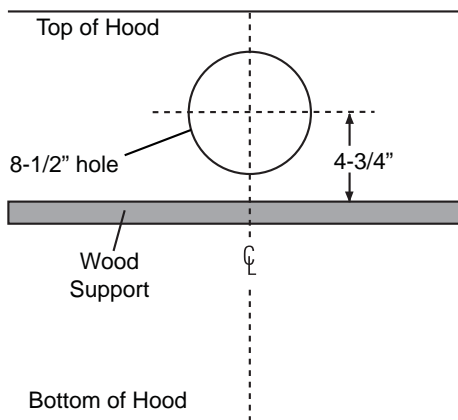
FOR VERTICAL (Straight Up) DUCTING:

- Use a level to draw a centerline from the bottom of the hood to ceiling or soffit.
- Extend the centerline forward on the ceiling or soffit.
- Mark the center of a 8-1/2" hole on the ceiling or soffit by measuring 8-1/2" from the wall.



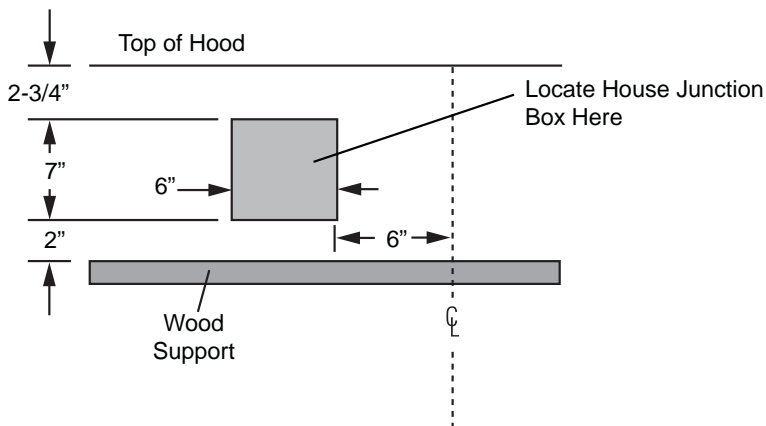
FOR DUCTING THROUGH REAR WALL:

- Measure 4-3/4" above the marked line for the top of the wood support. At the centerline, mark location for a 8-1/2" diameter hole.



HOUSE WIRING LOCATION:

- Locate junction box above the wood support and to the left of the centerline as shown in the illustration.

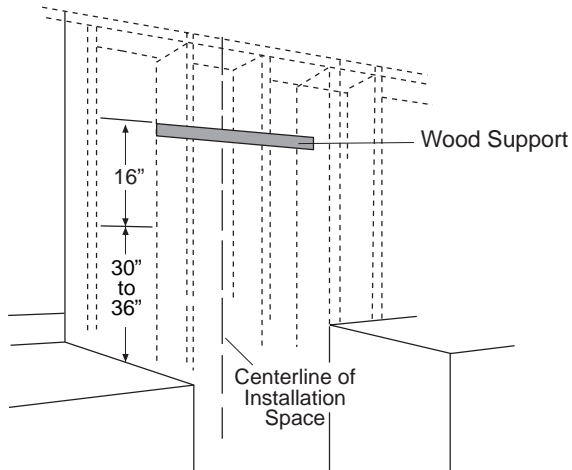


Installation Preparation

STEP 2 INSTALL HOOD TO WALL

Mount Wood Support to Wall

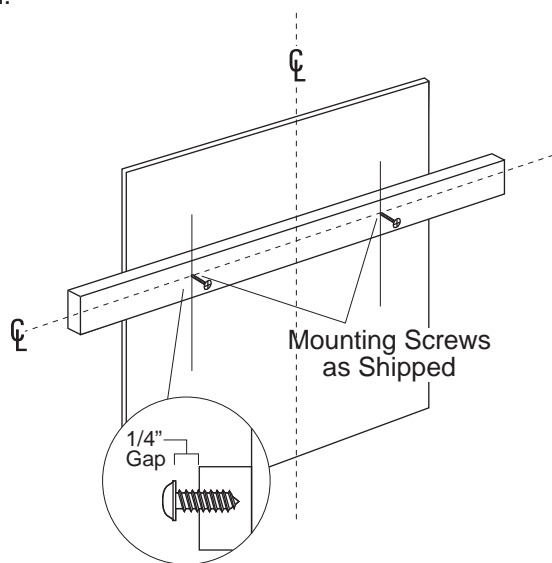
- Locate at least 2 vertical studs at the wood support.
- Center the supplied wood support, left to right and below the 16" marked line. Use the center hole in the wood support as guidance.



- Mark and drill two 3/16" holes through wood support to match stud locations.
- Secure the wood support to 2 or more vertical studs, using 2 long, square drive screws.

IMPORTANT: Screws must penetrate at least 1" into vertical studs. Countersink screws in support.

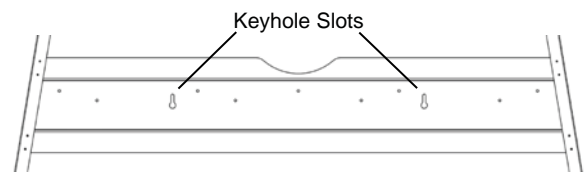
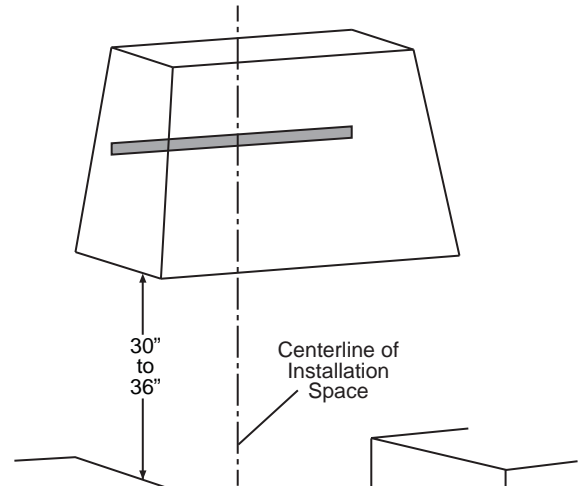
NOTE: The two supplied mounting screws must remain in their original shipping location. These screws are positioned to engage the keyhole slots in the back of the hood.



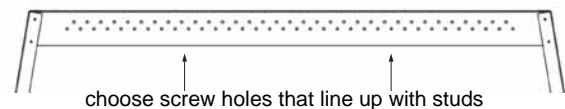
- Adjust depth of supplied mounting screws in the wood support until they protrude 1/4" forward. This 1/4" gap will provide clearance to hang the hood.

IMPORTANT: Framing must be capable of supporting up to 150 lbs.

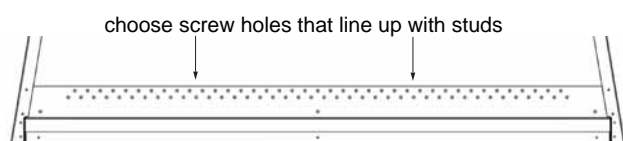
- Place the hood over the wood support. Be sure the mounting screws engage the keyhole slots in the back of the hood. Tighten the screws. Confirm hood position is correct.



- Install additional 2 short screws to secure the hood to the wood support.
- Install 2 medium Phillips screws at top inside of the hood into studs. Choose the appropriate holes that line up with studs.



- Install 2 medium Phillips screws at bottom inside of hood into studs. Choose the appropriate holes that line up with studs.

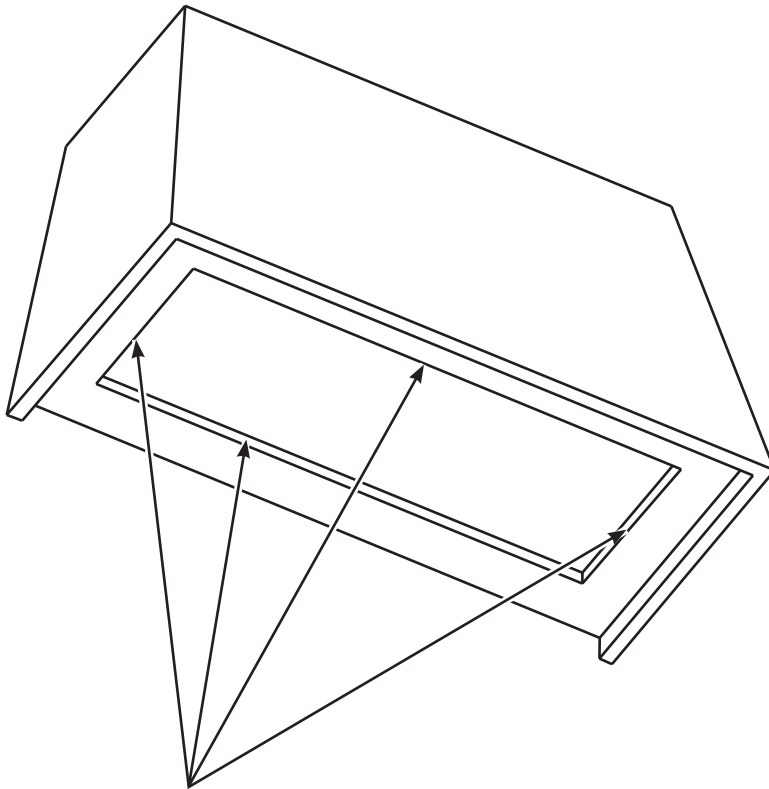


Installation Preparation

STEP 3 INSTALL HOOD INSERT INTO HOOD

Refer now to the installation instructions for the Custom Hood Insert (ZVC48) with the following exceptions:

- Disregard any reference to building a custom wood canopy.
- Disregard any reference to the Hood Liner. It is not required when using this hood.
- For duct planning you will need to refer to these instructions as some of the dimensions are different.
- You may remote mount the control for the Hood Insert if desired.
- Skip Step 1 (Insert Hood Liner). You may discard the Liner, it is not required.
- Start at Step 2, Connect Electrical.
- Be sure to follow the remainder of the Custom Hood Insert installation instructions to properly fasten the Insert to the Hood.
- Pay special attention to the step that says to push the Insert firmly up prior to driving screws. This will prevent any visible gaps between the Insert and the Hood.



Use provided screws to attach the Insert to the Hood as directed in the Insert Installation Instructions.

NOTE: While performing installations described in this book, safety glasses or goggles should be worn.

NOTE: Product improvement is a continuing endeavor at Monogram. Therefore, materials, appearance and specifications are subject to change without notice.

