

ME19CB704112

SAMSUNG

Bespoke Smart 1.9 cu ft. Over-the-Range Microwave with Sensor Cooking

This Over-the-Range microwave includes smart technology that makes microwave cooking even easier. Powerful ventilation used while cooking keeps your kitchen virtually odorless. Bespoke kitchen appliances are available in complementary colors to the Bespoke refrigerator.



Signature Features

1.9 cu. ft. Large Capacity

- This microwave oven cavity has a sizeable 1.9 cu ft capacity that can hold larger serving sizes.

Wi-Fi Connectivity & SmartThings Cooking

- This microwave makes weekly meal prep and planning easier with Wi-Fi and SmartThings Cooking. The SmartThings App lets you monitor and adjust settings or control the ventilation and lighting from anywhere. Search recipes, plan meals, and add any missing ingredients to your grocery cart for at-home delivery with SmartThings Cooking*.

*Available on Android or iOS devices. A Wi-Fi connection and a Samsung SmartThings account are required.

4-Speed 400 CFM Ventilation System

- This Over-the-Range Microwave features a 400 CFM ventilation system quickly and quietly eliminates steam and odor from the kitchen.

Available Colors



White Glass



Ceramic Enamel Interior



White LED Display

Features

- 1.9 cu. ft. Oven Capacity
- Wi-Fi Connectivity & SmartThings Cooking
- 400 CFM
- Sensor Cook
- Auto Connectivity
- Ceramic Enamel Interior
- Glass Touch Controls
- White LED Display
- Voice Control
- 1000 Watts of Cooking Power
- 10 Power Levels
- Two-Stage Programmable Cooking
- Auto Defrost/Sensor Reheat
- Auto Cook

Convenience

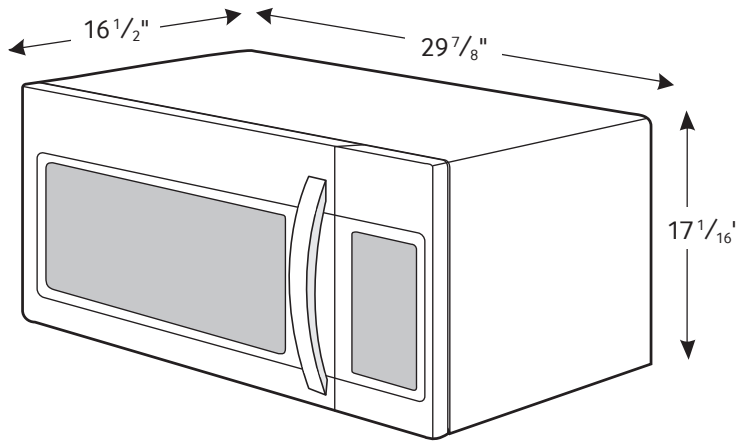
- Eco Mode (Reduces Standby Power)
- Clock (12 hr/24 hr) with Daylight Saving Time Adjustment
- Kitchen Timer
- End Signal
- Interior Light: Incandescent (1)
- Cooktop Lighting (Halogen): High/Low/Off
- Vent Fan Control: Boost/Hi/Mid/Lo/Off
- Child Safety Lock
- Sound On/Off

ME19CB704112

SAMSUNG

Bespoke Smart 1.9 cu ft. Over-the-Range Microwave with Sensor Cooking

Dimensions



Specifications

- Oven Cavity: 1.9 cu. ft.
- Power Output: 1000W
- Power Consumption: 1700W/14.5 A
- Power Source: 120V/60 Hz
- Control Method: Glass Touch
- Display: White LED
- Cooking Control: 10 Power Levels Including Defrost and Sensor Cook
- Cooking Timer: Digital, up to 99 Minutes, 99 Seconds
- Microwave Distribution System: Turntable
- Glass Turntable Diameter: 14 3/16"
- Vent Fan: 4-Speed/400 CFM
- Vent Fan Control: Boost/Hi/Mid/Lo/Off
- Cooktop Lighting: High/Low/Off
- Incandescent Interior Light

Warranty

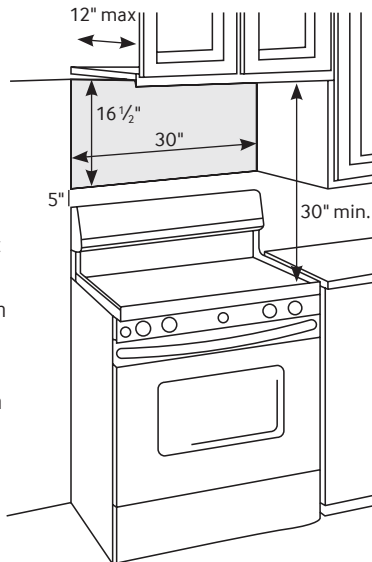
One (1) Year Parts and Labor
Ten (10) Years Parts on Magnetron

Installing Your Microwave

- This microwave oven is designed for adaptation to the following three types of ventilation:

- A. Outside Top Exhaust (Vertical Duct)
- B. Recirculating (Non-Vented Ductless)
- C. Outside Back Exhaust (Horizontal Duct)

- The space between the cabinets must be 30" wide and free of obstructions.
- This microwave oven is for installation over ranges up to 36" wide.
- The microwave must be level. Use a level to make sure the cabinet bottom is level. If the cabinets have a front overhang only, with no back or side frame, install the mounting plate down the same distance as the front overhang depth. This will keep the microwave level.



Product Dimensions & Weight (WxHxD)

Cavity Dimensions: 22 1/8" x 10 13/16" x 14 27/32"
Outside Net Dimensions: 29 7/8" x 17 1/16" x 16 1/2"
Weight: 60.0 lbs

Shipping Dimensions & Weight (WxHxD)

Dimensions: 33 11/32" x 20 25/32" x 19 3/8"
Weight: 67.2 lbs

Color

White Glass

Model

ME19CB704112

UPC Code

887276701684

FOR EASIER INSTALLATION AND PERSONAL SAFETY, WE RECOMMEND THAT TWO PEOPLE INSTALL THIS MICROWAVE OVEN. IMPORTANT: Do not grip or use handle during installation.

NOTE: If your cabinet is metal, use the nylon grommet around the power cord hole to prevent cutting of the cord.

NOTE: We recommend using filler blocks if the cabinet front hangs below the cabinet bottom shelf.

IMPORTANT: If filler blocks are not used, case damage may occur from overtightening screws.

NOTE: When mounting the microwave oven, thread power cord through hole in bottom of top cabinet. Do not pinch cord or lift oven by pulling cord.