

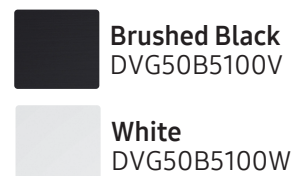
DVG50B5100

SAMSUNG

7.4 cu. ft. Gas Dryer with Sensor Dry



Available Colors



Features

- Sensor Dry
- 10 Preset Drying Cycles
- Smart Care*
- Large 7.4 cu. ft. Capacity
- Lint Filter Indicator
- Internal Drum Light
- Reversible Dryer Door
- 10 Total Drying Cycles
- 3 Options
- 4 Temperature Settings
- 3-Way Venting

Convenience

- Child Lock
- Lint Filter Indicator

Electrical Requirements

120 V / 60 Hz
15 Amps

Specifications

10 Preset Drying Cycles:

Normal, Heavy Duty, Permanent Press, Bedding, Delicates, Sanitize, Time Dry, Air Fluff, Small Load, Wrinkle Release

3 Options:

Wrinkle Prevent, Child Lock, Smart Care

4 Temperature Settings:

High, Medium, Low, Extra Low

4 Dry Levels:

Extra Dry, More Dry, Normal Dry, Damp Dry

Gas Dryer	Model #	UPC Code
Brushed Black	DVG50B5100V	887276658728
White	DVG50B5100W	887276658735

Electric Dryer		
Brushed Black	DVE50B5100V	887276658704
White	DVE50B5100W	887276658711

Matching Washer		
Brushed Black	WA50B5100AV	887276661032
White	WA50B5100AW	887276661049

Matching Agitator Washer		
Brushed Black	WA49B5105AV	887276661308
White	WA49B5105AW	887276661315

Optional Accessories		
Vent Kit	DV-2A	887276146416

Warranty

One (1) Year Parts and Labor

Product Dimensions & Weight (WxHxD)

Dimensions: 27" x 46³/₁₆" x 30¹/₄"
Weight: 119.0 lbs

Shipping Dimensions & Weight (WxHxD)

Dimensions: 29⁹/₁₆" x 47⁷/₈" x 31³/₁₆"
Weight: 125.7 lbs

*Requires wireless network, Samsung account and Samsung SmartThings App. The Samsung SmartThings App supports Android OS 4.0 (ICS) or later which is optimized for Samsung smartphones (Galaxy S and Galaxy Note series). This app also supports iOS 7 or later for iPhone models. Samsung SmartThings App available in App Store and Play Store.

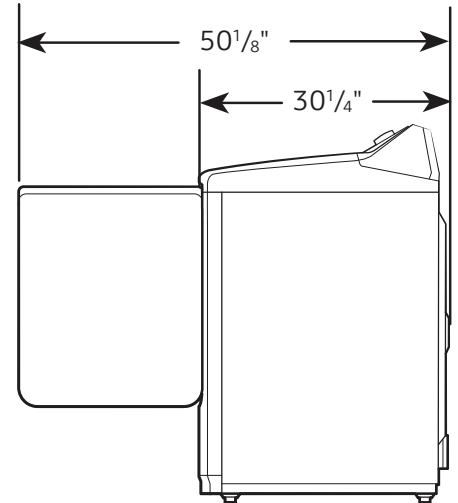
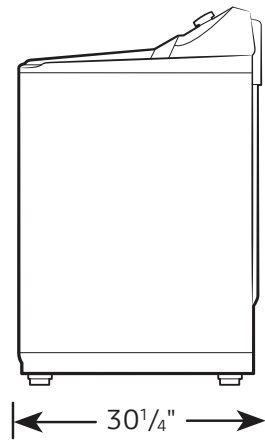
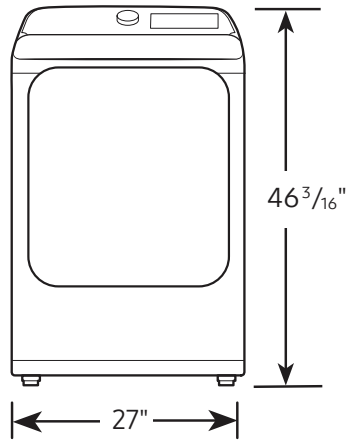
DVG50B5100

SAMSUNG

7.4 cu. ft. Gas Dryer with Sensor Dry

Dimensions

Required dimensions for installation:

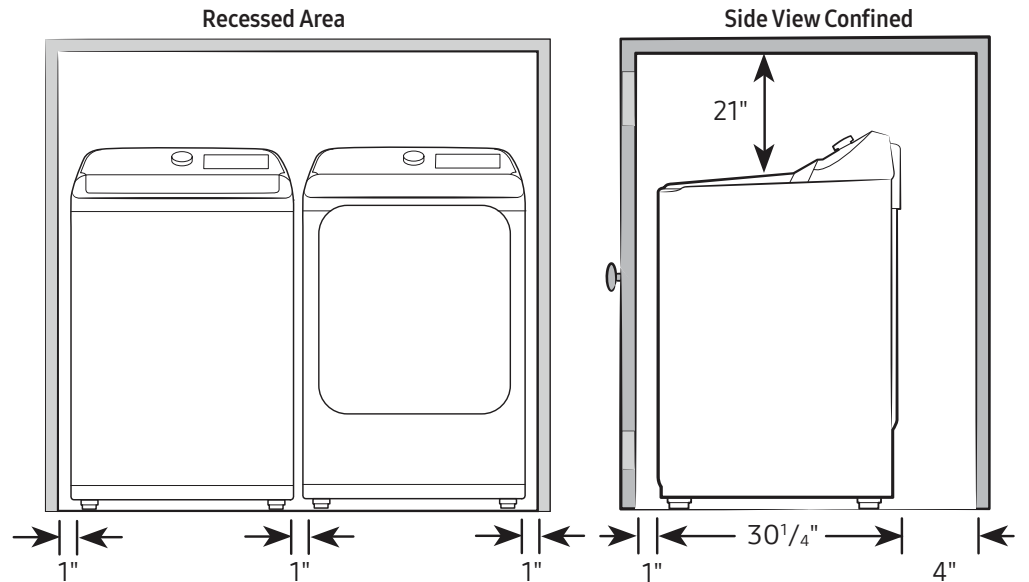


Installation Specifications – Side-by-Side

If the washer and dryer are installed together or the dryer alone, the closet front must have two unobstructed air openings for a combined minimum total area of 72-inch². Your washer alone does not require a specific air opening.

Alcove or closet installation

Minimum clearance for closet and alcove installations:

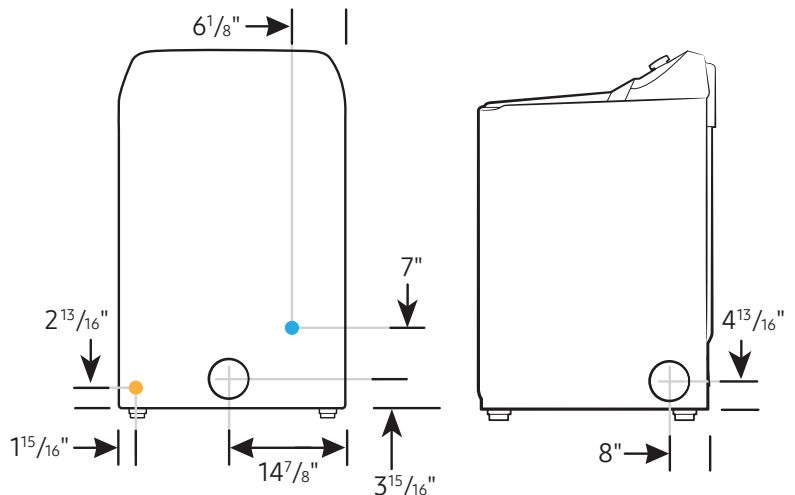


Connection Dimensions

Back and Side View of Gas Dryer

LEGEND:

- Cold Water Connection
- Gas Connection



Actual color may vary. Design, specifications, and color availability are subject to change without notice. Non-metric weights and measurements are approximate.

©2022 Samsung Electronics America, Inc., 85 Challenger Road, Ridgefield Park, NJ 07660. Tel: 800-SAMSUNG.samsung.com. Samsung is a registered trademark of Samsung Electronics Co., Ltd.