

Whirlpool®

SERVICE MANUAL

Whirlpool®, Maytag®, Amana®, & IKEA®
Ranges



W11174426 Rev B

FORWARD

This Whirlpool Service Manual (Part No. W11174426 Rev B), provides the In-Home Service Professional with service information for the “Whirlpool®, Maytag®, Amana®, and IKEA® Ranges.”

The Wiring Diagram used in this Service Manual is typical and should be used for training purposes only. Always use the Wiring Diagram supplied with the product tech sheet when servicing the oven.

For specific operating and installation information on the model being serviced, refer to the “Use and Care Guide” or “Installation Instructions” provided with the oven.

GOALS AND OBJECTIVES

The goal of this Service Manual is to provide information that will enable the In-Home Service Professional to properly diagnose malfunctions and repair the “Whirlpool®, Maytag®, Amana®, and IKEA® Ranges.”

The objectives of this Service Manual are to:

- Understand and follow proper safety precautions.
- Successfully troubleshoot and diagnose malfunctions.
- Successfully perform necessary repairs.

WHIRLPOOL CORPORATION assumes no responsibility for any repairs made on our products by anyone other than authorized In-Home Service Professionals.

©2022 Whirlpool Corporation. Benton Harbor, MI 49022

TABLE OF CONTENTS

Whirlpool®, Maytag®, Amana®, & IKEA® Ranges

SECTION 1: GENERAL INFORMATION	1-1
RANGE SAFETY.....	1-2
PRODUCT SPECIFICATIONS.....	1-3
PRODUCT FEATURES.....	1-7
MODEL & SERIAL NUMBER LOCATION.....	1-11
MODEL NOMENCLATURE	1-12
TECH SHEET LOCATION	1-14
SECTION 2: DIAGNOSTICS	2-1
SAFETY	2-2
DIAGNOSTICS MODE	2-3
FAILURE/ERROR DISPLAY CODES (ALL LCX/LCC CONTROL DISPLAYS).....	2-4
SECTION 3: COMPONENT TESTING	3-1
SAFETY	3-2
WIRING DIAGRAM.....	3-3
WIRING DIAGRAM FOR MODELS 4KAER5500A, 4KMER7600A AND 4KWFC120MA.....	3-3
WIRING DIAGRAM FOR MODELS 4KAER7685E, 4KMER7685E AND 4KWFE7685E.....	3-4
WIRING DIAGRAM FOR MODELS ACR2303MF, ACR3130BA AND YACR3230BC	3-5
WIRING DIAGRAM FOR MODELS ACR4303ME, ACR4503SE, ACR4530BA, YACR4330BC, WFC130M0E, WFC150M0E, WFC150MLE, WFC310S0E, YWFC150M0E, YWFC310S0B AND YWFC310S0E	3-6
WIRING DIAGRAM FOR MODELS ACR4303MF AND YACR4303MF	3-7
WIRING DIAGRAM FOR MODELS ACS4303MF AND YACS4303MF.....	3-8
WIRING DIAGRAM FOR MODELS AER5330BA, IES350X AND YWFE330W0E	3-9
WIRING DIAGRAM FOR MODELS AER5630BA, IES426A, YIES426A, WFE320M0E, WFE510SCE AND WFE515S0E	3-10
WIRING DIAGRAM FOR MODEL AER6011VA	3-11
WIRING DIAGRAM FOR MODELS AER6303MF AND YAER6303MF	3-12
WIRING DIAGRAM FOR MODELS AER6603SF AND YAER6603SF	3-13
WIRING DIAGRAM FOR MODELS AES6603SF AND YAES6603SF	3-14
WIRING DIAGRAM FOR MODELS AGR5630BD, IGS426A, WFG515S0E, WFG530S0E AND WFG534SLE.....	3-15
WIRING DIAGRAM FOR MODEL AGR6303MF	3-16
WIRING DIAGRAM FOR MODEL AGR6603SF.....	3-17
WIRING DIAGRAM FOR MODELS AGS6603SF AND WEG515S0F.....	3-18
WIRING DIAGRAM FOR MODEL YAER5630BE	3-19
WIRING DIAGRAM FOR MODELS IES505D AND YIES505D.....	3-20
WIRING DIAGRAM FOR MODEL IGS505D	3-21
WIRING DIAGRAM FOR MODEL YIEL530F.....	3-22
WIRING DIAGRAM FOR MODELS MER6600F AND YMER6600F.....	3-23
WIRING DIAGRAM FOR MODEL MGR6600F.....	3-24
WIRING DIAGRAM FOR MODEL WEC310S0F	3-25
WIRING DIAGRAM FOR MODEL WEE510S0F	3-26
WIRING DIAGRAM FOR MODEL WFC110M0A	3-27
WIRING DIAGRAM FOR MODEL WFC340S0E	3-28
WIRING DIAGRAM FOR MODEL WFE260LX	3-29
WIRING DIAGRAM FOR MODEL WFE520S0F	3-30
WIRING DIAGRAM FOR MODEL WFE530C0A	3-31
WIRING DIAGRAM FOR MODEL WFE530C0E	3-32
WIRING DIAGRAM FOR MODEL WFE905C0E	3-33
WIRING DIAGRAM FOR MODEL WFG520S0F	3-34
WIRING DIAGRAM FOR MODEL YWEC310S0F	3-35
WIRING DIAGRAM FOR MODEL YWEE510S0F	3-36
WIRING DIAGRAM FOR MODELS YWFE510S0E AND YWFE515S0E	3-37
WIRING DIAGRAM FOR MODEL YWFE520S0F	3-38
WIRING DIAGRAM FOR MODEL YWFE530C0E	3-39
WIRING DIAGRAM FOR MODELS WFG320M0MS, WFG505M0MS, AGR6303MMS, WFG515S0MS, AND AGR6603SMS	3-40
WIRING DIAGRAM FOR MODELS WFG320, WFG505, AND AGR6303	3-41
WIRING DIAGRAM FOR MODELS WFG320 AND WFG505	3-43
COMPONENT TESTING	3-45
COMPONENT LOCATION	3-49

SECTION 4: COMPONENT ACCESS	4-1
REMOVING THE COOKTOP	4-2
REMOVING THE CERAN ELEMENT.....	4-4
REMOVING THE ACU/HMI MODULE (REAR-CONTROL MODELS).....	4-5
ACCESSING THE ACU/HMI MODULE (FRONT-CONTROL MODELS ELECTRIC/GAS)	4-6
REMOVING THE INFINITE SWITCHES/BURNER CONTROLS (ELECTRIC)	4-7
ACCESSING THE OVEN COMPONENTS (ELECTRIC).....	4-8
ACCESSING THE OVEN COMPONENTS (GAS)	4-9

Section 1: General Information

This section provides general safety, parts, and information for the “Whirlpool®, Maytag®, Amana®, and IKEA® Ranges.”

- Range Safety
- Product Specifications
- Product Feature
 - Control Panel
- Model & Serial Label
 - Location
 - Model Nomenclature
- Tech Sheet Location

Range Safety

Your safety and the safety of others are very important.

We have provided many important safety messages in this manual and on your appliance. Always read and obey all safety messages.



This is the safety alert symbol.

This symbol alerts you to potential hazards that can kill or hurt you and others.

All safety messages will follow the safety alert symbol and either the word "DANGER" or "WARNING."

These words mean:

⚠ DANGER

You can be killed or seriously injured if you don't immediately follow instructions.

⚠ WARNING

You can be killed or seriously injured if you don't follow instructions.

All safety messages will tell you what the potential hazard is, tell you how to reduce the chance of injury, and tell you what can happen if the instructions are not followed.

Product Specifications

Electric Range

Dimensions	
Capacity (FT3, cubic feet)	4.8 or 5.3
Cutout Depth (IN, inches)	24
Cutout Height (IN, inches)	36
Cutout Width (IN, inches)	30
Depth Closed Excluding Handles (IN, inches)	25 ⁵ / ₁₆
Depth Closed Including Handles (IN, inches)	27 ³ / ₄
Depth With Door Open 90 Degree (IN, inches)	46 ⁷ / ₈
Depth (IN, inches)	27 ³ / ₄
Height (IN, inches)	46 ⁷ / ₈
Width (IN, inches)	29 ⁷ / ₈
Description	
Fuel Type	Electric
Range Type	Freestanding or Slide-in
Size (IN, inches)	30
Exterior	
Door Removable	Yes
Door Type	Metal & Glass or Enameled Steel or Glass Window
Drawer Type	Storage Drawer
Handle Color	White or Black or Stainless steel
Handle Material	Plastic or Metal
Handle Type	Reach Through Handle or Towel Bar
Appearance	
Oven Window	None or Small or Large or Extra Large
Controls	
Display Color	Green or Amber or Blue
Electronic Display Type	LED or Digital
Knob Color	Color Coordinated or Black on Stainless or Black
Knob Type	Dishwasher-Safe Plastic or Weighted-Plastic
Features	
Griddle	NA
Heating Element On Indicator Light	Yes
Power On Indicator Light	Yes
Hot Surface Indicator Light	Yes
Power Outage Compatible	Yes - Cooktop Only
Details	
Automatic Shut-Off	NA or Yes
Interior Color	Dark Grey or Grey
Oven Control Knob Color	White
Oven Control Knob Type	Plastic
Oven Control Location	Backguard or Front
Oven Control Type	Knobs or Electronic Touch
Oven Cooking System	Thermal

GENERAL INFORMATION (CONT.)

Bake Element Power	2400 W
Broiler Element Power	3400 W
Broiler Location	Top of Oven
Convection Element Type	None or Fan
Convection Functions	No or Bake
Number of Oven Lights	1
Oven Light Switch Location	Oven Control or Top of Console or Top of Oven
Oven Light Type	None or Incandescent
Oven Interior Depth (IN, inches)	18 ¹ / ₂
Oven Interior Height (IN, inches)	18 ¹ / ₈
Oven Interior Width (IN, inches)	24 ¹ / ₂
Number of Oven Racks	2
Number of Rack Guides	5
Oven Rack Type	Standard
Oven Self-Cleaning	Standard Clean or Adjustable Self Cleaning
Cooktop Details	
Cooktop Configuration	All Burners
Cooktop Control Knob Color	White or Black
Cooktop Control Knob Type	Plastic
Cooktop Control Location	Top Center or Front or Backguard
Cooktop Control Type	Knobs or Electronic Touch
Cooktop Element Style	Coil or Smoothtop or Radiant
Cooktop Surface Color	White or Color Coordinated Black on Stainless or Black
Cooktop Surface Material	Porcelain Coated Steel or Glass
Number of Cooking Element-Burners	4 or 5
Left Front Element-Burner Power	2100 W or 2600 W or 3000 W
Left Front Element-Burner Size	8" or 9"/6" or 12"
Left Front Element-Burner Type	Standard or Coil or Dual or Radiant
Left Rear Element-Burner Power	1200W or 1250W or 1500W
Left Rear Element-Burner Size	6" or 8"
Left Rear Element-Burner Type	Standard or Radiant or Coil
Right Front Element-Burner Power	1250 W or 1500 W or 2500 W or 3000 W or 3200 W
Right Front Element-Burner Size	6" or 9"/6" or 10"
Right Front Element-Burner Type	Standard or Coil or Dual or Radiant
Right Rear Element-Burner Power	1200 W or 1800 W or 2100 W or 2600 W
Right Rear Element-Burner Size	6" or 8"
Right Rear Element-Burner Type	Standard or Coil or Dual or Radiant
Center Rear Element-Burner Power	100 W
Center Rear Element-Burner Size	6"
Center Rear Element-Burner Type	Warming
Cooktop Details	
Amps	40
Hz	60
Volts	220 or 120/240
Power Cord Included	Yes

Gas Range

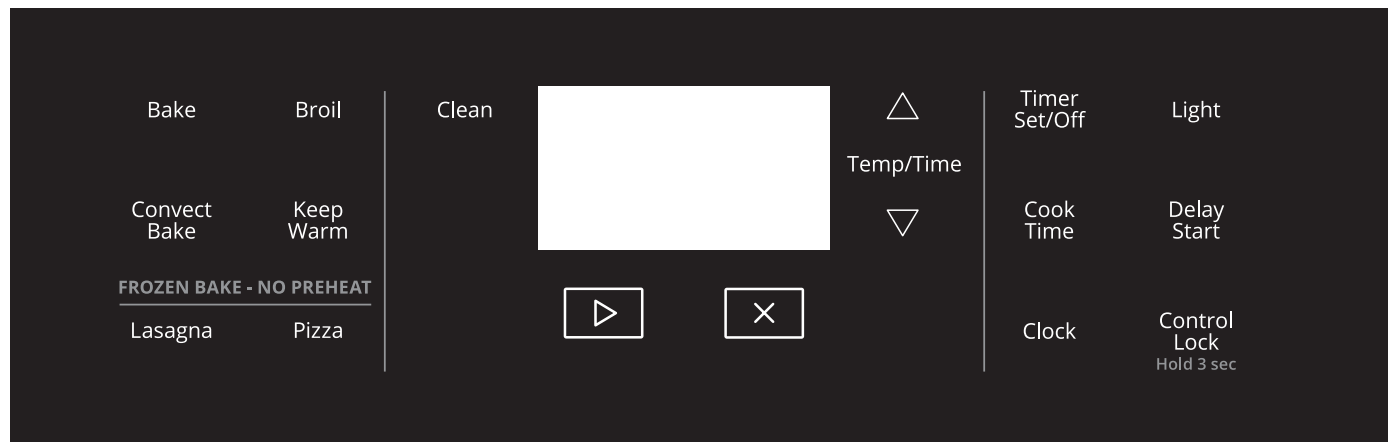
Dimensions	
Capacity (FT3, cubic feet)	5
Cutout Depth (IN, inches)	24
Cutout Height (IN, inches)	36
Cutout Width (IN, inches)	30
Depth Closed Excluding Handles (IN, inches)	25 ⁷ / ₁₆
Depth Closed Including Handles (IN, inches)	27 ⁷ / ₈
Depth With Door Open 90 Degree (IN, inches)	46 ⁹ / ₁₆
Depth (IN, inches)	27 ⁷ / ₈
Height (IN, inches)	46 ⁷ / ₈
Width (IN, inches)	29 ⁷ / ₈
Description	
Fuel Type	Gas
Range Type	Freestanding or Slide-in
Size (IN, inches)	30
Exterior	
Door Removable	Yes
Door Type	Glass Window or Metal & Glass
Drawer Type	Storage Drawer
Handle Color	Black or Stainless Steel
Handle Material	Plastic or Stainless Steel
Handle Type	Towel Bar or Reach Through Handle
Appearance	
Oven Window	Large or Extra Large
Controls	
Display Color	Green or Amber or Blue
Electronic Display Type	LED/Digital
Knob Color	Color Coordinated/Black on Stainless
Knob Type	Dishwasher-Safe Plastic or Weighted-Plastic
Features	
Griddle	Optional Accessory
LP Convertible	Yes - Kit Included
Power On Indicator Light	Yes
Power Outage Compatible	Yes - Cooktop Only
Heating Element On Indicator Light	Yes
Details	
Automatic Shut-Off	NA or Yes
Interior Color	Grey
Oven Control Knob Color	Black
Oven Control Location	Front/Backguard
Oven Control Type	Electronic Touch
Oven Cooking System	Thermal
Bake Element Power	16,500 BTU
Hidden Bake Element	Yes
Broiler Element Power	10,000 BTU

GENERAL INFORMATION (CONT.)

Broiler Location	Top of Oven or Top of Console
Convection Element Type	None/Fan
Convection Functions	No/Bake
Number of Oven Lights	1
Oven Light Switch Location	Oven Control/Top of Console
Oven Light Type	Incandescent
Oven Interior Depth (IN, inches)	18 ¹ / ₂
Oven Interior Height (IN, inches)	18 ¹ / ₈
Oven Interior Width (IN, inches)	24 ¹ / ₂
Number of Oven Racks	2
Number of Rack Guides	5
Oven Rack Type	Standard
Oven Self-Cleaning	Adjustable Self Cleaning
Cooktop Details	
Cooktop Control Knob Color	Stainless Steel or Color Coordinated or Black
Cooktop Control Knob Type	Dishwasher Safe Plastic
Cooktop Control Location	Front or Backguard
Cooktop Control Type	Knobs or Electronic Touch
Cooktop Element Style	Sealed Burner or Gas Burner
Cooktop Surface Color	Color Coordinated Black on Stainless or Black
Cooktop Surface Material	Porcelain Coated Steel
Ignition Type	Electronic or Direct Spark Ignition
Number of Cooking Element-Burners	4 or 5
Left Front Element-Burner Power	15,000 BTU
Left Front Element-Burner Type	High Output
Left Rear Element-Burner Power	9,500 BTU
Left Rear Element-Burner Type	Sealed Burner/Multi Purpose
Right Front Element-Burner Power	15,000 BTU
Right Front Element-Burner Type	High Output
Right Rear Element-Burner Power	5,000 BTU
Right Rear Element-Burner Type	Simmer or Sealed Burner
Grate Details	Cast Iron Grates or Porcelain Coated Cast Grates
	Dishwasher Safe
	Matte Finish or Gloss Finish
Number of Grates	2
Center Rear Element-Burner Power	8,000 BTU
Center Rear Element-Burner Type	Multi Purpose
Electrical	
Amps	15
Hz	60
Volts	120
Power Cord Included	Yes

Product Features


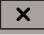
CONTROL PANEL



KEYPAD	FEATURE	INSTRUCTIONS
Bake	Baking and roasting	<ol style="list-style-type: none"> 1. Press BAKE. 2. Press the Temp/Time “up” or “down” arrow keypad until desired temperature is reached. A tone will sound if the minimum or maximum temperature is reached. 3. Press START. 4. To change the temperature, repeat Step 2. Press START. 5. Press CANCEL when finished. <p>NOTE: The convection fan will shut off when the oven door is opened. If the oven door remains open for too long, the heating elements will shut off until the oven door is closed. All timers, including any active Cook Time or Timed Cook functions, will continue to count down.</p>
Convect Bake	Convection baking and roasting	<ol style="list-style-type: none"> 1. Press CONVECT BAKE. 2. Press the Temp/Time “up” or “down” arrow keypad until desired temperature is reached. A tone will sound if the minimum or maximum temperature is reached. 3. Press START. 4. To change the temperature, repeat Step 2. Press START. 5. Press CANCEL when finished. <p>NOTES:</p> <ul style="list-style-type: none"> ■ There is a 5-minute delay before the convection fan turns on when starting a Convect Bake cycle. ■ The convection fan will shut off when the oven door is opened. If the oven door remains open for too long, the heating elements will shut off until the oven door is closed. All timers, including any active Cook Time or Timed Cook functions, will continue to count down.

GENERAL INFORMATION (CONT.)

KEYPAD	FEATURE	INSTRUCTIONS
Frozen Bake	Prepackaged food	<ol style="list-style-type: none">1. Position the food on a flat rack in the oven on rack position 4. NOTE: Cook only 1 package of frozen food at a time when using Frozen Bake™ Technology.2. Press FROZEN BAKE LASAGNA or PIZZA.3. Press the Temp/Time “up” or “down” arrow keypad to set the temperature as recommended on the food packaging.4. Press COOK TIME.5. Press the Temp/Time “up” or “down” arrow keypad to set the maximum cook time as recommended on the food packaging.6. Press START. The range will calculate the best cook time based on the current oven temperature. NOTE: The cook time that appears in the display is the estimated required cook time as calculated by the oven control. It may be different than the time you entered. A beep will alert you to check the food’s doneness with at least 2 minutes remaining on the timer. Follow the prompts on the display to select more time if desired.7. Press START to start the calculated time.8. At the end of the cook time, a beep will alert you to check the food’s doneness. Follow the prompts on the display to select more time if desired. Unless more time is selected, the bake element turns off.9. Press CANCEL when finished. NOTE: The convection fan will shut off when the oven door is opened. If the oven door remains open for too long, the heating elements will shut off until the oven door is closed. All timers, including any active Cook Time or Timed Cook functions, will continue to count down.
Broil	Broiling	<ol style="list-style-type: none">1. Position cookware in oven and close the oven door.2. Press BROIL.3. Press the Temp/Time “up” or “down” arrow keypad until the desired temperature is reached. A tone will sound if the minimum or maximum temperature is reached.4. Press START.5. To change the temperature, repeat Step 3. Press START.6. Press CANCEL when finished. NOTE: The convection fan will shut off when the oven door is opened. If the oven door remains open for too long, the heating elements will shut off until the oven door is closed. All timers, including any active Cook Time or Timed Cook functions, will continue to count down.
Keep Warm	Hold warm	<p>Food must be at serving temperature before placing it in the warmed oven.</p> <ol style="list-style-type: none">1. Press KEEP WARM.2. Temperature is set at 170°F (75°C). Press the Temp/Time “up” or “down” arrow keypad until desired temperature is reached. A tone will sound if the minimum or maximum temperature is reached.3. Press START.4. Press CANCEL when finished. NOTE: The convection fan will shut off when the oven door is opened. If the oven door remains open for too long, the heating elements will shut off until the oven door is closed. All timers, including any active Cook Time or Timed Cook functions, will continue to count down.

KEYPAD	FEATURE	INSTRUCTIONS
Clean	Self-Cleaning cycle	<p>The Self-Cleaning cycle is time adjustable between 2 hours 30 minutes and 4 hours 30 minutes in 30-minute increments. The suggested clean times are 2 hours 30 minutes for light soil and 4 hours 30 minutes for heavy soil.</p> <p>IMPORTANT: When cooktop is in use, the Self-Cleaning cycle will be disabled. An error tone will sound and the Cooktop On indicator light will flash. If you turn on the cooktop when the Self-Cleaning cycle is in use, it will disable the Self-Cleaning cycle and “END” will be displayed.</p> <p>To Self-Clean:</p> <ol style="list-style-type: none"> 1. Press CLEAN. 2. Press the Temp/Time “up” or “down” arrow keypad to enter the desired Self-Cleaning cycle time. 3. Press START. The oven door will automatically lock. The Door Locked and Clean indicator lights will be displayed. The time remaining will also be displayed. 4. When the Self-Cleaning cycle is complete and the oven cools, the Door Locked and Clean indicator lights will turn off. 5. When the oven is completely cooled, remove ash with a damp cloth. To exit the Self-Cleaning cycle before completed, press CANCEL. The door will unlock once the oven cools.
Start 	Cooking start	The Start keypad begins any oven function. If Start is not pressed within 5 seconds, a tone will sound and Start will blink until pressed or canceled. If Start is not pressed within 1 minute after pressing a keypad, the function is canceled and the time of day is displayed.
Cancel 	Range function	The Cancel keypad stops any function except the Timer and Control Lock.
Temp/Time	Temperature and time adjust	The Temp/Time “up” and “down” arrow keypads are used to adjust time and temperature settings.
Timer Set/Off	Oven timer	<p>The timer can be set in hours or minutes up to 9 hours and 59 minutes.</p> <ol style="list-style-type: none"> 1. Press Timer Ser/Off. 2. Press the Temp/Time “up” or “down” arrow keypad to set the length of time. 3. Press Start to begin the countdown. If enabled, end-of-cycle tones will sound at end of countdown. 4. Press Timer Set/Off to cancel the Timer. Do not press Cancel because the oven will turn off.
Cook Time	Timed cooking	<p>Timed cooking allows the oven to be set to turn on at a certain time of day, cook for a set length of time, and/or shut off automatically.</p> <p>To Set a Timed Cook:</p> <ol style="list-style-type: none"> 1. Press Bake. The Bake indicator light will light up. 2. Press the Temp/Time “up” or “down” arrow keypad to enter a temperature other than the one displayed. 3. Press Cook Time. The Cook Time oven indicator light will light up. 4. Press the Temp/Time “up” or “down” arrow keypad to enter the length of time to cook. 5. Press Start. The display will count down the time. When the time ends, the oven will shut off automatically. 6. Press Cancel to clear the display.
Clock	Clock	<p>The clock uses a 12-hour cycle.</p> <ol style="list-style-type: none"> 1. Check that the oven is OFF. 2. Press CLOCK. 3. Press the Temp/Time “up” or “down” arrow keypad to set the hours. Press CLOCK to switch the minutes. Press the Temp/Time “up” or “down” arrow keypad to set the minutes. 4. Press CLOCK or START.
Light	Oven cavity light	While the oven door is closed, press LIGHT to turn the light on and off. The oven light will come on when the oven door is opened. The oven light will not come on during the Self-Cleaning cycle.

GENERAL INFORMATION (CONT.)

KEYPAD	FEATURE	INSTRUCTIONS
Delay Start	Delay start	<p>The Delay keypad is used to enter the starting time for an oven function with a delayed start. Delay should not be used for foods such as breads and cakes because they may not bake properly.</p> <p>Before setting, make sure the clock is set to the correct time of day. See “Clock” keypad feature in the “Feature Guide” section.</p> <ol style="list-style-type: none">1. Press BAKE.2. Press the Temp/Time “up” or “down” arrow keypad to enter a temperature other than the one displayed.3. Press COOK TIME. The cook time oven indicator light will light up.4. Press Temp/Time “up” or “down” arrow keypad to enter the length of time to cook.5. Press DELAY. The delay oven indicator light will light up.6. Press Temp/Time “up” or “down” arrow keypad to enter the time of day to start.7. Press START. When the start time is reached, the oven will automatically turn on. The temperature and/or time settings can be changed anytime after pressing START by repeating steps 1 through 7. When the set cook time ends, the oven will shut off automatically.8. Press CANCEL to clear the display.
CONTROL LOCK (Hold 3 Sec)	Oven control lockout	<ol style="list-style-type: none">1. Check that the oven is OFF.2. Press and hold the CONTROL LOCK for 3 seconds.3. A tone will sound and a lock will be displayed.4. Repeat to unlock. No keypads will function with the controls locked.

Model & Serial Number Location



Model & Serial Number
Label Location
(behind oven door,
under console)

Model Nomenclature

MODEL NUMBER

INTERNATIONAL SALES OR
MARKETING CHANNEL

W E C 3 1 0 S 0 F

Brand
W = Whirlpool

Platform
G = Double Oven Range
E = Slide-In Range
L = Double Oven Slide-In Range
X = Drop-In Range

Sub Platform/Fuel
E = Electric (Radiant Ceran)
C = Coil
I = Induction
G = Gas
D = Dual Fuel

Series
1 = OPP
3 = Low Line
5 = Mid Line
7 = High (GOLD)
9 = Hero (GOLD)

Feature Level/Key Feature
Feature Level (0-9)

Feature Level/Key Feature
Feature Level (0-9)

M = Standard Clean
W = Steam Clean
S = Self Clean
H = He Self Clean
C = Steam Clean & Self Clean

0 = 30" Width
2 = 42" Width
4 = 24" Width
6 = 36" Width
8 = 48" Width
T = 20" Width

YEAR PF MARKET INTRODUCTION

F = 2016
G = 2017
H = 2018
J = 2019

MODEL NUMBER	A	CR	4	5	0	3	S	E
Brand A = Amana								
Fuel & Platform ER = Electric Range GR = Gas Range CR = Coil Range CS = Coil Slide In ES = Electric Slide In GS = Gas Slide In								
Suite Series 2 = Basic/OPP/Contract 4 = Better/Medium 6 = Best (Built In)								
Feature Level From 0-9								
Feature Level From 0-9								
Size FSR/Wall Ovens/Cktps Only 2 = 20" 3 = 30" 4 = 24" 7 = 27" 6 = 36"								
Cleaning System S = Self Clean M = Manual Clean H = Low Temp Self Clean L = Low Temp Self Clean 2.0								
Launch Year A = 2012 B = 2013 D = 2014 E = 2015 F = 2016 G = 2017 H = 2018 J = 2019								

Tech Sheet Location

Tech Sheet Location



Notes

Notes

Section 2: Diagnostics

This section provides diagnostic and fault codes information for the “Whirlpool®, Maytag®, Amana®, and IKEA® Ranges.”

- Safety
- Diagnostics Mode
- Error Codes

For Service Technician Use Only

Safety

⚠ DANGER



Electrical Shock Hazard

Only authorized technicians should perform diagnostic voltage measurements.

After performing voltage measurements, disconnect power before servicing.

Failure to follow these instructions can result in death or electrical shock.

⚠ WARNING



Electrical Shock Hazard

Disconnect power before servicing.

Replace all parts and panels before operating.

Failure to do so can result in death or electrical shock.

Voltage Measurement Safety Information

When performing live voltage measurements, you must do the following:

- Verify the controls are in the off position so that the appliance does not start when energized.
- Allow enough space to perform the voltage measurements without obstructions.
- Keep other people a safe distance away from the appliance to prevent potential injury.
- Always use the proper testing equipment.
- After voltage measurements, always disconnect power before servicing.

IMPORTANT: Electrostatic Discharge (ESD) Sensitive Electronics

ESD problems are present everywhere. ESD may damage or weaken the electronic control assembly. The new control assembly may appear to work well after repair is finished, but failure may occur at a later date due to ESD stress.

- Use an antistatic wrist strap. Connect wrist strap to green ground connection point or unpainted metal in the appliance

-OR-

Touch your finger repeatedly to a green ground connection point or unpainted metal in the appliance.

- Before removing the part from its package, touch the antistatic bag to a green ground connection point or unpainted metal in the appliance.
- Avoid touching electronic parts or terminal contacts; handle electronic control assembly by edges only.
- When repackaging failed electronic control assembly in antistatic bag, observe above instructions.

For Service Technician Use Only

Diagnostics Mode

Diagnostics Mode (All LCX/LCC Controls)

Enter Diagnostics mode by pressing CANCEL>CANCEL>START within a 5-second period.

Step No.	Keypad Pressed	Setting	Control Display	Diagnostics Mode Operation Descriptions
1	CANCEL>CANCEL>START	1 st	"tSt"	Perform Diagnostics Test mode relay checks. See "Diagnostics Test Mode (All LCX Controls)" section.
2	Press the "up" arrow keypad to scroll through the diagnostics settings.	2 nd	### °F or °C	Oven sensor temperature
		3 rd	U 00 through U 30 or U 00 through U-30 °F or °C	User cooking offset. "-" (minus) indicates a negative number.
		4 th	S## ## ##	Software version
		5 th	Ch ###	Memory checksum
		6 th	Ok or CLr	Displayed if there is no error code.
		6a	F#E#	Displayed if an error code is present. Press START to clear error code.
		6b	##	Accumulated days of operation before error code. Displayed only if an error code is present.
		7 th	##### (0-1999)	Total accumulated days of operation
		8 th	00 or 01	Latch and door switch state: 00 = open (unlocked), 01 = closed (unlocked)
3	If an error code is present, follow the suggested action procedure listed for the displayed code as listed in the "Failure/Error Display Codes (All LCX Control Displays)" section. If ok or CLr is displayed, do not continue the relay checks in Diagnostics Test mode.			
4	While still in the Diagnostics mode, press the keypads below as indicated to test individual control relays.			

- Entering Diagnostics mode will cancel any active oven operation.
- Enter the Diagnostics mode only after the oven is cool.

For Service Technician Use Only

Diagnostics Test Mode (All LCX/LCC Controls)

Function	Keypad Pressed	Description
Bake relay	BAKE	Turns Bake element on. Press again to turn Bake element off.
Broil relay	BROIL	Turns Broil element on. Press again to turn Broil element off.
Latch motor relay	CLEAN	Cycles the latch motor; control is looking for the switch change. Press CLEAN a second time to cycle the latch motor again and return to Diagnostics mode.
Oven light relay	OVEN LIGHT	Turns oven light on; "OL" is displayed. Press again to turn the oven light off.
LED display check	TIMER SET/OFF	Turns on all LED display segments. Press again to return to the previous display.
Enunciator operation	START	Emits tone for validation.
Left front cooktop relay	LEFT FRONT ON/OFF	Turns left front cooktop element on. Press again to turn left front cooktop element off.
Left rear cooktop relay	LEFT REAR ON/OFF	Turns left rear cooktop element on. Press again to turn left rear cooktop element off.
Right front cooktop relay	RIGHT FRONT ON/OFF	Turns right front cooktop element on. Press again to turn right front cooktop element off.
Right rear cooktop relay	RIGHT REAR ON/OFF	Turns right rear cooktop element on. Press again to turn right rear cooktop element off.
All cooktop relays	KEEP WARM	Turns all cooktop elements on. Press again to turn all cooktop elements off.
Exit Diagnostics mode	CANCEL	Emits tone and exits Diagnostics mode.

- All elements (depending on which cycle is being used) will operate with the oven door open.
- Latch motor will not cycle with oven door open.
- On electric models, the DLB (double line break) will engage on entering the Diagnostics mode and disengage on exit.

Failure/Error Display Codes (All LCX/LCC Control Displays)

Electric & Gas Range

Display Codes	Likely Failure Condition	Suggested Corrective Action Procedure
No display	Control not operational	<p>Check for proper voltage input at P1-1 to P1-3 by completing the following steps:</p> <ol style="list-style-type: none"> 1. Unplug range or disconnect power. 2. Connect voltage measurement equipment. 3. Plug in range or reconnect power and confirm voltage reading is 120 V. If it is, unplug range or disconnect power and go to Step 4. If it is not, unplug range or disconnect power and go to Step 5. 4. Replace the control. Go to Step 6. 5. Check wires and connectors between the control and terminal block and make sure connectors are fully seated. 6. Replace all parts and panels before operating. 7. Plug in range or reconnect power. 8. Verify operation is normal. Enter Diagnostics mode and verify that there are no error codes.
F1E0 F1E1 F1E2	Internal board failure A/D Error(s)	<ol style="list-style-type: none"> 1. Enter Diagnostics mode by pressing CANCEL>CANCEL>START within 5 seconds. If failure displayed does match, go to Step 2. 2. Unplug range or disconnect power. 3. Replace the control. 4. Replace all parts and panels before operating. 5. Plug in range or reconnect power.

For Service Technician Use Only

Display Codes	Likely Failure Condition	Suggested Corrective Action Procedure
F2E1	Shorted keypad	<ol style="list-style-type: none"> 1. Unplug range or disconnect power. 2. Inspect keypad connection to main control (P11). If connection is loose/unplugged, reconnect. 3. Replace all parts and panels before operating. 4. Plug in range or reconnect power. Allow 60 seconds for main control to identify keypad. If error code reappears, go to Step 5. If the error code does not reappear, go to Step 9. 5. Unplug range or disconnect power. Inspect keypad connector (P11) to main control for sign of damage (cracked, ripped, etc.). If damage is found, go to Step 8. 6. Replace all parts and panels before operating. 7. Plug in range or reconnect power. Allow 60 seconds for main control to identify keypad. If error code reappears, go to Step 8. If the error code does not reappear, go to Step 9. 8. Replace components in the following order of likelihood of failure: <ol style="list-style-type: none"> a. Keypad b. Main control 9. Replace all parts and panels before operating. 10. Plug in range or reconnect power. 11. Verify operation is normal. Enter Diagnostics mode and verify that there are no error codes.
F3E0	Oven sensor opened Oven sensor shorted Bake/Broil range over temperature Clean range over temperature	<ol style="list-style-type: none"> 1. Enter Diagnostics mode by pressing CANCEL>CANCEL>START within 5 seconds. Verify oven sensor temperature is at room temperature (typically 50°F to 90°F [10°C to 32.2°C]) and verify failure code. If failure code does match, go to Step 2. 2. Unplug range or disconnect power. 3. Check all sensor connections on harness and board. 4. Disconnect sensor from harness. 5. Measure sensor resistance between connector pins and confirm reading is between 1000 Ω and 1200 Ω at room temperature. Also measure from sensor connector to sensor casing for possible short. If measurement is not correct or if short is found, replace sensor. 6. Trace wires and connectors to sensor from control, then back to control. If wire or connection is damaged, replace the harness. If wire or connector is not damaged, replace oven temperature sensor. 7. Reconnect the sensor to the harness. 8. Replace all parts and panels before operating. 9. Plug in range or reconnect power. 10. Enter Diagnostics mode and clear the error code. Press BAKE and then START. Observe for longer than 1 minute. 11. If failure does not reappear, stop. If failure remains, unplug range or disconnect power and check wire connections.

For Service Technician Use Only

Display Codes	Likely Failure Condition	Suggested Corrective Action Procedure
F5E1	Door latch not operating (Clean mode)	<ol style="list-style-type: none"> 1. Enter Diagnostics mode by pressing CANCEL>CANCEL>START within 5 seconds. If failure displayed does match, go to Step 2. 2. While in Diagnostics mode, press the Clean keypad to run the lock motor. <ul style="list-style-type: none"> If the door is not latched (locked) and the Door Locked icon is lit, go to Step a. If the door is latched (locked) and the Door Locked icon is not lit, go to Step b. If the door is not latched (locked) and the Door Locked icon is not lit, go to Step c. a. The control, latch motor, and latch switch are operating properly. Check the locking mechanism. <ol style="list-style-type: none"> a1. Unplug range or disconnect power. a2. Check the integrity of the latch mechanism from cam, through the actuating rod, to the latch pawl and door slot. a3. Ensure that the pawl aligns with the door slot. Correct any mechanical malfunction and go to Step c. b. The latch switch is not indicating that the door is locked. <ol style="list-style-type: none"> b1. Unplug range or disconnect power. b2. Replace the motor assembly and go to Step 3. c. The latch motor relay or latch motor is not working. <ol style="list-style-type: none"> c1. Check for proper voltage at P2-3 to N when the latch motor should be running (within 20 seconds of pressing CLEAN) by completing the following steps. <ol style="list-style-type: none"> c2. Unplug range or disconnect power. c3. Connect voltage measurement equipment. c4. Plug in range or reconnect power and confirm voltage reading is 120 V. Unplug range or disconnect power. <ul style="list-style-type: none"> If voltage reading is 120 V, go to Step c6. If the voltage reading is not 120 V, go to Step c5. c5. Replace the control, then go to Step 3. c6. Check continuity of the latch motor. <ul style="list-style-type: none"> - If continuity is present, check the electrical connections and inspect for damage to the harness. Make any repairs, then go to Step 3. - If continuity is not present, replace motor assembly. Go to Step 3. 3. Replace all parts and panels before operating. 4. Plug in range or reconnect power. 5. Put range into Clean mode to verify proper operation. 6. Verify operation is normal. Enter Diagnostics mode and verify that there are no error codes.

For Service Technician Use Only

Display Codes	Likely Failure Condition	Suggested Corrective Action Procedure															
F6E1	Oven over temperature when heating	<ol style="list-style-type: none"> 1. Enter Diagnostics mode by pressing CANCEL>CANCEL>START within 5 seconds. Oven temperature is displayed on the screen. Manually check the oven for heat. <table border="1" style="width: 100%; border-collapse: collapse; margin: 5px 0;"> <thead> <tr> <th style="text-align: left;">If the oven is ...</th> <th style="text-align: left;">and temperature reading is ...</th> <th style="text-align: left;">go to ...</th> </tr> </thead> <tbody> <tr> <td>Warm</td> <td>Near 600°F (316°C)</td> <td>Step 2</td> </tr> <tr> <td>Warm</td> <td>Room temperature</td> <td>Step 4</td> </tr> <tr> <td>Room temperature</td> <td>Near 600°F (316°C)</td> <td>Step 4</td> </tr> <tr> <td>Room temperature</td> <td>Room temperature</td> <td>Step 5</td> </tr> </tbody> </table> 2. Unplug range or disconnect power. Inspect control board connector P3 for a backed-out terminal or loose connection. If found, reconnect or replace harness and go to Step 5. If not, go to Step 3. 3. Disconnect control board connector P3. Measure resistance across P3-4 and P3-5. At room temperature, the thermal sensor should read between 1000 Ω and 1200 Ω. Reconnect P3. If the test results are correct, replace the control board and go to Step 5. If the results are not correct, go to Step 4. 4. Disconnect the oven sensor from the wiring harness and measure resistance across the sensor terminals. Resistance reading should be between 1000 Ω and 1200 Ω. If the test results are correct, replace the wiring harness between the sensor and the control board, and then go to Step 5. If the test results are not correct, replace the sensor and go to Step 5. 5. Replace all parts and panels before operating. 6. Plug in range or reconnect power. 7. Verify operation is normal. Enter Diagnostics mode and verify that there are no error codes. 	If the oven is ...	and temperature reading is ...	go to ...	Warm	Near 600°F (316°C)	Step 2	Warm	Room temperature	Step 4	Room temperature	Near 600°F (316°C)	Step 4	Room temperature	Room temperature	Step 5
If the oven is ...	and temperature reading is ...	go to ...															
Warm	Near 600°F (316°C)	Step 2															
Warm	Room temperature	Step 4															
Room temperature	Near 600°F (316°C)	Step 4															
Room temperature	Room temperature	Step 5															
F9E0	Miswired house Miswired range	<ol style="list-style-type: none"> 1. Enter Diagnostics mode by pressing CANCEL>CANCEL>START within 5 seconds. If failure displayed does match, go to Step 2. 2. Unplug range or disconnect power. 3. Verify that the house power supply provides 240 VAC between L1 and L2 and 120 VAC between L1 and N and L2 and N. If house power supply is not correct, call a qualified electrician. If voltage measurements are correct, go to Step 4. 4. Verify that the electric supply is wired correctly at the range terminal block. 5. Replace all parts and panels before operating. 6. Plug in range or reconnect power. 7. Verify normal operation. 8. Enter Diagnostics mode and clear the error code. 															


Section 3: Component Testing


This section provides the wiring diagram, component testing, and component location for the “Whirlpool®, Maytag®, Amana®, and IKEA® Ranges.”

- Safety
- Wiring Diagram
- Component Testing
- Component Location

For Service Technician Use Only

Safety

⚠ DANGER

<p style="text-align: center;">Electrical Shock Hazard</p> <p>Only authorized technicians should perform diagnostic voltage measurements.</p> <p>After performing voltage measurements, disconnect power before servicing.</p> <p>Failure to follow these instructions can result in death or electrical shock.</p>

⚠ WARNING

<p style="text-align: center;">Electrical Shock Hazard</p> <p>Disconnect power before servicing.</p> <p>Replace all parts and panels before operating.</p> <p>Failure to do so can result in death or electrical shock.</p>

<p>Voltage Measurement Safety Information</p> <p>When performing live voltage measurements, you must do the following:</p> <ul style="list-style-type: none">■ Verify the controls are in the off position so that the appliance does not start when energized.■ Allow enough space to perform the voltage measurements without obstructions.■ Keep other people a safe distance away from the appliance to prevent potential injury.■ Always use the proper testing equipment.■ After voltage measurements, always disconnect power before servicing.

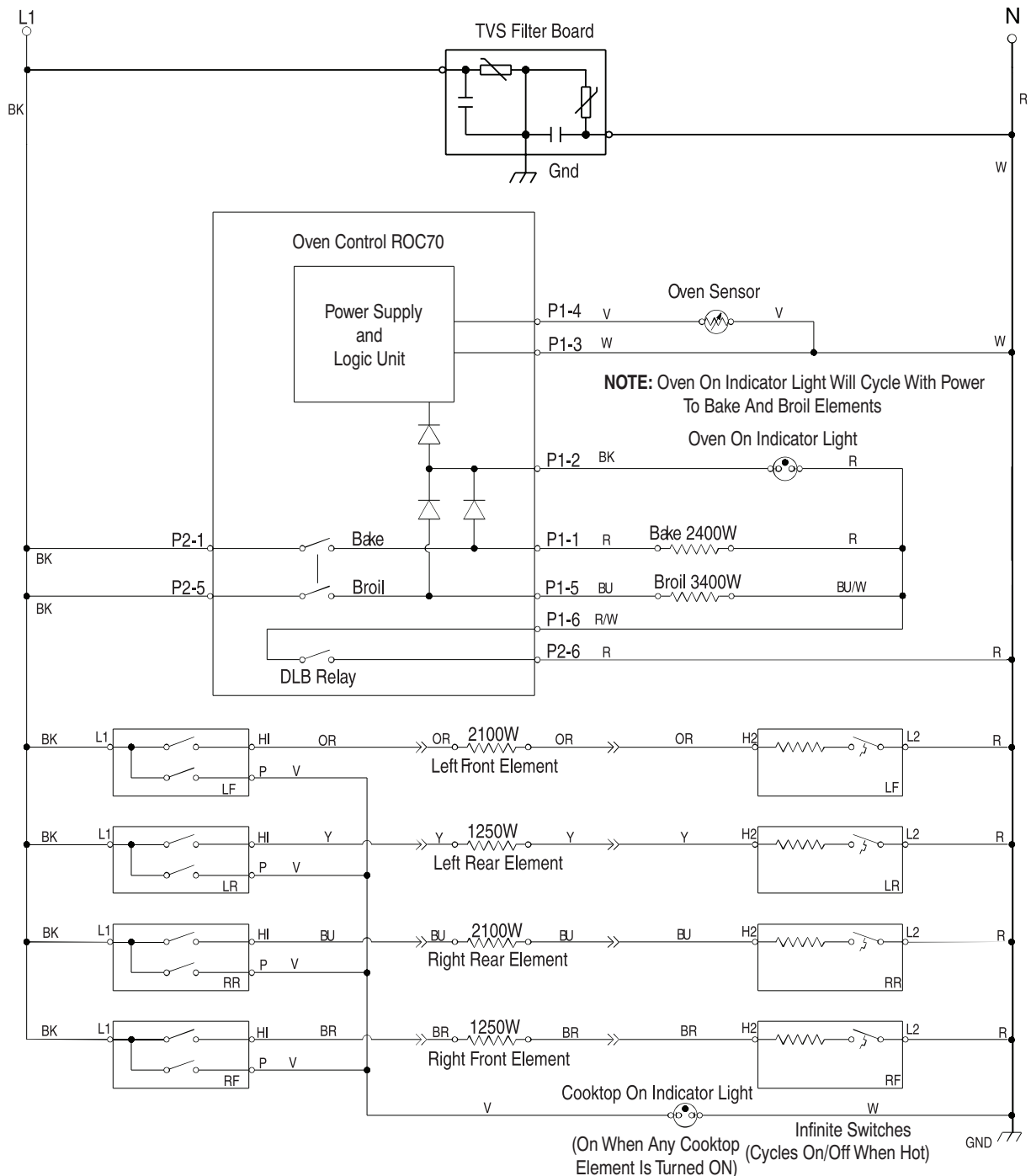
<p>IMPORTANT: Electrostatic Discharge (ESD) Sensitive Electronics</p> <p>ESD problems are present everywhere. ESD may damage or weaken the electronic control assembly. The new control assembly may appear to work well after repair is finished, but failure may occur at a later date due to ESD stress.</p> <ul style="list-style-type: none">■ Use an antistatic wrist strap. Connect wrist strap to green ground connection point or unpainted metal in the appliance <p style="text-align: center;">-OR-</p> <p style="text-align: center;">Touch your finger repeatedly to a green ground connection point or unpainted metal in the appliance.</p> <ul style="list-style-type: none">■ Before removing the part from its package, touch the antistatic bag to a green ground connection point or unpainted metal in the appliance.■ Avoid touching electronic parts or terminal contacts; handle electronic control assembly by edges only.■ When repackaging failed electronic control assembly in antistatic bag, observe above instructions.

For Service Technician Use Only

Wiring Diagram

Wiring diagram for models 4KAER5500A, 4KMER7600A and 4KWFC120MA

NOTE: Schematic is shown with the elements turned off.



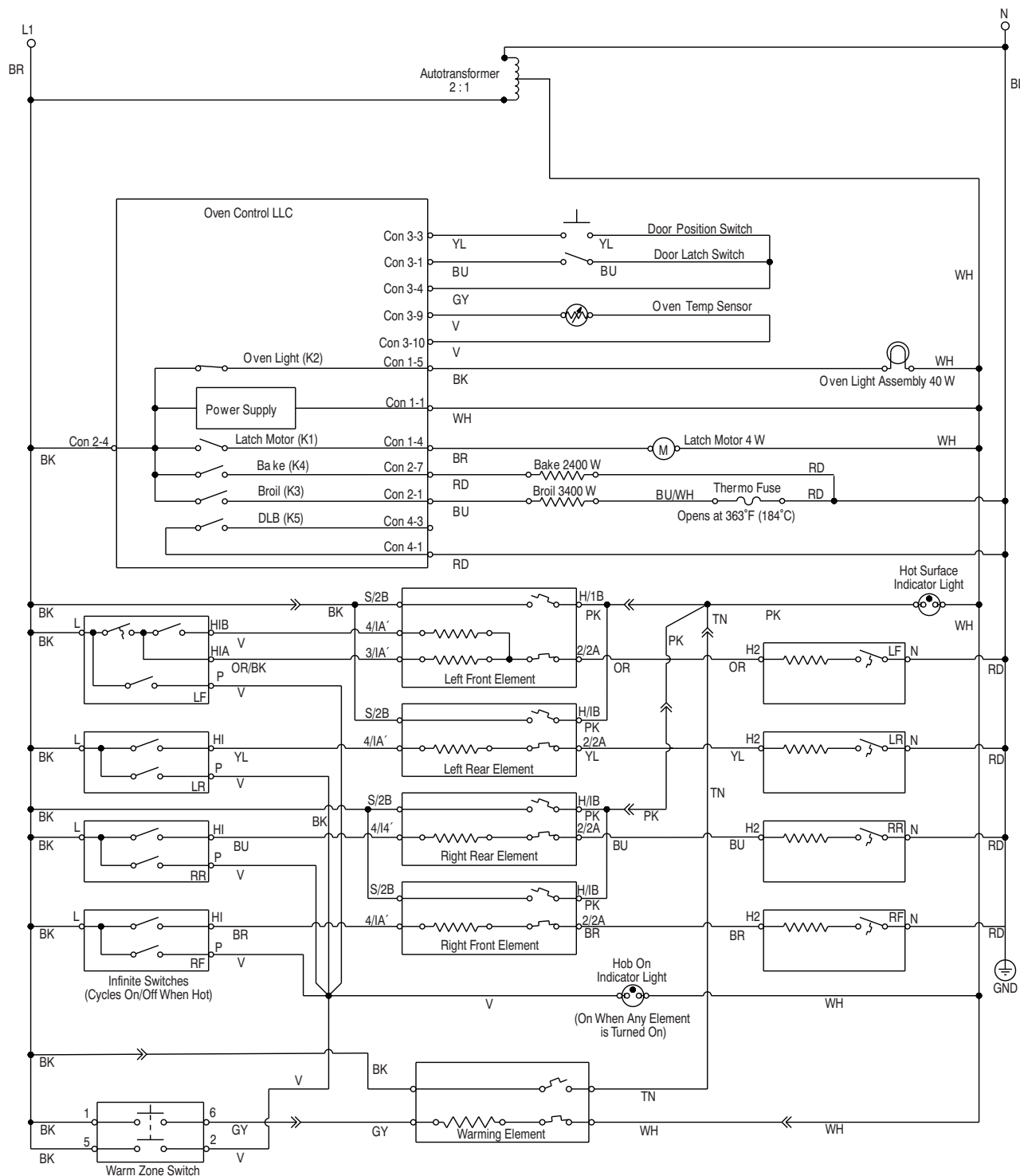
LEGEND

					P1-2 = Connector 1 P1 Position 2	Multiple Functions / Circuitry Enclosed Within
Component Terminals	Connection	No Connection	On Some Models	In Line Connection		

For Service Technician Use Only

Wiring diagram for models 4KAER7685E, 4KMER7685E and 4KWF7685E

NOTE: Schematic shows door latch switch in the cook position with oven door open and elements off. Hob element terminal designators the element supplier. Both options are shown (Example: S/2B may be either S or 2B).

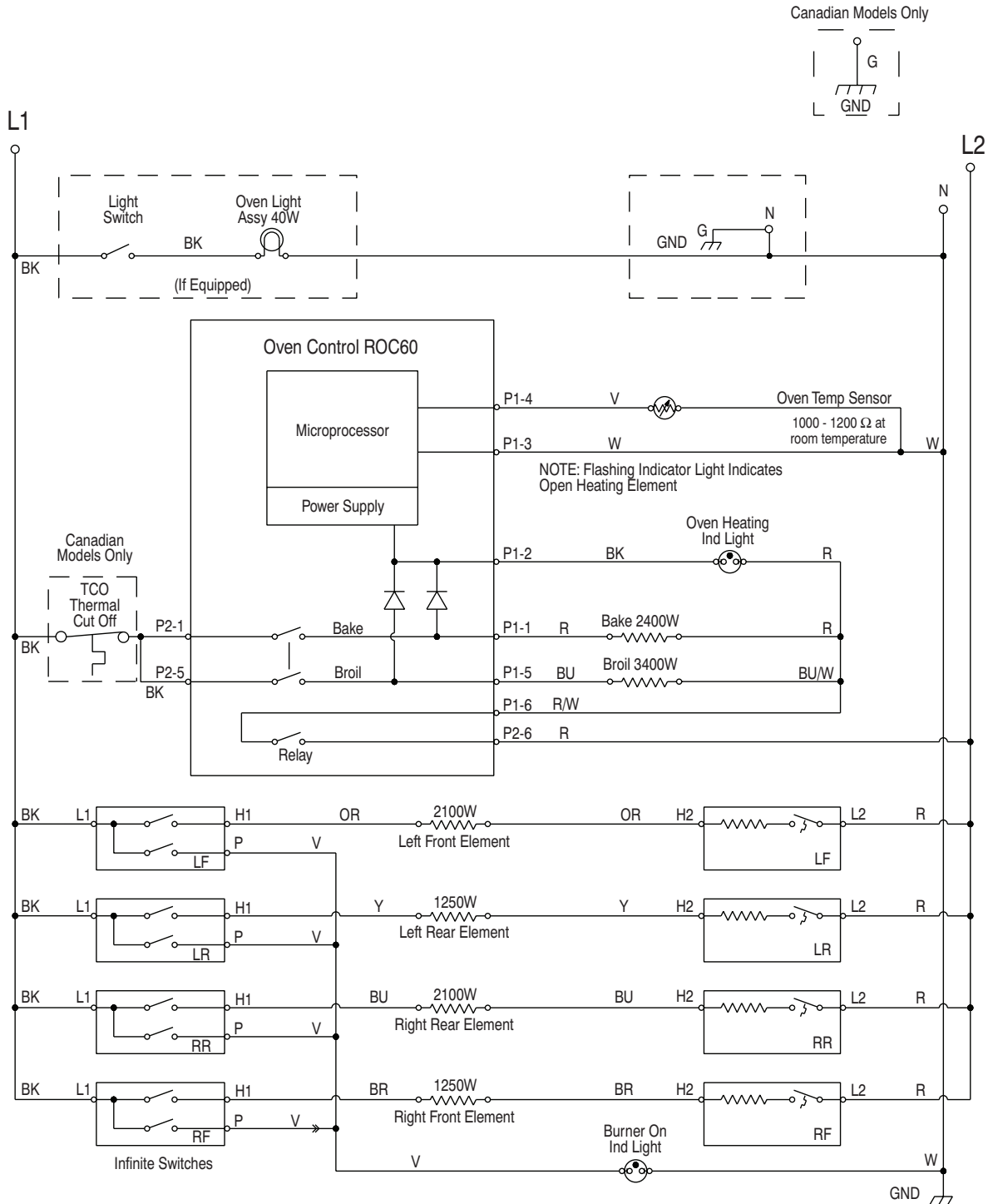


Hob Configuration	Left Front Element	Left Rear Element	Right Rear Element	Right Front Element	Warming Element
I	3000/1900 W	1200 W	1200 W	2500 W	100 W

For Service Technician Use Only

Wiring diagram for models ACR2303MF, ACR3130BA and YACR3230BC

NOTE: Schematic shows door latch switch in the COOK position with oven door open and elements off.



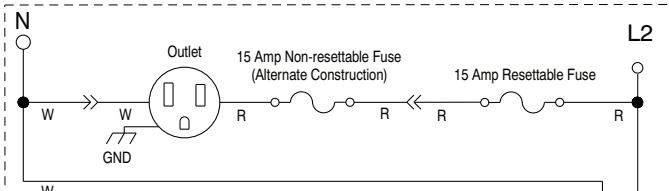
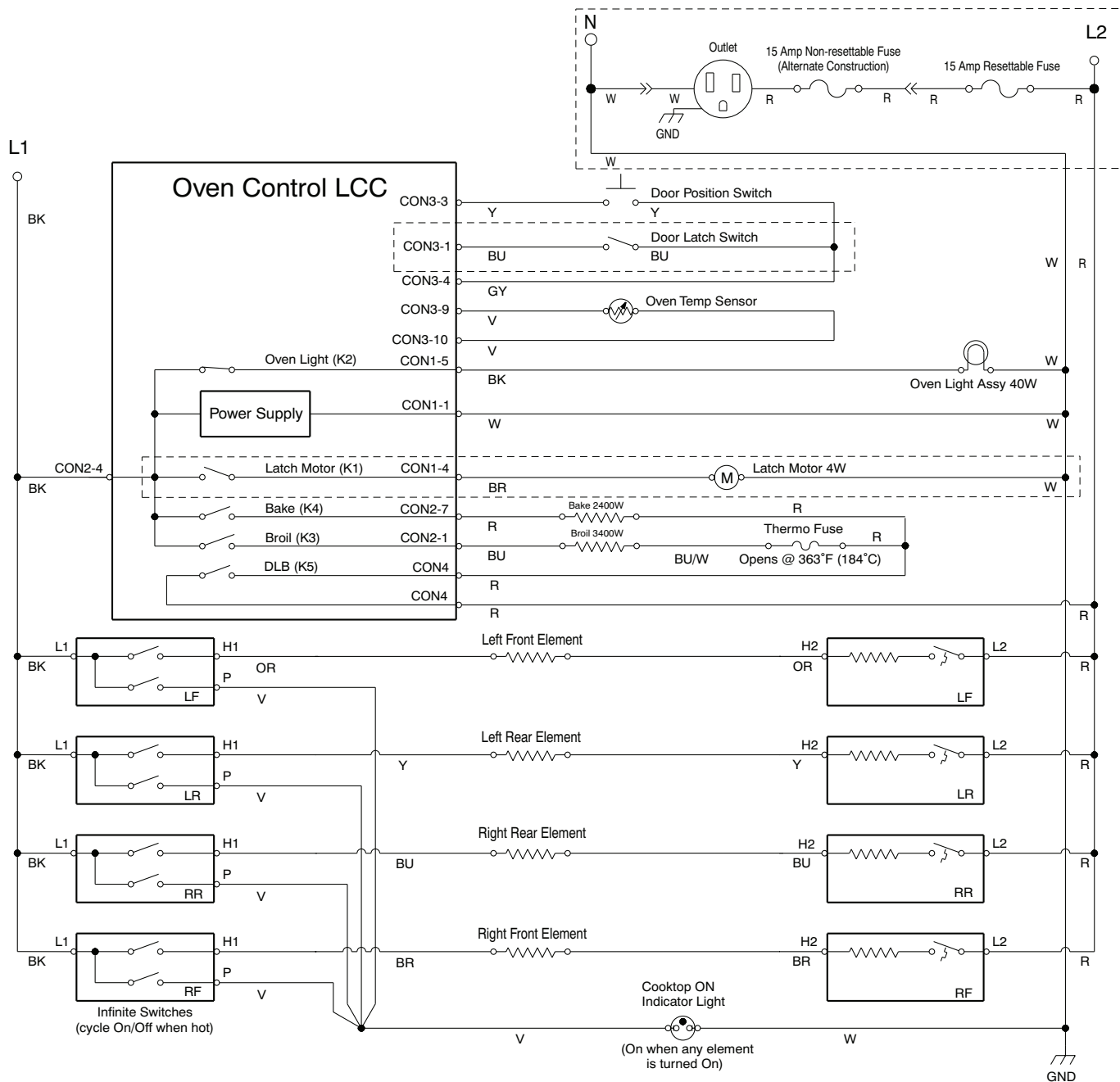
LEGEND

					P1 - 2 = Connector P1 Position 2	Multiple Functions / Circuitry Enclosed Within
Component Terminals	Connection (Splice)	No Connection	On Some Models	In Line Connection		

For Service Technician Use Only

Wiring diagram for models ACR4303ME, ACR4503SE, ACR4530BA, YACR4330BC, WFC130M0E, WFC150M0E, WFC150MLE, WFC310S0E, YWFC150M0E, YWFC310S0B and YWFC310S0E

NOTE: Schematic shows door latch switch in the COOK position with oven door open and elements off.



Coil Cooktop Configuration	Left Front Element	Left Rear Element	Right Rear Element	Right Front Element
1	2600W	1500W	2600W	1500W
2	2100W	1250W	2100W	1250W
3	2100W	1250W	1250W	1250W

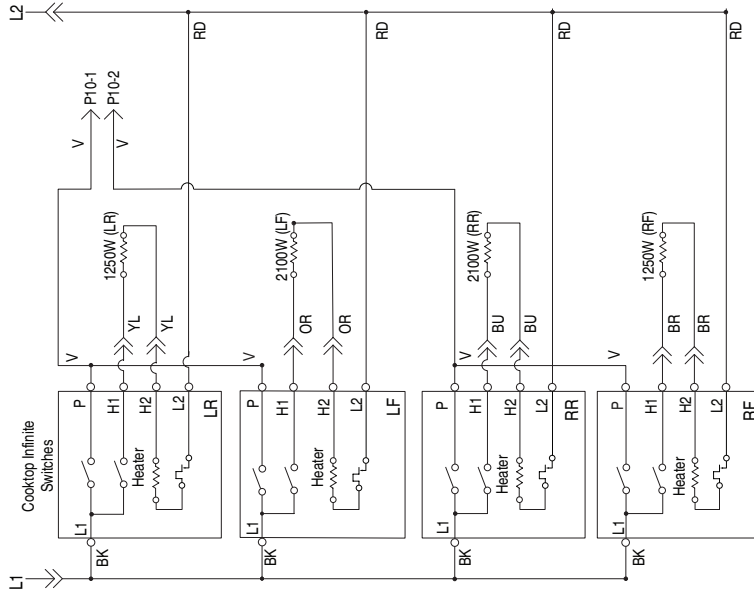
LEGEND

					CON1-2 = Connector 1 CON1 Position 2	Multiple Functions / Circuitry Enclosed Within
--	--	--	--	--	---	--

For Service Technician Use Only

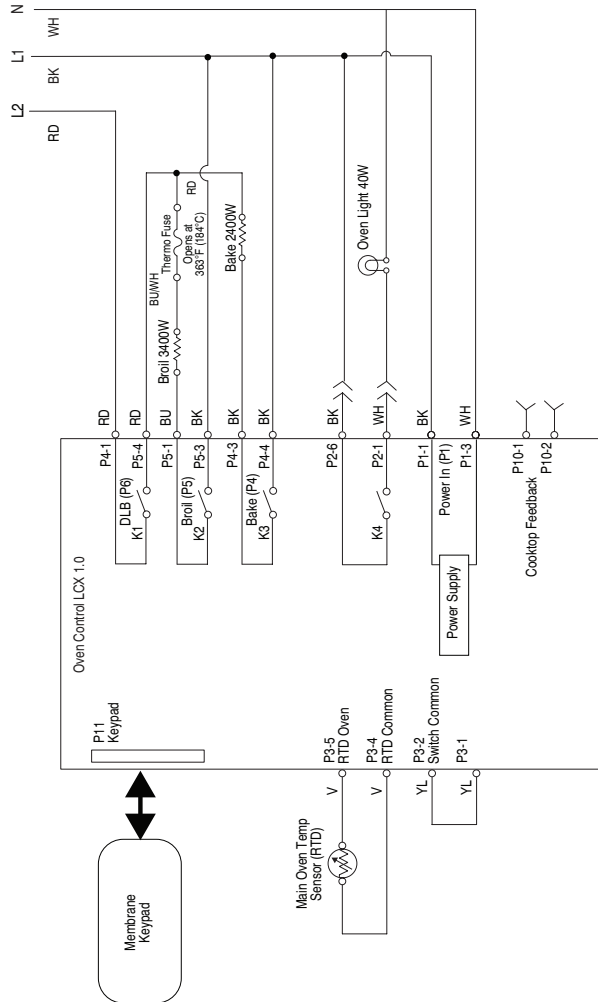
Wiring diagram for models ACR4303MF and YACR4303MF

Cooktop Wiring Diagram



Oven Control Wiring Diagram

NOTE: Schematic shows oven door open and elements off.



LEGEND

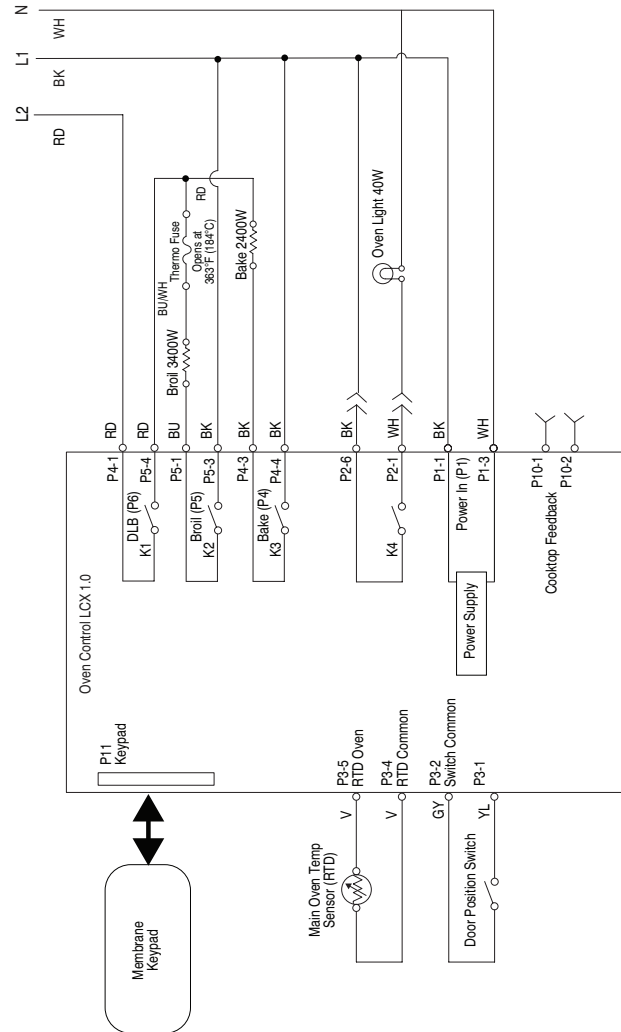
	Connection
	No Connection
	On/Off Switch Models
	In-Line Connection
	Circuitry Enclosed Within
	Terminals
	Single Switch
	Thermal Switch (opens on heat rise)
	Thermal Switch (closes on heat rise)
	Resistor or Element
	Motor
	Incandescent Light
	Non-resettable Fuse
	Thermistor
	Indicator Light
	Triac
	Thermo Fuse

For Service Technician Use Only

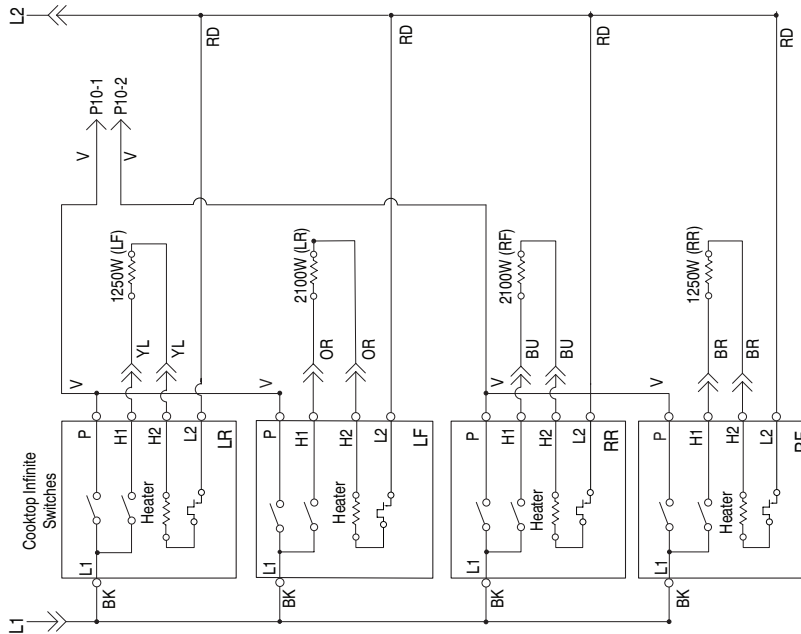
Wiring diagram for models ACS4303MF and YACS4303MF

Oven Control Wiring Diagram

NOTE: Schematic shows oven door open and elements off.



Cooktop Wiring Diagram



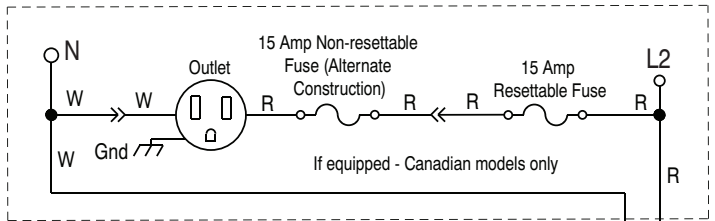
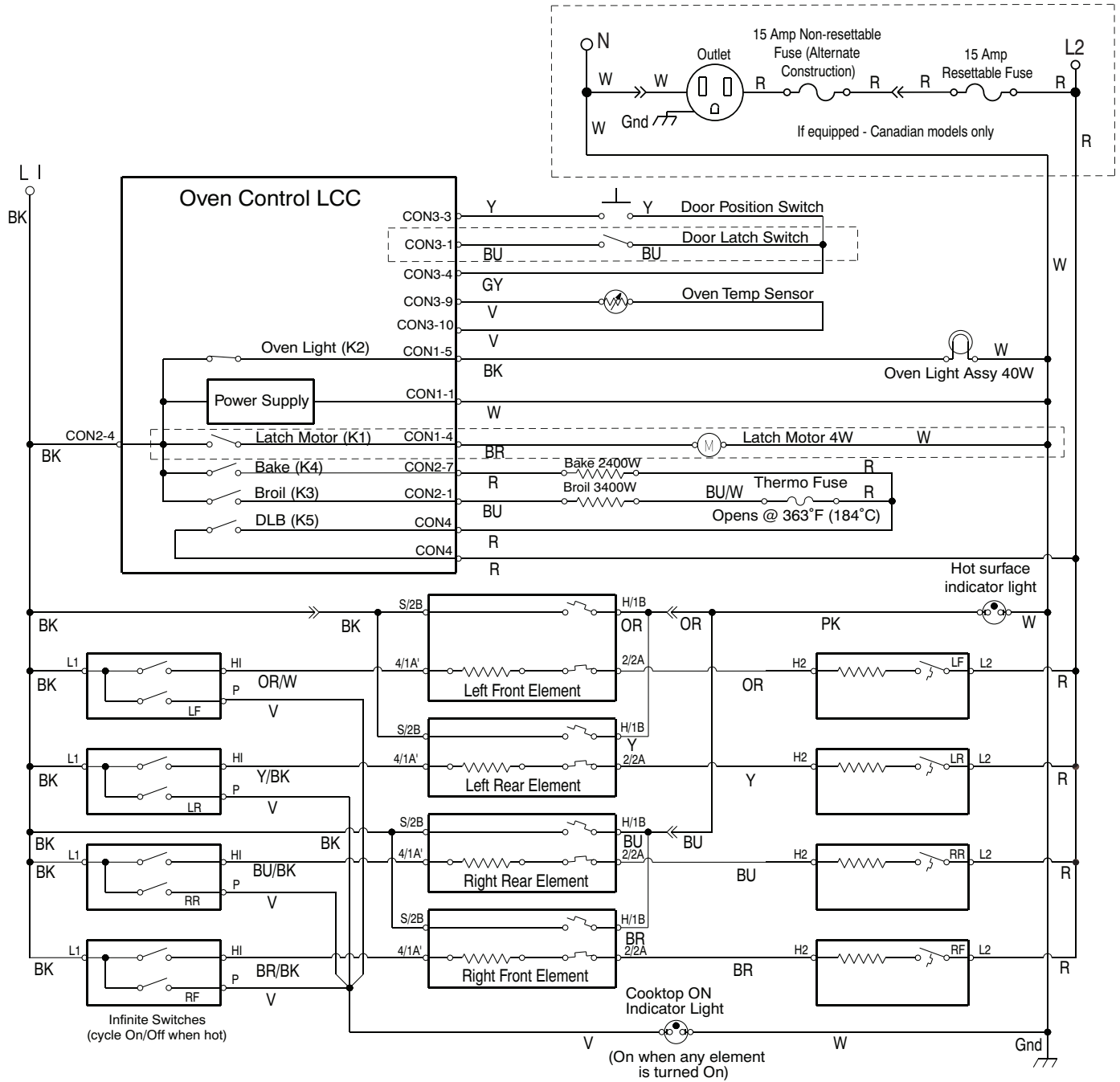
LEGEND

	Connection
	No Connection
	Crossed Models
	In-Line Connection
	P2-1 Connectors P2, Position 1
	Terminals
	Single Switch
	Thermal Switch (opens on heatrise)
	Thermal Switch (closes on heatrise)
	Resistor or Element
	Motor
	Incandescent Light
	Non-resettable Fuse
	Thermistor
	Indicator Light
	Tiac
	Thermo Fuse

For Service Technician Use Only

Wiring diagram for models AER5330BA, IES350X and YWFE330W0E

NOTE: Schematic shows door latch switch in the COOK position with oven door open and elements off. Cooktop element terminal designators may vary with the element supplier. Both options are shown (Example: S/2B may be either S or 2B).



Ceran Cooktop Configuration	Left Front Element	Left Rear Element	Right Rear Element	Right Front Element
1	2500W	1200W	1200W	2500W
2	2000W	1500W	2000W	1500W
3	3000W	1200W	1800W	1200W

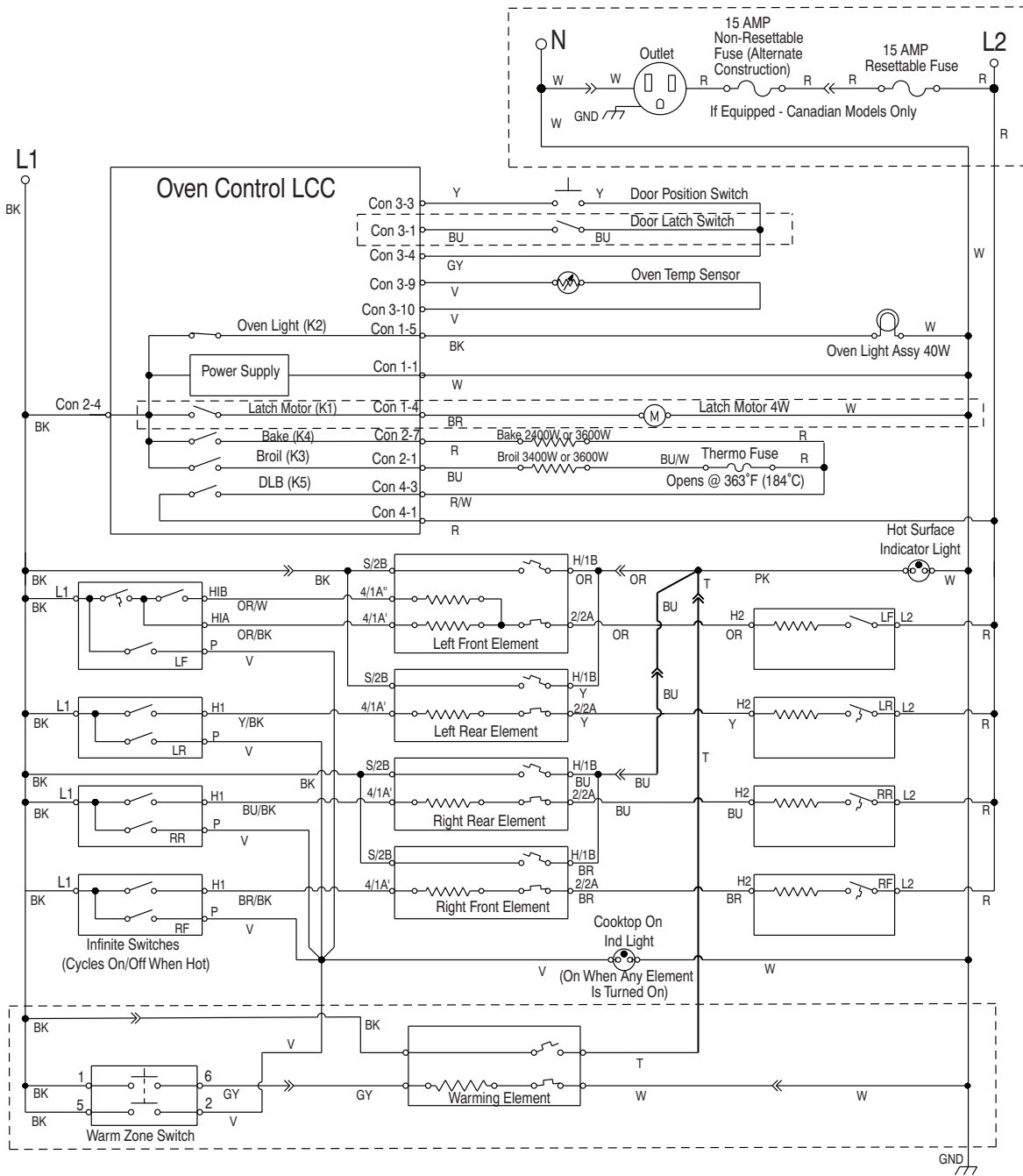
LEGEND

					CON1-2 = Connector 1 CON1 Position 2	Multiple Functions / Circuitry Enclosed Within
--	--	--	--	--	---	--

For Service Technician Use Only

Wiring diagram for models AER5630BA, IES426A, YIES426A, WFE320M0E, WFE510SCE and WFE515S0E

NOTE: Schematic shows door latch switch in the cook position with oven door open and elements off. Cooktop element terminal designators may vary with the element supplier. Both options are shown (Example: S/2B may be either S or 2B).



Coil Cooktop Configuration	Left Front Element	Left Rear Element	Right Rear Element	Right Front Element	Warming Element
1	3000W/1400W	1200W	1800W	1200W	N/A
2	2500W/1200W	1200W	1200W	2500W	N/A
3	3000W/1900W	1200W	1200W	2500W	100W

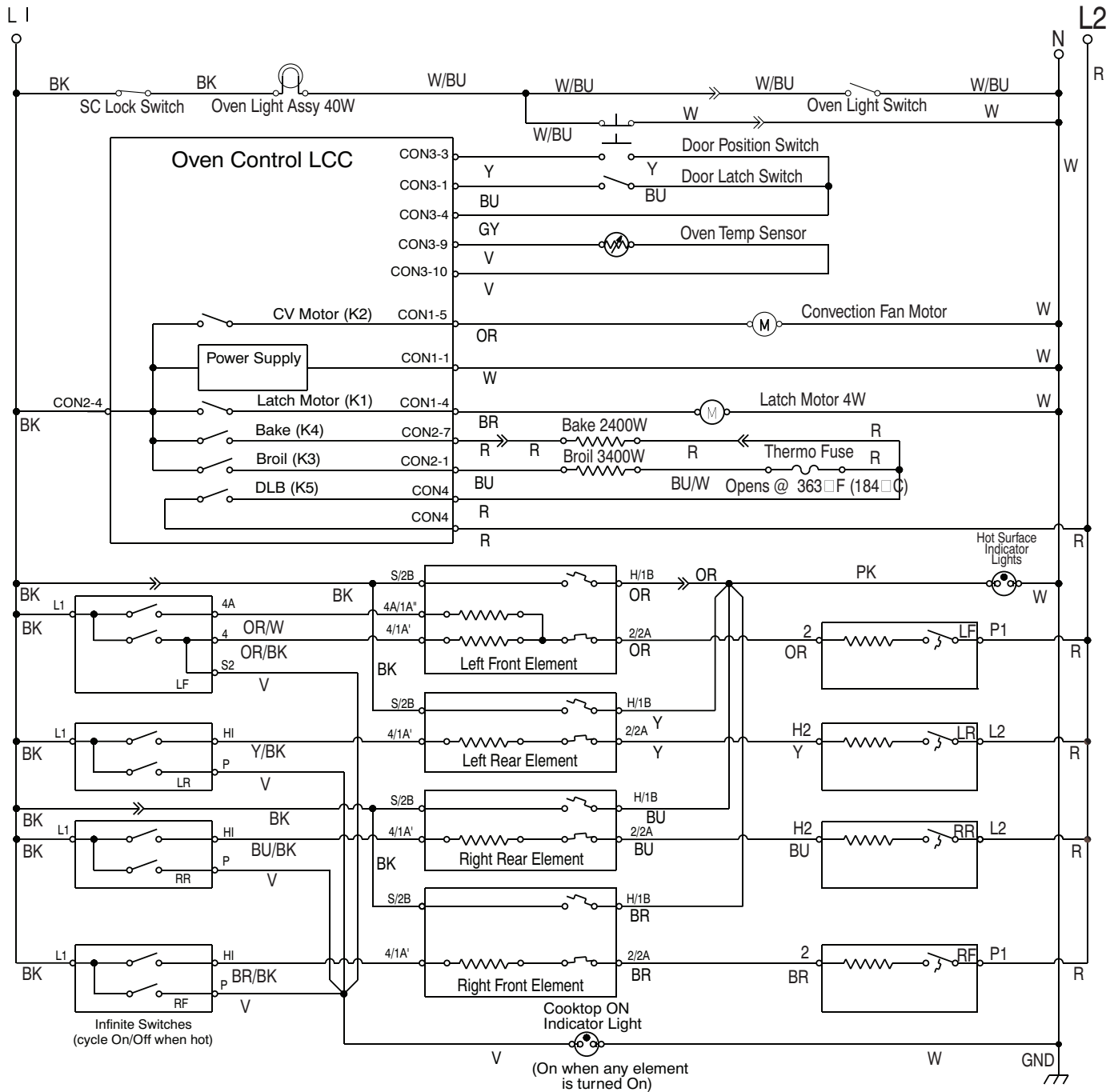
LEGEND

					CON1-2 = Connector 1 CON1 Position 2	Multiple Functions / Circuitry Enclosed Within
--	--	--	--	--	---	--

For Service Technician Use Only

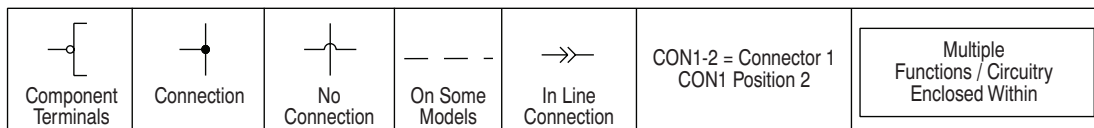
Wiring diagram for model AER6011VA

NOTE: Schematic shows door latch switch in the COOK position with oven door open and elements off. Cooktop element terminal designators may vary with the element supplier. Both options are shown (Example: S/2B may be either S or 2B).



Ceran Cooktop Configuration	Left Front Element	Left Rear Element	Right Rear Element	Right Front Element
1	2500W/1200W	1200W	1200W	2500W

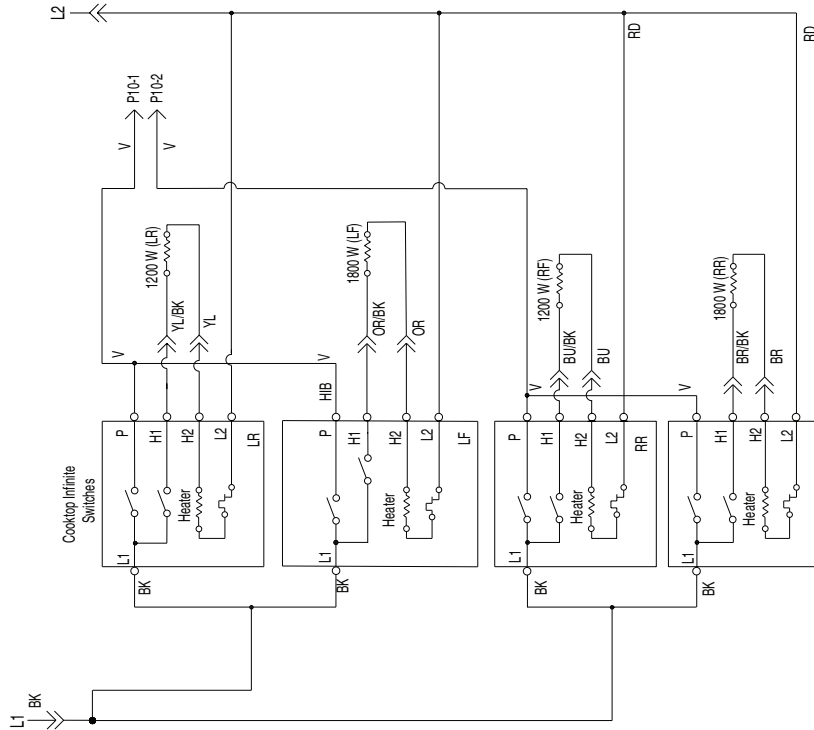
LEGEND



For Service Technician Use Only

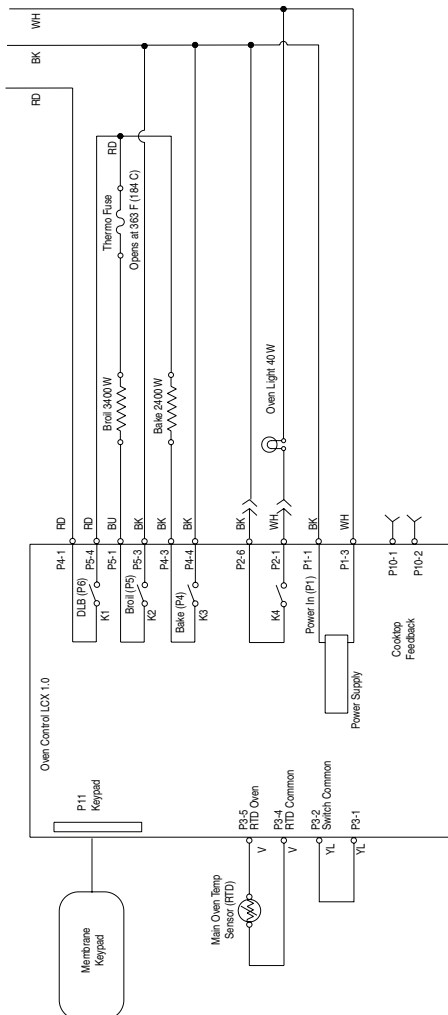
Wiring diagram for models AER6303MF and YAER6303MF

Cooktop Wiring Diagram



Oven Control Wiring Diagram

NOTE: Schematic shows elements off.



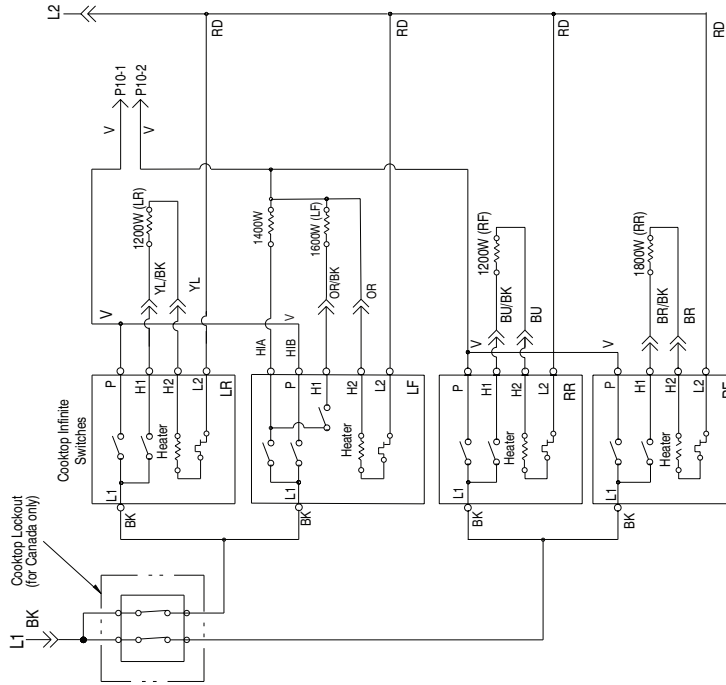
LEGEND

	Connection
	No Connection
	On Some Models
	In-Line Connection
	Terminals
	Single Switch
	Thermal Switch (opens on heat rise)
	Thermal Switch (closes on heat rise)
	Resistor or Element
	Motor
	Incandescent Light
	Non-resettable Fuse
	Thermistor
	Indicator Light
	Triac
	Thermo Fuse

For Service Technician Use Only

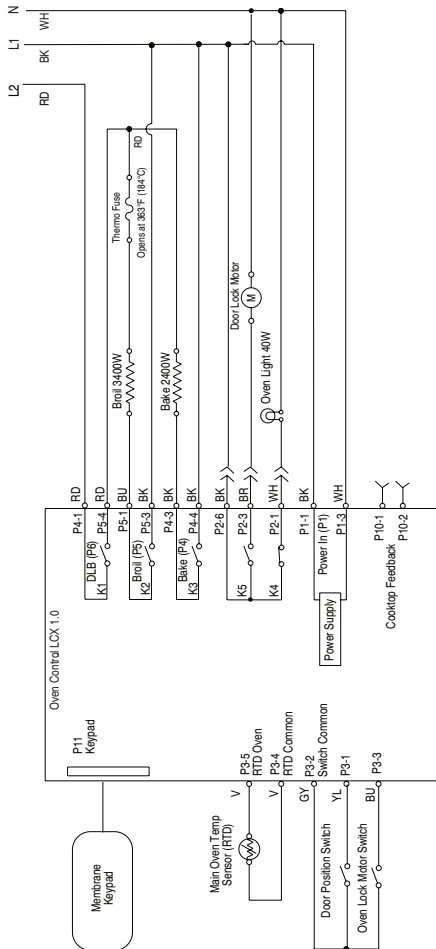
Wiring diagram for models AER6603SF and YAER6603SF

Cooktop Wiring Diagram



Oven Control Wiring Diagram

NOTE: Schematic shows oven door open and elements off.



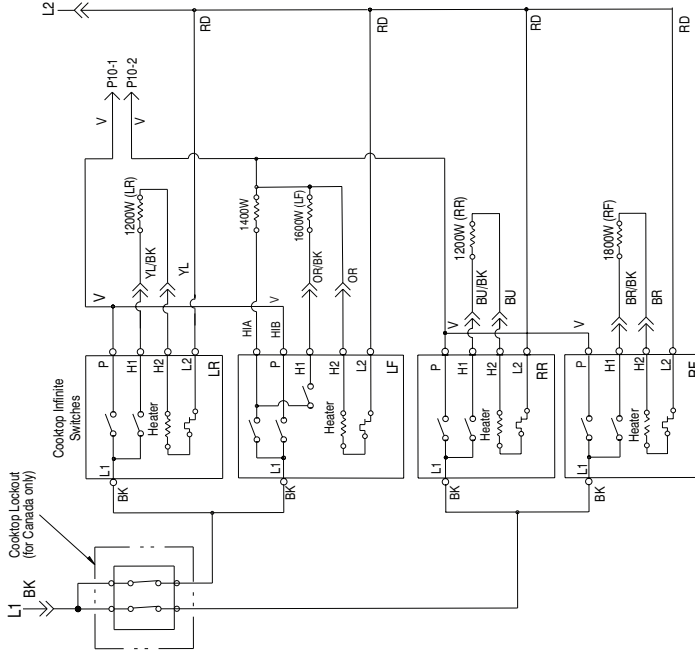
LEGEND

	Connection
	No Connection
	On Some Models
	In-Line Connection
	Terminals
	Single Switch
	Thermal Switch (opens on heat rise)
	Thermal Switch (closes on heat rise)
	Resistor or Element
	Motor
	Incandescent Light
	Non-resettable Fuse
	Thermistor
	Indicator Light
	Triac
	Thermo Fuse

For Service Technician Use Only

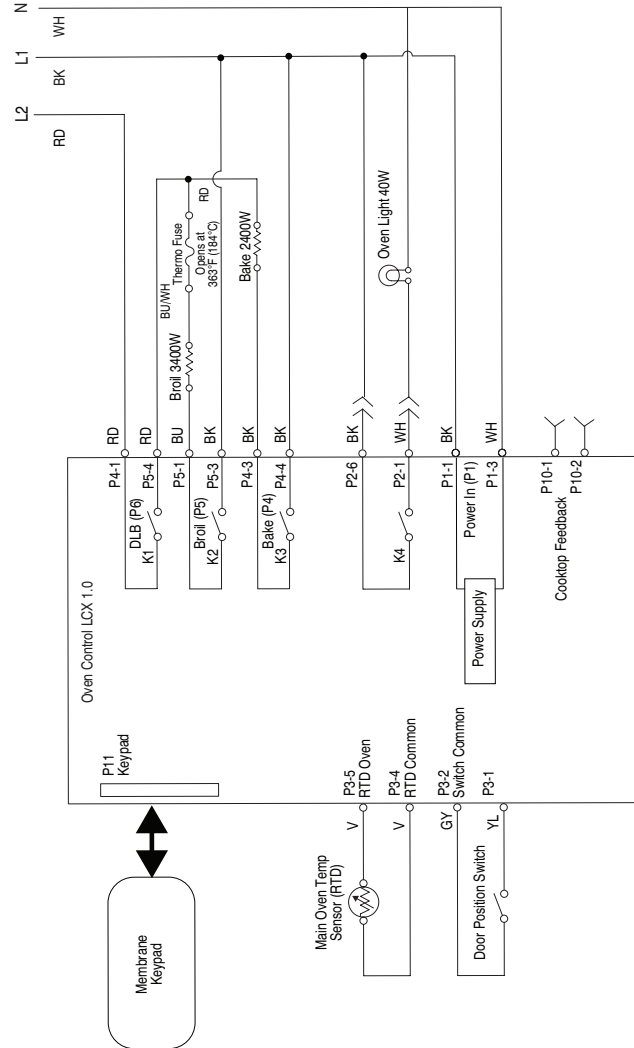
Wiring diagram for models AES6603SF and YAES6603SF

Cooktop Wiring Diagram



Oven Control Wiring Diagram

NOTE: Schematic shows oven door open and elements off.



LEGEND

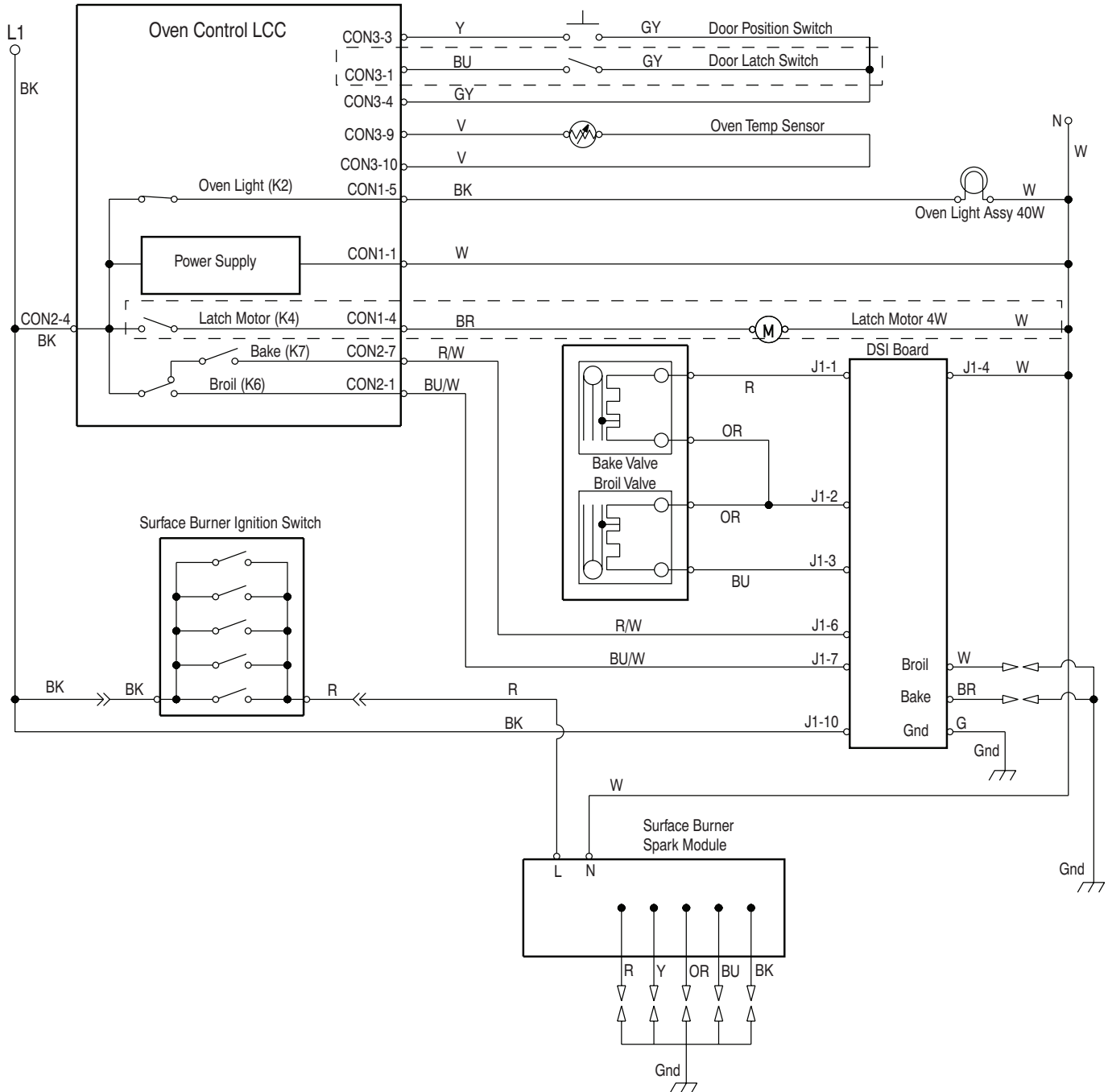
	Connection
	No Connection
	On Some Models
	In Line Connection
	Circuitry Enclosed Within
	Terminals
	Single Switch
	Thermal Switch (opens on heat/rise)
	Thermal Switch (closes on heat/rise)
	Resistor or Element
	Motor
	Incandescent Light
	Non-rewirable Fuse
	Thermistor
	Indicator Light
	Tieac
	Thermo Fuse

For Service Technician Use Only

Wiring diagram for models AGR5630BD, IGS426A, WFG515S0E, WFG530S0E and WFG534SLE

NOTE: Schematic shows door latch switch in the COOK position with oven door open and elements off.

Caution: Label all wires prior to disconnection when servicing controls. Wiring errors can cause improper and dangerous operation. Verify proper operation after servicing.



LEGEND

					CON1-2 = Connector 1 CON1 Position 2	Multiple Functions / Circuitry Enclosed Within
--	--	--	--	--	---	--

For Service Technician Use Only

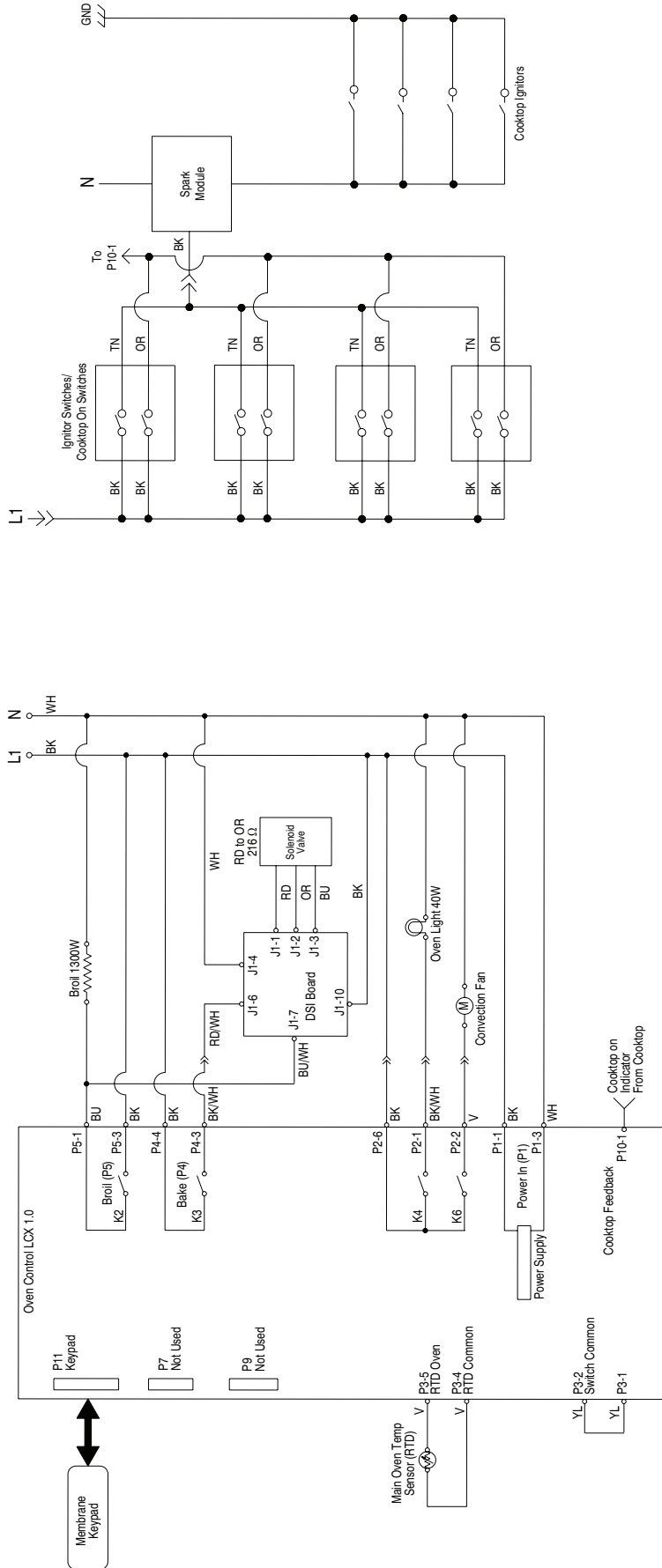
Wiring diagram for model AGR6303MF

Cooktop Wiring Diagram

Oven Control Wiring Diagram

NOTE: Schematic shows elements off.

Caution: Label all wires prior to disconnection when servicing controls. Wiring errors can cause improper and dangerous operation. Verify proper operation after servicing.



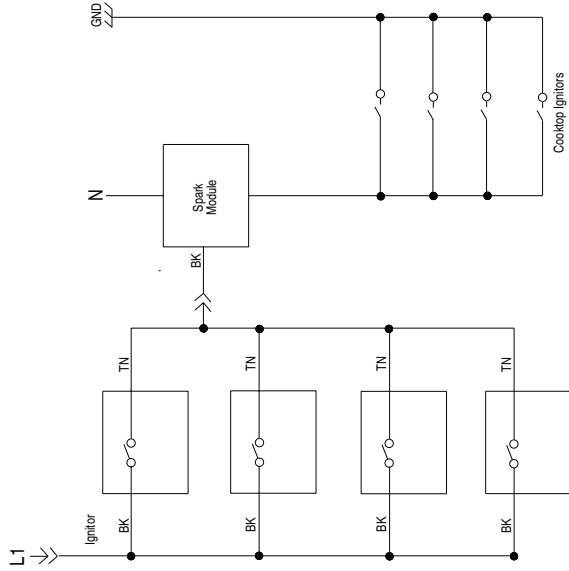
LEGEND

	Connection
	No Connection
	On Some Models
	In-Line Connection
	Terminals
	Single Switch
	Thermal Switch (opens on heat rise)
	Thermal Switch (closes on heat rise)
	Resistor or Element
	Motor
	Incandescent Light
	Non-resettable Fuse
	Thermistor
	Indicator Light
	Triac
	Thermo Fuse

For Service Technician Use Only

Wiring diagram for model AGR6603SF

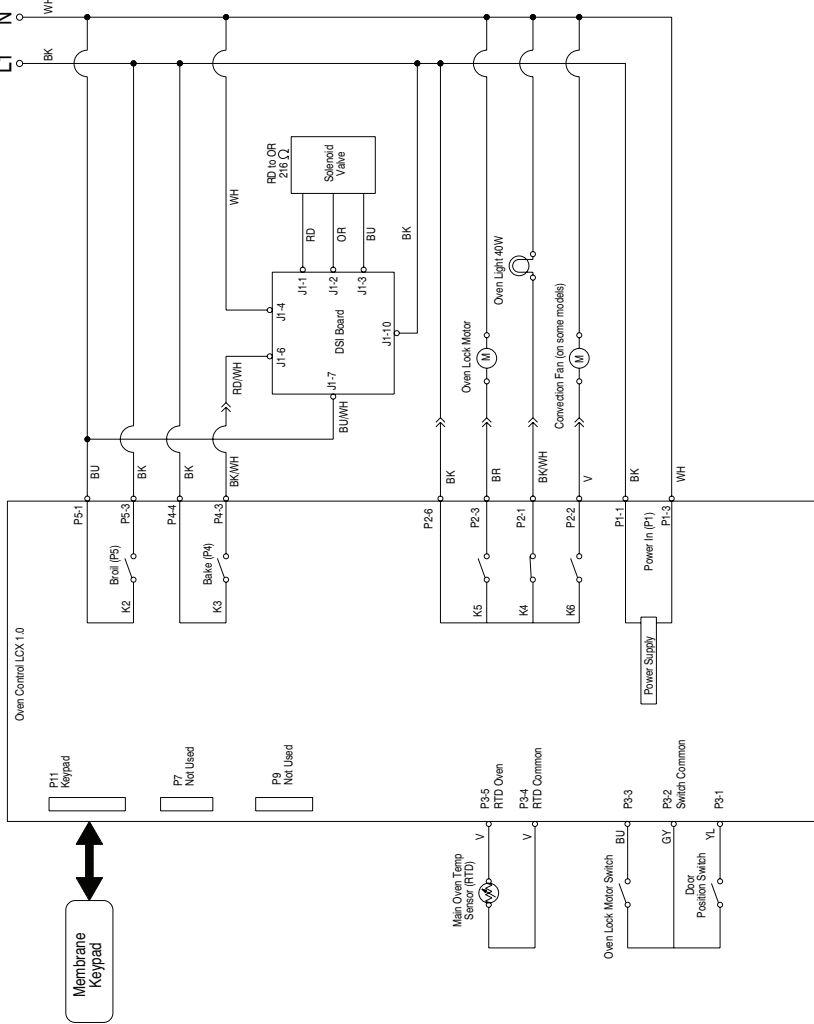
Cooktop Wiring Diagram



Oven Control Wiring Diagram

NOTE: Schematic shows oven door open and elements off.

Caution: Label all wires prior to disconnection when servicing controls. Wiring errors can cause improper and dangerous operation. Verify proper operation after servicing.



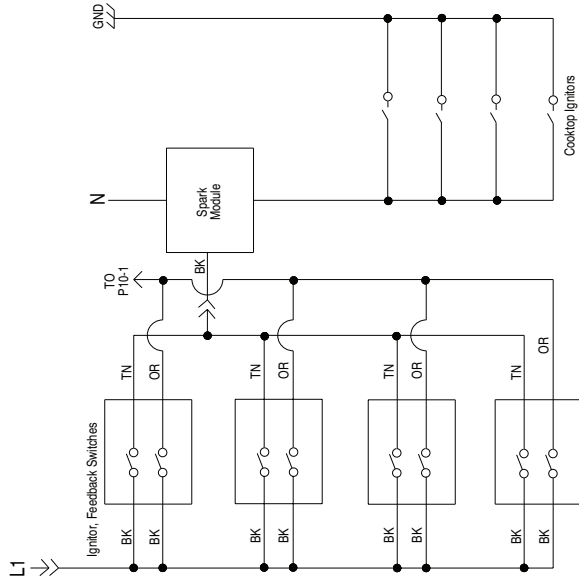
LEGEND

	Connection
	No Connection
	On Some Models
	In-Line Connection
	Circuitry Enclosed Within
	Terminals
	Single Switch
	Thermal Switch (opens on heat rise)
	Thermal Switch (closes on heat rise)
	Resistor or Element
	Motor
	Incandescent Light
	Non-resettable Fuse
	Thermistor
	Indicator Light
	Triac
	Thermo Fuse

For Service Technician Use Only

Wiring diagram for models AGS6603SF and WEG515S0F

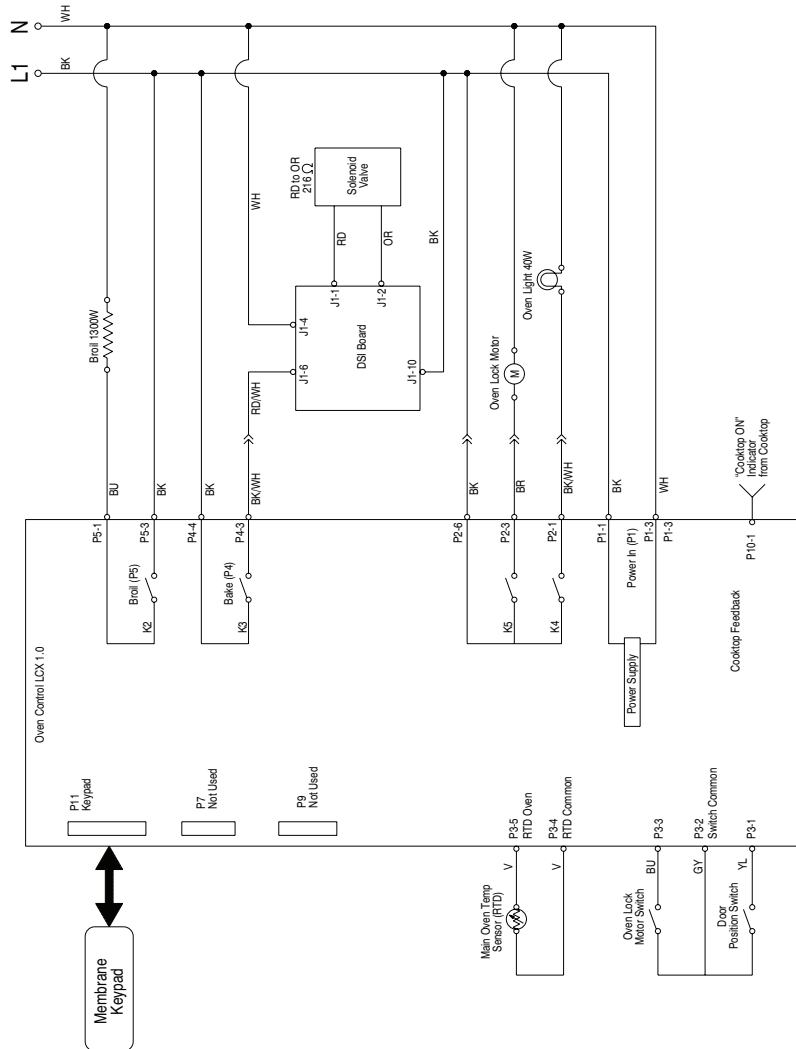
Cooktop Wiring Diagram



Oven Control Wiring Diagram

NOTE: Schematic shows oven door open and elements off.

Caution: Label all wires prior to disconnection when servicing controls. Wiring errors can cause improper and dangerous operation. Verify proper operation after servicing.



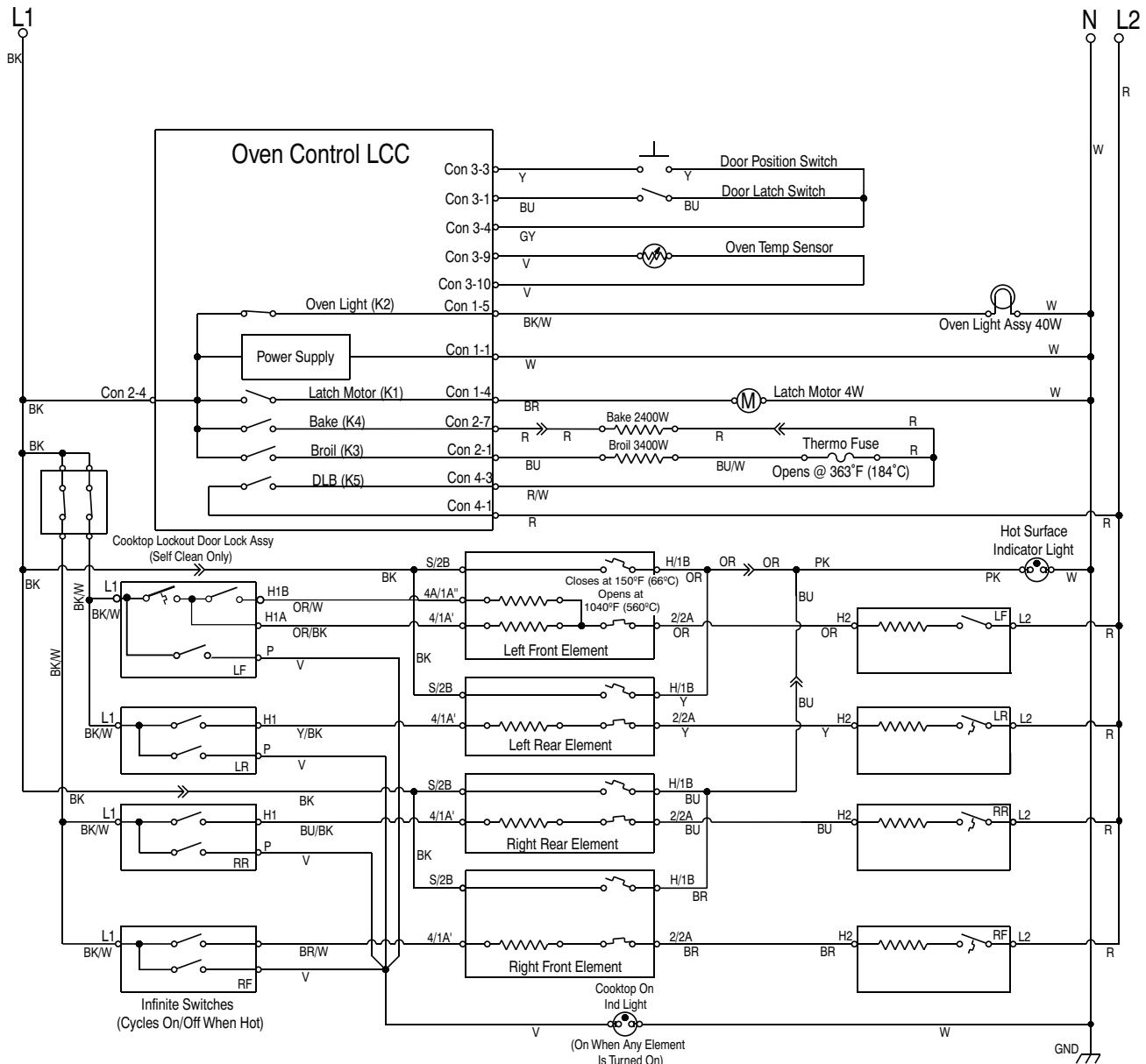
LEGEND

	Connection		Terminals		Single Switch		Thermal Switch (opens on heat rise)		Resistor or Element		Motor		Incandescent Light		Non-resettable Fuse		Thermistor		Indicator Light		Tilac		Thermo Fuse
--	------------	--	-----------	--	---------------	--	-------------------------------------	--	---------------------	--	-------	--	--------------------	--	---------------------	--	------------	--	-----------------	--	-------	--	-------------

For Service Technician Use Only

Wiring diagram for model YAER5630BE

NOTE: Schematic shows door latch switch in the cook position with oven door open and elements off. Cooktop element terminal designators may vary with the element supplier. Both options are shown (Example: S/2B may be either S or 2B).



Ceran Cooktop Configuration	Left Front Element	Left Rear Element	Right Rear Element	Right Front Element
1	3000W/1400W	1200W	1800W	1200W
2	2500W/1200W	1200W	1200W	2500W

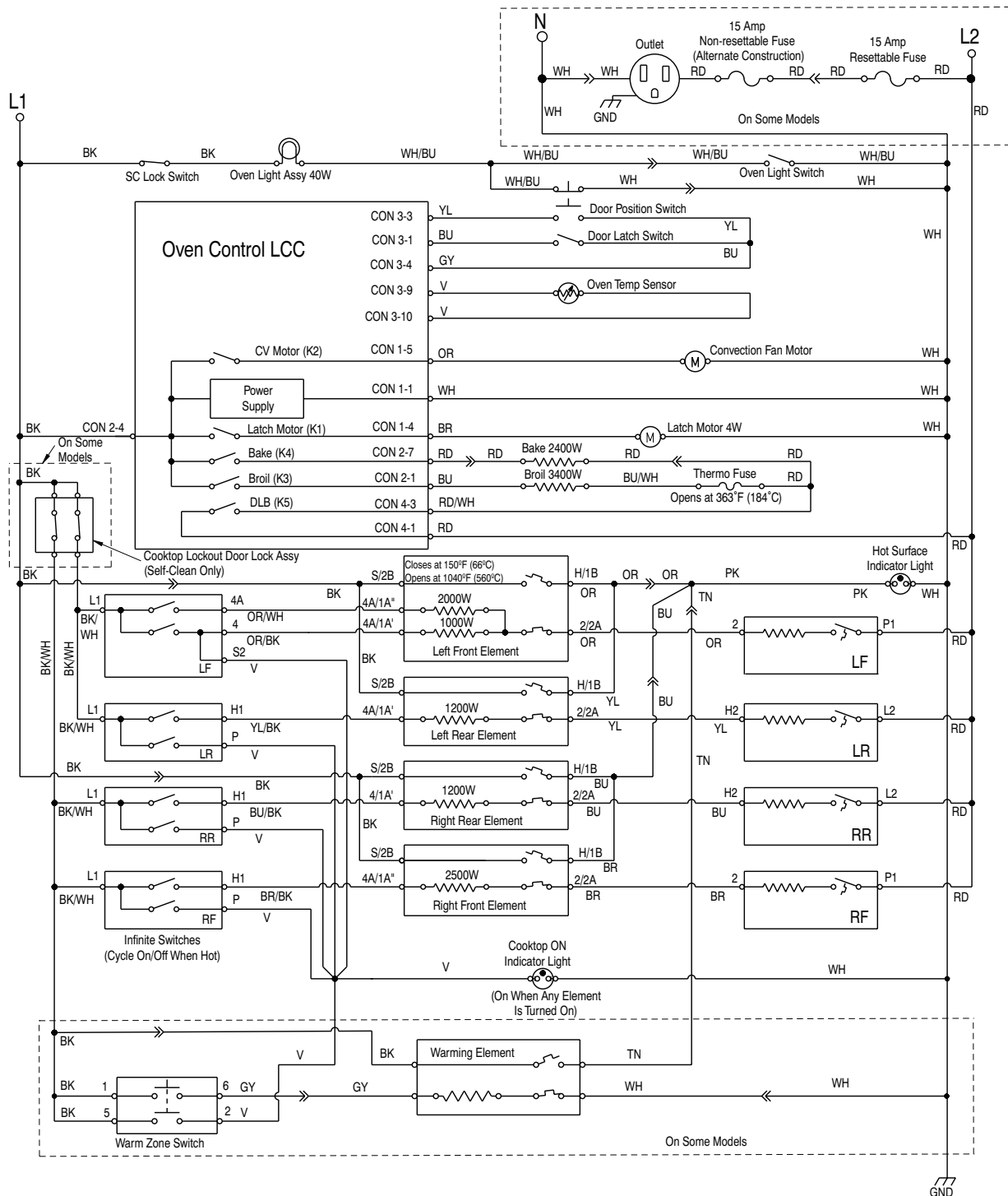
LEGEND

					CON1-2 = Connector 1 CON1 Position 2	Multiple Functions / Circuitry Enclosed Within
--	--	--	--	--	---	--

For Service Technician Use Only

Wiring diagram for models IES505D and YIES505D

NOTE: Schematic shows door latch switch in the COOK position with oven door open and elements off. Cooktop element terminal designators may vary with the supplier. Both options are shown (Example: S/2B may be either S or 2B).



LEGEND

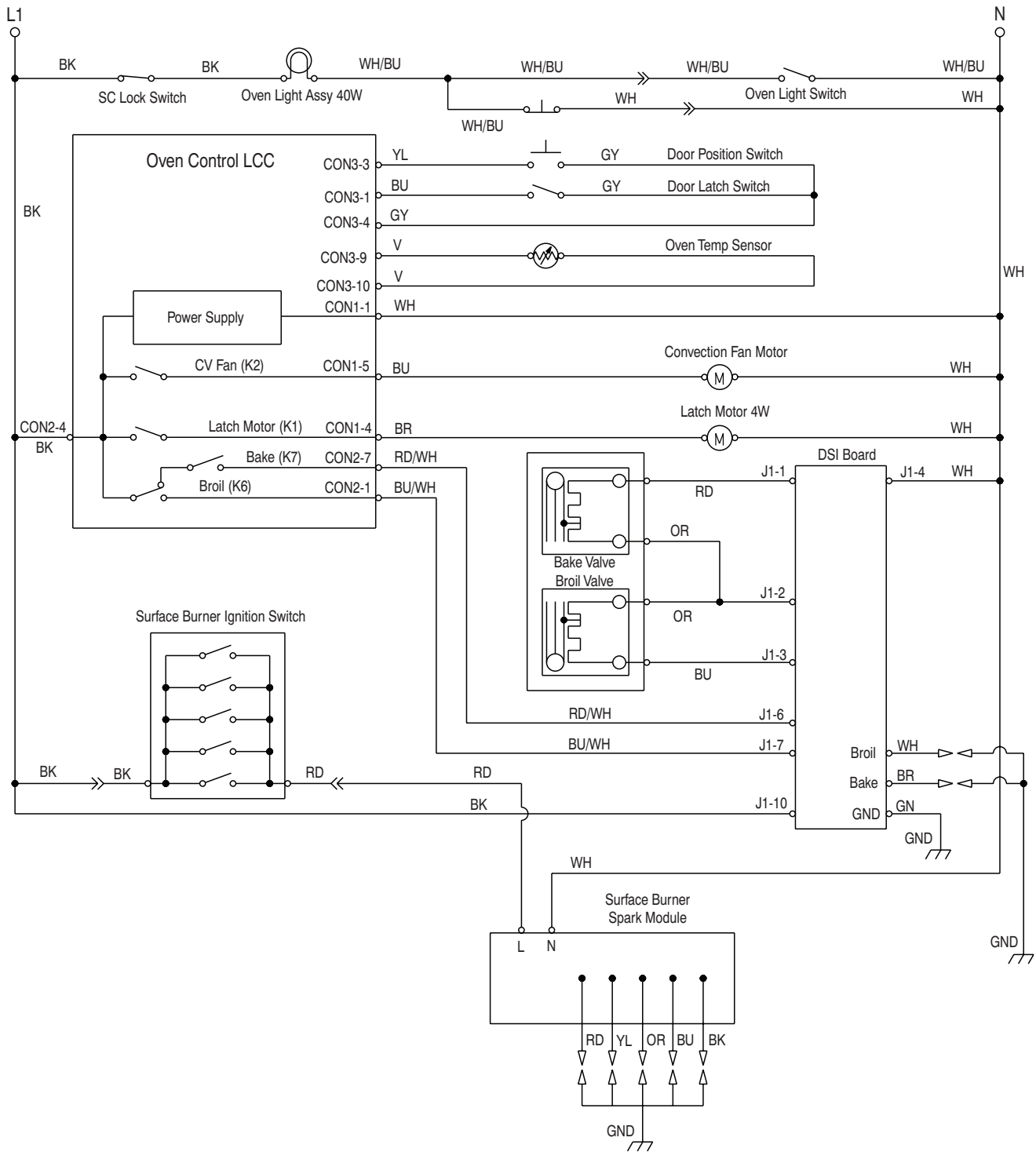
					CON1-2 = Connector 1 CON1 Position 2	Multiple Functions / Circuitry Enclosed Within
--	--	--	--	--	---	--

For Service Technician Use Only

Wiring diagram for model IGS505D

NOTE: Schematic shows door latch switch in the COOK position with oven door open and elements off.

Caution: Label all wires prior to disconnection when servicing controls. Wiring errors can cause improper and dangerous operation. Verify proper operation after servicing.



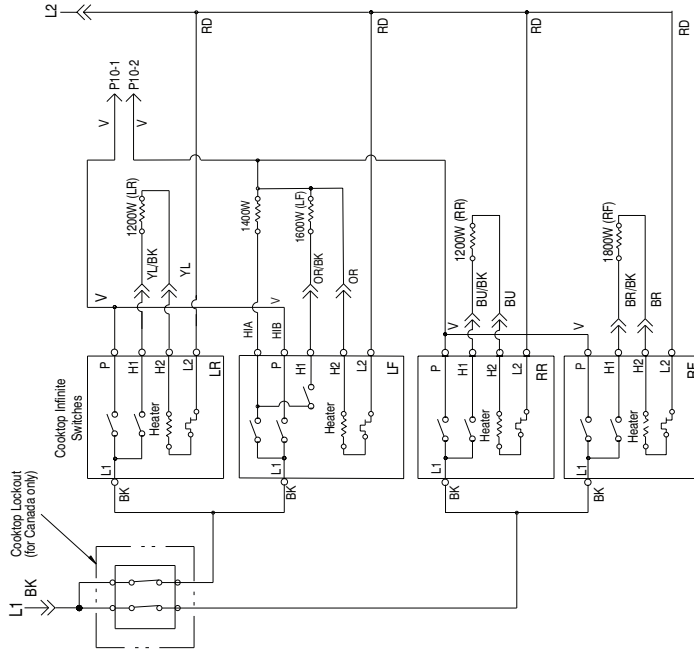
LEGEND

					CON1-2 = Connector 1 CON1 Position 2	Multiple Functions / Circuitry Enclosed Within
Component Terminals	Connection	No Connection	On Some Models	In Line Connection		

For Service Technician Use Only

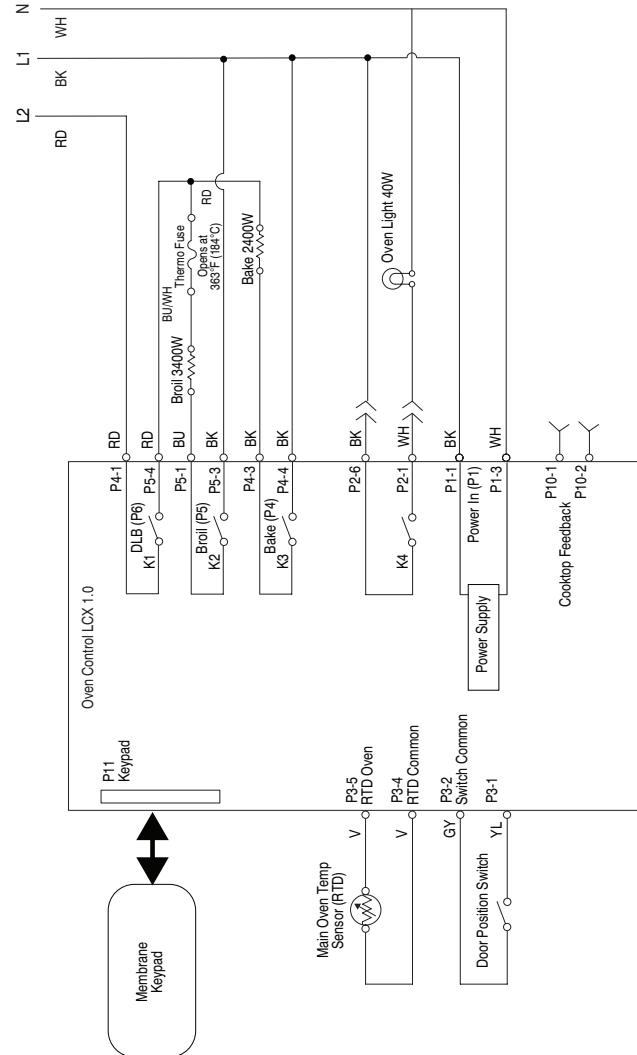
Wiring diagram for model YIEL530F

Cooktop Wiring Diagram



Oven Control Wiring Diagram

NOTE: Schematic shows oven door open and elements off.



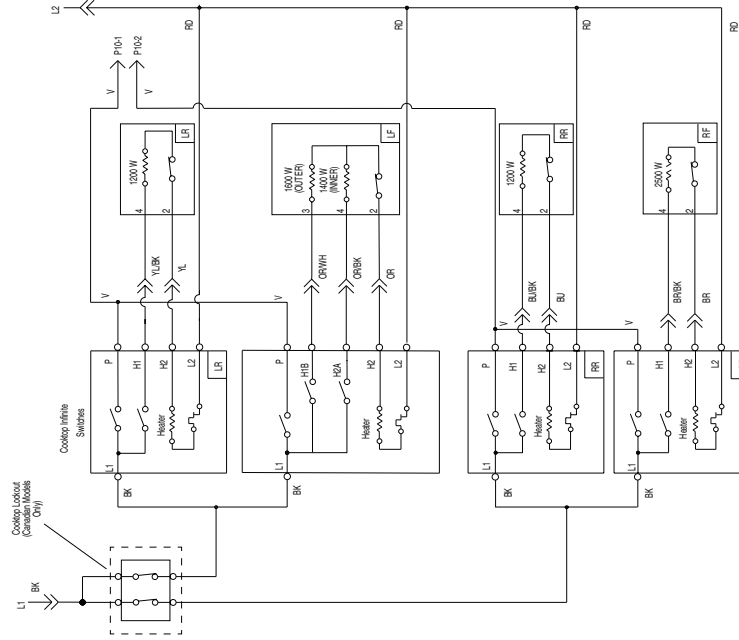
LEGEND

	Connection		No Connection		On Some Modes		In Line Connection		Circuitry Enclosed/Within		Terminals		Single Switch		Thermal Switch (opens on heat/rise)		Thermal Switch (closes on heat/rise)		Resistor or Element		Motor		Incandescent Light		Non-resettable Fuse		Thermistor		Indicator Light		Tiac		Thermo Fuse
--	------------	--	---------------	--	---------------	--	--------------------	--	---------------------------	--	-----------	--	---------------	--	-------------------------------------	--	--------------------------------------	--	---------------------	--	-------	--	--------------------	--	---------------------	--	------------	--	-----------------	--	------	--	-------------

For Service Technician Use Only

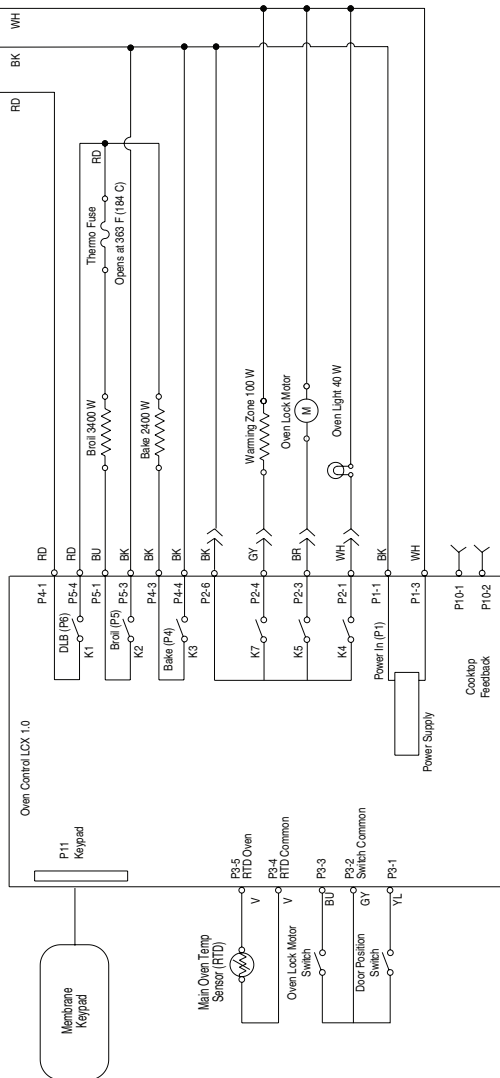
Wiring diagram for models MER6600F and YMER6600F

Cooktop Wiring Diagram



Oven Control Wiring Diagram

NOTE: Schematic shows oven door open and elements off.



LEGEND

	Connection
	No Connection
	On Some Models
	In-Line Connection
	Circuitry Enclosed Within
	Terminals
	Single Switch
	Thermal Switch (opens on heat rise)
	Thermal Switch (closes on heat rise)
	Resistor or Element
	Motor
	Incandescent Light
	Non-resettable Fuse
	Thermistor
	Indicator Light
	Triac
	Thermo Fuse

For Service Technician Use Only

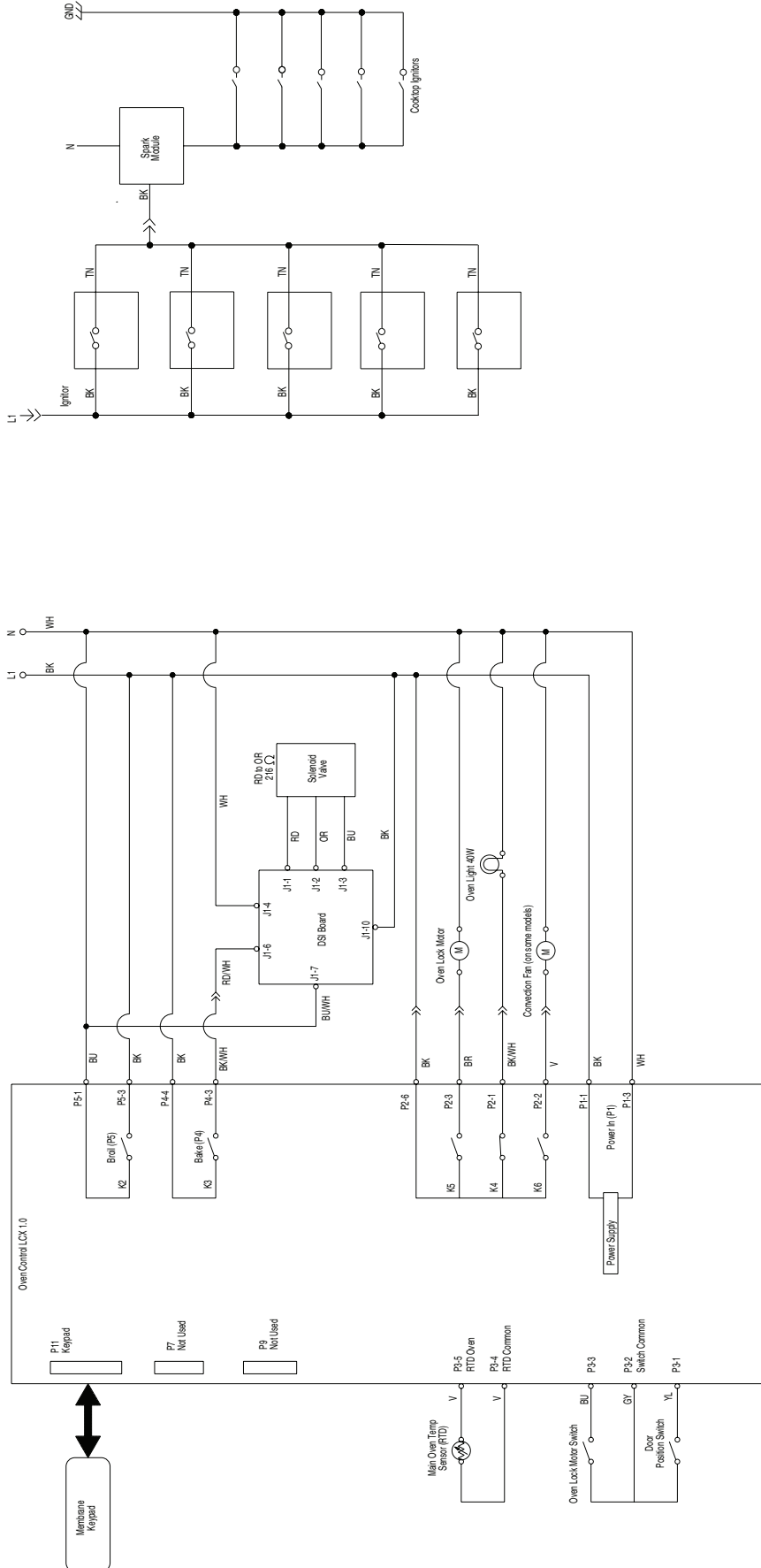
Wiring diagram for model MGR6600F

Oven Control Wiring Diagram

Cooktop Wiring Diagram

NOTE: Schematic shows oven door open and elements off.

Caution: Label all wires prior to disconnection when servicing controls. Wiring errors can cause improper and dangerous operation. Verify proper operation after servicing.



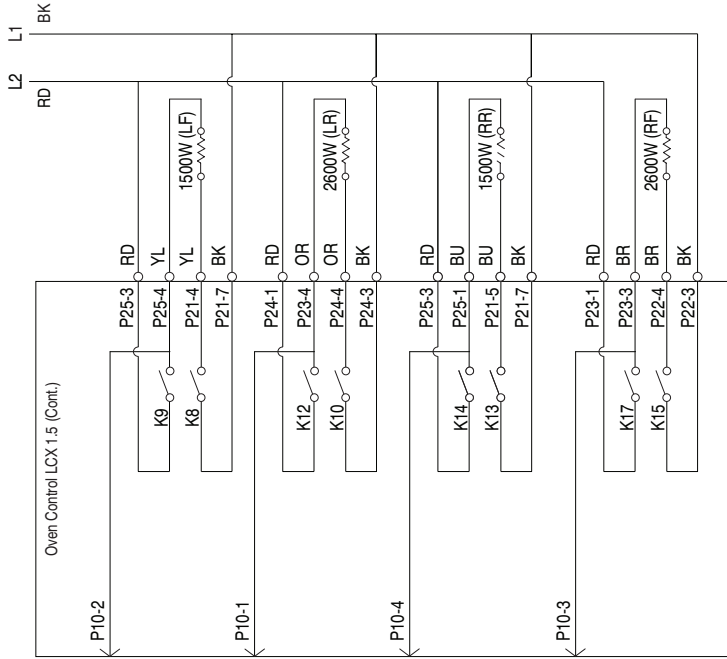
LEGEND

+	Connection
⊢	No Connection
⊢	On Some Models
⊢	In-Line Connection
⊢	P2-1 Connector P2, Position 1
⊢	Circuitry Enclosed Within
○	Terminals
⊢	Single Switch
⊢	Thermal Switch (opens on heat rise)
⊢	Thermal Switch (closes on heat rise)
⊢	Resistor or Element
⊢	Motor
⊢	Incandescent Light
⊢	Non-resettable Fuse
⊢	Thermistor
⊢	Indicator Light
⊢	Triac
⊢	Thermo Fuse

For Service Technician Use Only

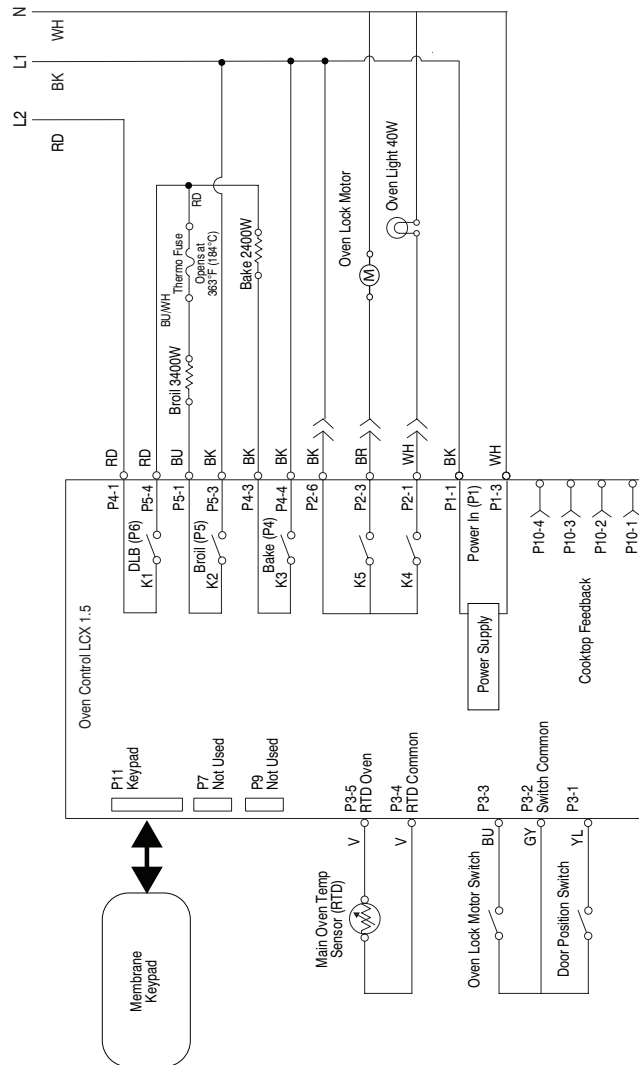
Wiring diagram for model WEC310S0F

Cooktop Wiring Diagram



Oven Control Wiring Diagram

NOTE: Schematic shows oven door open and elements off.



LEGEND

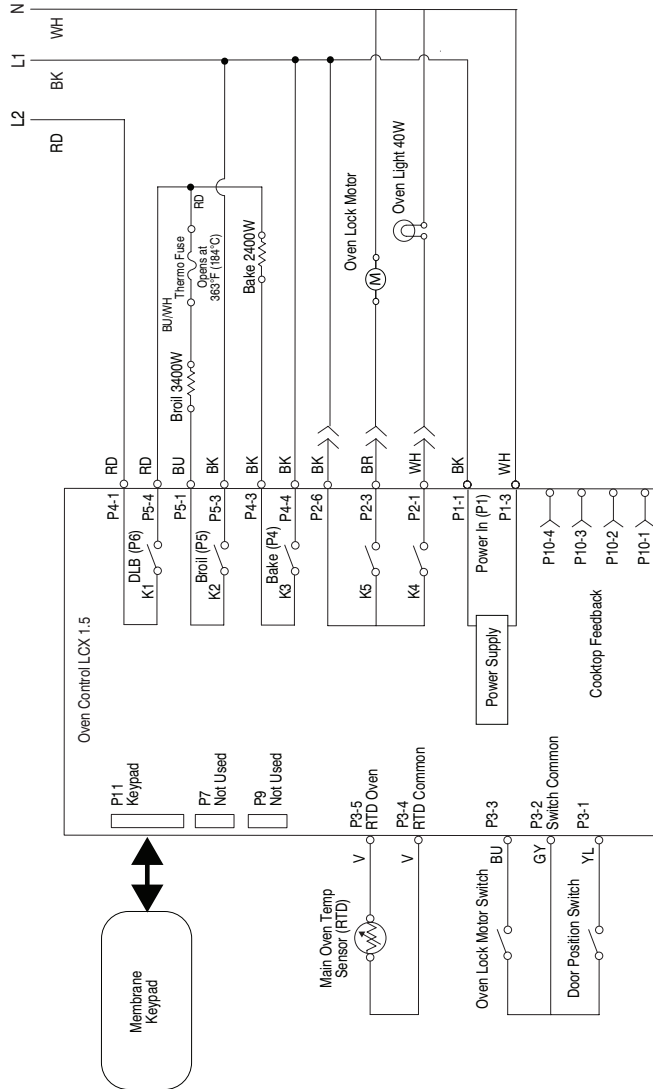
	Thermo Fuse
	Triac
	Indicator Light
	Thermistor
	Non-resettable Fuse
	Incandescent Light
	Motor
	Resistor or Element
	Thermal Switch (closes on heat)
	Thermal Switch (opens on heat)
	Single Switch
	Terminals
	Circuitry Enclosed Within
	P2-1 Connector P2, Position 1
	In Line Connection
	On Some Models
	No Connection
	Connection

For Service Technician Use Only

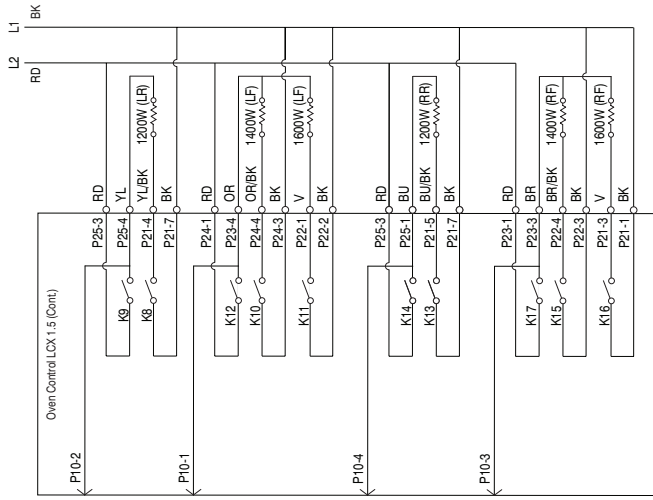
Wiring diagram for model WEE510S0F

Oven Control Wiring Diagram

NOTE: Schematic shows oven door open and elements off.



Cooktop Wiring Diagram



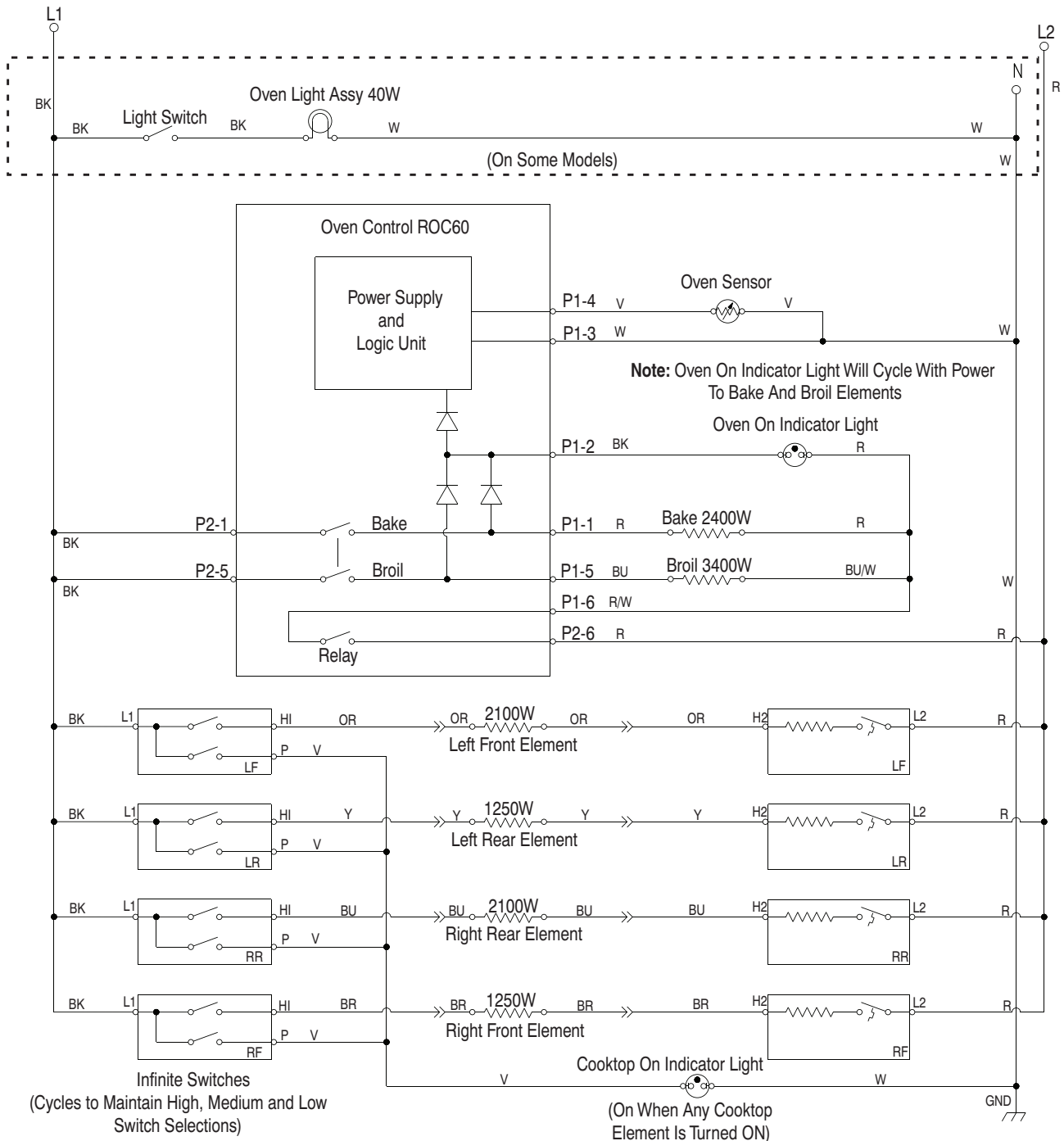
LEGEND

	Connection
	No Connection
	Overlap Connection
	In-Line Connection
	P2-1 Connector P2 Position 1
	Circuit Enclosed Within
	Terminals
	Single Switch
	Thermal Switch (opens on tripping)
	Thermal Switch (closes on tripping)
	Resistor or Element
	Motor
	Incandescent Light
	Non-resettable Fuse
	Thermistor
	Indicator Light
	Tiac
	Thermo Fuse

For Service Technician Use Only

Wiring diagram for model WFC110M0A

NOTE: Schematic is shown with the elements turned off.



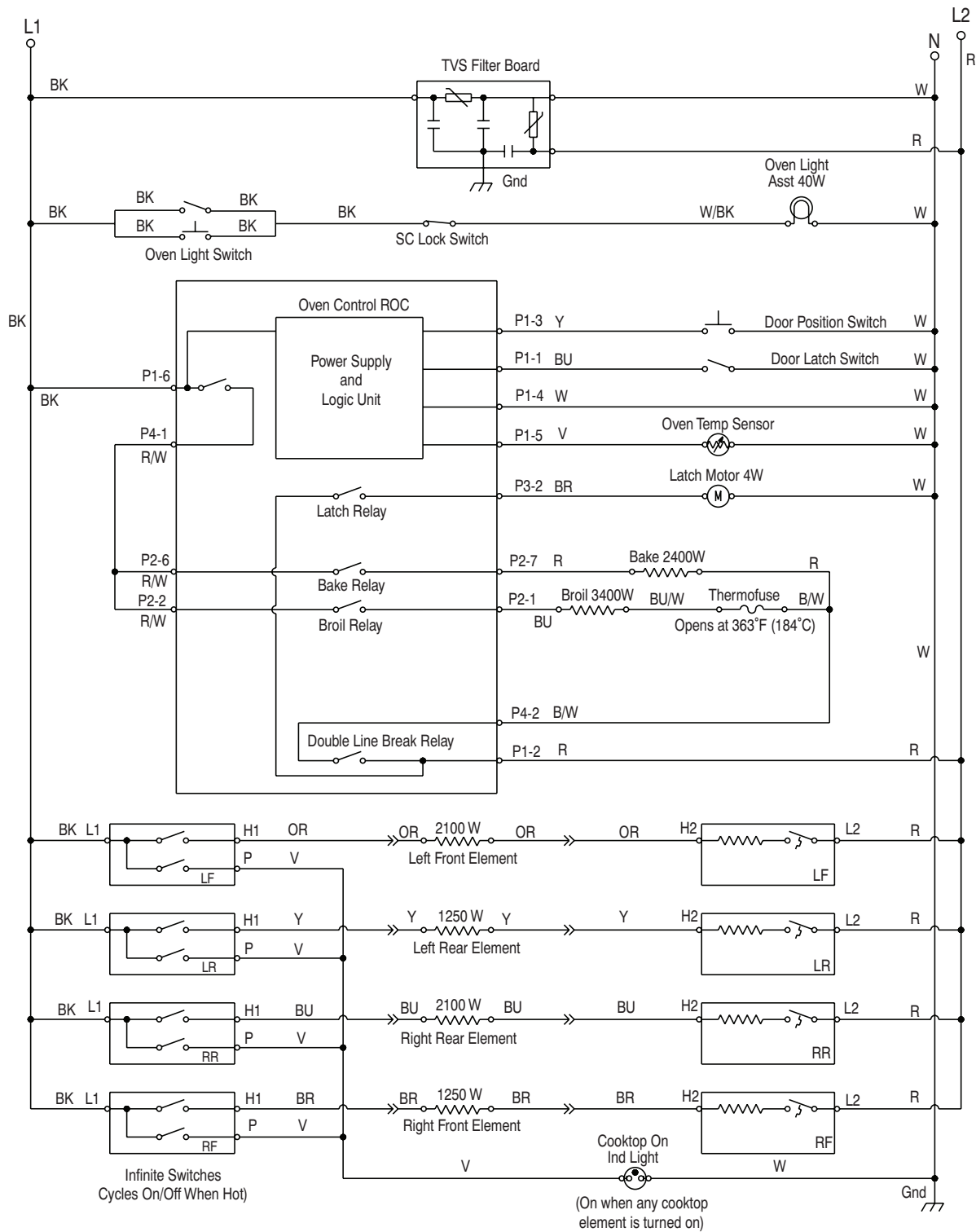
LEGEND

					P1-2 = Connector 1 P1 Position 2	Multiple Functions / Circuitry Enclosed Within
Component Terminals	Connection	No Connection	On Some Models	In Line Connection		

For Service Technician Use Only

Wiring diagram for model WFC340S0E

NOTE: Schematic is shown with the elements turned off.



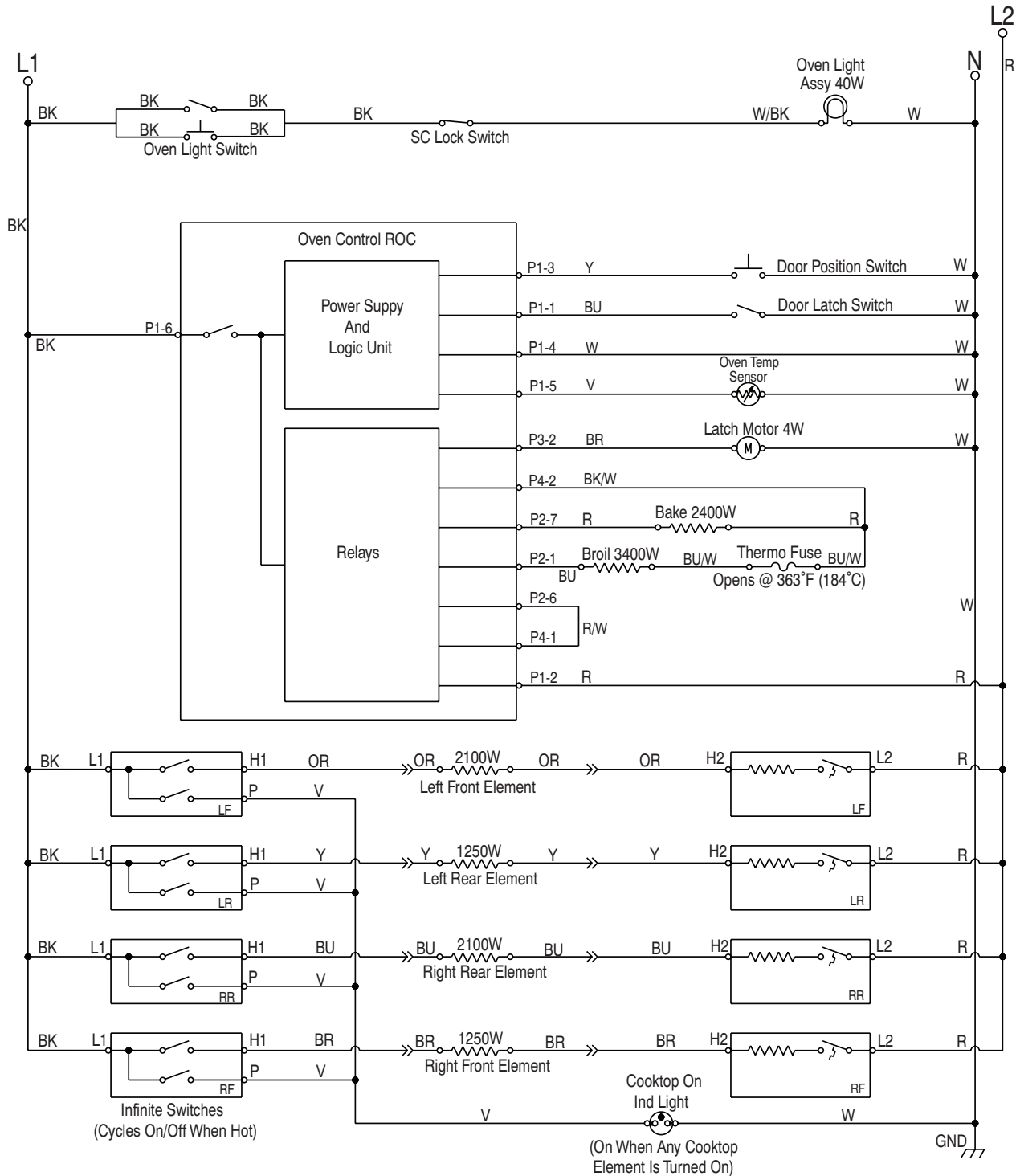
LEGEND

					P1-2 = Connector 1 P1 Position 2	Multiple Functions / Circuitry Enclosed Within
Component Terminals	Connection	No Connection	On Some Models	In Line Connection		

For Service Technician Use Only

Wiring diagram for model WFE260LX

NOTE: Schematic is shown with the elements turned off.



LEGEND

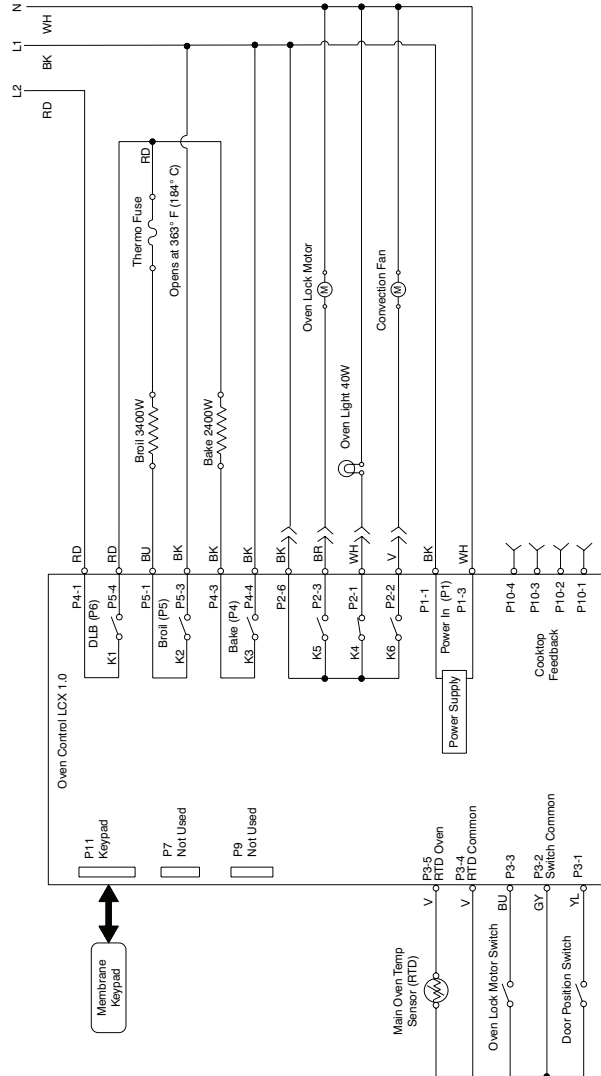
					P1-2 = Connector 1 P1 Position 2	Multiple Functions / Circuitry Enclosed Within
Component Terminals	Connection	No Connection	On Some Models	In Line Connection		

For Service Technician Use Only

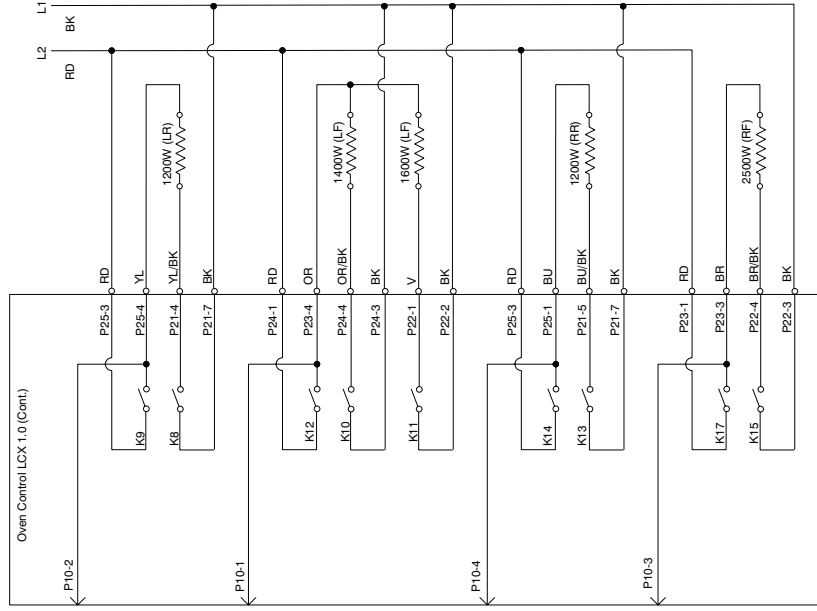
Wiring diagram for model WFE520S0F

Oven Control Wiring Diagram

NOTE: Schematic shows oven door open and elements off.



Cooktop Wiring Diagram



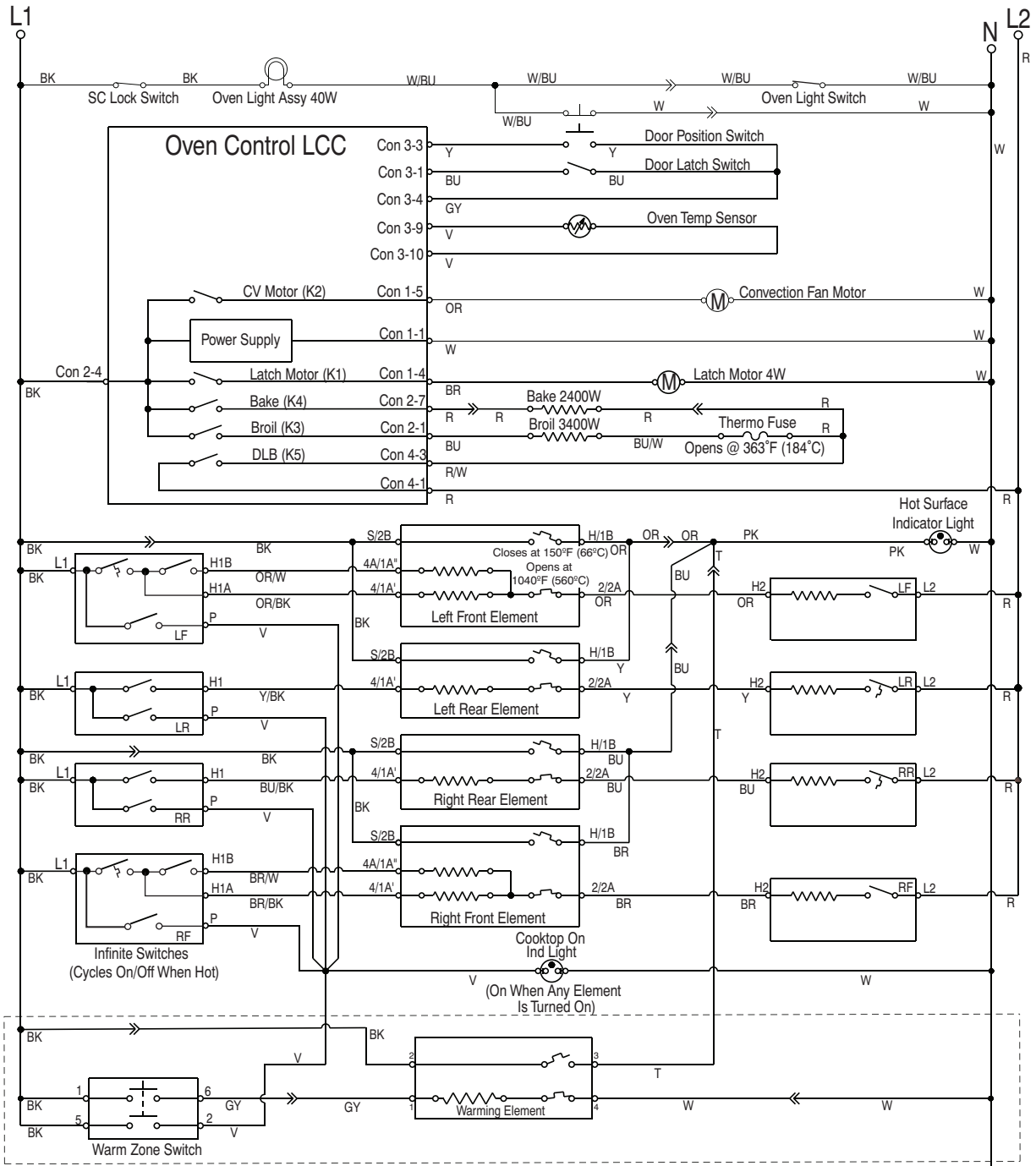
LEGEND

	Connection
	No Connection
	On/Off Switch Models
	In-Line Connection
	P2-1 Connector P2, Position 1
	Circuitry Enclosed Within
	Terminals
	Single Switch
	Thermal Switch (opens on heat rise)
	Thermal Switch (closes on heat rise)
	Resistor of Element
	Motor
	Incandescent Light
	Non-rewirable Fuse
	Thermistor
	Indicator Light
	Triac
	Thermo Fuse

For Service Technician Use Only

Wiring diagram for model WFE530C0A

NOTE: Schematic shows door latch switch in the cook position with oven door open and elements off. Cooktop element terminal designators may vary with the element supplier. Both options are shown (Example: S/2B may be either S or 2B).



Ceran Cooktop Configuration	Left Front Element	Left Rear Element	Right Rear Element	Right Front Element	Warming Element
1	3000W/1900W	1200W	1200W	3000/1400W	100W
2	3000W/1900W	1200W	1200W	3000/1400W	N/A

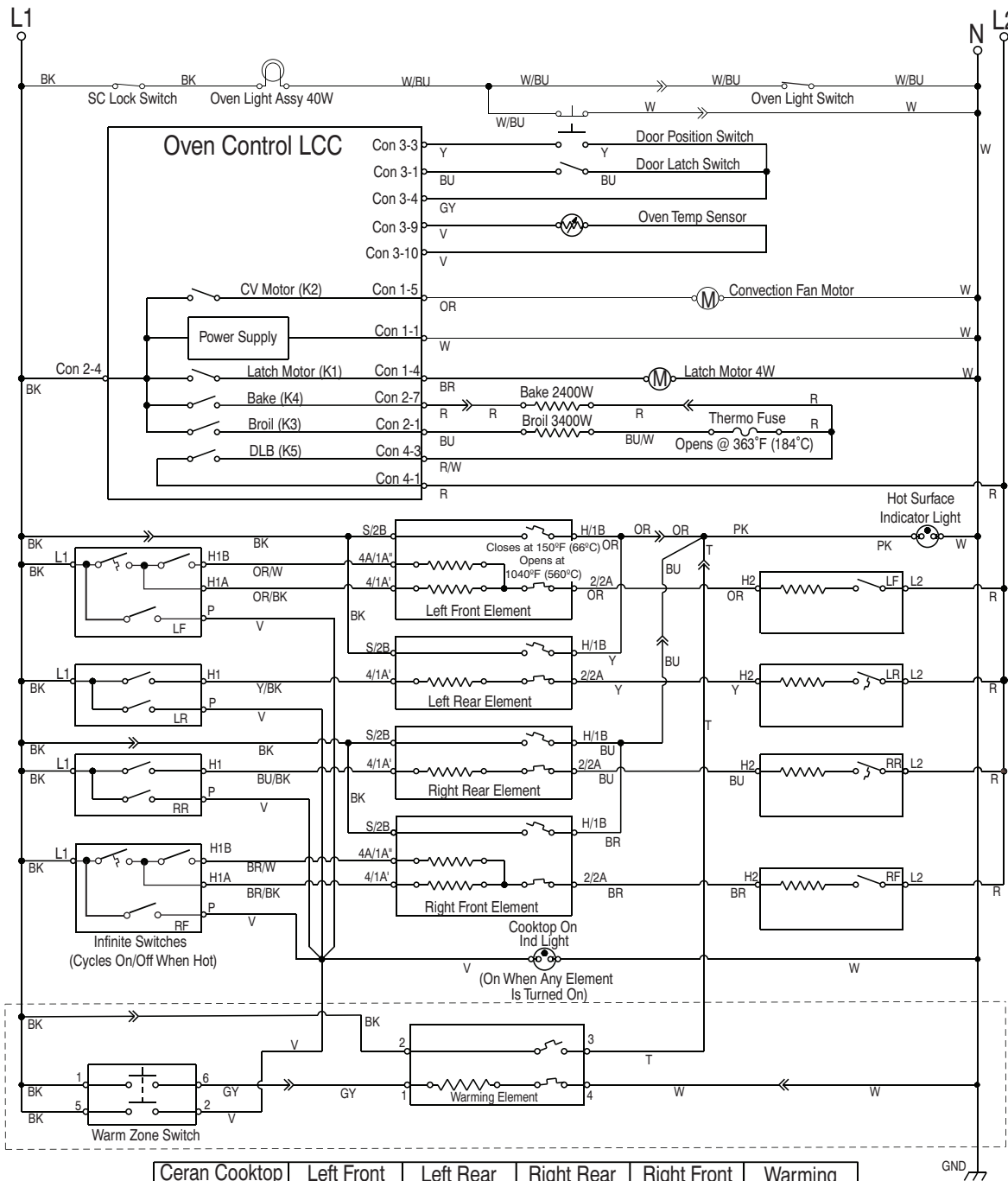
LEGEND

					CON1-2 = Connector 1 CON1 Position 2	Multiple Functions / Circuitry Enclosed Within
--	--	--	--	--	---	--

For Service Technician Use Only

Wiring diagram for model WFE530C0E

NOTE: Schematic shows door latch switch in the cook position with oven door open and elements off. Cooktop element terminal designators may vary with the element supplier. Both options are shown (Example: S/2B may be either S or 2B).



Ceran Cooktop Configuration	Left Front Element	Left Rear Element	Right Rear Element	Right Front Element	Warming Element
1	3000W/1900W	1200W	1200W	3000/1400W	100W
2	3000W/1900W	1200W	1200W	3000/1400W	N/A
3	3000W/1400W	1200W	1200W	3000/1400W	100W

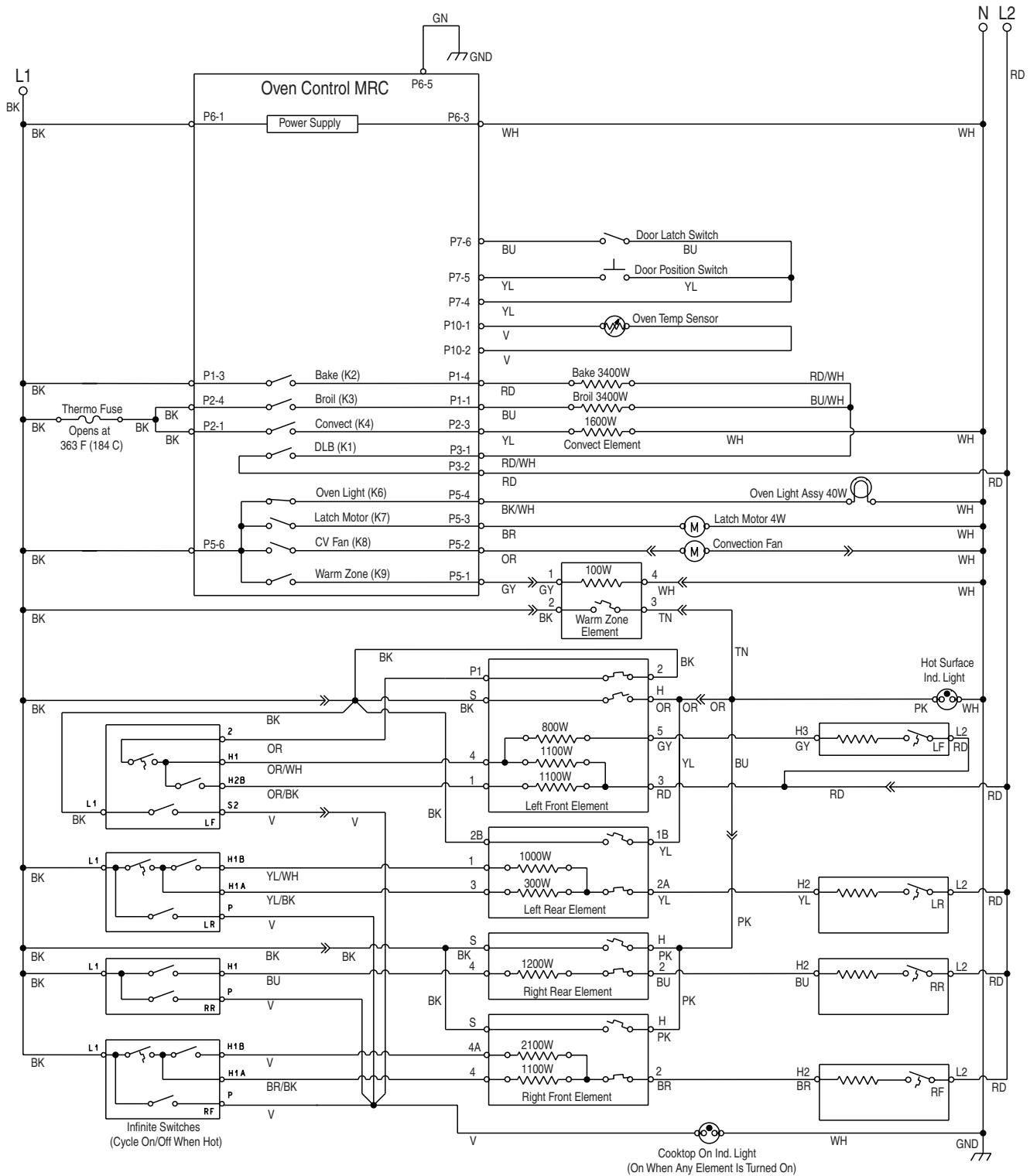
LEGEND

					CON1-2 = Connector 1 CON1 Position 2	Multiple Functions / Circuitry Enclosed Within
Component Terminals	Connection	No Connection	On Some Models	In Line Connection		

For Service Technician Use Only

Wiring diagram for model WFE905COE

NOTE: Schematic shows oven door open and elements off.



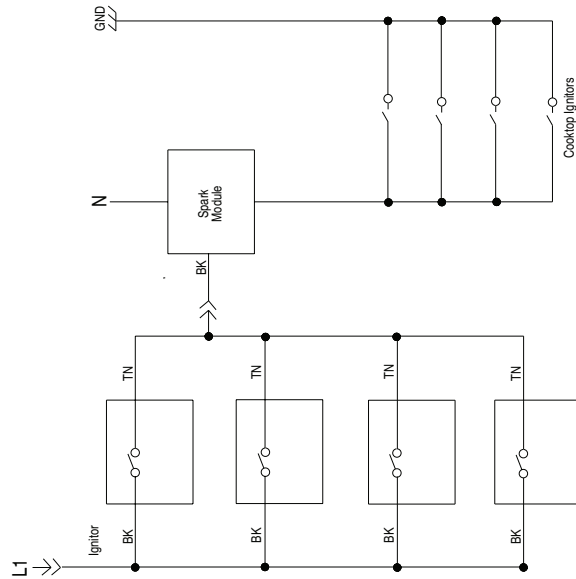
LEGEND

					P1-2 = Connector P1 Position 2	<div style="border: 1px solid black; padding: 5px; text-align: center;">Multiple Functions / Circuitry Enclosed Within</div>
Component Terminals	Connection (Splice)	No Connection	On Some Models	In Line Connection		

For Service Technician Use Only

Wiring diagram for model WFG520S0F

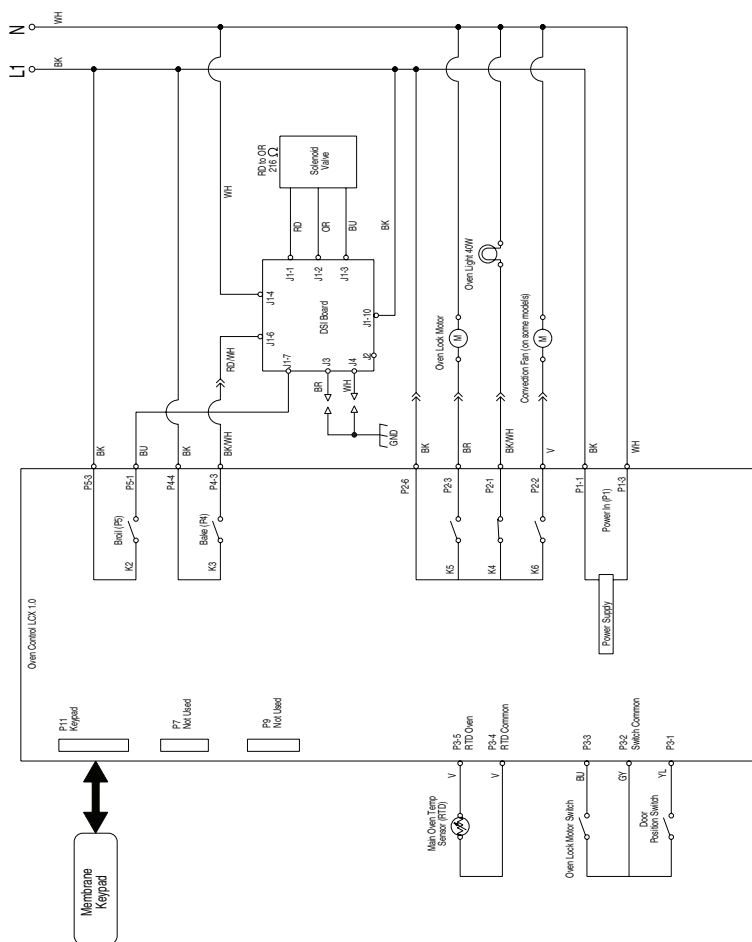
Cooktop Wiring Diagram



Oven Control Wiring Diagram

NOTE: Schematic shows oven door open and elements off.

Caution: Label all wires prior to disconnection when servicing controls. Wiring errors can cause improper and dangerous operation. Verify proper operation after servicing.



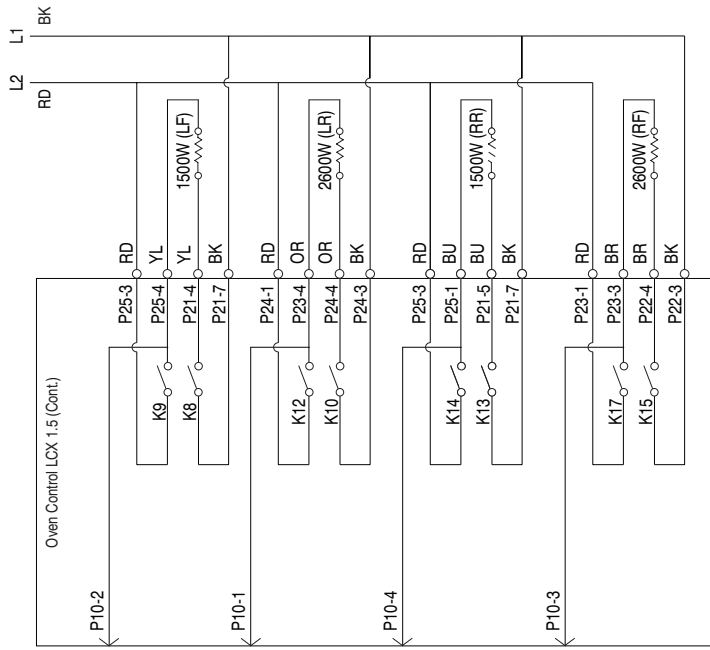
LEGEND

+	Connection
⊖	No Connection
⊕	On Some Metals
⊖	In-Line Connection
⊖	Connector P2-1 Position 1
⊖	Connector P2-1 Position 1
⊖	Circuitry Enclosed Within
⊖	Terminals
⊖	Single Switch
⊖	Thermal Switch (opens on heat rise)
⊖	Thermal Switch (closes on heat rise)
⊖	Resistor or Element
⊖	Motor
⊖	Incandescent Light
⊖	Non-resettable Fuse
⊖	Thermistor
⊖	Indicator Light
⊖	Triac
⊖	Thermo Fuse

For Service Technician Use Only

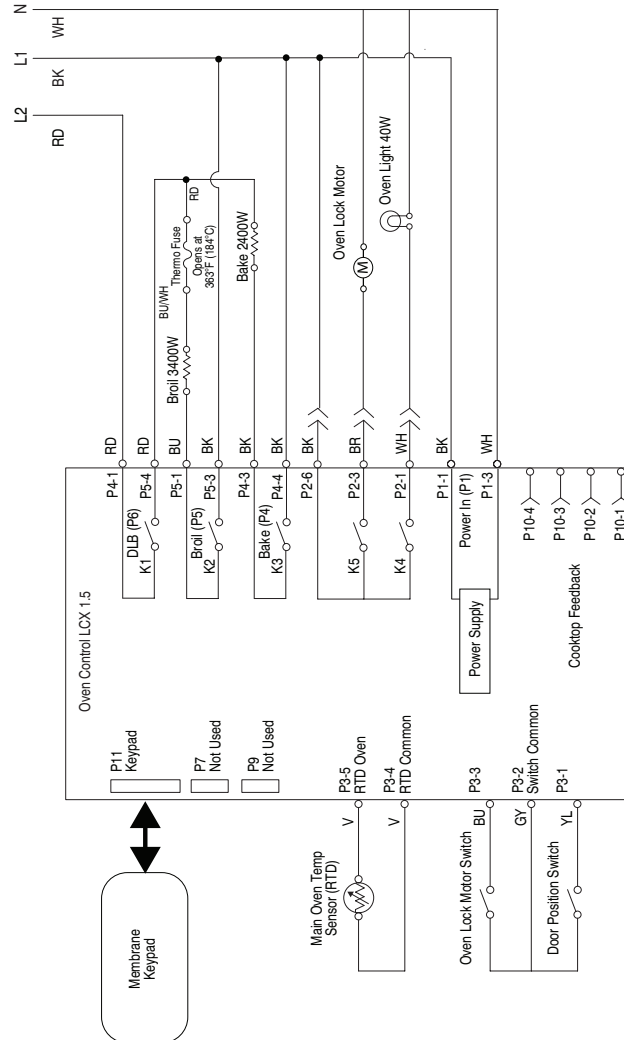
Wiring diagram for model YWEC310S0F

Cooktop Wiring Diagram



Oven Control Wiring Diagram

NOTE: Schematic shows oven door open and elements off.



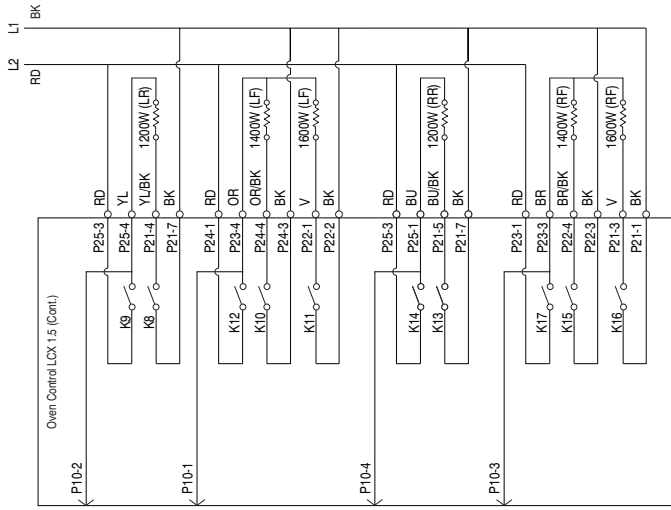
LEGEND

	Connection
	No Connection
	On Some Models
	In Line Connection
	Connector P2, Position 1
	Circularity Enclosed Within
	Terminals
	Single Switch
	Thermal Switch (opens on heatrise)
	Thermal Switch (closes on heatrise)
	Resistor or Element
	Motor
	Incandescent Light
	Non-resettable Fuse
	Thermistor
	Indicator Light
	Triac
	Thermo Fuse

For Service Technician Use Only

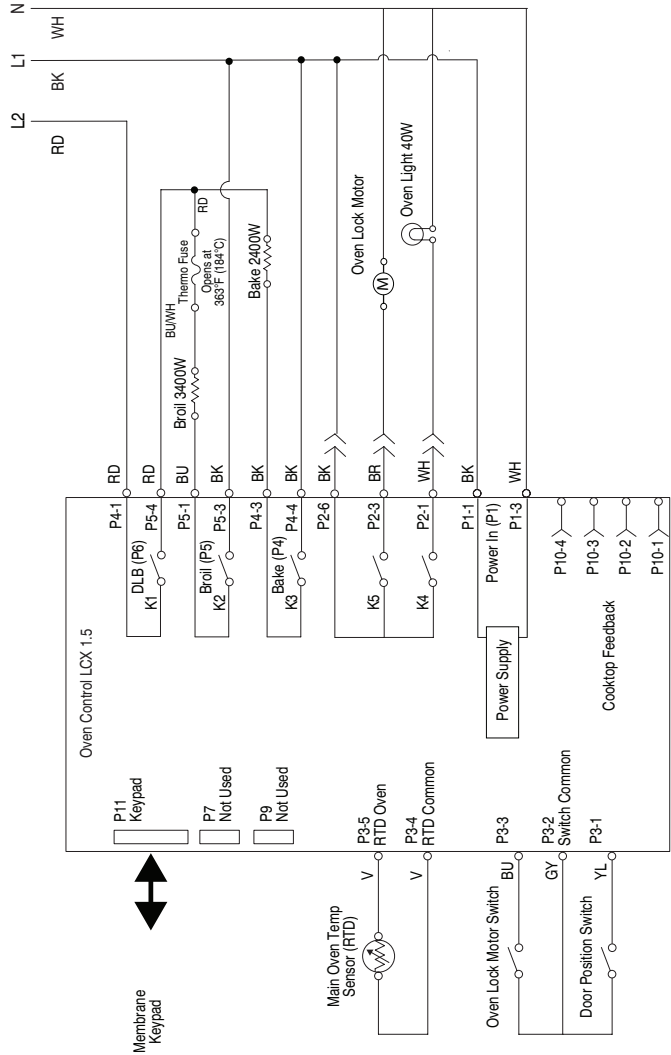
Wiring diagram for model YWEE510S0F

Cooktop Wiring Diagram



Oven Control Wiring Diagram

NOTE: Schematic shows oven door open and elements off.



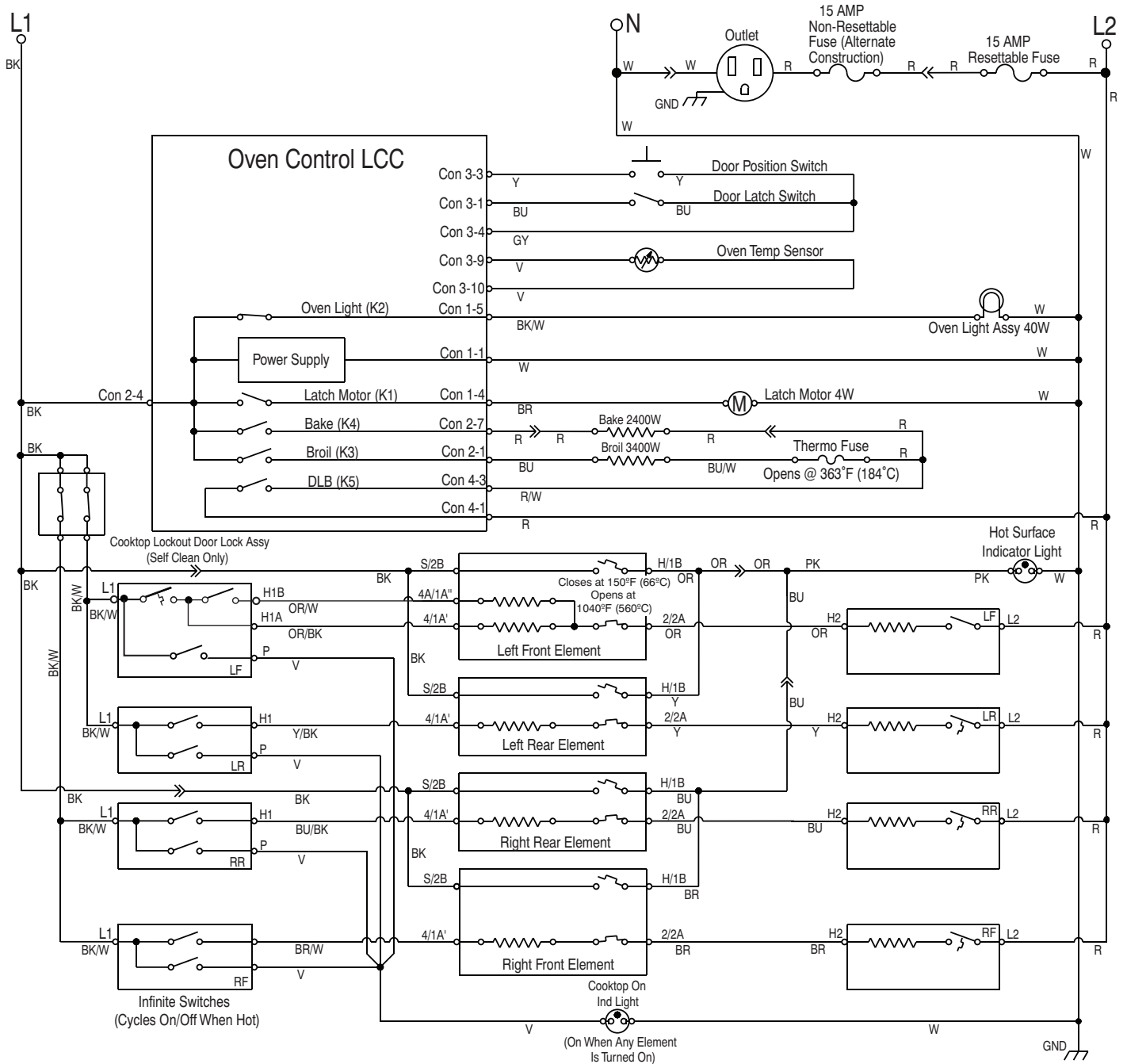
LEGEND

	Connection
	No Connection
	On Some Models
	In Line Connection
	Circuity Enclosed Within
	Terminals
	Single Switch
	Thermal Switch (opens on heatrise)
	Thermal Switch (closes on heatrise)
	Resistor or Element
	Motor
	Incandescent Light
	Non-resistive Fuse
	Thermistor
	Indicator Light
	Triac
	Thermo Fuse

For Service Technician Use Only

Wiring diagram for models YWFE510S0E and YWFE515S0E

NOTE: Schematic shows door latch switch in the cook position with oven door open and elements off. Cooktop element terminal designators may vary with the element supplier. Both options are shown (Example: S/2B may be either S or 2B).



Ceran Cooktop Configuration	Left Front Element	Left Rear Element	Right Rear Element	Right Front Element
1	3000W/1400W	1200W	1800W	1200W
2	2500W/1200W	1200W	1200W	2500W

LEGEND

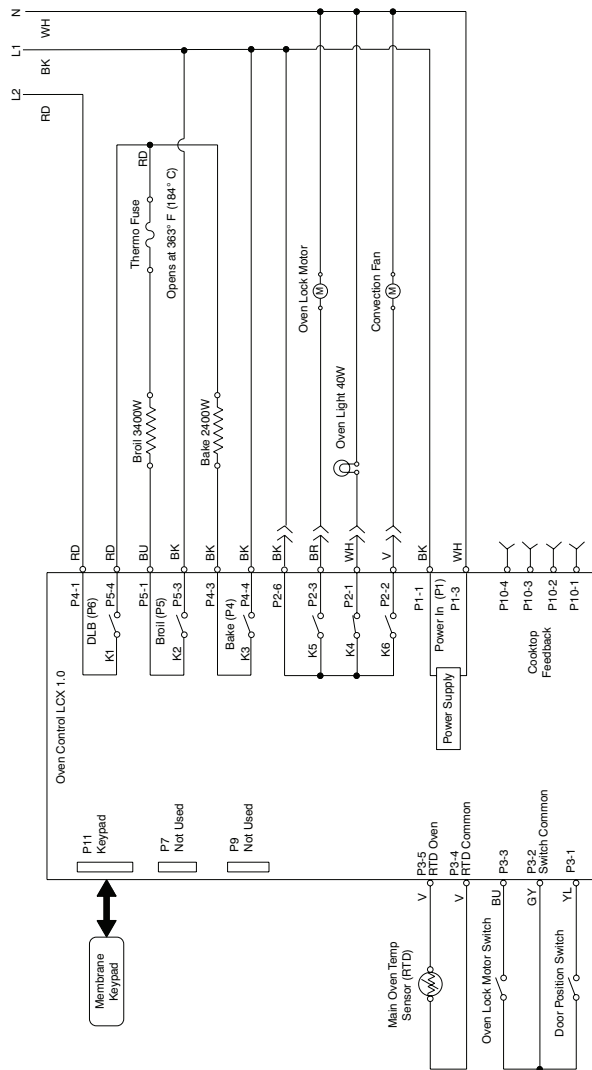
					CON1-2 = Connector 1 CON1 Position 2	Multiple Functions / Circuitry Enclosed Within
--	--	--	--	--	---	--

For Service Technician Use Only

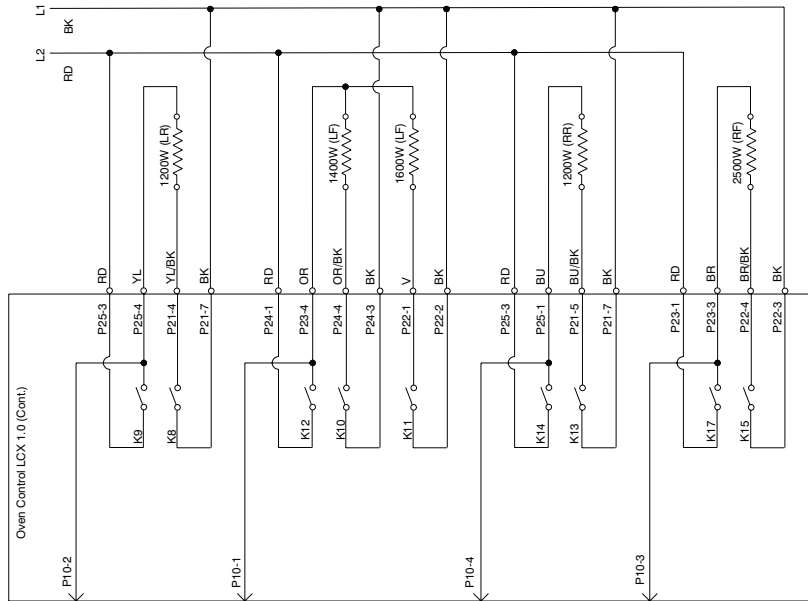
Wiring diagram for model YWFE520S0F

Oven Control Wiring Diagram

NOTE: Schematic shows oven door open and elements off.



Cooktop Wiring Diagram



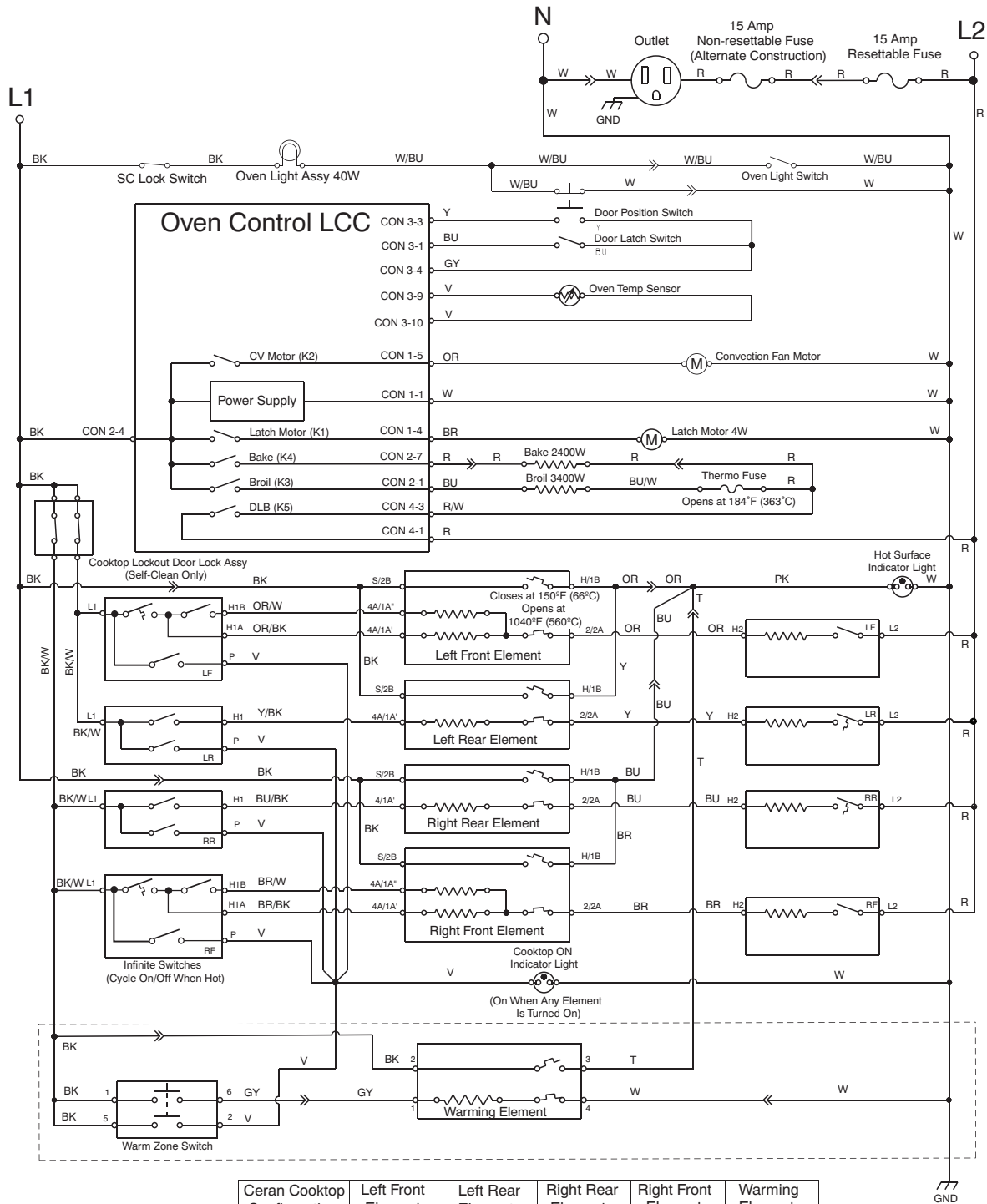
LEGEND

	Connection
	No Connection
	On Some Models
	In-Line Connection
	P2-1 Connector Position 1
	Circuitry Enclosed Within
	Terminals
	Single Switch
	Thermal Switch (opens on heat rise)
	Thermal Switch (closes on heat rise)
	Resistor or Element
	Motor
	Incandescent Light
	Non-resettable Fuse
	Thermistor
	Indicator Light
	Triac
	Thermo Fuse

For Service Technician Use Only

Wiring diagram for model YWFE530C0E

NOTE: Schematic shows door latch switch in the COOK position with oven door open and elements off. Cooktop element terminal designators may vary with the supplier. Both options are shown (Example, S/2B may be either S or 2B).



Ceran Cooktop Configuration	Left Front Element	Left Rear Element	Right Rear Element	Right Front Element	Warming Element
1	3000/1900W	1200W	1200W	3000/1400W	100W
2	3000/1900W	1200W	1200W	3000/1400W	N/A

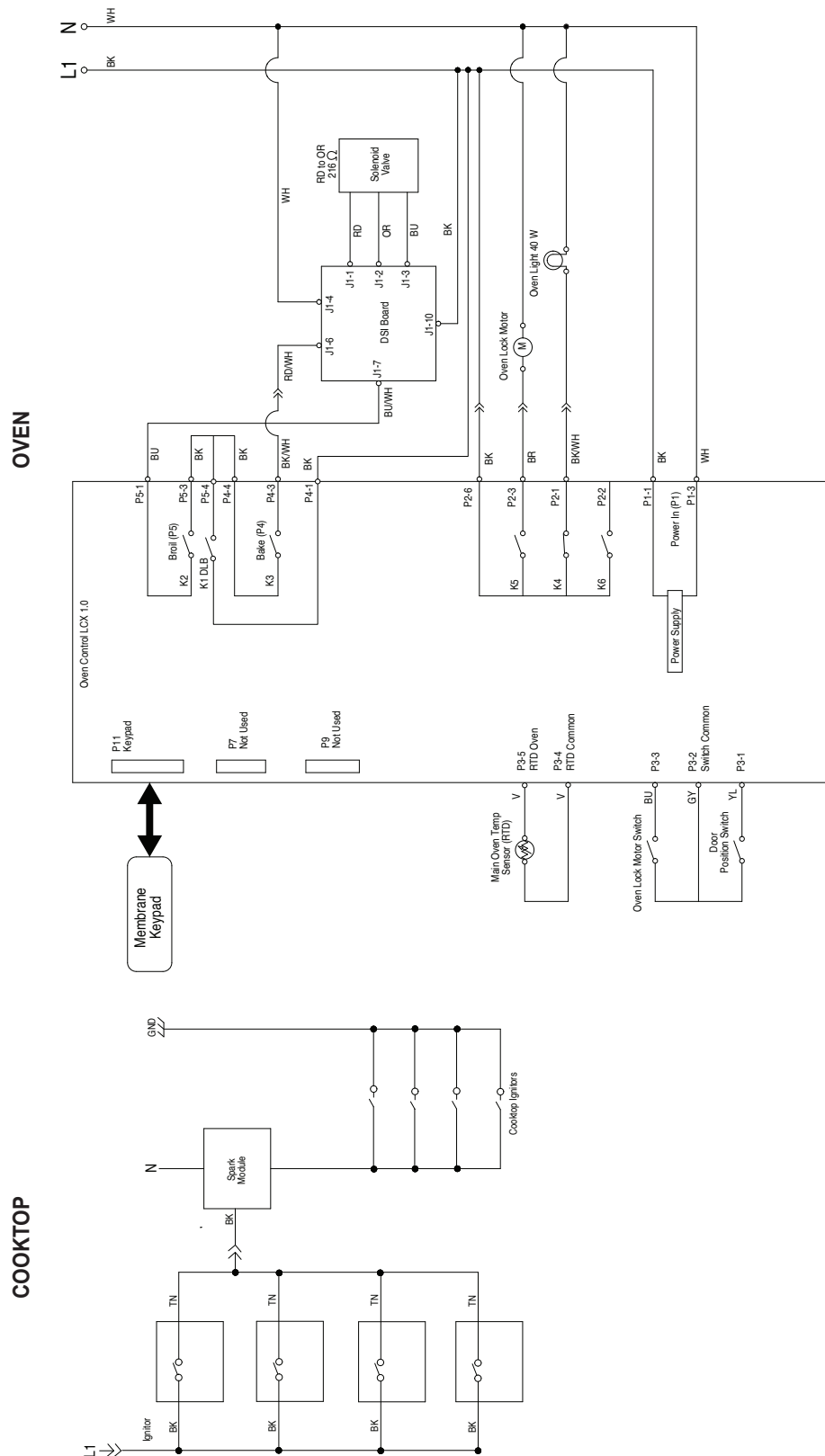
LEGEND

					CON1-2 = Connector 1 CON1 Position 2	Multiple Functions / Circuitry Enclosed Within
--	--	--	--	--	---	--

For Service Technician Use Only

Wiring Diagram for Models WFG515S0M and AGR6603SM

IMPORTANT: Electrostatic discharge may cause damage to machine control electronics. Refer to online Tech Manual for additional information.



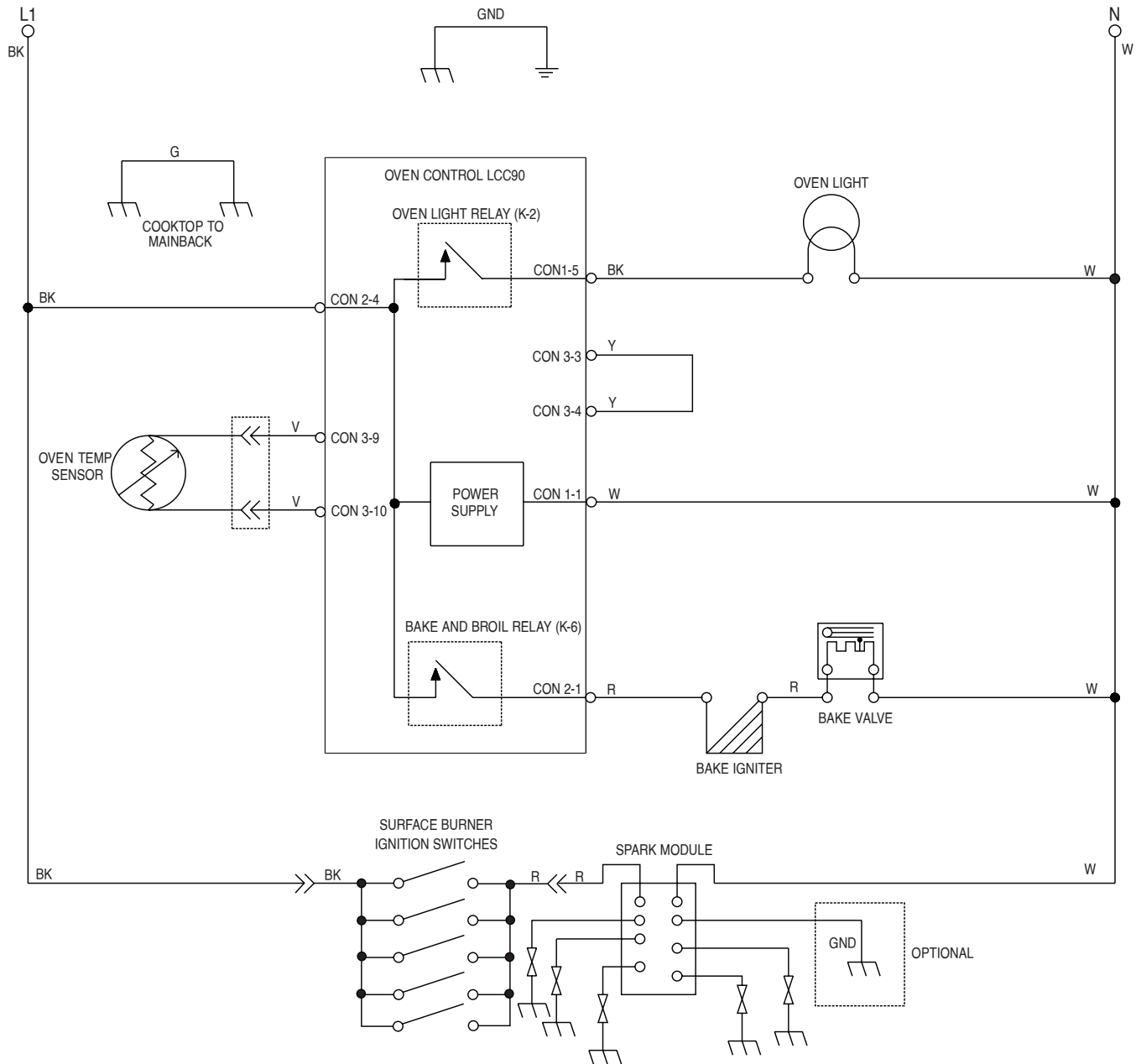
LEGEND

	Connection
	No Connection
	On Some Models
	In-Line Connection
	Circuitry Enclosed Within
	Terminals
	Single Switch
	Thermal Switch (opens on heat rise)
	Thermal Switch (closes on heat rise)
	Resistor or Element
	Motor
	Incandescent Light
	Non-resettable Fuse
	Thermistor
	Indicator Light
	Triac
	Thermo Fuse
	P1-2 = Connector P1, Pin 2
	Multiple Functions / Circuitry Enclosed Within

For Service Technician Use Only

Wiring Diagram for Models WFG320, WFG505, and AGR6303

Caution: Label all wires prior to disconnection when servicing controls. Wiring errors can cause improper and dangerous operation. Verify proper operation after servicing.



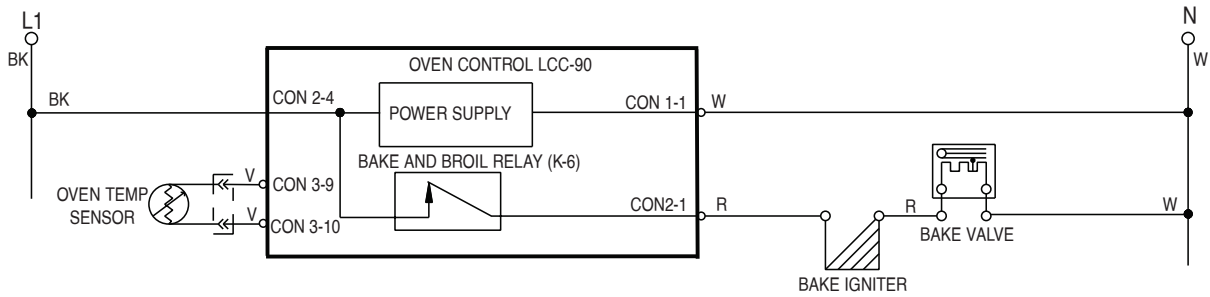
LEGEND				
COMPONENT TERMINAL	CONNECTION (SPLICE)	NO CONNECTION	ON SOME MODELS	IN LINE CONNECTION

For Service Technician Use Only

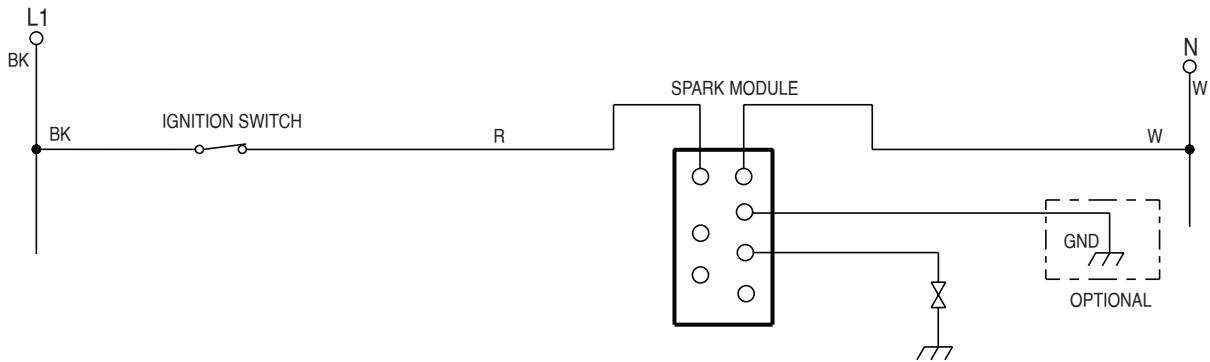
Strip Circuits

The following individual circuits are for use in diagnoses, and are shown in the ON position. Do not continue with the diagnosis of the appliance if a fuse is blown, a circuit breaker is tripped, or if there is less than a 120 volt power supply at the wall outlet.

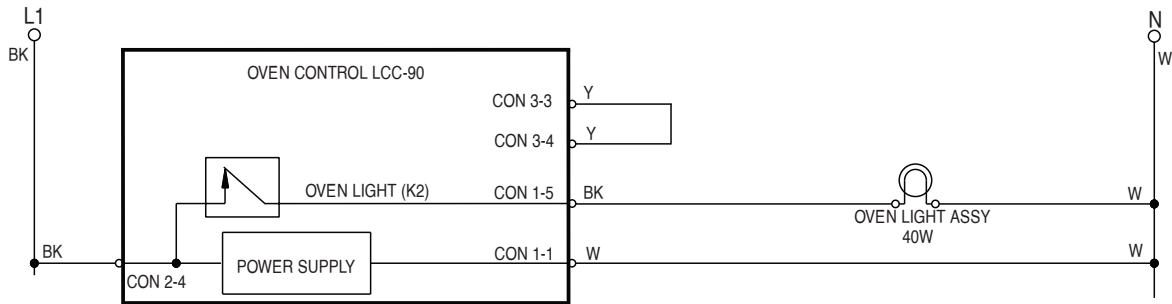
Bake and Broil



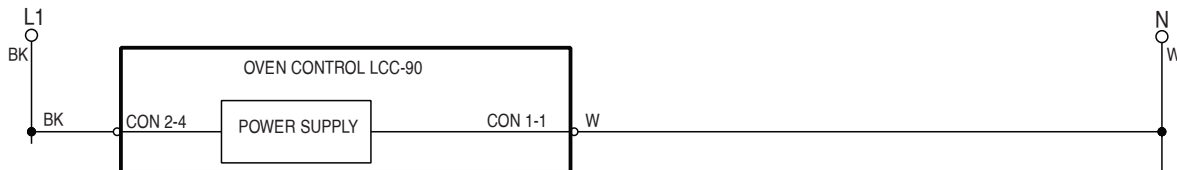
Surface Burner (typical)



Oven Light



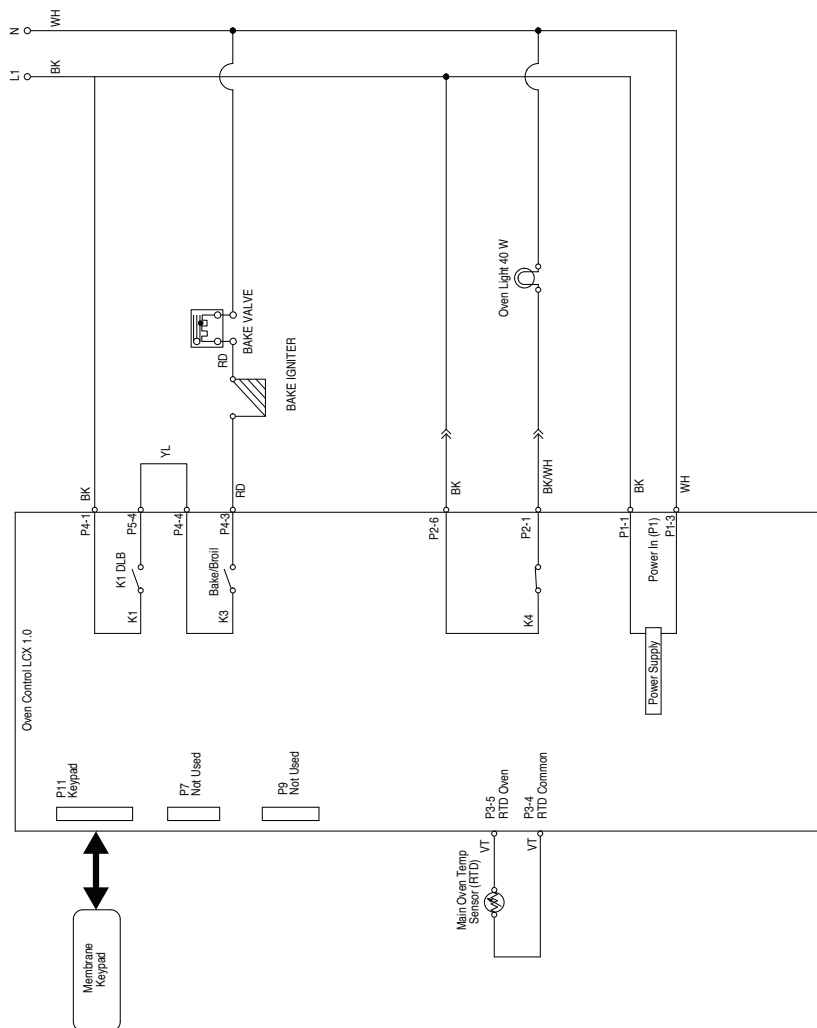
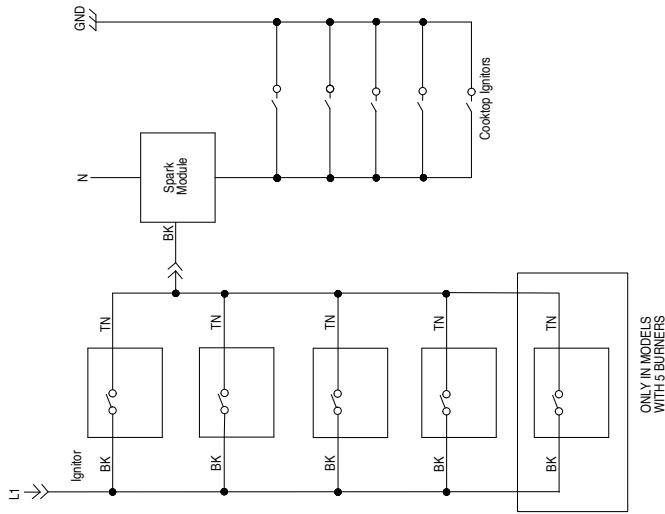
Control Power



For Service Technician Use Only

Wiring Diagram for Models WFG320, WFG505, and AGR6303

Caution: Label all wires prior to disconnection when servicing controls. Wiring errors can cause improper and dangerous operation. Verify proper operation after servicing.



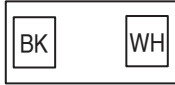
LEGEND

	Connection
	No Connection
	On Some Models
	In-Line Connection
	P2-1 Connector P2 Position 1
	Circuitry Enclosed Within
	Terminals
	Single Switch
	Thermal Switch (opens on heat rise)
	Thermal Switch (closes on heat rise)
	Resistor or Element
	Motor
	Incandescent Light
	Non-resistible Fuse
	Thermistor
	Indicator Light
	T-rac
	Thermo Fuse
	P1-2 = Connector P1 Pin 2
	Multiple Functions / Circuitry Enclosed Within

For Service Technician Use Only

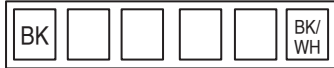
Quick Connect Plugs for Models WFG320, WFG505, and AGR6303

P1 (Red)



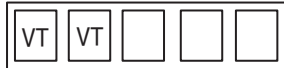
1

P2 (Blue)



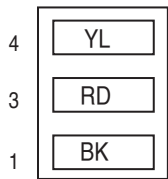
1

P3 (Red)



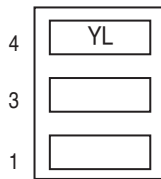
1

P4 (Red)



4
3
1

P5 (Blue)



4
3
1

WFG320 Models:

	RF	LF	RR	LR	CTR	Bake
5" WC NAT. BTUs	15000	15000	5000	9500	-	16500
10" WC LP BTUs	14200	14200	5000	8000	-	12700
5" WC NAT. Whs	4396	4396	1465	2784	-	4836
10" WC LP Whs	4162	4162	1465	2345	-	3429

WFG505 Models:

	RF	LF	RR	LR	CTR	Bake
5" WC NAT. BTUs	15000	15000	5000	9500	10000	16500
10" WC LP BTUs	14200	14200	5000	8000	10000	12700
5" WC NAT. WHs	4396	4396	1465	2784	2931	4836
10" WC LP WHs	4162	4162	1465	2345	2931	3429

AGR6303 Models:

	RF	LF	RR	LR	CTR	Bake
5" WC NAT. BTUs	9500	11500	5000	9500	-	16500
10" WC LP BTUs	8500	10500	5000	8500	-	12700
5" WC NAT. WHs	2784	3370	1465	2784	-	4836
10" WC LP WHs	2491	3077	1465	2491	-	3429

For Service Technician Use Only

Component Testing

The following charts provide pin locations and Voltage/Resistance values for all components used in the range. These charts should be used to confirm that a component is operating properly. All this testing information is also available in the Tech Sheet that is provided with every range Whirlpool produces.

Component Testing Chart Electric/Gas Models with LCC Controls

NOTE: This Component Testing Chart covers different models. The range may have some or all of the components listed in the following chart. Do not continue with the diagnosis of the appliance if a fuse is blown, a circuit breaker is tripped, or if there is less than 240 +10%-15% V power supply at the wall outlet.

When checking for proper voltage, complete the following steps:

1. Unplug range or disconnect power.
2. Connect voltage measurement equipment.
3. Plug in range or reconnect power and confirm voltage reading.
4. Unplug range or disconnect power after performing voltage measurements.

Component	From	To	Resistance: measure without power applied	Notes	Nominal Voltage
Door switch	Con 3-3	Con 3-4	Door open = open circuit Door closed = closed circuit		2 VDC with door open 0 VDC with door closed
Latch motor	Con 1-4	Con 1-1 W (Neutral)	500 – 3000 Ω	Latch motor locks door at start of clean cycle.	120 VAC
Oven light	Con 1-5 (BK wire)	Con 1-1 W (Neutral) (W/BU wire)	0 – 40 Ω nominal	Measure resistance with oven light switch Open/Off and door closed. Measure voltage with oven light switch Closed/On or door open.	N/A 115 VAC/120 VAC
Thermo fuse	Con 2-1	Con 4-3	Closed circuit (normal) Open circuit if thermo fuse exceeded temperature	Thermo fuse will open if it exceeds temperature. Nominal voltage is measured when broil element is energized.	230 VAC/240 VAC
Oven temperature sensor	Con 3-9	Con 3-10	1000 – 1200 Ω at room temperature	Disconnect connector Con 3 from control before measuring sensor. Measure only resistance, not voltage.	N/A
Bake element	Con 2-7	Con 4-3	10 – 40 Ω nominal. Check both Con 4 terminals – one open circuit and one closed circuit if both Con 4 wires are red.	For voltage measurements in Bake mode, note that voltage will cycle between the Bake and Broil circuits.	240 VAC when energized
Broil element	Con 2-1	Con 4-3	10 – 40 Ω nominal. Check both Con 4 terminals – one open circuit and one closed circuit if both Con 4 wires are red.	For voltage measurements in Broil mode, only Broil element On when heating.	230 VAC/240 VAC when energized
Latch switch	Con 3-1	Con 3-4	Door unlocked = open circuit Door locked = closed circuit		>2 VDC (unlocked) 0 VDC (locked)
Single and dual burner elements	Term 2B or S	Term 1B or H	Thermal switch closes/opens at 150°F (65.6°C) to turn on/off hot surface indicator light.	Infinite switch cycles On/ Off when hot. Cooktop On indicator light is on when any element is turned on.	0 VAC when hot surface light is On, 115 VAC/120 VAC when light is Off
	Term 1A'/1A" or 4/4A	Term 2A or 2	Thermal limiter opens at 1040°F (560°C).		230 VAC/240 VAC when cooktop temperature is below 1040°F (560°C)
Convection fan motor	Con 1-5	Con 1-1 W (Neutral)	15 - 20 Ω nominal (electric)	Convection fan runs only in Convection Bake mode	120 VAC

For Service Technician Use Only

Component	From	To	Resistance: measure without power applied	Notes	Nominal Voltage
DSI board	J1-4	J1-6		Start a Bake cycle and verify burner operation.	120 VAC
	J1-4	J1-10		Verify voltage to DSI board.	120 VAC
	J1-1	J1-2	216 Ω nominal	Must be in Bake mode. Verify burner operation.	8-18 VDC
	J1-4	J1-7		Start a Broil cycle and verify burner operation.	120 VAC
	J1-3	J1-2	216 Ω nominal	Must be in Broil mode. Verify burner operation.	8-18 VDC
Surface burner spark module	L	N	N/A	Turn one cooktop knob to "LITE" position. Verify that the burner sparks.	120 VAC

Component Testing Chart Electric/Gas Models with LCX Controls

NOTE: This Component Testing Chart covers different models. The range may have some or all of the components listed in the following chart. Do not continue with the diagnosis of the appliance if a fuse is blown, a circuit breaker is tripped, or if there is less than 240 +10%-15% V power supply at the wall outlet.

When checking for proper voltage, complete the following steps:

1. Unplug range or disconnect power.
2. Connect voltage measurement equipment.
3. Plug in range or reconnect power and confirm voltage reading.
4. Unplug range or disconnect power after performing voltage measurements.

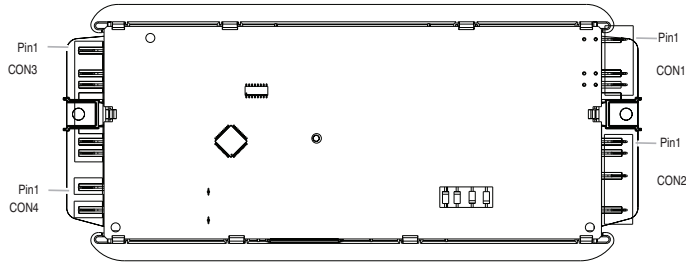
Component	From	To	Resistance: Measure Without Power Applied	Notes	Nominal Voltage
Door switch	P3-1	P3-2	Door open = open circuit Door closed = closed circuit		2 VDC with door open 0 VDC with door closed
Oven temp sensor	P3-4	P3-5	1000-1200 Ω at room temperature. Measure only resistance, not voltage. The operating temperature range is from -40°F (-40°C) to 1100°F (593°C).	Disconnect connector P3 from control before measuring RTD.	N/A
Oven light	P2-1	WH (neutral) P1-3	0-40 Ω nominal		120 VAC
Bake element	P4-3	P5-4	10-40 Ω nominal	For voltage, measure in Bake mode; will cycle between bake and broil elements ON when heating.	240 VAC
Broil element	P5-1	P5-4 WH (neutral)	10-40 Ω nominal	For voltage, measure in Broil mode. Only broil element is ON when heating.	240 VAC
Convection fan motor	P2-2	WH (neutral) P1-3	15-20 Ω nominal	For voltage, measure in Convection Bake mode.	120 VAC
Thermo fuse	P5-1	P5-4	Closed circuit	Thermo fuse will open if it exceeds temperature. Nominal voltage is measured when broil element is energized.	240 VAC
Door latch motor	P2-3	WH (neutral) P1-3	500-3000 Ω	Latch motor locks door at start of Clean cycle.	120 VAC

For Service Technician Use Only

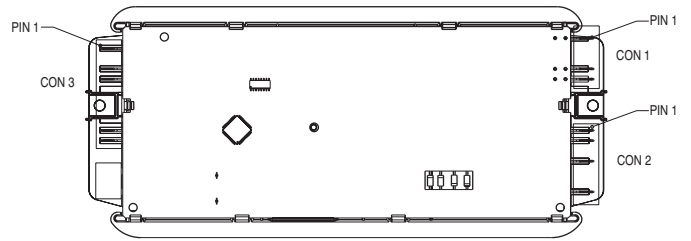
Component	From	To	Resistance: Measure Without Power Applied	Notes	Nominal Voltage
Left rear element (ceramic glass)	P21-4	P25-4		For voltage, measure while left rear element is ON at level 10.	240 VAC
Left front element in (ceramic glass)	P24-4	P23-4		For voltage, measure while left front element is ON at level 10.	240 VAC
Left front element out (ceramic glass)	P22-1	P23-4		For voltage, measure while left front element is ON at level 10.	240 VAC
Right rear element (ceramic glass)	P21-5	P25-1		For voltage, measure while right rear element is ON at level 10.	240 VAC
Right front element in (ceramic glass)	P22-4	P23-3		For voltage, measure while right front element is ON at level 10.	240 VAC
Right front element out (ceramic glass)	P21-3	P23-3		For voltage, measure while right front element is ON at level 10.	240 VAC
Left rear element (coil)	P24-4	P23-4		For voltage, measure while left rear element is ON at level 10.	240 VAC
Left front element (coil)	P21-4	P25-4		For voltage, measure while left front element is ON at level 10.	240 VAC
Right rear element (coil)	P21-5	P25-1		For voltage, measure while right rear element is ON at level 10.	240 VAC
Right front element (coil)	P22-4	P23-3		For voltage, measure while right front element is ON at level 10.	240 VAC
Radiant element (single)	H1	H2	Thermal limiter opens at 1040°F (560°C).	"Cooktop On" will show in the control main display when any element is ON.	240 VAC
Radiant element (dual)	H1A	H2			
Coil element	H1	H2		"Cooktop On" will show in the control main display when any element is ON.	240 VAC
DSI board	J1-4	J1-6		Start a Bake cycle and verify burner operation.	120 VAC
	J1-4	J1-10		Verify voltage to DSI board.	120 VAC
	J1-1	J1-2	216 Ω nominal	Must be in Bake mode. Verify burner operation.	8-18 VDC
	J1-4	J1-7		Start a Broil cycle and verify burner operation.	120 VAC
	J1-3	J1-2	216 Ω nominal	Must be in Broil mode. Verify burner operation.	8-18 VDC
Surface ignitors	L	N		Turn on a cooktop burner and verify that the burner sparks.	120 VAC

For Service Technician Use Only

All LCC Controls (Electric Models)



All LCC Controls (Gas Models)



Rear View

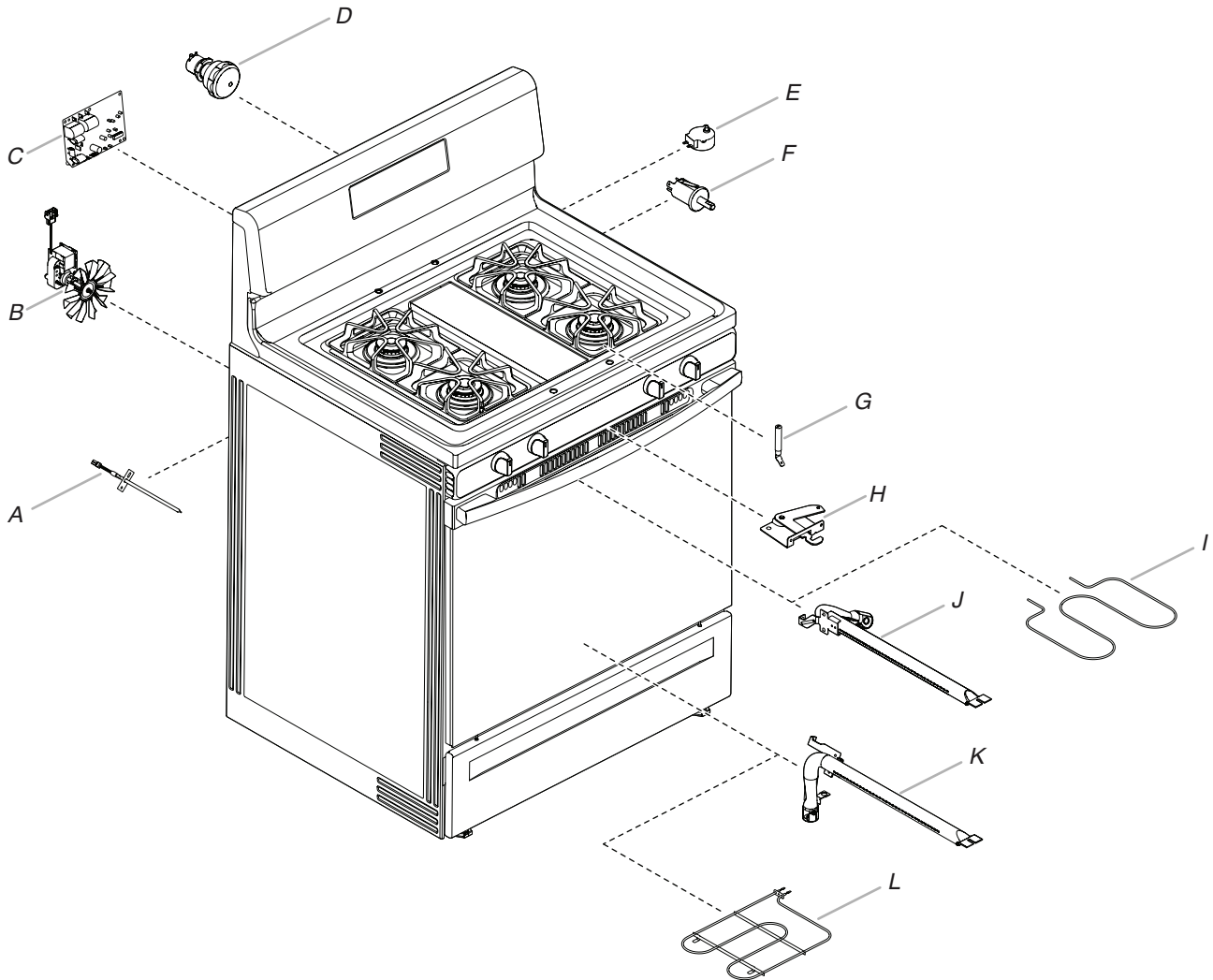
Control Connector	Pin	Function
CON1	1	Control neutral
	4	Latch motor (on self-clean models)
	5	Convection fan/Oven light
CON2	1	Broil
	4	L1 input
	7	Bake
CON3	1	Latch switch (on self-clean models)
	3	Door switch (closed circuit)
	4	Door switch (closed circuit)
	9	Oven temperature sensor
	10	Oven temperature sensor
CON4	1	L2 input
	3	Double line break (DLB)

Rear View

Control Connector	Pin	Function
CON1	1	Control neutral
	4	Latch motor (on self-clean models)
	5	Convection fan/Oven light
CON2	1	Broil
	4	L1 input
	7	Bake
CON3	1	Latch switch (on self-clean models)
	3	Door switch (closed circuit)
	4	Door switch (closed circuit)
	9	Oven temperature sensor
	10	Oven temperature sensor

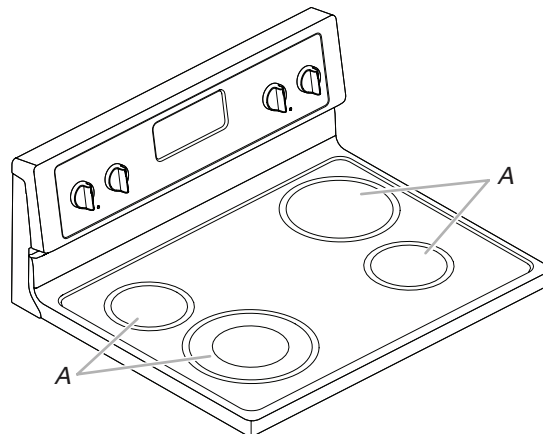
For Service Technician Use Only

Component Location



- A. Oven Temperature Sensor
- B. Convection Fan Motor
- C. DSI Board
- D. Oven Light
- E. Latch Motor
- F. Door Switch

- G. Burner Electrode
- H. Door Latch
- I. Broil Element (For Electric Range)
- J. Broil Element (For Gas Range)
- K. Bake Element (For Gas Range)
- L. Bake Element (For Electric Range)



A. Ceran Elements (For Electric Range)

Notes

Section 4: Component Access

This section provides service parts access, removal, and replacement instructions for the “Whirlpool®, Maytag®, Amana®, and IKEA® Ranges.”

- Removing the cooktop
- Removing the Ceran element
- Removing the ACU/HMI module
 - Rear-control Models
 - Front-control Models (Electric or Gas)
- Removing the Infinite switches/Burner controls
- Accessing the Oven components
 - Electric
 - Gas

Removing the Cooktop

⚠ WARNING



Electrical Shock Hazard
Disconnect power before servicing.
Replace all parts and panels before operating.
Failure to do so can result in death or electrical shock.

1. Remove oven door for easier access to cooktop fasteners (refer to U&CG for instructions).



2. Remove the two (2) Phillips head screws from under the front of the cooktop.



3. Lift up front and pull cooktop out.



4. Set cooktop glass aside. You now have access to the Ceran cooktop elements.



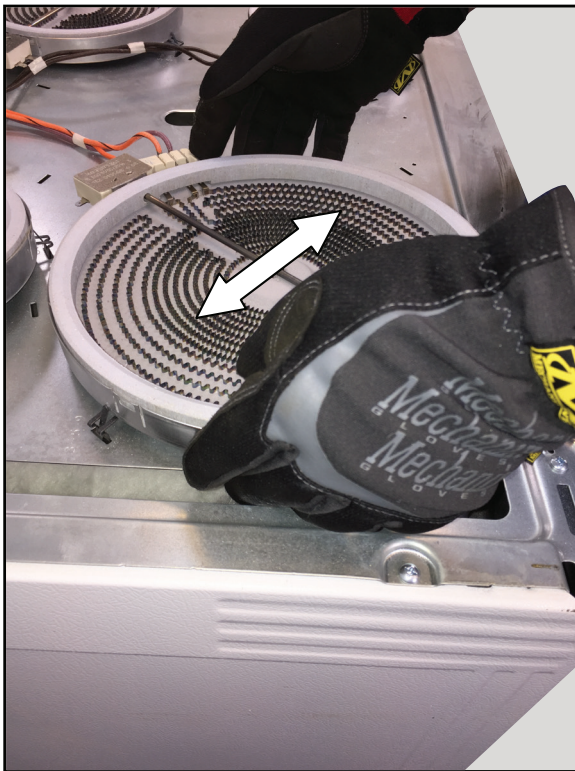
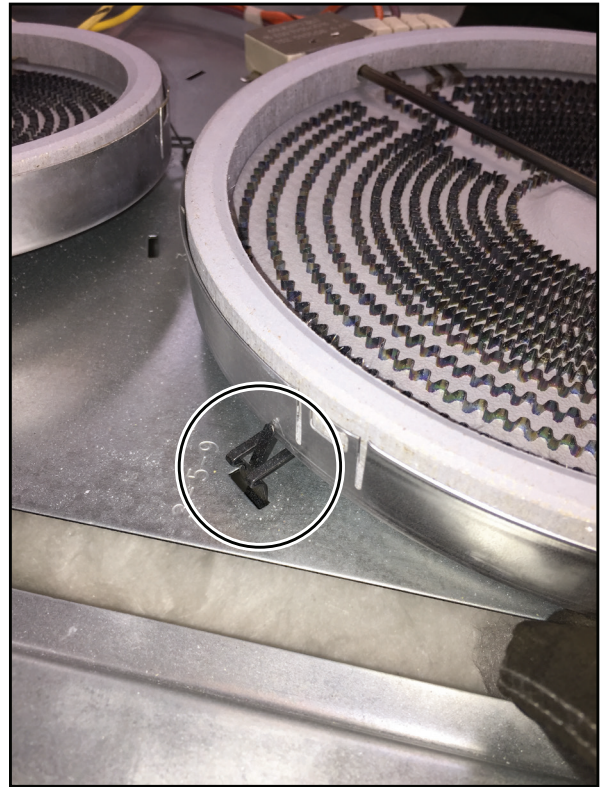
Removing the Ceran Element

⚠ WARNING



Electrical Shock Hazard
Disconnect power before servicing.
Replace all parts and panels before operating.
Failure to do so can result in death or electrical shock.

1. Gently move the element from side to side while pulling up until one clip is free, then remove other side and lift away.
NOTE: Take note of clip's hole position before removing to avoid confusion with multiple holes configurations.



Removing the ACU/HMI Module (Rear-control Models)

⚠ WARNING



Electrical Shock Hazard

Disconnect power before servicing.
 Replace all parts and panels before operating.
 Failure to do so can result in death or electrical shock.

1. Remove ten (10) Phillips head screws from the top back panel.



2. Remove top back panel and set aside.



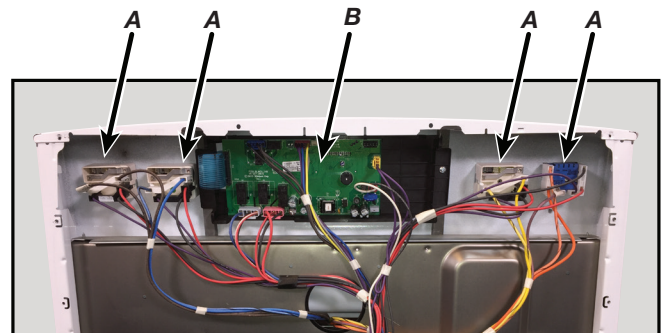
⚠ WARNING

Excessive Weight Hazard

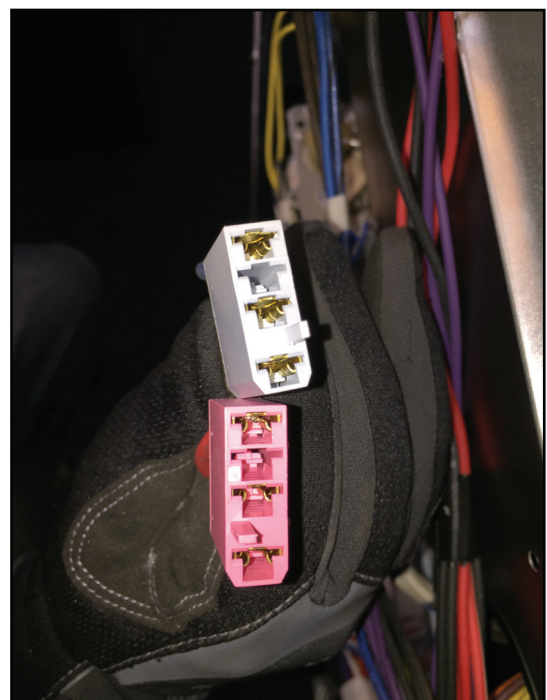
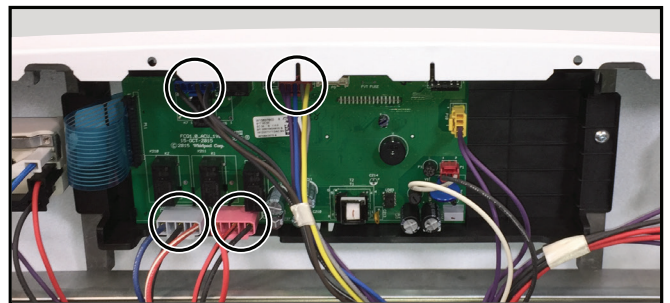
Use two or more people to move and install oven.
 Failure to do so can result in back or other injury.

You now have access to the following components:

- A. Infinite switches/Burner controls
- B. ACU/HMI module



3. Unplug connectors from ACU/HMI module.



Accessing the ACU/HMI Module (Front-control Models Electric/Gas)

WARNING

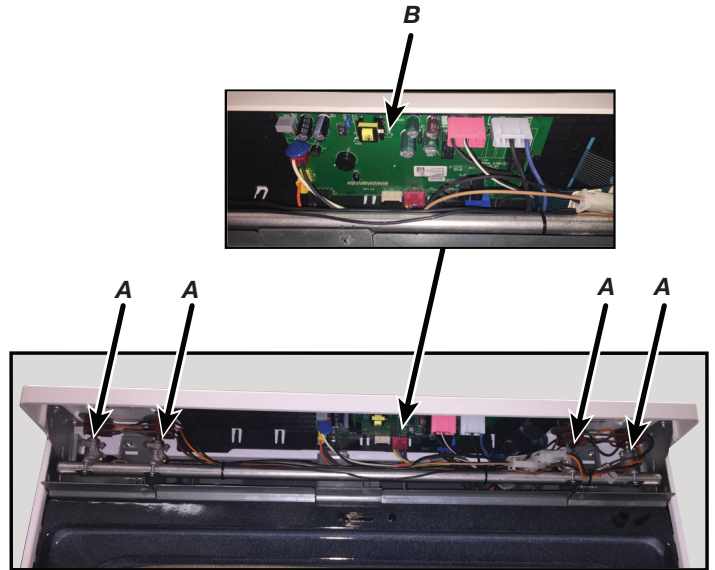


Electrical Shock Hazard
Disconnect power before servicing.
Replace all parts and panels before operating.
Failure to do so can result in death or electrical shock.

1. Remove three (3) Phillips mounting screws from the front console and place aside.



2. You now have access to the following components:
 - A. Infinite switches/Burner Valves
 - B. ACU/HMI module



†*Torx is a registered trademark of Acument Intellectual Properties, LLC.

Removing the Infinite Switches/Burner Controls (Electric)

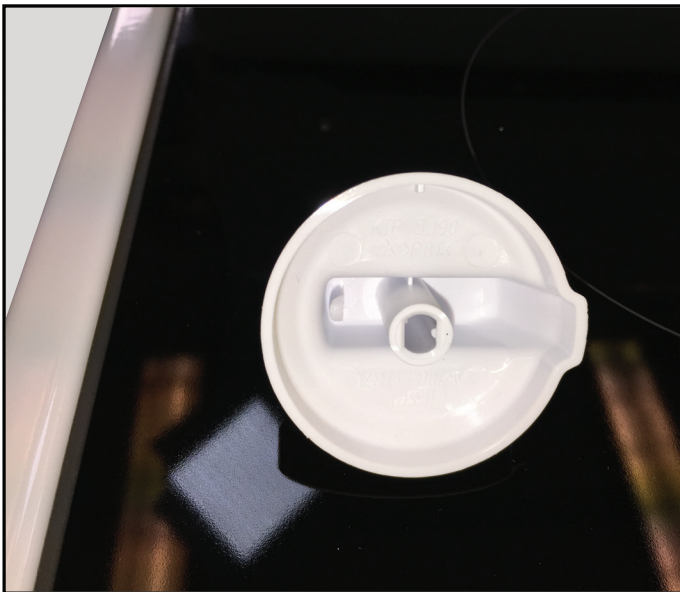
⚠ WARNING



Electrical Shock Hazard

**Disconnect power before servicing.
Replace all parts and panels before operating.
Failure to do so can result in death or electrical shock.**

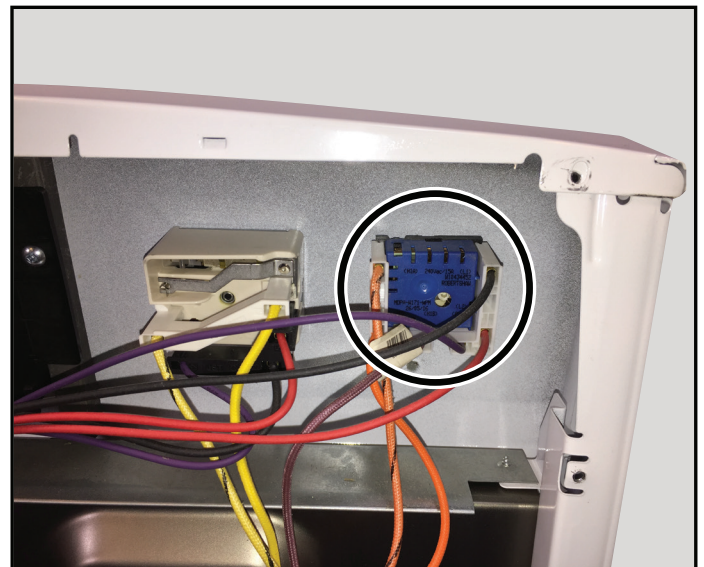
1. Remove the control knob from the front of the console and place aside.



2. Remove the two (2) Phillips head mounting screws from each burner control.



3. Unplug and replace the infinite switch.



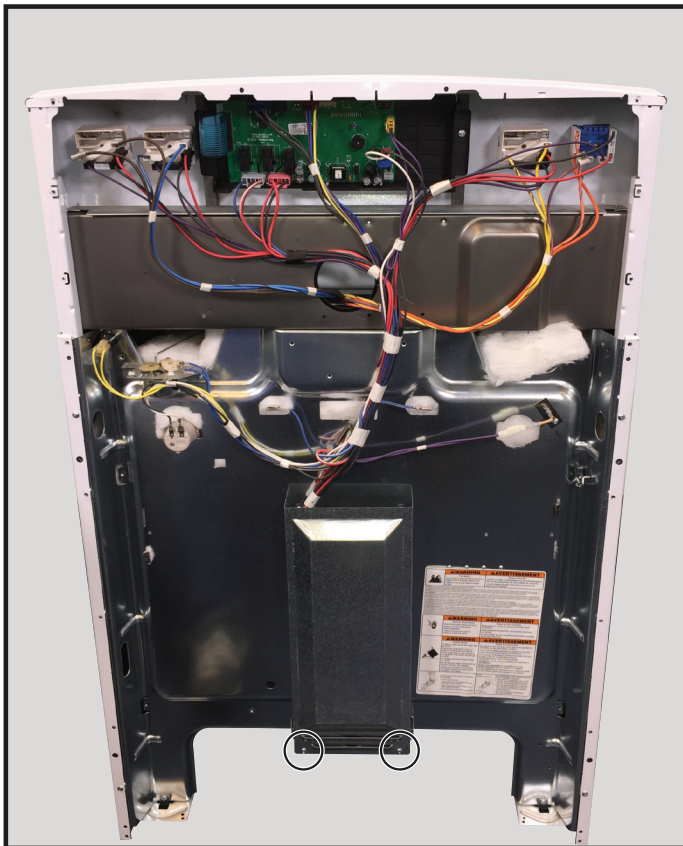
Accessing the Oven Components (Electric)

⚠ WARNING

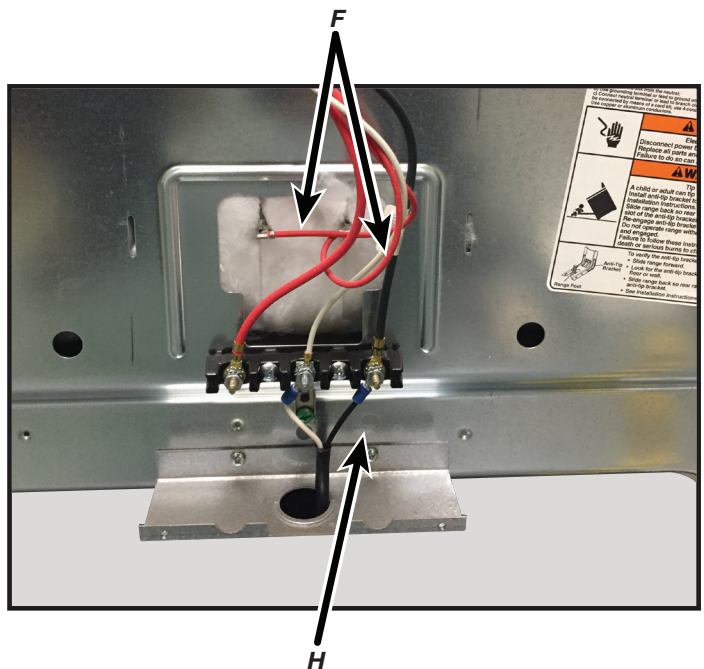
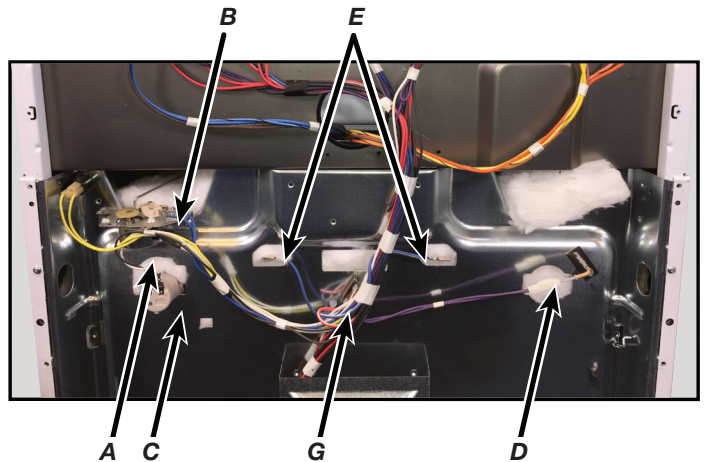


Electrical Shock Hazard
Disconnect power before servicing.
Replace all parts and panels before operating.
Failure to do so can result in death or electrical shock.

1. Remove two (2) Phillips head screws from bottom power panel.



2. You now have access to the following components:
 - A. Door-latch motor
 - B. Door-latch switch
 - C. Oven light
 - D. Oven Temp Sensor
 - E. Broil element
 - F. Bake element
 - G. Thermal Fuse
 - H. AC Input Terminal Block



Accessing the Oven Components (Gas)

⚠ WARNING



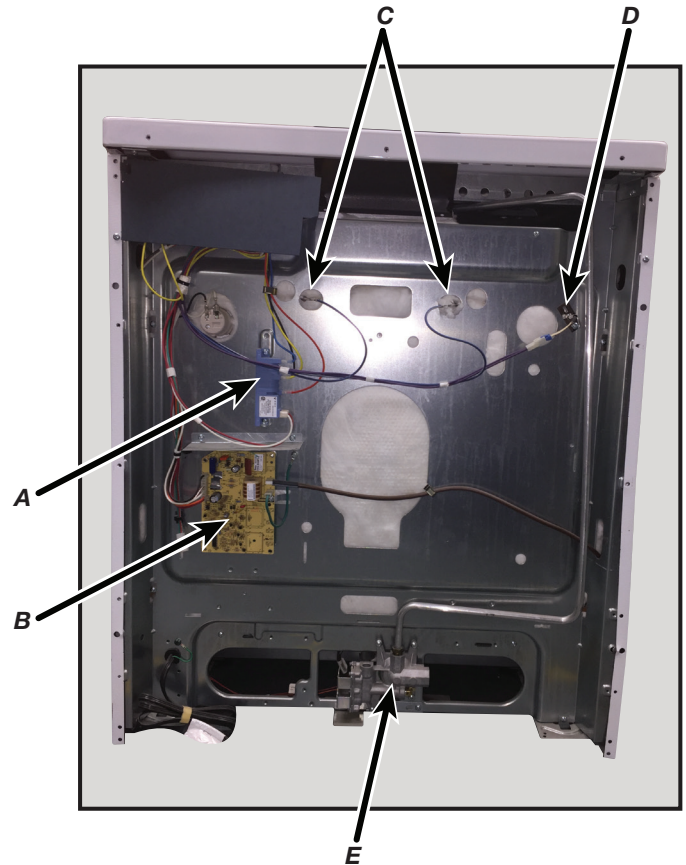
Electrical Shock Hazard

Disconnect power before servicing.
Replace all parts and panels before operating.
Failure to do so can result in death or electrical shock.

1. Remove six (6) Phillips head screws from the back panel.



2. Remove back panel and set aside. You now have access to the following components:
 - A. Spark Module (Cooktop)
 - B. Spark Module (Oven - DSI)
 - C. Broil Element
 - D. Oven-temp Sensor
 - E. Gas Valve/Regulator



PRODUCT SPECIFICATIONS & WARRANTY INFORMATION SOURCES

IN THE UNITED STATES:

FOR PRODUCT SPECIFICATIONS AND WARRANTY INFORMATION CALL:

FOR WHIRLPOOL PRODUCTS: 1-800-253-1301

FOR TECHNICAL ASSISTANCE WHILE AT THE CUSTOMER'S HOME CALL:

THE TECHNICAL ASSISTANCE LINE: 1-800-832-7174

**HAVE YOUR STORE NUMBER READY TO IDENTIFY YOU AS AN
AUTHORIZED IN-HOME SERVICE PROFESSIONAL**

FOR LITERATURE ORDERS (CUSTOMER EXPERIENCE CENTER):

PHONE: 1-800-851-4605

FOR TECHNICAL INFORMATION AND SERVICE POINTERS:

www.servicematters.com

IN CANADA:

FOR PRODUCT SPECIFICATIONS AND WARRANTY INFORMATION CALL

1-800-461-5681

FOR TECHNICAL ASSISTANCE WHILE AT THE CUSTOMER'S HOME CALL:

THE TECHNICAL ASSISTANCE LINE: 1-800-488-4791

**HAVE YOUR STORE NUMBER READY TO IDENTIFY YOU AS AN
AUTHORIZED IN-HOME SERVICE PROFESSIONAL**

**Whirlpool[®], Maytag[®],
Amana[®], & IKEA[®]
Ranges**

W11174426 Rev B