



AS41SYS

ACOUSTIC LANDSCAPE™ SYSTEM

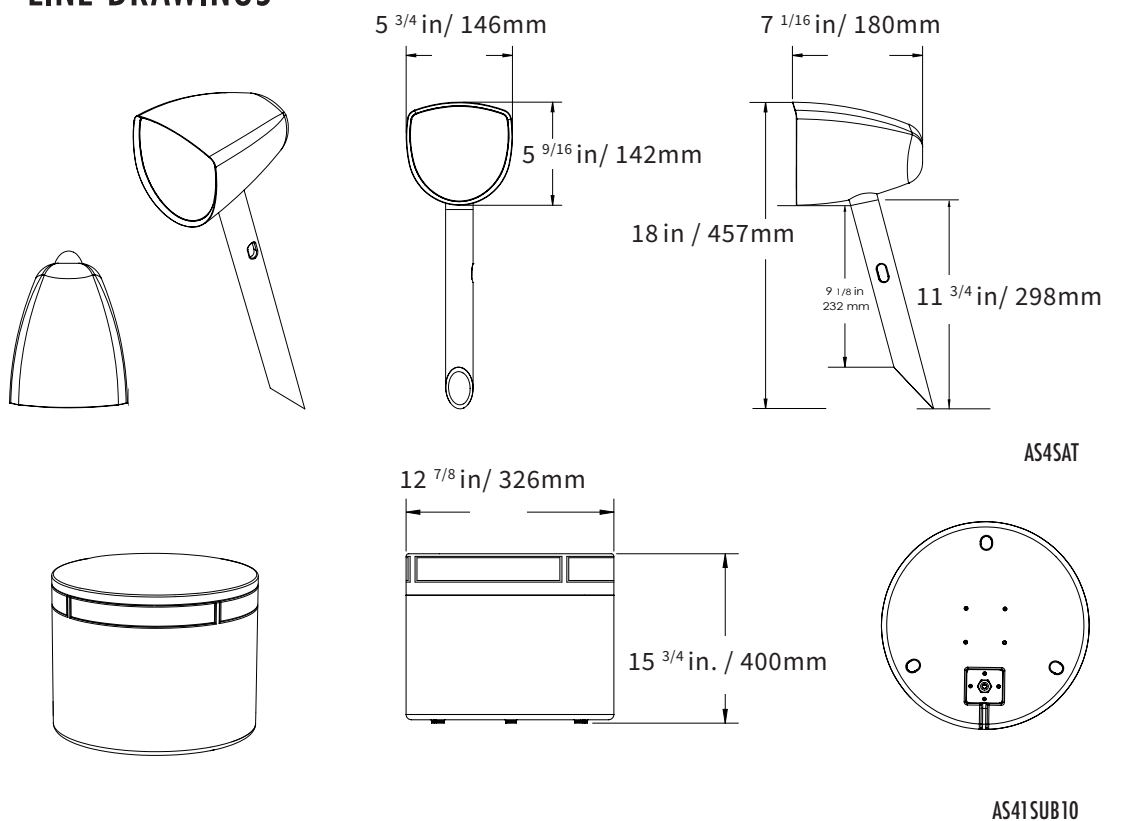
OVERVIEW

The Acoustic Landscape™ AS41 Hi-Fi Landscape Audio System brings stunning surround sound to the backyard with four 4^{1/2}" camouflage enclosed two-way satellite speakers and a bass-boosting 10" in-ground/hardscape subwoofer.

PRODUCT ID



LINE DRAWINGS





AS41SYS ACOUSTIC LANDSCAPE™ SYSTEM

SPECIFICATIONS	AS41SYS	AS4SAT EXPANSION PACK
Description	4 x Landscape Satellite Speakers / 1 x Subwoofer	2 x Two-Way Landscape Satellite Speakers
Part	AS4100SYS	AS4000SAT
Crossover	100 Hz (System)	-
Crossover Point	2.5 kHz (System)	-
Nominal Impedance	4-8 ohms (System)	-
Frequency Response	35Hz - 20kHz (±3 dB) (System)	-
Power Handling	120W (Program) / 240W (Peak)	-
Sensitivity (1W/1m)	87dB	-
Enclosure Rating	IPX6 Waterproof	-
Coverage	1,500 Sq Ft with 4 Satellites Upto 2,500 Sq Ft with 8 Satellites	-
Included Accessories	In-Ground Mounting Stakes: 4 x 11 ^{3/4} " (298mm)	In-Ground Mounting Stakes: 2 x 11 ^{3/4} " H (298mm)

SPECIFICATIONS	A4SAT SATELLITE SPEAKER	AS41SUB10 SUBWOOFER
Description	Two-Way Landscape Satellite Speaker	Burial/ Hardscape Subwoofer
Part	AS4SAT	AS41SUB10
Woofers	4 ^{1/2} " (114mm) Injection Molded Polypropylene	10" Dual Voice Coil (Polypropylene)
Tweeter	3/4" (19mm) PEI Mylar	-
Nominal Impedance	32 ohms (Satellites)	8 ohms per Voice Coil (Subwoofer)
Frequency Response	90Hz - 20kHz (±10 dB)	35 Hz to 150 Hz (±10 dB)
Dimensions	Satellite: 5 ^{3/4} " W X 5 ^{9/16} " H X 7 ^{1/16} " L (146 x 142 x 180mm) Height with In-Ground Stake: 18" (457mm)	Subwoofer: 12 ^{7/8} " X 15 ^{3/4} " (326 x 400mm)
Weight	3lb (1.3kg)	23.5lb (10.65kg)
Coverage	70 degrees up to 20'	Up to 2,500 Sq Ft with 8 Satellites
Material	Enclosure: Color-molded Composite Baffle: UV treated HDPE Grille: Electroplated & Powder Coated Steel	Enclosure: Polycomposite PVC Mounting: In-Ground Burial Installation for Soil with Good Drainage or Hardscape surface mount

Please see originacoustics.com for most the most updated information concerning these specifications. Products may only be purchased through an authorized integration partner.