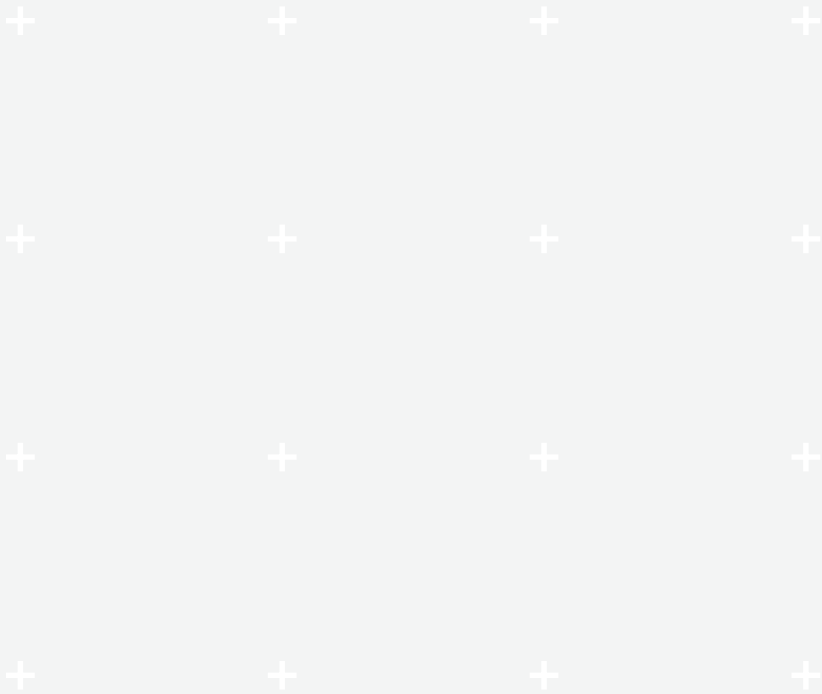


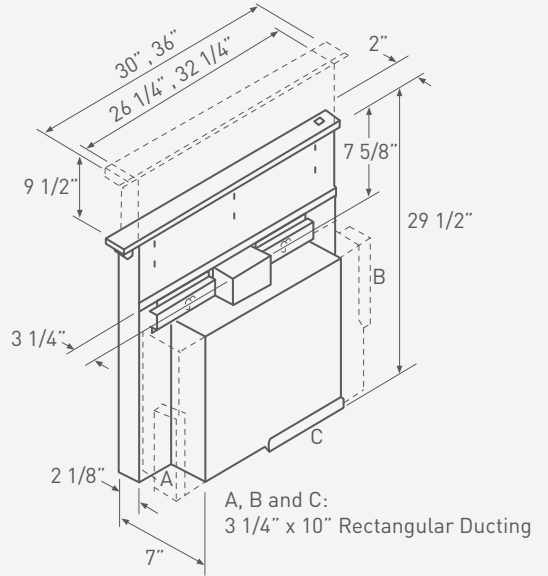
# SORRENTO



Ideal for small kitchens or for island settings where ceilings are too high for ducting, Sorrento rises to the occasion. The brushed stainless steel filter unit houses quiet, efficient centrifugal blowers. An automatic heat sensor adjusts blowers in high-heat conditions. Optional 30" and 36" widths accommodate most cooktops and standard cabinetry.



# ESSENTIALS



## SORRENTO

DOWNDRAFT

MODEL	DD1-E30AS	DD1-E36AS
<b>SIZE</b>	30"	36"
<b>NET WIDTH</b>	30"	36"
<b>PERFORMANCE</b>		
Internal Blower	500 CFM	500 CFM
Internal Blower Sones	NA	NA
<b>COLOR</b>		
Stainless Steel	SS	SS
<b>FEATURES</b>		
Controls	Control Knob	Control Knob
Speed Levels	Infinite	Infinite
Auto Delay-Off (when air vent is lowered)	Yes	Yes
*Automatic Heat Sensor	Yes	Yes
Filters	Decorative Mesh x 2	Decorative Mesh x 2
<b>DUCT SPECIFICATIONS</b>		
Internal Blower (left, right or bottom)	3-1/4" x 10"	3-1/4" x 10"
<b>AC INPUT</b>	120V - 60Hz	120V - 60Hz
<b>AC POWER</b>	480W, 4 Amps	480W, 4 Amps
<b>OPTIONAL ACCESSORIES</b>		
Remote Up/Down Control	DDA-0001	DDA-0001
<b>Mounting Heights</b>	Total rise 9 1/2"	Total rise 9 1/2"



\*Automatic heat sensor adjusts speed of blower to high in case of excess heat.  
Note: Not for use with built-in-ovens

