
INSTALLATION INSTRUCTIONS UNDERCOUNTER DISHWASHER

Table of Contents.....2
Índice22
Table des matières.....42

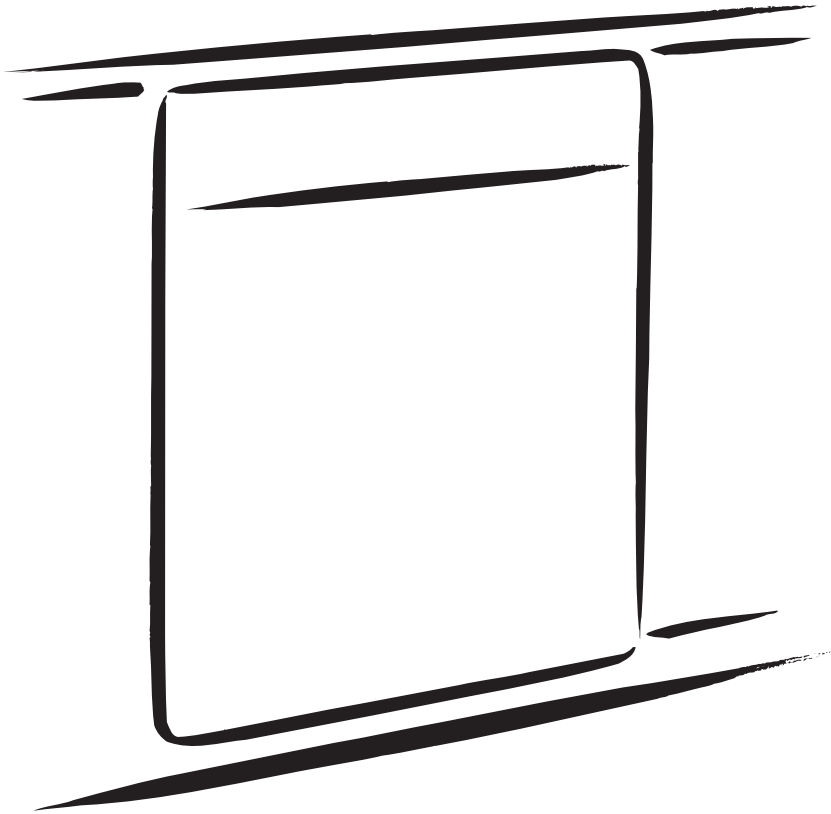


TABLE OF CONTENTS

DISHWASHER SAFETY	3	Prepare Dishwasher.....	10
INSTALLATION REQUIREMENTS.....	4	Remove Bent Access panel.....	11
Tools and Parts	4	Connect Elbow to Valve.....	11
18" Product and Cabinet Opening Dimensions:.....	6	Connect fill hose to elbow	12
24" Product and Cabinet Opening Dimensions:.....	7	Power Cord Connection	12
Location Requirements.....	8	Utility Routing Channel Location	13
Drain Requirements	8	Choose Anchor Attachment Method	14
Water Supply Requirements	8	Direct Wire Electrical Connection	17
Electrical Requirements.....	8	Connect Water Line to House Shutoff Valve.....	18
INSTALLATION INSTRUCTIONS.....	9	Connect Drain Hose	18
Prepare Cabinet Opening—New Utilities.....	9	Complete Installation	20
Moisture Barrier - Recommended For		Reinstall Access Panel.....	20
Wood Countertops.....	9	Check Operation.....	21
Direct Wire Routing.....	10	If Dishwasher Does Not Operate	21
		Additional Tips	21

DISHWASHER SAFETY

Your safety and the safety of others are very important.

We have provided many important safety messages in this manual and on your appliance. Always read and obey all safety messages.



This is the safety alert symbol.

This symbol alerts you to potential hazards that can kill or hurt you and others.

All safety messages will follow the safety alert symbol and either the word “DANGER” or “WARNING.”

These words mean:

⚠ DANGER

You can be killed or seriously injured if you don't immediately follow instructions.

⚠ WARNING

You can be killed or seriously injured if you don't follow instructions.

All safety messages will tell you what the potential hazard is, tell you how to reduce the chance of injury, and tell you what can happen if the instructions are not followed.

⚠ WARNING



Tip Over Hazard

Do not use dishwasher until completely installed.

Do not push down on open door.

Doing so can result in serious injury or cuts.

You Need to:

- Slowly open dishwasher door while someone grasps the rear of the dishwasher. Remove shipping materials and drain hose. Close dishwasher door until latched.

NOTE: Each dishwasher is tested at the factory and may contain some residual water in the tub as a result of the test.

- Observe all governing codes and ordinances.
- Install this dishwasher as specified in these instructions.
- Installation should be performed by a qualified service technician.
- The dishwasher must be installed to meet all electrical and plumbing national and local codes and ordinances.

Care shall be exercised when the appliance is installed or removed, to reduce the likelihood of damage to the power cord.

WARNING: To reduce the risk of electric shock, fire, or injury to persons, the installer must ensure that the dishwasher is completely enclosed at the time of installation.

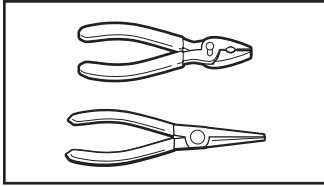
INSTALLATION REQUIREMENTS

TOOLS AND PARTS

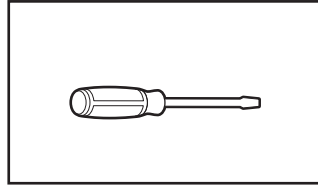
Gather the recommended tools and parts before starting installation. Read and follow the instructions provided with the tools listed here.

All Installations

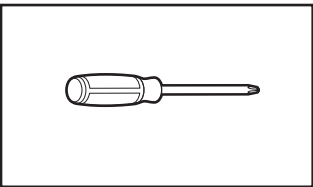
Tools Needed:



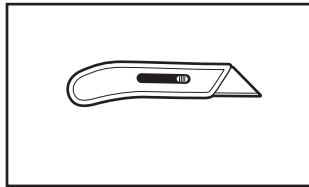
Pliers



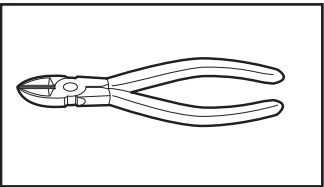
Flat-blade screwdriver



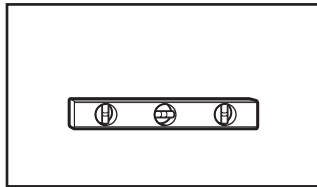
Phillips screwdriver



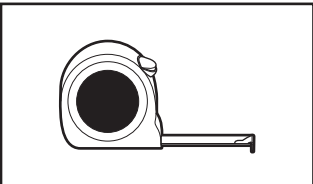
Utility knife



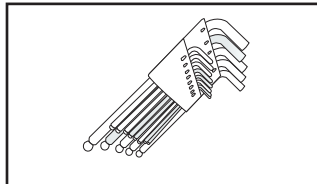
Nipper



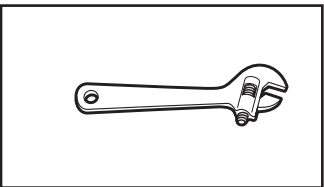
Small level



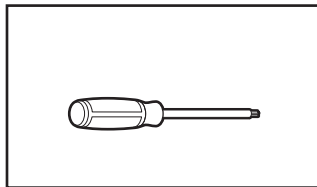
Measuring tape or ruler



Hex L-wrenches

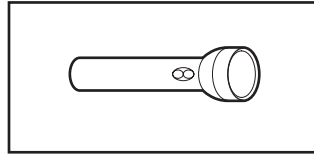


10" adjustable wrench that opens to 1⁷/₈" (29 mm)

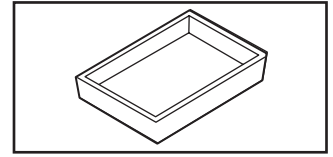


Torx† T20 screwdriver

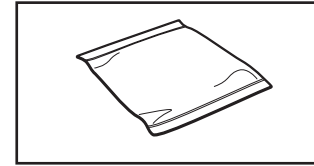
Other Useful Items You May Need:



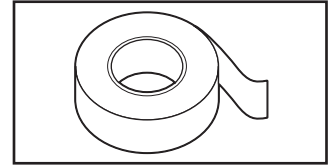
Flashlight



Shallow pan



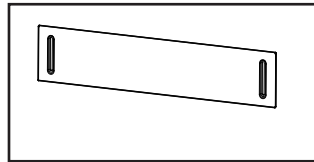
Bath towel



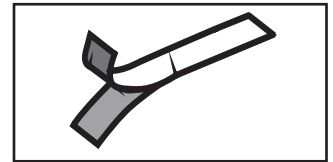
Masking, electrical, or duct tape

Parts Supplied:

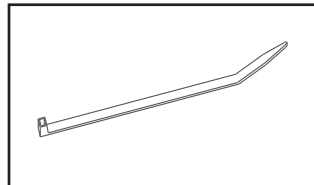
Provided with the dishwasher. Check when you unbox the dishwasher.



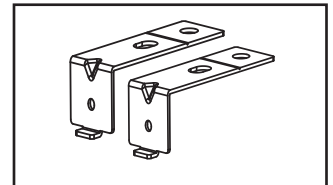
Flat access panel



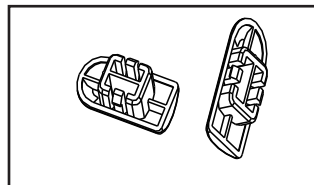
Moisture barrier strip



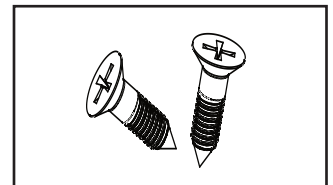
Cable tie (for drain hose)



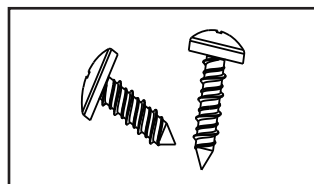
Undercounter mounting brackets (2)



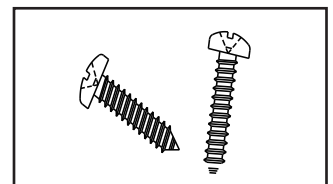
Adjustment cap (2)



ST4 x 14 (2) (for installation bracket)



ST3.9 x 9 (2) (for installation bracket)

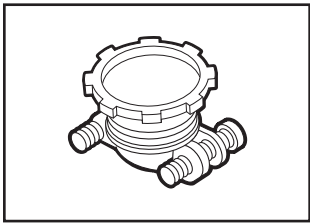


ST3.9 x 13 (2) (for kick plate)

Make sure all parts are included in the literature package. If parts are not included, call us at our toll-free number or visit our website listed in the User Guide.

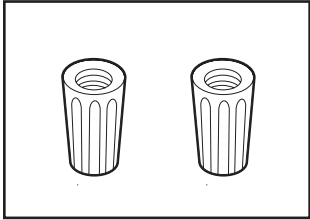
†TORX and T20 are trademarks of Acument Intellectual Properties, LLC.

Other Parts Needed (not provided):



Household Wiring (Metallic) Strain Relief
to fit 7/8" (22 mm) hole
(required to properly secure
household wiring to the
dishwasher terminal box)
(Whirlpool Part
Number 4396672)

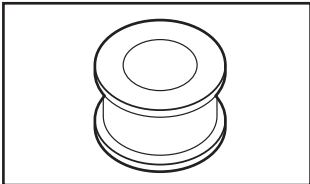
NOTE: Use only UL Listed/
CSA Approved part.



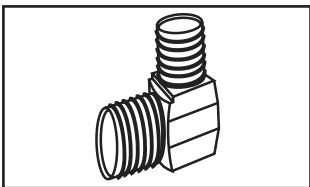
Twist-On Wire Connectors

NOTES:

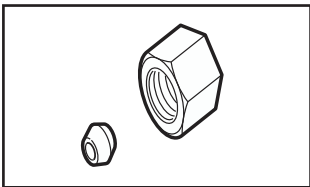
- Confirm proper size for connecting your gauge of household wiring to the 16-gauge wiring in the dishwasher.
- Use only UL Listed/CSA Approved parts.



TEFLON^{®†} Tape or Sealing Compound

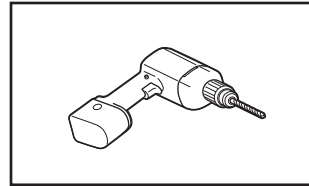


90° elbow

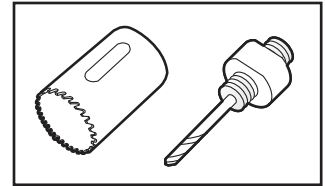


Tube fittings
(for copper tubing)

Call us at our toll-free number, visit our website listed in the User Guide for part numbers above, or see local electrical/plumbing supply retailer for equivalent.

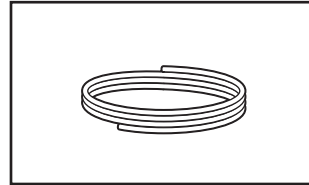


Cordless drill

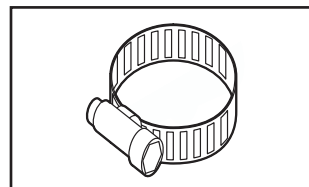


1/2" (12.7 mm), 3/4" (19 mm), and 1 1/2" (38 mm) hole saw bits

Additional Parts Needed (not provided):



Copper Tubing (3/8" O.D. suggested) or Flexible Braided Water Supply Line Kit (Whirlpool Part Number W10278635RP). Kit includes braided hose and 3/8" compression x 3/4" hose fitting.

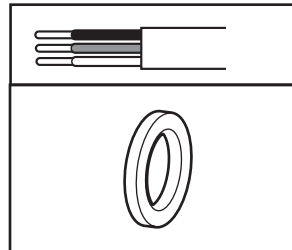


Hose Clamps 1 1/2" - 2" (38-50 mm) (3 maximum)

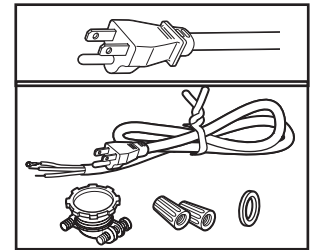
Call us at our toll-free number, visit our website listed in the User Guide for part numbers above, or see local plumbing supply retailer for equivalent.

NOTE: If using a flexible braided hose, replace inlet hose after 5 years to reduce the risk of hose failure. Record hose installation or replacement dates on the hose for future reference.

For Direct Wire



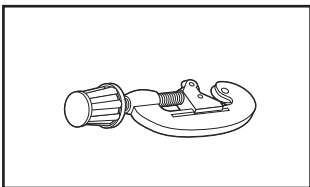
For Power Cord



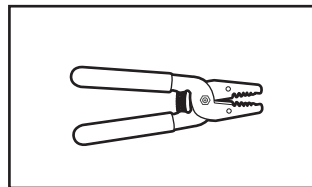
First-Time Installations

Check local codes. Check existing electrical supply. See the "Electrical Requirements" section. It is recommended that electrical connections be made by a licensed electrical installer.

Additional Tools Needed:



Small tubing cutter



Wire stripper

Cabinet Grommet

For 1 1/2" (38 mm) hole in cabinet. (Whirlpool Part Number 302797)

NOTE: Required for metal cabinets

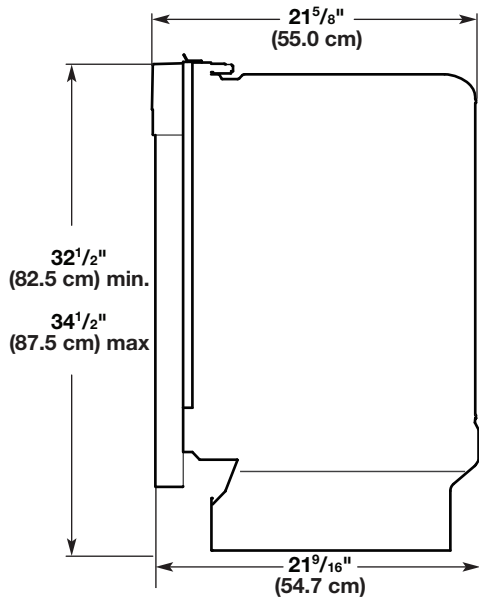
Power Cord Kit

Kit typically includes power cord, metallic strain relief, grommet, and twist-on wire connectors. (Whirlpool Part Number 4317824)

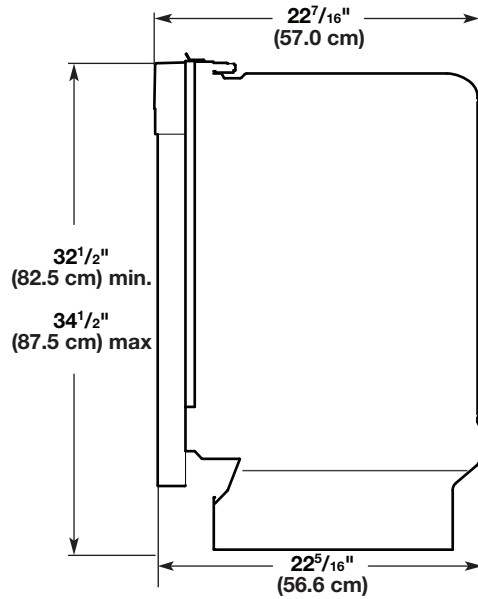
Call us at our toll-free number, visit our website listed in the User Guide for part numbers above, or see local electrical supply retailer for equivalent.

†TEFLON is a registered trademark of Chemours.

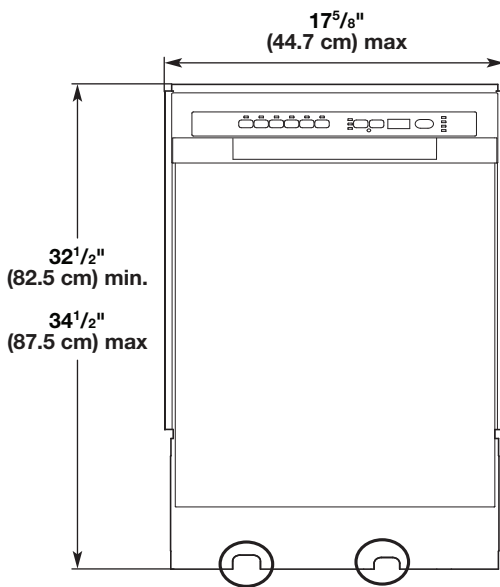
18" PRODUCT AND CABINET OPENING DIMENSIONS:



Side View 18" Custom Wood Panel

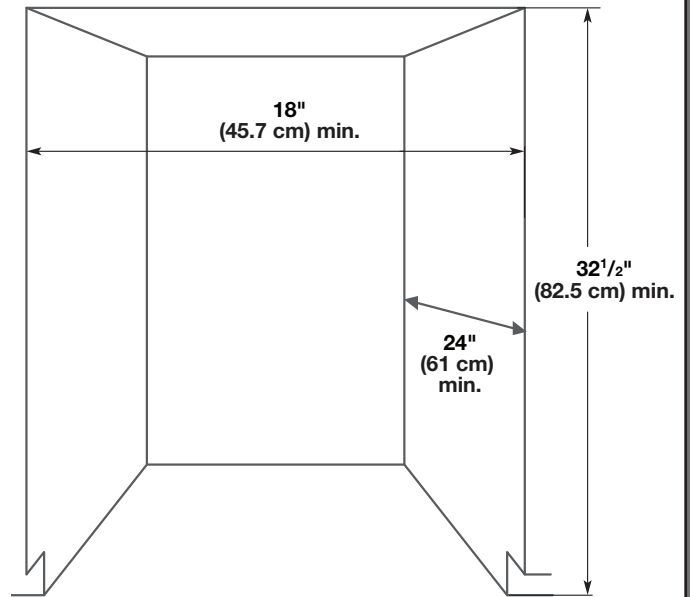


Side View 18" Metal Door Panel



Front View

NOTE: Route the water supply line and power cable through the channels provided under the dishwasher (circled above).



Cutout Dimensions

Underside of countertop to floor

The enclosure must be at least 18" (45.7 cm) wide, 24" (61 cm) deep, and 32½" (82.5 cm) high.

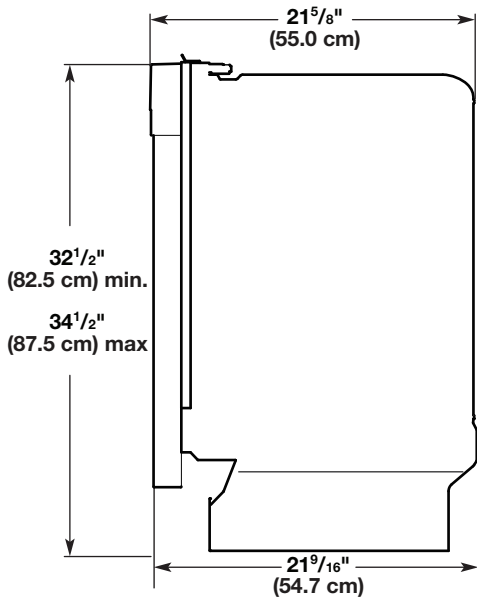
For the front door of the dishwasher to be flush with the leading edge of the counter top, the counter top must be at least 24" (61 cm) deep.

This dishwasher is designed to be enclosed on the top and on both sides by a standard residential kitchen cabinet unit.

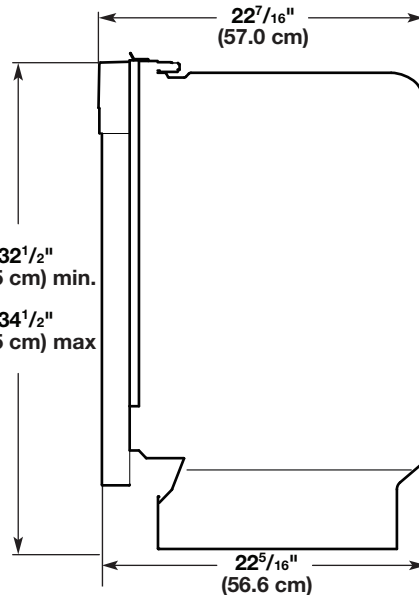
The installation enclosure must be clean and free of any obstructions.

NOTE: ADA installation, 32½" (82.5 cm) beneath 34" (86.4 cm) high countertops may be accomplished by adjusting the toekick and leveling legs.

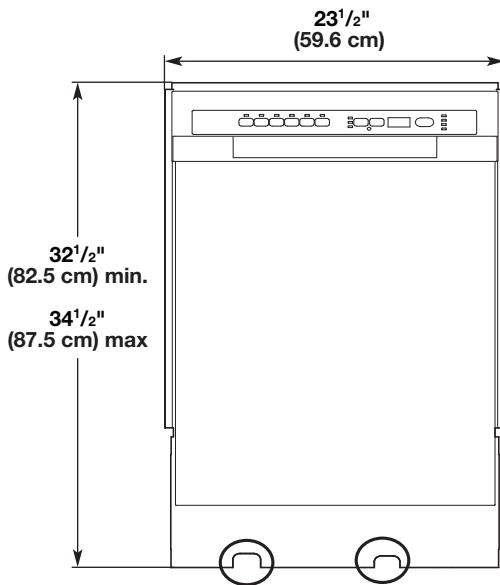
24" PRODUCT AND CABINET OPENING DIMENSIONS:



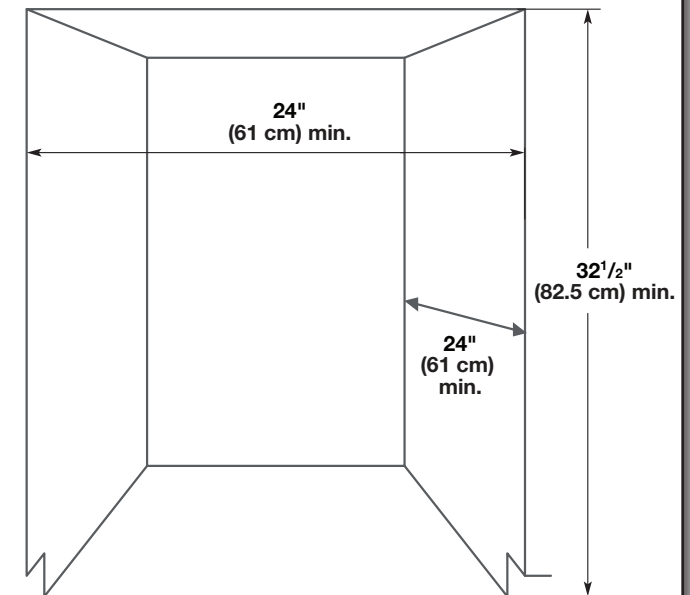
Side View 24" Custom Wood Panel



Side View 24" Metal Door Panel



Front View



Cutout Dimensions

NOTE: Route the water supply line and power cable through the channels provided under the dishwasher (circled above).

Underside of countertop to floor

The enclosure must be at least 24" (61 cm) wide, 24" (61 cm) deep, and 32¹/₂" (82.5 cm) high.

For the front door of the dishwasher to be flush with the leading edge of the counter top, the counter top must be at least 24" (61 cm) deep.

This dishwasher is designed to be enclosed on the top and on both sides by a standard residential kitchen cabinet unit. The installation enclosure must be clean and free of any obstructions.

NOTE: ADA installation, 32¹/₂" (82.5 cm) beneath 34" (86.4 cm) high countertops may be accomplished by adjusting the toe kick and leveling legs.

LOCATION REQUIREMENTS

Do not run drain lines, water lines or electrical wiring where they can interfere with or contact dishwasher motors or legs.

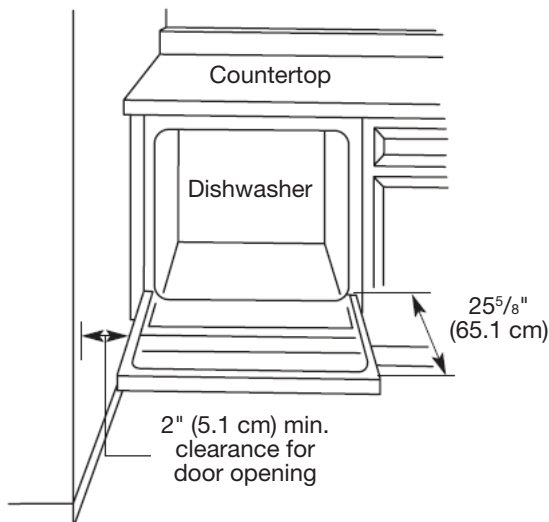
The dishwasher installation location must provide clearance between motors and flooring. Motors should not touch the floor.

Do not install dishwasher over carpeted flooring.

Protect dishwasher and the water lines leading to dishwasher against freezing. Damage from freezing is not covered by the warranty.

Check dishwasher installation location. The location must provide:

- Easy access to water, electricity, and drain.
- Convenient access for loading and unloading dishes. Corner locations require a 2" (5 cm) minimum clearance between the side of the dishwasher door and the wall or cabinet.



- Full enclosure on both sides, back, and top.
- Square opening for proper operation and appearance.
- Cabinet front perpendicular to floor.
- Level floor. (If floor at front of opening is not level with floor at rear of opening, shims may be needed to level dishwasher.)

NOTE: To prevent shifting during dishwasher operation, shims must be securely attached to the floor.

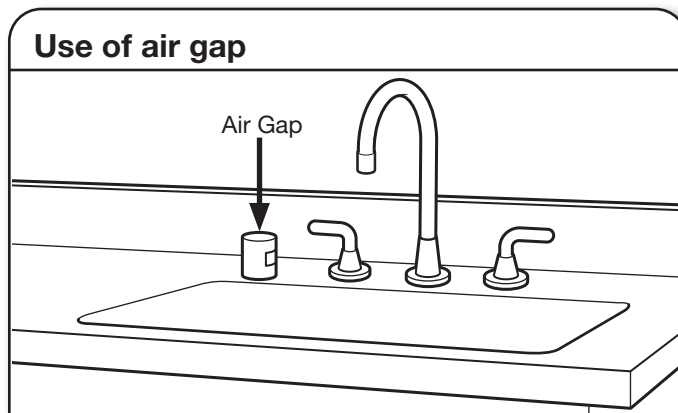
If dishwasher will be left unused for a period of time or in a location where it may be subject to freezing, have it winterized by authorized service personnel.

Make sure pipes, wires, and drain hose are within the area shown in the "Cutout dimensions" section.

Helpful Tip: If the floor in the dishwasher opening is uneven, (example: tile flooring only partway into opening) you will need to take special care in measuring dimensions and in leveling dishwasher.

DRAIN REQUIREMENTS

- Use the new drain hose supplied with your dishwasher. If this is not long enough, use a new drain hose with a maximum length of 9.8 ft (3 m) from the sink that meets all current AHAM/IAPMO test standards, is resistant to heat and detergent.
- Connect drain hose to waste tee or disposer inlet above the drain trap in the house plumbing and 20" (50.8 cm) minimum above the floor. It is recommended that the drain hose be either looped up and securely fastened to the underside of the counter, or be connected to an air gap.
- Use an air gap if the drain hose is connected to house plumbing lower than 18" (45.7 cm) above the floor.



- Use 1/2" (1.3 cm) minimum I.D. drain line fittings.

WATER SUPPLY REQUIREMENTS

- This dishwasher has a water heating feature and also requires a connection to a hot water supply line.
- A hot water line with 20-120 psi (138-862 kPa) water pressure.
- 120°F (49°C) water at dishwasher.
- 3/8" (9.5 mm) O.D. copper tubing with compression fitting or flexible stainless steel braided fill line (1/2" minimum plastic tubing is not recommended).
- A 90° elbow with 3/8" (9.5 mm) N.P.T. external pipe threads on one end.

NOTE: Do not solder within 6" (15.2 cm) from fill valve.

ELECTRICAL REQUIREMENTS

Contact a qualified electrician.

Assure that the electrical installation is adequate and in conformance with all national and local codes and ordinances.

You must have:

- 120 V, 60 Hz, AC only, 15 or 20 A, fused electrical supply.
- Wiring must be 2 wire with ground.

We recommend:

- A time-delay fuse or circuit breaker.
- A separate circuit.

If direct wiring dishwasher:

- Use flexible, armored or non-metallic sheathed, copper wire with grounding wire that meets the wiring requirements for your home and local codes and ordinances.

If connecting dishwasher with a power supply cord:

- Use Power Supply Cord Kit (Part No. 4317824) marked for use with dishwashers. Kit contents include:
 - UL listed 16 gauge 3 wire power supply cord with 3 prong grounded plug.
 - Neer C-500 7/8" (2.2 cm) strain relief.
 - 3 wire connectors.
 - Part No. 302797 grommet.

Follow the kit instructions for installing the power supply cord.

- Power supply cord must plug into a mating three prong, grounded outlet, located in the cabinet next to the dishwasher opening. Outlet must meet all local codes and ordinances.

INSTALLATION INSTRUCTIONS

⚠ WARNING



Electrical Shock Hazard

Disconnect electrical power at the fuse box or circuit breaker box before installing dishwasher.

Failure to do so can result in death or electrical shock.

1. Disconnect power

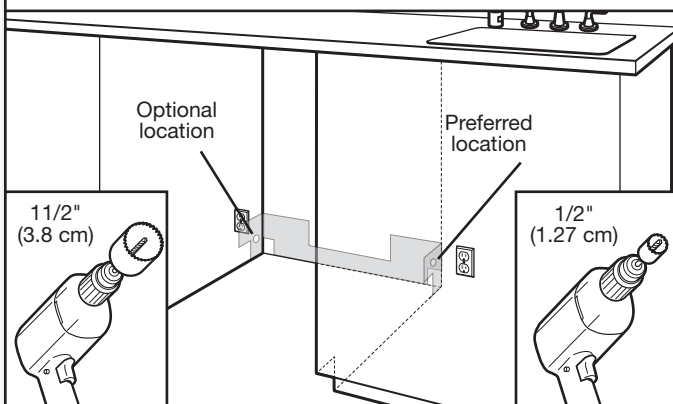
Disconnect electrical power at the fuse box or circuit breaker box before installing dishwasher.

2. Shut off water supply

Shut off the water supply to the dishwasher.

PREPARE CABINET OPENING— NEW UTILITIES

3. Drill hole locations—new construction



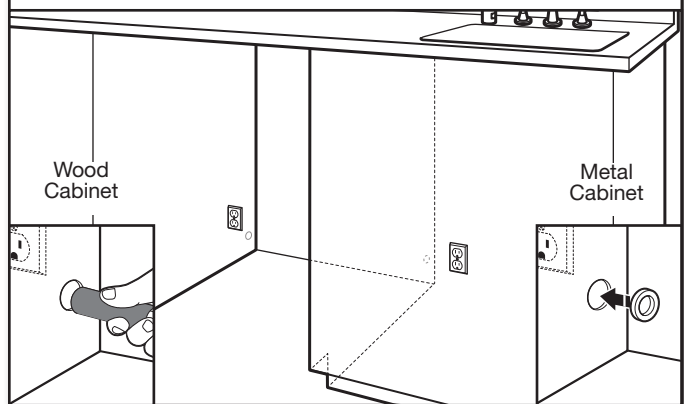
NOTE: Refer to the “Product and Cabinet Opening Dimensions” section for the correct hole placement and dimensions of the shaded area.

Drill a 1 1/2" (3.8 cm) drain hose hole in the side or rear of cabinet, depending on location of drain hose routing and drain hose connection location.

Drill a 1/2" (1.27 cm) water supply hose hole in the side or rear of cabinet, depending on location of water supply routing and connection location.

Drill a 1 1/2" (3.8 cm) electrical conduit hole in the right-hand side or rear of cabinet.

4. Sand holes smooth



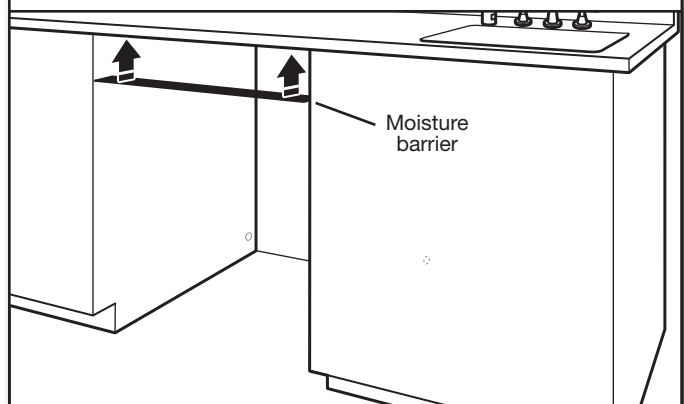
Wood cabinet: Sand the hole until smooth.

Metal cabinet: Cover edges of hole with grommet included with power cord kit. See the “Tools and Parts” section part details.

Helpful Tip: Wiring the dishwasher will be easier if you route the cable into the cabinet opening from the right-hand side.

MOISTURE BARRIER - RECOMMENDED FOR WOOD COUNTERTOPS

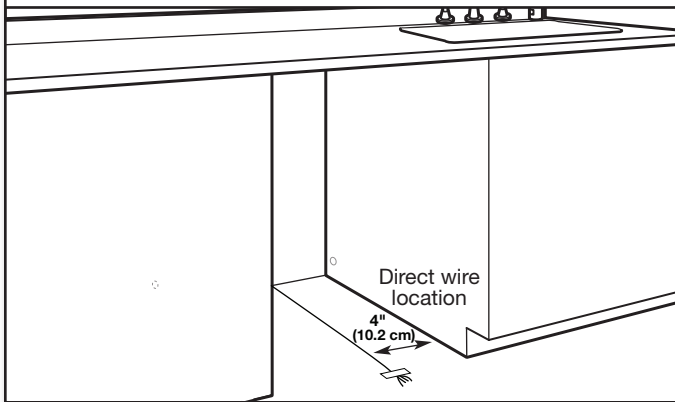
5. Moisture barrier/wood shims



Make sure the area under the cabinet is clean and dry for installation of the moisture barrier. Remove the backing of the moisture barrier, and apply to underside of the countertop along the front edge of the counter.

DIRECT WIRE ROUTING

6. Direct Wire—route cable



If direct wire, route the cable 4" (10.2 cm) from the right side of the cabinet to align with channel in the bottom of the dishwasher. Tape cable to the floor in the area shown. This will help secure the cable in place when the dishwasher is moved into the cabinet opening during direct wire connection.

PREPARE DISHWASHER

! WARNING



Tip Over Hazard

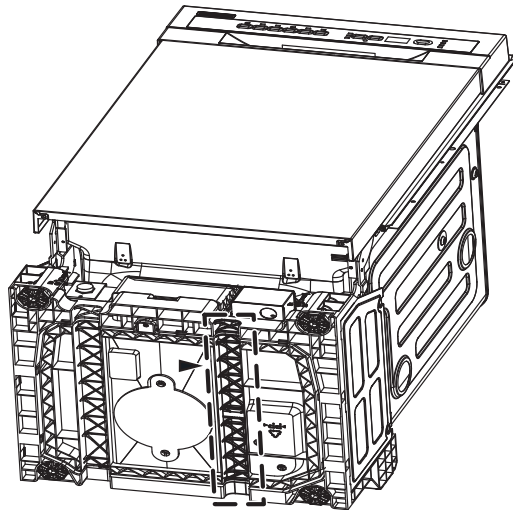
Do not use dishwasher until completely installed.
Do not push down on open door.
Doing so can result in serious injury or cuts.

! WARNING

Excessive Weight Hazard

Use two or more people to move and install dishwasher.
Failure to do so can result in back or other injury.

7. Put the dishwasher on its back



Dishwasher bottom

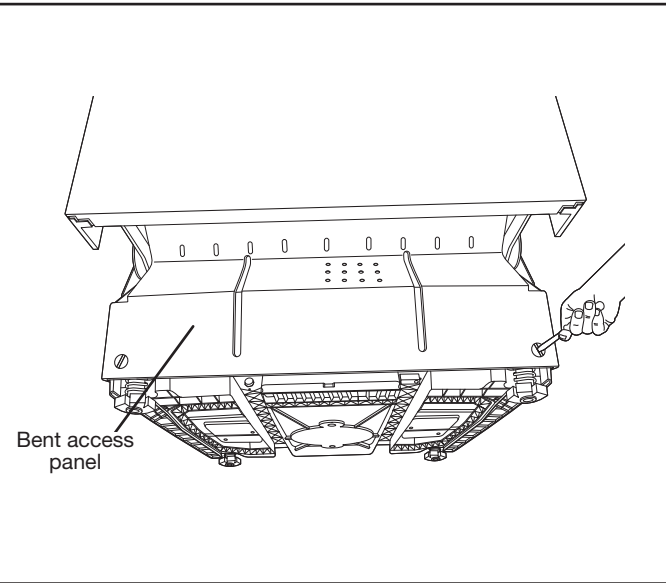
Helpful Tip: Place cardboard under dishwasher until installed in cabinet opening to avoid damaging floor covering.

Using two or more people, grasp sides of dishwasher door frame, and place the dishwasher on its back.

Do not use the door panel as a worktable without first covering it with a towel to avoid scratching the door panel.

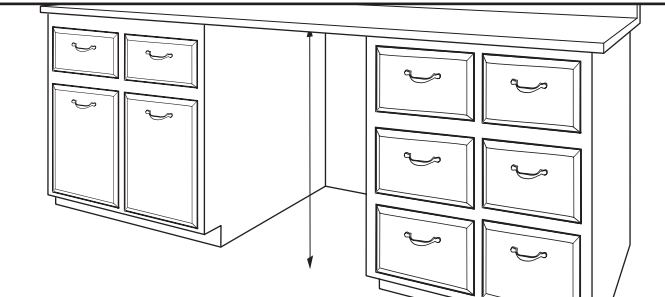
REMOVE BENT ACCESS PANEL

8. Remove bent access panel



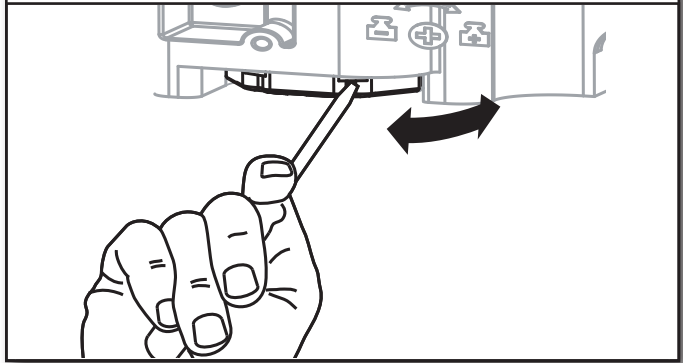
Using a Phillips screwdriver, remove the two screws attaching bent access panel to dishwasher.

9. Measure cabinet opening



Measure the height of cabinet opening from the underside of the countertop to the floor where dishwasher will be installed. Be sure to measure the lowest point on the underside of the countertop and the highest point on the floor.

10. Leveling leg adjustment

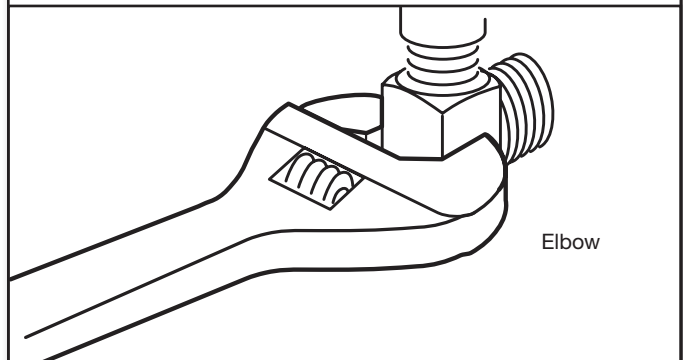


Extend leveling legs out from the dishwasher base, 1/4" (6.3 mm) less than the shortest opening height measured in cabinet opening.

Turn leg counter clockwise to raise the dishwasher or clockwise to lower the dishwasher.

CONNECT ELBOW TO VALVE

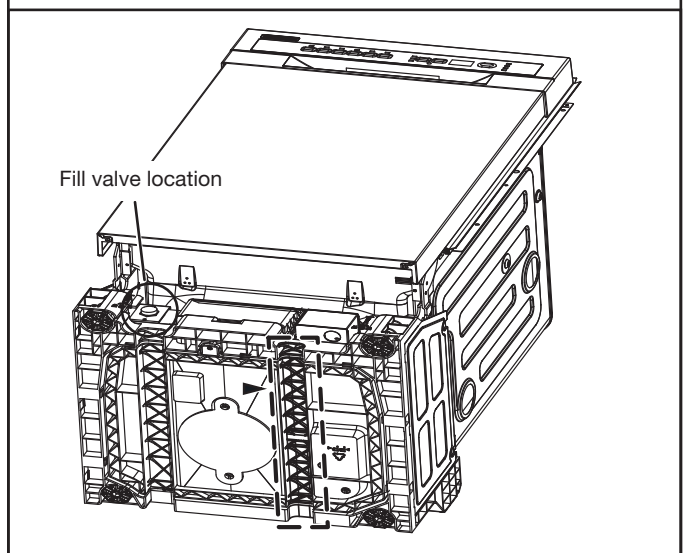
11. Connect elbow to fill valve



Apply thread seal tape to 90° elbow fitting and connect fitting to fill valve.

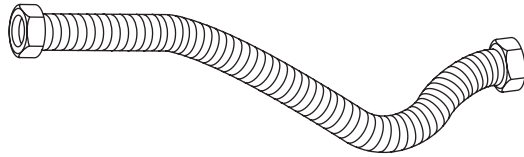
Tighten elbow until snug, and be sure that it faces toward channel in bottom of base.

12. Fill valve location



CONNECT FILL HOSE TO ELBOW

13. Flexible line



Flexible braided line: Confirm the flexible braided line is long enough.

Attach flexible line to elbow then route hose out the bottom left channel under the dishwasher. Secure in channel with tape or wire ties.

POWER CORD CONNECTION

⚠ WARNING



Electrical Shock Hazard

Electrically ground dishwasher.

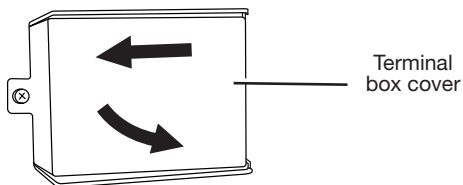
Connect ground wire to green ground connector in terminal box.

Do not use an extension cord.

Failure to follow these instructions can result in death, fire, or electrical shock.

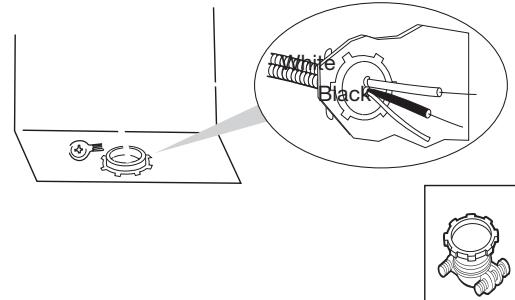
NOTE: If removing a previous dishwasher with a power cord, you will need to transfer the power cord to the new dishwasher.

14. Remove terminal box cover



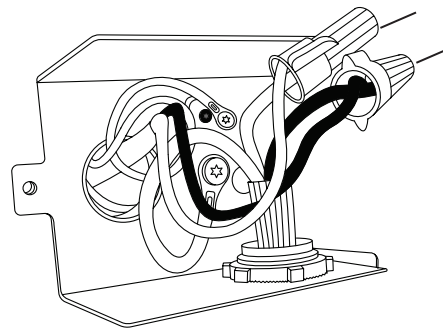
Remove the screw holding the terminal box cover. Remove the cover by sliding it up and lifting the hooks out of the slot. Keep the cover for later use.

15. Install strain relief



Install a UL Listed/CSA Approved metallic strain relief. Make sure screw heads are facing up when tightening conduit nut. Strain relief is provided with the power cord kit. See the "Tools and Parts" section for part details and ordering information.

16. Power cord—route cord into terminal box



Select UL Listed/CSA Approved twist-on wire connectors of the proper size. See the "Tools and Parts" section for part details. Connect wires, black-to-black and white-to-white, using the twist-on wire connectors.

NOTE: Do not pre-twist stranded wire. Twist on wire connector. Gently tug on wires to be sure both are secured.

Route cord so that it does not touch dishwasher motor or lower part of dishwasher tub. Pull cord through strain relief in terminal box.

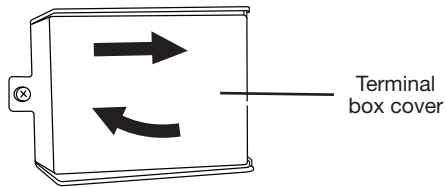
NOTE: A maximum of two power cord supply conductors (12 AWG largest size) plus one grounding conductor are permitted in the terminal box.

Remove the ground connector screw on the raised floor inside the box and place it through the ring terminal of the green ground wire of power cord. Reattach and tighten the ground connector screw to the raised floor of the box. Tighten strain relief screws to secure cord.

Wiring configuration

Power supply wire:		Terminal box wire:
white	↔	white
black	↔	black
ground wire	↔	ground connector

17. Power cord—reinstall terminal box cover and wires

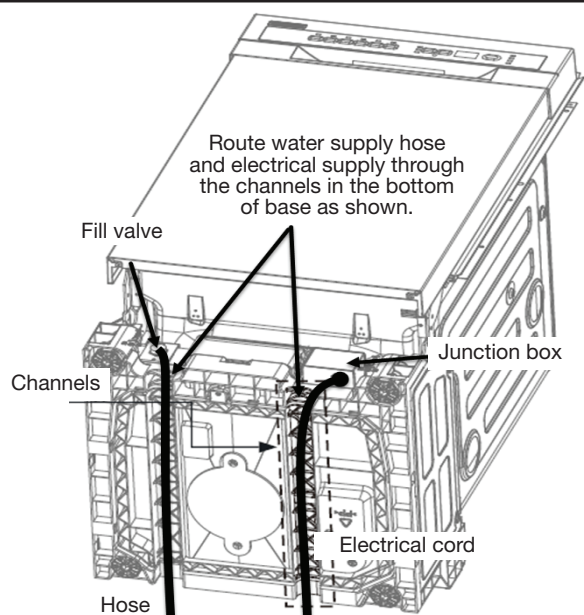


Place wires inside terminal box. Replace the cover by inserting the hooks of the terminal cover into the slots in the floor of the terminal box and sliding the cover tight against the back wall where wires come in. Make sure wires are tucked inside the box and not pinched by the cover.

NOTE: Route power cord out the bottom rear channel provided. Do not plug cord into an outlet until instructed to do so.

UTILITY ROUTING CHANNEL LOCATION

18. Water supply hose, power cord channel routing locations



Route the water supply and electrical supply to the back of the unit through the bottom base channels provided. Secure utilities in channel using tape or wire ties.

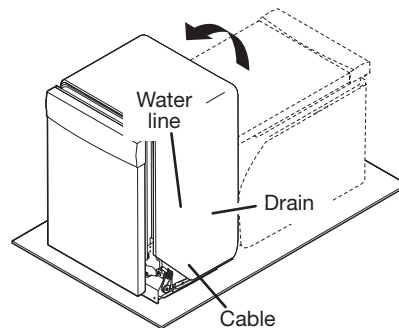
⚠ WARNING

Excessive Weight Hazard

Use two or more people to move and install dishwasher.

Failure to do so can result in back or other injury.

19. Stand dishwasher upright



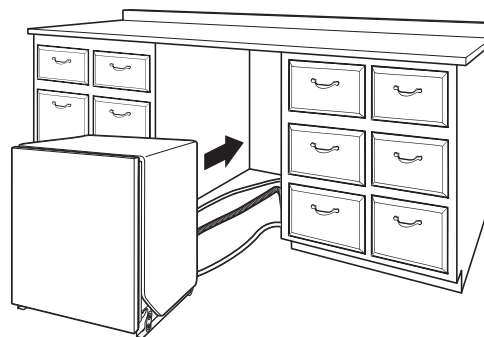
Using two or more people, stand the dishwasher up.

NOTE: Do not install kick plate until instructed to do so.

Dishwasher may fit tightly into cabinet opening. Do not remove insulation blanket—the blanket reduces the sound level.

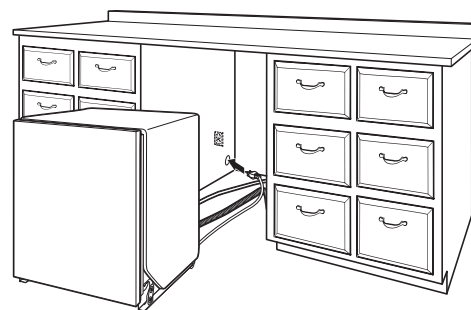
NOTE: Route water supply, drain hose, and power cord out the rear of the dishwasher.

20. Move dishwasher close to cabinet opening



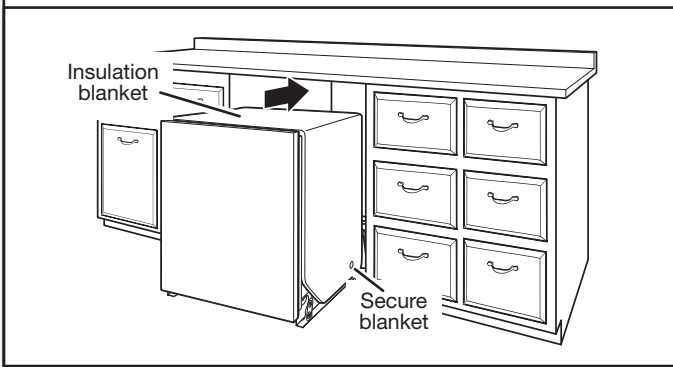
Route the utilities through the holes in the cabinet, and pull the slack out at the same time as the dishwasher is pushed into the cabinet

21. Route power cord



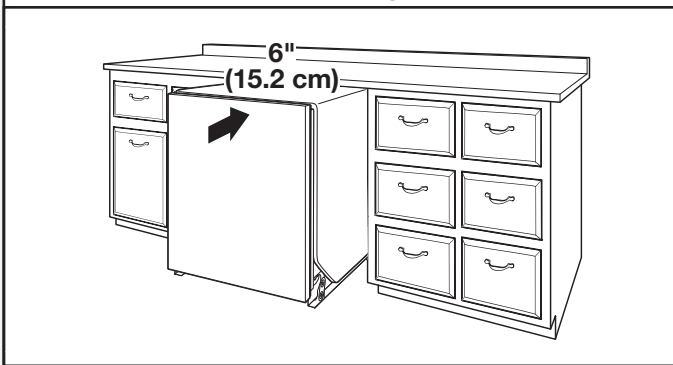
If using a power cord, make sure to route the end through hole in cutout before sliding dishwasher into the cabinet opening.

22. Secure insulation blanket



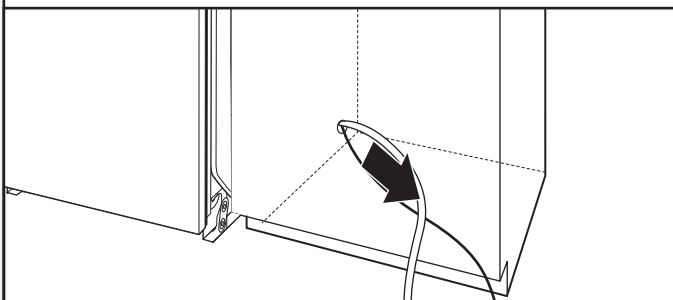
NOTE: Make sure insulation blanket is secured at both left and right rear corners before pushing into cabinet opening to keep the blanket from bunching up in a tight fitting cabinet.

23. Move dishwasher all but 6" (15.2 cm) into cabinet opening



NOTE: Leave unit about 6" (15.2 cm) out from cabinet in order to install anchor brackets and adjust door tension if needed.

24. Pull slack from utilities

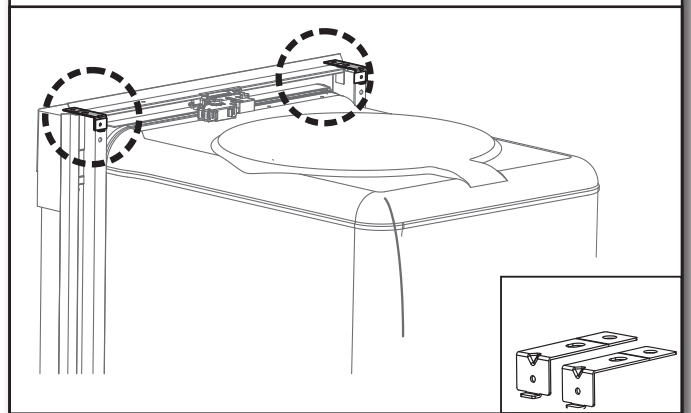


NOTE: Pull slack out of utilities at the same time the dishwasher is pushed into the cabinet opening to avoid any kinks.

CHOOSE ANCHOR ATTACHMENT METHOD

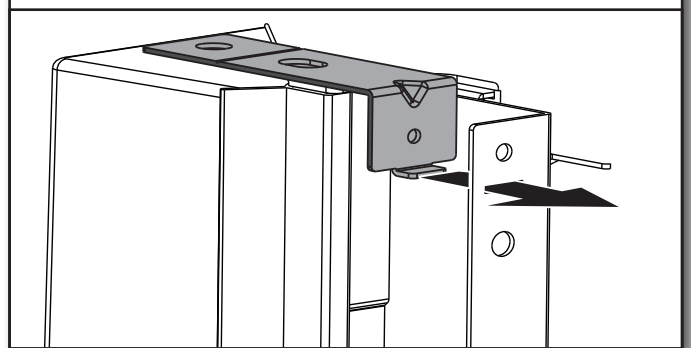
OPTION #1 INSTALL ANCHOR BRACKETS FOR UNDERCOUNTER ATTACHMENT

25. Top anchor brackets



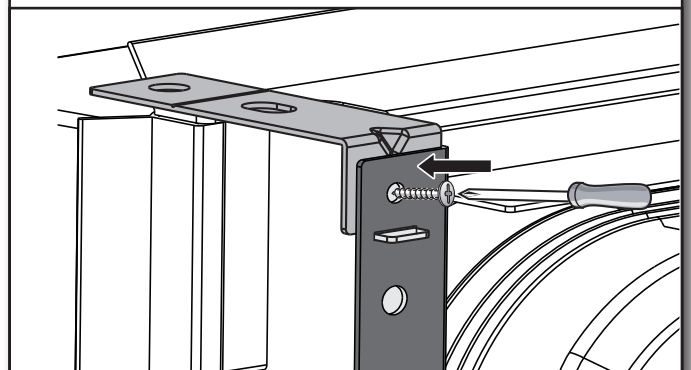
The dishwasher must be secured to the countertop by the two brackets located on top of the dishwasher

26. Install bracket into slots



Install both top brackets into slots on tub collar.

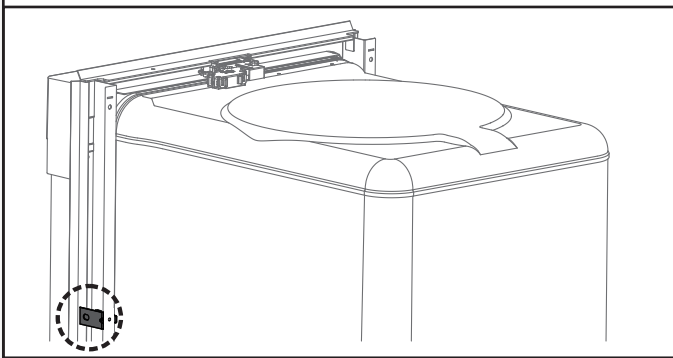
27. Attach bracket screws



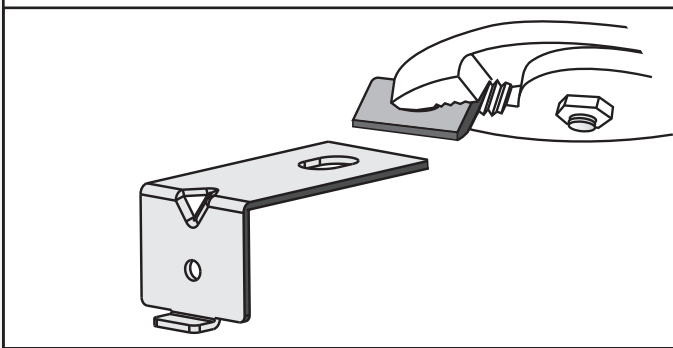
Secure bracket to tub collar with provided screw.

OPTION #2 INSTALL SIDE MOUNTING BRACKETS IF SIDEMOUNTING

28. Side mount bracket location

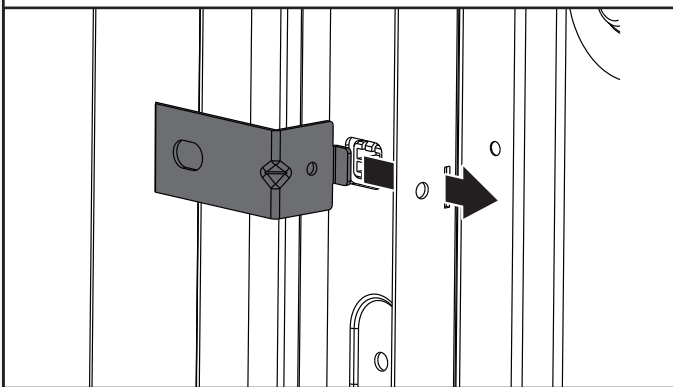


29. Break tab off



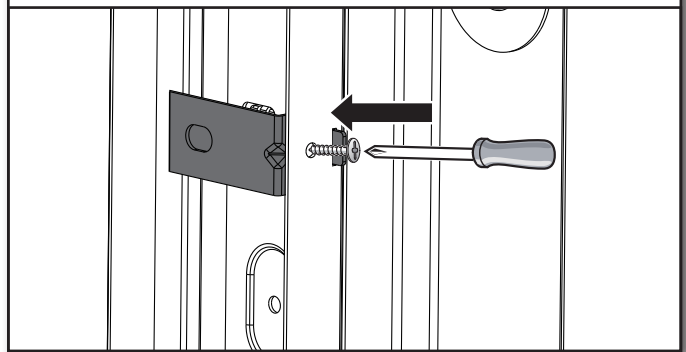
Break tab off at score line for side mounting.

30. Insert bracket into slot



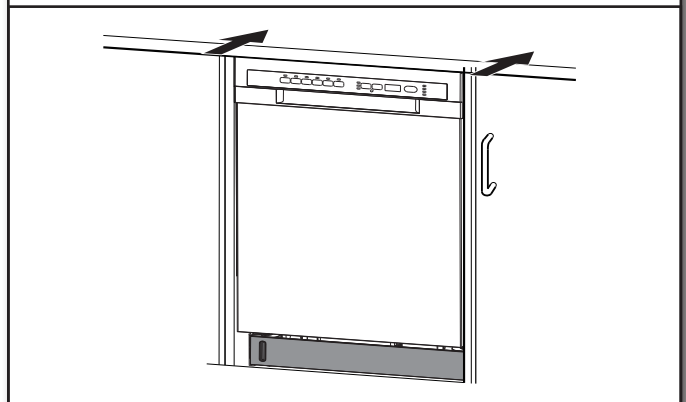
Insert brackets into slot on either side of tub collar.

31. Secure sidemount with screw



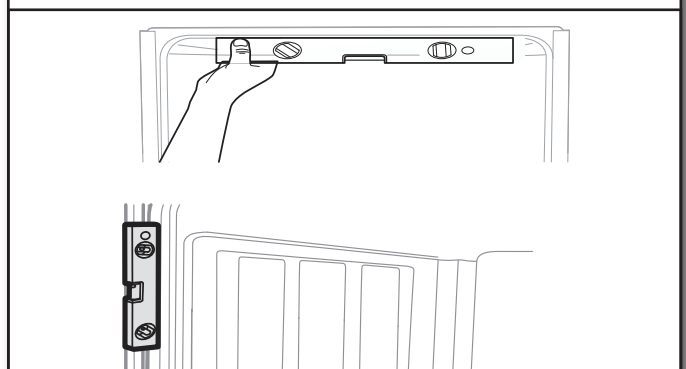
Secure brackets into slot with provided screws.

32. Slide completely into cut out



With top or side mount anchors attached, slide unit into cut out until flush with cabinets.

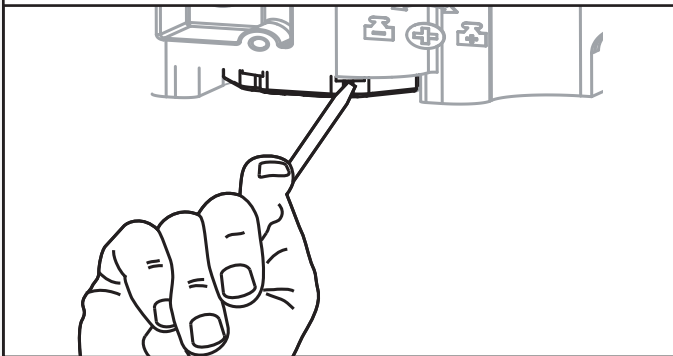
33. Level front to back side to side



Using a level, adjust legs if needed.

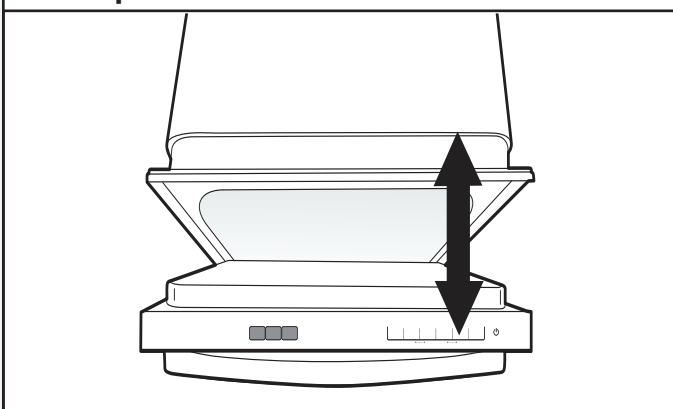
Use a level to check if the dishwasher is level front to back. If the dishwasher is not level front to back, adjust the height of the rear leg until the dishwasher is level. Open the door of the dishwasher and check that both the tub and door clearances are correct. If not, rotate the leveling legs on the bottom front of the dishwasher. You can also check this by placing a level against an inside front vertical surface of the tub.

34. Leveling Leg adjustment



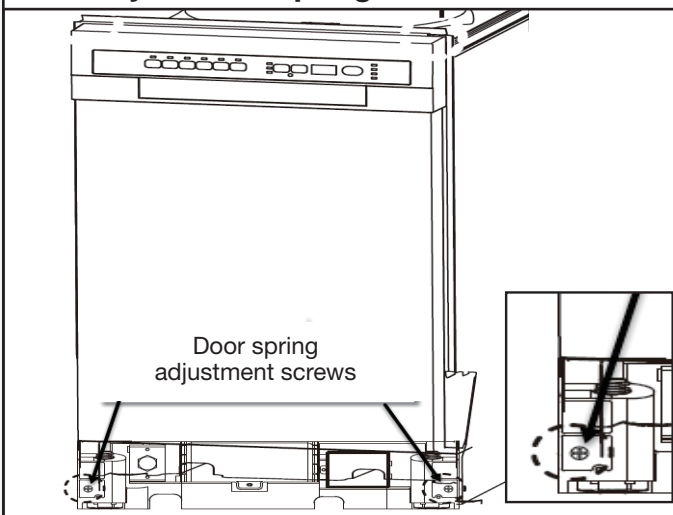
Turn leg counter clockwise to raise the dishwasher or clockwise to lower the dishwasher.

35. Open and close door



Open and close the door to check spring tension of door.

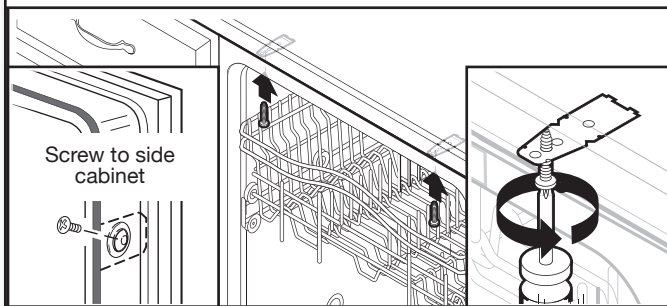
36. Adjust door spring tension



If needed adjust spring tension by using a Phillips-head screw driver. Turn screws clockwise to increase tension or counter clockwise to decrease door tension.

If spring is adjusted to its maximum tension and door still falls rapidly after opened, it is recommended to install the springs supplied with the product inside the accessories bag. After springs are replaced, revisit the steps 35 & 36.

37. Secure dishwasher

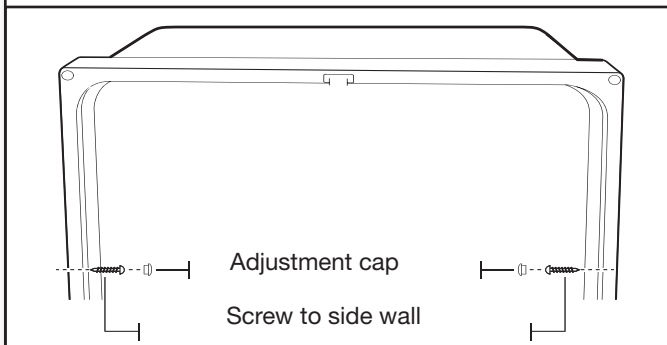


Open dishwasher door to prepare for securing the dishwasher to the countertop or side cabinet.

NOTES:

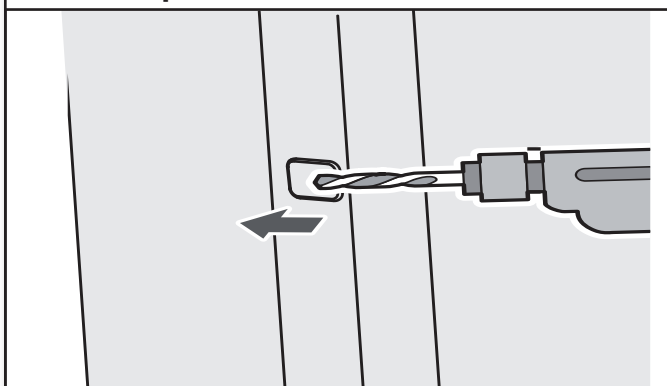
- The dishwasher must be secured to keep it from shifting when the door is opened or closed.
- Do not drop screws into bottom of dishwasher.
- Locate brackets installed in the "Choose Anchor Attachment Method" section, either on top or on the sides of the dishwasher.
- If countertop anchoring: Secure dishwasher to the countertop with two Phillips-head screws (included).
- If side anchoring: Drill pilot holes in cabinet to avoid splitting the wood. Secure dishwasher to cabinet with two Phillips-head screws (included). Remove upper rack for easier access. See the User Guide for instructions on how to remove the upper rack if needed.

38. Sidemount attachment method



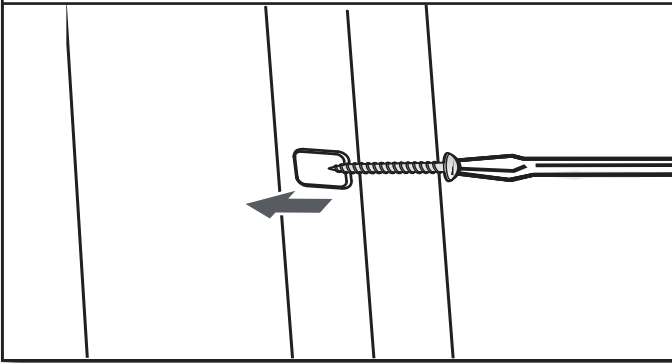
Remove plastic caps covering screw holes on either side.

39. Drill pilot holes



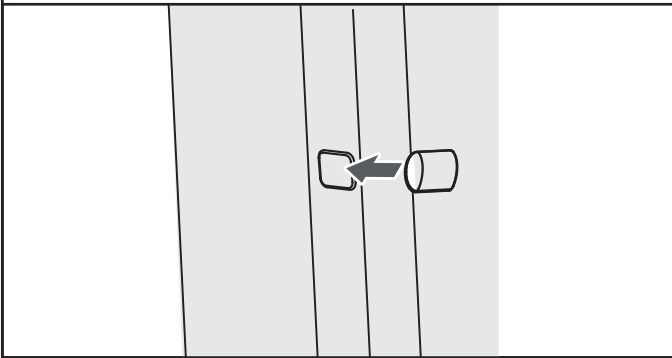
If side anchoring: Drill pilot holes in cabinet to avoid splitting wood.

40. Install screws



Secure dishwasher to cabinet with two Phillips-head screws (included). Remove upper rack for easier access. See the User Guide for instructions how to remove the upper rack if needed.

41. Reinstall plastic caps



Reinstall plastic caps to cover screw heads.

DIRECT WIRE ELECTRICAL CONNECTION

⚠ WARNING



Electrical Shock Hazard

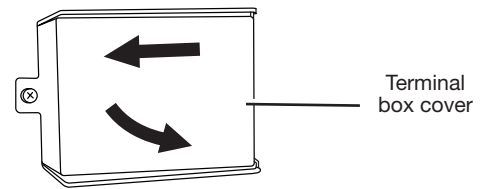
Electrically ground dishwasher.

Connect ground wire to green ground connector in terminal box.

Do not use an extension cord.

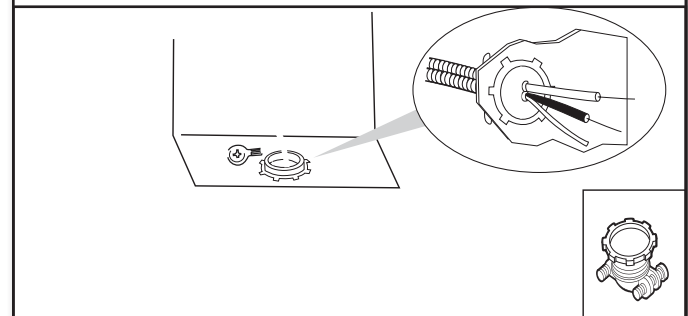
Failure to follow these instructions can result in death, fire, or electrical shock.

42. Remove terminal box cover



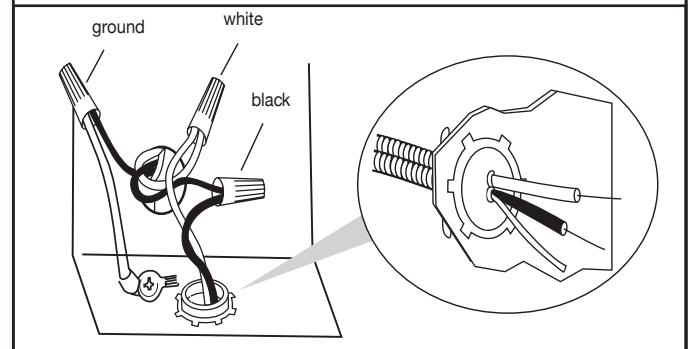
Remove the screw holding the terminal box cover. Remove the cover by sliding it up and lifting its hooks out of the slot. Retain cover for later use.

43. Install strain relief



Install a UL Listed/CSA Approved metallic strain relief. Make sure screw heads are facing up when tightening conduit nut. Strain relief is provided with the power cord kit. See the "Tools and Parts" section for part details and ordering information.

44. Direct Wire—Route cable into terminal box



Select UL Listed/CSA Approved twist-on wire connectors of the proper size. See the "Tools and Parts" section at the front of the guide for part details. Connect wires, black-to-black and white-to-white, using the twist-on wire connectors.

NOTE: Do not pre-twist stranded wire. Twist on the wire connector. Gently tug on wires to be sure both are secured.

Route cable so that it does not touch dishwasher motor or lower part of dishwasher tub. Pull cable through UL Listed/CSA Approved strain relief in terminal box.

NOTE: A maximum of two field wiring supply conductors (12 AWG largest size) plus one grounding conductor are permitted in the terminal box.

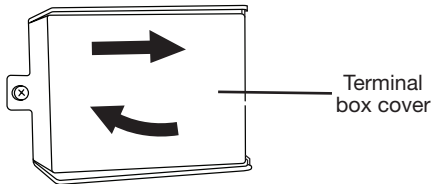
Form bare ground wire into a U-shaped hook. Wrap ground wire hook clockwise around the ground connector screw on the raised floor inside the box and under the washer. Securely tighten ground connector.

Tighten strain relief screws to secure cable. Make sure screw heads are facing up when tightening conduit nut.

Wiring configuration

Power supply wire:		Terminal box wire:
white	←→	white
black	←→	black
ground wire	←→	ground connector

45. Power cord—reinstall terminal box cover and wires

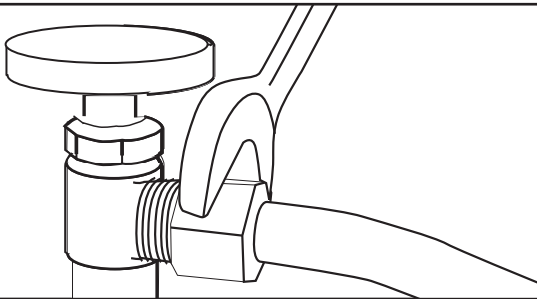


Place wires inside terminal box. Replace the cover by inserting the hooks of the terminal cover into the slots in the floor of the terminal box and sliding the cover tight against the back wall where wires come in. Make sure wires are tucked inside the box and not pinched by the cover.

CONNECT WATER LINE TO HOUSE SHUT-OFF VALVE

NOTE: If using a flexible braided hose, replace inlet hose after 5 years to reduce the risk of hose failure. Record hose installation or replacement dates on the hose for future reference.

46. Attach water supply line



Attach the water supply line (copper tubing or flexible braided line) to the hot water line using a connection configuration that is in compliance with local codes and ordinances. The water supply to the dishwasher should have a manual shut-off valve located under the sink.

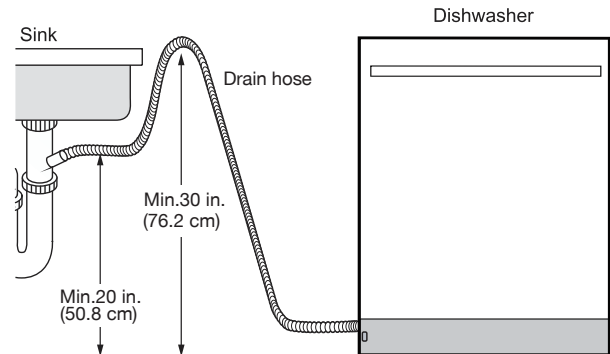
CONNECT DRAIN HOSE

47. Connect drain hose

Connect drain hose to waste tee or waste disposer using one of the following options:

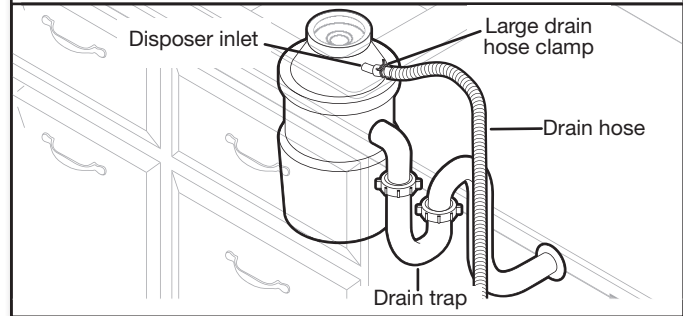
- Option A: Waste disposer – no air gap
- Option B: No waste disposer – no air gap
- Option C: Waste disposer – with air gap
- Option D: No waste disposer – with air gap

Helpful Tip: To reduce vibration of the hose, keep the hose away from the floor.



IMPORTANT: The drain hose connection to the disposer or a waste tee must be made before the drain trap and at least 20" (50.8 cm) above the floor where the dishwasher will be installed. The drain hose needs to be secured min. of 30" (76.2 cm) off the floor and fastened to cabinet or underside of the counter top.

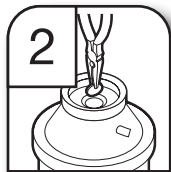
Option A: Waste disposer—no air gap



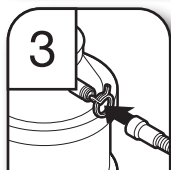
Helpful Tip: Remove disposer knockout plug.



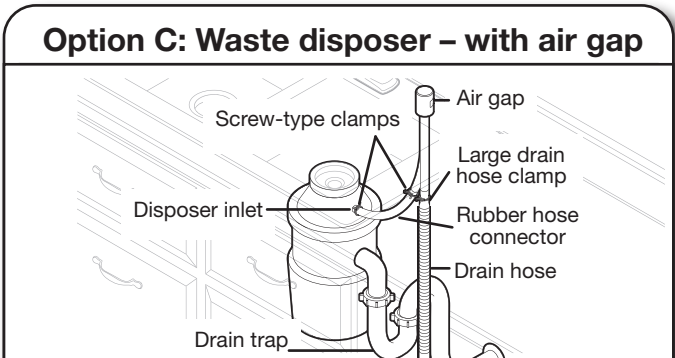
1. Using a hammer and screwdriver, knock plug into disposer.



2. Use needle-nose pliers to remove plug.



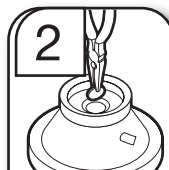
3. Attach drain hose to disposer inlet with large 1" (2.5 cm) to 1½" (3.8 cm) drain hose clamp (not provided).



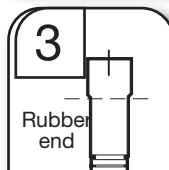
Helpful Tip: Remove disposer knockout plug.



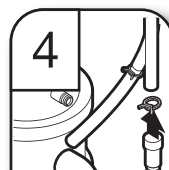
1. Using a hammer and screwdriver, knock plug into disposer.



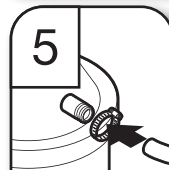
2. Use needle-nose pliers to remove plug.



3. Connect rubber end of drain hose to air gap.

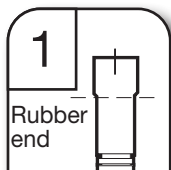
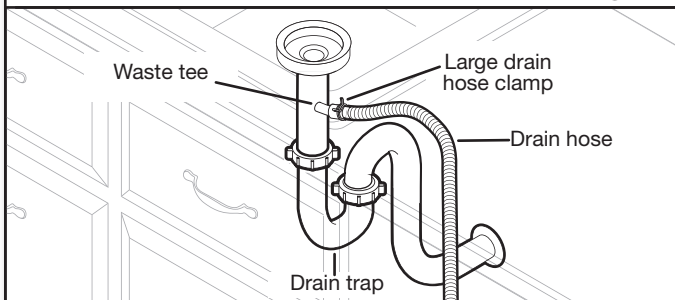


4. Attach rubber end of drain hose to air gap with a hose clamp. Use a 1" to 1½" (2.5 to 3.8 cm) screw-type clamp (not provided).



5. Use a rubber hose (not provided) with screw-type clamps to connect from air gap to disposer inlet.

Option B: No Waste disposer – no air gap

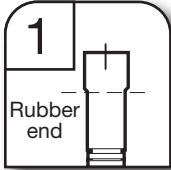
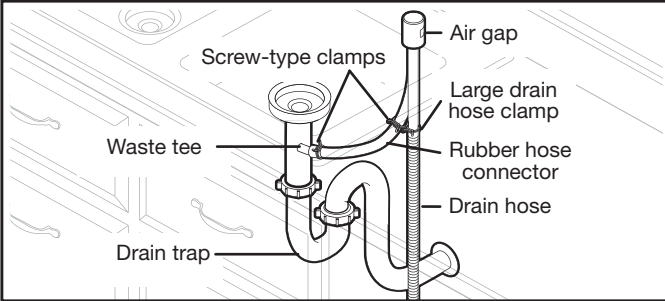


1. Fit rubber end of drain hose to waste tee.



2. Attach rubber end of drain hose to waste tee with a hose clamp. Use a 1" to 1½" (2.5 to 3.8 cm) screw-type clamp (not provided).

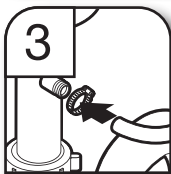
Option D: No waste disposer – with air gap



1. Connect rubber end of drain hose to air gap.



2. Attach drain hose to air gap. Use a 1" to 1½" (2.5 to 3.8 cm) screw-type clamp.



3. Use a rubber hose (not provided) with screw-type clamps (not provided) to connect from waste tee to air gap.

COMPLETE INSTALLATION

Check that the power supply wire or cord does not touch dishwasher motor or the lower part of the dishwasher tub.

⚠ WARNING



Electrical Shock Hazard

Plug into a grounded 3 prong outlet.

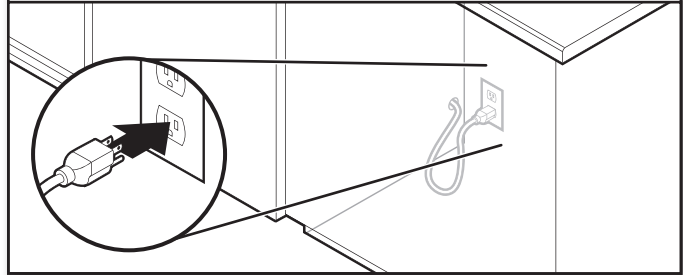
Do not remove ground prong.

Do not use an adapter.

Do not use an extension cord.

Failure to follow these instructions can result in death, fire, or electrical shock.

48. Power supply cord—Plug into a grounded 3 prong outlet



Plug into a grounded 3 prong outlet.

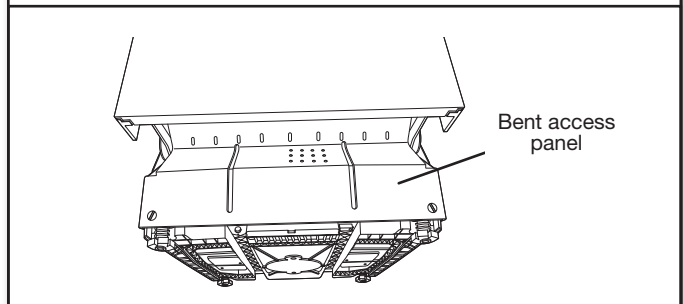
49. Reconnect power

Reconnect electrical power at the fuse box or circuit breaker box.

NOTE: With the access panel off, start the dishwasher and allow it to complete the shortest wash cycle. After the first 2 minutes, unlatch door, wait 5 seconds, then open door. Check that there is water in the bottom of the dishwasher tub. Check that dishwasher is working properly.

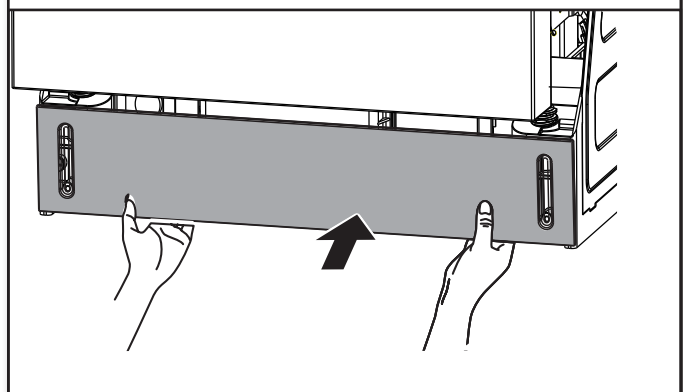
REINSTALL ACCESS PANEL

50. Reinstall bent access panel



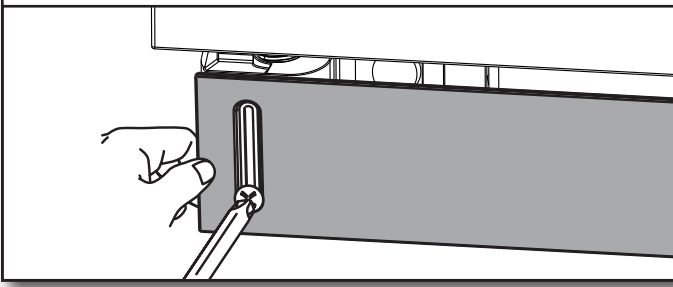
Place the bent access panel against dishwasher legs.

51. Install flat access panel in front of bent panel



Place the flat panel in front of the bent panel. Using a Phillips screwdriver install the screws through the holes in the access panel.

52. Secure with screws



Check that the lower edge of the access panel touches the floor. Adjust if necessary.

Tighten access panel screws.

CHECK OPERATION

- Read the dishwasher User Guide that came with your dishwasher.
- Check that all parts have been installed and no steps were skipped. Check that you have used all tools.

If the dishwasher is not working properly, disconnect power or unplug dishwasher and refer to the “If Dishwasher Does Not Operate” section.

IF DISHWASHER DOES NOT OPERATE

First try the solutions suggested here to possibly avoid the cost of a service call.

- Has the circuit breaker tripped or the house fuse blown?
- Is the door closed tightly and latched?
- Has the cycle been set correctly to start the dishwasher?
- Is the water turned on?

If none of these possible solutions work, please see the User Guide for service contact information.

ADDITIONAL TIPS

Expect longer wash times. Your new dishwasher will average 2-5 hours per load but use nearly 40% less energy than older models. Designed with a low wattage, low energy consumption motor, your dishwasher washes longer to ensure exceptional cleaning. Certain models are equipped with an optical water sensor, so the first cycle will run longer to calibrate to the optical sensor. Selecting certain options could increase cycle time past 3.5 hours.

Rinse aid is necessary for good drying results. This dishwasher is designed to be used with rinse aid for good drying performance and controlling hard water deposit buildup. Energy efficient dishwashers use less water and energy, so they depend on the water sheeting action of rinse aid for good drying performance.

ÍNDICE

SSEGURIDAD DE LA LAVAVAJILLAS.....	23	Prepare la lavavajillas.....	30
REQUISITOS DE INSTALACIÓN	24	Retire el panel de acceso doblado	30
Herramientas y piezas	24	Conexión de codo a válvula	31
18" Dimensiones del producto y de la abertura del gabinete.....	26	Conexión de manguera de llenado a codo.....	31
24" Dimensiones del producto y de la abertura del armario.....	27	Conexión del cable de alimentación.....	32
Requisitos de ubicación	28	Ubicación del canal de conexión de servicios	33
Requisitos de desagüe	28	Selección del método de sujeción de anclaje.....	34
Requisitos deL suministro de agua	28	Conexión eléctrica por cable directo.....	37
Requisitos eléctricos.....	28	Conexión de tubería de agua a manguera de válvula de cierre del hogar	38
INSTRUCCIONES DE INSTALACIÓN	29	Conexión de manguera de desagüe.....	38
Prepare de la abertura del gabinete — con nuevos servicios públicos	29	Completar de la instalación	40
Barrera para la humedad: recomendado para los mostradores de madera.....	29	Instale el panel de acceso	40
Conexión por cable directo	30	Verifique el funcionamiento.....	41
		Si no funciona el lavavajillas	41
		Consejos adicionales.....	41

SEGURIDAD DE LA LAVAVAJILLAS

Su seguridad y la seguridad de los demás es muy importante.

Hemos incluido muchos mensajes importantes de seguridad en este manual y en su electrodoméstico. Lea y obedezca siempre todos los mensajes de seguridad.



Este es el símbolo de alerta de seguridad.

Este símbolo le llama la atención sobre peligros potenciales que pueden ocasionar la muerte o una lesión a usted y a los demás.

Todos los mensajes de seguridad irán a continuación del símbolo de advertencia de seguridad y de la palabra "PELIGRO" o "ADVERTENCIA". Estas palabras significan:

⚠ PELIGRO

Si no sigue las instrucciones de inmediato, usted puede morir o sufrir una lesión grave.

⚠ ADVERTENCIA

Si no sigue las instrucciones, usted puede morir o sufrir una lesión grave.

Todos los mensajes de seguridad le dirán el peligro potencial, le dirán cómo reducir las posibilidades de sufrir una lesión y lo que puede suceder si no se siguen las instrucciones.

⚠ ADVERTENCIA



Peligro de Vuelco

No use la lavavajillas antes de estar completamente instalada.

No se apoye en la puerta abierta.

No seguir estas instrucciones puede ocasionar heridas serias o cortaduras.

Se necesita:

- Abra despacio la puerta de la lavavajillas mientras otra persona aferra la parte posterior del aparato. Retire los materiales de embalaje y la manguera de desagüe. Cierre la puerta de la lavavajillas hasta que quede trabada.
- **NOTA:** Cada lavavajillas se prueba en la fábrica y puede contener agua residual en la tina debido a la prueba.
- Respete todos los códigos y las ordenanzas vigentes.
- Instale esta lavavajillas como indican estas instrucciones.
- La instalación se debe llevar a cabo por un técnico de servicio cualificado.
- La lavavajillas se debe instalar conforme a todos los códigos y ordenanzas relativas a la electricidad y plomería nacionales y locales.

Se debe tener cuidado al instalar o desinstalar el electrodoméstico para reducir la posibilidad de dañar el cable de alimentación.

ADVERTENCIA: Para reducir el riesgo de descarga eléctrica, incendio o daños a personas, el instalador debe comprobar que la lavavajillas está totalmente enclaustrada tras la instalación.

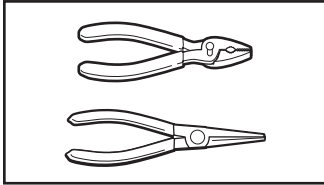
REQUISITOS DE INSTALACIÓN

HERRAMIENTAS Y PIEZAS

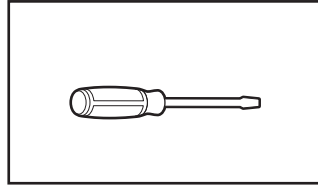
Reúna todas las herramientas y piezas recomendadas antes de comenzar la instalación. Lea y siga las instrucciones provistas con las herramientas enumeradas aquí.

Todas las instalaciones

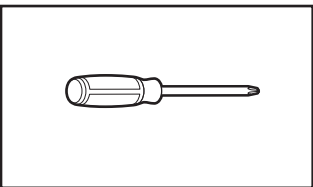
Herramientas necesarias:



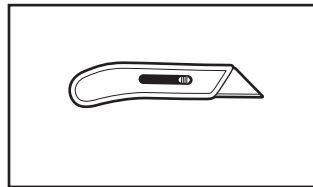
Alicate



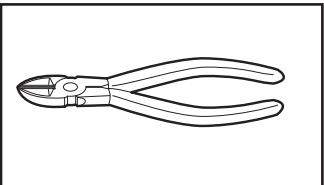
Destornillador de hoja plana



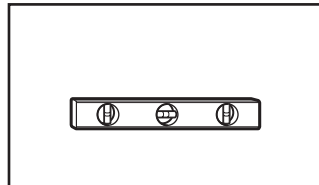
Destornillador Phillips



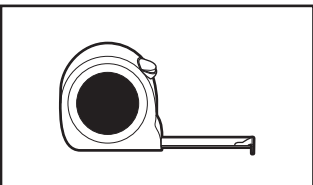
Cuchillo para uso general



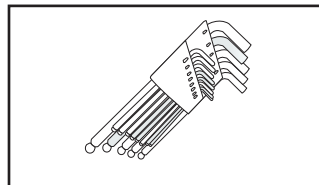
Tenaza



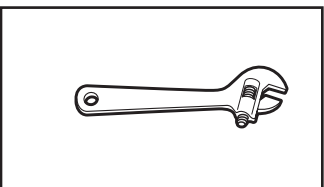
Nivel pequeño



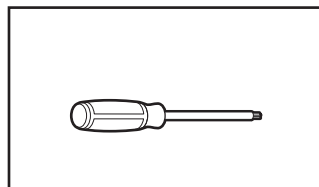
Cinta de medir o regla



Llave hexagonal

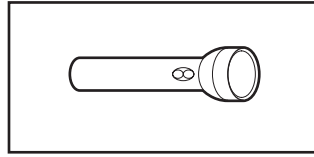


Llave ajustable de 10" que se abra hasta 1 1/8" (29 mm)

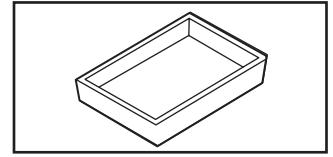


Destornillador Torx† T20

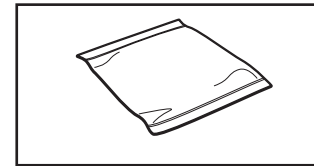
Otros elementos útiles que puede necesitar:



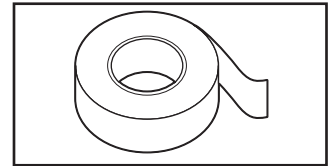
Linterna



Bandeja llana



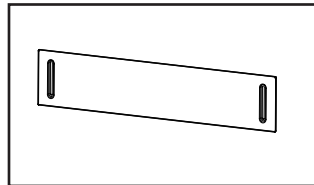
Toalla de baño



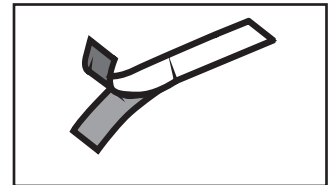
Cinta para ductos, eléctrica o cinta adhesiva protectora

Piezas suministradas:

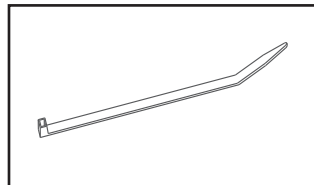
Suministrado con la lavavajillas. Verifique cuando saque la lavavajillas del empaquetado.



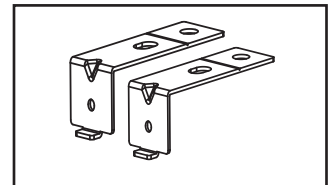
Panel de acceso plano



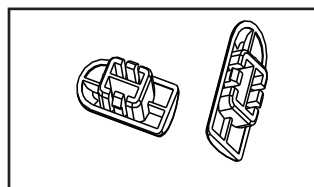
Cinta de barrera contra la humedad



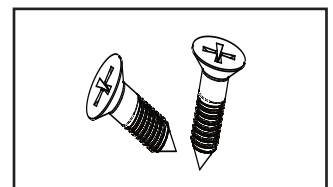
Atadura para cables (la manguera de desagüe)



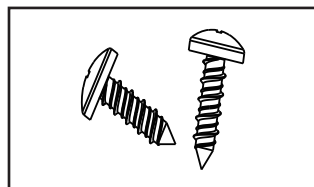
Soportes de montaje bajo barra de cocina (2)



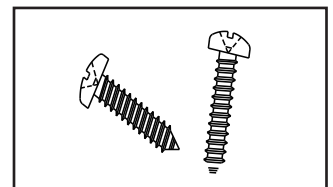
Cubierta de ajuste (2)



ST4 x 14 (2) (para la instalación de soporte)



ST3.9 x 9 (2) (para la instalación de soporte)

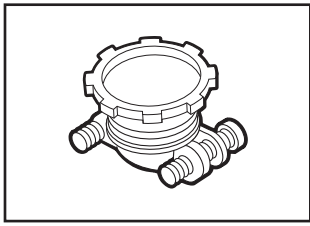


ST3.9 x 13 (2) (para placa protectora)

Compruebe que se hayan incluido todas las piezas en el paquete con el material impreso. Si no se han incluido piezas, contacte con nosotros a través del teléfono gratuito o visite nuestra página web mencionada en la Guía del usuario.

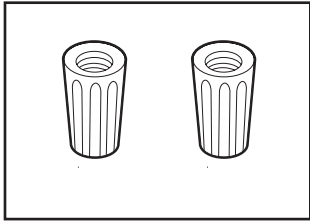
†TORX y T20 son marcas de Acument Intellectual Properties, LLC.

Otras piezas requeridas (no proporcionadas):



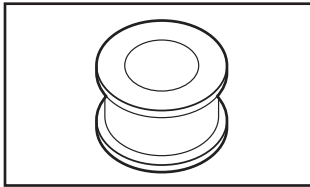
Protector de cables (de metal) para cableado doméstico
 que encaje en un orificio de 7/8" (22 mm) (necesario para fijar de forma correcta el cableado del hogar a la caja de terminales de la lavavajillas) (número de referencia de pieza Whirlpool 4396672)

NOTA: Utilice solo una pieza con certificación UL/homologación CSA.

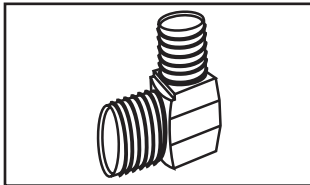


Conectores de torsión
NOTAS:

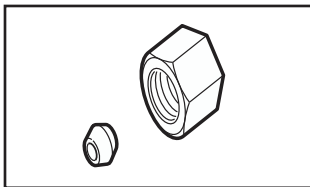
- Compruebe el tamaño adecuado para conectar el calibre del cableado del hogar al calibre 16 de la lavavajillas.
- Utilice solo piezas con certificación UL/homologación CSA.



Compuesto de sellado o cinta para TEFLON[†]



Codo de 90°



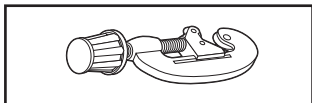
Accesorios para tubería (para tuberías de cobre)

Contacte con nosotros mediante el número gratuito o visite nuestra página web mencionada en la Guía del usuario para los números de pieza anteriormente mencionadas, o bien contacte con un punto local de distribución de componentes eléctricos/plomería para la pieza equivalente.

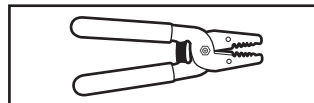
Instalaciones nuevas

Verifique los códigos locales. Compruebe el suministro eléctrico existente. Vea la sección "Requisitos eléctricos". Se recomienda que todas las conexiones eléctricas sean realizadas por un instalador eléctrico matriculado.

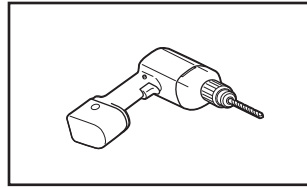
Herramientas adicionales necesarias:



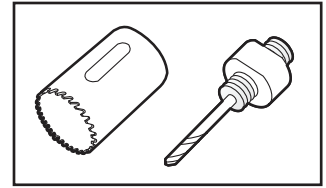
Cortador de tubos pequeño



Pelacables

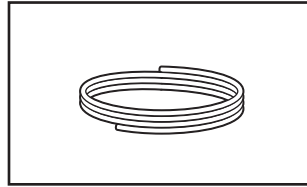


Taladro inalámbrico

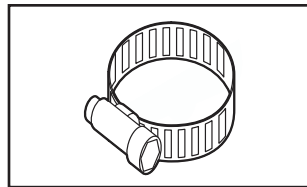


Con fresas de 1/2" (12,7 mm), 3/4" (19 mm) y 1 1/2" (38 mm)

Herramientas adicionales requeridas (no proporcionadas):



Tubería de cobre (se recomienda un diámetro exterior de 3/8" o 9,8 mm) o kit de tubería trenzada flexible de suministro de agua (número de pieza de Whirlpool W10278635RP). El kit incluye la manguera trenzada y el racor de manguera con conexión de compresión de 3/8" (9,8 mm) x 3/4" (19 mm).

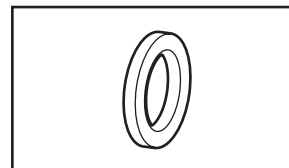
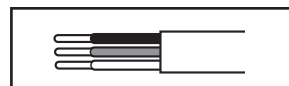


Abrazaderas de tipo tornillo de 1 1/2"-2" (38-50 mm) (3 máximo)

Contacte con nosotros mediante nuestro número gratuito o visite nuestra página web mencionada en la Guía del usuario para los números de pieza anteriormente mencionadas, o bien contacte con un distribuidor local de plomería para la pieza equivalente.

NOTA: Si se utiliza una manguera trenzada flexible, sustituya la manguera de entrada después de 5 años para reducir el riesgo de fallas. Apunte las fechas de instalación o sustitución en la manguera para su consulta en el futuro.

Para cable directo



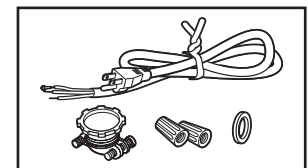
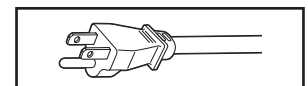
Pasacables de gabinete

Para orificio de 1 1/2" (38 mm) en el gabinete. (Número de referencia de pieza Whirlpool 302797)

NOTA: Requerido para gabinetes de metal

Contacte con nosotros mediante nuestro número gratuito o visite nuestra página web mencionada en la Guía del usuario para los números de pieza anteriormente mencionadas, o bien contacte con un distribuidor local de productos eléctricos para la pieza equivalente.

Para cable de alimentación

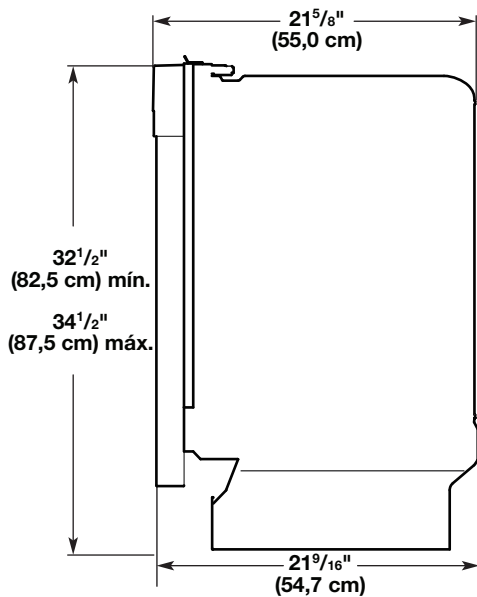


Kit de cable de alimentación

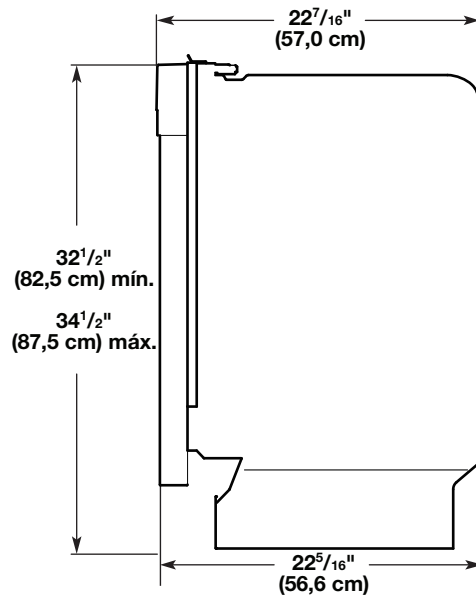
El kit incluye generalmente el cable de alimentación, protector de cables de metal, pasacables y conectores de torsión. (Número de referencia de pieza Whirlpool 4317824)

[†]TEFLON es una marca registrada de Chemours.

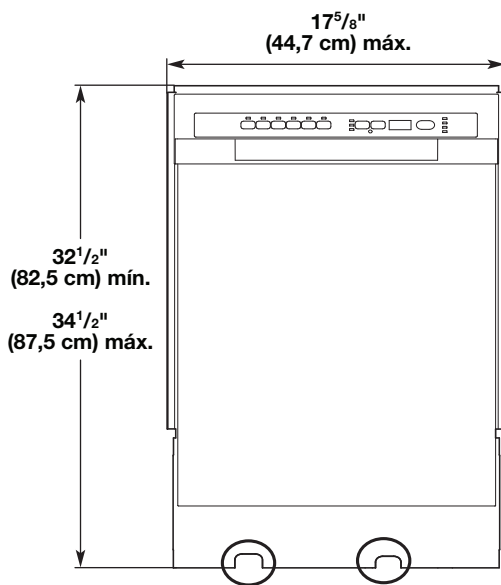
18" DIMENSIONES DEL PRODUCTO Y DE LA ABERTURA DEL GABINETE



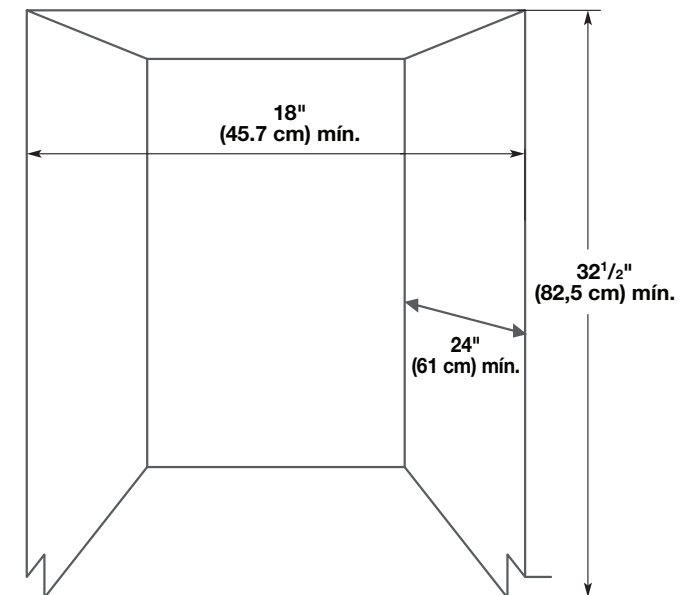
Vista lateral del panel de madera personalizado de 18"



Vista lateral del panel de la puerta de metal de 18"



Vista frontal



Dimensiones de corte

NOTA: Conecte la tubería de suministro de agua y el cable eléctrico por medio de los canales provistos bajo la lavavajillas (encerrado en un círculo).

Parte de abajo del mostrador al piso

El gabinete debe tener un ancho de al menos 18" (45,7 cm), una profundidad de 24" (61 cm) y una altura de 32 1/2" (82,5 cm).

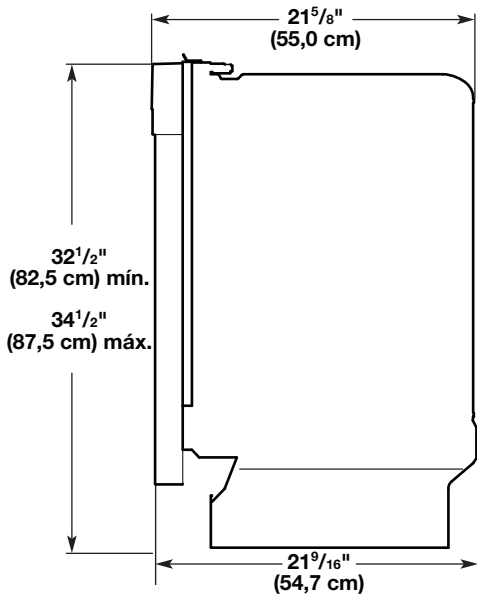
Para que la puerta delantera de la lavavajillas quede a ras con el borde del mostrador, el mostrador debe tener una profundidad de al menos 24" (61 cm).

Se diseñó esta lavavajillas para que esté rodeada en la parte superior y a ambos lados con una unidad de gabinete de cocina residencial estándar.

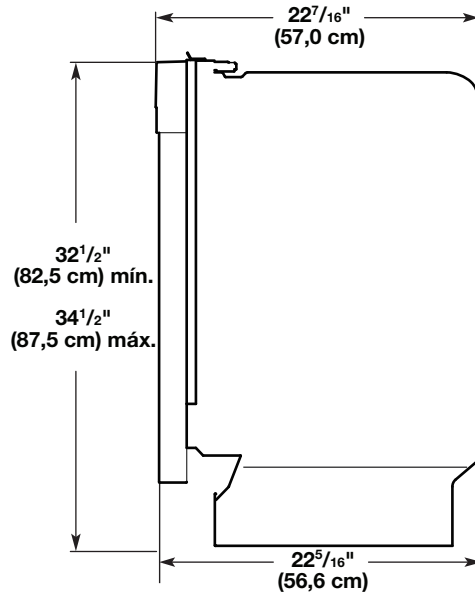
El gabinete de instalación debe estar limpio y libre de obstáculos.

NOTA: Instalación de la ADA, de 32 1/2" (82,5 cm) se puede llevar a cabo debajo de mostradores de 34" (86,4 cm) de altura ajustando el panel protector y nivelando las patas.

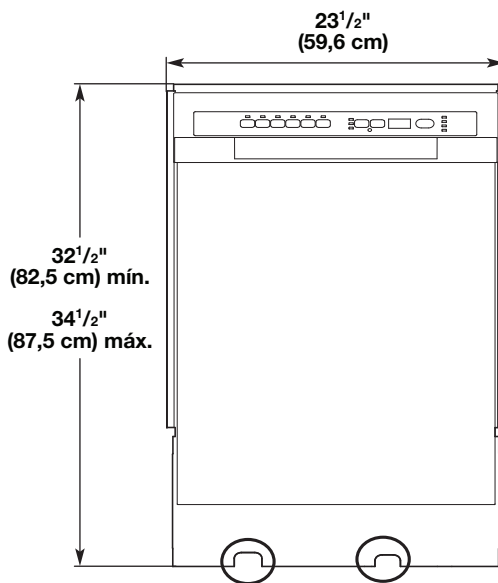
24" DIMENSIONES DEL PRODUCTO Y DE LA ABERTURA DEL ARMARIO



Vista lateral del panel de madera personalizado de 24"

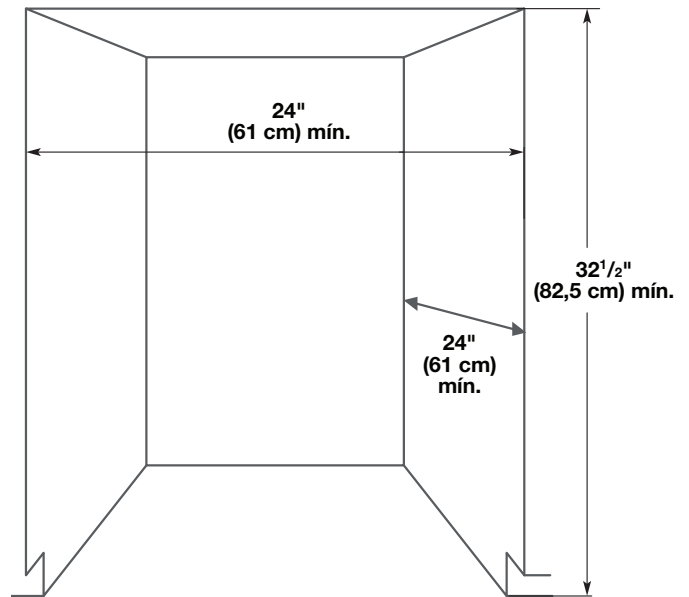


Vista lateral del panel de la puerta de metal de 24"



Vista frontal

NOTA: Conecte la tubería de suministro de agua y el cable eléctrico por medio de los canales provistos bajo la lavavajillas (encerrado en un círculo anteriormente).



Dimensiones de corte

Parte de abajo del mostrador al piso

El gabinete debe tener un ancho de al menos 24" (61 cm), una profundidad de 24" (61 cm) y una altura de 32 1/2" (82,5 cm).

Para que la puerta delantera de la lavavajillas quede a ras con el borde del mostrador, el mostrador debe tener una profundidad de al menos 24" (61 cm).

Se diseñó esta lavavajillas para que esté rodeada en la parte superior y a ambos lados con una unidad de gabinete de cocina residencial estándar.

El gabinete de instalación debe estar limpio y libre de obstáculos.

NOTA: Instalación de la ADA, de 32 1/2" (82,5 cm) se puede llevar a cabo debajo de mostradores de 34" (86,4 cm) de altura ajustando el panel protector y nivelando las patas.

REQUISITOS DE UBICACIÓN

No pase las tuberías de desagüe, de agua o el cableado eléctrico por donde puedan interferir o hacer contacto con los motores o las patas de la lavavajillas.

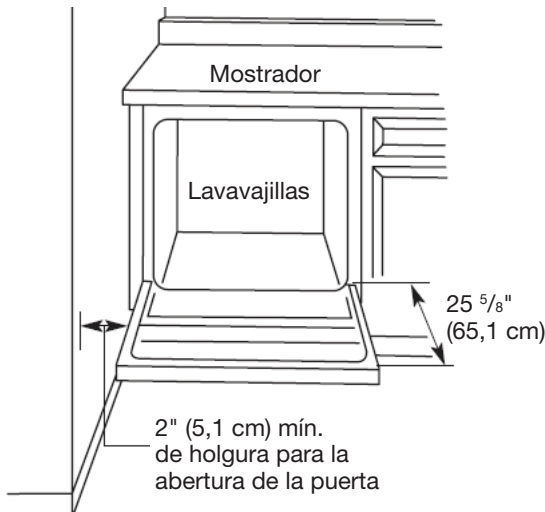
La ubicación de instalación de la lavavajillas debe tener holgura entre los motores y el piso. Los motores no deben hacer contacto con el piso.

No instale la lavavajillas sobre pisos alfombrados.

Proteja la lavavajillas y las tuberías de agua que van a la lavavajillas contra el congelamiento. Los daños ocasionados por congelamiento no están cubiertos por la garantía.

Verifique la ubicación de instalación de la lavavajillas. La ubicación debe ofrecer:

- Un acceso fácil a los sistemas de agua, electricidad y desagüe.
- Un acceso adecuado para cargar y descargar la vajilla. Las ubicaciones en esquinas requieren de un espacio libre mínimo de 2" (5 cm) entre el lado de la puerta de la lavavajillas y la pared o el gabinete.



- Cercado completo a ambos lados, en la parte trasera y superior.
- Una abertura cuadrada para el funcionamiento y la apariencia adecuados.
- Frente del gabinete perpendicular al piso.
- Piso nivelado. (Si el piso en la abertura frontal no está nivelado con el piso en la parte posterior de la abertura, tal vez se necesiten calzas para nivelar la lavavajillas.)

NOTA: Para evitar que se muevan durante el funcionamiento de la lavavajillas, los suplementos deben estar sujetos firmemente al piso.

Si no se va a utilizar la lavavajillas durante un tiempo o si se encuentra en un punto donde pueda sufrir riesgo congelación, solicite a personal de servicio autorizado que la acondicione para el invierno.

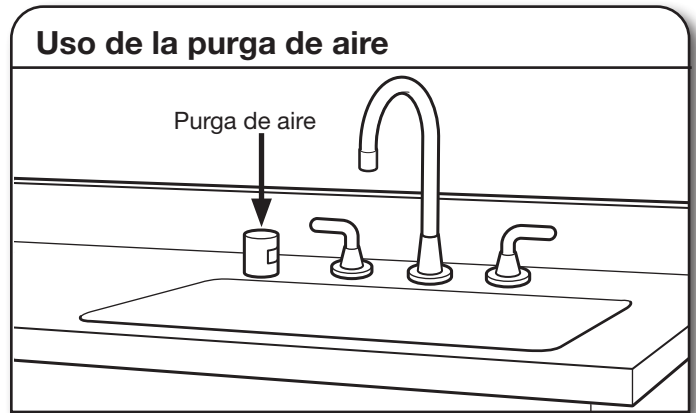
Asegúrese que los tubos, cables y desagüe estén dentro del área que se muestra en la sección "Dimensiones de corte".

Consejo útil: Si el piso en la abertura de la lavavajillas no está uniforme, (ejemplo: azulejos solo en parte de la abertura) tendrá que tener cuidado especial al medir las dimensiones y nivelar la lavavajillas.

REQUISITOS DE DESAGÜE

- Use la manguera de desagüe nueva provista con su lavavajillas. Si esta no es lo suficientemente larga, utilice una manguera de desagüe nueva con una longitud máxima de 9,8 pies (3 m) desde el lavadero que cumpla con todos los estándares de comprobación actuales de AHAM/IAMPO, que sea resistente al calor y al detergente.
- Conecte la manguera de desagüe al tubo de desperdicios en "T", o a la entrada del recipiente de desechos que se encuentra arriba del sifón de desagüe en la plomería de la casa, y a un mínimo de 20" (50,8 cm) del piso. Se recomienda que la manguera de desagüe se enrolle y fije con firmeza a la parte inferior de la barra de cocina, o que se conecte a una purga de aire.

- Use una purga de aire del desagüe si la manguera de desagüe está conectada a la plomería de la casa a una altura menor a las 18" (45,7 cm) sobre el contrapiso o el piso.



- Use accesorios para líneas de desagüe con un diámetro interior de 1/2" (1,3 cm) mínimo.

REQUISITOS DEL SUMINISTRO DE AGUA

- Esta lavavajilla tiene una función de calentamiento de agua y también requiere una conexión a una línea de suministro de agua caliente.
- Una tubería de agua caliente con presión de agua de 20-120 lb/pulg² (138-862 kPa).
- Agua a 120 °F (49 °C) en la lavavajillas
- Use tubería de cobre de 3/8" (9,5 mm) de diámetro externo con un accesorio de compresión, o una línea de llenado trenzada flexible de acero inoxidable (no se recomienda usar tubería de plástico de 1/2").
- Un codo de 90° con rosca externa N.P.T. de 3/8" (9,5 mm) en un extremo.

NOTA: No suelde a una distancia menor de 6" (15,2 cm) de la válvula de llenado.

REQUISITOS ELÉCTRICOS

Póngase en contacto con un electricista calificado.

Asegúrese de que la conexión eléctrica sea adecuada y de conformidad con todos los códigos y ordenanzas locales y nacionales.

Debe tener:

- Un suministro eléctrico de 120 V, 60 Hz, solo CA, de 15 o 20 A y protegido con fusibles.
- El cableado deben ser solo 2 cables con puesta a tierra

Recomendamos:

- Un fusible retardador o un disyuntor.
- Un circuito separado.

Si va a hacer un cableado directo para la lavavajillas:

- Use alambre de cobre blindado flexible o forrado no metálico con el alambre de puesta a tierra, el cual cumpla con los requisitos de cableado para su casa y con los códigos y ordenanzas locales.

Si va a conectar la lavavajillas con un cable de suministro eléctrico:

- Use el juego del cable de suministro eléctrico (pieza N°. 4317824), que esté marcado para usarse con lavavajillas. El juego incluye:
 - Cable de alimentación de 3 hilos, calibre 16, en la lista de UL, con un enchufe con conexión a tierra de 3 hilos.
 - Protector de cables Neer C-500 7/8" (2.2 cm).
 - Conectores para 3 hilos.
 - Aro de refuerzo pieza No. 302797

Para la instalación del cable de suministro eléctrico, siga las instrucciones del juego.

- El cable de suministro eléctrico debe conectarse a un contacto apropiado de pared de 3 terminales, con conexión a tierra, ubicado en el gabinete que se encuentra al lado de la abertura de la lavavajillas. El contacto debe cumplir con todos los códigos y ordenanzas locales.

INSTRUCCIONES DE INSTALACIÓN

⚠ ADVERTENCIA



Peligro de Choque Eléctrico

Desconecte el suministro de energía en la caja de fusibles o cortacircuitos antes de instalar la lavavajillas.

No seguir esta instrucción puede ocasionar la muerte o choque eléctrico.

1. Desconecte el suministro de energía.

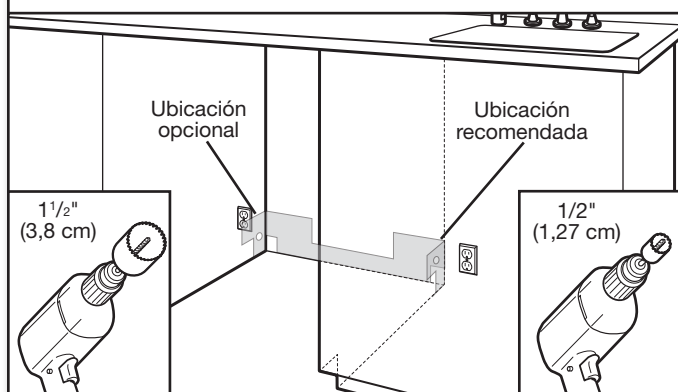
Desconecte el suministro eléctrico en la caja de fusibles o la caja de cortacircuitos antes de instalar la lavavajillas.

2. Cierre el suministro de agua

Cierre el suministro de agua a la lavavajillas.

PREPARE DE LA ABERTURA DEL GABINETE – CON NUEVOS SERVICIOS PÚBLICOS

3. Perfore orificios en el lugar de la nueva instalación



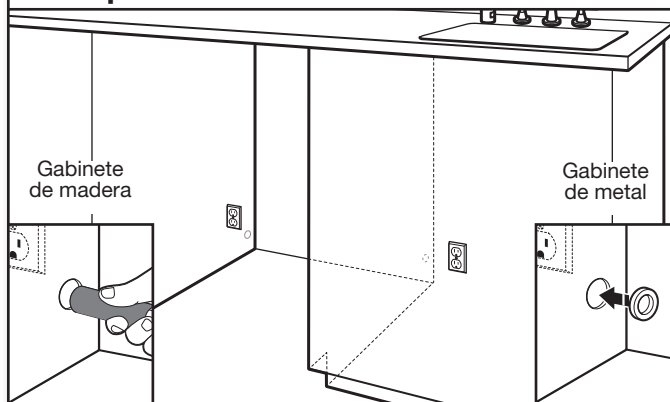
NOTA: Consulte la sección "Medidas del producto y de la abertura del gabinete" para la ubicación correcta del orificio y las medidas de la zona sombreada.

Taladre un orificio para la manguera de desagüe de 1 1/2" (3,8 cm) en la parte trasera o lateral del gabinete, dependiendo de la ubicación del paso de la manguera de desagüe y de la conexión a la manguera de desagüe.

Taladre un orificio para la manguera de suministro de agua de 1/2" (1,27 cm) en la parte trasera o lateral del gabinete, dependiendo de la ubicación del paso de la manguera de suministro de agua y de la ubicación de la conexión.

Taladre un orificio de 1 1/2" (3,8 cm) para el orificio del cable eléctrico en la parte derecha o trasera del gabinete.

4. Lije los orificios hasta que queden lisos



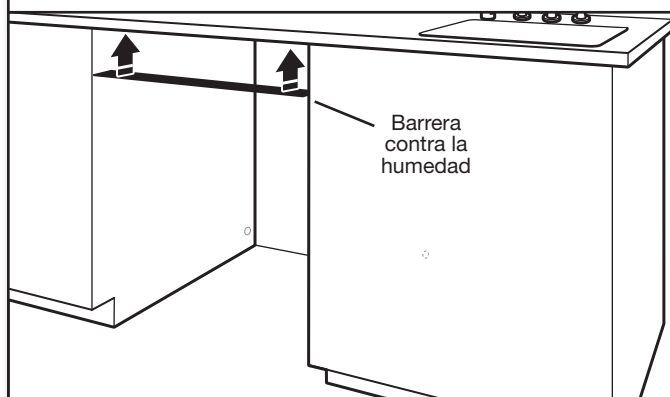
Gabinete de madera: Lije el orificio hasta que quede liso.

Gabinete de metal: Cubra los bordes del orificio con el pasacables incluido en el kit del cable de alimentación. Vea la sección "Herramientas y piezas" para obtener detalles acerca de las piezas.

Consejo útil: Será más fácil conectar la lavavajillas si dirige el cable dentro de la abertura del armario desde el lado derecho.

BARRERA PARA LA HUMEDAD: RECOMENDADO PARA LOS MOSTRADORES DE MADERA

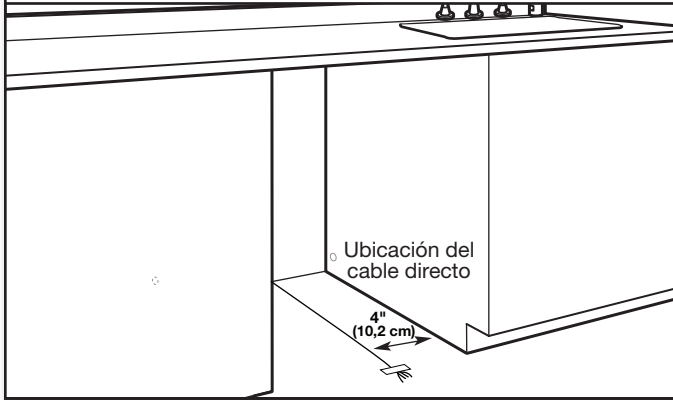
5. Suplementos para barrera contra la humedad/madera



Compruebe que la zona bajo el gabinete está limpia y seca para la instalación de la barrera contra la humedad. Retire la parte trasera de la barrera contra la humedad y aplique a la parte inferior de la barra de cocina a lo largo del borde delantero de la misma.

CONEXIÓN POR CABLE DIRECTO

6. Dirija el cable



Si la conexión es por cable directo, conecte el cable a 4" (10,2 cm) desde el lado derecho del gabinete para alinearlos con el canal en la parte inferior de la lavavajillas.

Pegue el cable al piso con cinta adhesiva en la zona indicada. Esto ayudará a fijar el cable cuando se mueva la lavavajilla a la abertura del gabinete durante la conexión por cable directo.

PREPARE LA LAVAVAJILLAS

⚠ ADVERTENCIA



Peligro de Vuelco

No use la lavavajillas antes de estar completamente instalada.

No se apoye en la puerta abierta.

No seguir estas instrucciones puede ocasionar heridas serias o cortaduras.

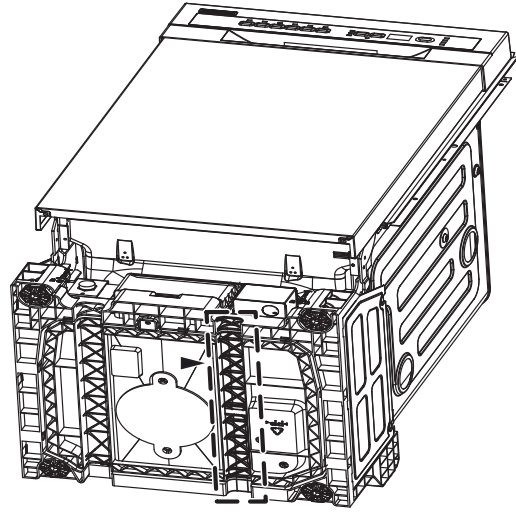
⚠ ADVERTENCIA

Peligro de Peso Excesivo

Use dos o más personas para mover e instalar la lavavajillas.

No seguir esta instrucción puede ocasionar una lesión en la espalda u otro tipo de lesiones.

7. Ponga la lavavajillas en su parte posterior



Parte inferior de la lavavajillas

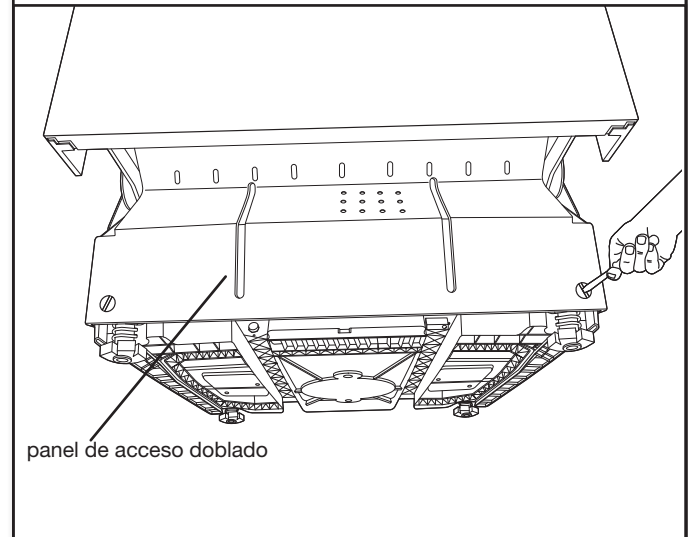
Consejo útil: Coloque un cartón debajo de la lavavajillas y no lo quite hasta que la misma quede instalada en la abertura del gabinete, para evitar daños al revestimiento del piso.

Con la ayuda de dos o más personas, sujete los lados del marco de la puerta de la lavavajillas y apoye la lavavajillas sobre su parte posterior.

No utilice el panel de la puerta como mesa de trabajo sin antes cubrirlo con una toalla para no rayar el mismo.

RETIRE EL PANEL DE ACCESO DOBLADO

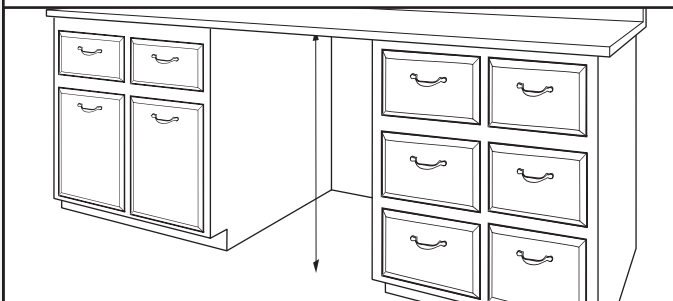
8. Retire el panel de acceso doblado



panel de acceso doblado

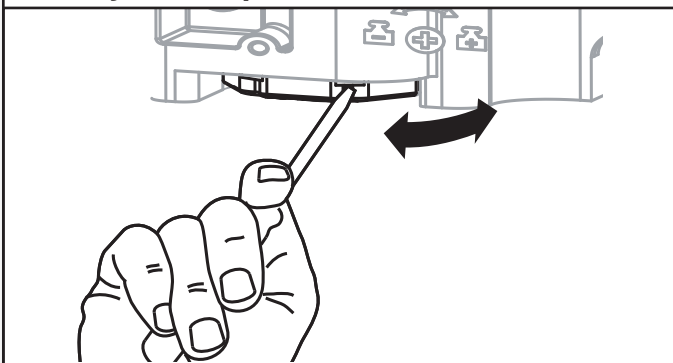
Con un destornillador Phillips, retire los dos tornillos que fijan el panel del acceso doblado al lavavajillas.

9. Mida la abertura del armario



Determine la altura de la abertura del gabinete desde el lado inferior de la barra de cocina al piso donde se va a instalar la lavavajillas. Asegúrese de medir desde el punto más bajo del lado inferior de la barra de cocina y desde el punto más elevado del piso.

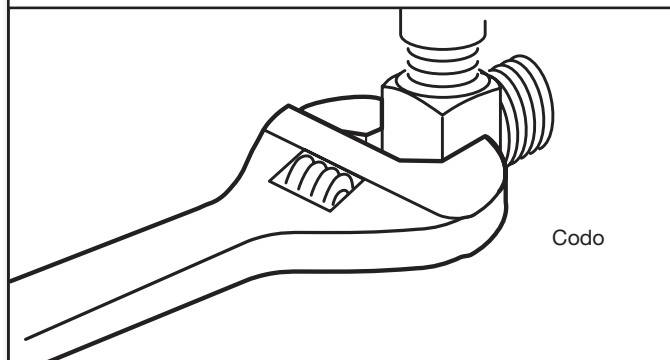
10. Ajuste de pata niveladora



Extienda las patas niveladoras fuera de la base de la lavavajillas, a 1/4" (63,5 cm) menos que la altura más baja de la abertura medida. Gire las patas en el sentido contrario a las manecillas del reloj para levantar la lavavajillas o gire en el sentido de las manecillas del reloj para bajarla.

CONEXIÓN DE CODO A VÁLVULA

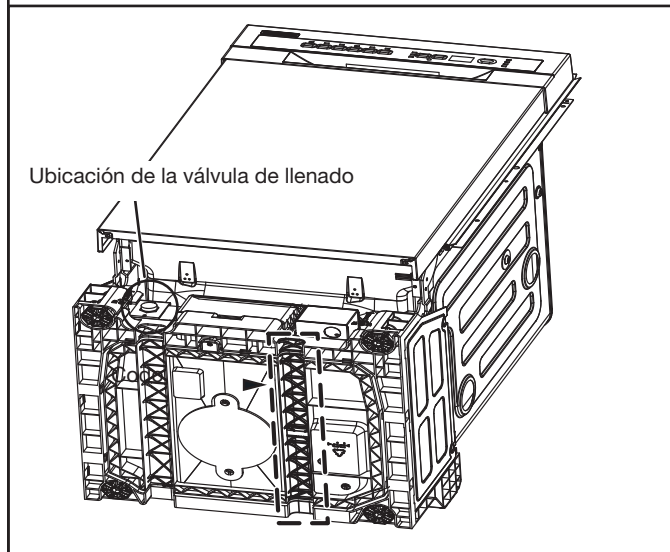
11. Conexión de codo a válvula de llenado



Aplice cinta para sellar para rosca al codo de 90° y conecte el mismo a la válvula de llenado.

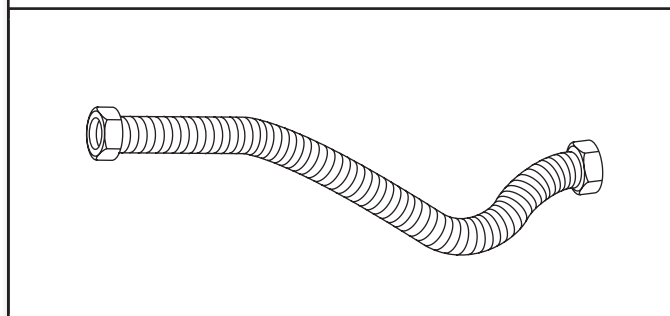
Aprieta el codo hasta que quede ajustado, y asegúrate de que esté orientado hacia el canal en la parte inferior de la base.

12. Ubicación de la válvula de llenado



CONEXIÓN DE MANGUERA DE LLENADO A CODO

13. Tubería flexible



Tubería trenzada flexible: Compruebe que la tubería trenzada flexible posea la longitud suficiente.

Fije la tubería flexible al codo y pásela hacia afuera por el canal inferior izquierdo bajo la lavavajillas. Fije en el canal con cinta o ligaduras de alambre.

CONEXIÓN DEL CABLE DE ALIMENTACIÓN

⚠️ ADVERTENCIA



Peligro de Choque Eléctrico

Conecte a tierra la lavavajillas.

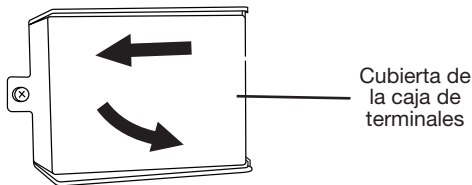
Conecte el alambre de conexión a tierra al conector verde de conexión a tierra en la caja de conexiones.

No use extensiones eléctricas.

No seguir estas instrucciones puede ocasionar la muerte, incendio o choque eléctrico.

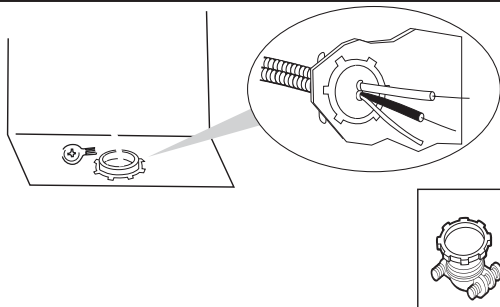
NOTA: Si se retira una lavavajillas anterior con cable de alimentación, debe conectar dicho cable a la lavavajillas nueva.

14. Quite la cubierta de la caja de terminales



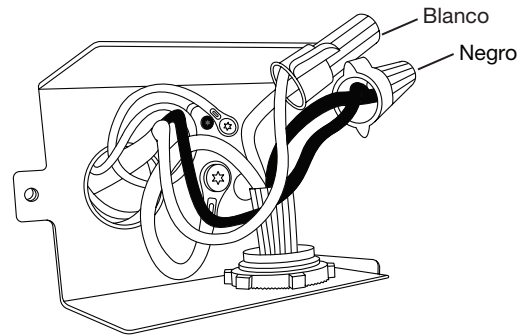
Quite el tornillo que fija la tapa de la caja de terminales. Retire la cubierta deslizándola hacia arriba y sacando sus enganches del orificio. Guarde esta cubierta para usarla más tarde.

15. Instale el protector de cables



Instale un protector de cables con certificación UL/homologación CSA. Compruebe que las cabezas de los tornillos están orientadas hacia arriba al apretar la tuerca de la tubería. Se proporciona un protector de cables con el kit de cable de alimentación. Vea la sección "Herramientas y piezas" para obtener detalles e información de pedidos.

16. Cable de alimentación: dirija el cable dentro de la caja de terminales



Seleccione conectores de torsión con certificación UL/homologación CSA del tamaño adecuado. Vea la sección "Herramientas y piezas" para obtener detalles acerca de las piezas. Conecte los cables, negro con negro y blanco con blanco, mediante los conectores de torsión.

NOTA: No enrosque el cable trenzado previamente. Gire el conector de torsión. Tire con suavidad de los cables para comprobar que están firmes.

Disponga el cable de forma que no toque el motor o la parte inferior de la tina de la lavavajillas. Jale el cable a través del protector de cables en la caja de terminales.

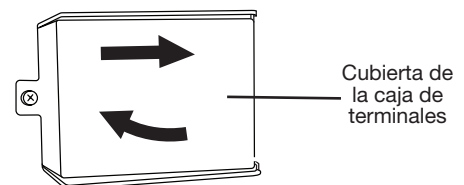
NOTA: Se permite un máximo de dos conductores de cable de alimentación (tamaño máximo 12 AWG) y un conductor de conexión a tierra en la caja de terminales.

Retire el tornillo del conector a tierra en la superficie elevada dentro de la caja y pásela por la anilla de terminal del cable a tierra verde del cable de alimentación. Reinstale y apriete el tornillo del conector a tierra a la superficie elevada de la caja. Apriete los tornillos del protector de cables para asegurar el cable.

Configuración del cableado

Cable de suministro eléctrico:	Cable de la caja de terminales:
blanco	blanco
negro	negro
hilo de puesta a tierra	conector de puesta a tierra

17. Cable de alimentación: vuelva a instalar la cubierta de la caja de terminales y los cables

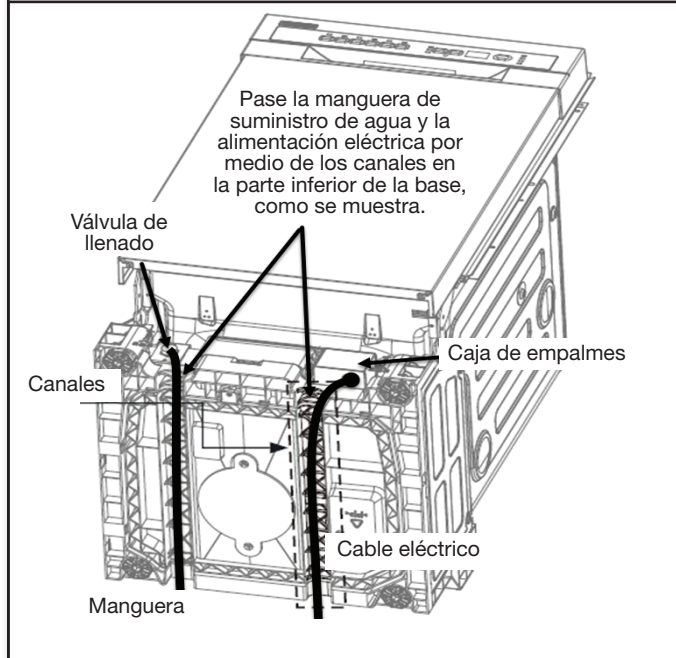


Coloque los cables dentro de la caja de terminales. Sustituya la cubierta insertando los enganches de la cubierta de la caja de terminales en los orificios de la parte inferior de la caja de terminales, y deslice la cubierta apretándola contra la pared inferior donde se introducen los cables. Compruebe que los cables están dentro de la caja y no aprisionados contra la cubierta.

NOTA: Conecte el cable de alimentación por el canal inferior trasero proporcionado. No enchufe el cable a una toma hasta que se le indique.

UBICACIÓN DEL CANAL DE CONEXIÓN DE SERVICIOS DE SERVICIOS

18. Manguera de suministro de agua, ubicaciones de conexión de canal de alimentación



Conecte el suministro de agua y eléctrico en la parte trasera de la unidad por medio de los canales de la base inferior que se proporcionan. Fije los servicios en el canal con cinta o ligaduras de alambre.

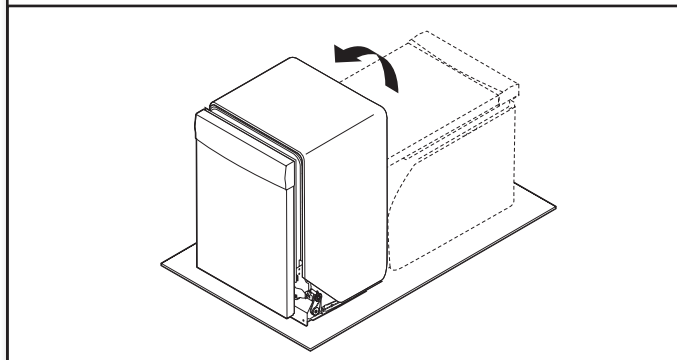
⚠ ADVERTENCIA

Peligro de Peso Excesivo

Use dos o más personas para mover e instalar la lavavajillas.

No seguir esta instrucción puede ocasionar una lesión en la espalda u otro tipo de lesiones.

19. Ponga la lavavajillas de pie



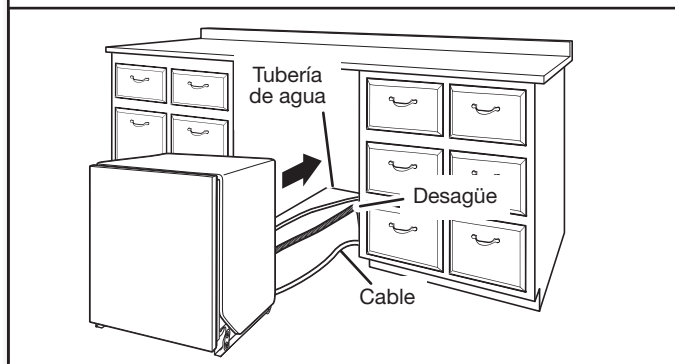
Con la ayuda de dos o más personas, ponga la lavavajillas en posición vertical.

NOTA: No instale la placa de protección hasta que se le indique.

La lavavajillas puede calzar estrechamente en la abertura del gabinete. No quite la manta aislante, ya que la misma reduce el nivel de sonido.

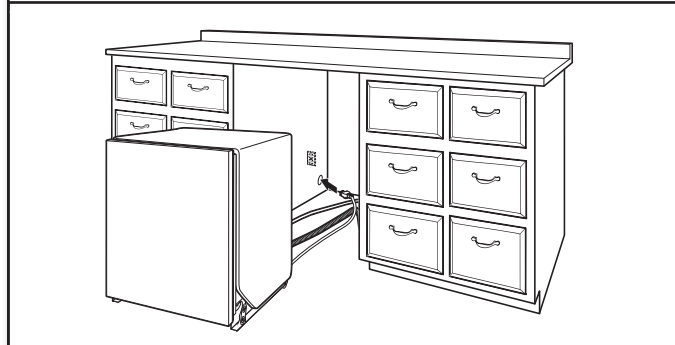
NOTA: Pase el suministro de agua, la manguera de desagüe y el cable de alimentación por la parte trasera de la lavavajillas.

20. Mueva la lavavajillas cerca de la abertura del armario.



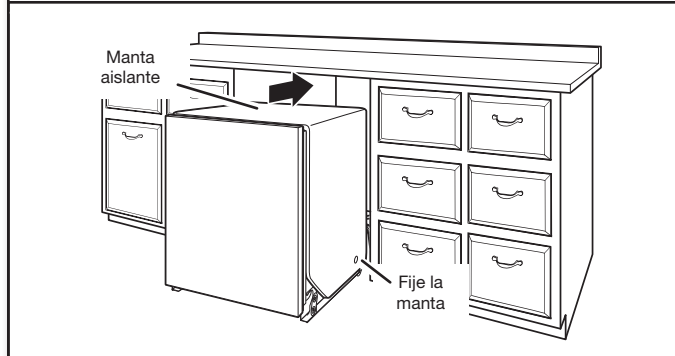
Pase los elementos a través de los orificios en el gabinete y tire para tensarlos mientras se introduce la lavavajillas en el gabinete.

21. Pase el cable de alimentación



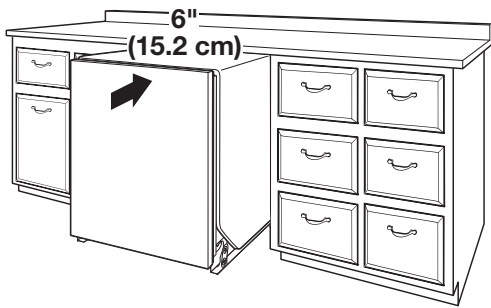
Si se utiliza un cable de alimentación, asegúrese de pasar el extremo por el orificio en la parte recortada antes de deslizar la lavavajillas en la abertura del gabinete.

22. Fije la manta aislante



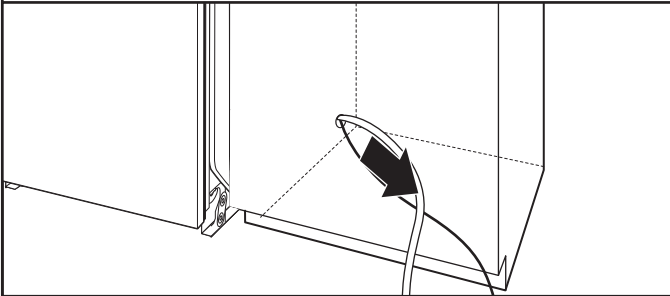
NOTA: Compruebe que la manta aislante está fijada a las esquinas izquierda y derecha trasera antes de empujar a la abertura del gabinete para evitar que la manta se pliegue en un gabinete estrecho.

23. Introduzca la lavavajillas en la abertura del gabinete dejando que sobresalga 6" (15,2 cm)



NOTA: Deje que la unidad sobresalga unos 6" (15,2 cm) del gabinete para instalar los soportes de anclaje y ajustar la tensión de la puerta si es necesario.

24. Tire del cableado flojo de los servicios

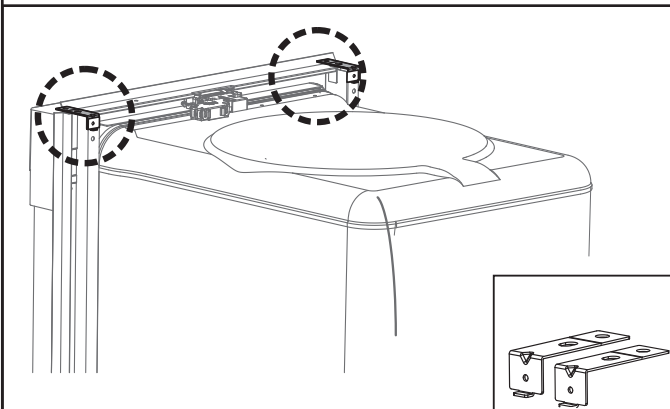


NOTA: Tire de los elementos de suministro para tensarlos mientras se introduce la lavavajillas en la abertura del gabinete para evitar dobleces.

SELECCIÓN DEL MÉTODO DE SUJECIÓN DE ANCLAJE

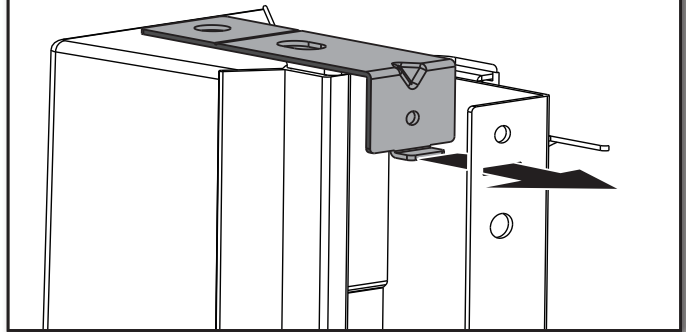
OPCIÓN N.º 1 INSTALAR LOS SOPORTES DE ANCLAJE PARA LA FIJACIÓN BAJO EL MOSTRADOR

25. Soportes de anclaje superiores



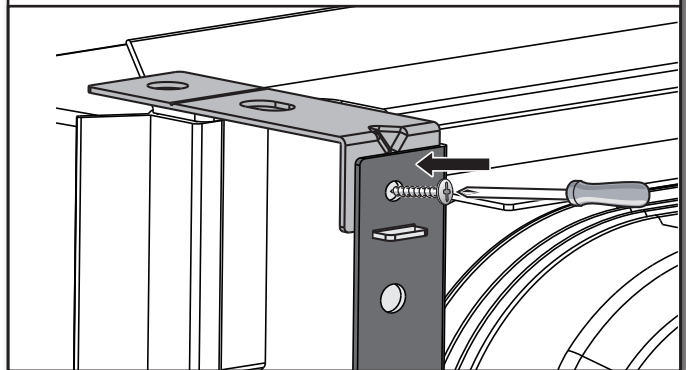
La lavavajillas debe fijarse al mostrador por medio de los dos soportes ubicados en la parte superior de esta.

26. Instale los soportes en las ranuras



Instale ambos soportes superiores en las ranuras del cuello de la cuba.

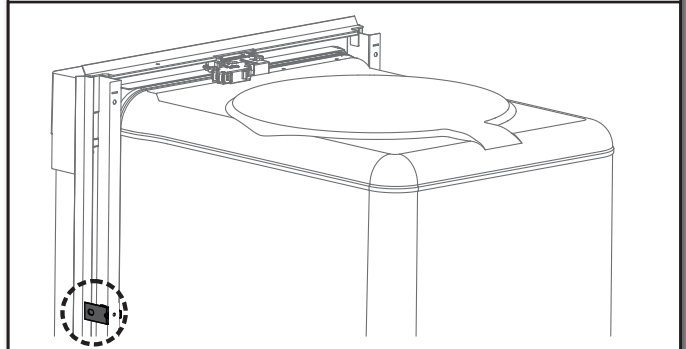
27. Fije los tornillos del soporte



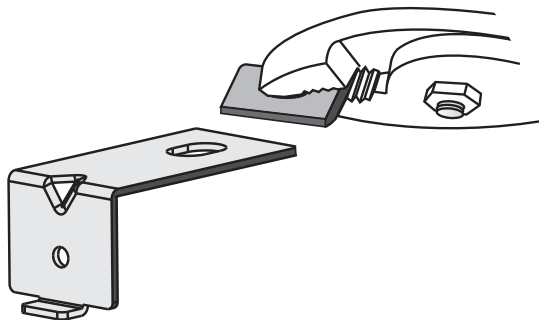
Fije el soporte al cuello de la cuba con el tornillo suministrado.

OPCIÓN N.º 2 INSTALAR LOS SOPORTES DE MONTAJE LATERAL SI REALIZA UN MONTAJE LATERAL

28. Ubicación del soporte de montaje lateral

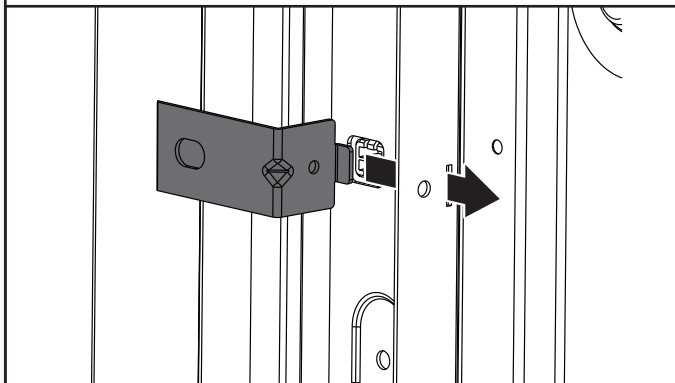


29. Quiebre la pestaña



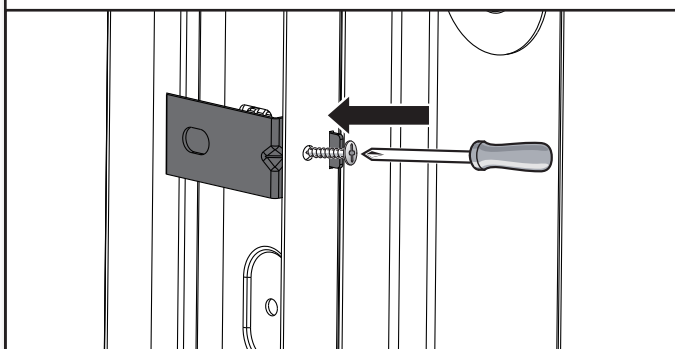
Quiebre la pestaña en la línea ranurada para el montaje lateral.

30. Inserte el soporte en la ranura



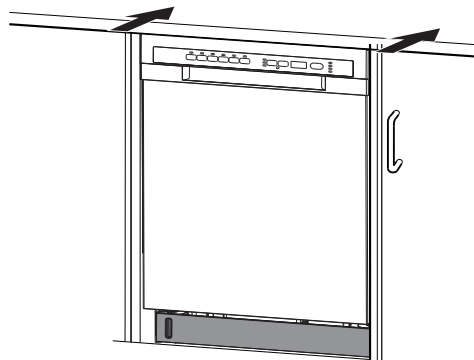
Inserte los soportes en las ranuras de cada lado del cuello de la cuba.

31. Asegure el montaje lateral con un tornillo



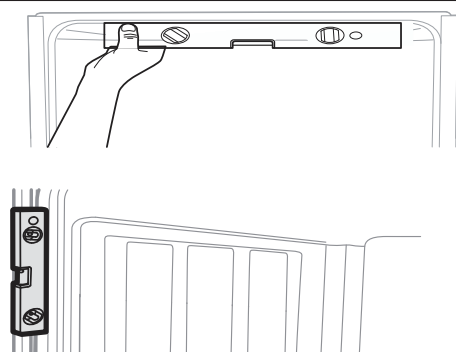
Fije los soportes en las ranuras con los tornillos suministrados.

32. Deslice completamente en el corte



Con las fijaciones de montaje superiores o laterales, deslice la unidad en el corte hasta que quede a ras con los gabinetes.

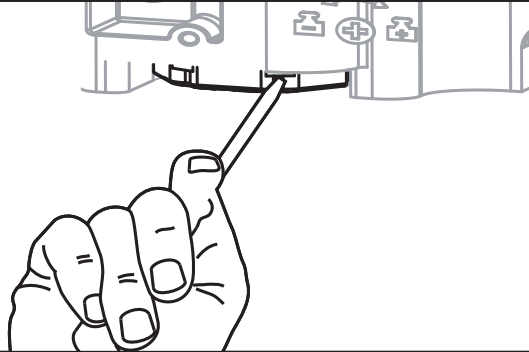
33. Nivele la unidad de adelante hacia atrás y de lado a lado



Con un nivel, ajuste las patas, si es necesario.

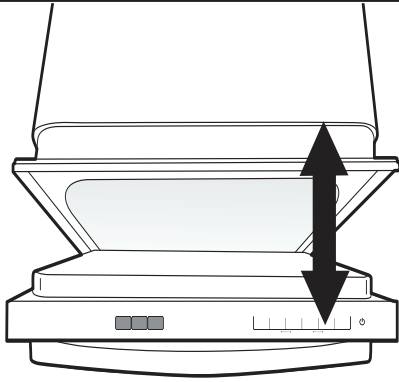
Use un nivel para verificar que la lavavajillas esté nivelada de adelante hasta atrás. Si la lavavajillas no está nivelada de adelante hacia atrás, ajuste la altura de la pata trasera hasta que esté nivelada. Abra la puerta de la lavavajillas y verifique que la holgura de la puerta y la cuba sea correcta. Si no, gire las patas de nivelado en la parte inferior delantera de la lavavajillas. También puede verificar esto ubicando un nivel contra una superficie vertical delantera dentro de la cuba.

34. Ajuste de patas niveladoras



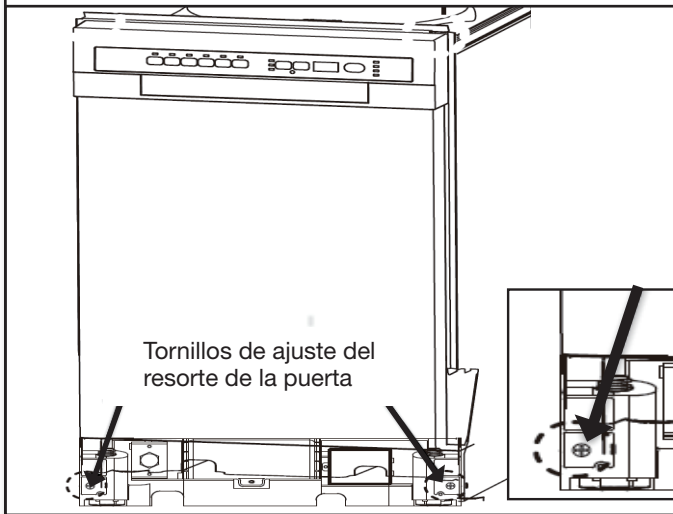
Gire las patas en el sentido contrario a las manecillas del reloj para levantar la lavavajillas o gire en el sentido de las manecillas del reloj para bajarla.

35. Abra y cierre la puerta



Abra y cierre la puerta para verificar la tensión de los resortes.

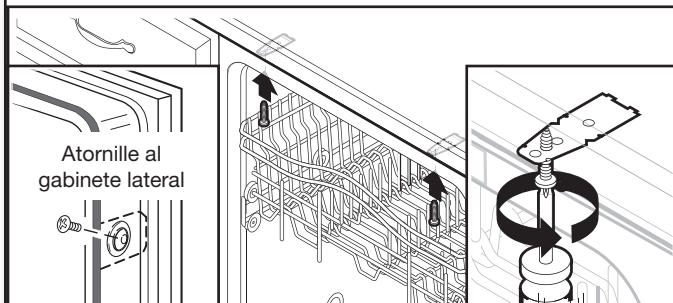
36. Ajuste la tensión del resorte de la puerta



Si es necesario, ajuste la tensión de los resortes con un destornillador Phillips. Gire los tornillos en el sentido de las manecillas del reloj para aumentar la tensión o en el sentido contrario para disminuirla.

Si el resorte se ajusta hasta el punto de tensión máximo y la puerta aún se cae rápidamente después de abrirse, se recomienda instalar los resortes suministrados con el producto que están dentro de la bolsa de accesorios. Después de reemplazar los resortes, vuelva a leer los pasos 35 y 36.

37. Fije la lavavajillas



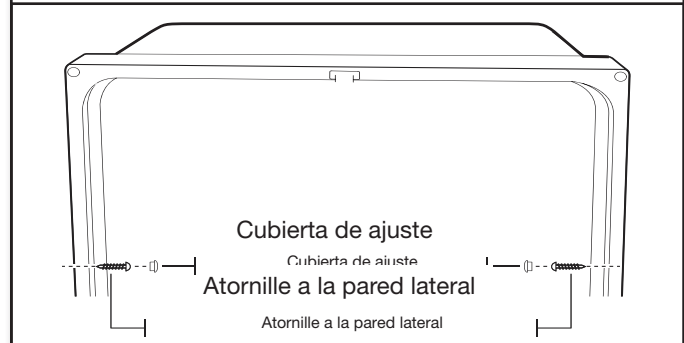
Abra la puerta de la lavavajillas como preparativo para fijar la lavavajillas al mostrador o al lado del gabinete.

NOTAS:

- La lavavajillas se debe fijar para que no se mueva al abrir o cerrar la puerta.

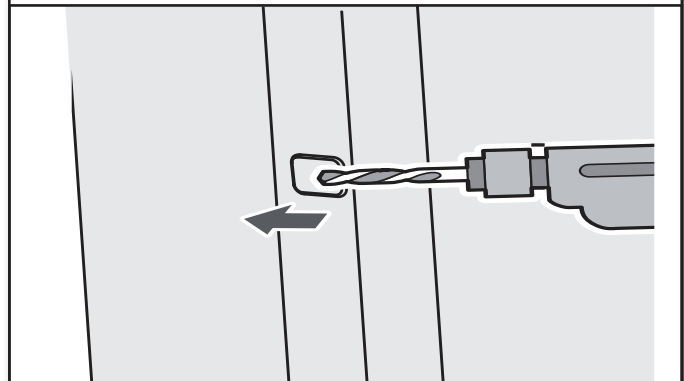
- No deje que los tornillos caigan al fondo de la lavavajillas.
- Localice los soportes instalados en la sección "Selección de método de fijación de anclaje", bien en la parte superior o los lados de la lavavajillas.
- Para el anclaje al mostrador: fije la lavavajillas al mostrador con dos tornillos Phillips (proporcionados).
- Para el anclaje lateral: taladre orificios de guía en el gabinete para no agrietar la madera. Fije la lavavajillas al gabinete con dos tornillos Phillips (proporcionados). Retire el estante superior para facilitar el acceso. Consulte las instrucciones en la Guía de uso y cuidados para retirar el estante superior si es necesario.

38. Método de fijación de montaje lateral



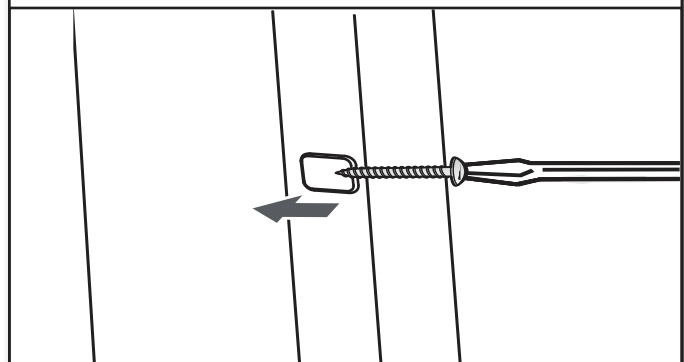
Quite las tapas plásticas que cubren los orificios de los tornillos de cada lado.

39. Taladre orificios piloto



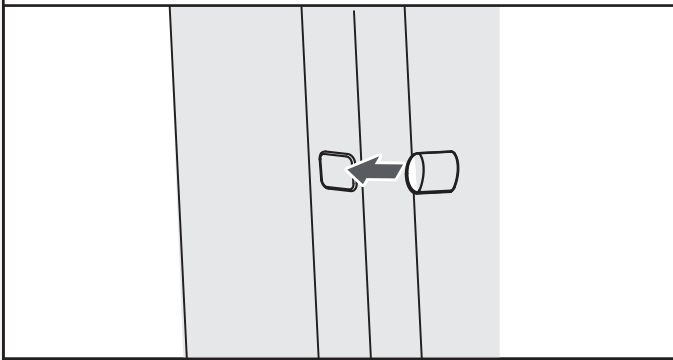
Para el anclaje lateral: taladre orificios de guía en el gabinete para no agrietar la madera.

40. Instale los tornillos



Fije la lavavajillas al gabinete con dos tornillos Phillips (proporcionados). Retire el estante superior para facilitar el acceso. Consulte las instrucciones en la Guía para el usuario para retirar el estante superior si es necesario.

41. Vuelva a colocar las tapas de plástico



Vuelva a colocar las tapas plásticas para cubrir las cabezas de los tornillos.

CONEXIÓN ELÉCTRICA POR CABLE DIRECTO

⚠ ADVERTENCIA



Peligro de Choque Eléctrico

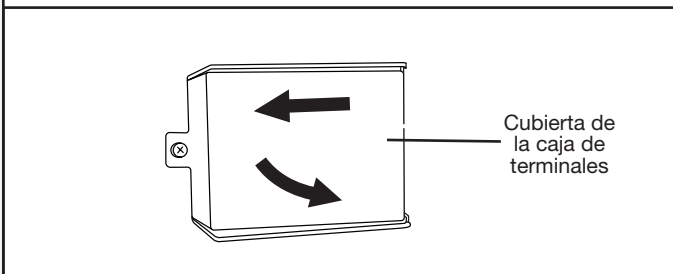
Conecte a tierra la lavavajillas.

Conecte el alambre de conexión a tierra al conector verde de conexión a tierra en la caja de conexiones.

No use extensiones eléctricas.

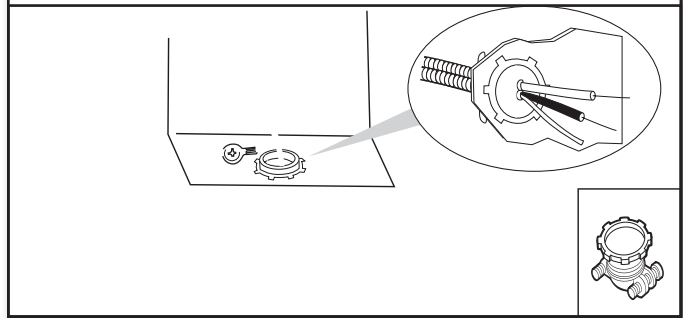
No seguir estas instrucciones puede ocasionar la muerte, incendio o choque eléctrico.

42. Quite la cubierta de la caja de terminales



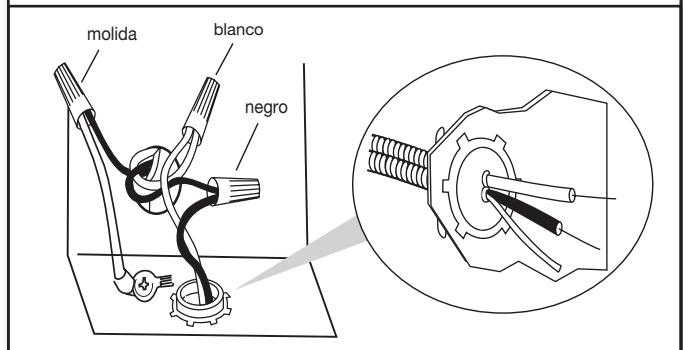
Quite el tornillo que fija la tapa de la caja de terminales. Retire la cubierta deslizándola hacia arriba y sacando sus enganches de la ranura. Guarde la cubierta para su uso en posterior.

43. Instale el protector de cables



Instale un protector de cables con certificación UL/homologación CSA. Compruebe que las cabezas de los tornillos están orientadas hacia arriba al apretar la tuerca de la tubería. Se proporciona un protector de cables con el kit de cable de alimentación. Vea la sección "Herramientas y piezas" para obtener detalles e información de pedidos.

44. Cable directo - Dirija el cable dentro de la caja de terminales



Seleccione conectores de torsión con certificación UL/homologación CSA del tamaño adecuado. Consulte la sección "Herramientas y piezas" al principio de la guía para los detalles de pieza. Conecte los cables, negro con negro y blanco con blanco, mediante los conectores de torsión.

NOTA: No enrosque el cable trenzado previamente. Gire el conector de torsión. Tire con suavidad de los cables para comprobar que están firmes.

Dirija el cable de manera que no toque el motor de la lavavajillas ni la parte inferior de la tina de la misma. Jale el cable a través del protector de cables que está en la lista de UL y aprobado por CSA dentro de la caja de terminales.

NOTA: En la caja de terminales, se permiten como máximo dos conductores de alambres de suministro en campo (el tamaño más grande de 12 AWG) y un conductor para la conexión a tierra.

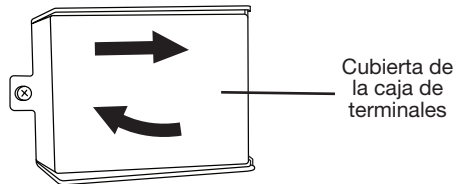
Haga un gancho en forma de "U" con el alambre a tierra desnudo. Enrolle el gancho de alambre a tierra en forma de gancho hacia la derecha, alrededor del tornillo del conector a tierra en el piso levantado dentro de la caja y debajo de la arandela. Apriete el conector de puesta a tierra con firmeza.

Apriete los tornillos del protector de cables para asegurar el cable. Asegúrese de que las cabezas de los tornillos miren hacia arriba cuando apriete la tuerca del conducto.

Configuración del cableado

Cable de suministro eléctrico:	Cable de la caja de terminales:
blanco	blanco
negro	negro
hilo de puesta a tierra	conector de puesta a tierra

45. Cable de alimentación: vuelva a instalar la cubierta de la caja de terminales y los cables

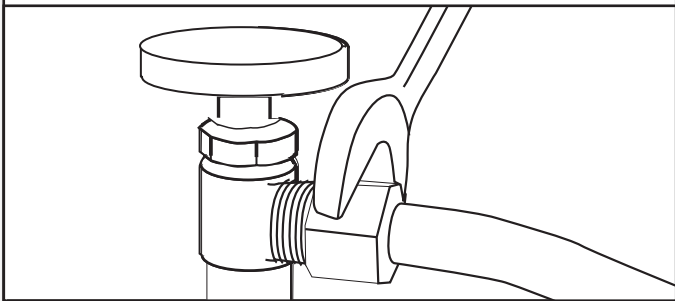


Coloque los cables dentro de la caja de terminales. Sustituya la cubierta insertando los enganches de la cubierta de la caja de terminales en los orificios de la parte inferior de la caja de terminales, y deslice la cubierta apretándola contra la pared inferior donde se introducen los cables. Compruebe que los cables están dentro de la caja y no aprisionados contra la cubierta.

CONEXIÓN DE TUBERÍA DE AGUA A MANGUERA DE VÁLVULA DE CIERRE DEL HOGAR

NOTA: Si se utiliza una manguera trenzada flexible, sustituya la manguera de entrada después de 5 años para reducir el riesgo de fallas. Para consulta en el futuro, anote en la manguera la fecha de instalación o la fecha de reposición de la misma.

46. Sujete la línea de suministro de agua



Fije la tubería de suministro de agua (tubería de cobre o tubería trenzada flexible de suministro de agua) a la tubería de suministro de agua caliente mediante una conexión que cumpla con los códigos y ordenanzas locales. El suministro de agua a la lavavajillas deberá tener una válvula de cierre manual ubicada debajo del lavadero.

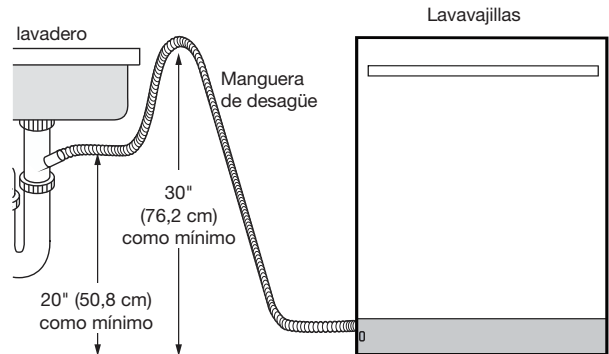
CONEXIÓN DE LA MANGUERA DE DESAGÜE

47. Conecte la manguera de desagüe

Conecte la manguera de desagüe al tubo de residuos en "T" o al colector de residuos mediante una de las siguientes opciones:

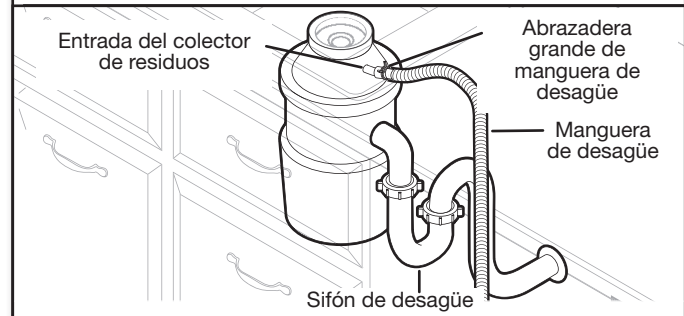
- Opción A: Recipiente de desechos - sin purga de aire
- Opción B: Sin recipiente de desechos - sin purga de aire
- Opción C: Recipiente de desechos - con purga de aire
- Opción D: Sin recipiente de desechos - con purga de aire

Consejo útil: Para reducir la vibración de la manguera, manténgala lejos del piso.



IMPORTANTE: La conexión de la manguera de desagüe del colector de residuos o del tubo de residuos en "T" se debe realizar antes de la purga de aire y como mínimo a 20" (50,8 cm) sobre el piso donde se instalará la lavavajillas. La manguera de drenaje debe quedar a un mínimo de 30" (76,2 cm) del piso y fijarse al gabinete o la parte inferior del mostrador.

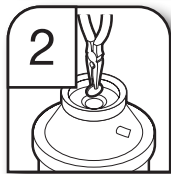
Opción A: Recipiente de desechos: sin purga de aire



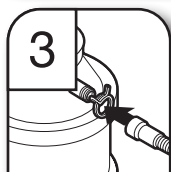
Consejo útil: Retire el tapón de abertura del colector de residuos.



1. Golpee el tapón del colector de residuos con un martillo y un destornillador.

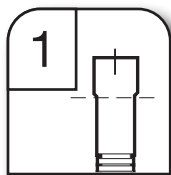
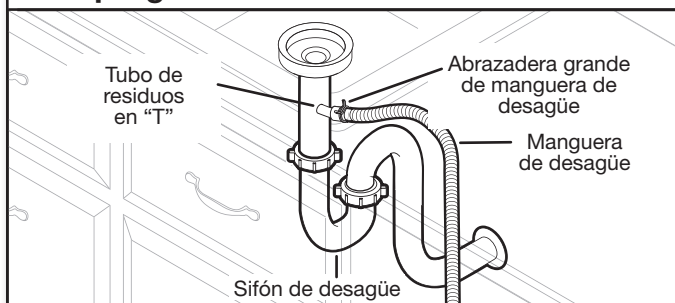


2. Utilice alicates de punta fina para quitar el tapón.



3. Fije la manguera de desagüe a la entrada del colector de residuos con una abrazadera grande de manguera de desagüe de 1" (2,5 cm) a 1½" (3,8 cm) (proporcionada).

Opción B: Sin recipiente de desechos: sin purga de aire



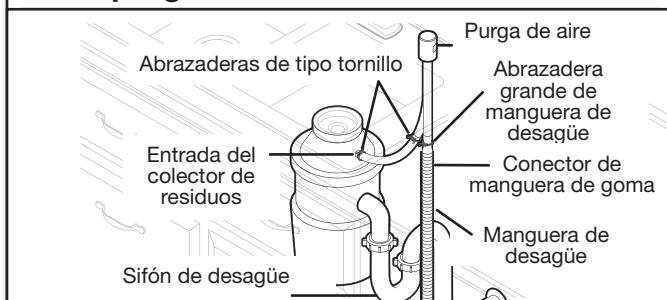
1. Conecte el extremo de goma de la manguera de desagüe al tubo de residuos en "T".

Extremo de goma



2. Sujete el extremo de goma de la manguera de desagüe al tubo de residuos en "T" con una abrazadera de manguera de desagüe. Use una abrazadera de tipo tornillo de 1" a 1½" (2,5 a 3,8 cm).

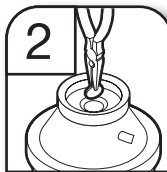
Opción C: Recipiente de desechos - con purga de aire



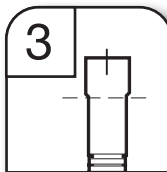
Consejo útil: Retire el tapón de abertura del colector de residuos.



1. Golpee el tapón del colector de residuos con un martillo y un destornillador.



2. Utilice alicates de punta fina para quitar el tapón.

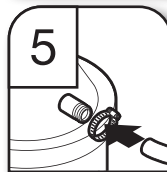


3. Conecte el extremo de goma de la manguera de desagüe a la purga de aire.

Extremo de goma

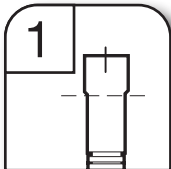
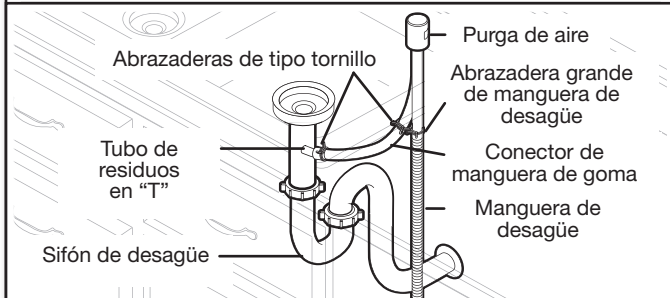


4. Sujete el extremo de goma de la manguera de desagüe a la purga de aire con una abrazadera de manguera. Use una abrazadera de tipo tornillo de 1" a 1½" (2,5 a 3,8 cm).



5. Use una manguera de goma (no provista) con las abrazaderas tipo tornillo para conectarlas desde la purga de aire hasta la entrada del recipiente de desechos.

Opción D: Sin recipiente de desechos - con purga de aire

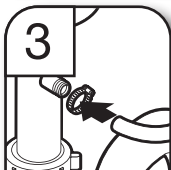


1. Conecte el extremo de goma de la manguera de desagüe a la purga de aire.

Extremo de goma



2. Sujete la manguera de desagüe a la purga de aire. Use una abrazadera de tipo tornillo de 1" a 1 1/2" (2,5 a 3,8 cm).



3. Utilice una manguera de goma (no proporcionada) con las abrazaderas de tipo tornillo (no proporcionadas) para conectarlas desde el tubo de residuos en "T" hasta la purga de aire.

COMPLETAR LA INSTALACIÓN

Compruebe que el cable de suministro eléctrico no entra en contacto con el motor o con la parte inferior de la tina de la lavavajillas.

⚠ ADVERTENCIA



Peligro de Choque Eléctrico

Conecte a un enchufe de pared de conexión a tierra de 3 terminales.

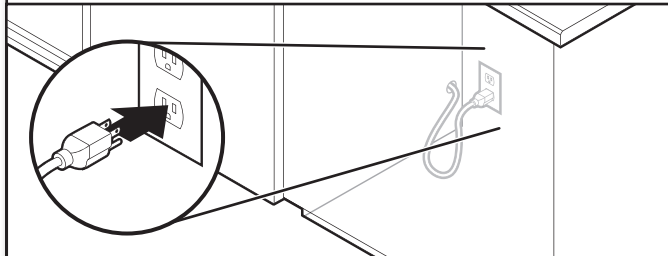
No quite la terminal de conexión a tierra.

No use un adaptador.

No use un cable eléctrico de extensión.

No seguir estas instrucciones puede ocasionar la muerte, incendio o choque eléctrico.

48. Cable de suministro eléctrico: enchúfelo en un tomacorriente de 3 terminales con conexión a tierra.



Enchufe en un tomacorriente de 3 terminales con conexión a tierra

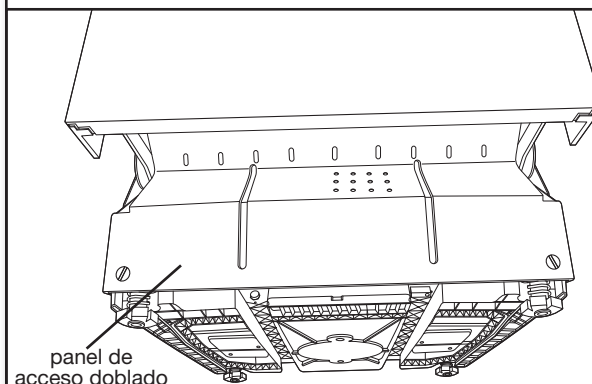
49. Reconecte el suministro de energía

Reconecte el suministro de energía en la caja de fusibles o la caja de cortacircuitos.

NOTA: Con el panel de acceso retirado, ponga la lavavajillas en marcha y deje que complete el ciclo de lavado más corto. Después de los 2 primeros minutos, desbloquee la puerta, espere 5 segundos y luego ábrala. Compruebe si hay agua en la parte inferior de la tina de la lavavajillas. Compruebe que la lavavajillas funciona de forma adecuada.

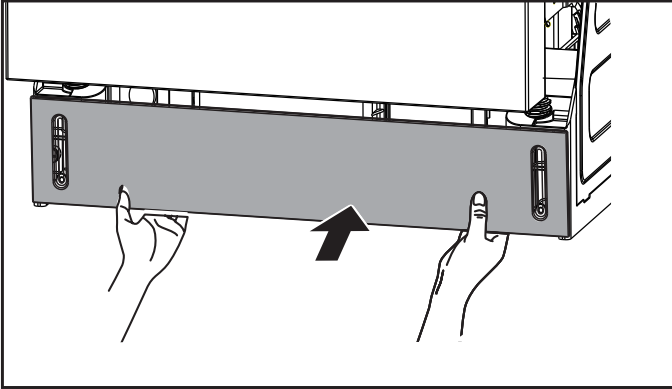
INSTALE EL PANEL DE ACCESO

50. Instale el panel de acceso doblado



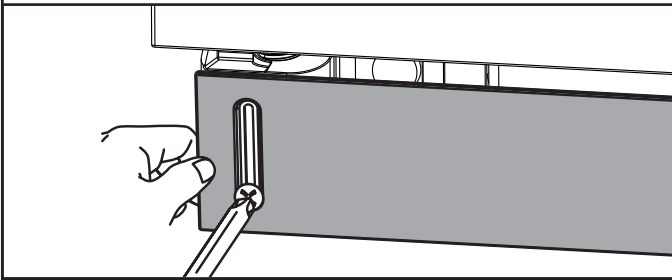
Coloque el panel doblado en contra de las patas del lavavajillas.

51. Instale el panel de acceso plano frente al panel doblado



Ubique el panel plano frente al panel doblado. Con un destornillador Phillips instale los tornillos por los orificios del panel de acceso.

52. Fijar con tornillos



Compruebe que el borde inferior del panel de acceso esté en contacto con el piso. Regúlelo si es necesario.

Apriete los tornillos del panel de acceso.

VERIFIQUE EL FUNCIONAMIENTO

- Consulte la Guía del usuario de la lavavajillas proporcionada con la lavavajillas.
- Verifique que todas las piezas hayan sido instaladas y que no se haya saltado ningún paso. Verifique que haya usado todas las herramientas.

Si la lavavajillas no funciona de forma adecuada, desconecte el suministro de energía o desenchufe la lavavajillas y consulte la sección "Funcionamiento inadecuado de la lavavajillas".

SI NO FUNCIONA EL LAVAVAJILLAS

Pruebe primero las soluciones aquí sugeridas y posiblemente se evite el costo de una visita de servicio técnico.

- ¿Se ha disparado el cortacircuitos o se ha quemado el fusible de la casa?
- ¿Se ha cerrado y trabado bien la puerta?
- ¿Se ha seleccionado correctamente el ciclo para poner en marcha la lavavajillas?
- ¿Está abierta la llave del agua?

Si no funciona ninguna de estas soluciones, consulte la Guía del usuario para obtener la información de contacto del servicio técnico.

CONSEJOS ADICIONALES

El lavado tomará más tiempo. Su nueva lavavajillas tardará un promedio de 2 a 5 horas por carga, pero utiliza un 40 % menos de electricidad que modelos anteriores. Su lavavajillas se ha diseñado con un motor de bajo voltaje y de bajo consumo de energía; por ello, lava durante períodos más prolongados para garantizar una limpieza excepcional. Algunos modelos están equipados con un sensor de agua óptico, de modo que el primer ciclo funcionará por más tiempo para calibrar el sensor óptico. El seleccionar ciertas opciones podría incrementar el tiempo del ciclo a más de 3,5 horas.

El agente de enjuague es esencial para lograr buenos resultados en el secado: Esta lavavajillas se ha diseñado para usarse con un agente de enjuague para obtener un buen secado y para limitar la acumulación de depósitos de agua dura. Las lavavajillas que ahorran energía usan menos agua y energía, de modo que dependen de la acción de desplazamiento del agua por obra del agente de enjuague, para realizar un buen secado.

TABLE DES MATIÈRES

SÉCURITÉ DU LAVE-VAISSELLE	43	Routage direct du câblage	50
EXIGENCES D'INSTALLATION	44	Préparation du lave-vaisselle.....	50
Outils et pièces	44	Retirer le panneau d'accès courbé.....	51
Dimensions du produit et de		Branchement du coude à la vanne	51
l'emplacement d'installation de 18 po :.....	46	Branchement du tuyau de distribution au coude	51
Dimensions du produit et de		Branchement du câble électrique.....	52
l'emplacement d'installation de 24 po :.....	47	Emplacement du canal de routage de service	53
Exigences d'emplacement	48	Choix de l'option de fixation.....	54
Exigences d'évacuation.....	48	Méthode de raccordement électrique direct	57
Spécifications de l'alimentation en eau	48	Branchement de l'arrivée d'eau au	
Spécifications électriques.....	48	robinet d'arrêt de la maison.....	58
INSTRUCTIONS D'INSTALLATION	49	Branchement du tuyau de vidange.....	59
Préparation de l'ouverture d'encastrement		Terminer l'installation	61
de l'armoire – nouveaux raccordements de service	49	Réinstaller le panneau d'accès.....	61
Barrière anti-humidité — recommandée pour		Vérification du fonctionnement	62
les comptoirs en bois	49	Si le lave-vaisselle ne fonctionne	
		pas correctement.....	62
		Conseils supplémentaires.....	62

SÉCURITÉ DU LAVE-VAISSELLE

Votre sécurité et celle des autres est très importante.

Nous donnons de nombreux messages de sécurité importants dans ce manuel et sur votre appareil ménager. Assurez-vous de toujours lire tous les messages de sécurité et de vous y conformer.



Voici le symbole d'alerte de sécurité.

Ce symbole d'alerte de sécurité vous signale les dangers potentiels de décès et de blessures graves à vous et à d'autres.

Tous les messages de sécurité suivront le symbole d'alerte de sécurité et le mot "DANGER" ou "AVERTISSEMENT". Ces mots signifient :

⚠ DANGER

Risque possible de décès ou de blessure grave si vous ne suivez pas immédiatement les instructions.

⚠ AVERTISSEMENT

Risque possible de décès ou de blessure grave si vous ne suivez pas les instructions.

Tous les messages de sécurité vous diront quel est le danger potentiel et vous disent comment réduire le risque de blessure et ce qui peut se produire en cas de non-respect des instructions.

⚠ AVERTISSEMENT



Risque de basculement

Ne pas utiliser le lave-vaisselle jusqu'à ce qu'il soit complètement installé.

Ne pas appuyer sur la porte ouverte.

Le non-respect de ces instructions peut causer des blessures graves ou des coupures.

Il faut :

- Ouvrir lentement la porte du lave-vaisselle tandis qu'une autre personne saisit l'arrière de l'appareil. Enlever le matériau d'expédition et le tuyau de vidange. Fermer la porte du lave-vaisselle; elle doit s'enclencher.

REMARQUE : Chaque lave-vaisselle a été testé en usine — en raison de ces tests, il est possible qu'il reste un peu d'eau dans la cuve du lave-vaisselle.

- Observer les dispositions de tous les codes et règlements en vigueur.
- Installer le lave-vaisselle conformément aux prescriptions des présentes instructions.
- L'installation doit être exécutée par un technicien qualifié.
- Le lave-vaisselle doit être installé conformément aux dispositions de tous les codes et règlements locaux et nationaux régissant les installations de plomberie et d'électricité.

L'installation ou le retrait de l'appareil doit se faire avec précaution afin de réduire le risque d'endommagement du cordon d'alimentation.

AVERTISSEMENT : Afin de réduire le risque d'incendie, de choc électrique ou de blessures corporelles, l'installateur doit s'assurer que le lave-vaisselle est complètement encastré au moment de l'installation.

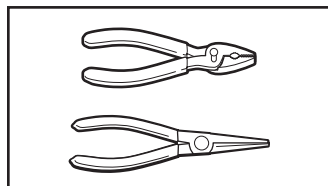
EXIGENCES D'INSTALLATION

OUTILS ET PIÈCES

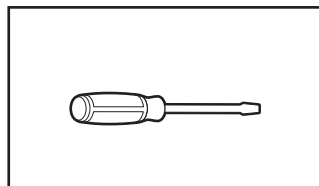
Rassembler les outils et composants nécessaires avant d'entreprendre l'installation. Lire et observer les instructions fournies avec les outils de la liste ci-dessous.

Toutes les installations

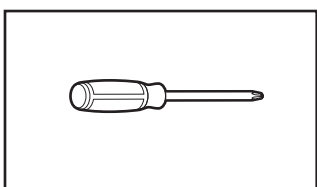
Outils nécessaires :



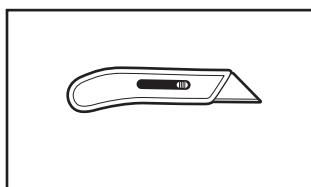
Pince



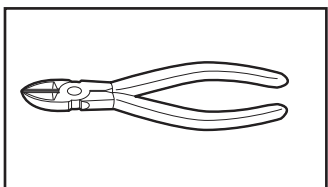
Tournevis à lame plate



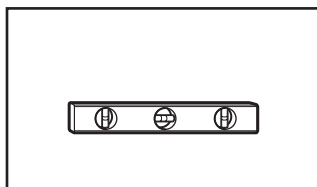
Tournevis à tête cruciforme



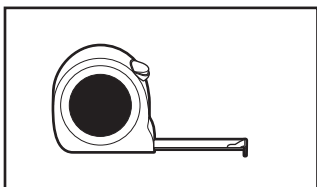
Couteau utilitaire



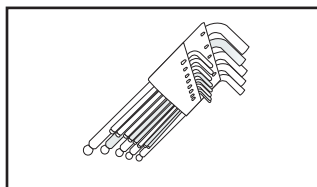
Pince



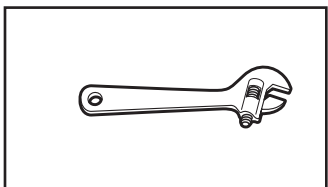
Petit niveau



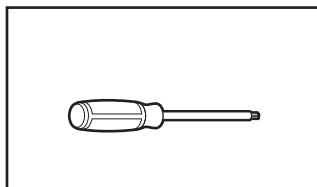
Mètre-ruban ou règle



Clé hexagonale

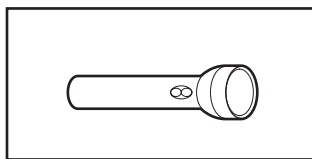


Clé à molette de 10 po avec ouverture jusqu'à 1 1/8 po (29 mm)

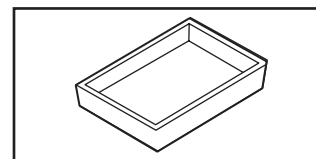


Tournevis Torx† T20

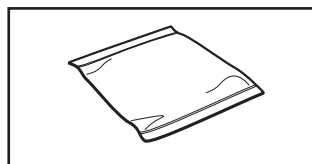
Autres articles utiles pouvant être nécessaires :



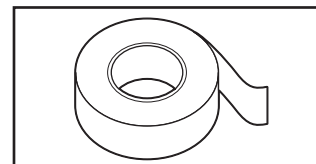
Lampe de poche



Plat peu profond



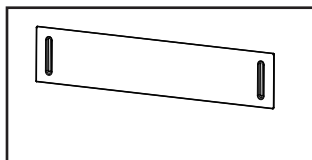
Serviette de bain



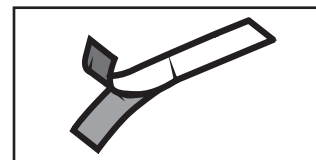
Ruban masque, isolant ou adhésif

Pièces fournies :

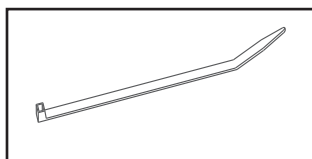
Comprises avec le lave-vaisselle. Vérifier le contenu lors du déballage du lave-vaisselle.



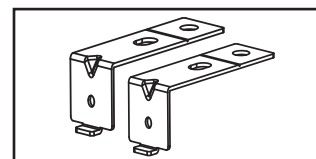
Panneau d'accès plat



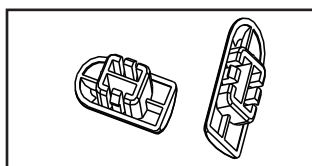
Ruban de barrière anti-humidité



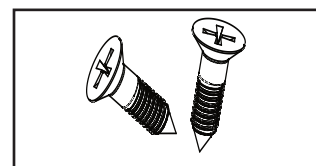
Attache mono-usage (pour tuyau de vidange)



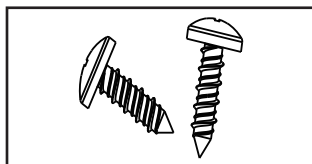
Supports de fixation (au-dessous du comptoir) (2)



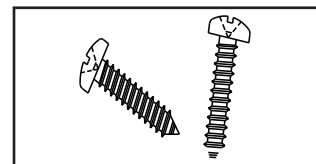
Capuchon réglable (2)



ST4 x 14 (2) (pour support d'installation)



ST3.9 x 9 (2) (pour support d'installation)

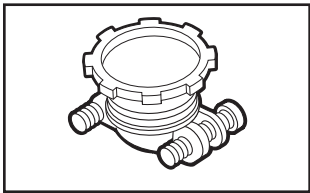


ST3.9 x 13 (2) (pour garde-pieds)

S'assurer que toutes les pièces sont comprises avec le sachet de documentation. Si les pièces ne sont pas incluses, nous contacter au numéro sans frais ou visiter notre site Web (voir le Guide d'utilisation).

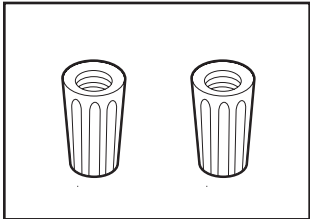
†TORX et T20 sont des marques de Acument Intellectual Properties, LLC.

Autres pièces nécessaires (non fournies) :



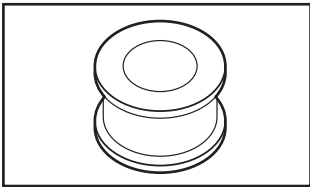
Serre-câble métallique pour câblage du domicile
qui convient à l'orifice de 7/8 po (22 mm) (nécessaire pour raccorder correctement le câble du domicile au boîtier de connexion du lave-vaisselle) (n° de pièce Whirlpool 4396672)

REMARQUE : Utiliser uniquement des pièces homologuées UL ou CSA.

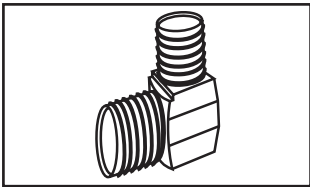


Capuchons de connexion
REMARQUE :

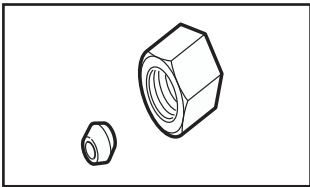
- Confirmer une taille correcte pour connecter le calibre du câblage du domicile au câblage de calibre 16 du lave-vaisselle
- Utiliser uniquement des pièces homologuées UL ou CSA



Ruban TEFLON®† ou composé de calfeutrage



Coude à 90°



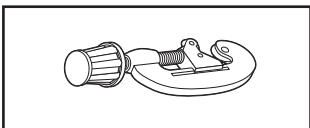
Adaptateurs à tube (pour tube en cuivre)

Nous contacter au numéro sans frais ou visiter notre page Web (voir le Guide d'utilisation) pour obtenir les numéros des pièces ci-dessus ou visiter un détaillant de fournitures électriques et de plomberie pour une équivalence.

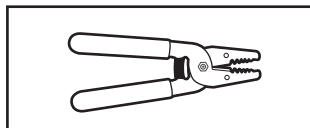
Première installation

Consulter les codes locaux. Vérifier l'alimentation électrique existante. Voir la section "Spécifications électriques". Il est recommandé de faire réaliser tous les raccordements électriques par un électricien qualifié agréé.

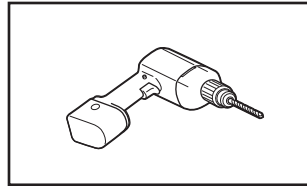
Outillage supplémentaire nécessaire :



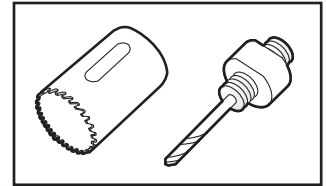
Petit coupe-tube



Pince à dénuder

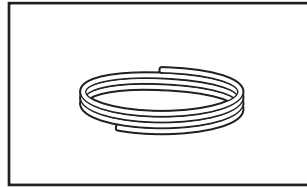


Perceuse sans fil

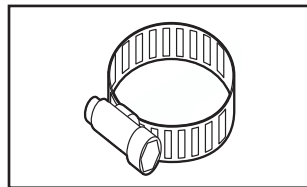


Scies-cloches de 1/2 po (12,7 mm), 3/4 po (19 mm) et 1 1/2 po (38 mm)

Pièces supplémentaires nécessaires (non fournies) :



Tube en cuivre (diamètre externe suggéré de 3/8 po) ou ensemble de canalisation d'arrivée d'eau flexible à tresse d'acier (numéro de pièce Whirlpool W10278635RP). L'ensemble inclut un tuyau tressé et une bague de compression de 3/8 po x un adaptateur à tuyau de 3/4 po.

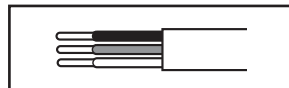


Brides pour tuyau de 1 1/2 po-2 po (38-50 mm) (3 maximum)

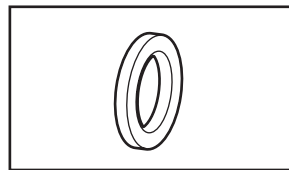
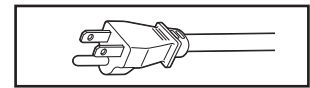
Nous contacter au numéro sans frais ou visiter notre page Web (voir le Guide d'utilisation) pour obtenir les numéros des pièces ci-dessus ou visiter un détaillant de fournitures électriques et de plomberie pour une équivalence.

REMARQUE : Si l'on utilise un tuyau flexible tressé, remplacer le tuyau d'alimentation après 5 ans d'utilisation pour réduire le risque de défaillance du tuyau. Inscrire la date d'installation ou de remplacement du tuyau sur celui-ci, pour référence ultérieure.

Pour les installations à raccordement direct



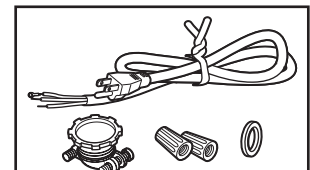
Pour un cordon d'alimentation



Passe-câble d'armoire

Pour trou de 1 1/2 po (38 mm) dans l'armoire. (N° de pièce Whirlpool 302797)

REMARQUE : Requis pour les armoires en métal.



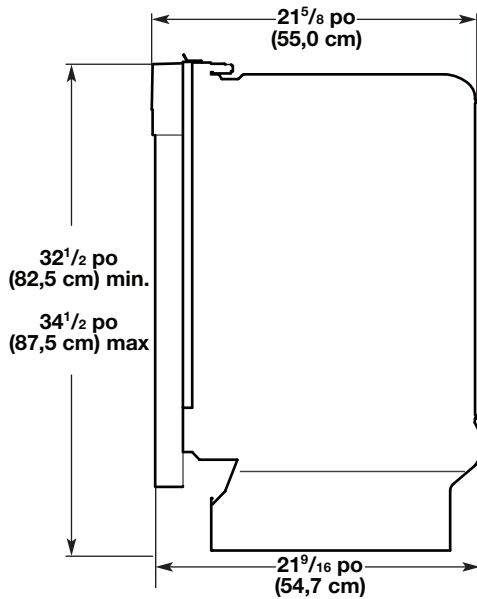
Ensemble pour cordon d'alimentation

L'ensemble comprend habituellement un cordon d'alimentation, un serre-câble métallique, un œillet et des capuchons de connexion. (No de pièce Whirlpool 4317824)

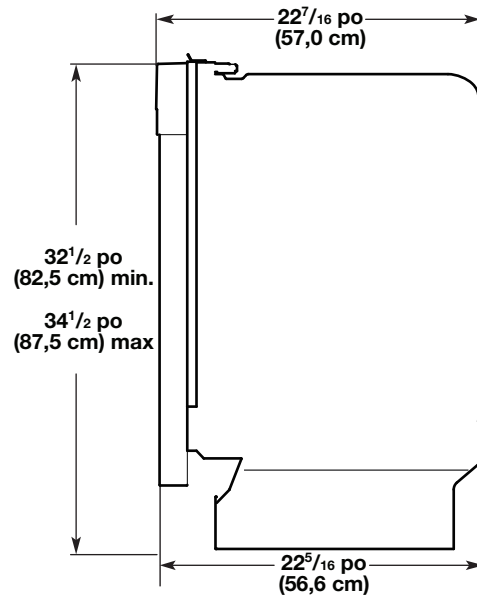
Nous contacter au numéro sans frais ou visiter notre page Web (voir le Guide d'utilisation) pour obtenir les numéros des pièces ci-dessus ou visiter un détaillant de fournitures électriques pour une équivalence.

†®TEFLON est une marque déposée de Chemours.

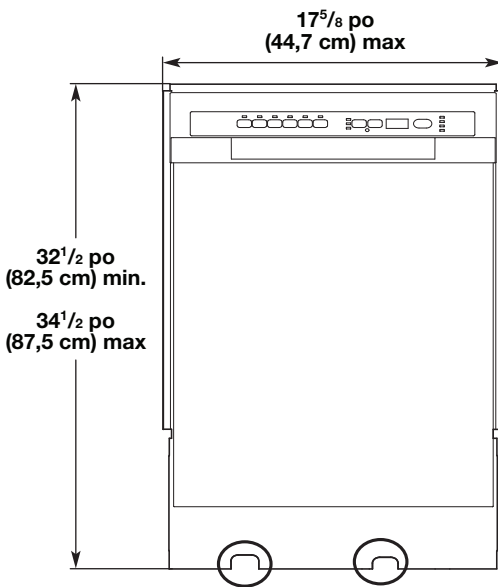
DIMENSIONS DU PRODUIT ET DE L'EMPLACEMENT D'INSTALLATION DE 18 po :



Vue latérale du panneau en bois personnalisé de 18 po

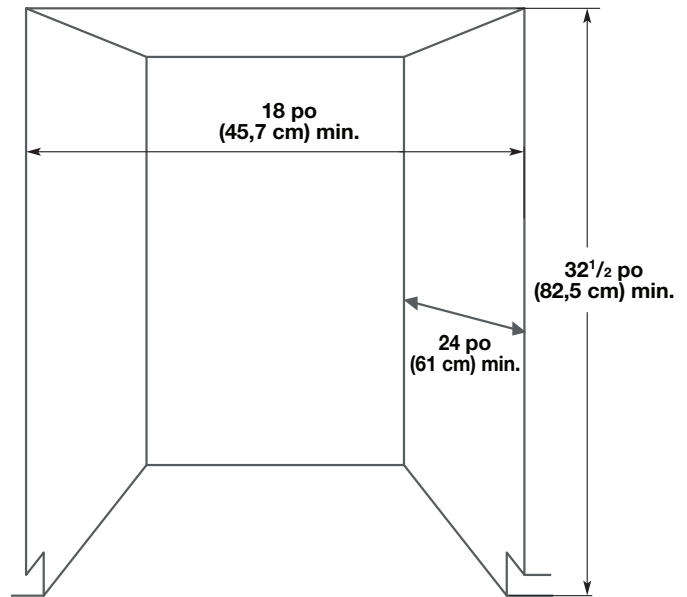


Vue latérale du panneau de porte en métal de 18 po



Vue de face

REMARQUE : Faire passer la canalisation d'arrivée d'eau et le câble électrique à travers les canaux fournis sous le lave-vaisselle (encerclés ci-dessus).



Dimensions de l'ouverture à découper

Partie inférieure du comptoir jusqu'au plancher

L'enceinte doit être d'au moins 18 po (45,7 cm) de largeur, 24 po (61 cm) de profondeur et 32 1/2 po (82,5 cm) de hauteur.

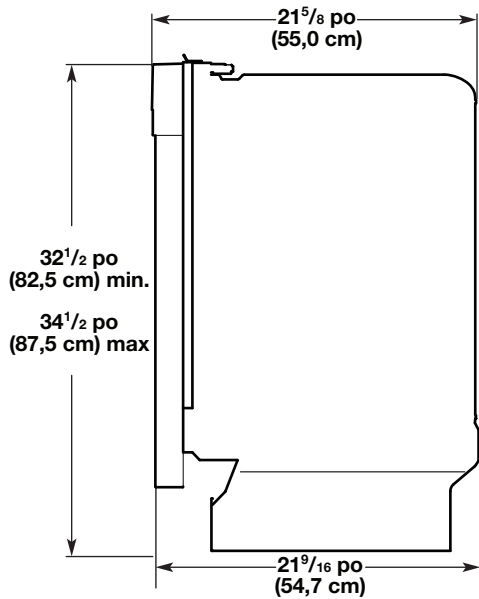
Pour que la porte avant du lave-vaisselle soit alignée avec le bord avant du comptoir, le comptoir doit être d'au moins 24 po (61 cm) de profondeur.

Ce lave-vaisselle est conçu pour être enfermé sur le dessus et sur les deux côtés par une armoire de cuisine résidentielle standard.

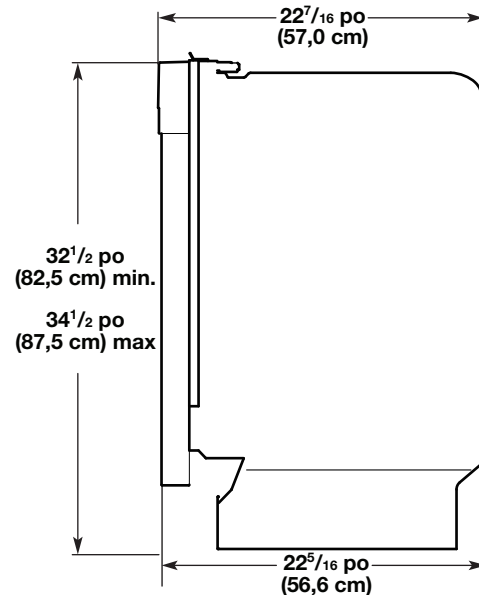
L'enceinte pour l'installation doit être propre et exempte d'obstruction.

REMARQUE : Installation ADA – une hauteur de 32 1/2 po (82,5 cm) est réalisable sous des comptoirs élevés de 34 po (86,4 cm) en réglant le support et les pieds de nivellement.

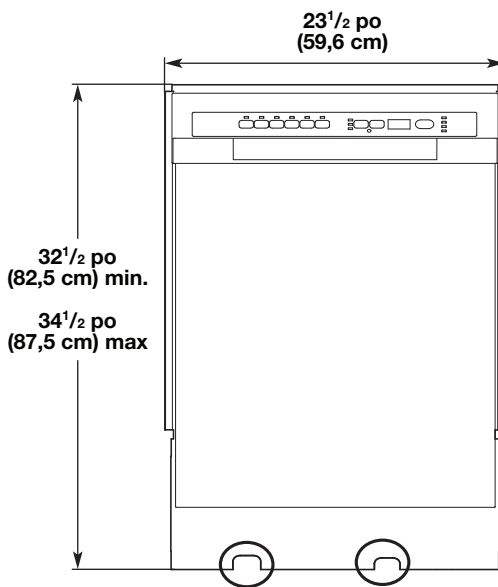
DIMENSIONS DU PRODUIT ET DE L'EMPLACEMENT D'INSTALLATION DE 24 po :



Vue latérale du panneau en bois personnalisé de 24 po

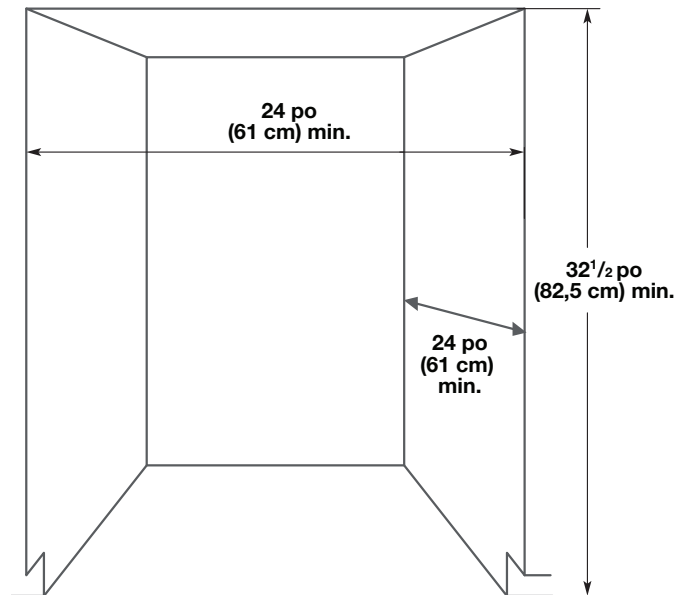


Vue latérale du panneau de porte en métal de 24 po



Vue de face

REMARQUE : Faire passer la canalisation d'arrivée d'eau et le câble électrique à travers les canaux fournis sous le lave-vaisselle (encerclés ci-dessus).



Dimensions de l'ouverture à découper

Partie inférieure du comptoir jusqu'au plancher

L'enceinte doit être d'au moins 24 po (61 cm) de largeur, 24 po (61 cm) de profondeur et 32 1/2 po (82,5 cm) de hauteur.

Pour que la porte avant du lave-vaisselle soit alignée avec le bord avant du comptoir, le comptoir doit être d'au moins 24 po (61 cm) de profondeur.

Ce lave-vaisselle est conçu pour être enfermé sur le dessus et sur les deux côtés par une armoire de cuisine résidentielle standard.

L'enceinte pour l'installation doit être propre et exempte d'obstruction.

REMARQUE : Installation ADA – une hauteur de 32 1/2 po (82,5 cm) est réalisable sous des comptoirs élevés de 34 po (86,4 cm) en réglant le support et les pieds de nivellement.

EXIGENCES D'EMPLACEMENT

Ne pas placer de canalisation d'évacuation, canalisation d'eau ou câblage électrique à un endroit où cela susciterait interférence ou contact avec les pieds ou les moteurs du lave-vaisselle.

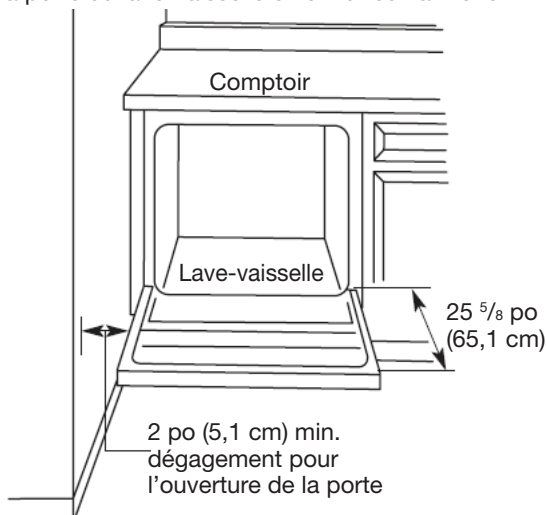
Un espace entre les moteurs et le plancher doit être assuré à l'emplacement d'installation du lave-vaisselle. Les moteurs ne doivent pas toucher le plancher.

Ne pas installer le lave-vaisselle par-dessus un tapis.

Protéger du gel le lave-vaisselle et les canalisations d'eau qui l'alimentent. La garantie de l'appareil ne couvre pas les dommages imputables au gel.

Vérifier l'emplacement d'installation du lave-vaisselle. Il doit comporter les caractéristiques suivantes :

- Facilité d'accès aux canalisations d'eau et d'évacuation et à la source d'électricité.
- Accès facile pour chargement et déchargement de la vaisselle. Dans le cas de l'installation dans un angle, on doit pouvoir établir un dégagement de 2 po (5 cm) ou plus entre le côté de la porte du lave-vaisselle et le mur ou l'armoire.



- Enceinte complète des deux côtés, du dos et du haut.
- Ouverture carrée offrant l'esthétique appropriée et permettant un fonctionnement correct.
- Façade des armoires perpendiculaire au plancher.
- Plancher de niveau. (S'il y a un écart de niveau sur le plancher entre l'avant et l'arrière de l'emplacement d'installation, il pourrait être nécessaire d'utiliser des cales pour établir l'aplomb de l'appareil).

REMARQUE : Pour éviter tout déplacement des cales durant le fonctionnement de l'appareil, il est nécessaire de fixer les cales au plancher.

Si le lave-vaisselle ne doit pas être utilisé pendant une période prolongée ou s'il est laissé à un endroit qui pourrait être exposé au gel, veiller à faire exécuter les opérations de pré-hivernage par un technicien compétent.

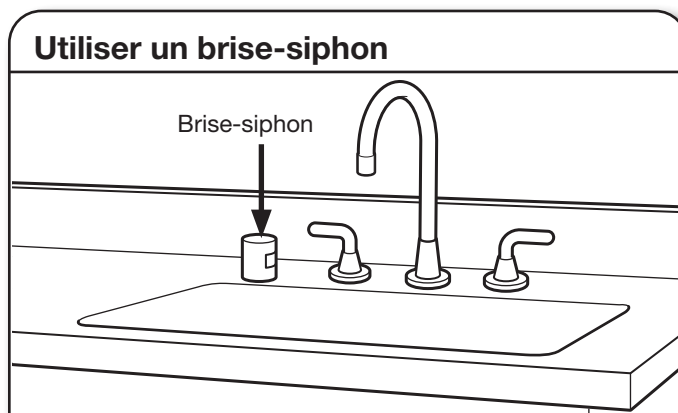
Veiller à ce que les canalisations d'eau, canalisations d'évacuation et câbles électriques se trouvent dans la zone illustrée à la section "Dimensions de l'ouverture d'encastrement".

Conseil utile : Si le plancher de l'ouverture d'encastrement pour le lave-vaisselle est inégal (exemple : garnissage de carrelage sur une partie seulement), on devra accorder une attention particulière aux détails lors du relevé des dimensions, pour pouvoir établir l'aplomb correct du lave-vaisselle.

EXIGENCES D'ÉVACUATION

- Utiliser le tuyau d'évacuation neuf fourni avec le lave-vaisselle. Si ce tuyau n'est pas suffisamment long, utiliser un tuyau d'évacuation neuf de longueur maximale de 9,8 pi (3 m) de l'évier qui satisfait les critères des normes de test AHAM/IAPMO en vigueur, est résistant à la chaleur et aux détergents.
- Connecter le tuyau d'évacuation au raccord d'évacuation en T ou à l'entrée du broyeur à déchets situé en amont du siphon du circuit de plomberie de la maison, et à au moins 20 po (50,8 cm) au-dessus du plancher. On recommande de lover le tuyau d'évacuation et de le fixer solidement sur la face inférieure du comptoir ou de le raccorder à un dispositif de brise-siphon.

- Utiliser un dispositif de brise-siphon si le tuyau d'évacuation est connecté à la canalisation d'égout de la maison à moins de 45,7 cm (18 po) au-dessus du plancher.



- Utiliser des raccords de canalisation d'évacuation de diamètre intérieur de 1/2 po (1,3 cm) minimum.

SPÉCIFICATIONS DE L'ALIMENTATION EN EAU

- Ce lave-vaisselle est doté d'une fonction de chauffage de l'eau et doit être raccordé à la canalisation d'alimentation en eau chaude.
- Canalisation d'eau chaude, sous pression de 20 à 120 lb/po² (138–862 kPa).
- Température de 120 °F (49 °C) à l'entrée du lave-vaisselle.
- Canalisation de cuivre de diamètre externe 3/8" (0,95 cm) avec raccord à compression, ou conduit de raccordement flexible à tresse d'acier inoxydable (l'emploi d'un tube de plastique de 1/2 po minimum est possible, mais déconseillé).
- Raccord de 90° avec filetage externe de 3/8 po (0,95 cm) NPT à une extrémité.

REMARQUE : Ne pas souder à moins de 6 po (15,2 cm) de la vanne de remplissage.

SPÉCIFICATIONS ÉLECTRIQUES

Communiquer avec un électricien qualifié.

Veiller à ce que l'installation électrique soit correctement effectuée et soit conforme aux prescriptions de tous les codes locaux et nationaux en vigueur.

Il vous faut :

- Une source d'alimentation de 120 V, 60 Hz, CA uniquement, de type 15 ou 20 A, protégée par fusible.
- Le câblage doit comprendre 2 conducteurs mis à la terre.

Nous recommandons :

- L'utilisation d'un fusible ou disjoncteur temporisé.
- Un circuit séparé.

Pour lave-vaisselle avec raccordement direct :

- Utiliser des conducteurs de cuivre gainés non métalliques ou blindés souples qui satisfassent aux exigences de l'installation électrique de votre domicile, et qui soient conformes aux prescriptions des codes et règlements locaux.

Pour le raccordement du lave-vaisselle avec un cordon d'alimentation électrique :

- Utiliser l'ensemble de cordon d'alimentation électrique (pièce no. 4317824) pour utilisation avec lave-vaisselle. L'ensemble contient :
 - Un cordon d'alimentation de calibre 16 à 3 fils, homologué UL, avec une fiche à 3 broches reliée à la terre.
 - Serre-câble Neer C-500 7/8" (2,2 cm).
 - Connexion à 3 conducteurs.
 - Œillet (pièce no 302797).

Suivre les instructions de l'ensemble pour l'installation du cordon d'alimentation électrique.

- Le cordon d'alimentation électrique doit être branché dans une prise de configuration correspondante à trois alvéoles reliée à la terre dans l'armoire, près de l'ouverture du lave-vaisselle. La prise doit être conforme à tous les codes et règlements locaux.

INSTRUCTIONS D'INSTALLATION

⚠ AVERTISSEMENT



Risque de choc électrique

Interrompre l'alimentation électrique avant d'installer le lave-vaisselle (au niveau du tableau de distribution - fusible ou disjoncteur)

Le non-respect de cette instruction peut causer un décès ou un choc électrique.

1. Déconnecter la source de courant électrique

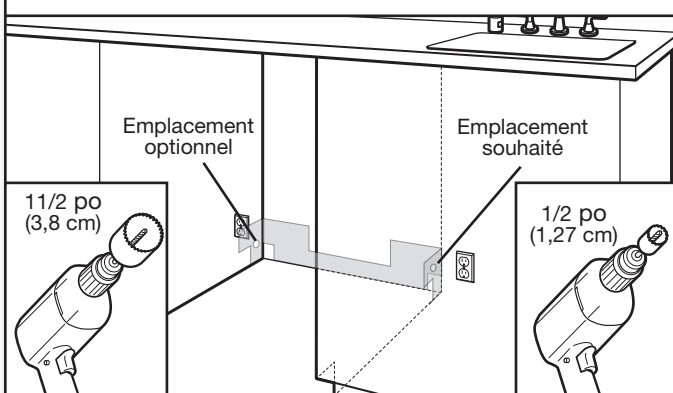
Interrompre l'alimentation électrique au niveau du tableau de distribution (fusible ou disjoncteur) avant d'installer le lave-vaisselle.

2. Couper l'arrivée d'eau

Fermer l'approvisionnement en eau du lave-vaisselle.

PRÉPARATION DE L'OUVERTURE D'ENCASTREMENT DE L'ARMOIRE – NOUVEAUX RACCORDEMENTS DE SERVICE

3. Emplacement des trous à percer – nouvelle construction



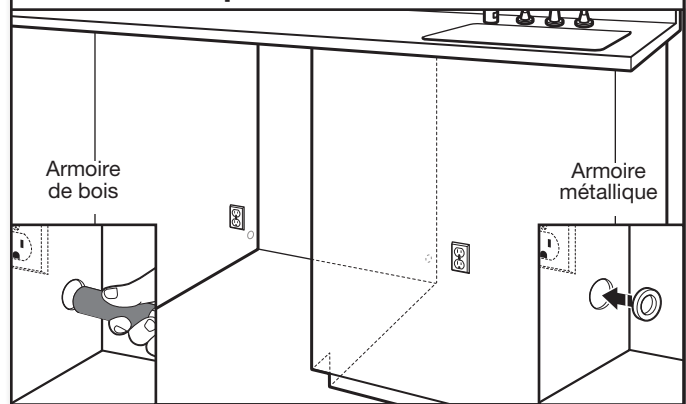
REMARQUE : Consulter la section "Dimensions du produit et de l'emplacement d'installation" pour connaître l'emplacement exact des trous et les dimensions des zones grises.

Percer un trou de 1/2 po (3,8 cm) pour le tuyau de vidange sur le côté ou l'arrière de l'armoire, en fonction de la position du tuyau de vidange et de de son emplacement de connexion.

Percer un trou de 1/2 po (1,27 cm) pour le tuyau d'arrivée d'eau sur le côté ou l'arrière de l'armoire, en fonction de la position du tuyau d'arrivée d'eau et de son emplacement de connexion

Percer un trou de 1 1/2 po (3,8 cm) pour le câblage électrique sur le côté droit ou à l'arrière de l'armoire.

4. Poncer pour obtenir des tours lisses



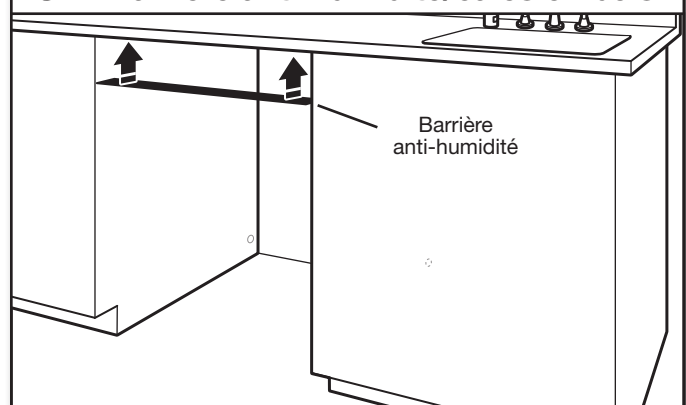
Armoire de bois : Poncer le trou jusqu'à obtenir une surface lisse.

Armoire métallique : Couvrir le contour du trou avec l'œillet fourni avec l'ensemble du cordon d'alimentation. Voir la section "Outils et pièces" pour les détails sur les pièces.

Conseil utile : Le raccordement au lave-vaisselle sera plus facile si on achemine le câble par le côté droit de l'ouverture d'encastrement de l'armoire.

BARRIÈRE ANTI-HUMIDITÉ – RECOMMANDÉE POUR LES COMPTOIRS EN BOIS

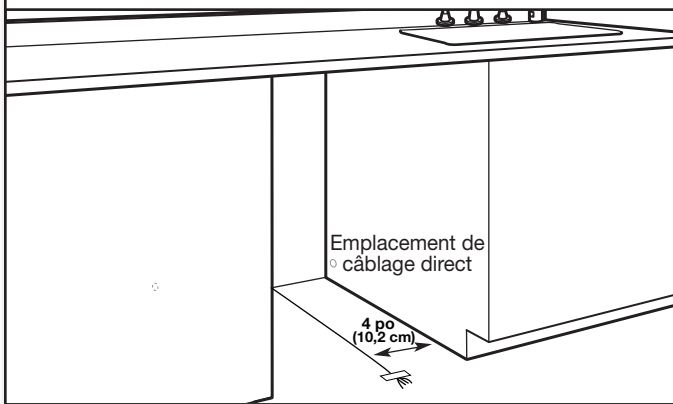
5. Barrière anti-humidité/cales en bois



Veiller à ce que la zone se trouvant sous l'armoire soit propre et sèche avant d'installer la barrière anti-humidité. Ôter la protection de la barrière anti-humidité et appliquer la barrière sur le dessous du comptoir, le long de la rive avant du comptoir.

ROUTAGE DIRECT DU CÂBLAGE

6. Raccordement direct – position du câble



En cas de routage direct, faire passer le câble de 4 po (10,2 cm) du côté droit de l'armoire pour l'aligner avec le canal au bas du lave-vaisselle.

Fixer le câble au plancher avec du ruban adhésif dans la zone indiquée. Cela aidera à fixer le câble en place lorsque le lave-vaisselle est déplacé dans l'ouverture d'encastrement pendant le raccordement direct du câble.

PRÉPARATION DU LAVE-VAISSELLE

⚠ AVERTISSEMENT



Risque de basculement

Ne pas utiliser le lave-vaisselle jusqu'à ce qu'il soit complètement installé.

Ne pas appuyer sur la porte ouverte.

Le non-respect de ces instructions peut causer des blessures graves ou des coupures.

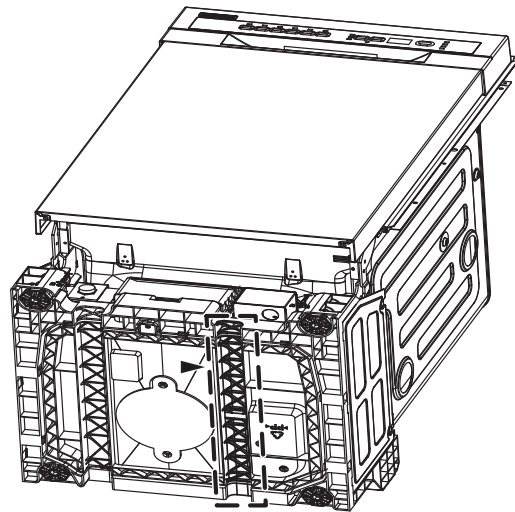
⚠ AVERTISSEMENT

Risque du poids excessif

Utiliser deux personnes ou plus pour déplacer et installer le lave-vaisselle.

Le non-respect de cette instruction peut causer une blessure au dos ou d'autre blessure.

7. Placer le lave-vaisselle sur son dos



Bas du lave-vaisselle

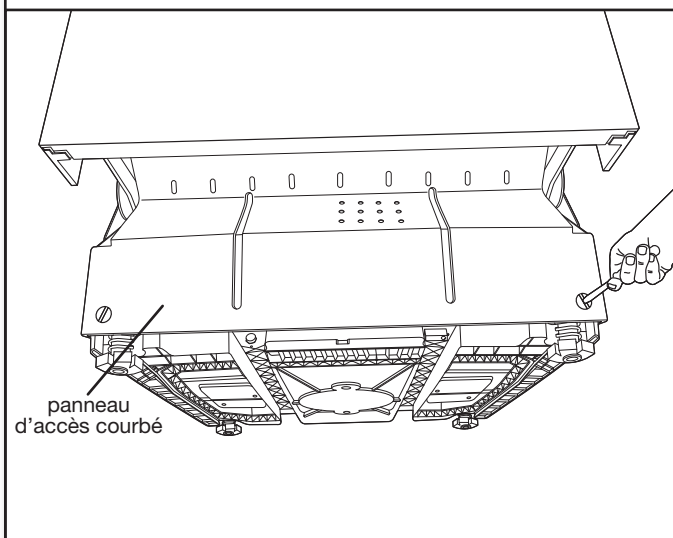
Conseil utile : Placer une feuille de carton sous le lave-vaisselle jusqu'à son installation dans l'ouverture d'encastrement de l'armoire pour éviter d'endommager le revêtement de sol.

À l'aide d'au moins deux personnes, saisir les côtés de l'encadrement de la porte du lave-vaisselle et placer le lave-vaisselle sur le dos.

Afin d'éviter d'érafler le panneau de porte, ne pas se servir du panneau de porte comme planche de travail sans l'avoir recouvert d'une serviette au préalable.

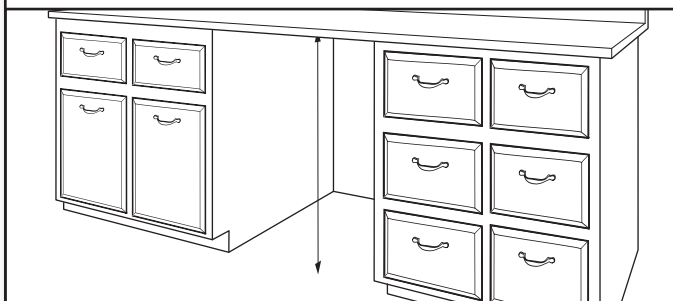
RETIRER LE PANNEAU D'ACCÈS COURBÉ

8. Retirer le panneau d'accès courbé



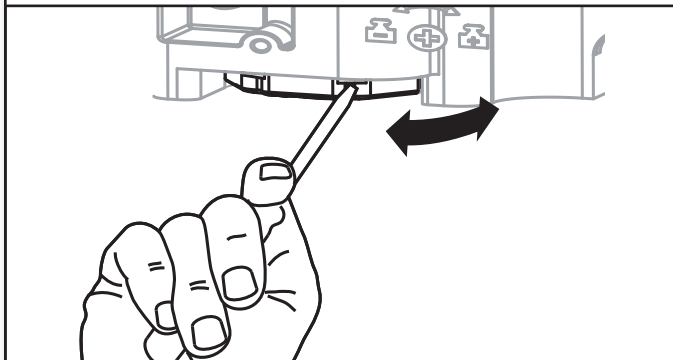
À l'aide d'un tournevis cruciforme, retirer les deux vis qui fixent le panneau d'accès courbé au lave-vaisselle.

9. Mesure de l'ouverture d'encastrement



Mesurer la hauteur libre de l'espace d'installation, sous le comptoir où le lave-vaisselle sera installé. Vous assurer de mesurer le point le plus bas sous le comptoir et le point le plus sur le sol.

10. Réglage des pieds de nivellement

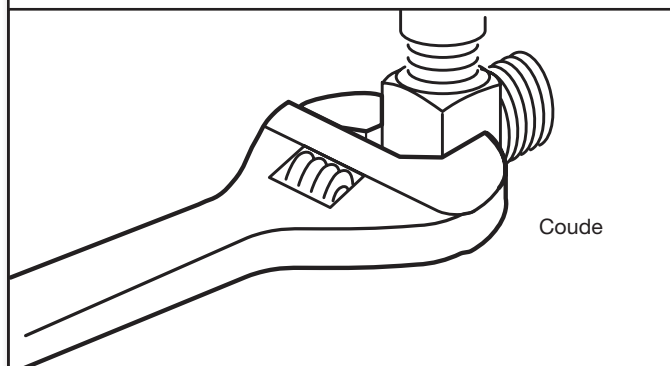


Sortir les pieds de nivellement de la base du lave-vaisselle de 1/4 po (6.3 mm) de moins que la hauteur la plus réduite de l'ouverture mesurée dans l'ouverture de l'armoire.

Tourner le pied dans le sens horaire pour élever le lave-vaisselle ou dans le sens antihoraire pour abaisser le lave-vaisselle

BRANCHEMENT DU COUDE À LA VANNE

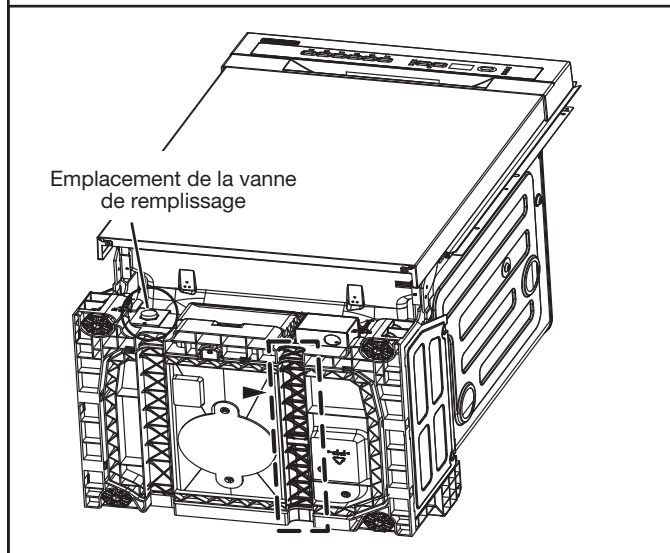
11. Raccordement du coude à la vanne de remplissage



Appliquer du ruban pour joints filetés au raccord coude à 90° et connecter le raccord à la vanne de remplissage.

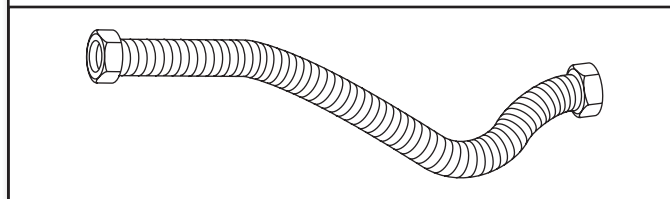
Serrez le coude jusqu'à ce qu'il soit bien ajusté et assurez-vous qu'il est orienté vers le canal situé au bas de la base.

12. Emplacement de la vanne de remplissage



BRANCHEMENT DU TUYAU DE DISTRIBUTION AU COUDE

13. Tuyau flexible



Tuyau flexible à tresse d'acier : Vérifier que le tuyau flexible à tresse d'acier est suffisamment long.

Fixer le tuyau flexible au coude, puis faire passer le tuyau dans le canal inférieur gauche sous le lave-vaisselle. Le fixer dans le canal avec du ruban ou des attaches mono-usage.

BRANCHEMENT DU CÂBLE ÉLECTRIQUE

⚠ AVERTISSEMENT



Risque de choc électrique

Relier le lave-vaisselle à la terre d'une méthode électrique.

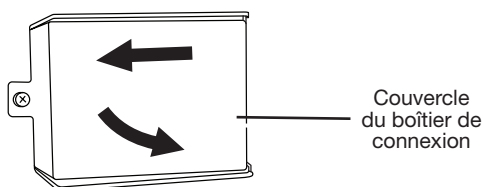
Brancher le fil relié à la terre au connecteur vert relié à la terre dans la boîte de la borne.

Ne pas utiliser un câble de rallonge.

Le non-respect de ces instructions peut causer un décès, un incendie ou un choc électrique.

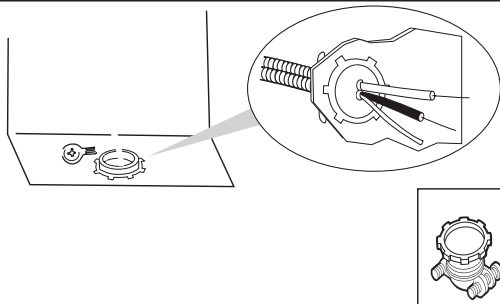
REMARQUE : Si un vieux lave-vaisselle avec cordon d'alimentation est enlevé, il faudra transférer ce cordon d'alimentation au nouveau lave-vaisselle.

14. Ôter le couvercle de la boîte de connexion.



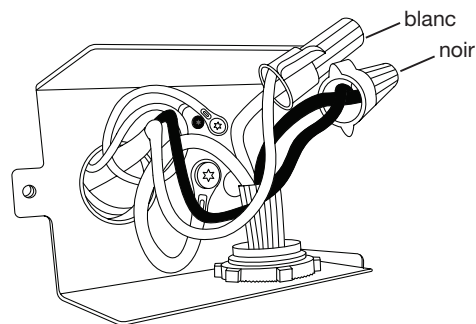
Ôter la vis de retenue du couvercle du boîtier de connexion. Retirer le couvercle en le faisant coulisser vers le haut et en dégageant les crochets hors de l'encoche. Conserver le couvercle pour utilisation ultérieure.

15. Installation du serre-câble



Installer un serre-câble métallique (homologation UL/CSA). S'assurer que les têtes de vis soient orientées vers le haut lors du serrage de l'écrou à conduit. Un serre-câble est fourni dans l'ensemble du cordon d'alimentation. Voir la section "Outils et pièces" pour les détails sur les pièces et les renseignements sur la commande.

16. Cordon d'alimentation – acheminement du cordon dans la boîte de connexion



Sélectionner des capuchons de connexion (homologation UL ou CSA) de la taille correcte. Voir la section "Outils et pièces" pour les détails sur les pièces. Connecter le conducteur noir avec le noir et le conducteur blanc avec le blanc à l'aide des capuchons de connexion.

REMARQUE : Ne pas prétorsader les brins de conducteurs. Installer le capuchon de connexion en le faisant pivoter. Tirer doucement sur les conducteurs pour vérifier qu'ils sont bien fixés.

Faire passer le cordon d'alimentation de façon à ce qu'il ne touche ni le moteur du lave-vaisselle ni la partie inférieure de la cuve du lave-vaisselle. Tirer le câble pour le faire passer à travers le serre-câble dans le boîtier de connexion

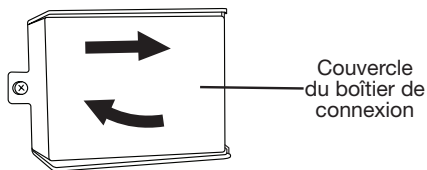
REMARQUE : Un maximum de deux câbles d'alimentation (calibre 12 AWG maximum) plus un conducteur de mise à la terre est autorisé dans le boîtier de connexion.

Retirer la vis de liaison à la terre du plancher surélevé à l'intérieur du boîtier et la placer à travers la borne en anneau de la vis verte de mise à la terre du cordon d'alimentation. Réattacher et serrer la vis de liaison à la terre sur le plancher surélevé du boîtier. Resserrer les vis du serre-câble pour fixer le cordon.

Configuration de câblage

Câblage de l'alimentation électrique		Câblage du boîtier de connexion :
blanc	↔	blanc
noir	↔	noir
conducteur de liaison à la terre	↔	conducteur de liaison à la terre

17. Cordon d'alimentation – réinstallation du couvercle de la boîte de connexion et des conducteurs

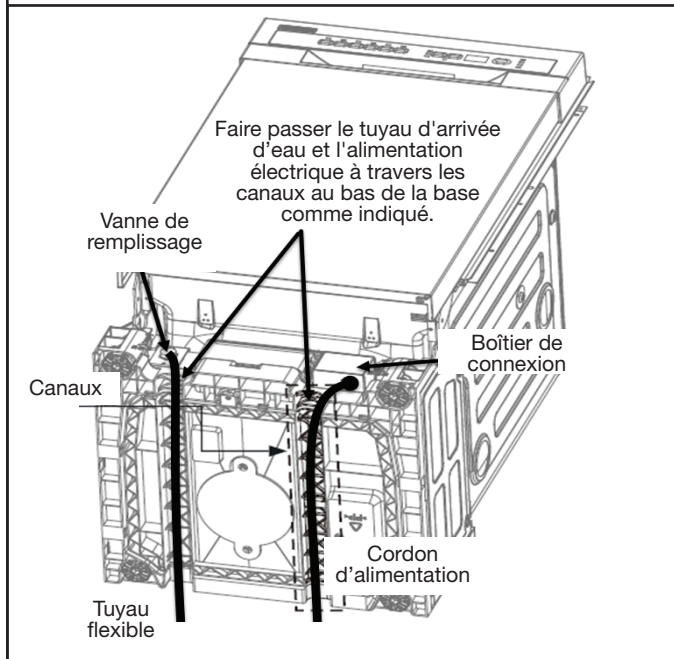


Placer les conducteurs à l'intérieur du boîtier de connexion. Remettre le couvercle en place en insérant les crochets du couvercle du boîtier de connexion dans les encoches du fond du boîtier de connexion, et en enfilant le couvercle bien serré contre le mur arrière où passent les câbles. S'assurer que les câbles sont bien logés à l'intérieur du boîtier et ne sont pas coincés sous le couvercle.

REMARQUE : Faire passer le cordon d'alimentation du canal arrière inférieur fourni. Ne pas brancher le cordon dans une prise avant d'en avoir reçu l'instruction.

EMPLACEMENT DU CANAL DE ROUTAGE DE SERVICE

18. Emplacements de routage de canaux du tuyau d'arrivée d'eau et du cordon d'alimentation



Faire passer l'alimentation en eau et l'alimentation électrique à l'arrière de l'appareil à travers les canaux de base inférieurs prévus à cet effet. Fixer l'alimentation de service dans le canal avec du ruban ou des attaches mono-usage.

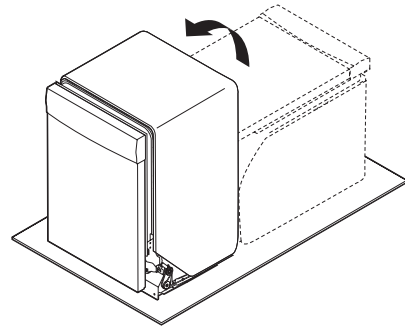
⚠ AVERTISSEMENT

Risque du poids excessif

Utiliser deux personnes ou plus pour déplacer et installer le lave-vaisselle.

Le non-respect de cette instruction peut causer une blessure au dos ou d'autre blessure.

19. Redresser le lave-vaisselle



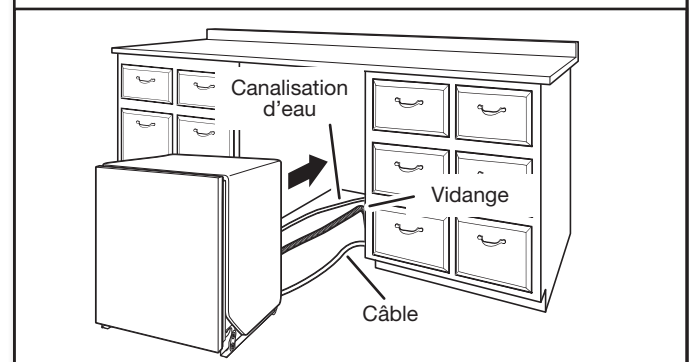
À l'aide d'au moins deux personnes, mettre le lave-vaisselle en position verticale.

REMARQUE : Ne pas installer le garde-pieds avant d'en avoir reçu l'instruction.

Le lave-vaisselle peut s'adapter parfaitement dans l'ouverture d'encastement. Ne pas enlever le garnissage d'insonorisation/isolation – il réduit le niveau sonore.

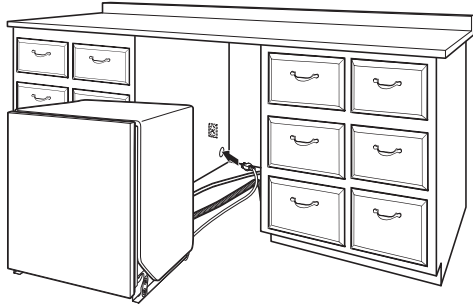
REMARQUE : Passer l'arrivée d'eau, le tuyau de vidange et le cordon d'alimentation par l'arrière du lave-vaisselle.

20. Déplacer le lave-vaisselle près de l'ouverture d'encastement.



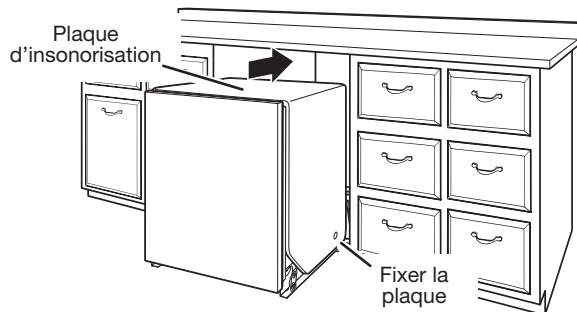
Passer les raccordements par les trous du cabinet et tirer l'excédent en même temps que le lave-vaisselle est positionné dans son espace.

21. Faire passer le cordon d'alimentation



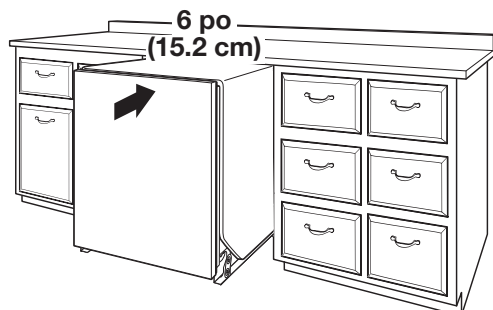
En cas d'utilisation d'un cordon d'alimentation, veiller à faire passer l'extrémité de celui-ci dans le trou de l'ouverture découpée avant de pousser le lave-vaisselle à sa place.

22. Fixer la plaque d'insonorisation



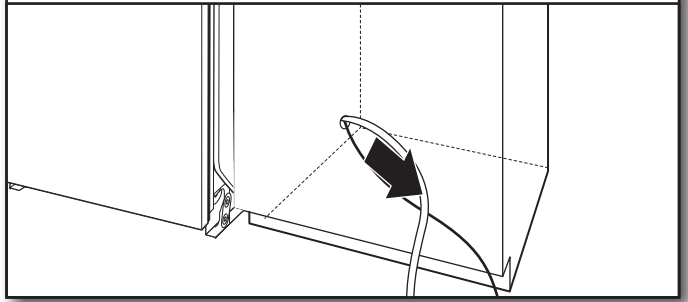
REMARQUE : S'assurer que l'insonorisation est bien fixée aux coins arrière gauche et droit avant de pousser le lave-vaisselle en place pour qu'elle ne s'entasse pas lorsque l'espace est restreint.

23. Insérer le lave-vaisselle en laissant 6" (15,2 cm) dépasser de l'avant des armoires



REMARQUE : Laisser sortir environ 6 po (15,2 cm) de l'armoire pour permettre l'installation des supports d'ancrage et régler la tension de la porte au besoin.

24. Tirer l'excédent des raccordements

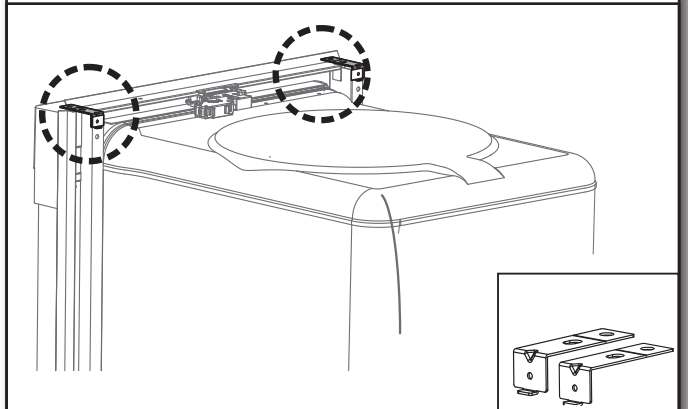


REMARQUE : Tirer l'excédent en même temps que le lave-vaisselle est poussé en place dans son ouverture pour éviter la formation de coudes.

CHOIX DE L'OPTION DE FIXATION

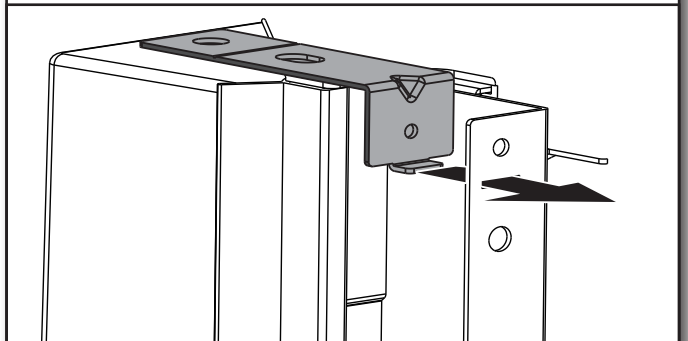
OPTION N° 1 INSTALLER DES SUPPORTS D'ANCRAGE POUR FIXATION SOUS COMPTOIR

25. Supports d'ancrage supérieurs



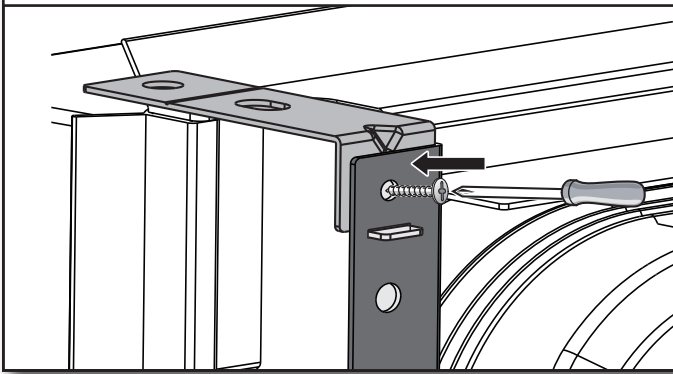
Le lave-vaisselle doit être fixé au comptoir par les deux supports situés au-dessus du lave-vaisselle.

26. Installer le support dans les fentes



Installer les deux supports supérieurs dans les fentes sur le collier de la cuve.

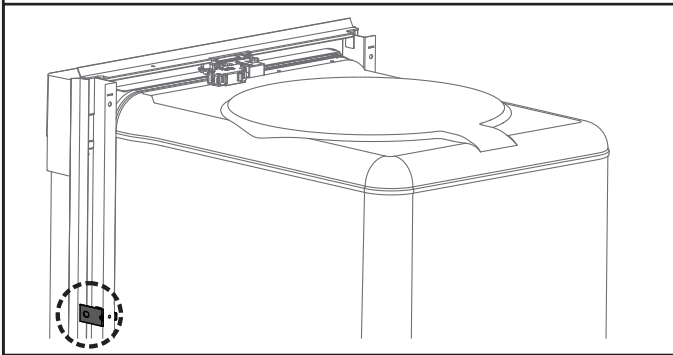
27. Fixer les vis du support



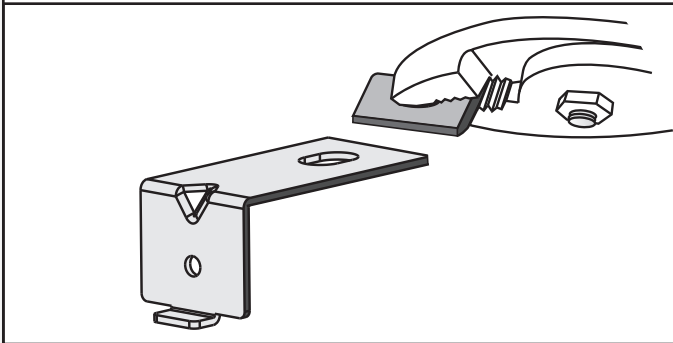
Fixer le support au collier de la cuve avec la vis fournie.

OPTION N° 2 INSTALLER LES SUPPORTS D'ANCRAGE POUR FIXATION LATÉRALE

28. Emplacement du support de fixation latérale

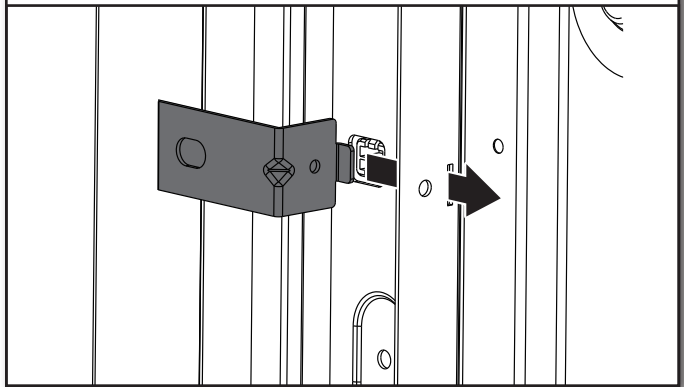


29. Briser la languette



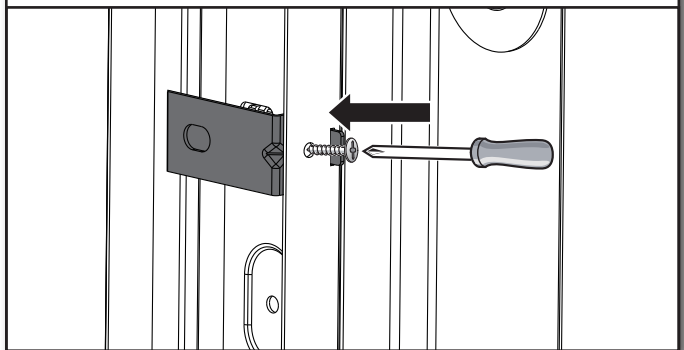
Briser la languette sur la ligne de coupe pour la fixation latérale.

30. Insérer le support dans la fente



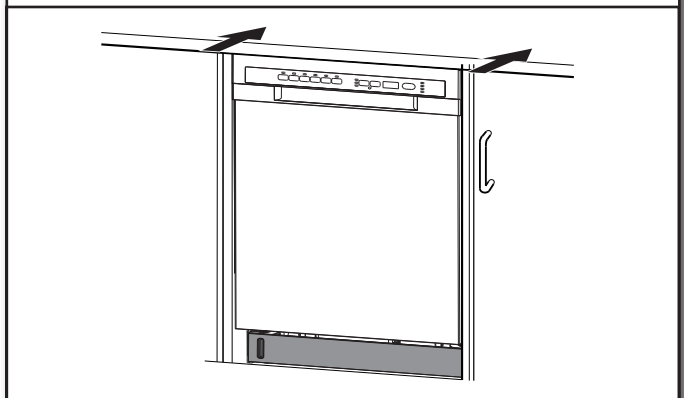
Insérer les supports dans la fente de chaque côté du collier de la cuve.

31. Fixer le support d'ancrage au moyen d'une vis



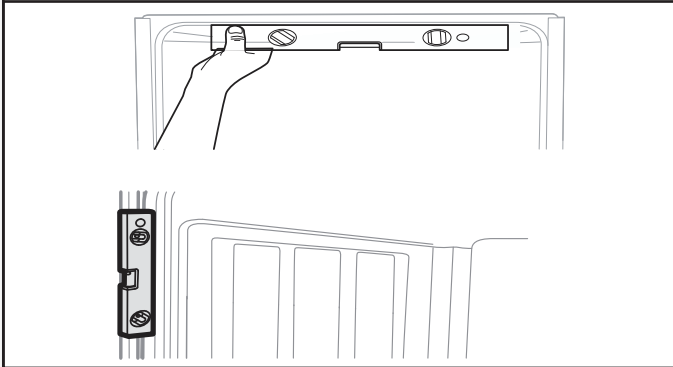
Fixer les supports dans la fente avec les vis fournies.

32. Glisser complètement dans l'ouverture d'encastement



Avec les supports d'ancrage supérieurs ou latéraux fixés, faire glisser l'appareil dans l'ouverture d'encastement jusqu'à l'alignement avec les armoires.

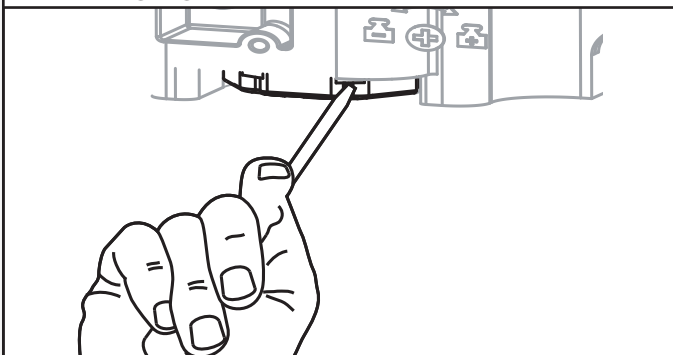
33. Vérifier l'aplomb d'avant en arrière et transversalement



À l'aide d'un niveau, régler les pieds au besoin.

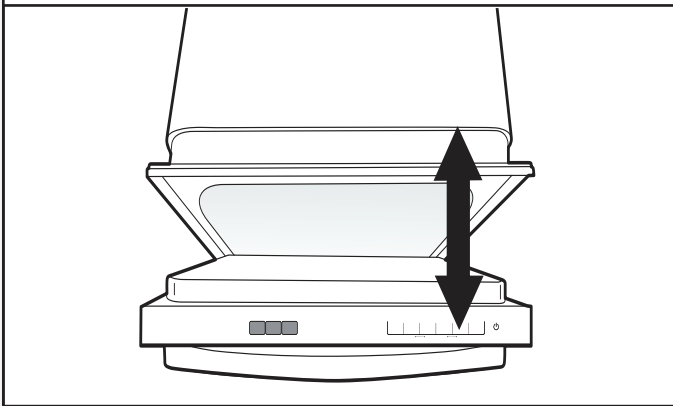
Utiliser un niveau pour vérifier si le lave-vaisselle est d'aplomb de l'avant à l'arrière. Si le lave-vaisselle n'est pas d'aplomb de l'avant à l'arrière, régler la hauteur des pieds arrière jusqu'à ce que le lave-vaisselle soit d'aplomb. Ouvrir la porte du lave-vaisselle et vérifier que les dégagements de la cuve et de la porte sont corrects. Si ce n'est pas le cas, tourner les pieds de nivellement avant du lave-vaisselle. L'on peut également vérifier cela en plaçant un niveau contre une surface verticale avant intérieure de la cuve.

34. Réglage des pieds de nivellement



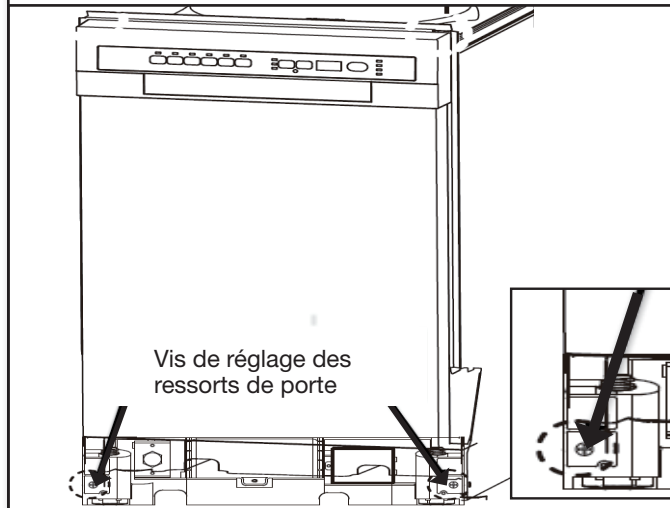
Tourner le pied dans le sens horaire pour élever le lave-vaisselle ou dans le sens antihoraire pour abaisser le lave-vaisselle

35. Ouvrir et fermer la porte



Ouvrir et fermer la porte pour vérifier la tension du ressort de la porte.

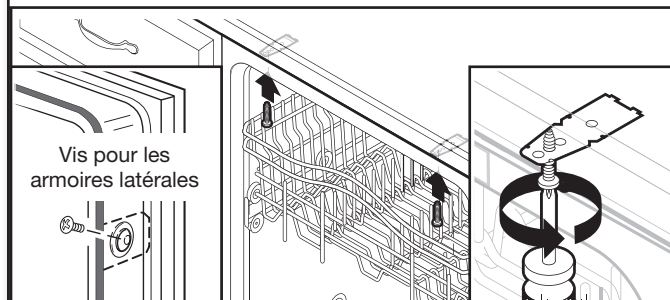
36. Ajuster la tension des ressorts de la porte



Si nécessaire, régler la tension du ressort à l'aide d'un tournevis à tête cruciforme. Tourner les vis dans le sens horaire pour augmenter la tension ou dans le sens antihoraire pour diminuer la tension de la porte.

Si le ressort est réglé à sa tension maximum et que la porte tombe toujours rapidement après son ouverture, il est recommandé d'installer les ressorts inclus dans le sac d'accessoires fourni avec ce produit. Après avoir remplacé les ressorts, reprendre les étapes 35 et 36.

37. Fixer le lave-vaisselle

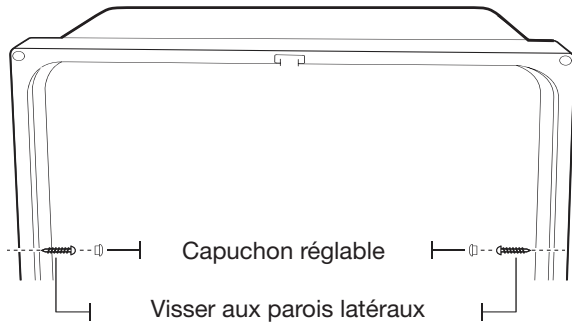


Ouvrir la porte du lave-vaisselle pour préparer la fixation de l'appareil au comptoir ou au côté de l'armoire.

REMARQUE :

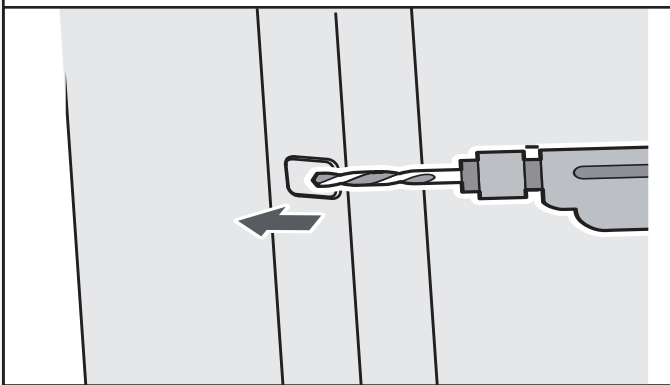
- Le lave-vaisselle doit être immobilisé pour l'empêcher de basculer lors de l'ouverture ou de la fermeture de la porte.
- Ne pas faire tomber de vis au fond du lave-vaisselle.
- Localiser les supports installés à la section "Choix de l'option de fixation", soit sur le dessus ou les côtés du lave-vaisselle.
- Pour une fixation à la surface de travail : Fixer le lave-vaisselle au comptoir au moyen de deux vis cruciformes (comprises).
- Pour une fixation sur les côtés : Percer des avant-trous dans l'armoire pour éviter toute fente dans le bois. Fixer le lave-vaisselle à l'armoire au moyen de deux vis cruciformes (comprises). Retirer le panier du haut pour faciliter l'accès. Consulter le guide d'utilisation pour savoir comment enlever le panier supérieur.

38. Méthode de fixation latérale



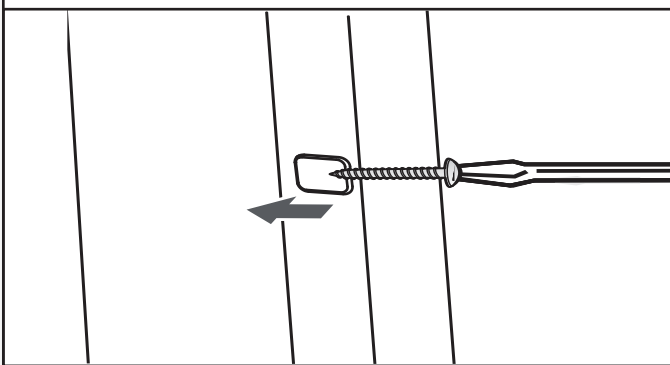
Retirer les cache-vis en plastique couvrant les trous de vis de chaque côté.

39. Percer des avant-trous



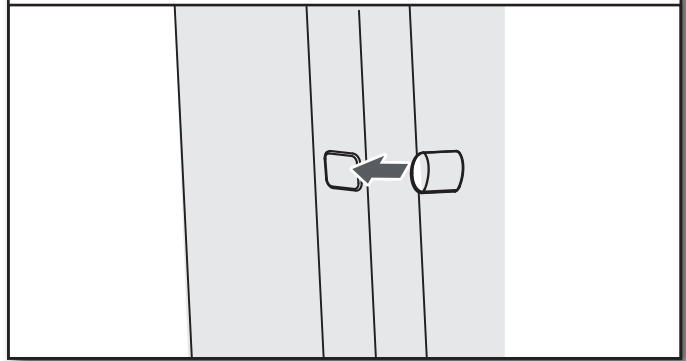
Pour une fixation sur les côtés : Percer des avant-trous dans l'armoire pour éviter toute fente dans le bois.

40. Installer les vis



Fixer le lave-vaisselle à l'armoire au moyen de deux vis cruciformes (comprises). Retirer le panier du haut pour faciliter l'accès. Consulter le guide d'utilisation pour savoir comment enlever le panier supérieur.

41. Réinstaller les cache-vis en plastique



Réinstaller les cache-vis en plastique pour couvrir les têtes de vis.

MÉTHODE DE RACCORDEMENT ÉLECTRIQUE DIRECT

⚠ AVERTISSEMENT



Risque de choc électrique

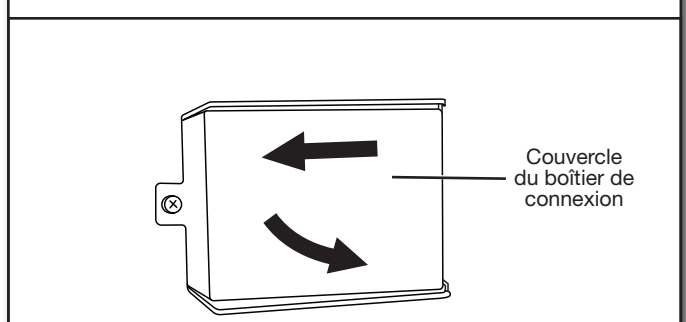
Relier le lave-vaisselle à la terre d'une méthode électrique.

Brancher le fil relié à la terre au connecteur vert relié à la terre dans la boîte de la borne.

Ne pas utiliser un câble de rallonge.

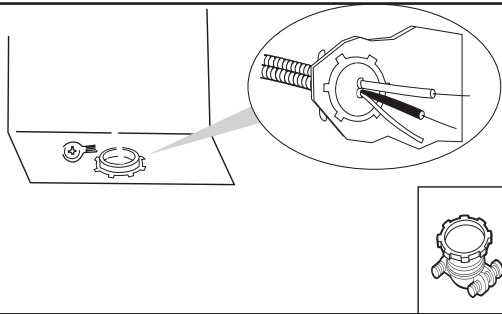
Le non-respect de ces instructions peut causer un décès, un incendie ou un choc électrique.

42. Ôter le couvercle de la boîte de connexion.



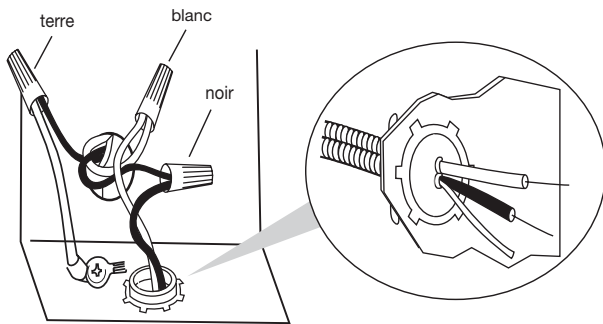
Ôter la vis de retenue du couvercle du boîtier de connexion. Retirer le couvercle en le faisant coulisser vers le haut et en dégageant ses crochets hors de l'encoche. Conserver le couvercle pour utilisation ultérieure.

43. Installation du serre-câble



Installer un serre-câble métallique (homologation UL/CSA). S'assurer que les têtes de vis soient orientées vers le haut lors du serrage de l'écrou à conduit. Un serre-câble est fourni dans l'ensemble du cordon d'alimentation. Voir la section "Outils et pièces" pour les détails sur les pièces et les renseignements sur la commande.

44. Raccordement direct – Acheminement du câble dans le boîtier de connexion



Sélectionner des capuchons de connexion (homologation UL ou CSA) de la taille correcte. Voir la section "Outils et pièces" sur la couverture du guide pour des détails sur les pièces. Connecter le conducteur noir avec le noir et le conducteur blanc avec le blanc à l'aide des capuchons de connexion.

REMARQUE : Ne pas prétorsader les brins de conducteurs. Installer le capuchon de connexion en le faisant pivoter. Tirer doucement sur les conducteurs pour vérifier qu'ils sont bien fixés.

Acheminer le cordon d'alimentation de façon à ce qu'il ne touche ni le moteur du lave-vaisselle, ni la partie inférieure de la cuve du lave-vaisselle. Tirer le câble pour le faire passer à travers le serre-câble (homologation UL/CSA) dans le boîtier de connexion.

REMARQUE : Un maximum de deux conducteurs d'alimentation (calibre 12 AWG maximum) plus un conducteur de mise à la terre est autorisé dans le boîtier de connexion.

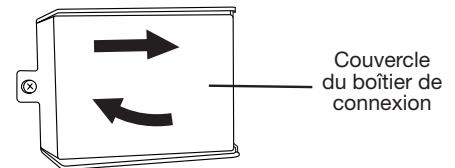
Former un crochet en U avec le conducteur nu de liaison à la terre. Enrouler le crochet du conducteur de liaison à la terre sur la vis de liaison à la terre sur le plancher surélevé à l'intérieur de la boîte et sous la rondelle (dans le sens horaire). Serrer fermement le connecteur de liaison à la terre.

Resserrer les vis de serre-câble pour fixer le cordon. S'assurer que les têtes de vis soient orientées vers le haut lors du serrage de l'écrou à conduit.

Configuration de câblage

Câblage de l'alimentation électrique	Câblage du boîtier de connexion :
blanc	blanc
noir	noir
conducteur de liaison à la terre	conducteur de liaison à la terre

45. Cordon d'alimentation – réinstallation du couvercle de la boîte de connexion et des conducteurs

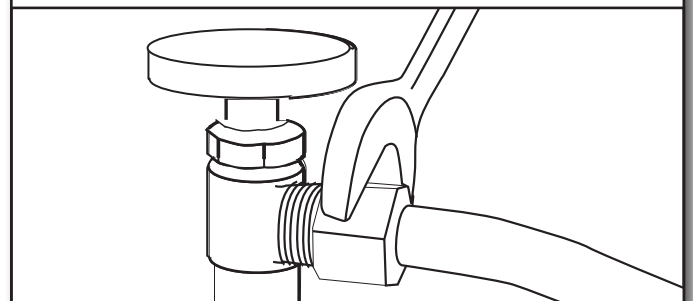


Placer les conducteurs à l'intérieur du boîtier de connexion. Remettre le couvercle en place en insérant les crochets du couvercle du boîtier de connexion dans les encoches du fond du boîtier de connexion, et en enfilant le couvercle bien serré contre le mur arrière où passent les câbles. S'assurer que les câbles sont bien logés à l'intérieur du boîtier et ne sont pas coincés sous le couvercle.

BRANCHEMENT DE L'ARRIVÉE D'EAU AU ROBINET D'ARRÊT DE LA MAISON

REMARQUE : Si l'on utilise un tuyau flexible tressé, remplacer le tuyau d'alimentation après 5 ans d'utilisation pour réduire le risque de défaillance du tuyau. Inscire la date d'installation ou de remplacement du tuyau sur celui-ci, pour référence ultérieure.

46. Fixer la canalisation d'alimentation en eau



Fixer la canalisation d'alimentation en eau (tube de cuivre ou canalisation flexible à tresse d'acier) à la canalisation d'eau chaude à l'aide d'une configuration de raccordement qui soit conforme à tous les codes et règlements locaux. La canalisation d'alimentation en eau raccordée au lave-vaisselle doit comporter un robinet d'arrêt manuel situé sous l'évier.

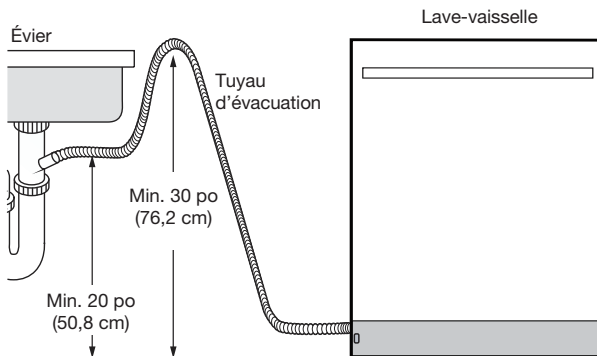
BRANCHEMENT DU TUYAU DE VIDANGE

47. Raccordement du tuyau de vidange

Employer l'une des options suivantes pour raccorder le tuyau d'évacuation sur un raccord T ou sur un broyeur à déchets.

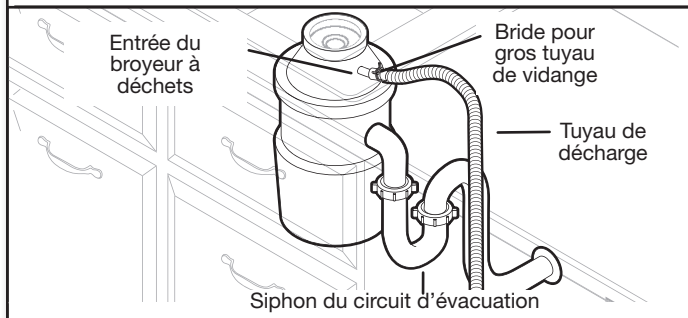
- Option A : Broyeur de déchets – sans brise-siphon
- Option B : Sans broyeur de déchets – sans brise-siphon
- Option C : Broyeur de déchets – avec brise-siphon
- Option D : Sans broyeur de déchets – avec brise-siphon

Conseil utile : Afin de minimiser les vibrations du tuyau, le tenir à distance du plancher.

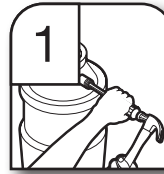


IMPORTANT : Le raccordement du tuyau d'évacuation à la canalisation d'égout en T ou au raccord de broyeur à déchets doit être réalisé en amont du siphon du circuit d'évacuation et à au moins 20 po (50,8 cm) au-dessus du plancher de l'espace d'installation du lave-vaisselle. Le tuyau d'évacuation doit être fixé à au moins 30 po (76,2 cm) du sol et fixé à l'armoire ou à la face inférieure du comptoir.

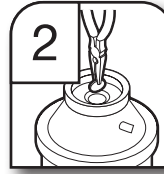
Option A : Broyeur de déchets – sans brise-siphon



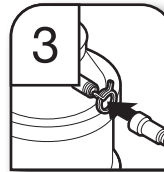
Conseil utile : Ôter l'opercule escamotable du broyeur à déchets.



1. À l'aide d'un marteau et d'un tournevis, enfoncez le bouchon d'obturation dans le broyeur à déchets.

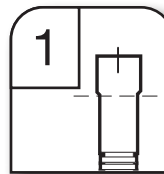
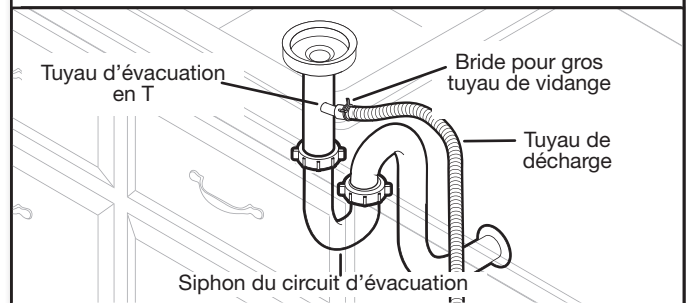


2. Retirez le bouchon d'obturation à l'aide de pinces à pointe biseautée.



3. Fixez le tuyau d'évacuation sur le raccord de broyeur à déchets à l'aide de la grosse bride de tuyau d'évacuation de 1 po (2,5 cm) to 1 1/2 po (3,8 cm) (non fournie).

Option B : Sans broyeur de déchets – sans brise-siphon



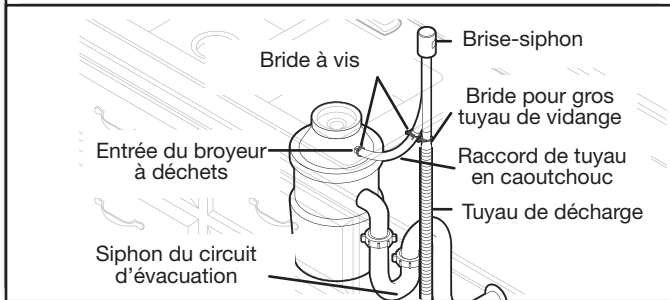
1. Raccordez l'extrémité en caoutchouc du tuyau d'évacuation à la canalisation d'égout en T.

Embout en caoutchouc



2. Fixez l'extrémité en caoutchouc du tuyau d'évacuation à la canalisation d'égout en T à l'aide d'une bride pour tuyau. Utilisez une bride de type à visser de 1 po à 1 1/2 po (2,5 à 3,8 cm) (non fournie).

Option C : Broyeur de déchets – avec brise-siphon



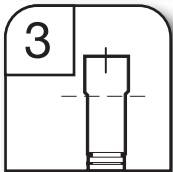
Conseil utile : Ôter l'opercule escamotable du broyeur à déchets.



1. À l'aide d'un marteau et d'un tournevis, enfoncer le bouchon d'obturation dans le broyeur à déchets.



2. Retirer le bouchon d'obturation à l'aide de pinces à pointe biseautée.



3. Raccorder l'extrémité en caoutchouc du tuyau d'évacuation au dispositif de brise-siphon.

Embout en caoutchouc

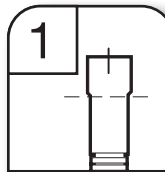
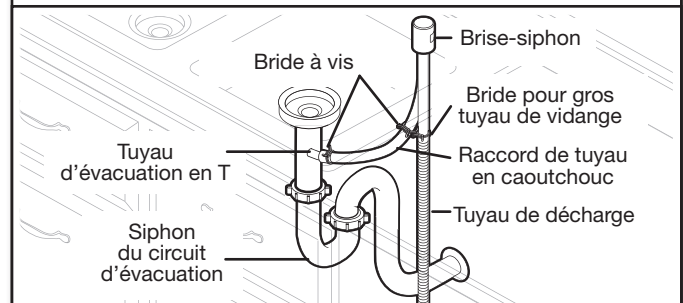


4. Fixer l'extrémité en caoutchouc du tuyau d'évacuation à la brise-siphon à l'aide d'une bride pour tuyau. Utiliser une bride de type à visser de 1 po à 1½ po (2,5 à 3,8 cm) (non fournie).



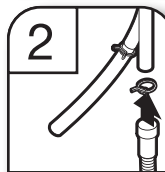
5. Utiliser un tuyau en caoutchouc (non fourni) et une bride à vis pour le raccordement du dispositif de brise-siphon à l'entrée du broyeur à déchets.

Option D : Sans broyeur de déchets – avec brise-siphon

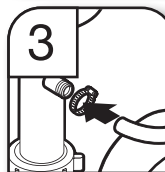


1. Raccorder l'extrémité en caoutchouc du tuyau d'évacuation au dispositif de brise-siphon.

Embout en caoutchouc



2. Fixation du tuyau de vidange au brise-siphon. Utiliser une bride de type à visser de 1 po to 1½ po (2,5 à 3,8 cm).



3. Utiliser un tuyau en caoutchouc (non fourni) et une bride à vis (non fournie) pour le raccordement de la canalisation d'égout en T au dispositif de brise-siphon.

TERMINER L'INSTALLATION

Vérifier l'absence de tout contact entre le conducteur ou le cordon d'alimentation et le moteur du lave-vaisselle ou la partie inférieure de la cuve du lave-vaisselle.

⚠ AVERTISSEMENT



Risque de choc électrique

Brancher sur une prise à 3 alvéoles reliée à la terre.

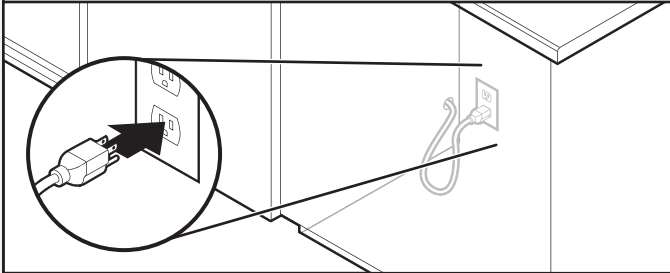
Ne pas enlever la broche de liaison à la terre.

Ne pas utiliser un adaptateur.

Ne pas utiliser un câble de rallonge.

Le non-respect de ces instructions peut causer un décès, un incendie ou un choc électrique.

48. Cordon d'alimentation électrique – brancher dans une prise à trois alvéoles reliée à la terre



Brancher sur une prise de courant à 3 alvéoles, reliée à la terre.

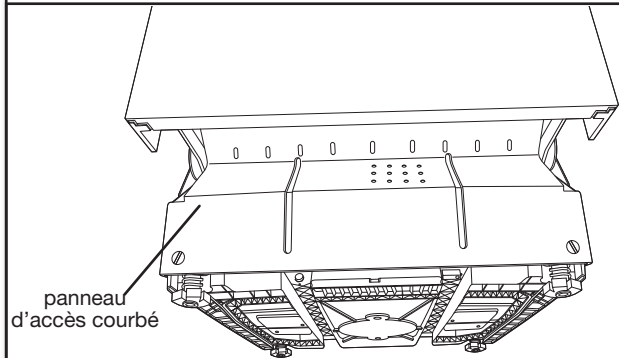
49. Reconnecter la source de courant électrique.

Reconnecter l'alimentation électrique du tableau de distribution (fusible ou disjoncteur).

REMARQUE : Avec le panneau d'accès fermé, mettre le lave-vaisselle en marche et le laisser effectuer complètement le programme de lavage le plus court. Après les deux premières minutes, déverrouiller la porte; attendre cinq secondes, puis ouvrir la porte. Vérifier qu'il y a bien de l'eau au fond de la cuve du lave-vaisselle. Vérifier que le lave-vaisselle fonctionne correctement.

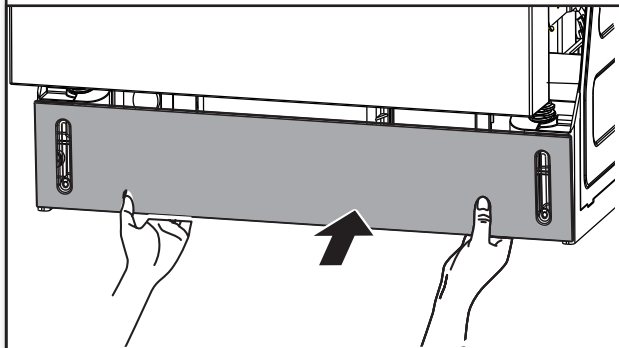
RÉINSTALLER LE PANNEAU D'ACCÈS

50. Installer le panneau d'accès courbé



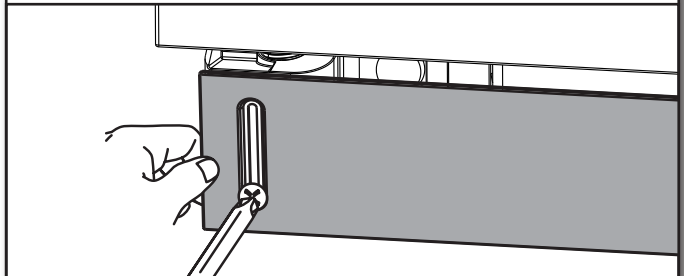
Placer le panneau d'accès courbé contre les pieds du lave-vaisselle.

51. Installer le panneau d'accès plat devant le panneau courbé



Placer le panneau plat devant le panneau courbé. À l'aide d'un tournevis à tête cruciforme, installer les vis à travers les trous du panneau d'accès.

52. Fixer au moyen des vis



Vérifier que la rive inférieure du panneau d'accès est au contact du plancher. La réajuster au besoin.

Serrer les vis du panneau d'accès.

VÉRIFICATION DU FONCTIONNEMENT

- Lire le guide d'utilisation du lave-vaisselle compris avec le lave-vaisselle.
- Vérifier que toutes les pièces ont été installées et qu'aucune étape n'a été omise. Vérifier que tous les outils ont été utilisés.

Si le lave-vaisselle ne fonctionne pas correctement, déconnecter la source de courant électrique ou débrancher le lave-vaisselle et consulter la section "Si le lave-vaisselle ne fonctionne pas".

SI LE LAVE-VAISSELLE NE FONCTIONNE PAS CORRECTEMENT

Essayer d'abord les solutions suggérées ici pour éviter le coût d'une intervention de dépannage.

- Un disjoncteur est-il ouvert ou un fusible grillé?
- La porte est-elle bien fermée et enclenchée?
- Le programme a-t-il été correctement sélectionné pour que le lave-vaisselle puisse se mettre en marche?
- L'arrivée d'eau est-elle ouverte?

Si aucune de ces solutions ne fonctionne, consulter le guide d'utilisation pour obtenir les renseignements de contact pour l'entretien.

CONSEILS SUPPLÉMENTAIRES

Prévoir des durées de séchage plus longues. La durée d'exécution des programmes de votre nouveau lave-vaisselle est d'environ 2 à 5 heures par charge, mais il utilise presque 40 % moins d'énergie que des modèles plus anciens. Conçu pour une faible consommation d'ensemble avec un moteur à faible consommation d'énergie, votre lave-vaisselle lave plus longtemps pour garantir un lavage d'exception. Certains modèles sont dotés d'un capteur optique de niveau d'eau; pour ces modèles, le premier programme doit se calibrer en fonction du capteur optique et est donc plus long que les autres. La sélection de certaines options peut entraîner l'allongement de la durée du programme et mener à une durée totale de plus de 3 heures et demie.

L'agent de rinçage est essentiel pour un séchage satisfaisant. Afin d'obtenir un bon séchage et pour limiter l'accumulation de dépôts d'eau dure, ce lave-vaisselle est conçu pour être utilisé avec un agent de rinçage. Les lave-vaisselle éconergiques consomment moins d'eau et d'énergie. Ils dépendent donc de l'effet "nappe d'eau" d'un agent de rinçage pour fournir un bon séchage.