



4.3 cu. ft. Smart Single Wall Oven

WOS51EC7H



Stainless Steel
WOS51EC7HS

Also available in:



White

WOS51EC7HW



Black

WOS51EC7HB

Capacity

Oven	4.3 cu. ft.
------	-------------

General Features & Properties

Frozen Bake™ Technology

Multi-Step Cooking

Steam Clean option

Scan-to-Connect Technology

Remote Start

Keep Warm Setting

Party mode

Enhanced troubleshooting

Guided service

Electrical Details

Amps	20
------	----

Volts	240
-------	-----

Certifications

Connected/Smart Appliance	Yes
---------------------------	-----

Star-K Certified/Kosher	Yes
-------------------------	-----

Technical Details

Fuel Type	Electric
-----------	----------

Oven Type	Single
-----------	--------

Oven Cooking System	Thermal
---------------------	---------

Number of Oven Racks	2
----------------------	---

Cleaning Type	Self-Cleaning w/Steam
---------------	-----------------------

Dimensions

Product Dimensions (H x W x D)	27" x 27" x 26-3/8"
--------------------------------	---------------------

Depth with Door Open 90°	46-3/4"
--------------------------	---------

Cutout Dimensions (H x W x D)	28" x 25-1/2" x 24"
-------------------------------	---------------------

Reference Material

[Install Guide](#)

[Use & Care Guide](#)

[Energy Guide](#)

Key Features & Benefits

Smart Appliance

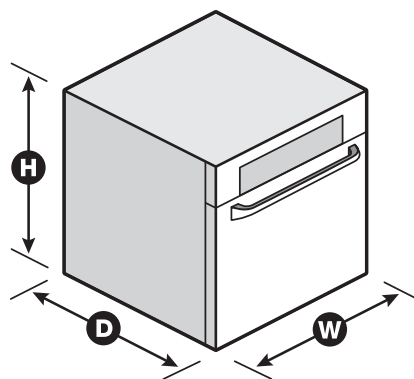
Care smarter with connected features that let you send cooking instructions to the oven from your smartphone, control your kitchen with voice commands using a compatible voice-enabled device* or skip preheating.

Touchscreen

Get instant access to the settings you use most with a touchscreen that learns, adapts and suggests customized presets based on your family's routines.

Voice Control with a Compatible Voice-Enabled Device**

Control your kitchen no matter what you've got on your hands with simple voice commands using the Google Assistant or an Alexa-enabled device.



*Appliance must be set to remote enable. WiFi & App Required. Features subject to change. Details and privacy info at whirlpool.com/connect. **U.S. Only. NOTE: Dimensions are for planning purposes only. For complete details, see Installation Instructions packed with product. Specifications subject to change without notice.