

DVE50B5100V

SAMSUNG

7.4 cu. ft. Electric Dryer with Sensor Dry



Available Color



Brushed Black
DVE50B5100V

Features

- Sensor Dry
- 10 Preset Drying Cycles
- Smart Care*
- Large 7.4 cu. ft. Capacity
- Lint Filter Indicator
- Internal Drum Light
- Reversible Dryer Door
- 10 Total Drying Cycles
- 3 Options
- 4 Temperature Settings
- 4-Way Venting

Convenience

- Child Lock
- Lint Filter Indicator

Rating

644 kWh/yr

Electrical Requirements

240 V / 60 Hz

30 Amps

Specifications

10 Preset Drying Cycles:

Normal, Heavy Duty, Permanent Press, Bedding, Delicates, Sanitize, Time Dry, Air Fluff, Small Load, Wrinkle Release

3 Options:

Wrinkle Prevent, Child Lock, Smart Care

4 Temperature Settings:

High, Medium, Low, Extra Low

4 Dry Levels:

Extra Dry, More Dry, Normal Dry, Damp Dry

Warranty

One (1) Year Parts and Labor

Product Dimensions & Weight (WxHxD)

Dimensions: 27" x 46³/₁₆" x 30¹/₄"

Weight: 119.0 lbs

Shipping Dimensions & Weight (WxHxD)

Dimensions: 29⁹/₁₆" x 47⁷/₈" x 31³/₁₆"

Weight: 125.7 lbs

Electric Dryer	Model #	UPC Code
Brushed Black	DVE50B5100V	887276658704
Gas Dryer		
Brushed Black	DVG50B5100V	887276658728
Matching Washer		
Brushed Black	WA50B5100AV	887276661032
Matching Agitator Washer		
Brushed Black	WA49B5105AV	887276661308
Optional Accessories		
Vent Kit	DV-2A	887276146416

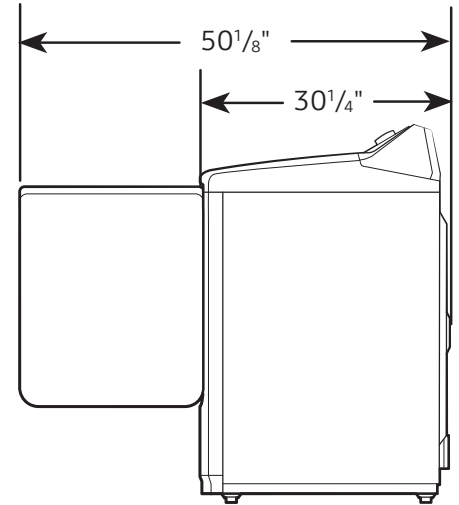
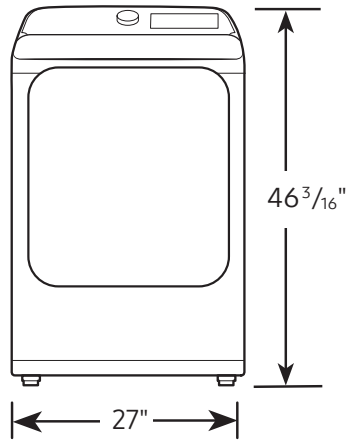
DVE50B5100V

SAMSUNG

7.4 cu. ft. Electric Dryer with Sensor Dry

Dimensions

Required dimensions for installation:

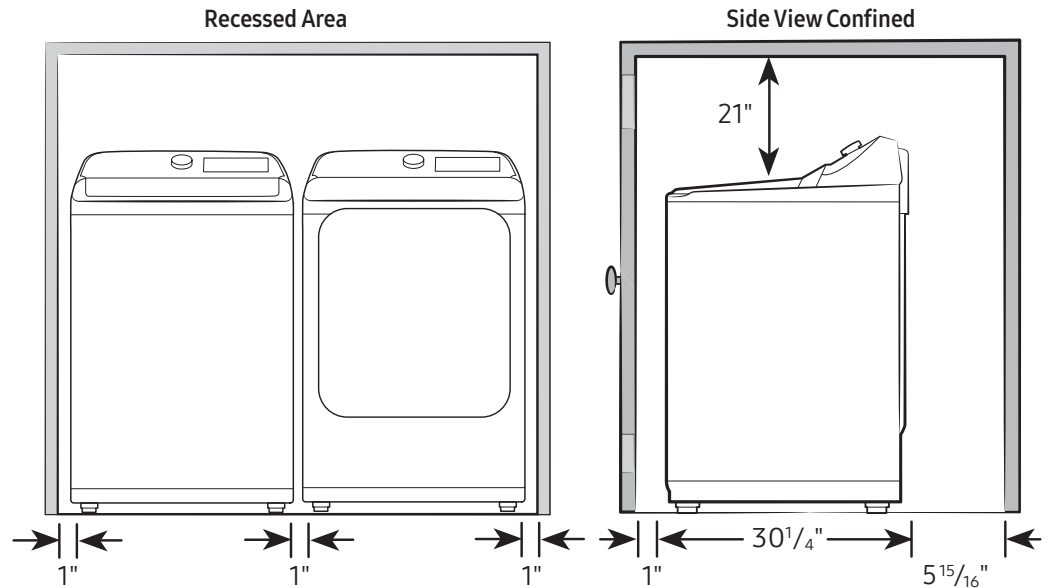


Installation Specifications – Side-by-Side

If the washer and dryer are installed together or the dryer alone, the closet front must have two unobstructed air openings for a combined minimum total area of 72-inch². Your washer alone does not require a specific air opening.

Alcove or closet installation

Minimum clearance for closet and alcove installations:

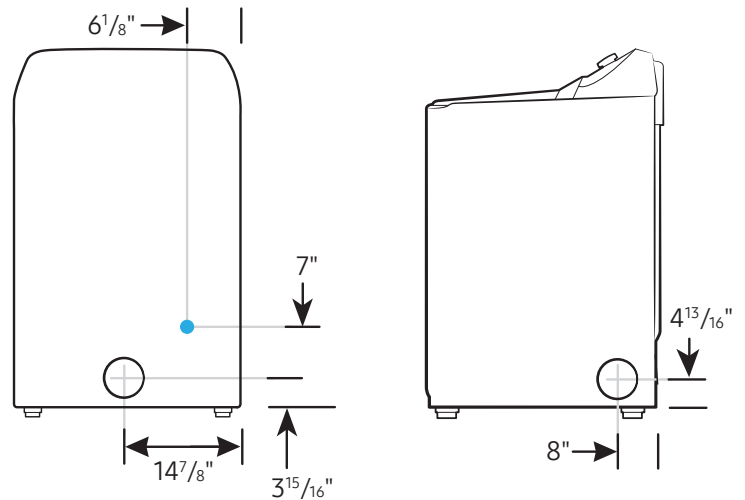


Connection Dimensions

Back and Side View of Electric Dryer

LEGEND:

● Cold Water Connection



Actual color may vary. Design, specifications, and color availability are subject to change without notice. Non-metric weights and measurements are approximate.

©2022 Samsung Electronics America, Inc., 85 Challenger Road, Ridgefield Park, NJ 07660. Tel: 800-SAMSUNG.samsung.com. Samsung is a registered trademark of Samsung Electronics Co., Ltd.