

AUTOMATIC ICE MAKER INSTALLATION INSTRUCTIONS

An authorized service technician is recommended to install the Ice Maker Kit.

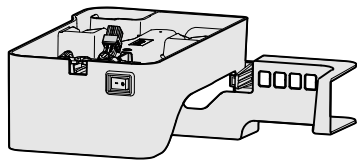
Tools Needed:

- Phillips Screwdriver
- Flat-head Screwdriver
- ¼-inch Socket Wrench or Nut Driver
- Adjustable Wrench

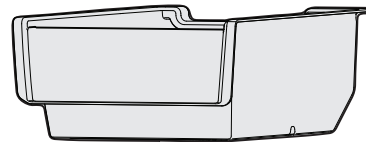
Kit Components

Cobra FRZ IM Numbers:

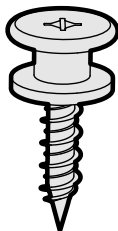
- CD: IMKFD23A
- SD: IMKFD28A



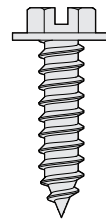
B. Ice Maker (x1)



C. Ice Bucket (x1)



E. Shoulder Screws (x2)



F. Screw (x1)

Automatic Ice Maker Installation

1. Unplug refrigerator from electrical outlet.

NOTE

We recommend the freezer door and freezer baskets be removed before proceeding with the installation. Please refer to 'Removing Freezer Drawer' in the "Removing the Doors" section and 'Freezer Features' in the "Storage Features" section in the Use & Care Manual.

2. Use Phillips screwdriver to install two shoulder screws (E) in the upper rear holes. Turn until shoulder screws are in firm contact with freezer wall. (See Figure 1).

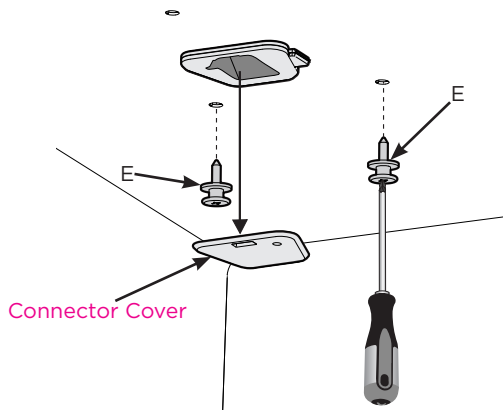


Figure 1

3. Remove the connector cover.
4. Plug the ice maker connector into the connector in the freezer compartment.
5. Hang the ice maker and bracket assembly loosely on the shoulder screws using the keyhole slots in the bracket.
6. Push the Ice Maker and bracket assembly toward the rear of the freezer compartment to seat the keyhole slots firmly onto the shoulder screws (See Figure 2).

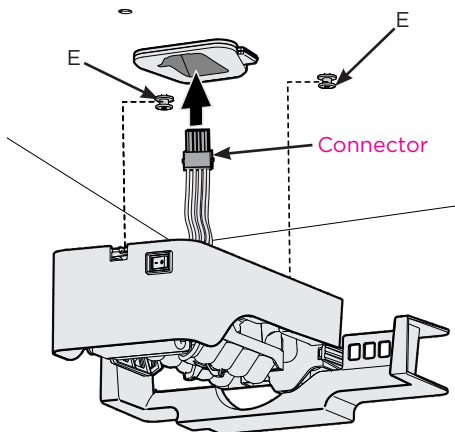


Figure 2

7. Insert and tighten screw (F) in outermost hole on bracket to fasten it to the upper side of freezer wall. (See Figure 3).

NOTE

Verify the switch is in the ON position.

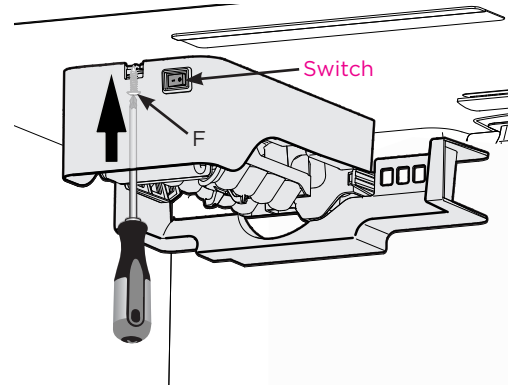


Figure 3

8. Follow steps in Use & Care Manual to reinstall door and add baskets.
9. Put Ice Bucket (C) on basket as shown in Figure 4.

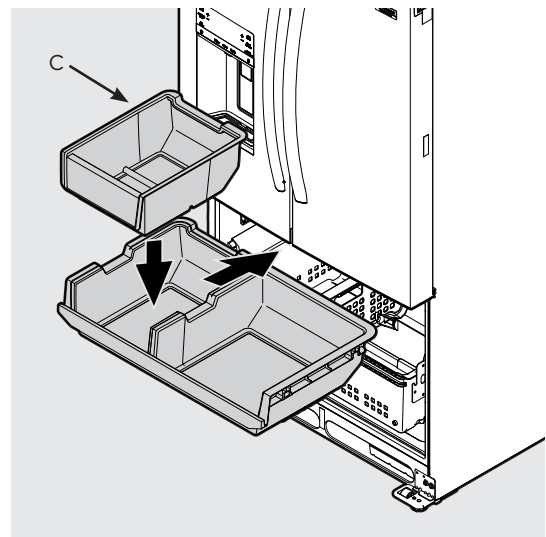


Figure 4

Connecting Ice Maker to Water Supply

WARNING

To avoid electric shock, which can cause death or severe personal injury, disconnect the refrigerator from electrical power before connecting a water supply line to the refrigerator.

CAUTION

To Avoid Property Damage:

- Copper or Stainless Steel braided tubing is recommended for the water supply line. Water supply tubing made of ¼ inch plastic is not recommended to be used. Plastic tubing greatly increases the potential for water leaks, and the manufacturer will not be responsible for any damage if plastic tubing is used for the supply line.
- DO NOT install water supply tubing in areas where temperatures fall below freezing.
- Chemicals from a malfunctioning softener can damage the ice maker. If the ice maker is connected to soft water, ensure that the softener is maintained and working properly.

IMPORTANT

Ensure that your water supply line connections comply with all local plumbing codes.

Before Installing The Water Supply Line, You Will Need:

- **Basic Tools:** adjustable wrench, flat-head screwdriver, and Phillips screwdriver
- Access to a household cold water line with water pressure between 30 and 100 psi.
- A water supply line made of ¼ inch (6.4mm) OD, copper or stainless steel tubing. To determine the length of tubing needed, measure the distance from the ice maker inlet valve at the back of the refrigerator to your cold water pipe. Then add approximately 7 feet (2.1 meters), so the refrigerator can be moved out for cleaning (as shown).
- A shutoff valve to connect the water supply line to your household water system. DO NOT use a self-piercing type shutoff valve.
- Do not reuse compression fitting or use thread seal tape.
- A compression nut and ferrule (sleeve) for connecting a copper water supply line to the ice maker inlet valve.

NOTE

Check with your local building authority for recommendations on water lines and associated materials prior to installing your new refrigerator. Depending on your local/state building codes, Electrolux recommends for homes with existing valves its Smart Choice® water line kit 5305513409 (with a 6 ft. Stainless Steel Water Line) and for homes without an existing valve, Electrolux recommends its Smart Choice Water® line kit 5304490717 (with a 20 ft. Copper Water Line with self-tapping saddle valve). Please refer to www.electrolux.com for more information.

To Connect Water Supply Line To Ice Maker Inlet Valve

1. Disconnect refrigerator from electric power source.
2. Place end of water supply line into sink or bucket. Turn ON water supply and flush supply line until water is clear. Turn OFF water supply at shutoff valve.
3. Remove plastic cap from water valve inlet and discard cap.
4. If you use copper tubing - Slide brass compression nut, then ferrule (sleeve) onto water supply line. Push water supply line into water valve inlet as far as it will go (¼ inch/6.4 mm). Slide ferrule (sleeve) into valve inlet and finger tighten compression nut onto valve. Tighten another half turn with a wrench; DO NOT overtighten. See Figure 1.

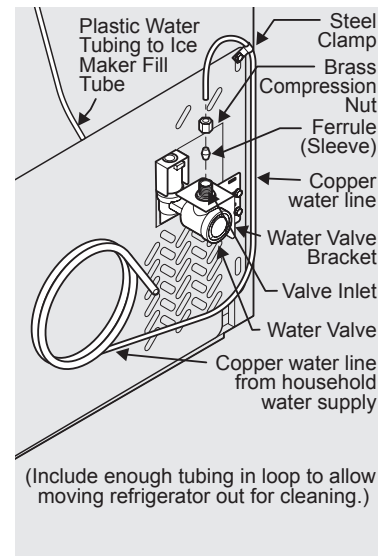


Figure 1

- If you use braided flexible stainless steel tubing - The nut is already assembled on the tubing. Slide nut onto valve inlet and finger tighten nut onto valve. Tighten another half turn with a wrench; DO NOT overtighten. See Figure 2.

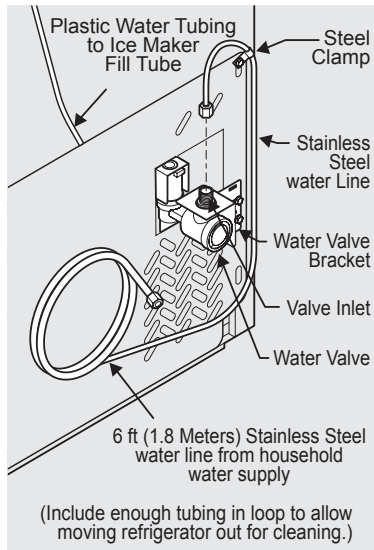


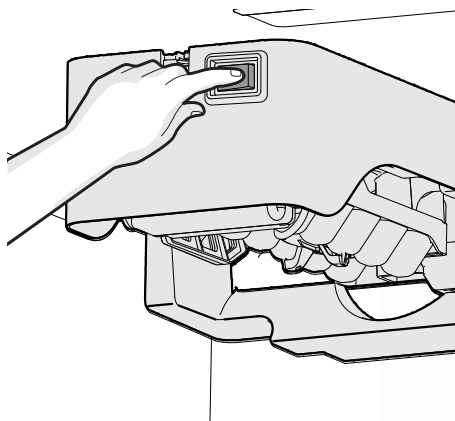
Figure 2

- With steel clamp and screw, secure water supply line (copper tubing only) to rear panel of refrigerator as shown.
- Coil excess water supply line (copper tubing only), about 2½ turns, behind refrigerator as shown and arrange coils so they do not vibrate or wear against any other surface.
- Turn ON water supply at shutoff valve and tighten any connections that leak.
- Reconnect refrigerator to electrical power source.
- To turn ice maker ON, set the ice maker's ON/OFF power switch to the "I" position.

Automatic Ice Maker Tips

Remember that water quality determines your ice quality.

To stop the Ice Maker, press the switch to the "O" position. The ice maker turns off automatically when the ice container is full.



NOTE

Allow 24 hours for Ice Maker to make the first batch of ice. Once the first batch is made, please discard.

Ice Maker Tips

- Ice stored too long may develop an odd flavor. Empty the container. The Ice Maker will then produce more ice.
- Occasionally shake the bucket to keep ice cubes separated.
- Keep the Ice Maker in the OFF position until the refrigerator is connected to the water supply or whenever the water supply is turned off.
- The following sounds are normal when the Ice Maker is operating:

Motor running

Ice loosening from tray

Ice dropping into ice container

Running water

Water valve opening or closing

CAUTION

DO NOT place the ice bucket in your dishwasher.

- Wash ice bucket in warm water with mild detergent. Rinse well and dry.
- Turn OFF Ice Maker when cleaning the freezer or for short vacations.
- If the Ice Maker will be turned off for a long period of time, turn the water supply valve to the closed position.