

Legends Furniture

Part#: DV4110.HZD

Part Description: DV4110 Deer Valley End Table

Date: 09/22/2022

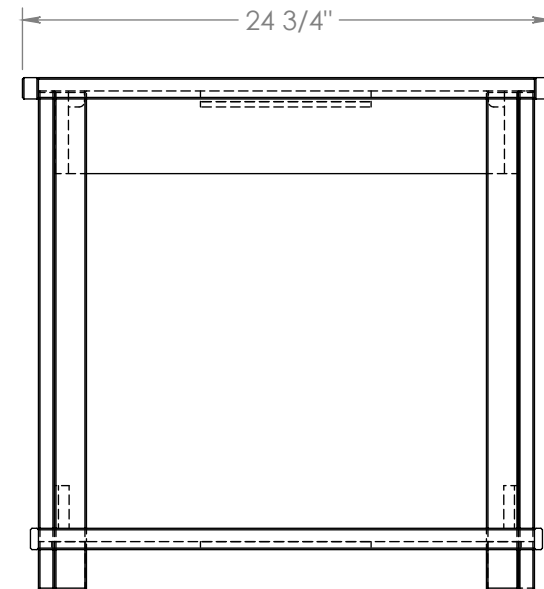
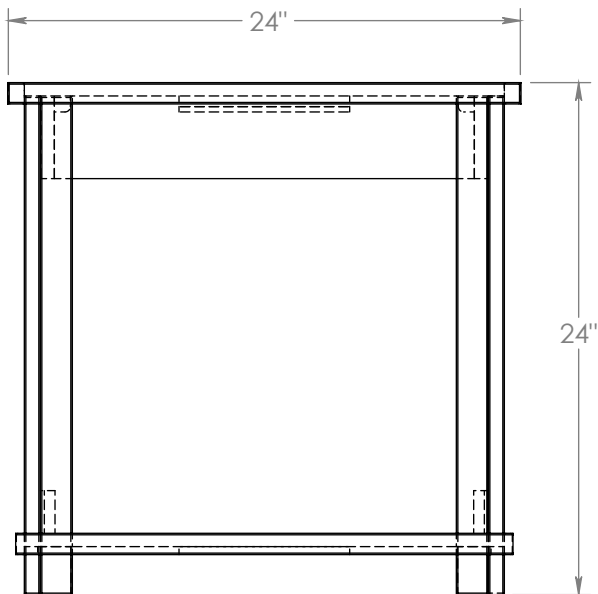
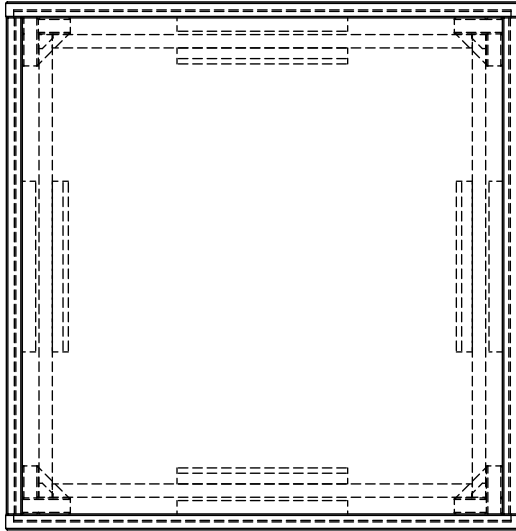
Material: Wire Brushed

Width: 24"

Height: 24"

Depth: 24 3/4"

Drawn By: dhoffmann



Legends Furniture

Part#: DV4110.HZD

Part Description: DV4110 Deer Valley End Table

Date: 09/22/2022

Material: Wire Brushed

Width: 24"

Height: 24"

Depth: 24 3/4"

Drawn By: dhoffmann

ITEM	QTY.	PART NO.	DESCRIPTION	MATERIAL	R-THK	R-WID	R-LENG	F-THK	F-WID	F-LENG
1	2	DV4110-S	DV4110 Side Panel	C2 x 5/8 Oak P-Board				5/8"	3 7/8"	21 11/16"
2	2	DV4110-YF	DV4110 Front Apron Panel	C2 x 5/8 Oak P-Board				5/8"	3 7/8"	19 11/16"
3	4	DV4110-SA-U	DV4110 Sub Assembled Leg	Sub Assembly	N/A	N/A	N/A	N/A	N/A	N/A
	1	DV4110-MVGW	DV4110 Wide Long Leg Molding	#520 Oak Molding				3/4"	2 1/4"	23 3/8"
	1	DV4110-MVGN	DV4110 Narrow Long Leg Molding	#519 Oak Molding				3/4"	1 1/2"	23 3/8"
	1	DV4110-MVIS	DV4110 Inside Angled Leg Nailer Molding	#496 Pine Molding				1 7/16"	1 7/16"	2 1/4"
4	1	DV4110-B	DV4110 Bottom Panel	C2 x 5/8 Oak P-Board				5/8"	23 1/4"	22 1/2"
5	1	DV4110-T	DV4110 Top Panel	C2 x 5/8 Oak P-Board				5/8"	23 1/4"	22 1/2"
6	2	DV4110-MBZ	DV4110 Side Bottom Deco Molding	#503 Oak Molding				3/8"	1"	23 1/4"
7	2	DV4110-MBF	DV4110 Front Bottom Deco Molding	#503 Oak Molding				3/8"	1"	23 5/16"
8	2	DV4110-MTZ	DV4110 Top Side Molding	#510 Oak Molding				3/4"	1"	23 1/4"
9	2	DV4110-MTF	DV4110 Front Top Molding	#510 Oak Molding				3/4"	1"	24 1/16"
10	4	10101	10101 Pine Nailers	#499 Pine Molding				3/4"	3/4"	8"
11	4	10180	10180 Oak Nailers Block	#502 Oak Molding				3/8"	5/8"	8"
12	4	10267	10267 Angled Corner Nailers	#528 Oak Molding				11/16"	11/16"	2"
13	1	DV4110-SA-P	DV4110 Packaging	Sub Assembly	N/A	N/A	N/A	N/A	N/A	N/A
	1	DV4110-P	DV4110 Cardboard Carton	Double Wall Cardboard				26 3/4"	27"	26"
	1	88163	Pack Cost	Raw Material				N/A	N/A	N/A

